



# *Sitronix*

# ST7789S

---

**240RGB x 320 dot 262K Color with Frame Memory  
Single-Chip TFT Controller/Driver**

---

## **Datasheet**

**Version 1.5  
2013/04**

**Sitronix Technology Corporation**

Sitronix Technology Corp. reserves the right to change the contents in this document without prior notice.

**LIST OF CONTENT**

**1 GENERAL DESCRIPTION..... 11**

**2 FEATURES ..... 12**

**3 PAD ARRANGEMENT ..... 14**

    3.1 OUTPUT BUMP DIMENSION ..... 14

    3.2 INPUT BUMP DIMENSION ..... 15

    3.3 ALIGNMENT MARK DIMENSION ..... 16

    3.4 CHIP INFORMATION ..... 16

**4 PAD CENTER COORDINATES ..... 17**

**5 BLOCK DIAGRAM ..... 30**

**6 PIN DESCRIPTION ..... 31**

    6.1 POWER SUPPLY PINS ..... 31

    6.2 INTERFACE LOGIC PINS ..... 32

    6.3 DRIVER OUTPUT PINS ..... 35

    6.4 TEST AND OTHER PINS ..... 35

**7 DRIVER ELECTRICAL CHARACTERISTICS..... 36**

    7.1 ABSOLUTE OPERATION RANGE ..... 36

    7.2 DC CHARACTERISTICS ..... 37

    7.3 POWER CONSUMPTION ..... 39

    7.4 AC CHARACTERISTICS ..... 40

        7.4.1 8080 Series MCU Parallel Interface Characteristics: 18/16/9/8-bit Bus ..... 40

        7.4.2 Serial Interface Characteristics (3-line serial): ..... 42

        7.4.3 Serial Interface Characteristics (4-line serial): ..... 43

        7.4.4 RGB Interface Characteristics: ..... 45

        7.4.5 Reset Timing: ..... 46

**8 FUNCTION DESCRIPTION..... 48**

    8.1 MPU INTERFACE TYPE SELECTION ..... 48

    8.2 8080- I SERIES MCU PARALLEL INTERFACE ..... 49

        8.2.1 Write cycle sequence ..... 49

        8.2.2 Read cycle sequence ..... 50

    8.3 8080- II SERIES MCU PARALLEL INTERFACE ..... 52

    8.4 SERIAL INTERFACE ..... 53

        8.4.1 Pin description ..... 53

        8.4.2 Command write mode ..... 54

8.4.3	Read function .....	56
8.4.4	3-line serial interface I/II protocol.....	56
8.4.5	4-line serial protocol .....	58
8.4.6	2 data lane serial Interface.....	60
<b>8.5</b>	<b>DATA TRANSFER BREAK AND RECOVERY .....</b>	<b>64</b>
<b>8.6</b>	<b>DATA TRANSFER PAUSE .....</b>	<b>66</b>
8.6.1	Parallel interface pause.....	66
<b>8.7</b>	<b>DATA TRANSFER MODE .....</b>	<b>66</b>
8.7.1	Method 1 .....	66
8.7.2	Method 2 .....	67
<b>8.8</b>	<b>DATA COLOR CODING.....</b>	<b>68</b>
8.8.1	8080- I series 8-bit Parallel Interface .....	68
8.8.2	8-bit data bus for 12-bit/pixel (RGB 4-4-4-bit input), 4K-Colors, 3Ah="03h" .....	68
8.8.3	8-bit data bus for 16-bit/pixel (RGB 5-6-5-bit input), 65K-Colors, 3Ah="05h" .....	69
8.8.4	8-bit data bus for 18-bit/pixel (RGB-6-6-6-bit input), 262K-Colors, 3Ah="06h" .....	70
8.8.5	8080- II series 8-bit Parallel Interface .....	71
8.8.6	8-bit data bus for 16-bit/pixel (RGB 5-6-5-bit input), 65K-Colors, 3Ah="05h" .....	71
8.8.7	8-bit data bus for 18-bit/pixel (RGB 6-6-6-bit input), 262K-Colors, 3Ah="06h" .....	72
8.8.8	8080- I series 16-Bit Parallel Interface .....	73
8.8.9	16-bit data bus for 12-bit/pixel (RGB 4-4-4-bit input), 4K-Colors, 3Ah="03h" .....	74
8.8.10	16-bit data bus for 16-bit/pixel (RGB 5-6-5-bit input) 65K-Color, 3Ah="05h" .....	75
8.8.11	16-bit data bus for 18-bit/pixel (RGB-6-6-6-bit input), 262K-Colors, 3Ah="06h", MDT[1:0]="00b" .....	76
8.8.12	16-bit data bus for 18-bit/pixel (RGB-6-6-6-bit input), 262K-Colors, 3Ah="06h", MDT[1:0]="01b" .....	77
8.8.13	16-bit data bus for 18-bit/pixel (RGB-6-6-6-bit input), 262K-Colors, 3Ah="06h", MDT[1:0]="10b" .....	78
8.8.14	16-bit data bus for 18-bit/pixel (RGB-6-6-6-bit input), 262K-Colors, 3Ah="06h", MDT[1:0]="11b" .....	79
8.8.15	8080- II series 16-Bit Parallel Interface .....	80
8.8.16	16-bit data bus for 16-bit/pixel (RGB 5-6-5-bit input) 65K-Color, 3Ah="05h" .....	80
8.8.17	16-bit data bus for 18-bit/pixel (RGB-6-6-6-bit input), 262K-Colors, 3Ah="06h", MDT[1:0]="00b" .....	81
8.8.18	16-bit data bus for 18-bit/pixel (RGB-6-6-6-bit input), 262K-Colors, 3Ah="06h", MDT[1:0]="01b" .....	82
8.8.19	16-bit data bus for 18-bit/pixel (RGB-6-6-6-bit input), 262K-Colors, 3Ah="06h", MDT[1:0]="10b" .....	82
8.8.20	16-bit data bus for 18-bit/pixel (RGB-6-6-6-bit input), 262K-Colors, 3Ah="06h", MDT[1:0]="11b" .....	84
8.8.21	8080- I series 9-Bit Parallel Interface .....	85
8.8.22	Write 9-bit data for RGB 5-6-5-bit input (65K-Color), 3Ah="05h" .....	85
8.8.23	Write 9-bit data for RGB 6-6-6-bit input (262K-Color), 3Ah="06h", MDT[1:0]="00b" .....	86
8.8.24	Write 9-bit data for RGB 6-6-6-bit input (262K-Color), 3Ah="06h", MDT[1:0]="01b" .....	87
8.8.25	8080- II series 9-bit Parallel Interface .....	88
8.8.26	Write 9-bit data for RGB 5-6-5-bit input (65K-Color), 3Ah="05h" .....	88
8.8.27	Write 9-bit data for RGB 6-6-6-bit input (262K-Color), 3Ah="06h", MDT[1:0]="00b" .....	89

8.8.28	Write 9-bit data for RGB 6-6-6-bit input (262K-Color), 3Ah="06h", MDT[1:0]="01b".....	90
8.8.29	8080- I series 18-Bit Parallel Interface.....	91
8.8.30	18-bit data bus for 12-bit/pixel (RGB-4-4-4-bit input), 4K-colors, 3Ah="03h".....	92
8.8.31	18-bit data bus for 16-bit/pixel (RGB-5-6-5-bit input), 65K-colors, 3Ah="05h".....	93
8.8.32	18-bit data bus for 18-bit/pixel (RGB-6-6-6-bit input), 262K-colors, 3Ah="06h".....	94
8.8.33	8080- II series 18-Bit Parallel Interface.....	95
8.8.34	18-bit data bus for 16-bit/pixel (RGB-5-6-5-bit input), 65K-colors, 3Ah="05h".....	96
8.8.35	18-bit data bus for 18-bit/pixel (RGB-6-6-6-bit input), 262K-colors, 3Ah="06h".....	97
8.8.36	3-Line Serial Interface.....	98
8.8.37	Write data for 12-bit/pixel (RGB-4-4-4 bit input), 4K-Colors, 3Ah="03h".....	98
8.8.38	Write data for 16-bit/pixel (RGB 5-6-5-bit input), 65K-Colors, 3Ah="05h".....	99
8.8.39	Write data for 18-bit/pixel (RGB-6-6-6-bit input), 262K-Colors, 3Ah="06h".....	99
8.8.40	4-Line Serial Interface.....	100
8.8.41	Write data for 12-bit/pixel (RGB 4-4-4-bit input), 4K-Colors, 3Ah="03h".....	100
8.8.42	Write data for 16-bit/pixel (RGB-5-6-5-bit input), 65K-Colors, 3Ah="05h".....	101
8.8.43	Write data for 18-bit/pixel (RGB-6-6-6-bit input), 262K-Colors, 3Ah="06h".....	102
<b>8.9</b>	<b>RGB INTERFACE.....</b>	<b>103</b>
8.9.1	RGB interface Selection.....	103
8.9.2	RGB Color Format.....	103
8.9.3	RGB Interface Definition.....	109
8.9.4	RGB Interface Mode Selection.....	110
8.9.5	RGB Interface Timing.....	110
<b>8.10</b>	<b>VSYNC INTERFACE.....</b>	<b>113</b>
8.10.1	18-bit RGB Interface.....	113
8.10.2	VSYNC Interface Mode.....	115
<b>8.11</b>	<b>DISPLAY DATA RAM.....</b>	<b>117</b>
8.11.1	Configuration.....	117
8.11.2	Memory to display address mapping.....	118
<b>8.12</b>	<b>ADDRESS CONTROL.....</b>	<b>119</b>
<b>8.13</b>	<b>NORMAL DISPLAY ON OR PARTIAL MODE ON, VERTICAL SCROLL OFF.....</b>	<b>121</b>
<b>8.14</b>	<b>VERTICAL SCROLL MODE.....</b>	<b>123</b>
8.14.1	Rolling scroll.....	123
8.14.2	Vertical Scroll Example.....	125
<b>8.15</b>	<b>TEARING EFFECT.....</b>	<b>127</b>
8.15.1	Tearing effect line modes.....	127
8.15.2	Tearign effect line timings.....	128
8.15.3	Example 1: MPU Write is faster than panel read.....	129
8.15.4	Example 2: MPU write is slower than panel read.....	130

8.16	POWER ON/OFF SEQUENCE .....	131
8.16.1	Uncontrolled Power Off .....	132
8.17	POWER LEVEL DEFINITION .....	133
8.17.1	Power Level.....	133
8.18	POWER FLOW CHART .....	134
8.19	GAMMA CORRECTION .....	135
8.20	GRAY VOLTAGE GENERATOR FOR DIGITAL GAMMA CORRECTION.....	140
8.21	DISPLAY DIMMING .....	141
8.21.1	General Description.....	141
8.21.2	Dimming Requirement.....	141
8.21.3	Definition of brightness transition time.....	143
8.22	CONTENT ADAPTIVE BRIGHTNESS CONTROL (CABC) .....	144
8.22.1	Definition of CABC .....	144
8.22.2	Minimum brightness setting of CABC function .....	148
<b>9</b>	<b>COMMAND .....</b>	<b>150</b>
9.1	SYSTEM FUNCTION COMMAND TABLE 1.....	150
9.1.1	NOP (00h).....	155
9.1.2	SWRESET (01h): Software Reset.....	156
9.1.3	RDDID (04h): Read Display ID.....	158
9.1.4	RDDST (09h): Read Display Status .....	160
9.1.5	RDDPM (0Ah): Read Display Power Mode .....	163
9.1.6	RDDMADCTL (0Bh): Read Display MADCTL .....	165
9.1.7	RDDCOLMOD (0Ch): Read Display Pixel Format.....	167
9.1.8	RDDIM (0Dh): Read Display Image Mode.....	169
9.1.9	RDDSM (0Eh): Read Display Signal Mode .....	171
9.1.10	RDDSDR (0Fh): Read Display Self-Diagnostic Result.....	173
9.1.11	SLPIN (10h): Sleep in.....	175
9.1.12	SLPOUT (11h): Sleep Out.....	177
9.1.13	PTLON (12h): Partial Display Mode On .....	179
9.1.14	NORON (13h): Normal Display Mode On.....	180
9.1.15	INVOFF (20h): Display Inversion Off.....	181
9.1.16	INVON (21h): Display Inversion On.....	183
9.1.17	GAMSET (26h): Gamma Set.....	185
9.1.18	DISPOFF (28h): Display Off.....	187
9.1.19	DISPON (29h): Display On.....	189
9.1.20	CASET (2Ah): Column Address Set.....	191
9.1.21	RASET (2Bh): Row Address Set.....	193

9.1.22	<i>RAMWR (2Ch): Memory Write</i> .....	195
9.1.23	<i>RAMRD (2Eh): Memory Read</i> .....	197
9.1.24	<i>PTLAR (30h): Partial Area</i> .....	199
9.1.25	<i>VSCRDEF (33h): Vertical Scrolling Definition</i> .....	201
9.1.26	<i>TEOFF (34h): Tearing Effect Line OFF</i> .....	204
9.1.27	<i>TEON (35h): Tearing Effect Line On</i> .....	206
9.1.28	<i>MADCTL (36h): Memory Data Access Control</i> .....	208
9.1.29	<i>VSCSAD (37h): Vertical Scroll Start Address of RAM</i> .....	211
9.1.30	<i>IDMOFF (38h): Idle Mode Off</i> .....	213
9.1.31	<i>IDMON (39h): Idle mode on</i> .....	215
9.1.32	<i>COLMOD (3Ah): Interface Pixel Format</i> .....	217
9.1.33	<i>WRMEMC (3Ch): Write Memory Continue</i> .....	218
9.1.34	<i>RDMEMC (3Eh): Read Memory Continue</i> .....	220
9.1.35	<i>STE (44h): Set Tear Scanline</i> .....	222
9.1.36	<i>GSCAN (45h): Get Scanline</i> .....	224
9.1.37	<i>WRDISBV (51h): Write Display Brightness</i> .....	226
9.1.38	<i>RDDISBV (52h): Read Display Brightness Value</i> .....	228
9.1.39	<i>WRCTRLD (53h): Write CTRL Display</i> .....	230
9.1.40	<i>RDCTRLD (54h): Read CTRL Value Display</i> .....	232
9.1.41	<i>WRCACE (55h): Write Content Adaptive Brightness Control and Color Enhancement</i> .....	234
9.1.42	<i>RDCABC (56h): Read Content Adaptive Brightness Control</i> .....	236
9.1.43	<i>WRCABCMB (5Eh): Write CABC Minimum Brightness</i> .....	238
9.1.44	<i>RDCABCMB (5Fh): Read CABC Minimum Brightness</i> .....	240
9.1.45	<i>RDID1 (Dah): Read ID1</i> .....	241
9.1.46	<i>RDID2 (DBh): Read ID2</i> .....	242
9.1.47	<i>RDID3 (DCh): Read ID3</i> .....	243
<b>9.2</b>	<b>SYSTEM FUNCTION COMMAND TABLE 2</b> .....	<b>244</b>
9.2.1	<i>RAMCTRL (B0h): RAM Control</i> .....	249
9.2.2	<i>RGBCTRL (B1h): RGB Interface Control</i> .....	252
9.2.3	<i>PORCTRL (B2h): Porch Setting</i> .....	254
9.2.4	<i>FRCTRL1 (B3h): Frame Rate Control 1 (In partial mode/ idle colors)</i> .....	255
9.2.5	<i>GCTRL (B7h): Gate Control</i> .....	257
9.2.6	<i>DGMEN (Bah): Digital Gamma Enable</i> .....	259
9.2.7	<i>VCOMS (BBh): VCOM Setting</i> .....	260
9.2.8	<i>LCMCTRL (C0h): LCM Control</i> .....	262
9.2.9	<i>IDSET (C1h): ID Code Setting</i> .....	263
9.2.10	<i>VDVVRHEN (C2h): VDV and VRH Command Enable</i> .....	264
9.2.11	<i>VRHS (C3h): VRH Set</i> .....	265

9.2.12 VDVS (C4h): VDV Set..... 267

9.2.13 VCMOFSET (C5h): VCOM Offset Set..... 269

9.2.14 FRCTRL2 (C6h): Frame Rate Control in Normal Mode..... 271

9.2.15 CABCTRL (C7h): CAB Control..... 273

9.2.16 REGSEL1 (C8h): Register Value Selection 1..... 274

9.2.17 REGSEL2 (Cah): Register Value Selection 2..... 275

9.2.18 PWCTRL1 (D0h): Power Control 1..... 276

9.2.19 VAPVANEN (D2h): Enable VAP/VAN signal output..... 278

9.2.20 PVGAMCTRL (E0h): Positive Voltage Gamma Control ..... 279

9.2.21 NVGAMCTRL (E1h): Negative Voltage Gamma Control..... 281

9.2.22 DGMLUTR (E2h): Digital Gamma Look-up Table for Red..... 283

9.2.23 DGMLUTB (E3h): Digital Gamma Look-up Table for Blue ..... 285

9.2.24 GATECTRL (E4h): Gate Control ..... 287

9.2.25 SPI2EN (E7h): SPI2 Enable..... 289

9.2.26 PWCTRL2 (E8h): Power Control 2..... 290

9.2.27 EQCTRL (E9h): Equalize time control..... 291

9.2.28 PROMCTRL (ECh): Program Mode Control..... 292

9.2.29 PROMEN (FAh): Program Mode Enable..... 293

9.2.30 NVMSET (FCh): NVM Setting ..... 294

9.2.31 PROMACT (FEh): Program action ..... 295

**10 APPLICATION..... 296**

10.1 CONFIGURATION OF POWER SUPPLY CIRCUIT..... 296

10.2 VOLTAGE GENERATION..... 297

10.3 RELATIONSHIP ABOUT SOURCE VOLTAGE ..... 298

10.4 APPLIED VOLTAGE TO THE TFT PANEL ..... 299

**11 REVISION HISTORY ..... 300**

**LIST OF FIGURES**

Figure 1 Parallel Interface Timing Characteristics (8080-Series MCU Interface)..... 40

Figure 2 Rising and Falling Timing for I/O Signal ..... 41

Figure 3 Write-to-Read and Read-to-Write Timing ..... 41

Figure 4 3-line serial Interface Timing Characteristics ..... 42

Figure 5 4-line serial Interface Timing Characteristics ..... 43

Figure 6 RGB Interface Timing Characteristics ..... 45

Figure 7 Reset Timing ..... 46

Figure 8 8080-Series WRX Protocol..... 50

Figure 9 8080-Series Parallel Bus Protocol, Write to Register or Display RAM ..... 50

Figure 10 8080-series RDX protocol ..... 51

Figure 11 8080-series parallel bus protocol, read data from register or display RAM..... 51

Figure 12 Serial interface data stream format ..... 54

Figure 13 3-line serial interface write protocol (write to register with control bit in transmission) ..... 55

Figure 14 4-line serial interface write protocol (write to register with control bit in transmission) ..... 55

Figure 15 3-line serial interface read protocol..... 57

Figure 16 4-line serial interface read protocol..... 59

Figure 17 Hardware suggestion of 2 data lane serial interface ..... 60

Figure 18 3-line serial interface write protocol (write to register with control bit in transmission) ..... 61

Figure 19 3-line serial interface read protocol..... 63

Figure 20 Write interrupts recovery (serial interface)..... 64

Figure 21 Write interrupts recovery (both serial and parallel Interface)..... 65

Figure 22 Parallel bus pause protocol (paused by CSX)..... 66

Figure 23 RGB Interface Data Format..... 108

Figure 24 DRAM Access Area by RGB Interface ..... 109

Figure 25 Timing Chart of Signals in RGB Interface DE Mode ..... 110

Figure 26 Timing chart of RGB interface HV mod ..... 111

Figure 27 Data transmission through VSYNC interface ..... 113

Figure 28 Operation through VSYNC Interface ..... 113

Figure 29 Timing Diagram of VSYNC Interface ..... 114

Figure 30 Operation for Leading Mode of VSYNC Interface..... 115

Figure 31 Operation for Lagging Mode of VSYNC Interface ..... 115

Figure 32 Display data RAM organization ..... 117

Figure 33 Display data RAM organization ..... 120

Figure 34 Rolling Scroll Definition ..... 123

Figure 35 Gray scale Voltage Generation (Positive) ..... 135

Figure 36 Relationship between Source Output and VCOM ..... 136

Figure 37 Block diagram of digital gamma ..... 140



---

Figure 38 Power Booster Level .....	297
Figure 39 Relationship about source voltage.....	298
Figure 40 Voltage Output to TFT LCD Panel.....	299

---

**LIST OF TABLES**

Table 1 Absolute Operation Range.....	36
Table 2 Basic DC Characteristics .....	37
Table 3 Power Consumption .....	39
Table 4 8080 Parallel Interface Characteristics .....	41
Table 5 3-line serial Interface Characteristics .....	42
Table 6 4-line serial Interface Characteristics .....	43
Table 7 18/16 Bits RGB Interface Timing Characteristics .....	45
Table 8 Reset Timing.....	46
Table 9 Interface Type Selection.....	48
Table 10 the function of 8080-series parallel interface.....	49
Table 11 The function of 8080- II series parallel interface .....	52
Table 12 Selection of serial interface .....	53
Table 13 pin description of serial interface.....	54
Table 14 IM pin selection .....	60
Table 15 Pin description of 2 data lane serial interface.....	60
Table 16 AC characteristics of Tearing Effect Signal Idle Mode Off (Frame Rate = 60 Hz, Ta=25℃) .	128
Table 17 voltage level percentage adjustment description.....	136
Table 18 System Function Command List .....	154

## 1 GENERAL DESCRIPTION

The ST7789S is a single-chip controller/driver for 262K-color, graphic type TFT-LCD. It consists of 720 source line and 320 gate line driving circuits. This chip is capable of connecting directly to an external microprocessor, and accepts, 8-bits/9-bits/16-bits/18-bits parallel interface. Display data can be stored in the on-chip display data RAM of 240x320x18 bits. It can perform display data RAM read/write operation with no external operation clock to minimize power consumption. In addition, because of the integrated power supply circuit necessary to drive liquid crystal; it is possible to make a display system with the fewest components.

## 2 FEATURES

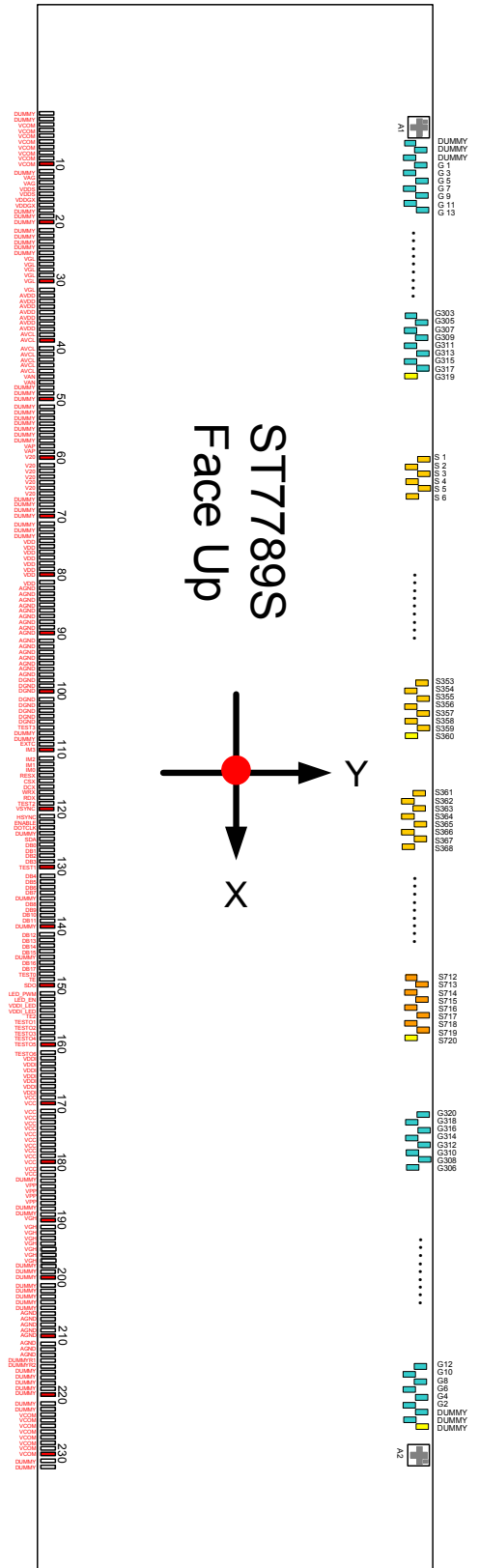
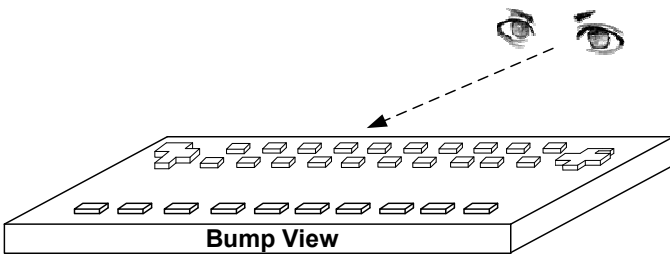
- Single chip TFT-LCD Controller/Driver with On-chip Frame Memory (FM)
- Display Resolution: 240\*RGB (H) \*320(V)
- Frame Memory Size: 240 x 320 x 18-bit = 1,382,400 bits
- LCD Driver Output Circuits
  - Source Outputs: 240 RGB Channels
  - Gate Outputs: 320 Channels
  - Common Electrode Output
- Display Colors (Color Mode)
  - Full Color: 262K, RGB=(666) max., Idle Mode Off
  - Color Reduce: 8-color, RGB=(111), Idle Mode On
- Programmable Pixel Color Format (Color Depth) for Various Display Data input Format
  - 12-bit/pixel: RGB=(444)
  - 16-bit/pixel: RGB=(565)
  - 18-bit/pixel: RGB=(666)
- MCU Interface
  - Parallel 8080-series MCU Interface (8-bit, 9-bit, 16-bit & 18-bit)
  - 6/16/18 RGB Interface(VSYNC, HSYNC, DOTCLK, ENABLE, DB[17:0])
  - Serial Peripheral Interface(SPI Interface)
  - VSYNC Interface
- Display Features
  - Programmable Partial Display Duty
  - CABC for saving current consumption
  - Color enhancement
- On Chip Build-In Circuits
  - DC/DC Converter
  - Adjustable VCOM Generation
  - Non-Volatile (NV) Memory to Store Initial Register Setting and Factory Default Value (Module ID, Module Version, etc)
  - Timing Controller
  - 4 preset Gamma curve with separated RGB Gamma setting
- Build-In NV Memory for LCD Initial Register Setting
  - 8-bits for ID1 setting
  - 8-bits for ID2 setting
  - 8-bits for ID3 setting
  - 6-bits for VCOM Offset adjustment
- Driving Algorithm

- Dot Inversion
- Column Inversion
- Wide Supply Voltage Range
  - I/O Voltage (VDDI to DGND): 1.65V ~ 3.3V ( $VDDI \leq VDD$ )
  - Analog Voltage (VDD to AGND): 2.4V ~ 3.3V
- On-Chip Power System
  - Source Voltage (VAP (GVDD) to VAN (GVCL)): +6.4~-4.6V
  - VCOM level: GND
  - Gate driver HIGH level (VGH to AGND): +12.2V ~ +14.97V
  - Gate driver LOW level (VGL to AGND): -12.5V ~ -7.16V
- Optimized layout for COG Assembly
- Operate temperature range: -30°C to +85°C
- Lower Power Consumption

3 PAD ARRANGEMENT

3.1 Output Bump Dimension

Au bump height	9μm
Au bump size	14μm×104μm Gate : G1~G320
	Source : S1~S720
	40μm×56μm Input Pads : Pad 12 to Pad 239

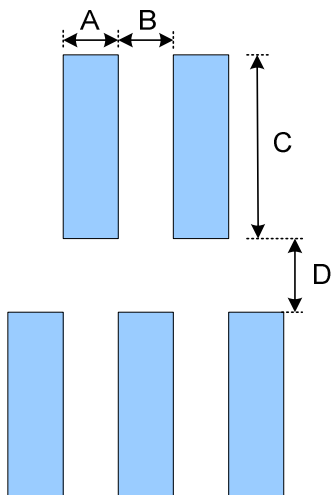


3.2 Input Bump Dimension

● Output Pads

S1~S720、G1~G320、DUMMY

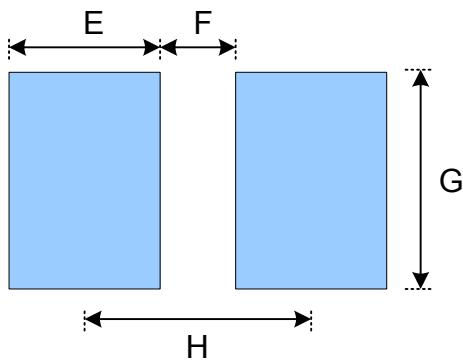
(No.233~1278)



Symbol	Item	Size
A	Bump Width	14 um
B	Bump Gap 1 (Horizontal)	14 um
C	Bump Height	104 um
D	Bump Gap 2 (Vertical)	31 um

● Input Pads

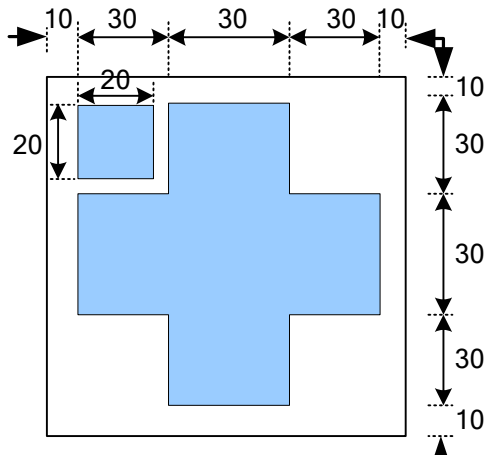
No.1~232



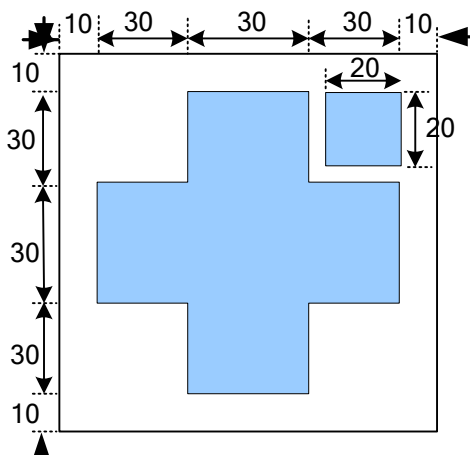
Symbol	Item	Size
E	Bump Width	40 um
F	Bump Gap	20、32.5、45 um
G	Bump Height	56 um
H	Bump Pitch	60、72.5、85 um

3.3 Alignment Mark Dimension

- Alignment Mark : A1(X,Y)=(-7480,255)



- Alignment Mark : A2(X,Y)=(+7480,255)



3.4 Chip Information

Chip size	16000μm x750μm
Chip thickness	300μm
Pad Location	Pad center
Coordinate Origin	Chip center



4 PAD CENTER COORDINATES

PAD No.	PIN Name	X	Y	PAD No.	PIN Name	X	Y	PAD No.	PIN Name	X	Y
1	DUMMY	-7292.5	-280	33	AVDD	-5372.5	-280	65	V20	-3452.5	-280
2	DUMMY	-7232.5	-280	34	AVDD	-5312.5	-280	66	V20	-3392.5	-280
3	VCOM	-7172.5	-280	35	AVDD	-5252.5	-280	67	DUMMY	-3332.5	-280
4	VCOM	-7112.5	-280	36	AVDD	-5192.5	-280	68	DUMMY	-3272.5	-280
5	VCOM	-7052.5	-280	37	AVDD	-5132.5	-280	69	DUMMY	-3212.5	-280
6	VCOM	-6992.5	-280	38	AVDD	-5072.5	-280	70	DUMMY	-3152.5	-280
7	VCOM	-6932.5	-280	39	AVCL	-5012.5	-280	71	DUMMY	-3092.5	-280
8	VCOM	-6872.5	-280	40	AVCL	-4952.5	-280	72	DUMMY	-3032.5	-280
9	VCOM	-6812.5	-280	41	AVCL	-4892.5	-280	73	DUMMY	-2972.5	-280
10	VCOM	-6752.5	-280	42	AVCL	-4832.5	-280	74	VDD	-2912.5	-280
11	DUMMY	-6692.5	-280	43	AVCL	-4772.5	-280	75	VDD	-2852.5	-280
12	VAG	-6632.5	-280	44	AVCL	-4712.5	-280	76	VDD	-2792.5	-280
13	VAG	-6572.5	-280	45	AVCL	-4652.5	-280	77	VDD	-2732.5	-280
14	VDDS	-6512.5	-280	46	VAN	-4592.5	-280	78	VDD	-2672.5	-280
15	VDDS	-6452.5	-280	47	VAN	-4532.5	-280	79	VDD	-2612.5	-280
16	VDDGX	-6392.5	-280	48	DUMMY	-4472.5	-280	80	VDD	-2552.5	-280
17	VDDGX	-6332.5	-280	49	DUMMY	-4412.5	-280	81	VDD	-2492.5	-280
18	DUMMY	-6272.5	-280	50	DUMMY	-4352.5	-280	82	AGND	-2432.5	-280
19	DUMMY	-6212.5	-280	51	DUMMY	-4292.5	-280	83	AGND	-2372.5	-280
20	DUMMY	-6152.5	-280	52	DUMMY	-4232.5	-280	84	AGND	-2312.5	-280
21	DUMMY	-6092.5	-280	53	DUMMY	-4172.5	-280	85	AGND	-2252.5	-280
22	DUMMY	-6032.5	-280	54	DUMMY	-4112.5	-280	86	AGND	-2192.5	-280
23	DUMMY	-5972.5	-280	55	DUMMY	-4052.5	-280	87	AGND	-2132.5	-280
24	DUMMY	-5912.5	-280	56	DUMMY	-3992.5	-280	88	AGND	-2072.5	-280
25	DUMMY	-5852.5	-280	57	DUMMY	-3932.5	-280	89	AGND	-2012.5	-280
26	VGL	-5792.5	-280	58	VAP	-3872.5	-280	90	AGND	-1952.5	-280
27	VGL	-5732.5	-280	59	VAP	-3812.5	-280	91	AGND	-1892.5	-280
28	VGL	-5672.5	-280	60	V20	-3752.5	-280	92	AGND	-1832.5	-280
29	VGL	-5612.5	-280	61	V20	-3692.5	-280	93	AGND	-1772.5	-280
30	VGL	-5552.5	-280	62	V20	-3632.5	-280	94	AGND	-1712.5	-280
31	VGL	-5492.5	-280	63	V20	-3572.5	-280	95	AGND	-1652.5	-280
32	AVDD	-5432.5	-280	64	V20	-3512.5	-280	96	AGND	-1592.5	-280

PAD No.	PIN Name	X	Y	PAD No.	PIN Name	X	Y	PAD No.	PIN Name	X	Y
97	AGND	-1532.5	-280	131	DB4	645	-280	165	VDDI	3272.5	-280
98	DGND	-1472.5	-280	132	DB5	730	-280	166	VDDI	3332.5	-280
99	DGND	-1412.5	-280	133	DB6	815	-280	167	VDDI	3392.5	-280
100	DGND	-1352.5	-280	134	DB7	900	-280	168	VDDI	3452.5	-280
101	DGND	-1292.5	-280	135	DUMMY	972.5	-280	169	VCC	3512.5	-280
102	DGND	-1232.5	-280	136	DB8	1045	-280	170	VCC	3572.5	-280
103	DGND	-1172.5	-280	137	DB9	1130	-280	171	VCC	3632.5	-280
104	DGND	-1112.5	-280	138	DB10	1215	-280	172	VCC	3692.5	-280
105	DGND	-1052.5	-280	139	DB11	1300	-280	173	VCC	3752.5	-280
106	TEST3	-992.5	-280	140	DUMMY	1372.5	-280	174	VCC	3812.5	-280
107	DUMMY	-932.5	-280	141	DB12	1445	-280	175	VCC	3872.5	-280
108	DUMMY	-872.5	-280	142	DB13	1530	-280	176	VCC	3932.5	-280
109	EXTC	-812.5	-280	143	DB14	1615	-280	177	VCC	3992.5	-280
110	IM3	-752.5	-280	144	DB15	1700	-280	178	VCC	4052.5	-280
111	IM2	-692.5	-280	145	DUMMY	1772.5	-280	179	VCC	4112.5	-280
112	IM1	-632.5	-280	146	DB16	1845	-280	180	VCC	4172.5	-280
113	IM0	-572.5	-280	147	DB17	1930	-280	181	VCC	4232.5	-280
114	RESX	-512.5	-280	148	TEST0	2002.5	-280	182	VCC	4292.5	-280
115	CSX	-452.5	-280	149	TE	2075	-280	183	DUMMY	4352.5	-280
116	DCX	-392.5	-280	150	SDO	2160	-280	184	VPP	4412.5	-280
117	WRX	-332.5	-280	151	LED_PWM	2245	-280	185	VPP	4472.5	-280
118	RDX	-272.5	-280	152	LED_EN	2330	-280	186	VPP	4532.5	-280
119	TEST2	-212.5	-280	153	VDDI_LED	2402.5	-280	187	VPP	4592.5	-280
120	VSX	-152.5	-280	154	VDDI_LED	2462.5	-280	188	DUMMY	4652.5	-280
121	HSX	-92.5	-280	155	TE2	2535	-280	189	DUMMY	4712.5	-280
122	ENABLE	-32.5	-280	156	TESTO1	2620	-280	190	VGH	4772.5	-280
123	DOTCLK	27.5	-280	157	TESTO2	2705	-280	191	VGH	4832.5	-280
124	DUMMY	87.5	-280	158	TESTO3	2790	-280	192	VGH	4892.5	-280
125	SDA	160	-280	159	TESTO4	2875	-280	193	VGH	4952.5	-280
126	DB0	245	-280	160	TESTO5	2960	-280	194	VGH	5012.5	-280
127	DB1	330	-280	161	TESTO6	3032.5	-280	195	VGH	5072.5	-280
128	DB2	415	-280	162	VDDI	3092.5	-280	196	VGH	5132.5	-280
129	DB3	500	-280	163	VDDI	3152.5	-280	197	VGH	5192.5	-280
130	TEST1	572.5	-280	164	VDDI	3212.5	-280	198	DUMMY	5252.5	-280

PAD No.	PIN Name	X	Y	PAD No.	PIN Name	X	Y	PAD No.	PIN Name	X	Y
199	DUMMY	5312.5	-280	233	DUMMY	7399	256	267	G64	6923	256
200	DUMMY	5372.5	-280	234	DUMMY	7385	121	268	G66	6909	121
201	DUMMY	5432.5	-280	235	DUMMY	7371	256	269	G68	6895	256
202	DUMMY	5492.5	-280	236	G2	7357	121	270	G70	6881	121
203	DUMMY	5552.5	-280	237	G4	7343	256	271	G72	6867	256
204	DUMMY	5612.5	-280	238	G6	7329	121	272	G74	6853	121
205	DUMMY	5672.5	-280	239	G8	7315	256	273	G76	6839	256
206	AGND	5732.5	-280	240	G10	7301	121	274	G78	6825	121
207	AGND	5792.5	-280	241	G12	7287	256	275	G80	6811	256
208	AGND	5852.5	-280	242	G14	7273	121	276	G82	6797	121
209	AGND	5912.5	-280	243	G16	7259	256	277	G84	6783	256
210	AGND	5972.5	-280	244	G18	7245	121	278	G86	6769	121
211	AGND	6032.5	-280	245	G20	7231	256	279	G88	6755	256
212	AGND	6092.5	-280	246	G22	7217	121	280	G90	6741	121
213	AGND	6152.5	-280	247	G24	7203	256	281	G92	6727	256
214	DUMMYR1	6212.5	-280	248	G26	7189	121	282	G94	6713	121
215	DUMMYR2	6272.5	-280	249	G28	7175	256	283	G96	6699	256
216	DUMMY	6332.5	-280	250	G30	7161	121	284	G98	6685	121
217	DUMMY	6392.5	-280	251	G32	7147	256	285	G100	6671	256
218	DUMMY	6452.5	-280	252	G34	7133	121	286	G102	6657	121
219	DUMMY	6512.5	-280	253	G36	7119	256	287	G104	6643	256
220	DUMMY	6572.5	-280	254	G38	7105	121	288	G106	6629	121
221	DUMMY	6632.5	-280	255	G40	7091	256	289	G108	6615	256
222	DUMMY	6692.5	-280	256	G42	7077	121	290	G110	6601	121
223	VCOM	6752.5	-280	257	G44	7063	256	291	G112	6587	256
224	VCOM	6812.5	-280	258	G46	7049	121	292	G114	6573	121
225	VCOM	6872.5	-280	259	G48	7035	256	293	G116	6559	256
226	VCOM	6932.5	-280	260	G50	7021	121	294	G118	6545	121
227	VCOM	6992.5	-280	261	G52	7007	256	295	G120	6531	256
228	VCOM	7052.5	-280	262	G54	6993	121	296	G122	6517	121
229	VCOM	7112.5	-280	263	G56	6979	256	297	G124	6503	256
230	VCOM	7172.5	-280	264	G58	6965	121	298	G126	6489	121
231	DUMMY	7232.5	-280	265	G60	6951	256	299	G128	6475	256
232	DUMMY	7292.5	-280	266	G62	6937	121	300	G130	6461	121

PAD No.	PIN Name	X	Y	PAD No.	PIN Name	X	Y	PAD No.	PIN Name	X	Y
301	G132	6447	256	335	G200	5971	256	369	G268	5495	256
302	G134	6433	121	336	G202	5957	121	370	G270	5481	121
303	G136	6419	256	337	G204	5943	256	371	G272	5467	256
304	G138	6405	121	338	G206	5929	121	372	G274	5453	121
305	G140	6391	256	339	G208	5915	256	373	G276	5439	256
306	G142	6377	121	340	G210	5901	121	374	G278	5425	121
307	G144	6363	256	341	G212	5887	256	375	G280	5411	256
308	G146	6349	121	342	G214	5873	121	376	G282	5397	121
309	G148	6335	256	343	G216	5859	256	377	G284	5383	256
310	G150	6321	121	344	G218	5845	121	378	G286	5369	121
311	G152	6307	256	345	G220	5831	256	379	G288	5355	256
312	G154	6293	121	346	G222	5817	121	380	G290	5341	121
313	G156	6279	256	347	G224	5803	256	381	G292	5327	256
314	G158	6265	121	348	G226	5789	121	382	G294	5313	121
315	G160	6251	256	349	G228	5775	256	383	G296	5299	256
316	G162	6237	121	350	G230	5761	121	384	G298	5285	121
317	G164	6223	256	351	G232	5747	256	385	G300	5271	256
318	G166	6209	121	352	G234	5733	121	386	G302	5257	121
319	G168	6195	256	353	G236	5719	256	387	G304	5243	256
320	G170	6181	121	354	G238	5705	121	388	G306	5229	121
321	G172	6167	256	355	G240	5691	256	389	G308	5215	256
322	G174	6153	121	356	G242	5677	121	390	G310	5201	121
323	G176	6139	256	357	G244	5663	256	391	G312	5187	256
324	G178	6125	121	358	G246	5649	121	392	G314	5173	121
325	G180	6111	256	359	G248	5635	256	393	G316	5159	256
326	G182	6097	121	360	G250	5621	121	394	G318	5145	121
327	G184	6083	256	361	G252	5607	256	395	G320	5131	256
328	G186	6069	121	362	G254	5593	121	396	S720	5075	121
329	G188	6055	256	363	G256	5579	256	397	S719	5061	256
330	G190	6041	121	364	G258	5565	121	398	S718	5047	121
331	G192	6027	256	365	G260	5551	256	399	S717	5033	256
332	G194	6013	121	366	G262	5537	121	400	S716	5019	121
333	G196	5999	256	367	G264	5523	256	401	S715	5005	256
334	G198	5985	121	368	G266	5509	121	402	S714	4991	121

PAD No.	PIN Name	X	Y	PAD No.	PIN Name	X	Y	PAD No.	PIN Name	X	Y
403	S713	4977	256	437	S679	4501	256	471	S645	4025	256
404	S712	4963	121	438	S678	4487	121	472	S644	4011	121
405	S711	4949	256	439	S677	4473	256	473	S643	3997	256
406	S710	4935	121	440	S676	4459	121	474	S642	3983	121
407	S709	4921	256	441	S675	4445	256	475	S641	3969	256
408	S708	4907	121	442	S674	4431	121	476	S640	3955	121
409	S707	4893	256	443	S673	4417	256	477	S639	3941	256
410	S706	4879	121	444	S672	4403	121	478	S638	3927	121
411	S705	4865	256	445	S671	4389	256	479	S637	3913	256
412	S704	4851	121	446	S670	4375	121	480	S636	3899	121
413	S703	4837	256	447	S669	4361	256	481	S635	3885	256
414	S702	4823	121	448	S668	4347	121	482	S634	3871	121
415	S701	4809	256	449	S667	4333	256	483	S633	3857	256
416	S700	4795	121	450	S666	4319	121	484	S632	3843	121
417	S699	4781	256	451	S665	4305	256	485	S631	3829	256
418	S698	4767	121	452	S664	4291	121	486	S630	3815	121
419	S697	4753	256	453	S663	4277	256	487	S629	3801	256
420	S696	4739	121	454	S662	4263	121	488	S628	3787	121
421	S695	4725	256	455	S661	4249	256	489	S627	3773	256
422	S694	4711	121	456	S660	4235	121	490	S626	3759	121
423	S693	4697	256	457	S659	4221	256	491	S625	3745	256
424	S692	4683	121	458	S658	4207	121	492	S624	3731	121
425	S691	4669	256	459	S657	4193	256	493	S623	3717	256
426	S690	4655	121	460	S656	4179	121	494	S622	3703	121
427	S689	4641	256	461	S655	4165	256	495	S621	3689	256
428	S688	4627	121	462	S654	4151	121	496	S620	3675	121
429	S687	4613	256	463	S653	4137	256	497	S619	3661	256
430	S686	4599	121	464	S652	4123	121	498	S618	3647	121
431	S685	4585	256	465	S651	4109	256	499	S617	3633	256
432	S684	4571	121	466	S650	4095	121	500	S616	3619	121
433	S683	4557	256	467	S649	4081	256	501	S615	3605	256
434	S682	4543	121	468	S648	4067	121	502	S614	3591	121
435	S681	4529	256	469	S647	4053	256	503	S613	3577	256
436	S680	4515	121	470	S646	4039	121	504	S612	3563	121

PAD No.	PIN Name	X	Y	PAD No.	PIN Name	X	Y	PAD No.	PIN Name	X	Y
505	S611	3549	256	539	S577	3073	256	573	S543	2597	256
506	S610	3535	121	540	S576	3059	121	574	S542	2583	121
507	S609	3521	256	541	S575	3045	256	575	S541	2569	256
508	S608	3507	121	542	S574	3031	121	576	S540	2555	121
509	S607	3493	256	543	S573	3017	256	577	S539	2541	256
510	S606	3479	121	544	S572	3003	121	578	S538	2527	121
511	S605	3465	256	545	S571	2989	256	579	S537	2513	256
512	S604	3451	121	546	S570	2975	121	580	S536	2499	121
513	S603	3437	256	547	S569	2961	256	581	S535	2485	256
514	S602	3423	121	548	S568	2947	121	582	S534	2471	121
515	S601	3409	256	549	S567	2933	256	583	S533	2457	256
516	S600	3395	121	550	S566	2919	121	584	S532	2443	121
517	S599	3381	256	551	S565	2905	256	585	S531	2429	256
518	S598	3367	121	552	S564	2891	121	586	S530	2415	121
519	S597	3353	256	553	S563	2877	256	587	S529	2401	256
520	S596	3339	121	554	S562	2863	121	588	S528	2387	121
521	S595	3325	256	555	S561	2849	256	589	S527	2373	256
522	S594	3311	121	556	S560	2835	121	590	S526	2359	121
523	S593	3297	256	557	S559	2821	256	591	S525	2345	256
524	S592	3283	121	558	S558	2807	121	592	S524	2331	121
525	S591	3269	256	559	S557	2793	256	593	S523	2317	256
526	S590	3255	121	560	S556	2779	121	594	S522	2303	121
527	S589	3241	256	561	S555	2765	256	595	S521	2289	256
528	S588	3227	121	562	S554	2751	121	596	S520	2275	121
529	S587	3213	256	563	S553	2737	256	597	S519	2261	256
530	S586	3199	121	564	S552	2723	121	598	S518	2247	121
531	S585	3185	256	565	S551	2709	256	599	S517	2233	256
532	S584	3171	121	566	S550	2695	121	600	S516	2219	121
533	S583	3157	256	567	S549	2681	256	601	S515	2205	256
534	S582	3143	121	568	S548	2667	121	602	S514	2191	121
535	S581	3129	256	569	S547	2653	256	603	S513	2177	256
536	S580	3115	121	570	S546	2639	121	604	S512	2163	121
537	S579	3101	256	571	S545	2625	256	605	S511	2149	256
538	S578	3087	121	572	S544	2611	121	606	S510	2135	121

PAD No.	PIN Name	X	Y	PAD No.	PIN Name	X	Y	PAD No.	PIN Name	X	Y
607	S509	2121	256	641	S475	1645	256	675	S441	1169	256
608	S508	2107	121	642	S474	1631	121	676	S440	1155	121
609	S507	2093	256	643	S473	1617	256	677	S439	1141	256
610	S506	2079	121	644	S472	1603	121	678	S438	1127	121
611	S505	2065	256	645	S471	1589	256	679	S437	1113	256
612	S504	2051	121	646	S470	1575	121	680	S436	1099	121
613	S503	2037	256	647	S469	1561	256	681	S435	1085	256
614	S502	2023	121	648	S468	1547	121	682	S434	1071	121
615	S501	2009	256	649	S467	1533	256	683	S433	1057	256
616	S500	1995	121	650	S466	1519	121	684	S432	1043	121
617	S499	1981	256	651	S465	1505	256	685	S431	1029	256
618	S498	1967	121	652	S464	1491	121	686	S430	1015	121
619	S497	1953	256	653	S463	1477	256	687	S429	1001	256
620	S496	1939	121	654	S462	1463	121	688	S428	987	121
621	S495	1925	256	655	S461	1449	256	689	S427	973	256
622	S494	1911	121	656	S460	1435	121	690	S426	959	121
623	S493	1897	256	657	S459	1421	256	691	S425	945	256
624	S492	1883	121	658	S458	1407	121	692	S424	931	121
625	S491	1869	256	659	S457	1393	256	693	S423	917	256
626	S490	1855	121	660	S456	1379	121	694	S422	903	121
627	S489	1841	256	661	S455	1365	256	695	S421	889	256
628	S488	1827	121	662	S454	1351	121	696	S420	875	121
629	S487	1813	256	663	S453	1337	256	697	S419	861	256
630	S486	1799	121	664	S452	1323	121	698	S418	847	121
631	S485	1785	256	665	S451	1309	256	699	S417	833	256
632	S484	1771	121	666	S450	1295	121	700	S416	819	121
633	S483	1757	256	667	S449	1281	256	701	S415	805	256
634	S482	1743	121	668	S448	1267	121	702	S414	791	121
635	S481	1729	256	669	S447	1253	256	703	S413	777	256
636	S480	1715	121	670	S446	1239	121	704	S412	763	121
637	S479	1701	256	671	S445	1225	256	705	S411	749	256
638	S478	1687	121	672	S444	1211	121	706	S410	735	121
639	S477	1673	256	673	S443	1197	256	707	S409	721	256
640	S476	1659	121	674	S442	1183	121	708	S408	707	121

PAD No.	PIN Name	X	Y	PAD No.	PIN Name	X	Y	PAD No.	PIN Name	X	Y
709	S407	693	256	743	S373	217	256	777	S339	-343	256
710	S406	679	121	744	S372	203	121	778	S338	-357	121
711	S405	665	256	745	S371	189	256	779	S337	-371	256
712	S404	651	121	746	S370	175	121	780	S336	-385	121
713	S403	637	256	747	S369	161	256	781	S335	-399	256
714	S402	623	121	748	S368	147	121	782	S334	-413	121
715	S401	609	256	749	S367	133	256	783	S333	-427	256
716	S400	595	121	750	S366	119	121	784	S332	-441	121
717	S399	581	256	751	S365	105	256	785	S331	-455	256
718	S398	567	121	752	S364	91	121	786	S330	-469	121
719	S397	553	256	753	S363	77	256	787	S329	-483	256
720	S396	539	121	754	S362	63	121	788	S328	-497	121
721	S395	525	256	755	S361	49	256	789	S327	-511	256
722	S394	511	121	756	S360	-49	121	790	S326	-525	121
723	S393	497	256	757	S359	-63	256	791	S325	-539	256
724	S392	483	121	758	S358	-77	121	792	S324	-553	121
725	S391	469	256	759	S357	-91	256	793	S323	-567	256
726	S390	455	121	760	S356	-105	121	794	S322	-581	121
727	S389	441	256	761	S355	-119	256	795	S321	-595	256
728	S388	427	121	762	S354	-133	121	796	S320	-609	121
729	S387	413	256	763	S353	-147	256	797	S319	-623	256
730	S386	399	121	764	S352	-161	121	798	S318	-637	121
731	S385	385	256	765	S351	-175	256	799	S317	-651	256
732	S384	371	121	766	S350	-189	121	800	S316	-665	121
733	S383	357	256	767	S349	-203	256	801	S315	-679	256
734	S382	343	121	768	S348	-217	121	802	S314	-693	121
735	S381	329	256	769	S347	-231	256	803	S313	-707	256
736	S380	315	121	770	S346	-245	121	804	S312	-721	121
737	S379	301	256	771	S345	-259	256	805	S311	-735	256
738	S378	287	121	772	S344	-273	121	806	S310	-749	121
739	S377	273	256	773	S343	-287	256	807	S309	-763	256
740	S376	259	121	774	S342	-301	121	808	S308	-777	121
741	S375	245	256	775	S341	-315	256	809	S307	-791	256
742	S374	231	121	776	S340	-329	121	810	S306	-805	121



PAD No.	PIN Name	X	Y	PAD No.	PIN Name	X	Y	PAD No.	PIN Name	X	Y
811	S305	-819	256	845	S271	-1295	256	879	S237	-1771	256
812	S304	-833	121	846	S270	-1309	121	880	S236	-1785	121
813	S303	-847	256	847	S269	-1323	256	881	S235	-1799	256
814	S302	-861	121	848	S268	-1337	121	882	S234	-1813	121
815	S301	-875	256	849	S267	-1351	256	883	S233	-1827	256
816	S300	-889	121	850	S266	-1365	121	884	S232	-1841	121
817	S299	-903	256	851	S265	-1379	256	885	S231	-1855	256
818	S298	-917	121	852	S264	-1393	121	886	S230	-1869	121
819	S297	-931	256	853	S263	-1407	256	887	S229	-1883	256
820	S296	-945	121	854	S262	-1421	121	888	S228	-1897	121
821	S295	-959	256	855	S261	-1435	256	889	S227	-1911	256
822	S294	-973	121	856	S260	-1449	121	890	S226	-1925	121
823	S293	-987	256	857	S259	-1463	256	891	S225	-1939	256
824	S292	-1001	121	858	S258	-1477	121	892	S224	-1953	121
825	S291	-1015	256	859	S257	-1491	256	893	S223	-1967	256
826	S290	-1029	121	860	S256	-1505	121	894	S222	-1981	121
827	S289	-1043	256	861	S255	-1519	256	895	S221	-1995	256
828	S288	-1057	121	862	S254	-1533	121	896	S220	-2009	121
829	S287	-1071	256	863	S253	-1547	256	897	S219	-2023	256
830	S286	-1085	121	864	S252	-1561	121	898	S218	-2037	121
831	S285	-1099	256	865	S251	-1575	256	899	S217	-2051	256
832	S284	-1113	121	866	S250	-1589	121	900	S216	-2065	121
833	S283	-1127	256	867	S249	-1603	256	901	S215	-2079	256
834	S282	-1141	121	868	S248	-1617	121	902	S214	-2093	121
835	S281	-1155	256	869	S247	-1631	256	903	S213	-2107	256
836	S280	-1169	121	870	S246	-1645	121	904	S212	-2121	121
837	S279	-1183	256	871	S245	-1659	256	905	S211	-2135	256
838	S278	-1197	121	872	S244	-1673	121	906	S210	-2149	121
839	S277	-1211	256	873	S243	-1687	256	907	S209	-2163	256
840	S276	-1225	121	874	S242	-1701	121	908	S208	-2177	121
841	S275	-1239	256	875	S241	-1715	256	909	S207	-2191	256
842	S274	-1253	121	876	S240	-1729	121	910	S206	-2205	121
843	S273	-1267	256	877	S239	-1743	256	911	S205	-2219	256
844	S272	-1281	121	878	S238	-1757	121	912	S204	-2233	121

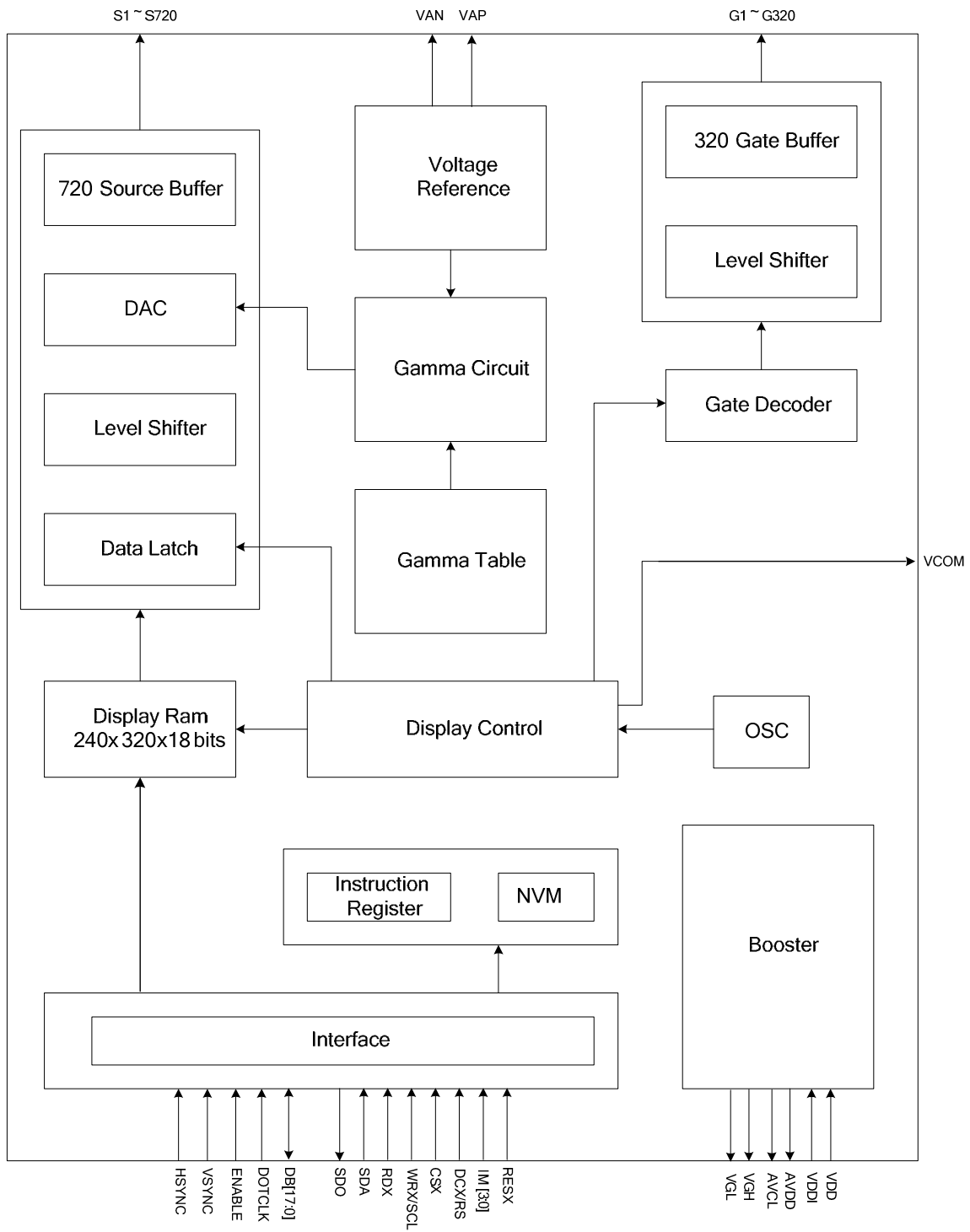
PAD No.	PIN Name	X	Y	PAD No.	PIN Name	X	Y	PAD No.	PIN Name	X	Y
913	S203	-2247	256	947	S169	-2723	256	981	S135	-3199	256
914	S202	-2261	121	948	S168	-2737	121	982	S134	-3213	121
915	S201	-2275	256	949	S167	-2751	256	983	S133	-3227	256
916	S200	-2289	121	950	S166	-2765	121	984	S132	-3241	121
917	S199	-2303	256	951	S165	-2779	256	985	S131	-3255	256
918	S198	-2317	121	952	S164	-2793	121	986	S130	-3269	121
919	S197	-2331	256	953	S163	-2807	256	987	S129	-3283	256
920	S196	-2345	121	954	S162	-2821	121	988	S128	-3297	121
921	S195	-2359	256	955	S161	-2835	256	989	S127	-3311	256
922	S194	-2373	121	956	S160	-2849	121	990	S126	-3325	121
923	S193	-2387	256	957	S159	-2863	256	991	S125	-3339	256
924	S192	-2401	121	958	S158	-2877	121	992	S124	-3353	121
925	S191	-2415	256	959	S157	-2891	256	993	S123	-3367	256
926	S190	-2429	121	960	S156	-2905	121	994	S122	-3381	121
927	S189	-2443	256	961	S155	-2919	256	995	S121	-3395	256
928	S188	-2457	121	962	S154	-2933	121	996	S120	-3409	121
929	S187	-2471	256	963	S153	-2947	256	997	S119	-3423	256
930	S186	-2485	121	964	S152	-2961	121	998	S118	-3437	121
931	S185	-2499	256	965	S151	-2975	256	999	S117	-3451	256
932	S184	-2513	121	966	S150	-2989	121	1000	S116	-3465	121
933	S183	-2527	256	967	S149	-3003	256	1001	S115	-3479	256
934	S182	-2541	121	968	S148	-3017	121	1002	S114	-3493	121
935	S181	-2555	256	969	S147	-3031	256	1003	S113	-3507	256
936	S180	-2569	121	970	S146	-3045	121	1004	S112	-3521	121
937	S179	-2583	256	971	S145	-3059	256	1005	S111	-3535	256
938	S178	-2597	121	972	S144	-3073	121	1006	S110	-3549	121
939	S177	-2611	256	973	S143	-3087	256	1007	S109	-3563	256
940	S176	-2625	121	974	S142	-3101	121	1008	S108	-3577	121
941	S175	-2639	256	975	S141	-3115	256	1009	S107	-3591	256
942	S174	-2653	121	976	S140	-3129	121	1010	S106	-3605	121
943	S173	-2667	256	977	S139	-3143	256	1011	S105	-3619	256
944	S172	-2681	121	978	S138	-3157	121	1012	S104	-3633	121
945	S171	-2695	256	979	S137	-3171	256	1013	S103	-3647	256
946	S170	-2709	121	980	S136	-3185	121	1014	S102	-3661	121

PAD No.	PIN Name	X	Y	PAD No.	PIN Name	X	Y	PAD No.	PIN Name	X	Y
1015	S101	-3675	256	1049	S67	-4151	256	1083	S33	-4627	256
1016	S100	-3689	121	1050	S66	-4165	121	1084	S32	-4641	121
1017	S99	-3703	256	1051	S65	-4179	256	1085	S31	-4655	256
1018	S98	-3717	121	1052	S64	-4193	121	1086	S30	-4669	121
1019	S97	-3731	256	1053	S63	-4207	256	1087	S29	-4683	256
1020	S96	-3745	121	1054	S62	-4221	121	1088	S28	-4697	121
1021	S95	-3759	256	1055	S61	-4235	256	1089	S27	-4711	256
1022	S94	-3773	121	1056	S60	-4249	121	1090	S26	-4725	121
1023	S93	-3787	256	1057	S59	-4263	256	1091	S25	-4739	256
1024	S92	-3801	121	1058	S58	-4277	121	1092	S24	-4753	121
1025	S91	-3815	256	1059	S57	-4291	256	1093	S23	-4767	256
1026	S90	-3829	121	1060	S56	-4305	121	1094	S22	-4781	121
1027	S89	-3843	256	1061	S55	-4319	256	1095	S21	-4795	256
1028	S88	-3857	121	1062	S54	-4333	121	1096	S20	-4809	121
1029	S87	-3871	256	1063	S53	-4347	256	1097	S19	-4823	256
1030	S86	-3885	121	1064	S52	-4361	121	1098	S18	-4837	121
1031	S85	-3899	256	1065	S51	-4375	256	1099	S17	-4851	256
1032	S84	-3913	121	1066	S50	-4389	121	1100	S16	-4865	121
1033	S83	-3927	256	1067	S49	-4403	256	1101	S15	-4879	256
1034	S82	-3941	121	1068	S48	-4417	121	1102	S14	-4893	121
1035	S81	-3955	256	1069	S47	-4431	256	1103	S13	-4907	256
1036	S80	-3969	121	1070	S46	-4445	121	1104	S12	-4921	121
1037	S79	-3983	256	1071	S45	-4459	256	1105	S11	-4935	256
1038	S78	-3997	121	1072	S44	-4473	121	1106	S10	-4949	121
1039	S77	-4011	256	1073	S43	-4487	256	1107	S9	-4963	256
1040	S76	-4025	121	1074	S42	-4501	121	1108	S8	-4977	121
1041	S75	-4039	256	1075	S41	-4515	256	1109	S7	-4991	256
1042	S74	-4053	121	1076	S40	-4529	121	1110	S6	-5005	121
1043	S73	-4067	256	1077	S39	-4543	256	1111	S5	-5019	256
1044	S72	-4081	121	1078	S38	-4557	121	1112	S4	-5033	121
1045	S71	-4095	256	1079	S37	-4571	256	1113	S3	-5047	256
1046	S70	-4109	121	1080	S36	-4585	121	1114	S2	-5061	121
1047	S69	-4123	256	1081	S35	-4599	256	1115	S1	-5075	256
1048	S68	-4137	121	1082	S34	-4613	121	1116	G319	-5131	121

PAD No.	PIN Name	X	Y	PAD No.	PIN Name	X	Y	PAD No.	PIN Name	X	Y
1117	G317	-5145	256	1151	G249	-5621	256	1185	G181	-6097	256
1118	G315	-5159	121	1152	G247	-5635	121	1186	G179	-6111	121
1119	G313	-5173	256	1153	G245	-5649	256	1187	G177	-6125	256
1120	G311	-5187	121	1154	G243	-5663	121	1188	G175	-6139	121
1121	G309	-5201	256	1155	G241	-5677	256	1189	G173	-6153	256
1122	G307	-5215	121	1156	G239	-5691	121	1190	G171	-6167	121
1123	G305	-5229	256	1157	G237	-5705	256	1191	G169	-6181	256
1124	G303	-5243	121	1158	G235	-5719	121	1192	G167	-6195	121
1125	G301	-5257	256	1159	G233	-5733	256	1193	G165	-6209	256
1126	G299	-5271	121	1160	G231	-5747	121	1194	G163	-6223	121
1127	G297	-5285	256	1161	G229	-5761	256	1195	G161	-6237	256
1128	G295	-5299	121	1162	G227	-5775	121	1196	G159	-6251	121
1129	G293	-5313	256	1163	G225	-5789	256	1197	G157	-6265	256
1130	G291	-5327	121	1164	G223	-5803	121	1198	G155	-6279	121
1131	G289	-5341	256	1165	G221	-5817	256	1199	G153	-6293	256
1132	G287	-5355	121	1166	G219	-5831	121	1200	G151	-6307	121
1133	G285	-5369	256	1167	G217	-5845	256	1201	G149	-6321	256
1134	G283	-5383	121	1168	G215	-5859	121	1202	G147	-6335	121
1135	G281	-5397	256	1169	G213	-5873	256	1203	G145	-6349	256
1136	G279	-5411	121	1170	G211	-5887	121	1204	G143	-6363	121
1137	G277	-5425	256	1171	G209	-5901	256	1205	G141	-6377	256
1138	G275	-5439	121	1172	G207	-5915	121	1206	G139	-6391	121
1139	G273	-5453	256	1173	G205	-5929	256	1207	G137	-6405	256
1140	G271	-5467	121	1174	G203	-5943	121	1208	G135	-6419	121
1141	G269	-5481	256	1175	G201	-5957	256	1209	G133	-6433	256
1142	G267	-5495	121	1176	G199	-5971	121	1210	G131	-6447	121
1143	G265	-5509	256	1177	G197	-5985	256	1211	G129	-6461	256
1144	G263	-5523	121	1178	G195	-5999	121	1212	G127	-6475	121
1145	G261	-5537	256	1179	G193	-6013	256	1213	G125	-6489	256
1146	G259	-5551	121	1180	G191	-6027	121	1214	G123	-6503	121
1147	G257	-5565	256	1181	G189	-6041	256	1215	G121	-6517	256
1148	G255	-5579	121	1182	G187	-6055	121	1216	G119	-6531	121
1149	G253	-5593	256	1183	G185	-6069	256	1217	G117	-6545	256
1150	G251	-5607	121	1184	G183	-6083	121	1218	G115	-6559	121

PAD No.	PIN Name	X	Y	PAD No.	PIN Name	X	Y	PAD No.	PIN Name	X	Y
1219	G113	-6573	256	1240	G71	-6867	121	1261	G29	-7161	256
1220	G111	-6587	121	1241	G69	-6881	256	1262	G27	-7175	121
1221	G109	-6601	256	1242	G67	-6895	121	1263	G25	-7189	256
1222	G107	-6615	121	1243	G65	-6909	256	1264	G23	-7203	121
1223	G105	-6629	256	1244	G63	-6923	121	1265	G21	-7217	256
1224	G103	-6643	121	1245	G61	-6937	256	1266	G19	-7231	121
1225	G101	-6657	256	1246	G59	-6951	121	1267	G17	-7245	256
1226	G99	-6671	121	1247	G57	-6965	256	1268	G15	-7259	121
1227	G97	-6685	256	1248	G55	-6979	121	1269	G13	-7273	256
1228	G95	-6699	121	1249	G53	-6993	256	1270	G11	-7287	121
1229	G93	-6713	256	1250	G51	-7007	121	1271	G9	-7301	256
1230	G91	-6727	121	1251	G49	-7021	256	1272	G7	-7315	121
1231	G89	-6741	256	1252	G47	-7035	121	1273	G5	-7329	256
1232	G87	-6755	121	1253	G45	-7049	256	1274	G3	-7343	121
1233	G85	-6769	256	1254	G43	-7063	121	1275	G1	-7357	256
1234	G83	-6783	121	1255	G41	-7077	256	1276	DUMMY	-7371	121
1235	G81	-6797	256	1256	G39	-7091	121	1277	DUMMY	-7385	256
1236	G79	-6811	121	1257	G37	-7105	256	1278	DUMMY	-7399	121
1237	G77	-6825	256	1258	G35	-7119	121		A1	-7480	255
1238	G75	-6839	121	1259	G33	-7133	256		A2	7480	255
1239	G73	-6853	256	1260	G31	-7147	121				

5 BLOCK DIAGRAM



## 6 PIN DESCRIPTION

### 6.1 Power Supply Pins

Name	I/O	Description	Connect Pin
VDD	I	Power Supply for Analog, Digital System and Booster Circuit.	VDD
VDDI	I	Power Supply for I/O System.	VDDI
VDDI_LED	I	Power Supply for LED driver. If not used, please fix this pad to GND level.	-
AGND	I	System Ground for Analog System and Booster Circuit.	GND
DGND	I	System Ground for I/O System and Digital System.	GND

6.2 Interface Logic Pins

Name	I/O	Description	Connect Pin																																																																																
IM3, IM2, IM1, IM0	I	-The MCU interface mode select.	DGND/VDDI																																																																																
		<table border="1"> <thead> <tr> <th>IM3</th> <th>IM2</th> <th>IM1</th> <th>IM0</th> <th>MPU Interface Mode</th> <th>Data pin</th> </tr> </thead> <tbody> <tr> <td>0</td> <td>0</td> <td>0</td> <td>0</td> <td>80-8bit parallel I/F</td> <td>DB[7:0]</td> </tr> <tr> <td>0</td> <td>0</td> <td>0</td> <td>1</td> <td>80-16bit parallel I/F</td> <td>DB[15:0]</td> </tr> <tr> <td>0</td> <td>0</td> <td>1</td> <td>0</td> <td>80-9bit parallel I/F</td> <td>DB[8:0]</td> </tr> <tr> <td>0</td> <td>0</td> <td>1</td> <td>1</td> <td>80-18bit parallel I/F</td> <td>DB[17:0],</td> </tr> <tr> <td rowspan="2">0</td> <td rowspan="2">1</td> <td rowspan="2">0</td> <td rowspan="2">1</td> <td>3-line 9bit serial I/F</td> <td>SDA: in/out</td> </tr> <tr> <td>2 data lane serial I/F</td> <td>SDA: in/out WRX: in</td> </tr> <tr> <td>0</td> <td>1</td> <td>1</td> <td>0</td> <td>4-line 8bit serial I/F</td> <td>SDA: in/out</td> </tr> <tr> <td>1</td> <td>0</td> <td>0</td> <td>0</td> <td>80-16bit parallel I/F II</td> <td>DB[17:10], DB[8:1]</td> </tr> <tr> <td>1</td> <td>0</td> <td>0</td> <td>1</td> <td>80-8bit parallel I/F II</td> <td>DB[17:10]</td> </tr> <tr> <td>1</td> <td>0</td> <td>1</td> <td>0</td> <td>80-18bit parallel I/F II</td> <td>DB[17:0],</td> </tr> <tr> <td>1</td> <td>0</td> <td>1</td> <td>1</td> <td>80-9bit parallel I/F II</td> <td>DB[17:9]</td> </tr> <tr> <td>1</td> <td>1</td> <td>0</td> <td>1</td> <td>3-line 9bit serial I/F II</td> <td>SDA: in/ SDO: out</td> </tr> <tr> <td>1</td> <td>1</td> <td>1</td> <td>0</td> <td>4-line 8bit serial I/F II</td> <td>SDA:in/ SDO: out</td> </tr> </tbody> </table>		IM3	IM2	IM1	IM0	MPU Interface Mode	Data pin	0	0	0	0	80-8bit parallel I/F	DB[7:0]	0	0	0	1	80-16bit parallel I/F	DB[15:0]	0	0	1	0	80-9bit parallel I/F	DB[8:0]	0	0	1	1	80-18bit parallel I/F	DB[17:0],	0	1	0	1	3-line 9bit serial I/F	SDA: in/out	2 data lane serial I/F	SDA: in/out WRX: in	0	1	1	0	4-line 8bit serial I/F	SDA: in/out	1	0	0	0	80-16bit parallel I/F II	DB[17:10], DB[8:1]	1	0	0	1	80-8bit parallel I/F II	DB[17:10]	1	0	1	0	80-18bit parallel I/F II	DB[17:0],	1	0	1	1	80-9bit parallel I/F II	DB[17:9]	1	1	0	1	3-line 9bit serial I/F II	SDA: in/ SDO: out	1	1	1	0	4-line 8bit serial I/F II	SDA:in/ SDO: out
		IM3		IM2	IM1	IM0	MPU Interface Mode	Data pin																																																																											
		0		0	0	0	80-8bit parallel I/F	DB[7:0]																																																																											
		0		0	0	1	80-16bit parallel I/F	DB[15:0]																																																																											
		0		0	1	0	80-9bit parallel I/F	DB[8:0]																																																																											
		0		0	1	1	80-18bit parallel I/F	DB[17:0],																																																																											
		0		1	0	1	3-line 9bit serial I/F	SDA: in/out																																																																											
							2 data lane serial I/F	SDA: in/out WRX: in																																																																											
		0		1	1	0	4-line 8bit serial I/F	SDA: in/out																																																																											
		1		0	0	0	80-16bit parallel I/F II	DB[17:10], DB[8:1]																																																																											
		1		0	0	1	80-8bit parallel I/F II	DB[17:10]																																																																											
		1		0	1	0	80-18bit parallel I/F II	DB[17:0],																																																																											
1	0	1	1	80-9bit parallel I/F II	DB[17:9]																																																																														
1	1	0	1	3-line 9bit serial I/F II	SDA: in/ SDO: out																																																																														
1	1	1	0	4-line 8bit serial I/F II	SDA:in/ SDO: out																																																																														
EXTC	I	-Select to access extension command (“Low”: system command 1, “High”: system command 1 and 2). -When programming NVM, this pin should connect to high level.	DGND/VDDI																																																																																
VPP	I	-When programming NVM, it needs external power supply voltage (7.5V); the current of Ivpp must be more than 10mA. -If not used, let this pin open.	-																																																																																
RESX	I	-This signal will reset the device and it must be applied to properly initialize the chip. -Signal is active low.	MCU																																																																																
CSX	I	-Chip selection pin Low enable. High disable.	MCU																																																																																
DCX	I	-Display data/command selection pin in parallel interface. -This pin is used to be serial interface clock. DCX='1': display data or parameter.	MCU																																																																																



Name	I/O	Description	Connect Pin
		DCX='0': command data. -If not used, please fix this pin at VDDI or DGND.	
RDX	I	-Read enable in 8080 MCU parallel interface. -If not used, please fix this pin at VDDI or DGND.	MCU
WRX	I	-Write enable in MCU parallel interface. - Display data/command selection pin in 4-line serial interface. - Second Data lane in 2 data lane serial interface. -If not used, please fix this pin at VDDI or DGND.	MCU
VSYNC	I	-Vertical (Frame) synchronizing input signal for RGB interface operation. -If not used, please fix to the VDDI or DGND.	MCU
HSYNC	I	-Horizontal (Line) synchronizing input signal for RGB interface operation. - If not used, please fix to VDDI or DGND.	MCU
ENABLE	I	-Data enable signal for RGB interface operation. -If not used, please fix this pin at VDDI or DGND.	MCU
DOTCLK	I	-Dot clock signal for RGB interface operation. -If not used, please fix this pin at VDDI or DGND.	MCU
SDA	I/O	-When IM3: Low, SPI interface input/output pin. -When IM3: High, SPI interface input pin. -The data is latched on the rising edge of the SCL signal. -If not used, please fix this pin at VDDI or DGND level.	MCU
SDO	O	-SPI interface output pin. -The data is output on the falling edge of the SCL signal. -If not used, let this pin open.	MCU
DB[17:0]	I/O	-DB[17:0] are used as MCU parallel interface data bus. 8-bit I/F: when IM3:0, DB[7:0] are used; when IM3:1, DB[17:10] are used. 9-bit I/F: when IM3:0, DB[8:0] are used; when IM3:1, DB[17:9] are used. 16-bit I/F: when IM3:0, DB[15:0] are used; when IM3:1, DB[17:10] and DB[8:1] are used. 18-bit I/F: DB[17:0] are used. -DB[17:0] are used as RGB interface data bus. 6-bit RGB I/F: DB[5:0] are used. 16-bit RGB I/F: DB[17:13], DB[11:1] are used. 18-bit RGB I/F: DB[17:0] are used. -If not used, please fix this pin at VDDI or DGND.	MCU
TE	O	-Tearing effect signal is used to synchronize MCU to frame memory writing.	MCU

Name	I/O	Description	Connect Pin
		-If not used, please let this pin open	

Note1. "1" = VDDI level, "0" = DGND level.

Note2. When in parallel mode, unused data pins must be connected to "1" or "0".

Note3. When CSX="1", there is no influence to the parallel and serial interface.

**6.3 Driver Output Pins**

Name	I/O	Description	Connect pin
S1 to S720	O	-Source driver output pad.	LCD
G1 to G320	O	-Gate driver output pad. VGH: Selecting Gate Lines Level. VGL: Non-selecting Gate Lines Level.	LCD
AVDD	O	-Power pad for analog circuit.	OPEN
VAP(GVDD)	O	- A power output of grayscale voltage generator.	OPEN
AVCL	O	- A power supply pin for generating VAN.	OPEN
VAN(GVCL)	O	- A power output (Negative) of grayscale voltage generator.	OPEN
VGH	O	- Power output pin for gate driver	OPEN
VGL	O	- Power output (Negative) pin for gate driver	OPEN
VCC	O	- Monitoring pin of internal digital reference voltage.	OPEN
VCOM	O	- A power supply for the TFT-LCD common electrode.	Common Electrode
LED_PWM	O	-Output pad for PWM output signal to driving LED. -If not used, keep it open.	-
LED_EN	O	-Output pad for enabling LED. -If not used, keep it open.	-

**6.4 Test and other pins**

TEST3~TEST0	I	Input pins for testing. Please open these pins.	OPEN
TE2	O	Output pin for testing. Please keep this pin floating.	OPEN
TEST06~TEST01	O	Output pins for testing. Please keep these pins floating.	OPEN
DUMMY	-	These pins are dummy (no electrical characteristic) Can pass signal through these pads on TFT panel. Please open these pins.	OPEN
DUMMYR1 DUMMYR2	-	These pins are dummy (no electrical characteristic). DUMMYR1 and DUMMYR2 are connected each other internally.	OPEN
VAG VDDS VDDGX V20	O	Used for monitoring Please keep these pins floating.	OPEN

**7 DRIVER ELECTRICAL CHARACTERISTICS**

**7.1 Absolute Operation Range**

Item	Symbol	Rating	Unit
Supply Voltage	VDD	- 0.3 ~ +4.6	V
Supply Voltage (Logic)	VDDI	- 0.3 ~ +4.6	V
Driver Supply Voltage	VGH-VGL	-0.3 ~ +30.0	V
Logic Input Voltage Range	VIN	0.5 ~ VDDI + 0.5	V
Logic Output Voltage Range	VO	0.5 ~ VDDI + 0.5	V
Operating Temperature Range	TOPR	-30 ~ +85	°C
Storage Temperature Range	TSTG	-40 ~ +125	°C

**Table 1 Absolute Operation Range**

*Note: If one of the above items is exceeded its maximum limitation momentarily, the quality of the product may be degraded.*

*Absolute maximum limitation, therefore, specify the values exceeding which the product may be physically damaged. Be sure to use the product within the recommend range.*

**7.2 DC Characteristics**

Parameter	Symbol	Condition	Specification			Unit	Related Pins
			MIN.	TYP.	MAX.		
Power & Operation Voltage							
System Voltage	VDD	Operating voltage	2.4	2.75	3.3	V	
Interface Operation Voltage	VDDI	I/O Supply Voltage	1.65	1.8	3.3	V	
Gate Driver High Voltage	VGH		12.2		14.97	V	Note 4
Gate Driver Low Voltage	VGL		-12.5		-7.16	V	
Gate Driver Supply Voltage		VGH-VGL	21.97		24.7	V	Note 5
Input / Output							
Logic-High Input Voltage	VIH		0.7VDDI		VDDI	V	Note 1
Logic-Low Input Voltage	VIL		VSS		0.3VDDI	V	Note 1
Logic-High Output Voltage	VOH	IOH = -1.0mA	0.8VDDI		VDDI	V	Note 1
Logic-Low Output Voltage	VOL	IOL = +1.0mA	VSS		0.2VDDI	V	Note 1
Logic-High Input Current	IIH	VIN = VDDI			1	uA	Note 1
Logic-Low Input Current	IIL	VIN = VSS	-1			uA	Note 1
Input Leakage Current	IIL	IOH = -1.0mA	-0.1		+0.1	uA	Note 1
VCOM Voltage							
VCOM amplitude	VCOM			VSS		V	
Source Driver							
Source Output Range	Vsout		VAN		VAP	V	
Gamma Reference Voltage(Positive)	VAP		4.45		6.4	V	Note 6
Gamma Reference Voltage(Negative)	VAN		-4.6		-2.65	V	
Source Output Settling Time	Tr	Below with 99% precision			20	us	Note 2
Output Offset Voltage	VOFFSET				35	mV	Note 3

**Table 2 Basic DC Characteristics**
*Notes:*

1. TA= -30 to 70°C (to +85°C no damage).
2. Source channel loading= 2KΩ+12pF/channel, Gate channel loading=5KΩ+40pF/channel.
3. The Max. value is between measured point of source output and gamma setting value.
4. When evaluating the maximum and minimum of VGH, VDD=2.8V.
5. The maximum value of |VGH-VGL| can no over 30V.

6. Default register setting of Vcom and Vcomoffset is 20h

**7.3 Power Consumption**

*Ta=25°C, Frame rate = 60Hz, Registers setting are IC default setting.*

Operation Mode	Image	Current Consumption			
		Typical		Maximum	
		IDD (mA)	IDD (mA)	IDD (mA)	IDD (mA)
Normal Mode	Black	0.005	6.0	0.01	7.5
Partial + Idle Mode (48 lines)	Black	0.005	5.0	0.01	6.0
Sleep-in Mode	N/A	0.005	0.015	0.01	0.03

**Table 3 Power Consumption**

Notes:

1. The Current Consumption is DC characteristics of ST7789S.
2. Typical: VDDI=1.8V, VDD=2.75V; Maximum: VDDI=1.65 to 3.3V, VDD=2.4 to 3.3V

7.4 AC Characteristics

7.4.1 8080 Series MCU Parallel Interface Characteristics: 18/16/9/8-bit Bus

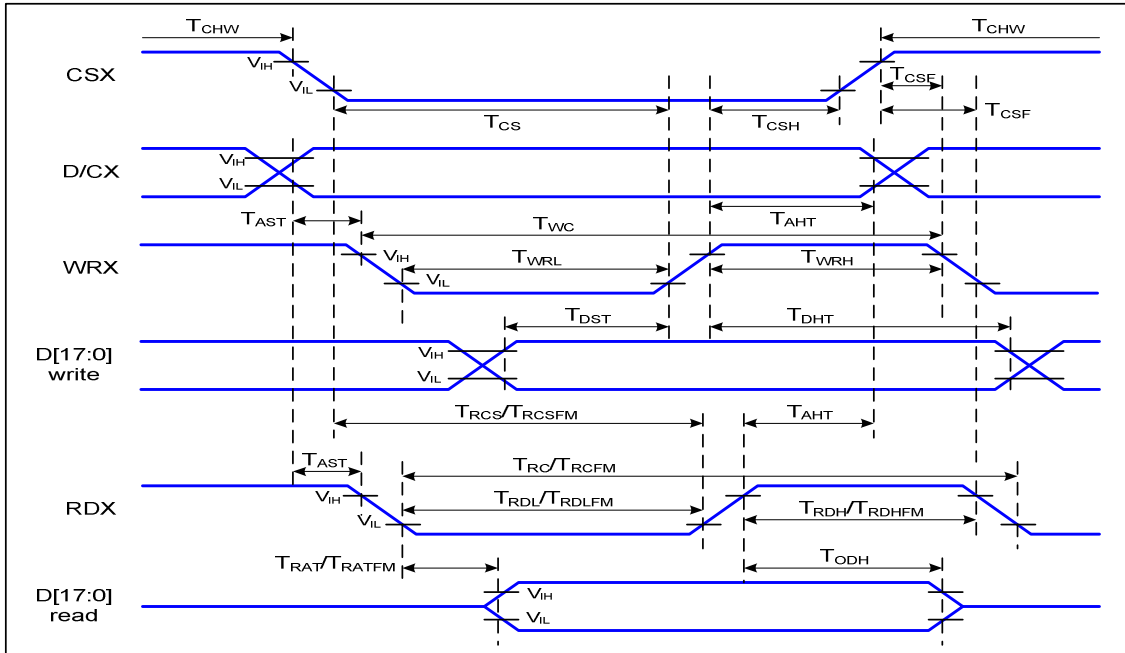


Figure 1 Parallel Interface Timing Characteristics (8080-Series MCU Interface)

VDDI=1.65 to 3.3V, VDD=2.4 to 3.3V, AGND=DGND=0V, Ta= -30 to 70 °C

Signal	Symbol	Parameter	Min	Max	Unit	Description
D/CX	T <sub>AST</sub>	Address setup time	0		ns	-
	T <sub>AHT</sub>	Address hold time (Write/Read)	10		ns	
CSX	T <sub>CHW</sub>	Chip select "H" pulse width	0		ns	-
	T <sub>CS</sub>	Chip select setup time (Write)	15		ns	
	T <sub>RCS</sub>	Chip select setup time (Read ID)	45		ns	
	T <sub>RCSFM</sub>	Chip select setup time (Read FM)	355		ns	
	T <sub>CSF</sub>	Chip select wait time (Write/Read)	10		ns	
	T <sub>CSH</sub>	Chip select hold time	10		ns	
WRX	T <sub>WC</sub>	Write cycle	66		ns	-
	T <sub>WRH</sub>	Control pulse "H" duration	15		ns	
	T <sub>WRL</sub>	Control pulse "L" duration	15		ns	
RDX (ID)	T <sub>RC</sub>	Read cycle (ID)	160		ns	When read ID data
	T <sub>RDH</sub>	Control pulse "H" duration (ID)	90		ns	
	T <sub>RDL</sub>	Control pulse "L" duration (ID)	45		ns	
RDX (FM)	T <sub>RCFM</sub>	Read cycle (FM)	450		ns	When read from frame memory
	T <sub>RDHFM</sub>	Control pulse "H" duration (FM)	90		ns	
	T <sub>RDLFM</sub>	Control pulse "L" duration (FM)	355		ns	
D[17:0]	T <sub>DST</sub>	Data setup time	10		ns	For CL=30pF



	$T_{DHT}$	Data hold time	10		ns
	$T_{RAT}$	Read access time (ID)		40	ns
	$T_{RATFM}$	Read access time (FM)		340	ns
	$T_{ODH}$	Output disable time	20	80	ns

Table 4 8080 Parallel Interface Characteristics

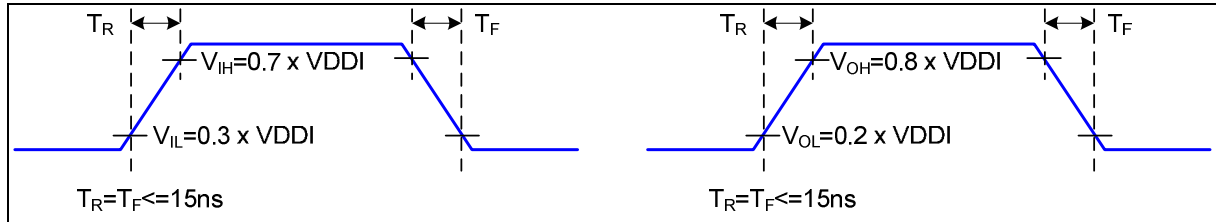


Figure 2 Rising and Falling Timing for I/O Signal

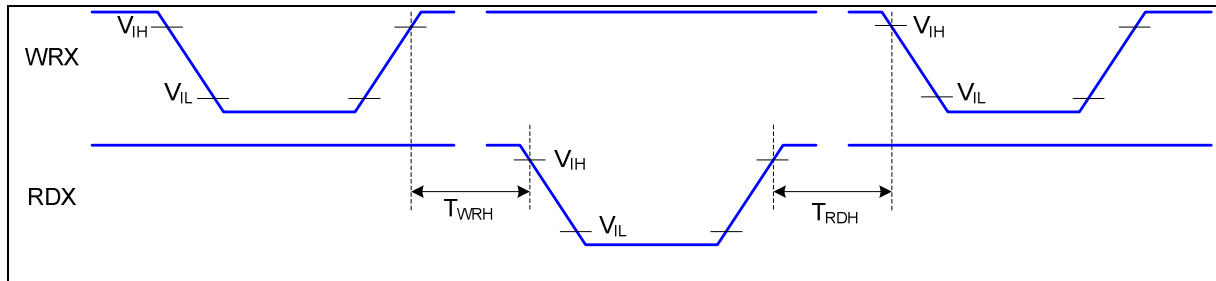


Figure 3 Write-to-Read and Read-to-Write Timing

Note: The rising time and falling time ( $T_r$ ,  $T_f$ ) of input signal and fall time are specified at 15 ns or less. Logic high and low levels are specified as 30% and 70% of VDDI for Input signals.

7.4.2 Serial Interface Characteristics (3-line serial):

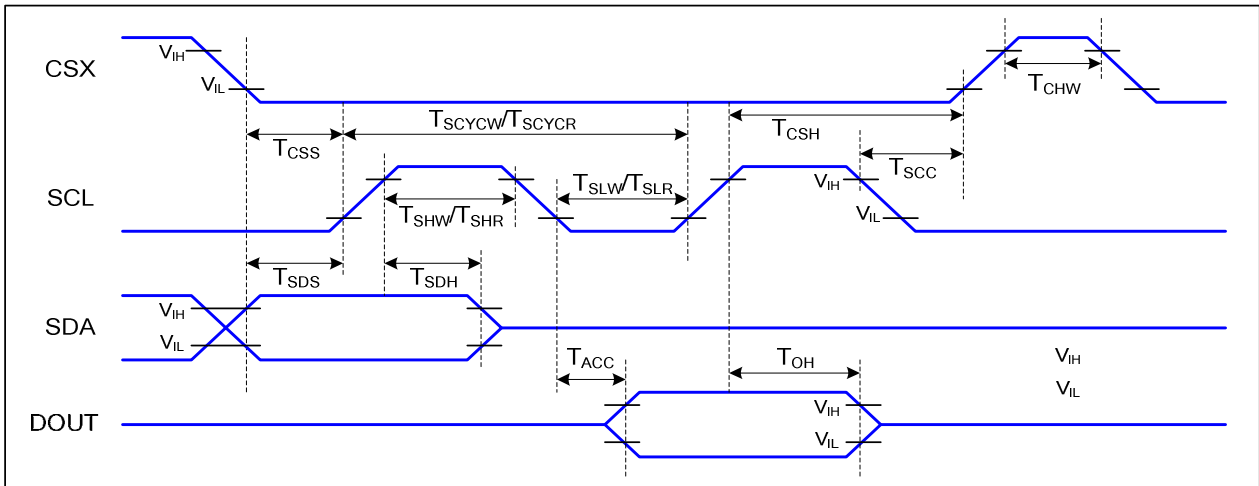


Figure 4 3-line serial Interface Timing Characteristics

VDDI=1.65 to 3.3V, VDD=2.4 to 3.3V, AGND=DGND=0V, Ta=-30 to 70 °C

Signal	Symbol	Parameter	Min	Max	Unit	Description
CSX	T <sub>CSS</sub>	Chip select setup time (write)	15		ns	
	T <sub>CSH</sub>	Chip select hold time (write)	15		ns	
	T <sub>CSS</sub>	Chip select setup time (read)	60		ns	
	T <sub>SCC</sub>	Chip select hold time (read)	65		ns	
	T <sub>CHW</sub>	Chip select "H" pulse width	40		ns	
SCL	T <sub>SCYCW</sub>	Serial clock cycle (Write)	66		ns	
	T <sub>SHW</sub>	SCL "H" pulse width (Write)	15		ns	
	T <sub>SLW</sub>	SCL "L" pulse width (Write)	15		ns	
	T <sub>SCYCR</sub>	Serial clock cycle (Read)	150		ns	
	T <sub>SHR</sub>	SCL "H" pulse width (Read)	60		ns	
	T <sub>SLR</sub>	SCL "L" pulse width (Read)	60		ns	
SDA (DIN)	T <sub>SDS</sub>	Data setup time	10		ns	
	T <sub>SDH</sub>	Data hold time	10		ns	
DOUT	T <sub>ACC</sub>	Access time	10	50	ns	For maximum CL=30pF
	T <sub>OH</sub>	Output disable time	15	50	ns	For minimum CL=8pF

Table 5 3-line serial Interface Characteristics

Note : The rising time and falling time (Tr, Tf) of input signal are specified at 15 ns or less. Logic high and low levels are specified as 30% and 70% of VDDI for Input signals.

7.4.3 Serial Interface Characteristics (4-line serial):

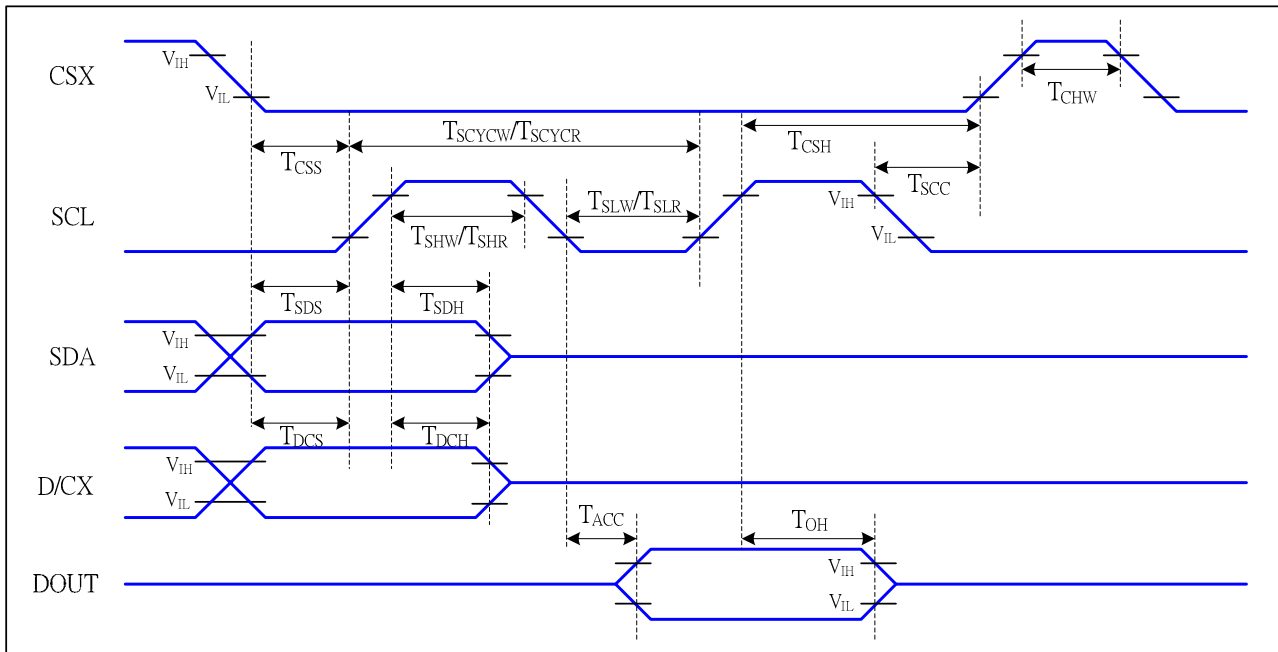


Figure 5 4-line serial Interface Timing Characteristics

V<sub>DDI</sub>=1.65 to 3.3V, V<sub>DD</sub>=2.4 to 3.3V, A<sub>GN</sub>D=D<sub>GN</sub>D=0V, T<sub>a</sub>=-30 to 70 °C

Signal	Symbol	Parameter	MIN	MAX	Unit	Description
CSX	T <sub>CSS</sub>	Chip select setup time (write)	15		ns	
	T <sub>CSH</sub>	Chip select hold time (write)	15		ns	
	T <sub>CSS</sub>	Chip select setup time (read)	60		ns	
	T <sub>SCC</sub>	Chip select hold time (read)	65		ns	
	T <sub>CHW</sub>	Chip select "H" pulse width	40		ns	
SCL	T <sub>SCYCW</sub>	Serial clock cycle (Write)	66		ns	-write command & data ram
	T <sub>SHW</sub>	SCL "H" pulse width (Write)	15		ns	
	T <sub>SLW</sub>	SCL "L" pulse width (Write)	15		ns	
	T <sub>SCYCR</sub>	Serial clock cycle (Read)	150		ns	-read command & data ram
	T <sub>SHR</sub>	SCL "H" pulse width (Read)	60		ns	
	T <sub>SLR</sub>	SCL "L" pulse width (Read)	60		ns	
D/CX	T <sub>DCS</sub>	D/CX setup time	10		ns	
	T <sub>DCH</sub>	D/CX hold time	10		ns	
SDA (DIN)	T <sub>SDS</sub>	Data setup time	10		ns	
	T <sub>SDH</sub>	Data hold time	10		ns	
DOUT	T <sub>ACC</sub>	Access time	10	50	ns	For maximum CL=30pF
	T <sub>OH</sub>	Output disable time	15	50	ns	For minimum CL=8pF

Table 6 4-line serial Interface Characteristics

Note : The rising time and falling time (T<sub>r</sub>, T<sub>f</sub>) of input signal are specified at 15 ns or less. Logic high and low levels are specified as

30% and 70% of VDDI for Input signals.

7.4.4 RGB Interface Characteristics:

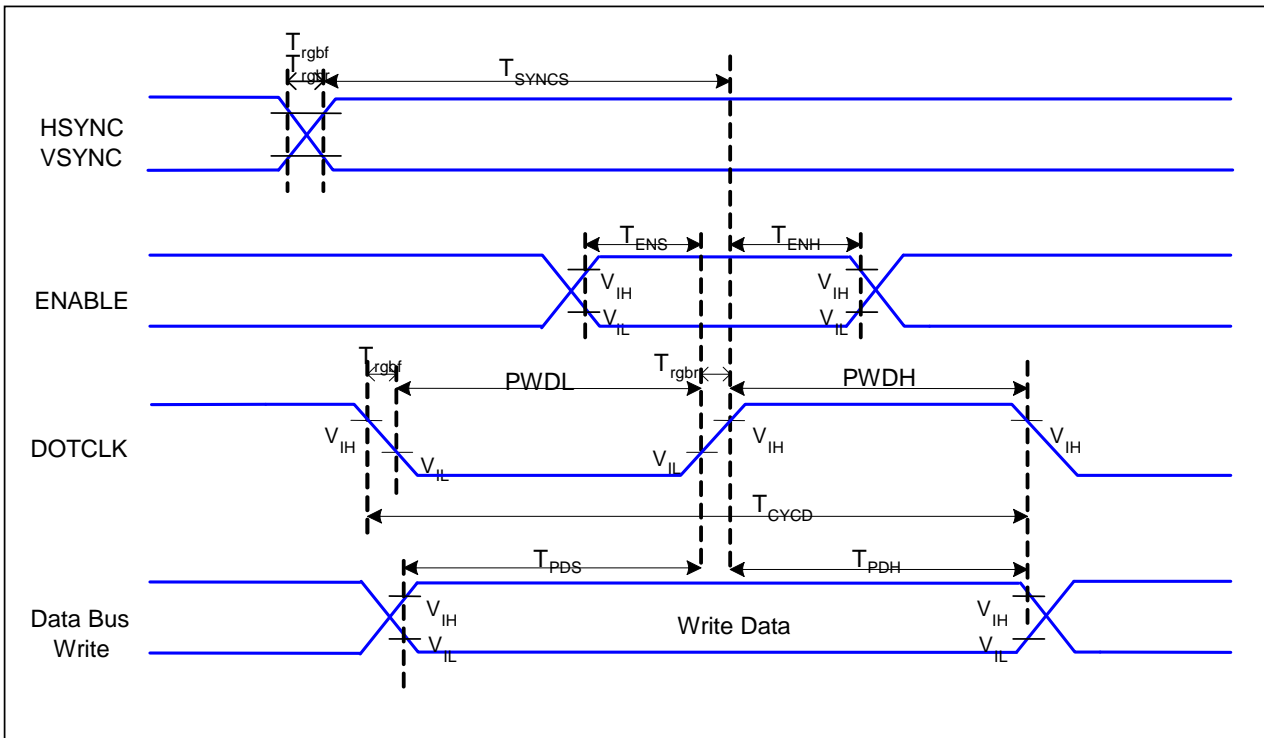


Figure 6 RGB Interface Timing Characteristics

VDDI=1.65 to 3.3V, VDD=2.4 to 3.3V, AGND=DGND=0V, Ta=-30 ~ 70 °C

Signal	Symbol	Parameter	MIN	MAX	Unit	Description
HSYNC, VSYNC	$T_{SYNCS}$	VSYNC, HSYNC Setup Time	30	-	ns	
ENABLE	$T_{ENS}$	Enable Setup Time	25	-	ns	
	$T_{ENH}$	Enable Hold Time	25	-	ns	
DOTCLK	PWDH	DOTCLK High-level Pulse Width	60	-	ns	
	PWDL	DOTCLK Low-level Pulse Width	60	-	ns	
	$T_{CYCD}$	DOTCLK Cycle Time	120	-	ns	
	Trghr, Trghf	DOTCLK Rise/Fall time	-	20	ns	
DB	$T_{PDS}$	PD Data Setup Time	50	-	ns	
	$T_{PDH}$	PD Data Hold Time	50	-	ns	

Table 7 18/16 Bits RGB Interface Timing Characteristics

7.4.5 Reset Timing:

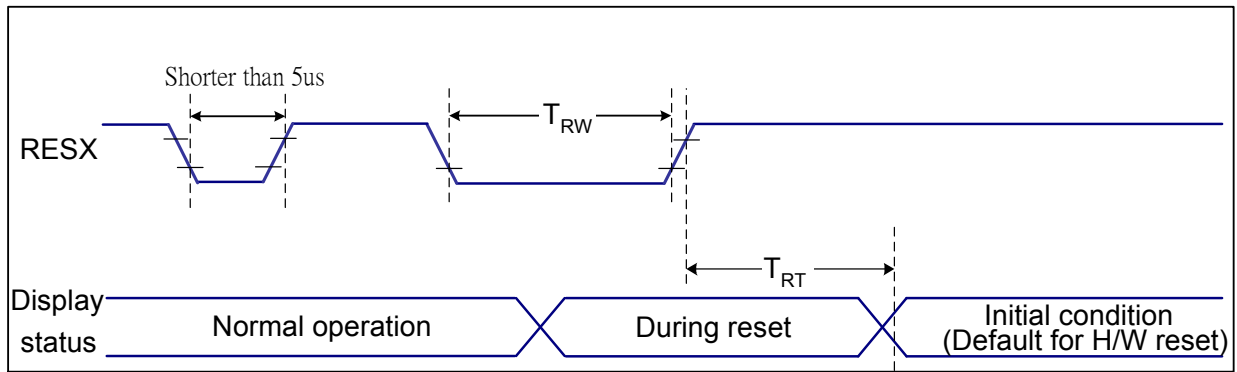


Figure 7 Reset Timing

VDDI=1.65 to 3.3V, VDD=2.4 to 3.3V, AGND=DGND=0V, Ta=-30 ~ 70 °C

Related Pins	Symbol	Parameter	MIN	MAX	Unit
RESX	TRW	Reset pulse duration	10	-	us
	TRT	Reset cancel	-	5 (Note 1, 5)	ms
				120 (Note 1, 6, 7)	ms

Table 8 Reset Timing

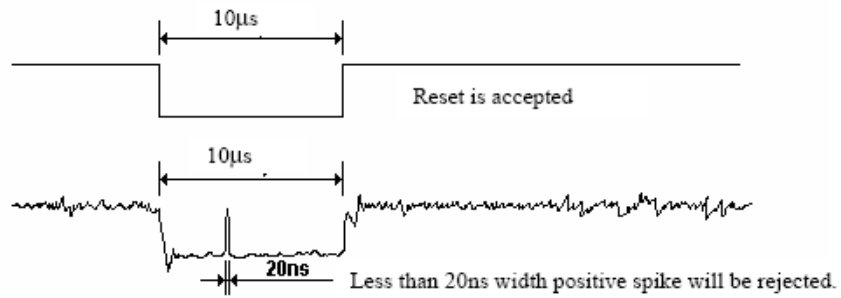
Notes:

- The reset cancel includes also required time for loading ID bytes, VCOM setting and other settings from NVM (or similar device) to registers. This loading is done every time when there is HW reset cancel time (tRT) within 5 ms after a rising edge of RESX.
- Spike due to an electrostatic discharge on RESX line does not cause irregular system reset according to the table below:

RESX Pulse	Action
Shorter than 5us	Reset Rejected
Longer than 9us	Reset
Between 5us and 9us	Reset starts

3. During the Resetting period, the display will be blanked (The display is entering blanking sequence, which maximum time is 120 ms, when Reset Starts in Sleep Out –mode. The display remains the blank state in Sleep In –mode.) and then return to Default condition for Hardware Reset.

4. Spike Rejection also applies during a valid reset pulse as shown below:



5. When Reset applied during Sleep In Mode.

6. When Reset applied during Sleep Out Mode.

7. It is necessary to wait 5msec after releasing RESX before sending commands. Also Sleep Out command cannot be sent for 120msec.

**8 FUNCTION DESCRIPTION**

**8.1 MPU Interface Type Selection**

ST7789S supports 8/16/9/18 bit parallel data bus for 8080 series CPU, RGB serial interfaces. Selection of these interfaces are set by IM[3:0] pins as shown below.

IM3	IM2	IM1	IM0	Interface	Read Back Data Bus Selection
0	0	0	0	80-8bit parallel I/F	DB[7:0]
0	0	0	1	80-16bit parallel I/F	DB[15:0]
0	0	1	0	80-9bit parallel I/F	DB[8:0]
0	0	1	1	80-18bit parallel I/F	DB[17:0],
0	1	0	1	3-line 9bit serial I/F	SDA: in/out
				2 data lane serial I/F	SDA: in/out, WRX: in
0	1	1	0	4-line 8bit serial I/F	SDA: in/out
1	0	0	0	80-16bit parallel I/F II	DB[17:10], DB[8:1]
1	0	0	1	80-8bit parallel I/F II	DB[17:10]
1	0	1	0	80-18bit parallel I/F II	DB[17:0],
1	0	1	1	80-9bit parallel I/F II	DB[17:9]
1	1	0	1	3-line 9bit serial I/F II	SDA: in/ SDO: out
1	1	1	0	4-line 8bit serial I/F II	SDA: in/ SDO: out

**Table 9 Interface Type Selection**



**8.2 8080- I Series MCU Parallel Interface**

The MCU can use one of following interfaces: 11-lines with 8-data parallel interface, 12-lines with 9-data parallel interface, 19-line with 16-data parallel interface or 21-lines with 18-data parallel interface. The chip-select CSX (active low) enables/disables the parallel interface. RESX (active low) is an external reset signal. WRX is the parallel data write enable, RDX is the parallel data read enable and D[17:0] is parallel data bus.

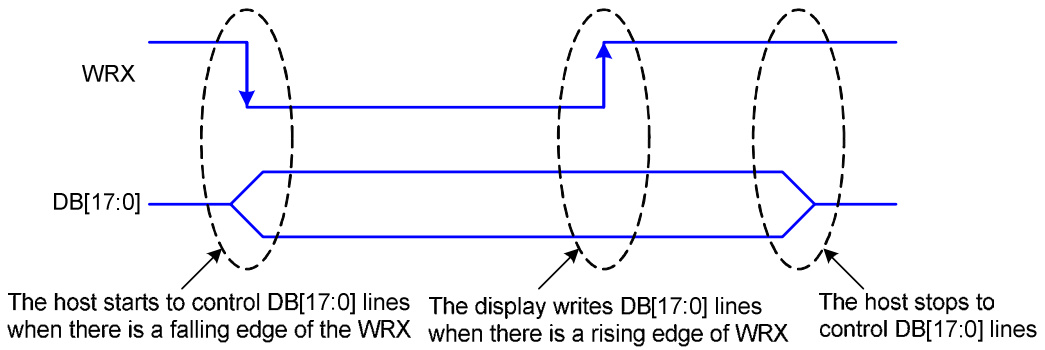
The LCD driver reads the data at the rising edge of WRX signal. The D/CX is the data/command flag. When D/CX='1', D[17:0] bits is either display data or command parameter. When D/C='0', D[17:0] bits is command. The interface functions of 8080-series parallel interface are given in following table.

IM3	IM2	IM1	IM0	Interface	D/CX	RDX	WRX	Read back selection
0	0	0	0	8-bit parallel	0	1	↑	Write 8-bit command (D7 to D0)
					1	1	↑	Write 8-bit display data or 8-bit parameter (D7 to D0)
					1	↑	1	Read 8-bit display data (D7 to D0)
					1	↑	1	Read 8-bit parameter or status (D7 to D0)
0	0	0	1	16-bit parallel	0	1	↑	Write 8-bit command (D7 to D0)
					1	1	↑	Write 16-bit display data or 8-bit parameter (D15 to D0)
					1	↑	1	Read 16-bit display data (D15 to D0)
					1	↑	1	Read 8-bit parameter or status (D7 to D0)
0	0	1	0	9-bit parallel	0	1	↑	Write 8-bit command (D7 to D0)
					1	1	↑	Write 9-bit display data or 8-bit parameter (D8 to D0)
					1	↑	1	Read 9-bit display data (D8 to D0)
					1	↑	1	Read 8-bit parameter or status (D7 to D0)
0	0	1	1	18-bit parallel	0	1	↑	Write 8-bit command (D7 to D0)
					1	1	↑	Write 18-bit display data or 8-bit parameter (D17 to D0)
					1	↑	1	Read 18-bit display data (D17 to D0)
					1	↑	1	Read 8-bit parameter or status (D7 to D0)

**Table 10 the function of 8080-series parallel interface**

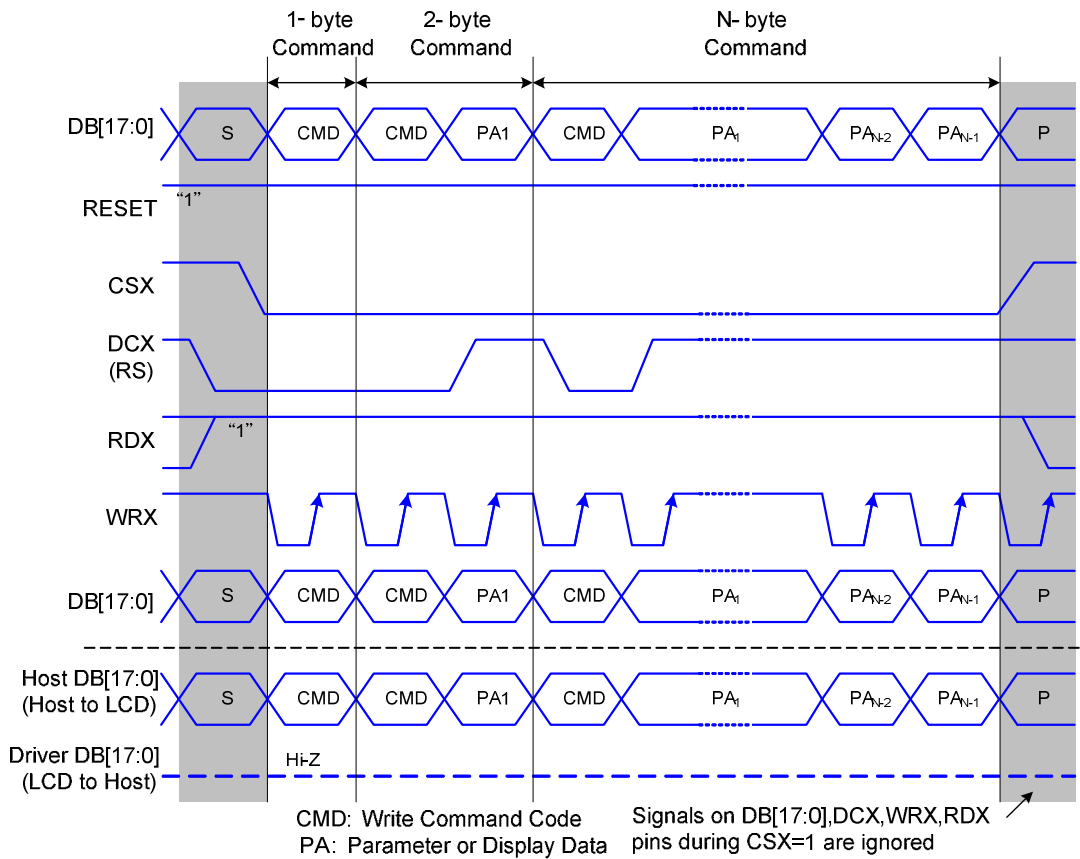
**8.2.1 Write cycle sequence**

The write cycle means that the host writes information (command / data) to the display via the interface. Each write cycle (WRX high-low-high sequence) consists of 3 control signals (DCX, RDX, WRX) and data signals (DB[17:0]). DCX bit is a control signal, which tells if the data is a command or a data. The data signals are the command if the control signal is low (=‘0’) and vice versa it is data (=‘1’).



**Figure 8 8080-Series WRX Protocol**

Note: WRX is an unsynchronized signal (It can be stopped).



**Figure 9 8080-Series Parallel Bus Protocol, Write to Register or Display RAM**

**8.2.2 Read cycle sequence**

The read cycle (RDX high-low-high sequence) means that the host reads information from LCD driver via interface. The driver sends data (D[17:0]) to the host when there is a falling edge of RDX and the host reads data when there is a rising edge of RDX.

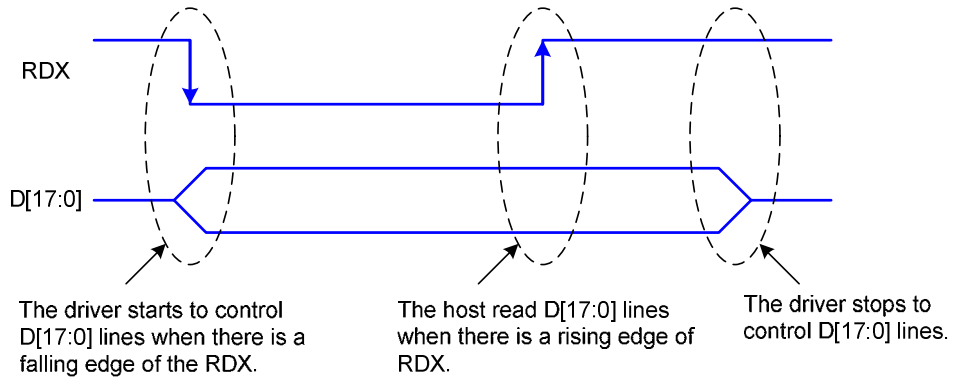


Figure 10 8080-series RDX protocol

Note: RDX is an unsynchronized signal (It can be stopped).

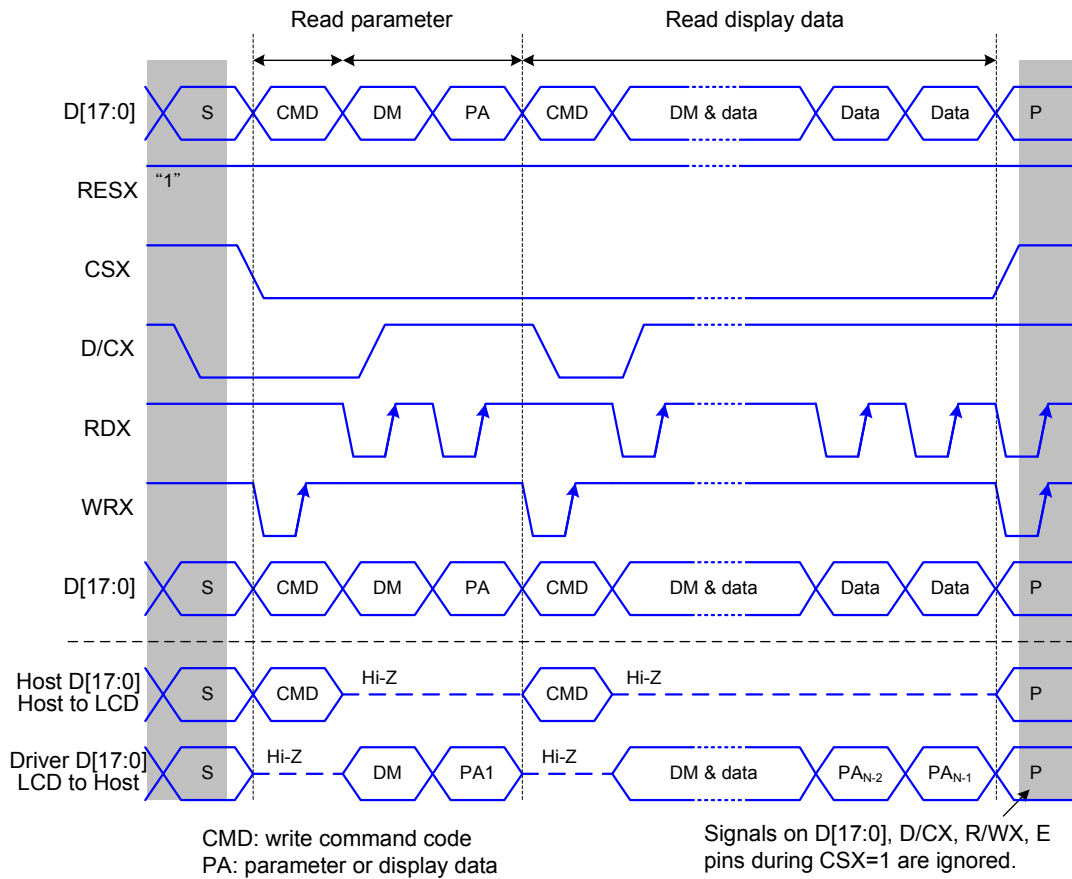


Figure 11 8080-series parallel bus protocol, read data from register or display RAM

**8.3 8080- II series MCU Parallel Interface**

The MCU uses one of following interface: 11-lines with 8-data parallel interface, 12-lines with 9-data parallel interface, 19-lines with 16-data parallel interface, or 21-lines with 18-data parallel interface. The chip-select CSX(active low) enables and disables the parallel interface. RESX (active low) is an external reset signal. The R/WX is the Read/Write flag and D[17:0] is parallel data bus.

The LCD driver reads the data at the rising edge of WRX signal. The D/CX is the data/command flag. When D/CX='1', D[17:0] bits is either display data or command parameter. When D/C='0', D[17:0] bits is command.

The 8080- II series bi-directional interface can be used for communication between the micro controller and LCD driver. Interface bus width can be selected with IM3, IM2, IM1 and IM0.The interface functions of 8080- II series parallel interface are given in Table 11 The function of 8080- II series parallel interface.

IM3	IM2	IM1	IM0	Interface	D/CX	RDX	WRX	Function
1	0	0	0	16-bit Parallel	0	1	↑	Write 8-bit command (D[8:1])
					1	1	↑	Write 16-bit display data or 8-bit parameter (D[17:10], D[8:1])
					1	↑	1	Read 16-bit Display data (D[17:10], D[8:1])
					1	↑	1	Read 8-bit parameter or status (D[8:1])
1	0	0	1	8-bit Parallel	0	1	↑	Write 8-bit command (D[17:10])
					1	1	↑	Write 8-bit display data or 8-bit parameter (D[17:10])
					1	↑	1	Read 8-bit Display data (D[17:10])
					1	↑	1	Read 8-bit parameter or status (D[17:10])
1	0	1	0	18-bit Parallel	0	1	↑	Write 8-bit command (D[8:1])
					1	1	↑	Write 18-bit display data or 8-bit parameter (D[17:0], D[8:1])
					1	↑	1	Read 18-bit Display data (D[17:0])
					1	↑	1	Read 8-bit parameter or status (D[8:1])
1	0	1	1	9-bit Parallel	0	1	↑	Write 8-bit command (D[17:10])
					1	1	↑	Write 9-bit display data or 8-bit parameter (D[17:9])
					1	↑	1	Read 9-bit Display data (D[17:9])
					1	↑	1	Read 8-bit parameter or status (D[17:10])

**Table 11 The function of 8080- II series parallel interface**

8.4 Serial Interface

IM3	IM2	IM1	IM0	Interface	Read back selection
0	1	0	1	3-line serial interface I	Via the read instruction (8-bit, 24-bit and 32-bit read parameter)
0	1	1	0	4-line serial interface I	
1	1	0	1	3-line serial interface II	
1	1	1	0	4-line serial interface II	

Table 12 Selection of serial interface

The serial interface is either 3-lines/9-bits or 4-lines/8-bits bi-directional interface for communication between the micro controller and the LCD driver. The 3-lines serial interface use: CSX (chip enable), SCL (serial clock) and SDA (serial data input/output), and the 4-lines serial interface use: CSX (chip enable), D/CX (data/ command flag), SCL (serial clock) and SDA (serial data input/output). Serial clock (SCL) is used for interface with MCU only, so it can be stopped when no communication is necessary.

8.4.1 Pin description

3-line serial interface I

Pin Name	Description
CSX	Chip selection signal
DCX	Clock signal
SDA	Serial input/output data

4-line serial interface I

Pin Name	Description
CSX	Chip selection signal
WRX	Data is regarded as a command when WRX is low Data is regarded as a parameter or data when WRX is high
DCX	Clock signal
SDA	Serial input/output data

3-line serial interface II

Pin Name	Description
CSX	Chip selection signal
DCX	Clock signal
SDA	Serial input data
SDO	Serial output data

4-line serial interface II

Pin Name	Description
CSX	Chip selection signal
WRX	Data is regarded as a command when WRX is low Data is regarded as a parameter or data when WRX is high

DCX	Clock signal
SDA	Serial input data
SDO	Serial output data

Table 13 pin description of serial interface

8.4.2 Command write mode

The write mode of the interface means the micro controller writes commands and data to the LCD driver. 3-lines serial data packet contains a control bit D/CX and a transmission byte. In 4-lines serial interface, data packet contains just transmission byte and control bit D/CX is transferred by the D/CX pin. If D/CX is “low”, the transmission byte is interpreted as a command byte. If D/CX is “high”, the transmission byte is stored in the display data RAM (memory write command), or command register as parameter.

Any instruction can be sent in any order to the driver. The MSB is transmitted first. The serial interface is initialized when CSX is high. In this state, SCL clock pulse or SDA data have no effect. A falling edge on CSX enables the serial interface and indicates the start of data transmission.

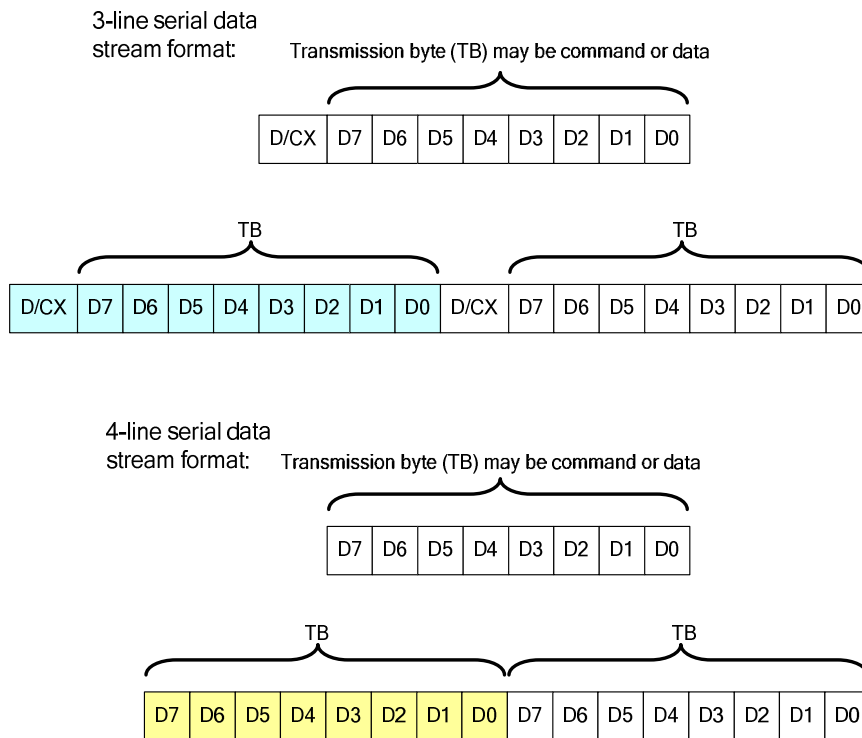


Figure 12 Serial interface data stream format

When CSX is “high”, SCL clock is ignored. During the high period of CSX the serial interface is initialized. At the falling edge of CSX, SCL can be high or low. SDA is sampled at the rising edge of SCL. D/CX indicates whether the byte is command (D/CX=’0’) or parameter/RAM data (D/CX=’1’). D/CX is sampled when first rising edge of SCL (3-line serial interface) or 8th rising edge of SCL (4-line serial interface). If CSX stays low after the last bit of command/data byte, the serial interface expects the D/CX bit (3-line serial interface) or D7 (4-line serial interface) of the next byte at the next rising edge of SCL..

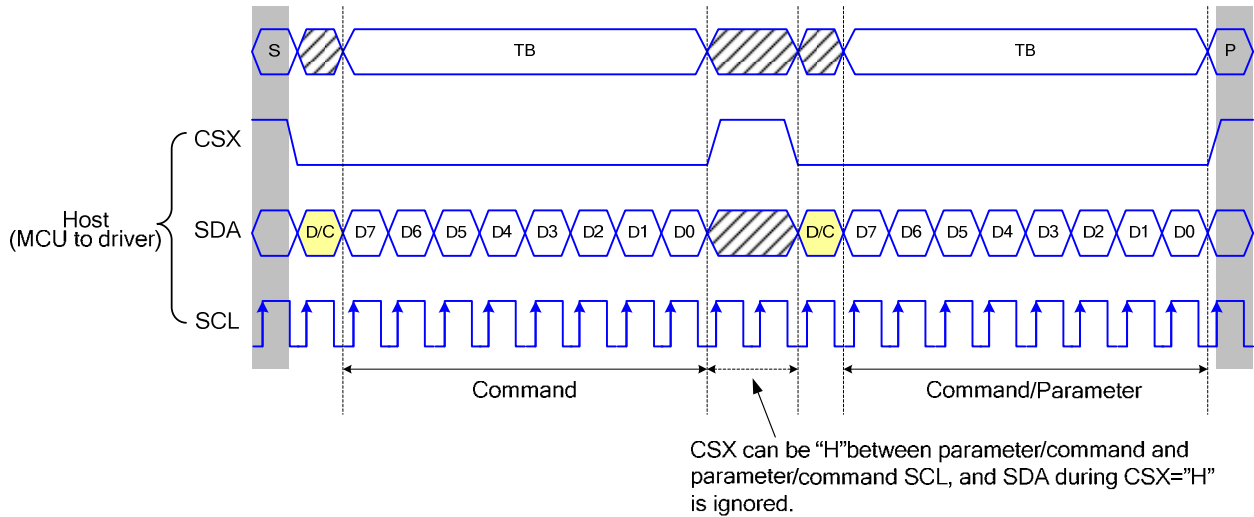


Figure 13 3-line serial interface write protocol (write to register with control bit in transmission)

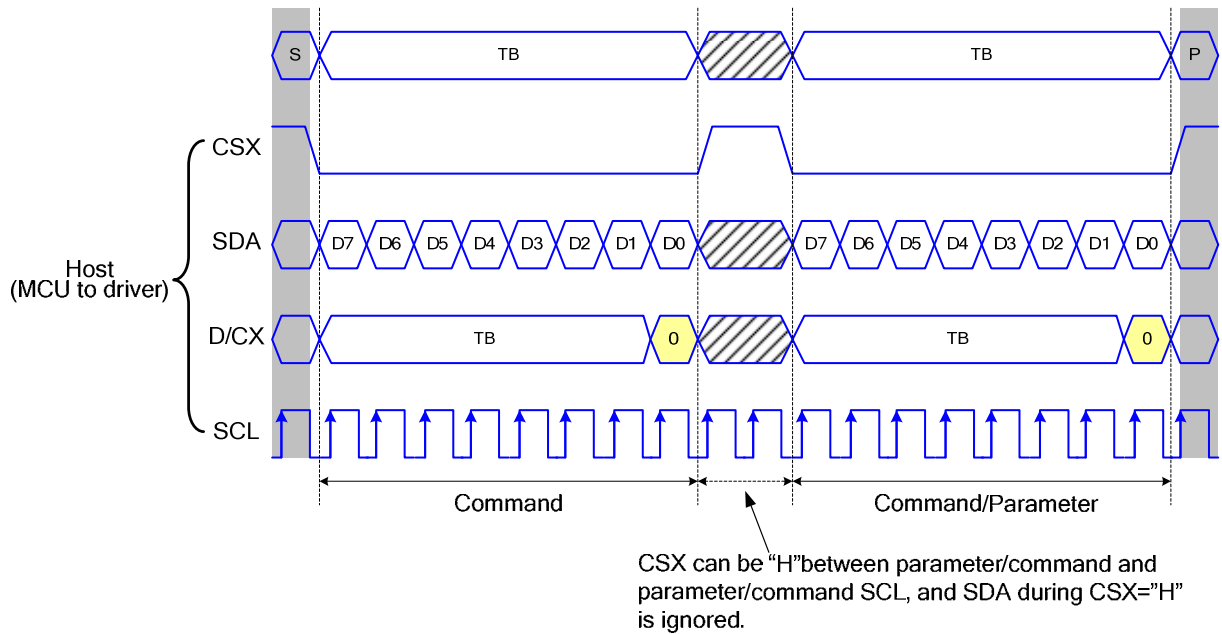


Figure 14 4-line serial interface write protocol (write to register with control bit in transmission)

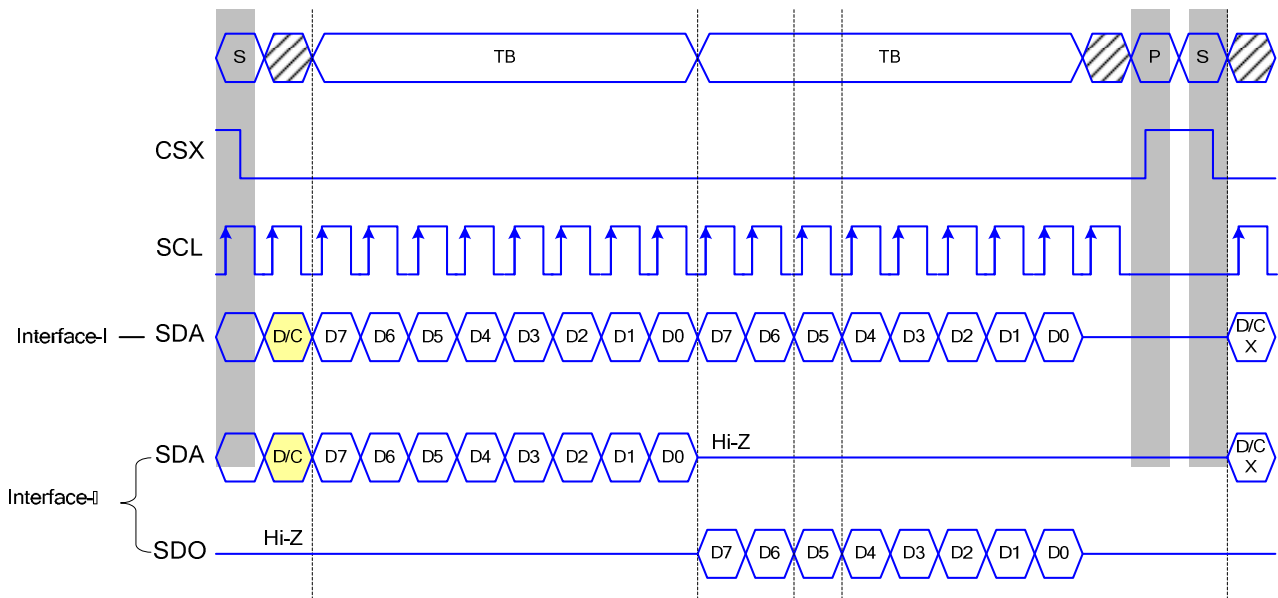
8.4.3 Read function

The read mode of the interface means that the micro controller reads register value from the driver. To achieve read function, the micro controller first has to send a command (read ID or register command) and then the following byte is transmitted in the opposite direction. After that CSX is required to go to high before a new command is send (see the below figure). The driver samples the SDA (input data) at rising edge of SCL, but shifts SDA (output data) at the falling edge of SCL. Thus the micro controller is supported to read at the rising edge of SCL.

After the read status command has been sent, the SDA line must be set to tri-state no later than at the falling edge of SCL of the last bit.

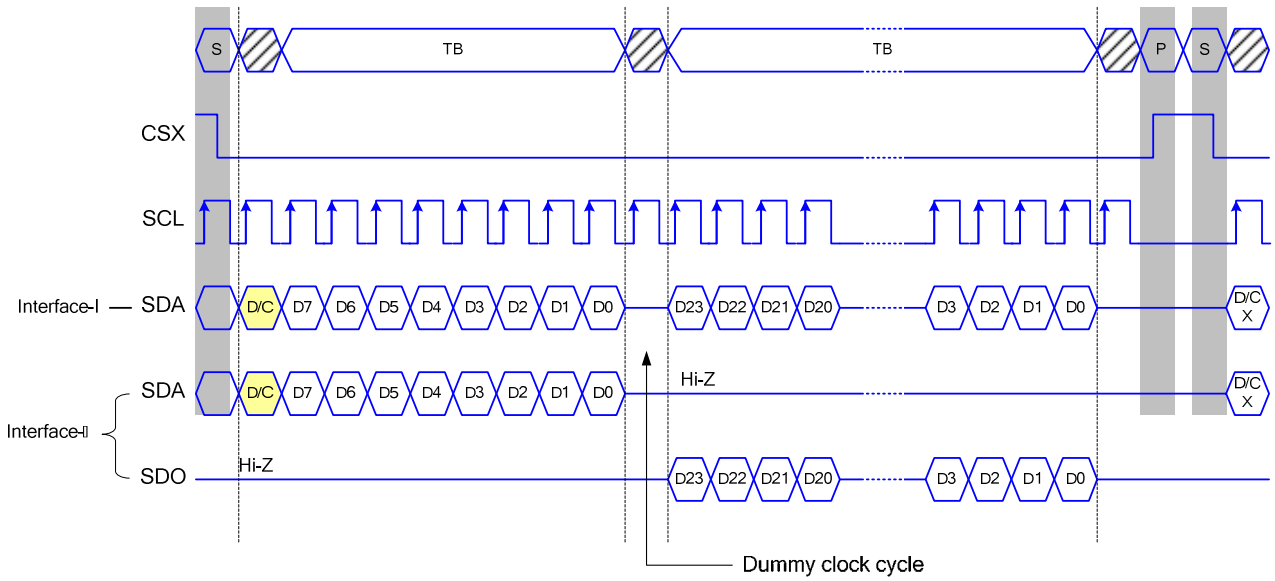
8.4.4 3-line serial interface I / II protocol

3-line serial protocol (for RDID1/RDID2/RDID3/0Ah/0Bh/0Ch/0Dh/0Eh/0Fh command: 8-bit read):





3-line serial protocol (for RDDID command: 24-bit read)



3-line Serial Protocol (for RDDST command: 32-bit read)

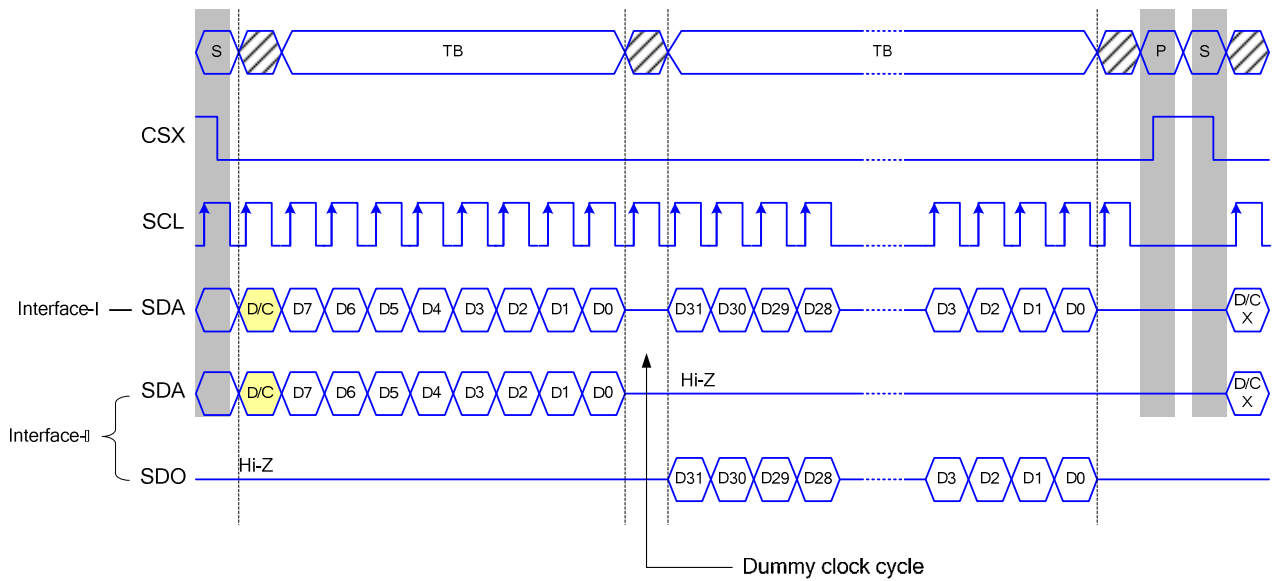
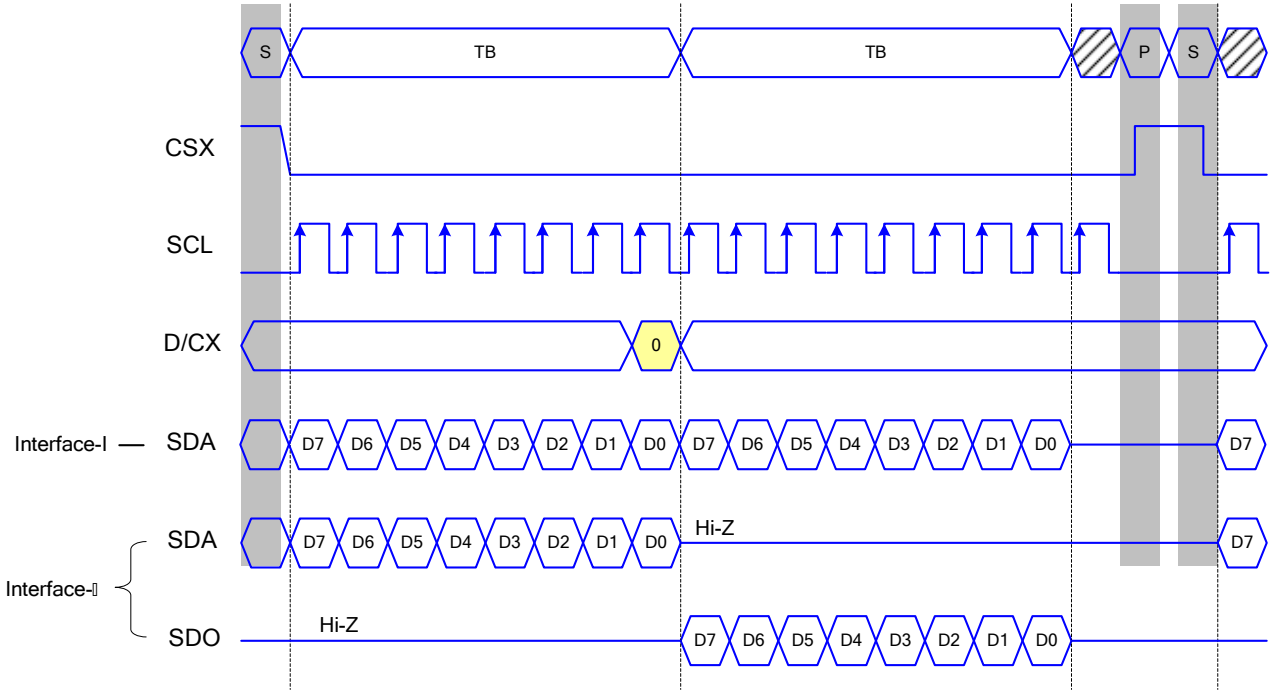


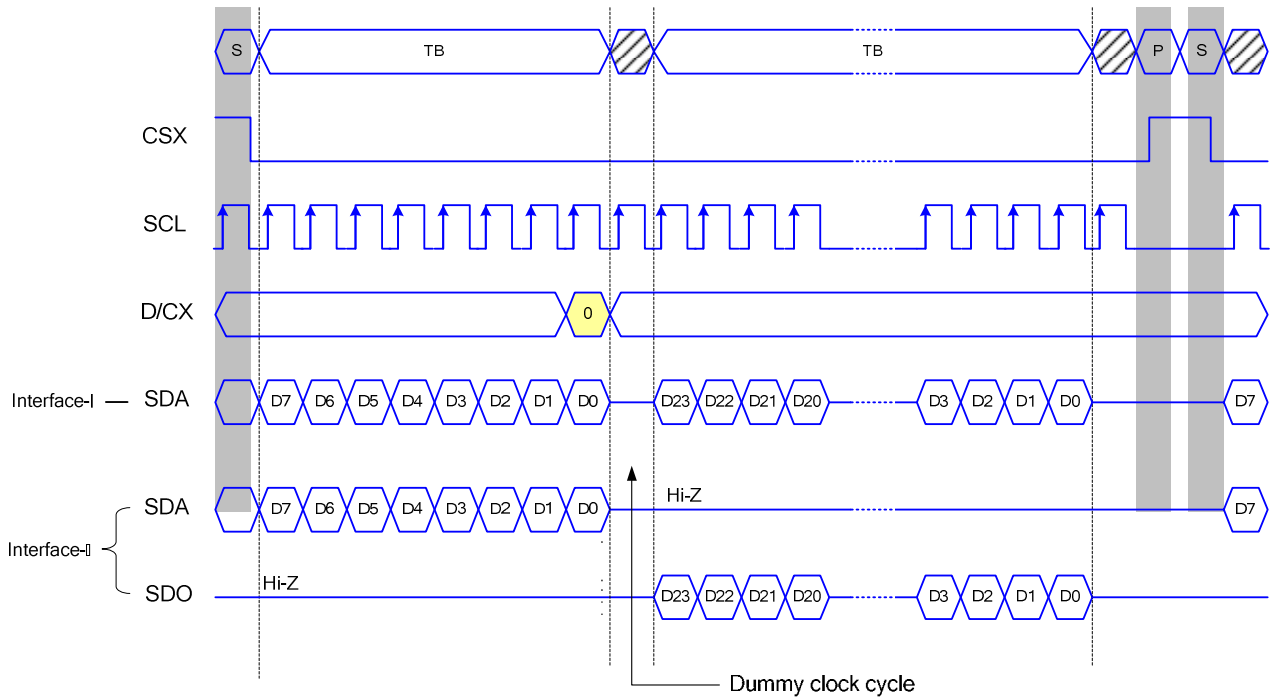
Figure 15 3-line serial interface read protocol

8.4.5 4-line serial protocol

4-line serial protocol (for RDID1/RDID2/RDID3/0Ah/0Bh/0Ch/0Dh/0Eh/0Fh command: 8-bit read):



4-line serial protocol (for RDDID command: 24-bit read)



4-line Serial Protocol (for RDDST command: 32-bit read)

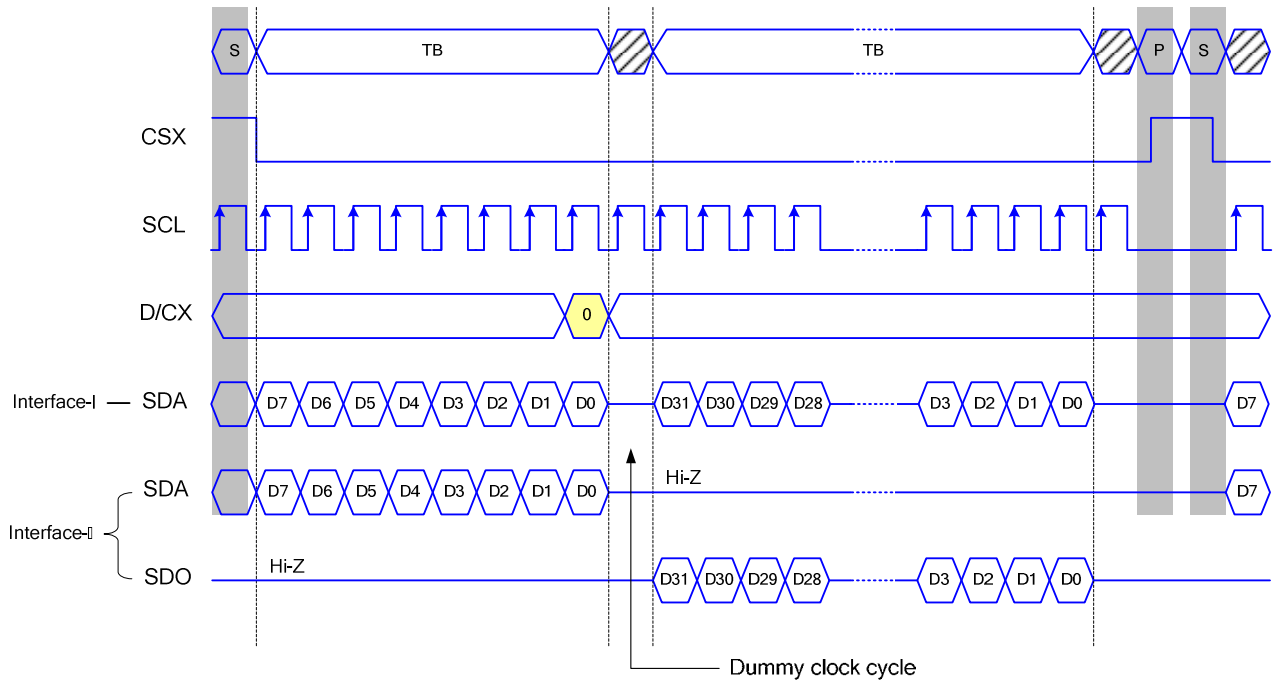


Figure 16 4-line serial interface read protocol

8.4.6 2 data lane serial Interface

Interface selection:

IM3	IM2	IM1	IM0	Interface	Read back selection
0	1	0	1	2 data lane serial interface	Via the read instruction (8-bit, 24-bit and 32-bit read)

Table 14 IM pin selection

2-wire data lane serial interface use: CSX (chip enable), DCX (serial clock) and SDA (serial data input/output 1), and WRX (serial data input 2). To enter this interface, command E7h need set 10h.

2 data lane hardware suggestion and Pin description:

2 data lane serial interface, IM[3:0]=0101

2 data lane serial interface

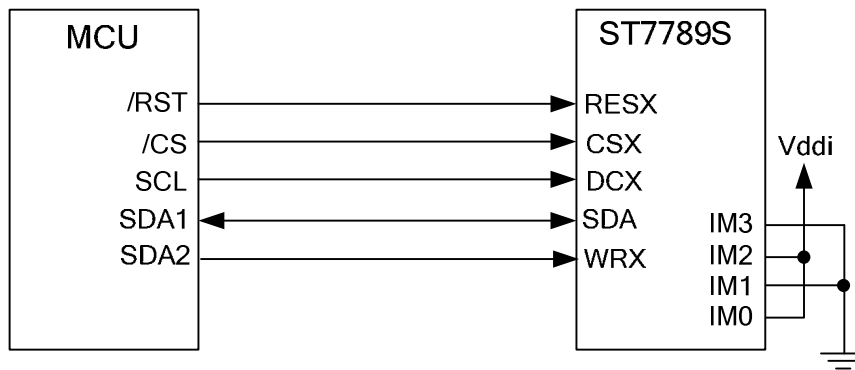


Figure 17 Hardware suggestion of 2 data lane serial interface

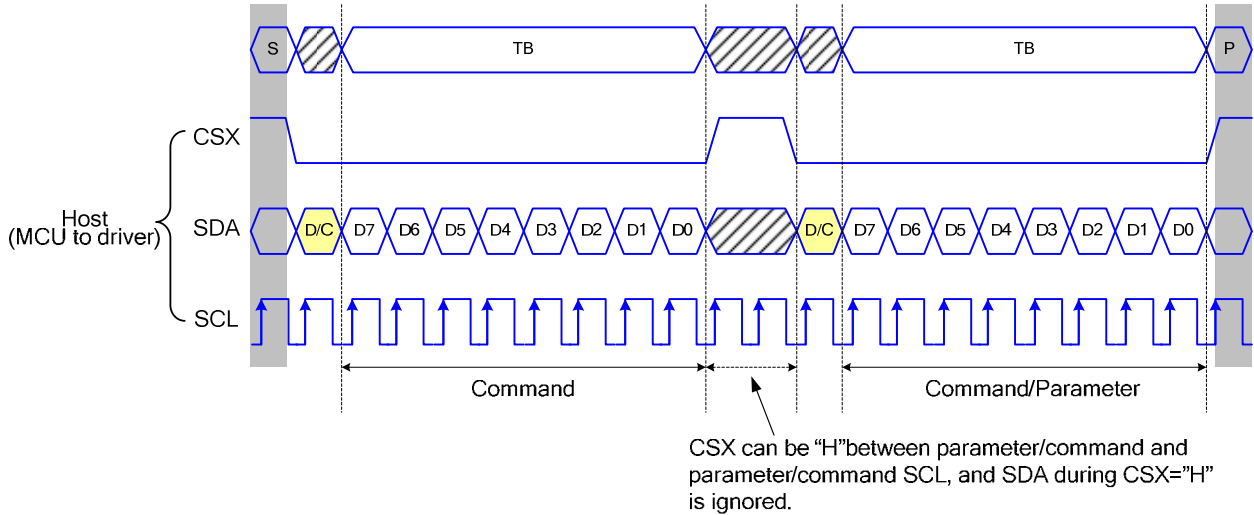
Pin Name	Description
CSX	Chip selection signal
DCX	Clock signal
SDA	Serial data input/output1
WRX	Serial data input2

Table 15 Pin description of 2 data lane serial interface

**Command write mode:**

The command write protocol of 2-wire data lane serial interface is the same with the 3-line serial interface, so users can ignore the input data of WRX.

Any instruction can be sent in any order to the driver. The MSB is transmitted first. The serial interface is initialized when CSX is high. In this state, SCL clock pulse or SDA data have no effect. A falling edge on CSX enables the serial interface and indicates the start of data transmission.



**Figure 18 3-line serial interface write protocol (write to register with control bit in transmission)**

**SRAM write mode:**

The SRAM write mode of 2-wire data line serial interface need use SDA pin and WRX pin to be data input pins.

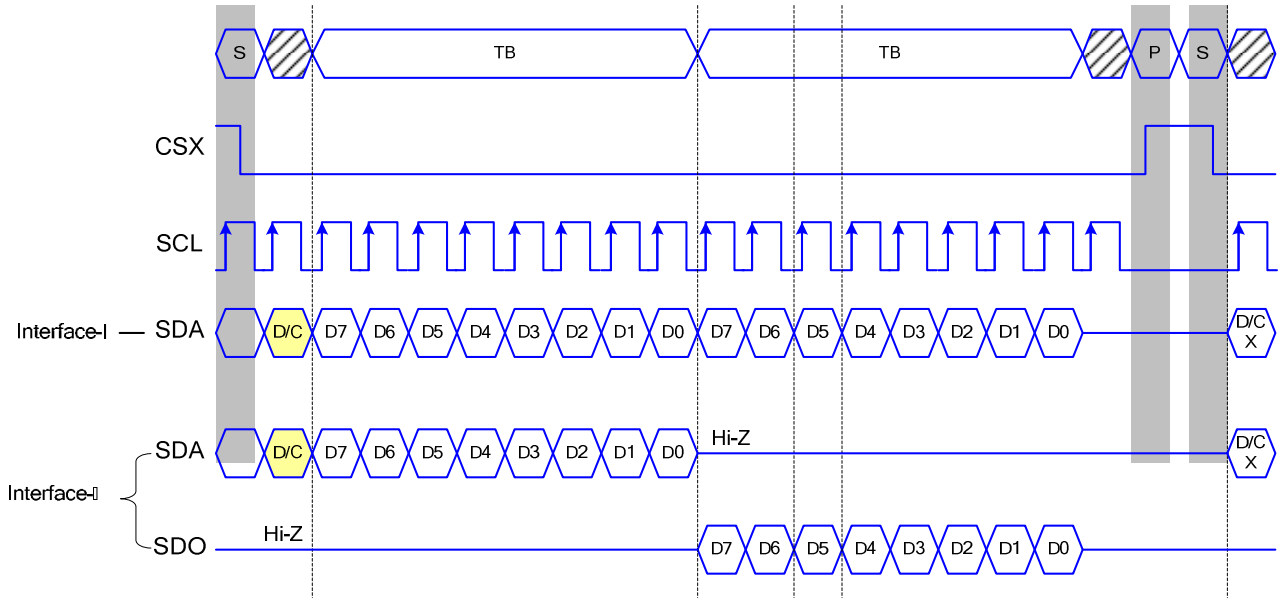
**Read function:**

The read mode of 2-wire data lane serial interface is the same with the 3-line serial interface and WRX pin can be ignored. To achieve read function, the micro controller first has to send a command (read ID or register command) and then the following byte is transmitted in the opposite direction. After that CSX is required to go to high before a new command is send (see the below figure). The driver samples the SDA (input data) at rising edge of SCL, but shifts SDA (output data) at the falling edge of SCL. Thus the micro controller is supported to read at the rising edge of SCL.

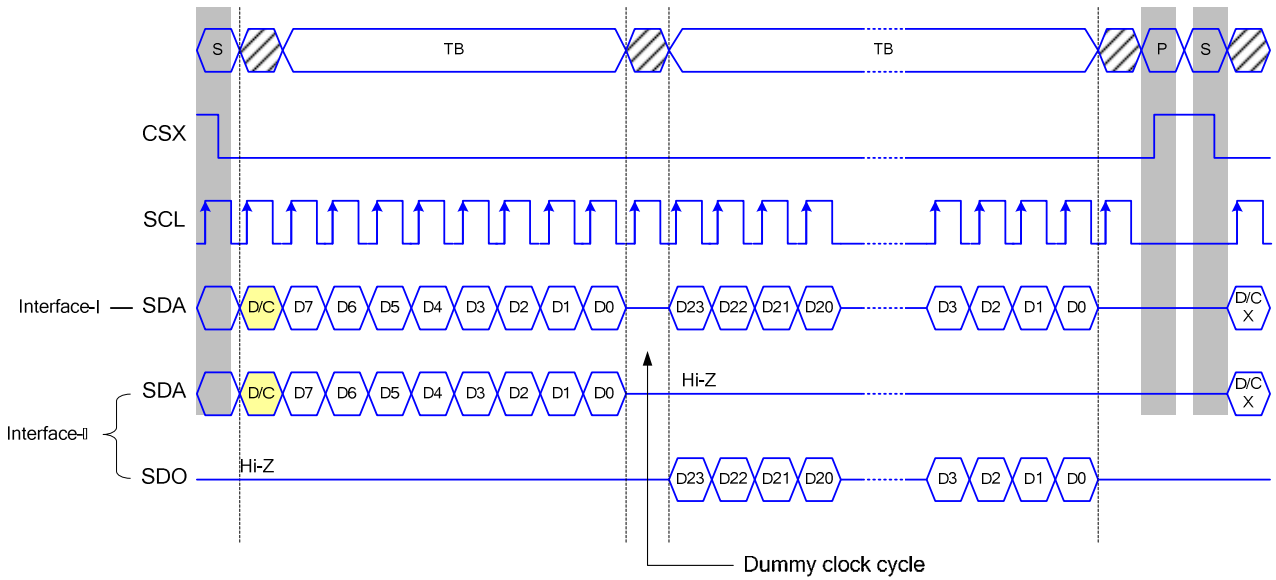
After the read status command has been sent, the SDA line must be set to tri-state no later than at the falling edge of SCL of the last bit.

**3-line serial interface I /II protocol:**

3-line serial protocol (for RDID1/RDID2/RDID3/0Ah/0Bh/0Ch/0Dh/0Eh/0Fh command: 8-bit read):



3-line serial protocol (for RDDID command: 24-bit read)



3-line Serial Protocol (for RDDST command: 32-bit read)

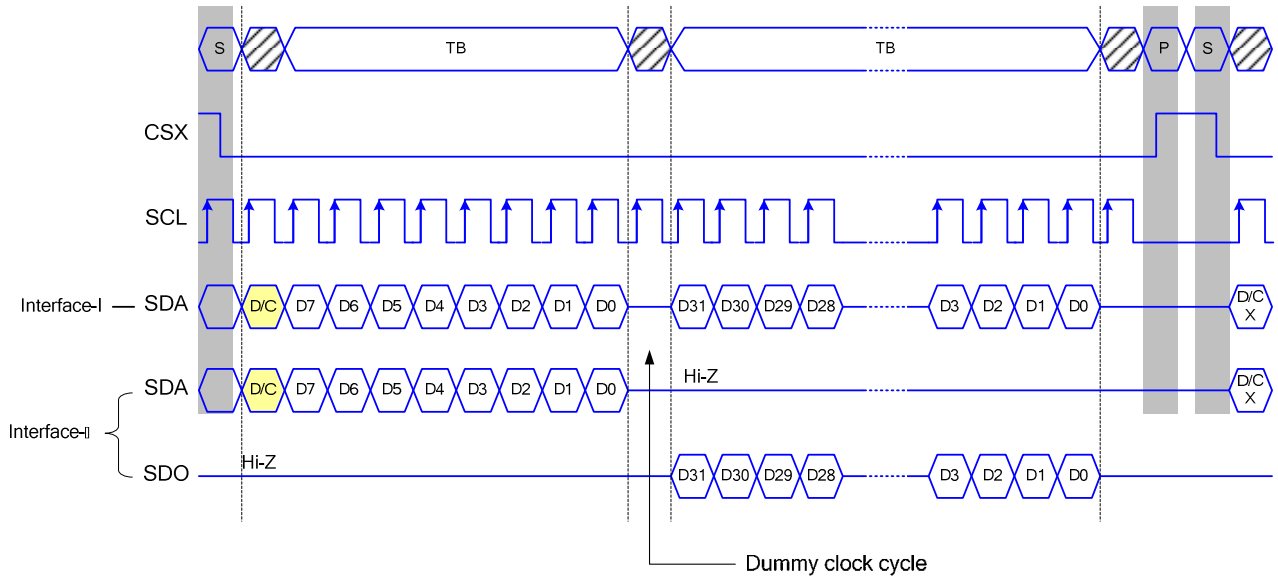


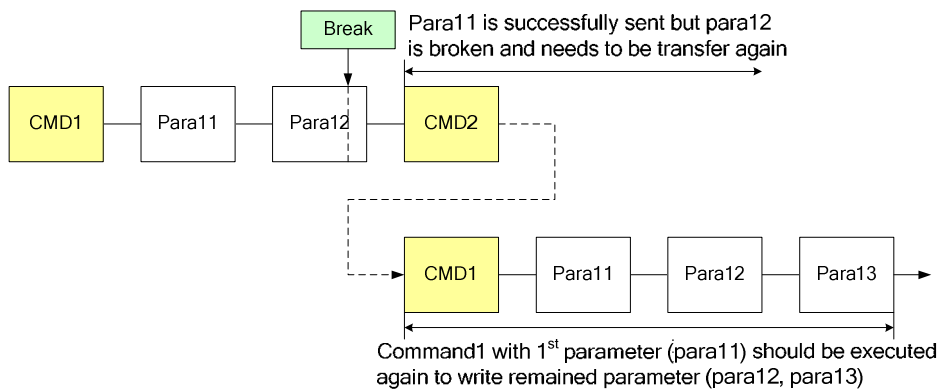
Figure 19 3-line serial interface read protocol

### 8.5 Data Transfer Break and Recovery

If there is a break in data transmission by RESX pulse, while transferring a command or frame memory data or multiple parameter command data, before Bit D0 of the byte has been completed, then driver will reject the previous bits and have reset the interface such that it will be ready to receive command data again when the chip select line (CSX) is next activated after RESX have been HIGH state.

If there is a break in data transmission by CSX pulse, while transferring a command or frame memory data or multiple parameter command data, before Bit D0 of the byte has been completed, then driver will reject the previous bits and have reset the interface such that it will be ready to receive the same byte re-transmitted when the chip select line (CSX) is next activated.

If 1, 2 or more parameter commands are being sent and a break occurs while sending any parameter before the last one and if the host then sends a new command rather than re-transmitting the parameter that was interrupted, then the parameters that were successfully sent are stored and the parameter where the break occurred is rejected. The interface is ready to receive next byte as shown below.



**Figure 20 Write interrupts recovery (serial interface)**

If a 2 or more parameter commands are being sent and a break occurs by the other command before the last one is sent, then the parameters that were successfully sent are stored and the other parameter of that command remains previous value.



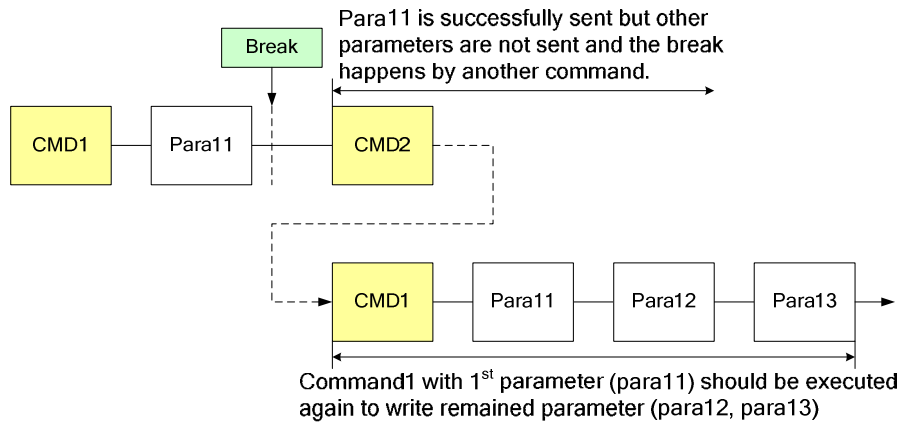


Figure 21 Write interrupts recovery (both serial and parallel Interface)

### 8.6 Data Transfer Pause

It will be possible when transferring a command, frame memory data or multiple parameter data to invoke a pause in the data transmission. If the chip select line is released after a whole byte of a frame memory data or multiple parameter data has been completed, then driver will wait and continue the frame memory data or parameter data transmission from the point where it was paused. If the chip select Line is released after a whole byte of a command has been completed, then the display module will receive either the command's parameters (if appropriate) or a new command when the chip select line is next enabled as shown below.

This applies to the following 4 conditions:

- 1) Command-Pause-Command
- 2) Command-Pause-Parameter
- 3) Parameter-Pause-Command
- 4) Parameter-Pause-Parameter

#### 8.6.1 Parallel interface pause

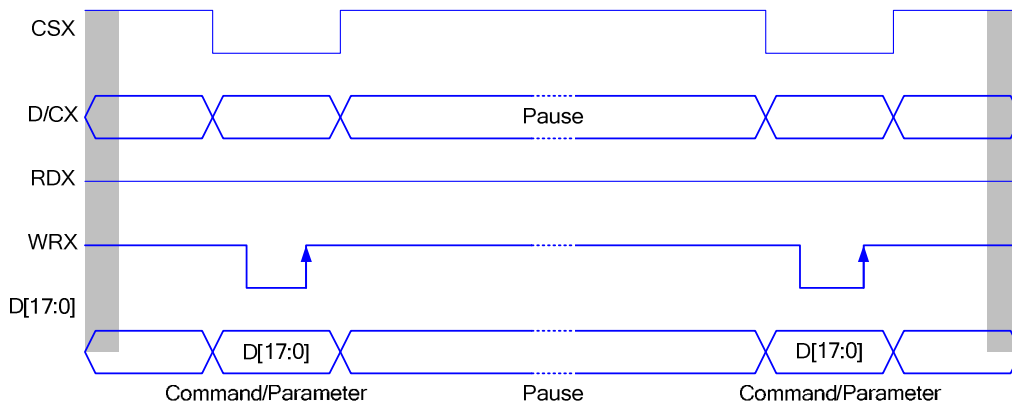


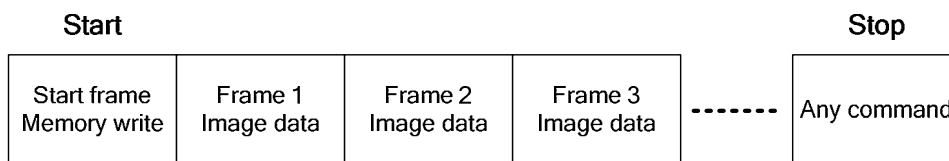
Figure 22 Parallel bus pause protocol (paused by CSX)

### 8.7 Data Transfer Mode

The module has three kinds color modes for transferring data to the display RAM. These are 12-bit color per pixel, 16-bit color per pixel and 18-bit color per pixel. The data format is described for each interface. Data can be downloaded to the frame memory by 2 methods.

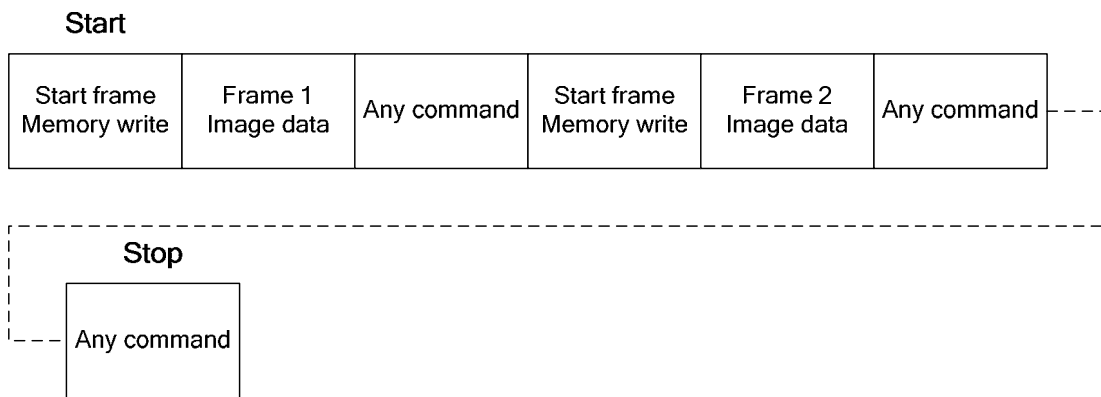
#### 8.7.1 Method 1

The image data is sent to the frame memory in successive frame writes, each time the frame memory is filled, the frame memory pointer is reset to the start point and the next frame is written.



**8.7.2 Method 2**

The image data is sent and at the end of each frame memory download, a command is sent to stop frame memory write. Then start memory write command is sent, and a new frame is downloaded.



Note 1: These apply to all data transfer Color modes on both serial and parallel interfaces.

Note 2: The frame memory can contain both odd and even number of pixels for both methods. Only complete pixel data will be stored in the frame memory.

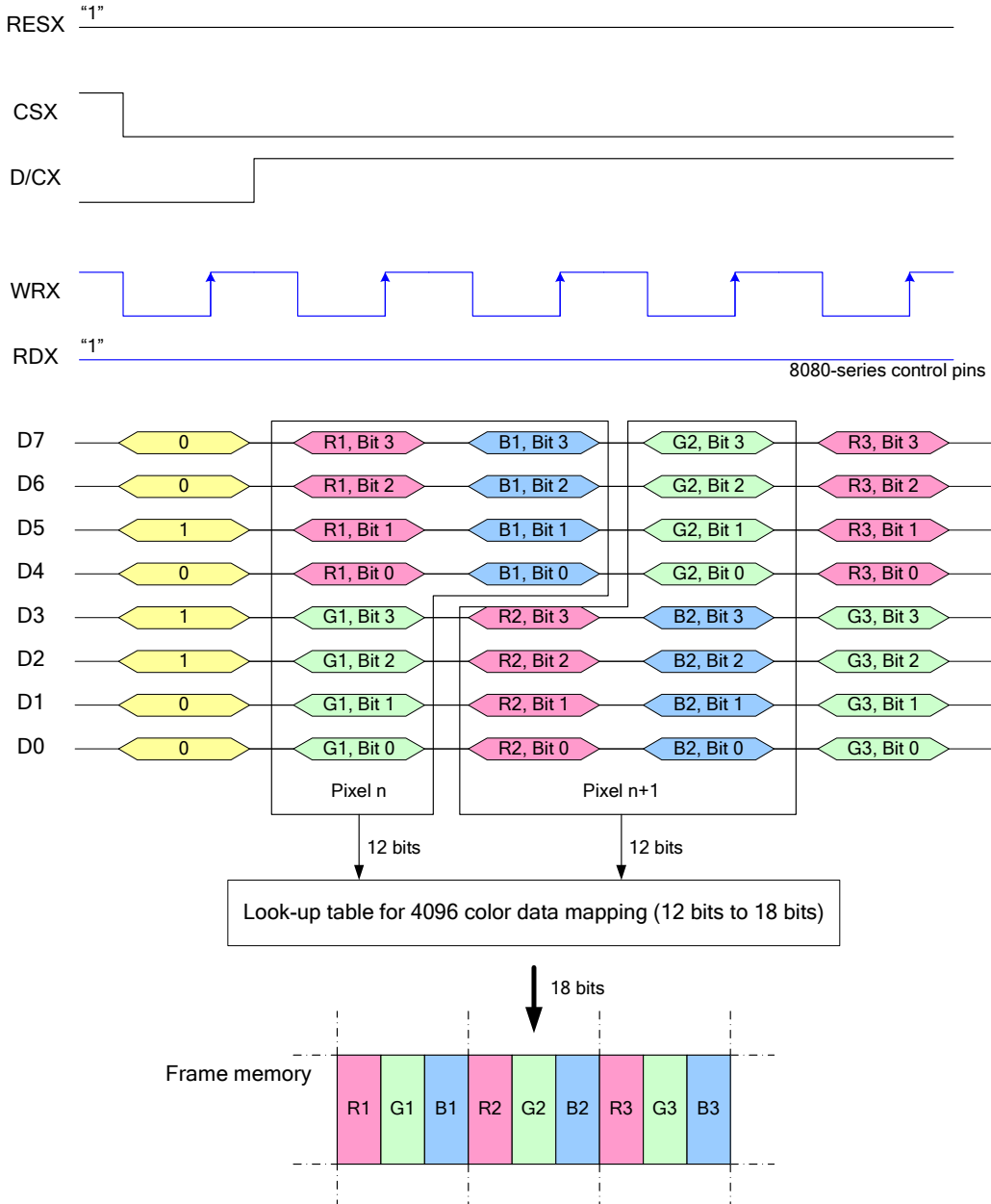
### 8.8 Data Color Coding

#### 8.8.1 8080- I series 8-bit Parallel Interface

The 8080- I series 8-bit parallel interface of ST7789S can be used by setting IM[3:0]=”0000b”. Different display data formats are available for three Colors depth supported by listed below.

- 4k colors, RGB 4,4,4-bit input.
- 65k colors, RGB 5,6,5-bit input.
- 262k colors, RGB 6,6,6-bit input.

#### 8.8.2 8-bit data bus for 12-bit/pixel (RGB 4-4-4-bit input), 4K-Colors, 3Ah=”03h”



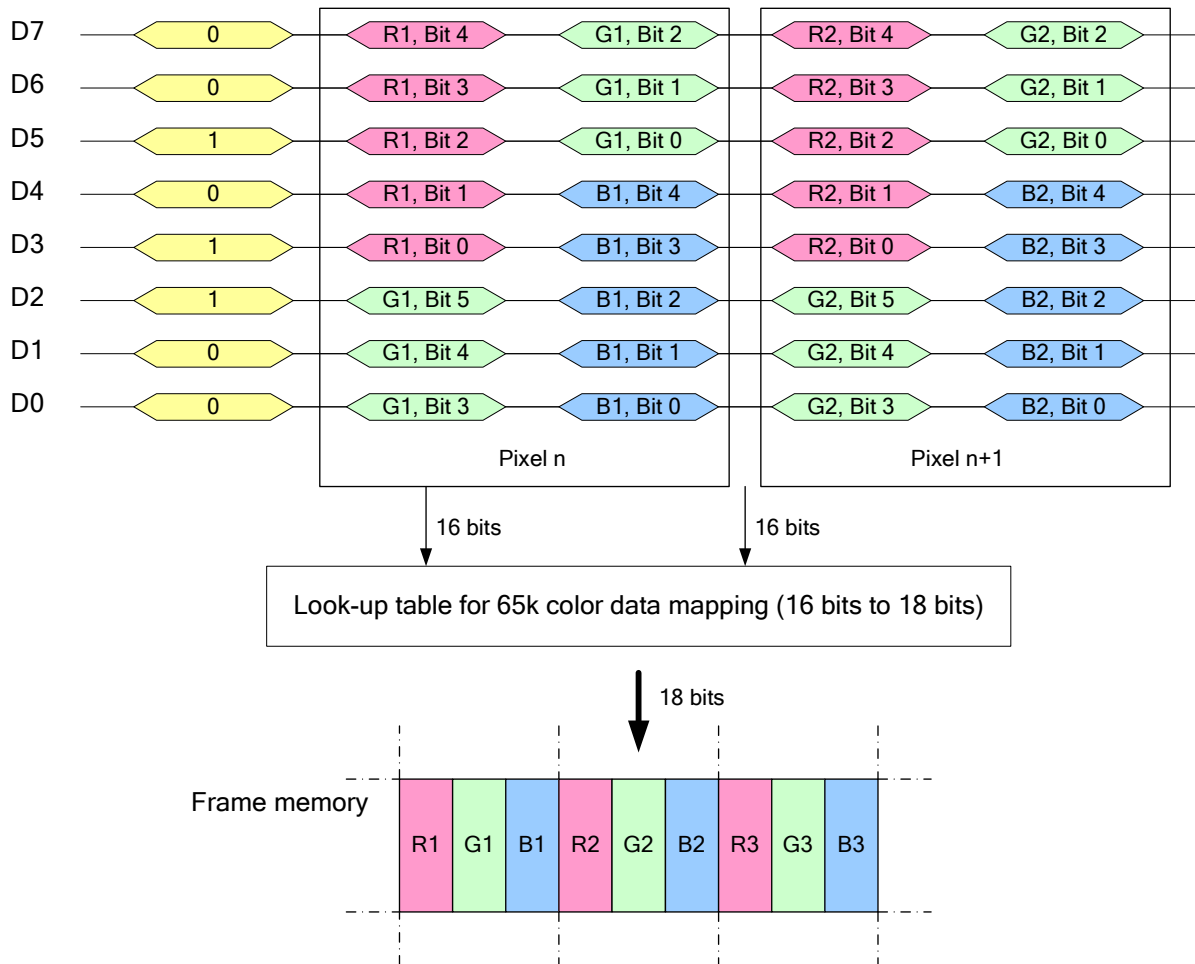
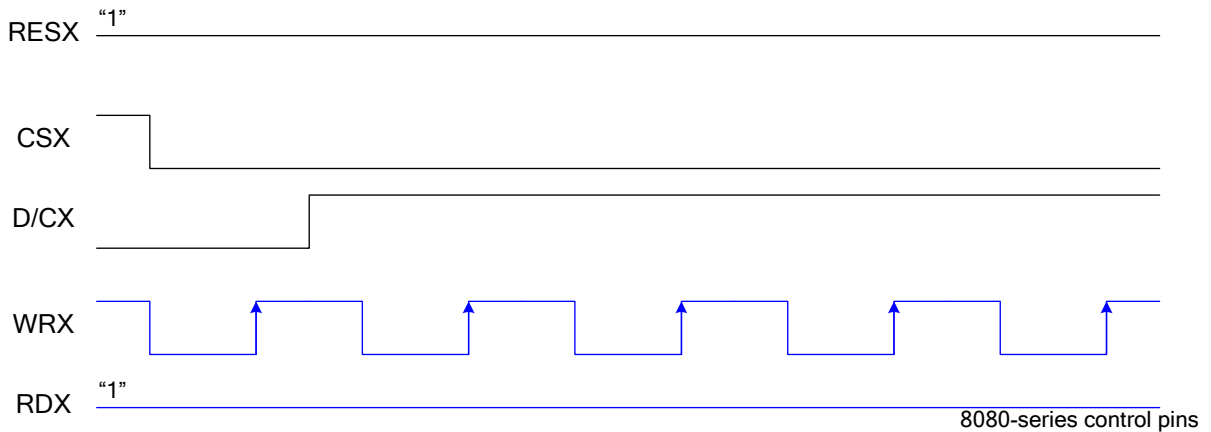
Note 1: The data order is as follows, MSB=D7, LSB=D0 and picture data is MSB=Bit 3, LSB=Bit 0 for Red, Green and Blue data.

Note 2: 3-time transfer is used to transmit 2 pixel data with the 12-bit color depth information.

Note 3: ‘-’ = Don’t care – Can be set to ‘0’ or ‘1’

8.8.3 8-bit data bus for 16-bit/pixel (RGB 5-6-5-bit input), 65K-Colors, 3Ah="05h"

There is 1pixel (3 sub-pixels) per 2-byte



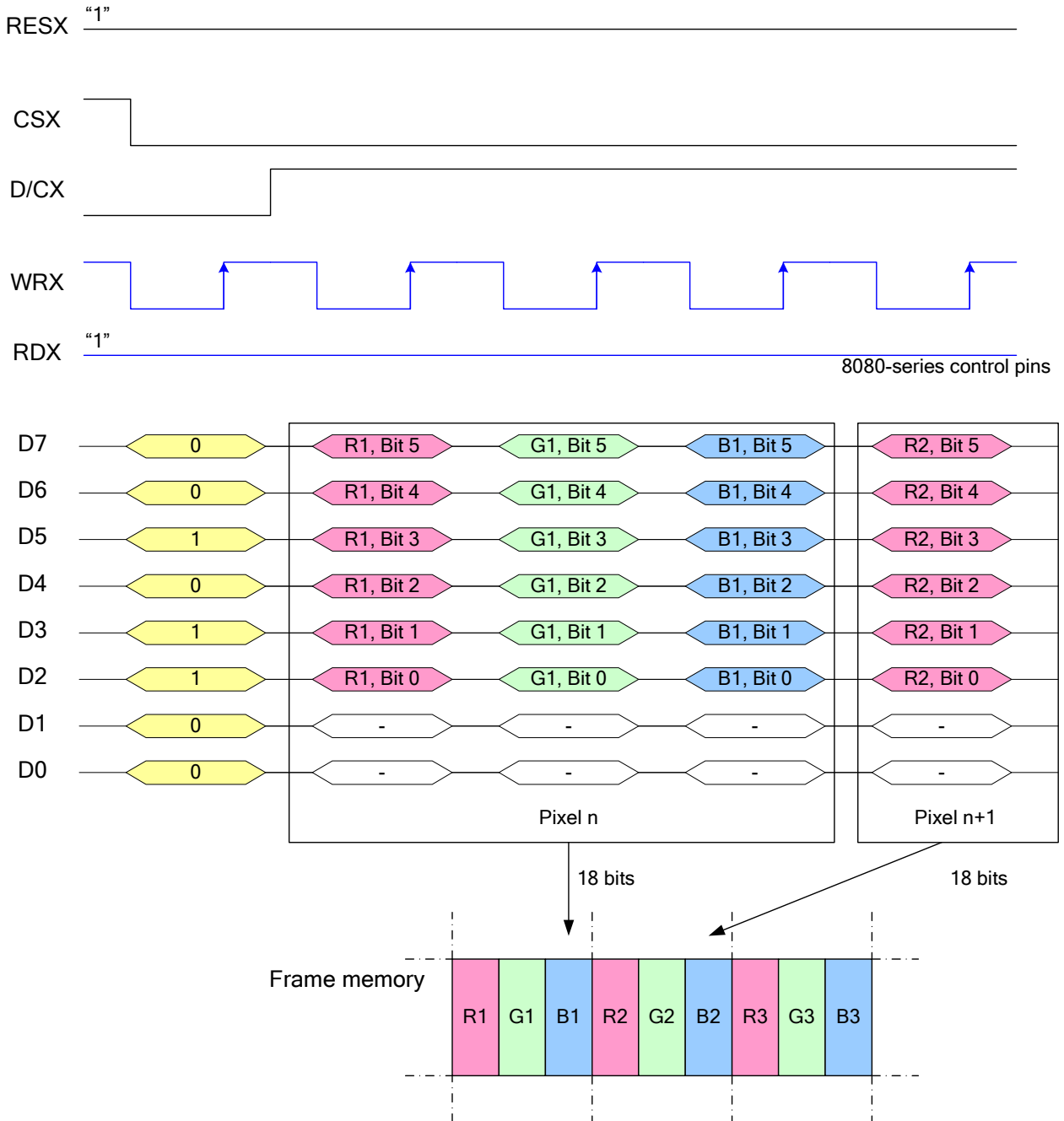
Note 1: The data order is as follows, MSB=D15, LSB=D0 and picture data is MSB=Bit 5, LSB=Bit 0 for Green, and MSB=Bit 4, LSB=Bit 0 for Red and Blue data.

Note 2: 2-times transfer is used to transmit 1 pixel data with the 16-bit color depth information.

Note 3: '-' = Don't care - Can be set to '0' or '1'

8.8.4 8-bit data bus for 18-bit/pixel (RGB-6-6-6-bit input), 262K-Colors, 3Ah="06h"

There is 1pixel (3 sub-pixels) per 3-bytes.



Note 1: The data order is as follows, MSB=D7, LSB=D0 and picture data is MSB=Bit 5, LSB=Bit 0 for Red, Green and Blue data.

Note 2: 3-times transfer is used to transmit 1 pixel data with the 18-bit color depth information.

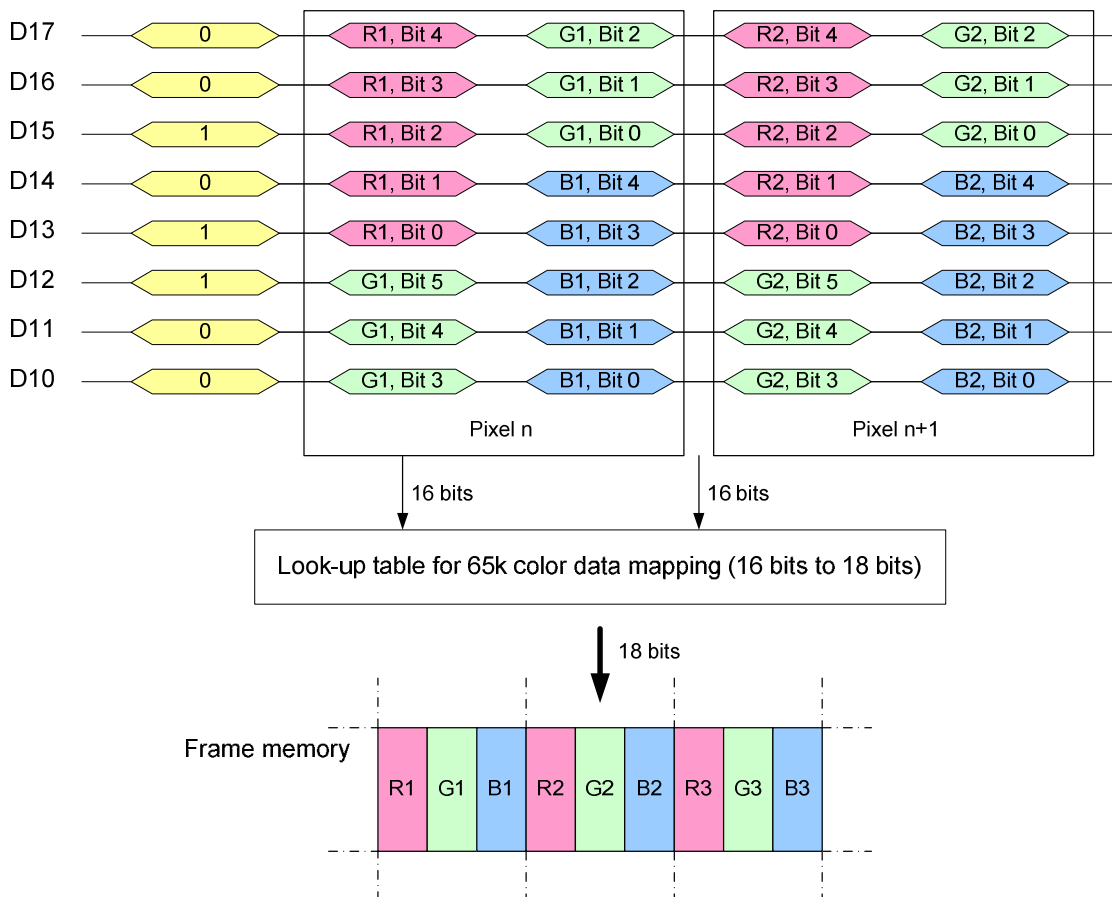
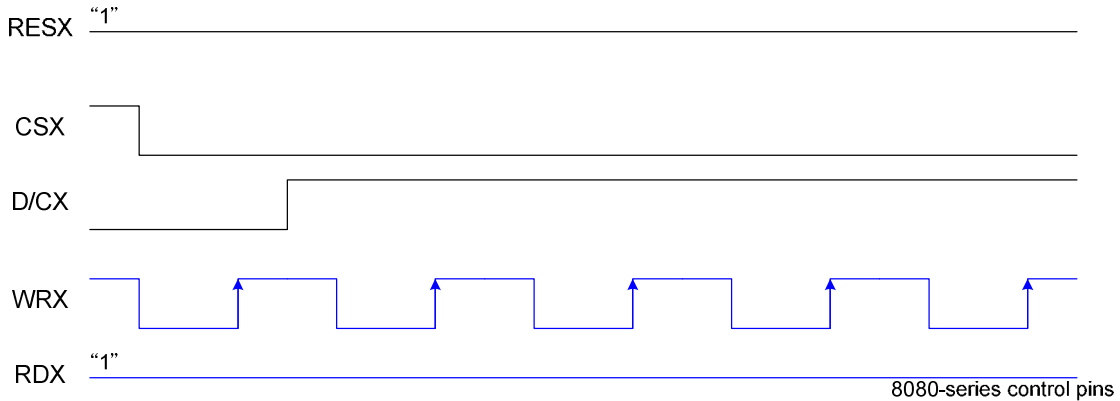
Note 3: '-' = Don't care – Can be set to '0' or '1'

8.8.5 8080- II series 8-bit Parallel Interface

The 8080- II series 8-bit parallel interface of ST7789S can be used by setting IM[3:0]="1001b". Different display data formats are available for three Colors depth supported by listed below.

- 65k colors, RGB 5,6,5-bit input.
- 262k colors, RGB 6,6,6-bit input.

8.8.6 8-bit data bus for 16-bit/pixel (RGB 5-6-5-bit input), 65K-Colors, 3Ah="05h"

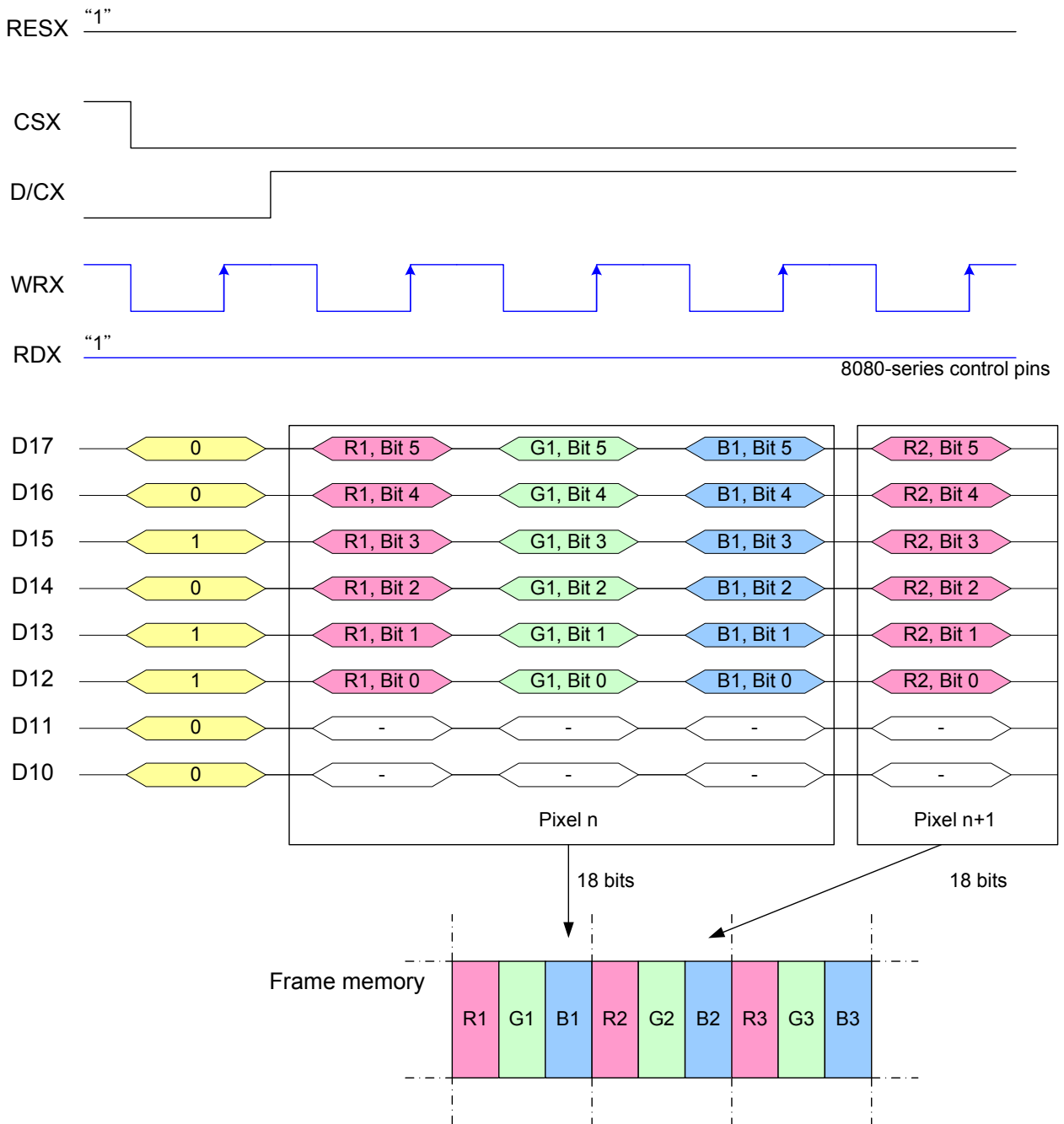


Note 1: The data order is as follows, MSB=D17, LSB=D10 and picture data is MSB=Bit 5, LSB=Bit 0 for Green, and MSB=Bit 4, LSB=Bit 0 for Red and Blue data.

Note 2: 2-times transfer transmit 1 pixel data with the 16-bit color depth information.

Note 3: '-' = Don't care – Can be set to '0' or '1'

8.8.7 8-bit data bus for 18-bit/pixel (RGB 6-6-6-bit input), 262K-Colors, 3Ah="06h"



Note 1: The data order is as follows, MSB=D17, LSB=D10 and picture data is MSB=Bit 5, LSB=Bit 0 for Red, Green and Blue data.

Note 2: 3-times transfer is used to transmit 1 pixel data with the 18-bit color depth information.

Note 3: '-' = Don't care - Can be set to '0' or '1'



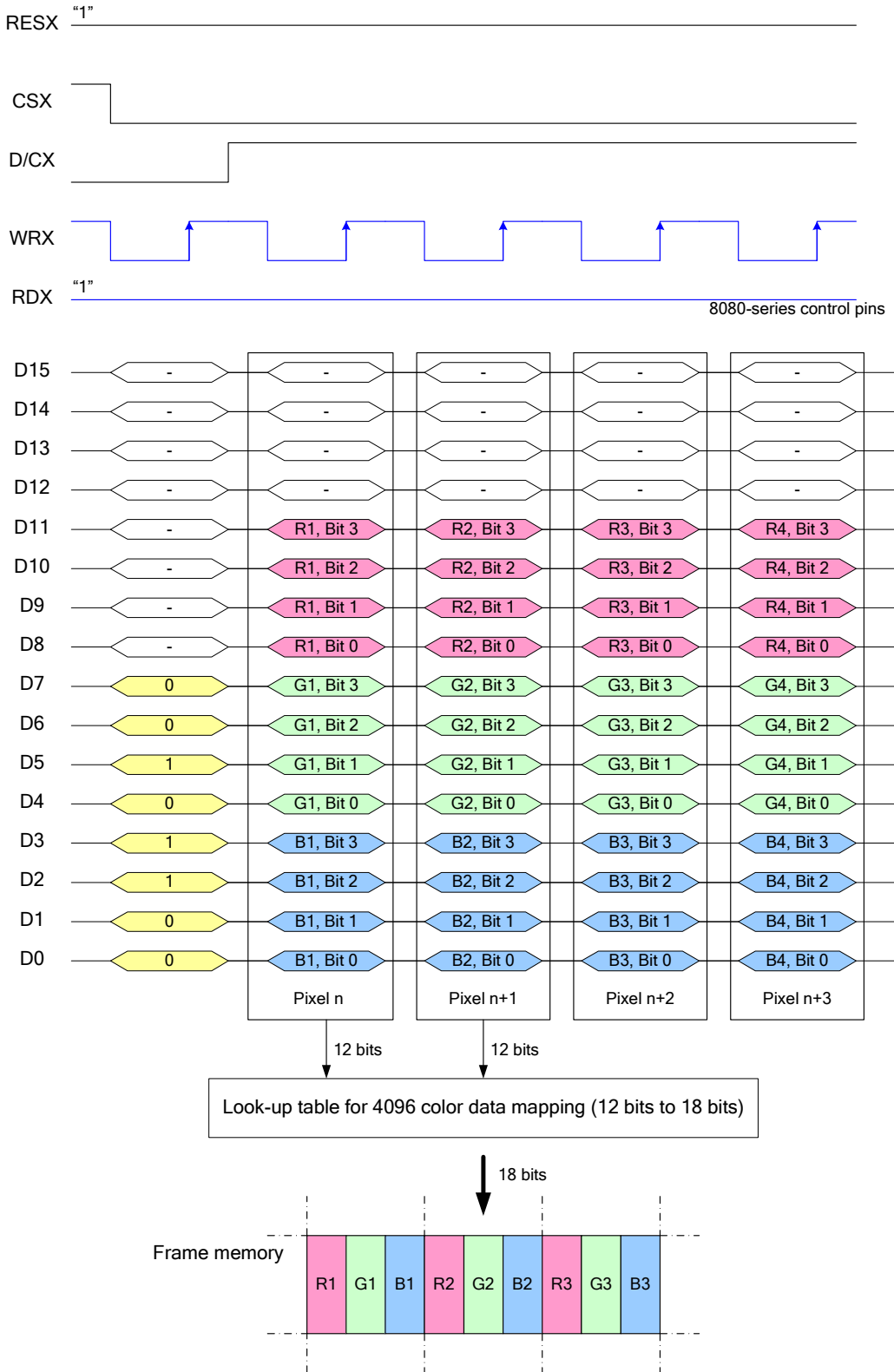
**8.8.8 8080- I series 16-Bit Parallel Interface**

The 8080- I series 16-bit parallel interface of ST7789S can be used by setting IM[3:0]="0001b". Different display data formats are available for three colors depth supported by listed below.

- 4k colors, RGB 4,4,4-bit input
- 65k colors, RGB 5,6,5-bit input
- 262k colors, RGB 6,6,6-bit input

8.8.9 16-bit data bus for 12-bit/pixel (RGB 4-4-4-bit input), 4K-Colors, 3Ah="03h"

There is 1pixel (3 sub-pixels) per 1byte

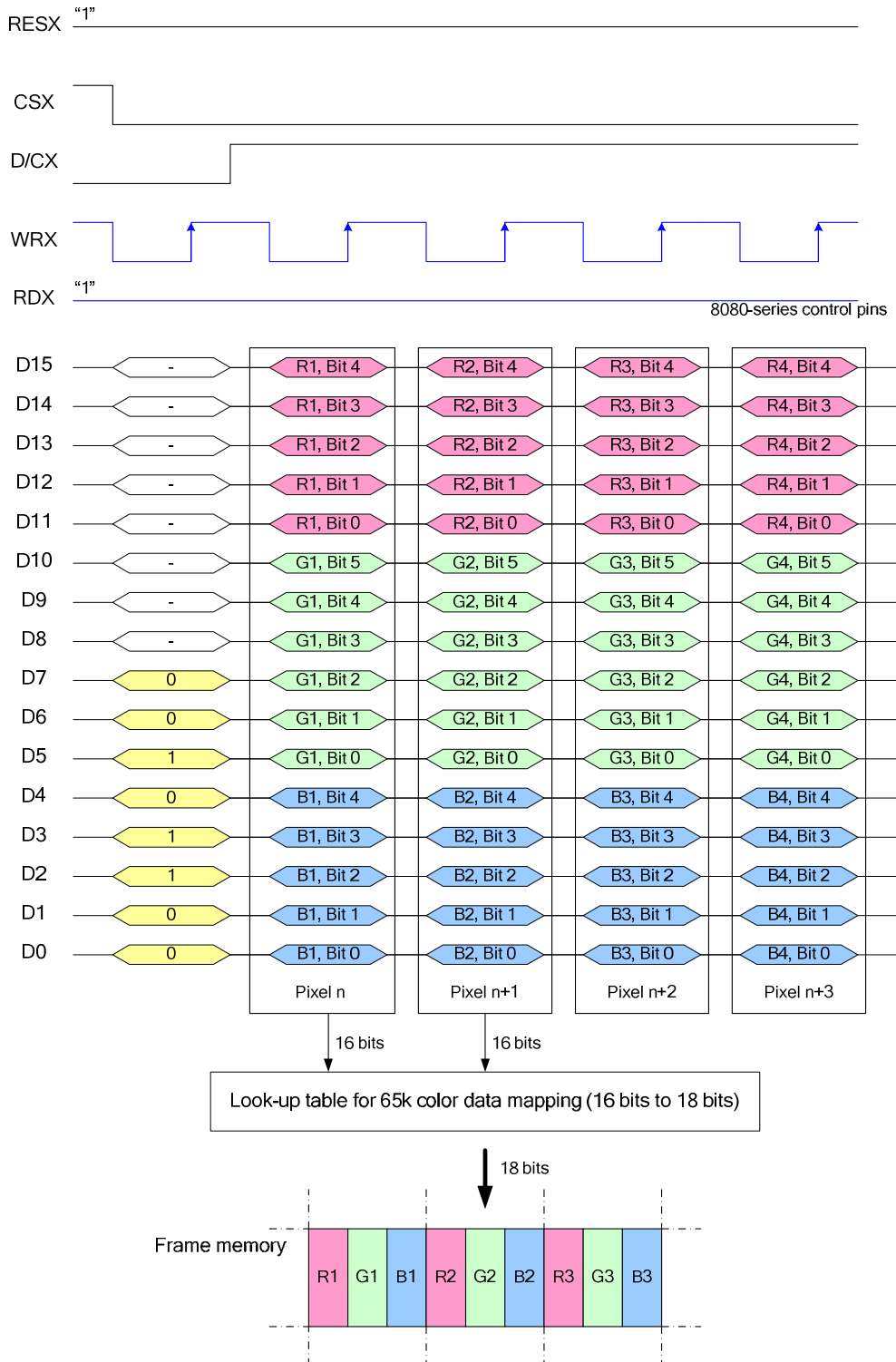


Note 1: The data order is as follows, MSB=D11, LSB=D0 and picture data is MSB=Bit 3, LSB=Bit 0 for Red, Green and Blue data.

Note 2: 1-times transfer (D11 to D0) is used to transmit 1 pixel data with the 12-bit color depth information.

8.8.10 16-bit data bus for 16-bit/pixel (RGB 5-6-5-bit input) 65K-Color, 3Ah="05h"

There is 1 pixel (3 sub-pixels) per 1 byte



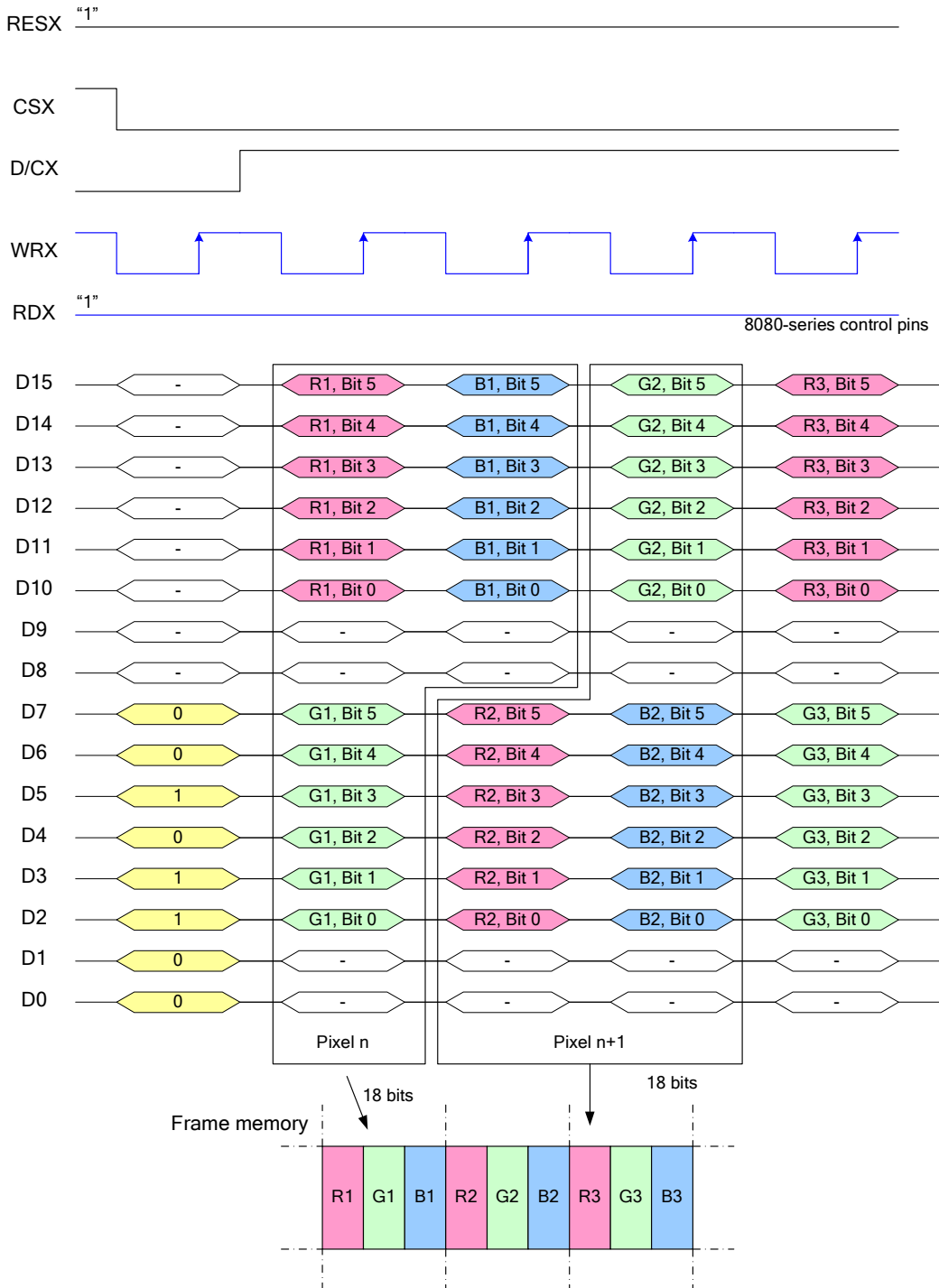
Note 1: The data order is as follows, MSB=D15, LSB=D0 and picture data is MSB=Bit 5, LSB=Bit 0 for Green, and MSB=Bit 4, LSB=Bit 0 for Red and Blue data.

Note 2: 1-times transfer (D15 to D0) is used to transmit 1 pixel data with the 16-bit color depth information.

Note 3: '-' = Don't care - Can be set to '0' or '1'

8.8.11 16-bit data bus for 18-bit/pixel (RGB-6-6-6-bit input), 262K-Colors, 3Ah="06h",  
MDT[1:0]="00b"

There are 2 pixels (6 sub-pixels) per 3 bytes

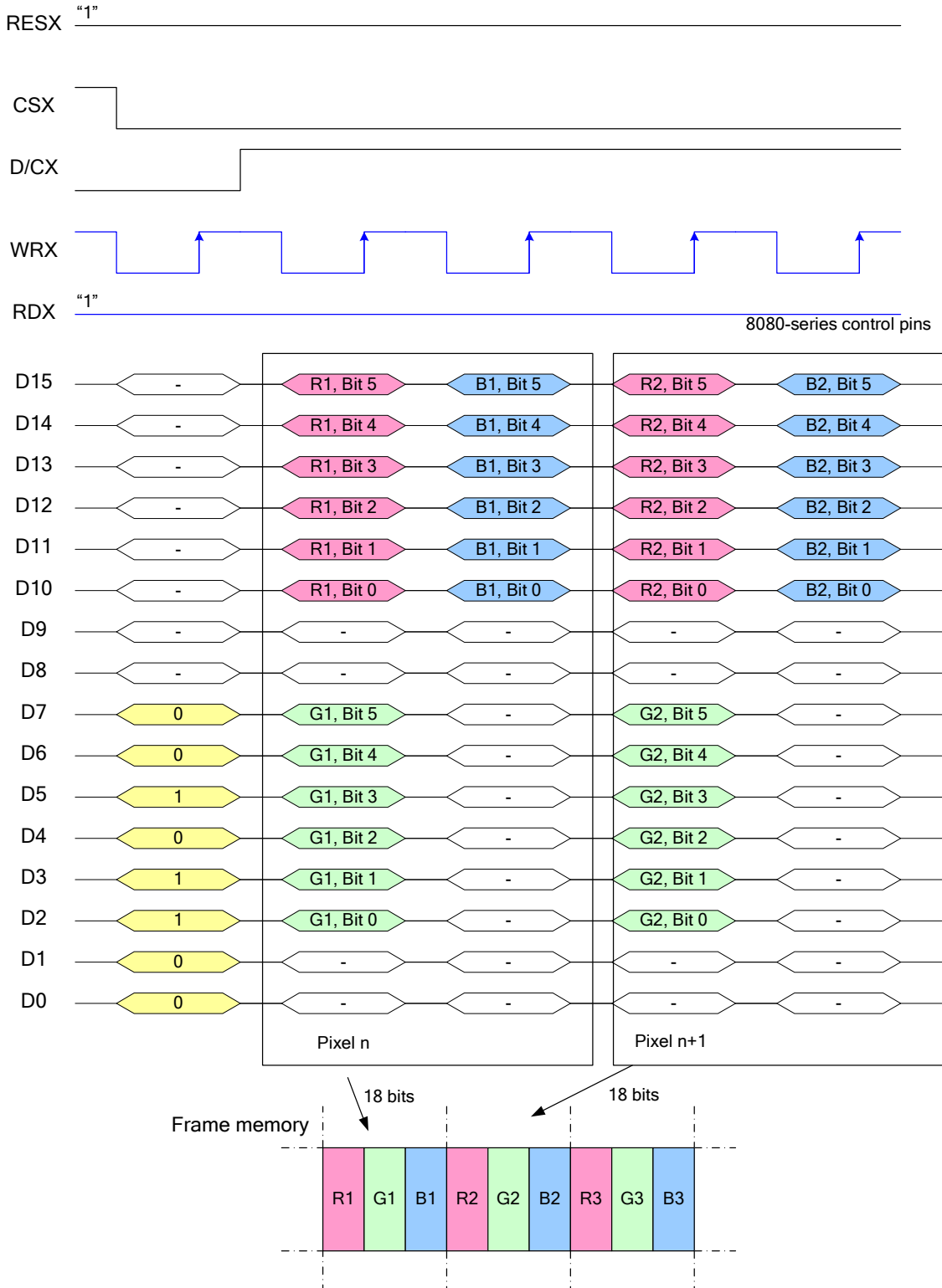


Note 1: The data order is as follows, MSB=D15, LSB=D0 and picture data is MSB=Bits 5, LSB=Bit 0 for Red, Green and Blue data.

Note 2: 3-times transfer is used to transmit 1 pixel data with the 18-bit color depth information.

Note 3: '-' = Don't care - Can be set to '0' or '1'

8.8.12 16-bit data bus for 18-bit/pixel (RGB-6-6-6-bit input), 262K-Colors, 3Ah="06h",  
MDT[1:0]="01b"

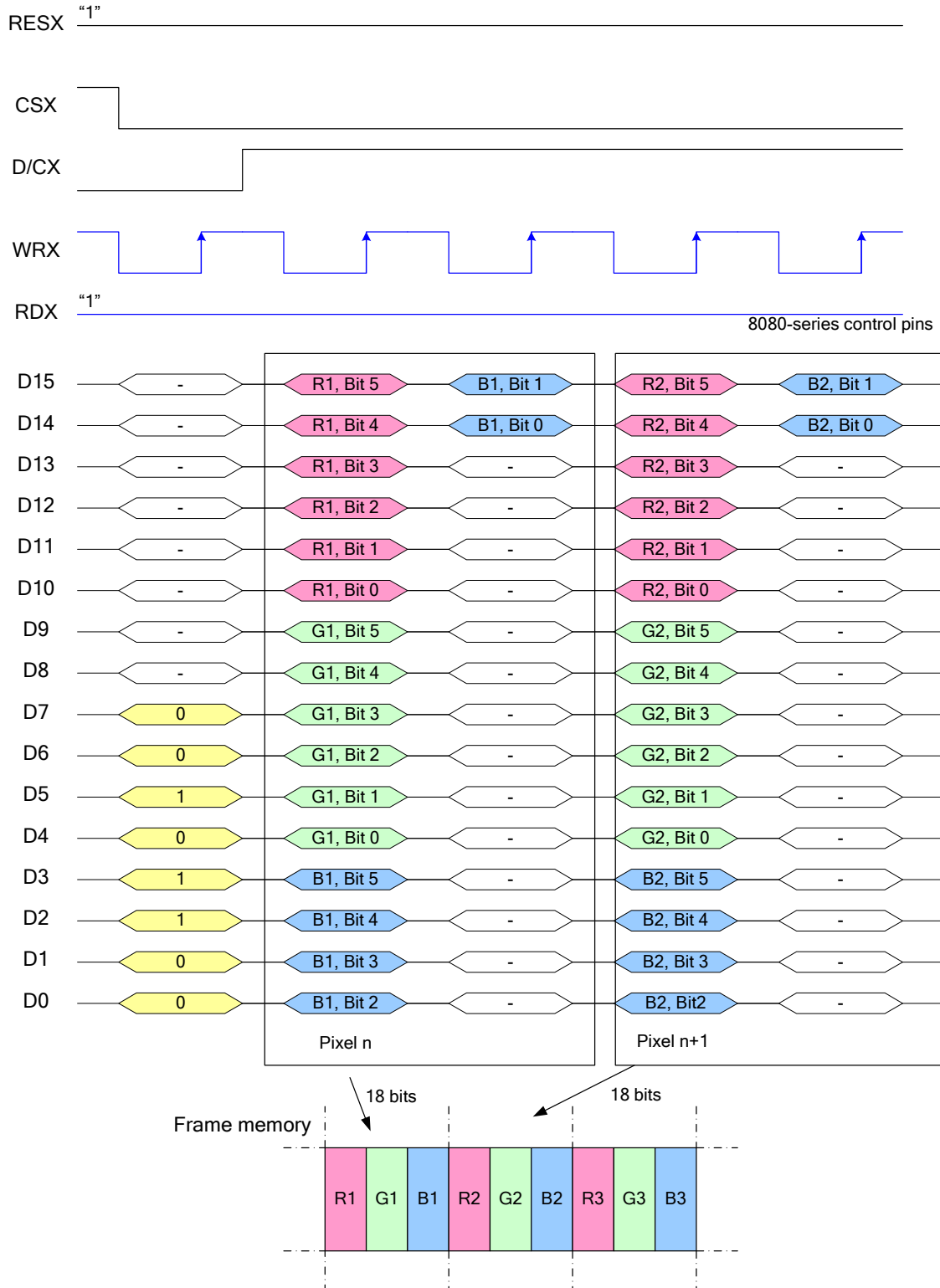


Note 1: The data order is as follows, MSB=D15, LSB=D0 and picture data is MSB=Bits 5, LSB=Bit 0 for Red, Green and Blue data.

Note 2: 2-times transfer is used to transmit 1 pixel data with the 18-bit color depth information.

Note 3: '-' = Don't care – Can be set to '0' or '1'

8.8.13 16-bit data bus for 18-bit/pixel (RGB-6-6-6-bit input), 262K-Colors, 3Ah="06h",  
MDT[1:0]="10b"

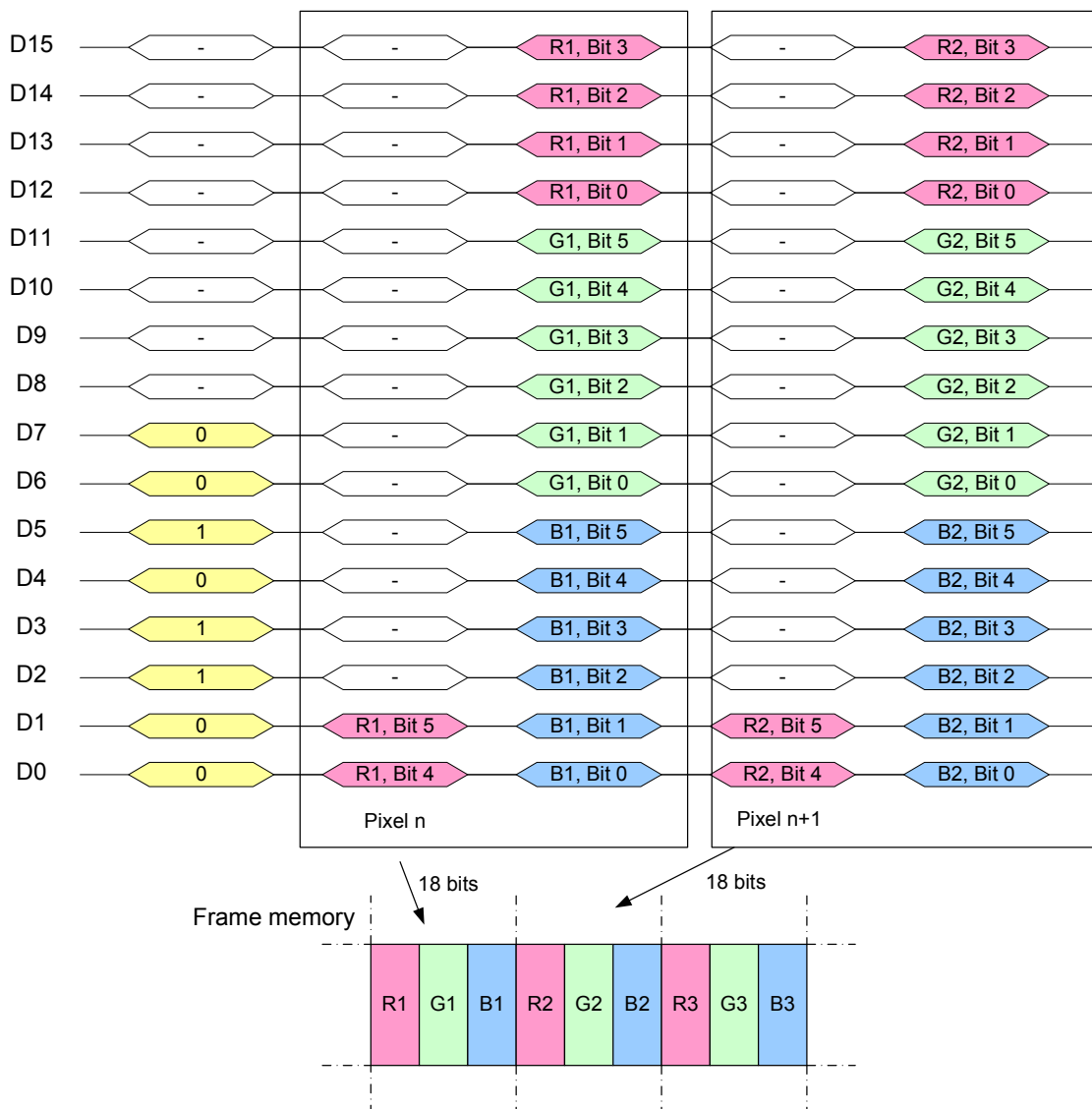
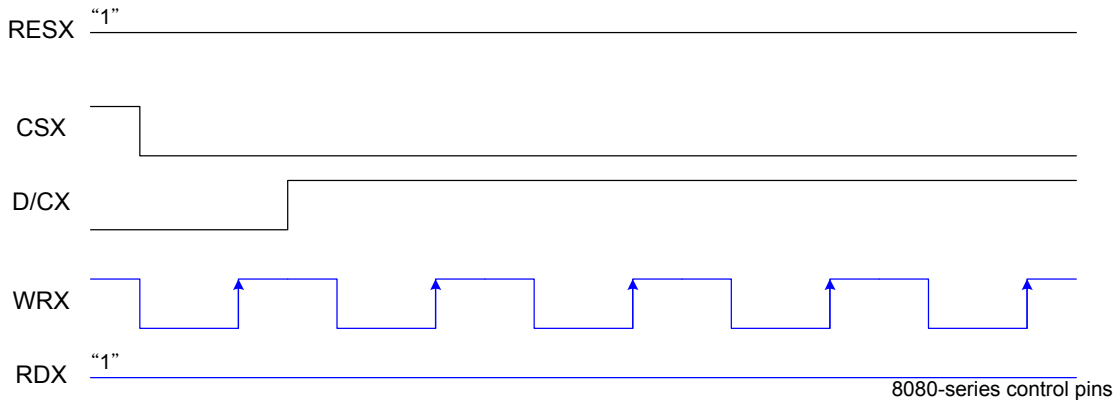


Note 1: The data order is as follows, MSB=D15, LSB=D0 and picture data is MSB=Bits 5, LSB=Bit 0 for Red, Green and Blue data.

Note 2: 2-times transfer is used to transmit 1 pixel data with the 18-bit color depth information.

Note 3: '-' = Don't care – Can be set to '0' or '1'

8.8.14 16-bit data bus for 18-bit/pixel (RGB-6-6-6-bit input), 262K-Colors, 3Ah="06h",  
MDT[1:0]="11b"



Note 1: The data order is as follows, MSB=D15, LSB=D0 and picture data is MSB=Bits 5, LSB=Bit 0 for Red, Green and Blue data.

Note 2: 2-times transfer is used to transmit 1 pixel data with the 18-bit color depth information.

Note 3: '-' = Don't care - Can be set to '0' or '1'

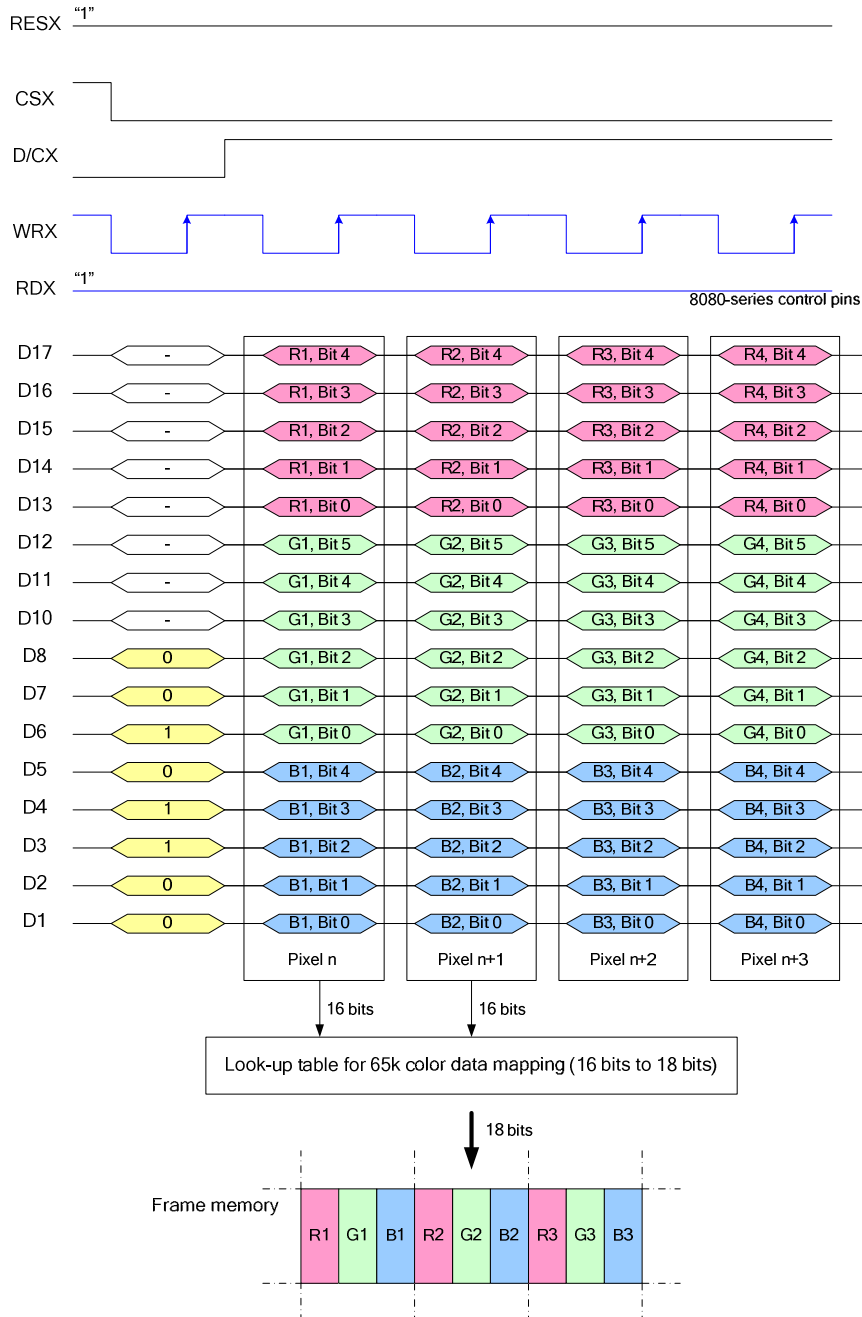
8.8.15 8080- II series 16-Bit Parallel Interface

The 8080- II series 16-bit parallel interface of ST7789S can be used by setting IM[3:0]="1000b". Different display data formats are available for two colors depth supported by listed below.

- 65k colors, RGB 5,6,5-bit input
- 262k colors, RGB 6,6,6-bit input

8.8.16 16-bit data bus for 16-bit/pixel (RGB 5-6-5-bit input) 65K-Color, 3Ah="05h"

There is 1 pixel (3 sub-pixels) per 1 byte



Note 1: The data order is as follows, MSB=D17, LSB=D1 and picture data is MSB=Bit 5, LSB=Bit 0 for Green, and MSB=Bit 4, LSB=Bit 0 for Red and Blue data.

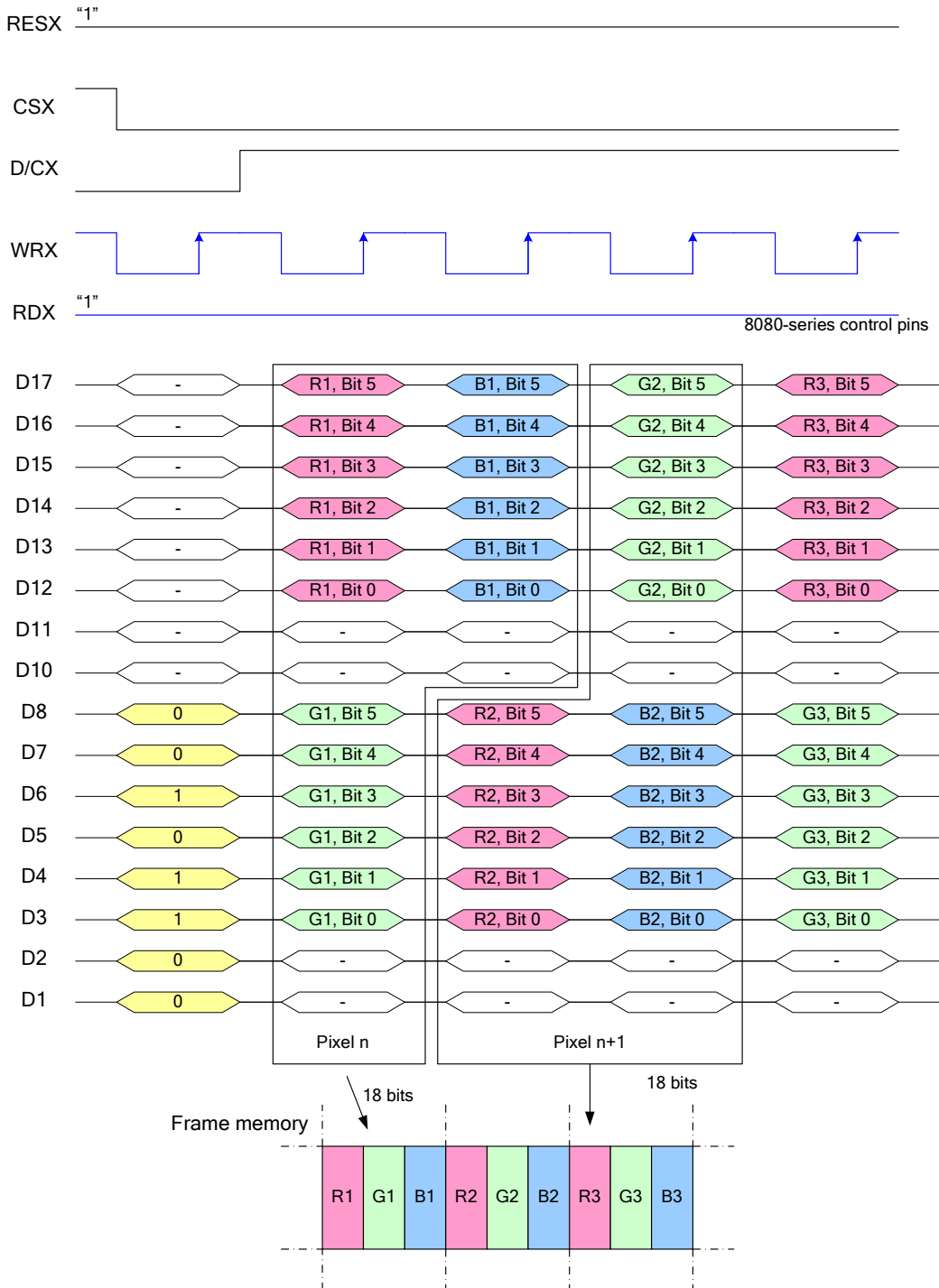
Note 2: 1-times transfer (D17~D10, D8~D1) is used to transmit 1 pixel data with the 16-bit color depth information.

Note 3: '-' = Don't care – Can be set to '0' or '1'



8.8.17 16-bit data bus for 18-bit/pixel (RGB-6-6-6-bit input), 262K-Colors, 3Ah="06h",  
MDT[1:0]="00b"

There are 2 pixels (6 sub-pixels) per 3 bytes

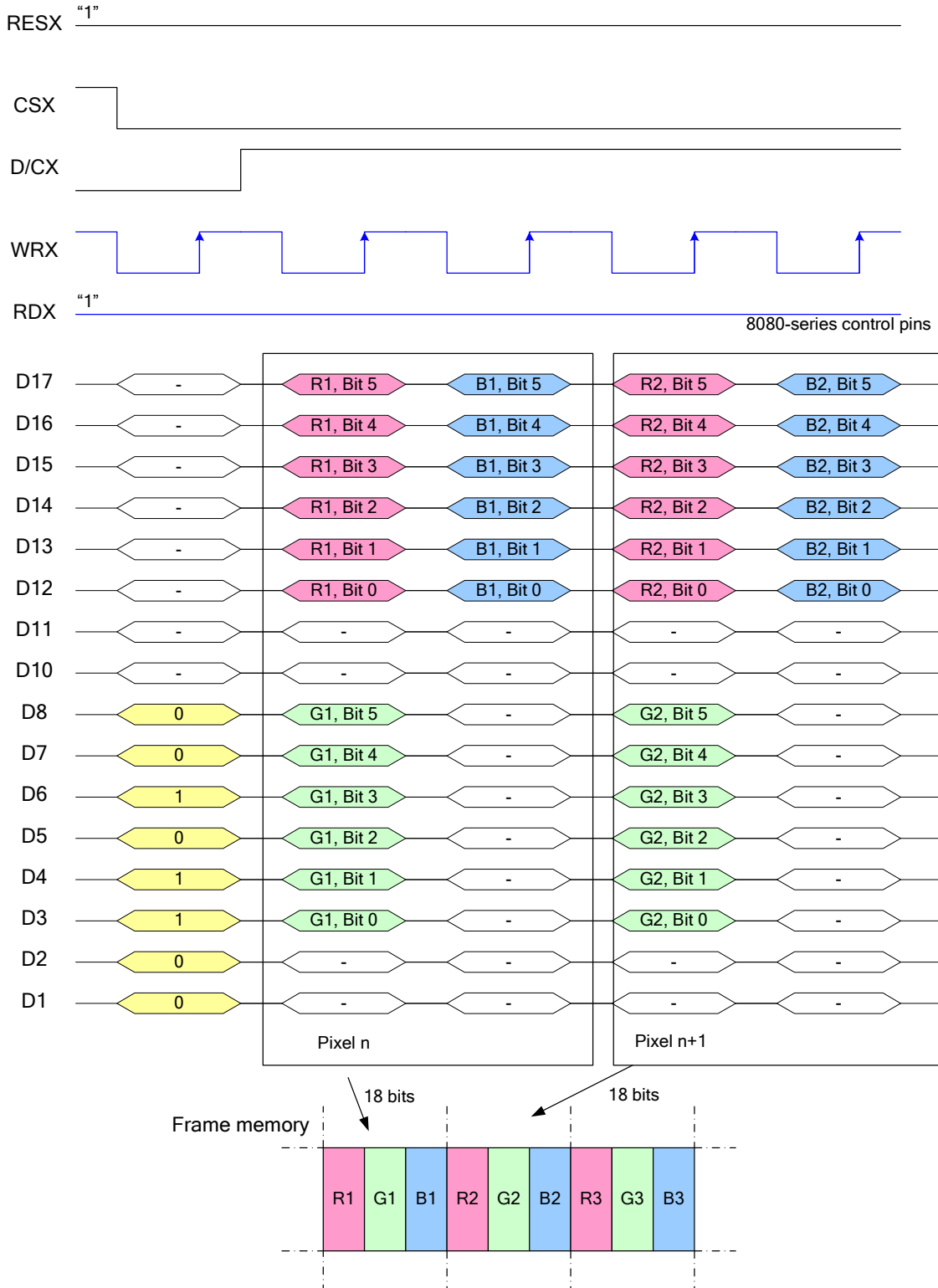


Note 1: The data order is as follows, MSB=D17, LSB=D1 and picture data is MSB=Bits 5, LSB=Bit 0 for Red, Green and Blue data.

Note 2: 3-times transfer is used to transmit 1 pixel data with the 18-bit color depth information.

Note 3: '-' = Don't care – Can be set to '0' or '1'

8.8.18 16-bit data bus for 18-bit/pixel (RGB-6-6-6-bit input), 262K-Colors, 3Ah="06h", MDT[1:0]="01b"



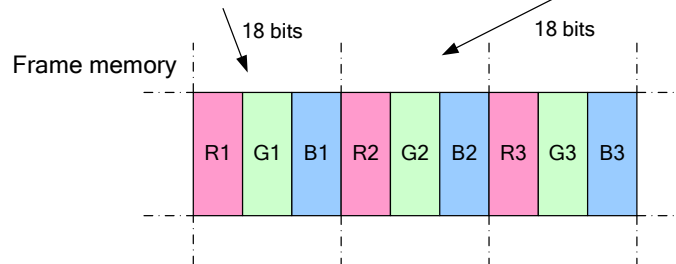
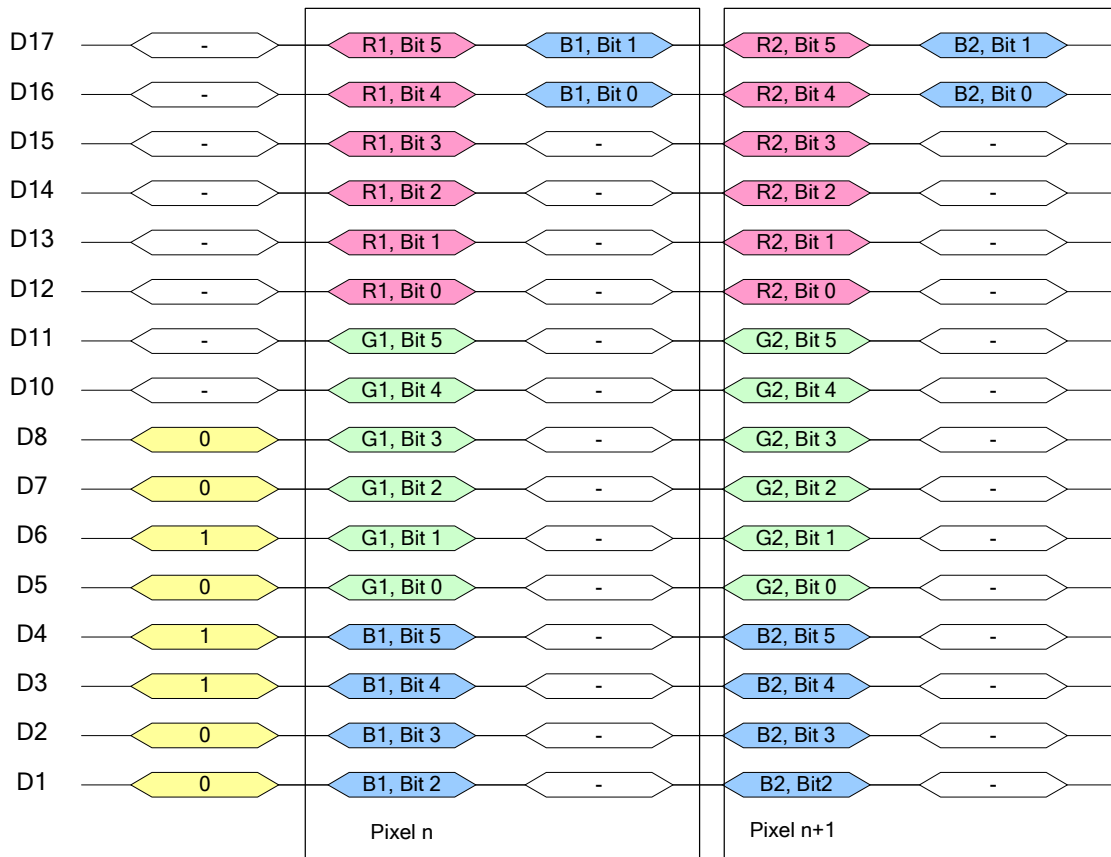
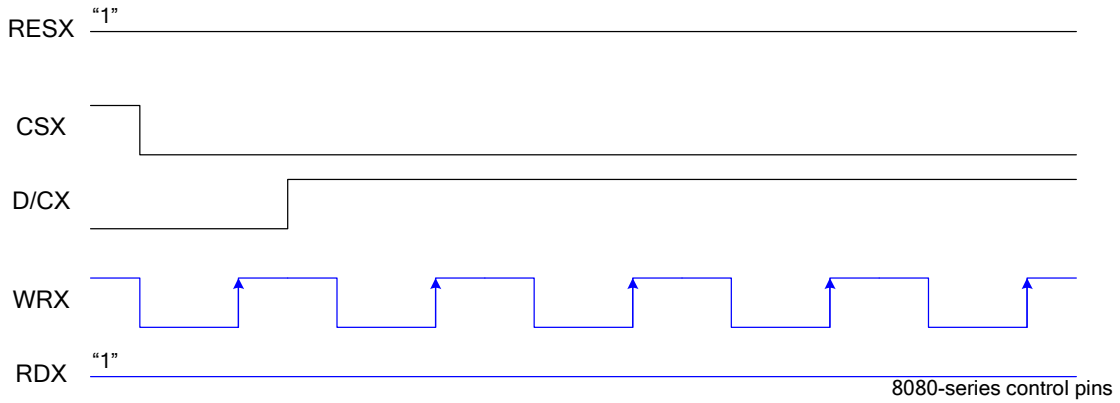
Note 1: The data order is as follows, MSB=D17, LSB=D1 and picture data is MSB=Bits 5, LSB=Bit 0 for Red, Green and Blue data.

Note 2: 2-times transfer is used to transmit 1 pixel data with the 18-bit color depth information.

Note 3: '-' = Don't care - Can be set to '0' or '1'

8.8.19 16-bit data bus for 18-bit/pixel (RGB-6-6-6-bit input), 262K-Colors, 3Ah="06h",

MDT[1:0]='10b'

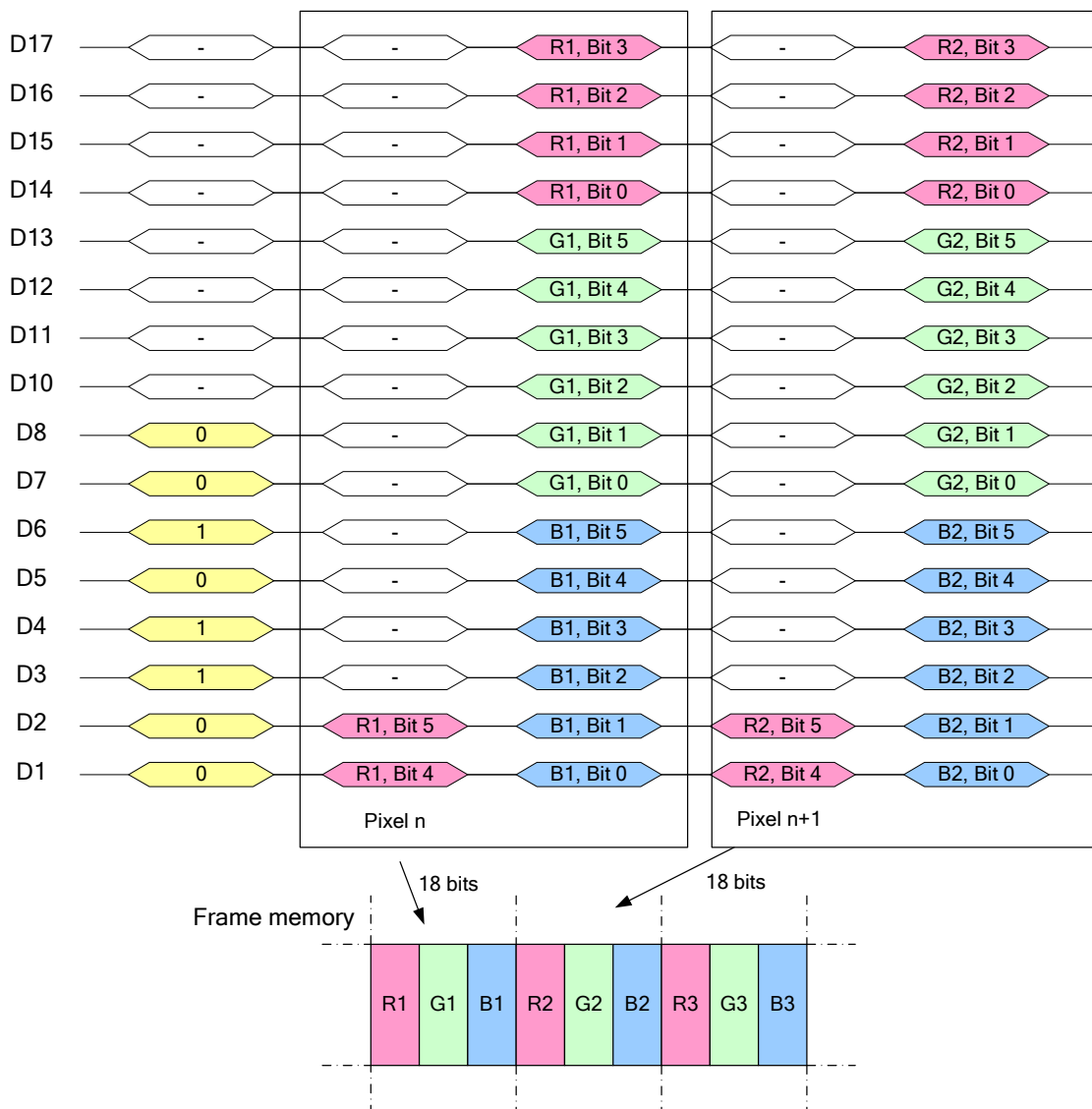
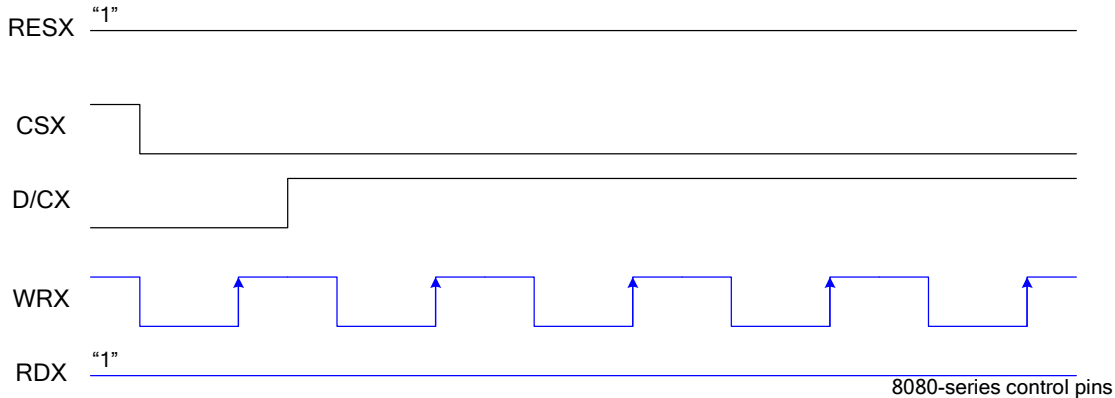


Note 1: The data order is as follows, MSB=D17, LSB=D0 and picture data is MSB=Bits 5, LSB=Bit 0 for Red, Green and Blue data.

Note 2: 2-times transfer is used to transmit 1 pixel data with the 18-bit color depth information.

Note 3: '-' = Don't care - Can be set to '0' or '1'

8.8.20 16-bit data bus for 18-bit/pixel (RGB-6-6-6-bit input), 262K-Colors, 3Ah="06h",  
MDT[1:0]="11b"



Note 1: The data order is as follows, MSB=D17, LSB=D1 and picture data is MSB=Bits 5, LSB=Bit 0 for Red, Green and Blue data.

Note 2: 2-times transfer is used to transmit 1 pixel data with the 18-bit color depth information.

Note 3: '-' = Don't care - Can be set to '0' or '1'

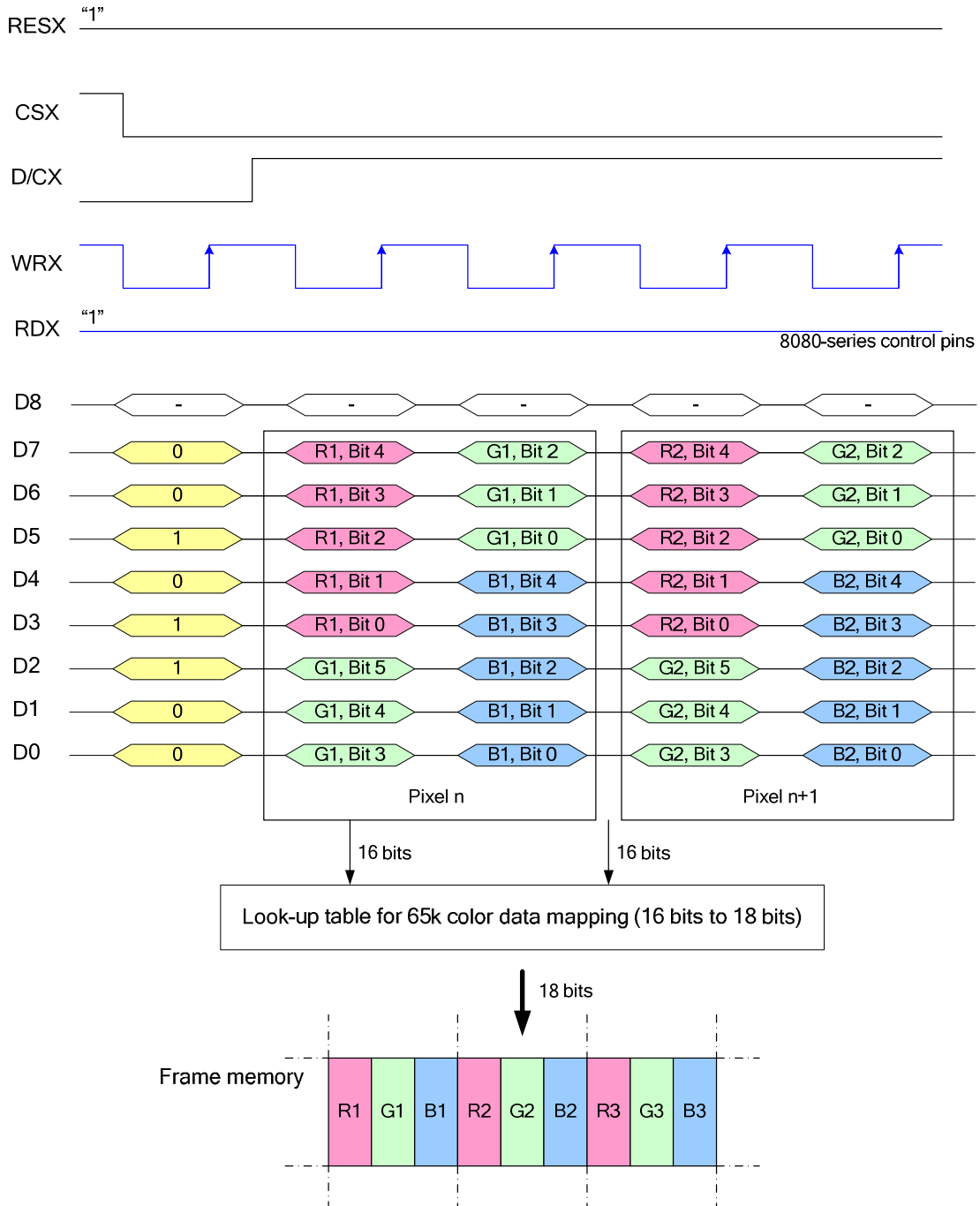
8.8.21 8080- I series 9-Bit Parallel Interface

The 8080- I series 9-bit parallel interface of ST7789S can be used by setting IM[3:0]=”0010b” Different display data formats are available for two colors depth supported by listed below.

-65k colors, RGB 5,6,5-bit input

-262k colors, RGB 6,6,6-bit input

8.8.22 Write 9-bit data for RGB 5-6-5-bit input (65K-Color), 3Ah=”05h”



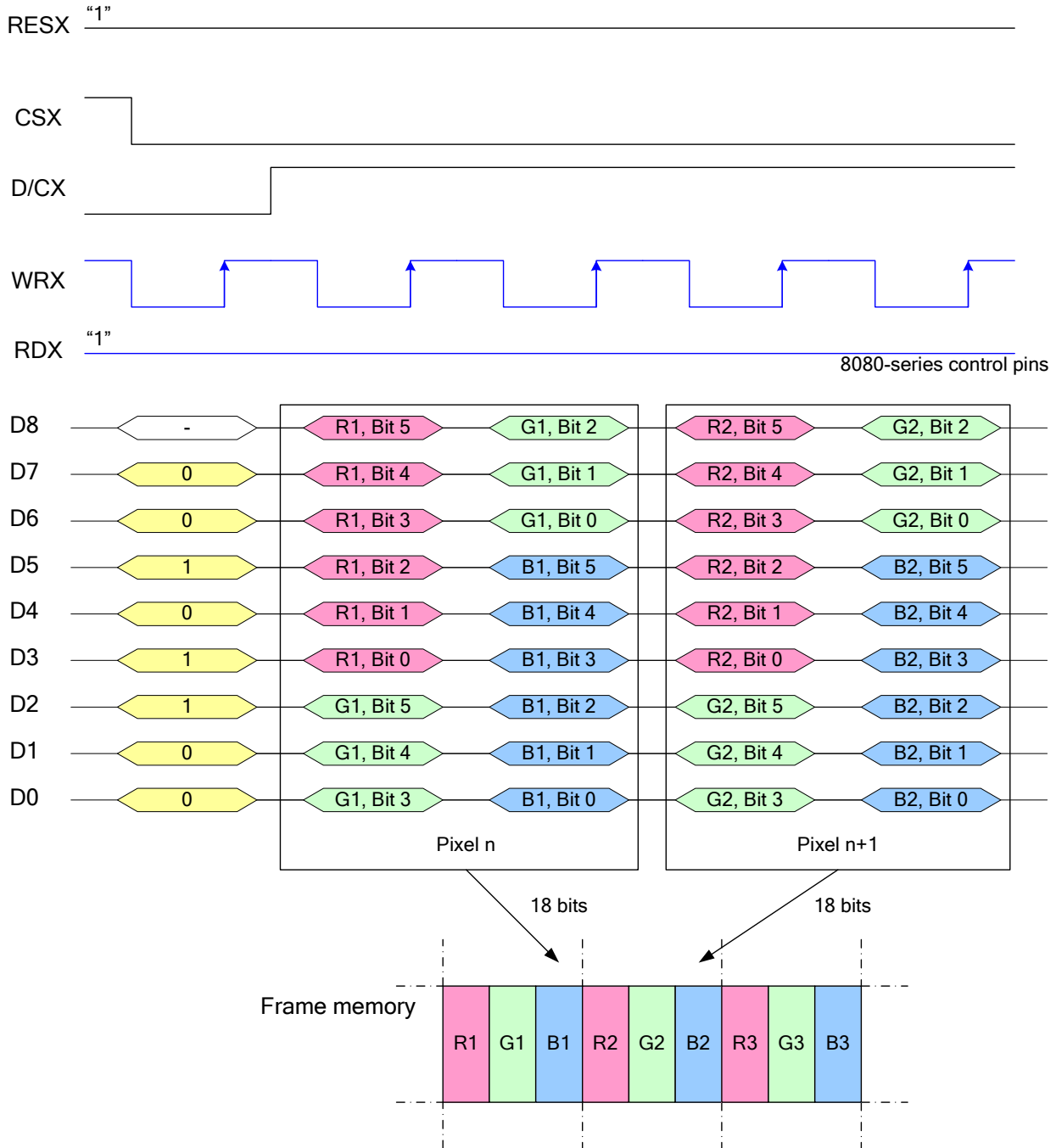
Note 1: The data order is as follows, MSB=D7, LSB=D0 and picture data is MSB=Bit 4, LSB=Bit 0 for Red, Green and Blue data.

Note 2: 2-time transfer is used to transmit 1 pixel data with the 16-bit color depth information.

Note 3: ‘-’ = Don’t care – Can be set to ‘0’ or ‘1’

8.8.23 Write 9-bit data for RGB 6-6-6-bit input (262K-Color), 3Ah="06h", MDT[1:0]="00b"

There is 1 pixel (3 sub-pixels) per 2bytes

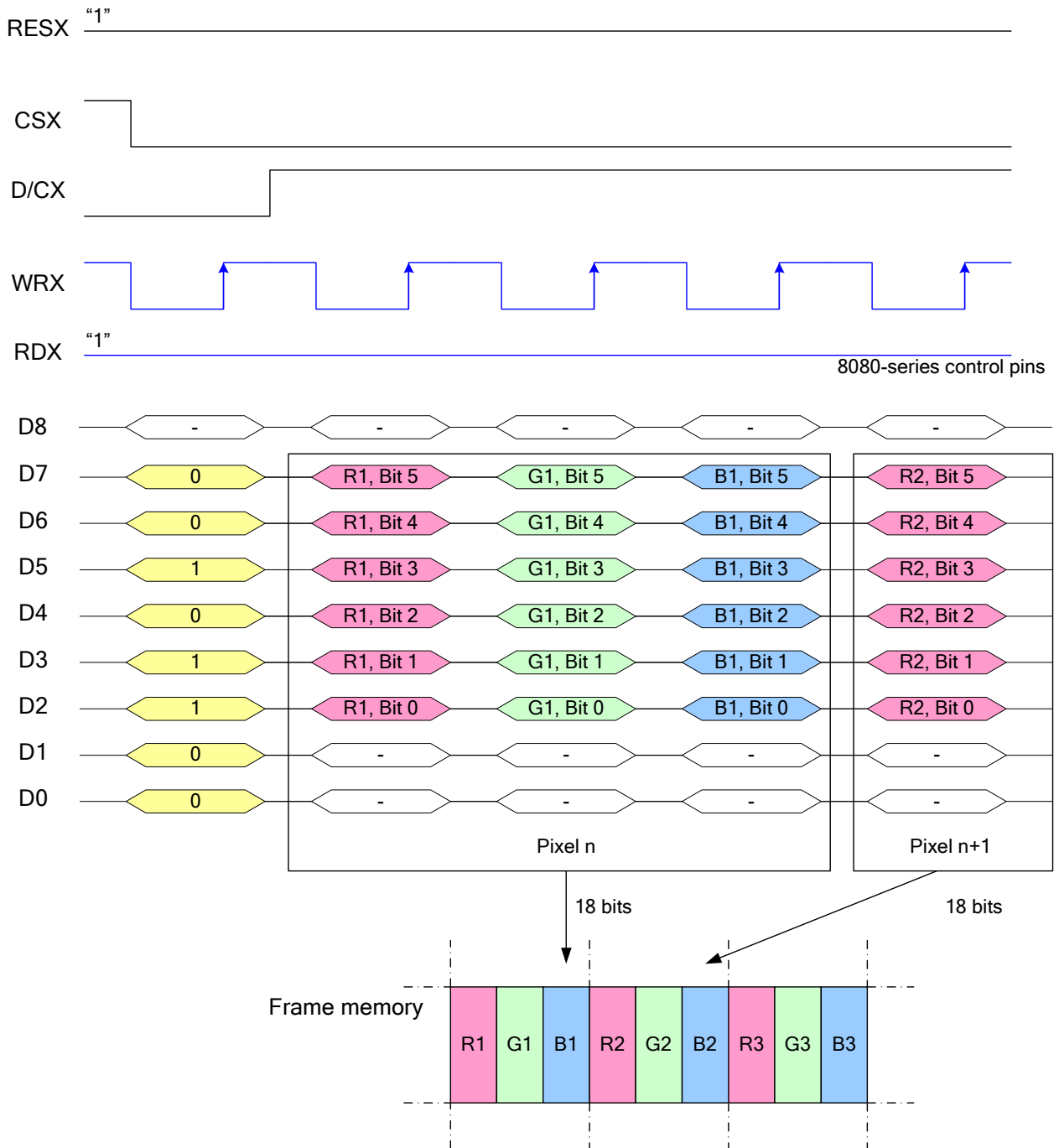


Note 1: The data order is as follows, MSB=D8, LSB=D0 and picture data is MSB=Bit 5, LSB=Bit 0 for Red, Green and Blue data.

Note 2: 2-time transfer is used to transmit 1 pixel data with the 18-bit color depth information.

Note 3: '-' = Don't care – Can be set to '0' or '1'

8.8.24 Write 9-bit data for RGB 6-6-6-bit input (262K-Color), 3Ah="06h", MDT[1:0]="01b"



Note 1: The data order is as follows, MSB=D8, LSB=D0 and picture data is MSB=Bit 5, LSB=Bit 0 for Red, Green and Blue data.  
 Note 2: 3-time transfer is used to transmit 1 pixel data with the 18-bit color depth information.  
 Note 3: '-' = Don't care - Can be set to '0' or '1'

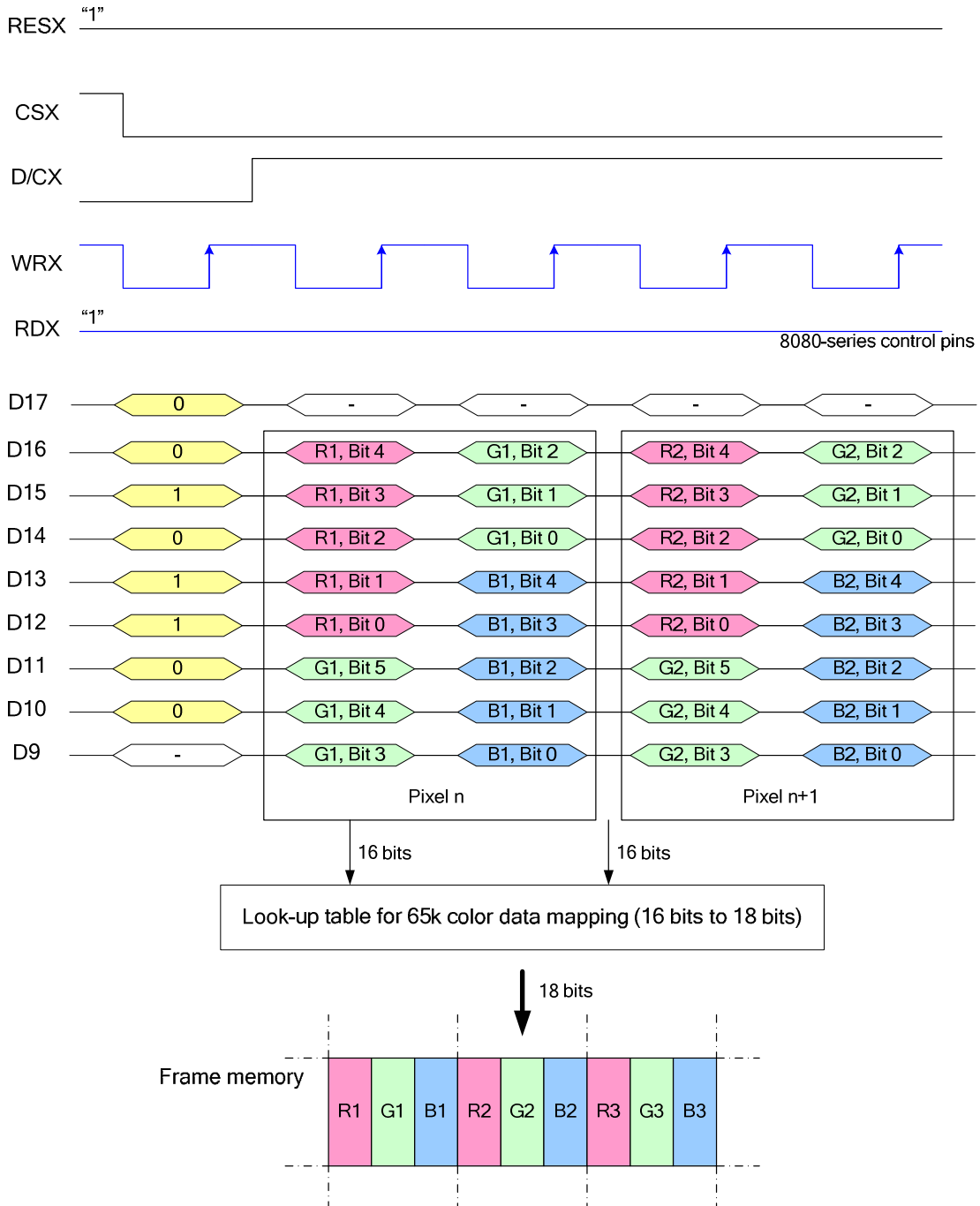
8.8.25 8080- II series 9-bit Parallel Interface

The 8080- II series 9-bit parallel interface of ST7789S can be used by setting IM[3:0]="1011b". Different display data formats are available for two colors depth supported by listed below.

-65k colors, RGB 5,6,5-bit input

-262k colors, RGB 6,6,6-bit input

8.8.26 Write 9-bit data for RGB 5-6-5-bit input (65K-Color), 3Ah="05h"



Note 1: The data order is as follows, MSB=D16, LSB=D9 and picture data is MSB=Bit 4, LSB=Bit 0 for Red, Green and Blue data.

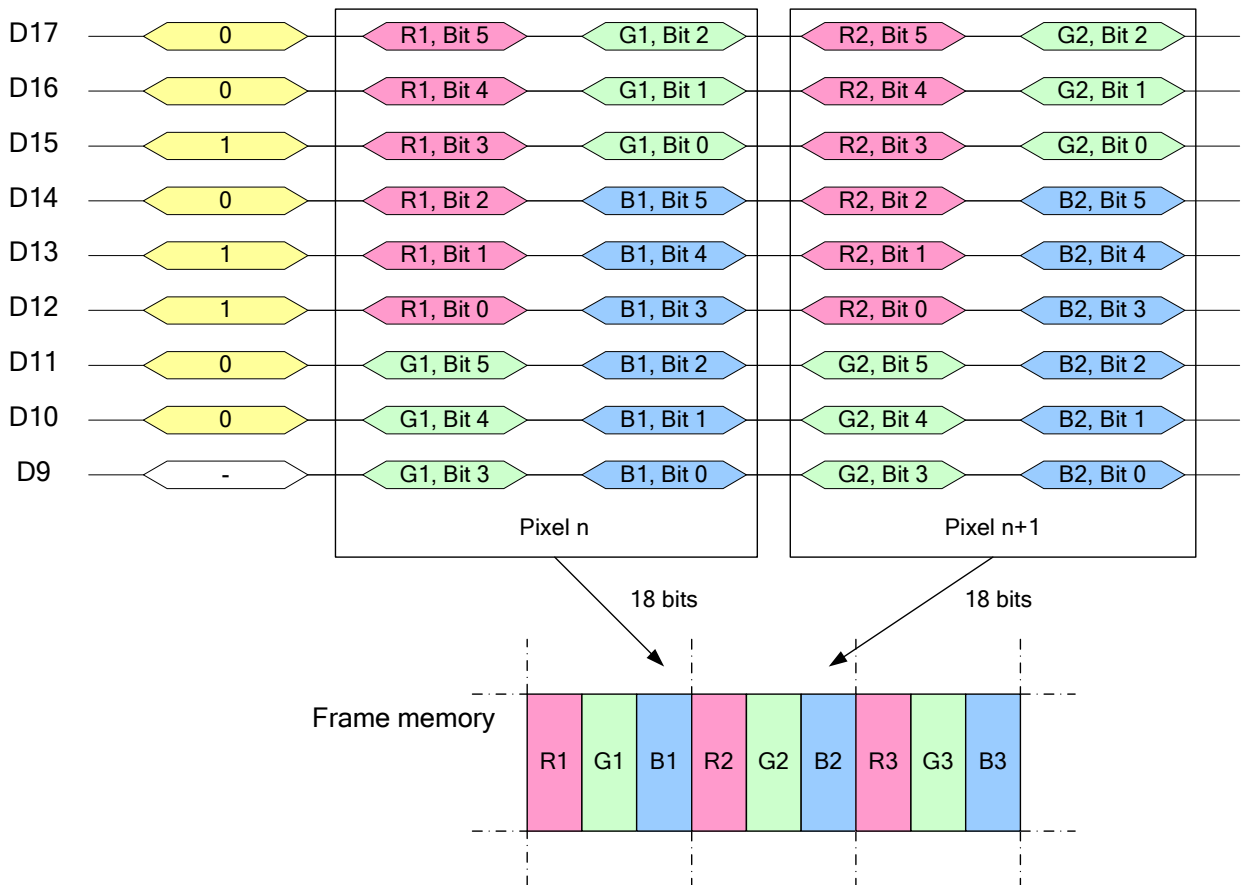
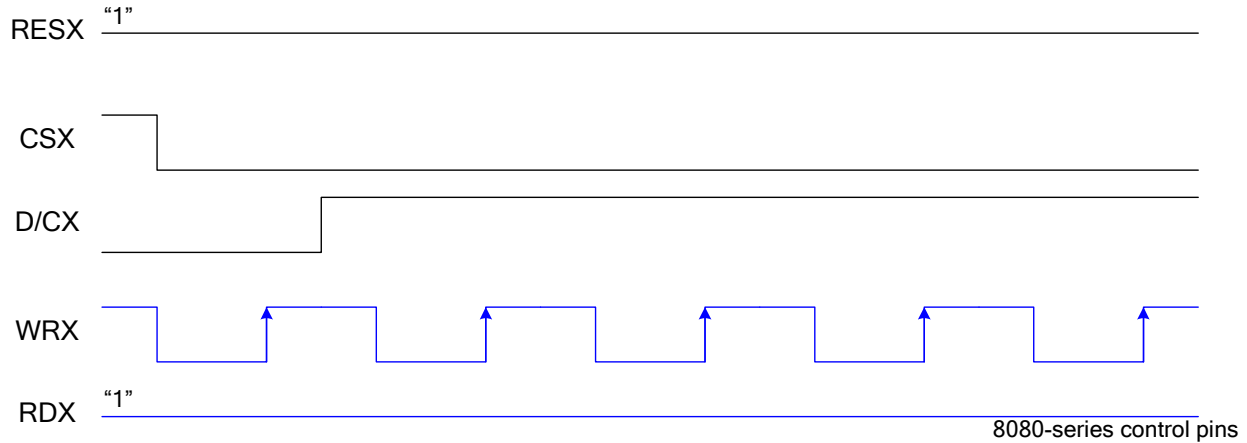
Note 2: 2-time transfer is used to transmit 1 pixel data with the 16-bit color depth information.

Note 3: '-' = Don't care – Can be set to '0' or '1'



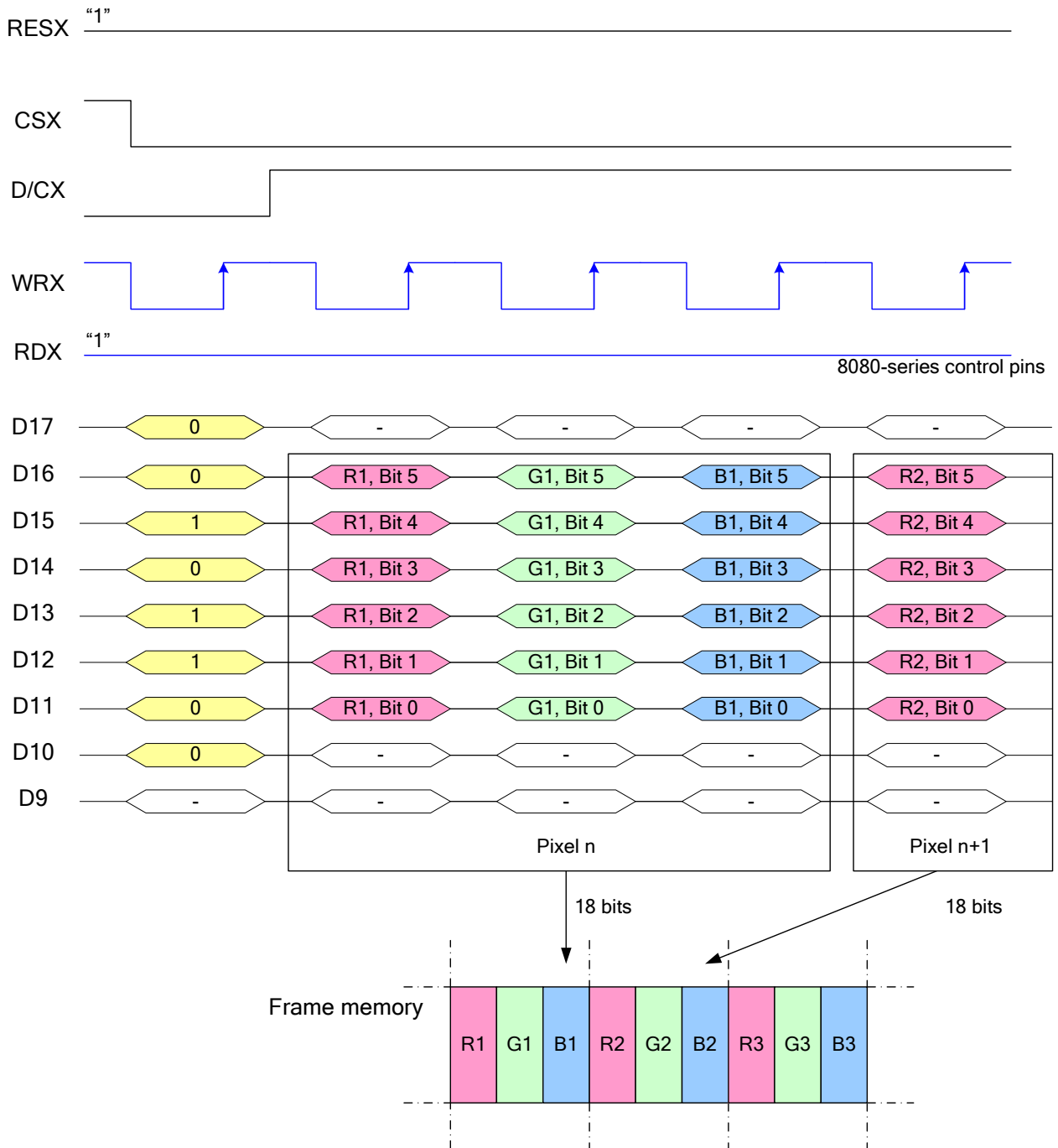
8.8.27 Write 9-bit data for RGB 6-6-6-bit input (262K-Color), 3Ah="06h", MDT[1:0]="00b"

There is 1 pixel (3 sub-pixels) per 2bytes



Note 1: The data order is as follows, MSB=D17, LSB=D9 and picture data is MSB=Bit 5, LSB=Bit 0 for Red, Green and Blue data.  
 Note 2: 2-time transfer is used to transmit 1 pixel data with the 18-bit color depth information.  
 Note 3: '-' = Don't care – Can be set to '0' or '1'

8.8.28 Write 9-bit data for RGB 6-6-6-bit input (262K-Color), 3Ah="06h", MDT[1:0]="01b"



Note 1: The data order is as follows, MSB=D16, LSB=D11 and picture data is MSB=Bit 5, LSB=Bit 0 for Red, Green and Blue data.  
 Note 2: 3-time transfer is used to transmit 1 pixel data with the 18-bit color depth information.  
 Note 3: '-' = Don't care - Can be set to '0' or '1'

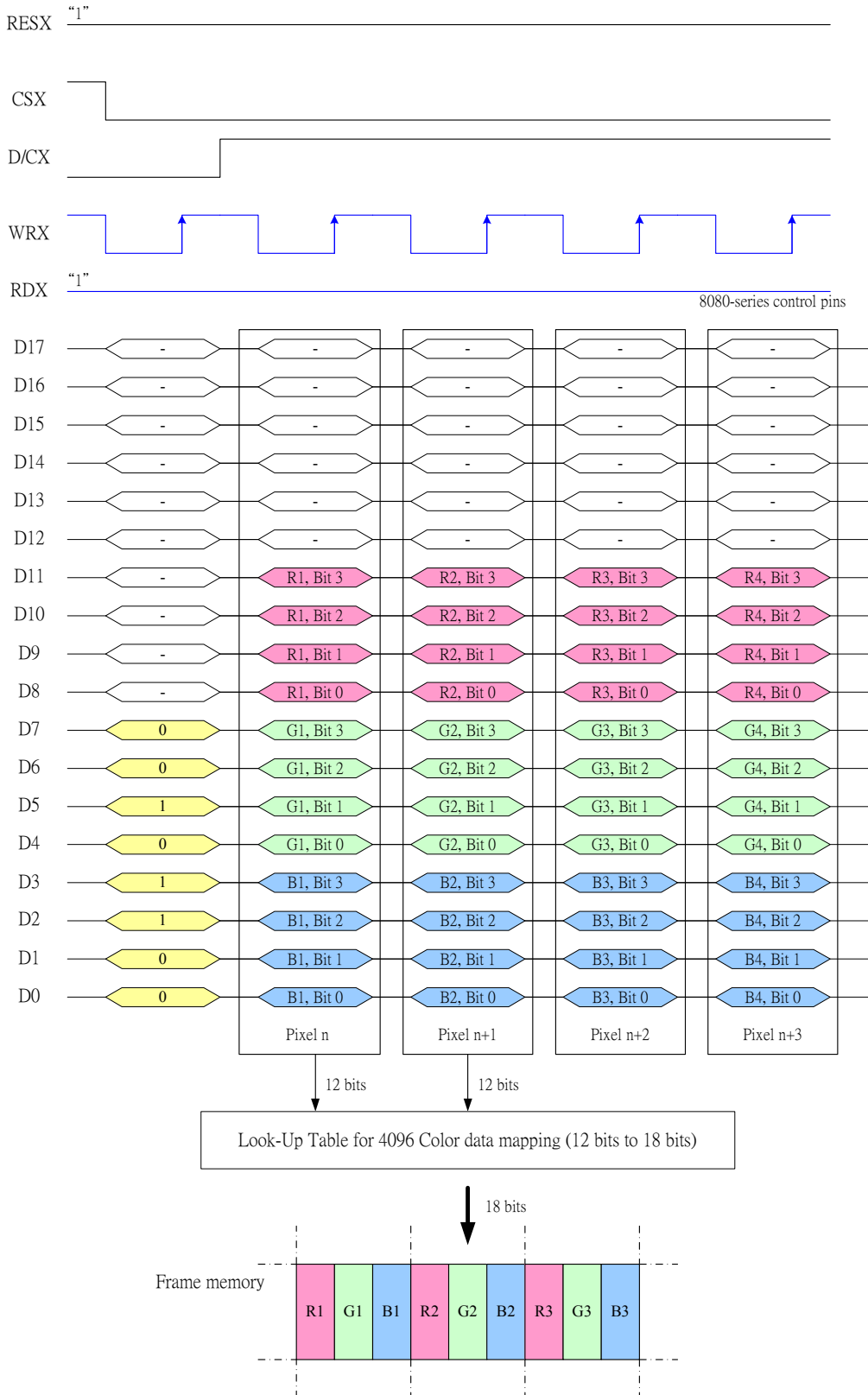
**8.8.29 8080- I series 18-Bit Parallel Interface**

The 8080- I series 18-bit parallel interface of ST7789S can be used by setting IM[3:0]="0011b". Different display data formats are available for three colors depth supported by listed below.

- 4k colors, RGB 4,4,4-bit input
- 65k colors, RGB 5,6,5-bit input
- 262k colors, RGB 6,6,6-bit input.

8.8.30 18-bit data bus for 12-bit/pixel (RGB-4-4-4-bit input), 4K-colors, 3Ah="03h"

There is 1 pixel (3 sub-pixels) per byte

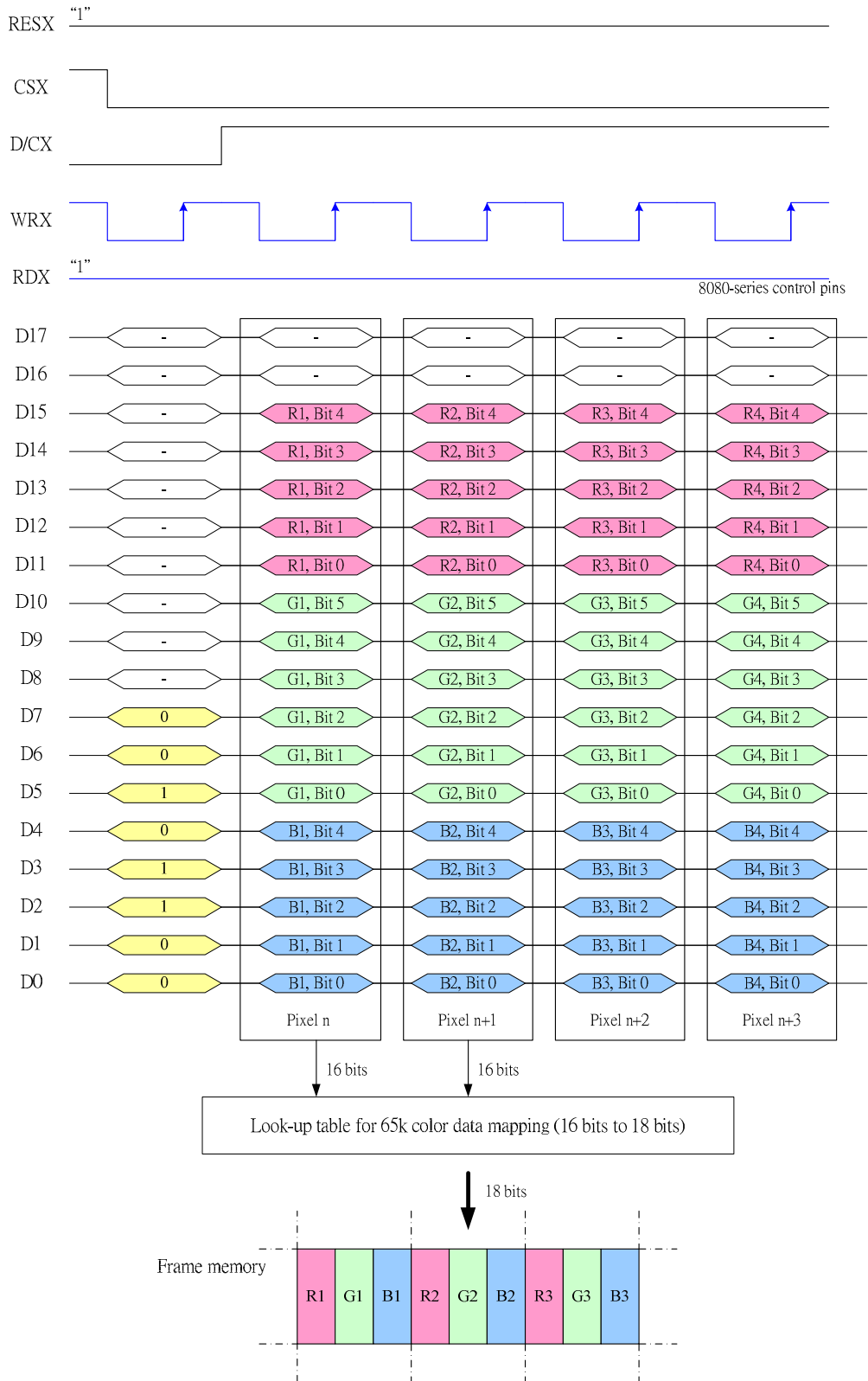


Note 1: The data order is as follows, MSB=D11, LSB=D0 and picture data is MSB=Bit 3, LSB=Bit 0 for Red, Green and Blue data.

Note 2: 1-times transfer is used to transmit 1 pixel data with the 12-bit color depth information.

8.8.31 18-bit data bus for 16-bit/pixel (RGB-5-6-5-bit input), 65K-colors, 3Ah="05h"

There is one pixel (3 sub-pixels) per byte

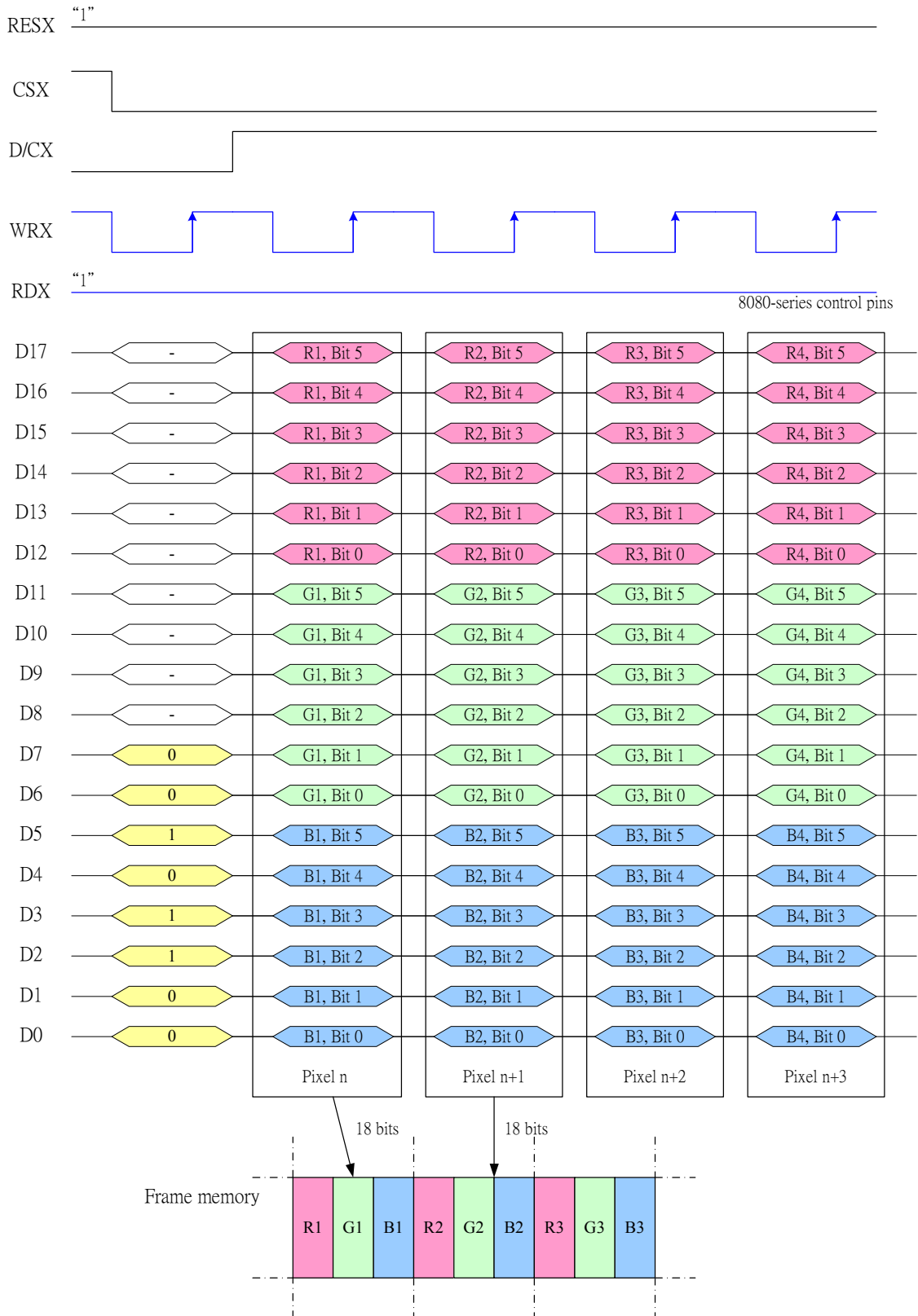


Note 1: The data order is as follows, MSB=D15, LSB=D0 and picture data is MSB=Bit 5, LSB=Bit 0 for Green, and MSB=Bit 4, LSB=Bit 0 for Red and Blue data.

Note 2: 1-time transfer is used to transmit 1 pixel data with the 16-bit color depth information.

8.8.32 18-bit data bus for 18-bit/pixel (RGB-6-6-6-bit input), 262K-colors, 3Ah="06h"

There is 1 pixel (3 sub-pixels) per byte



Note 1: The data order is as follows, MSB=D17, LSB=D0 and picture data is MSB=Bit 5, LSB=Bit 0 for Read, Green and Blue data.

Note 2: 1-times transfer (D17o D0) is used to transmit 1 pixel data with the 18-bit color depth information.

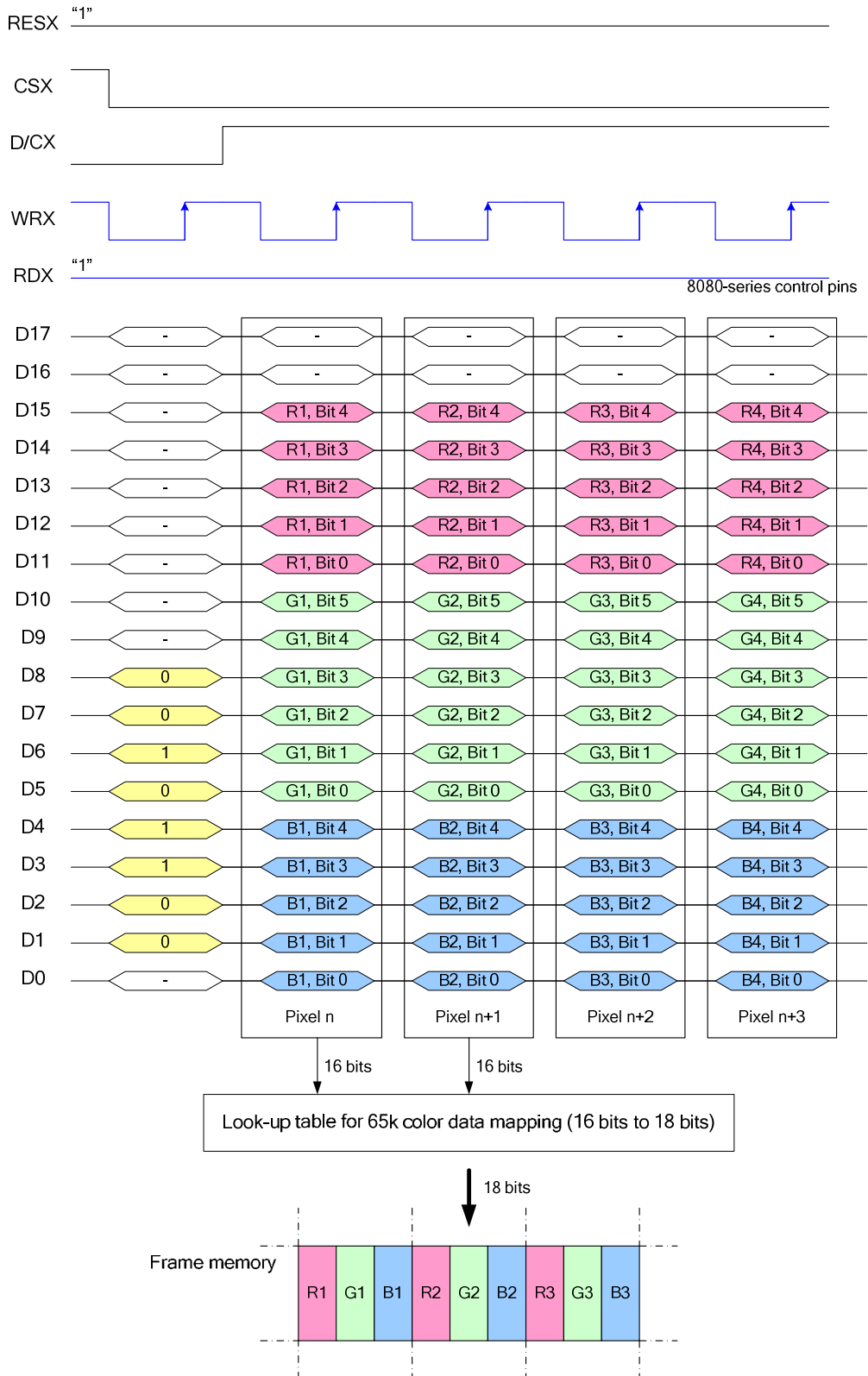
**8.8.33 8080- II series 18-Bit Parallel Interface**

The 8080- II series 18-bit parallel interface of ST7789S can be used by setting IM[3:0]="1010b". Different display data formats are available for two colors depth supported by listed below.

- 65k colors, RGB 5,6,5-bit input
- 262k colors, RGB 6,6,6-bit input.

8.8.34 18-bit data bus for 16-bit/pixel (RGB-5-6-5-bit input), 65K-colors, 3Ah="05h"

There is one pixel (3 sub-pixels) per byte



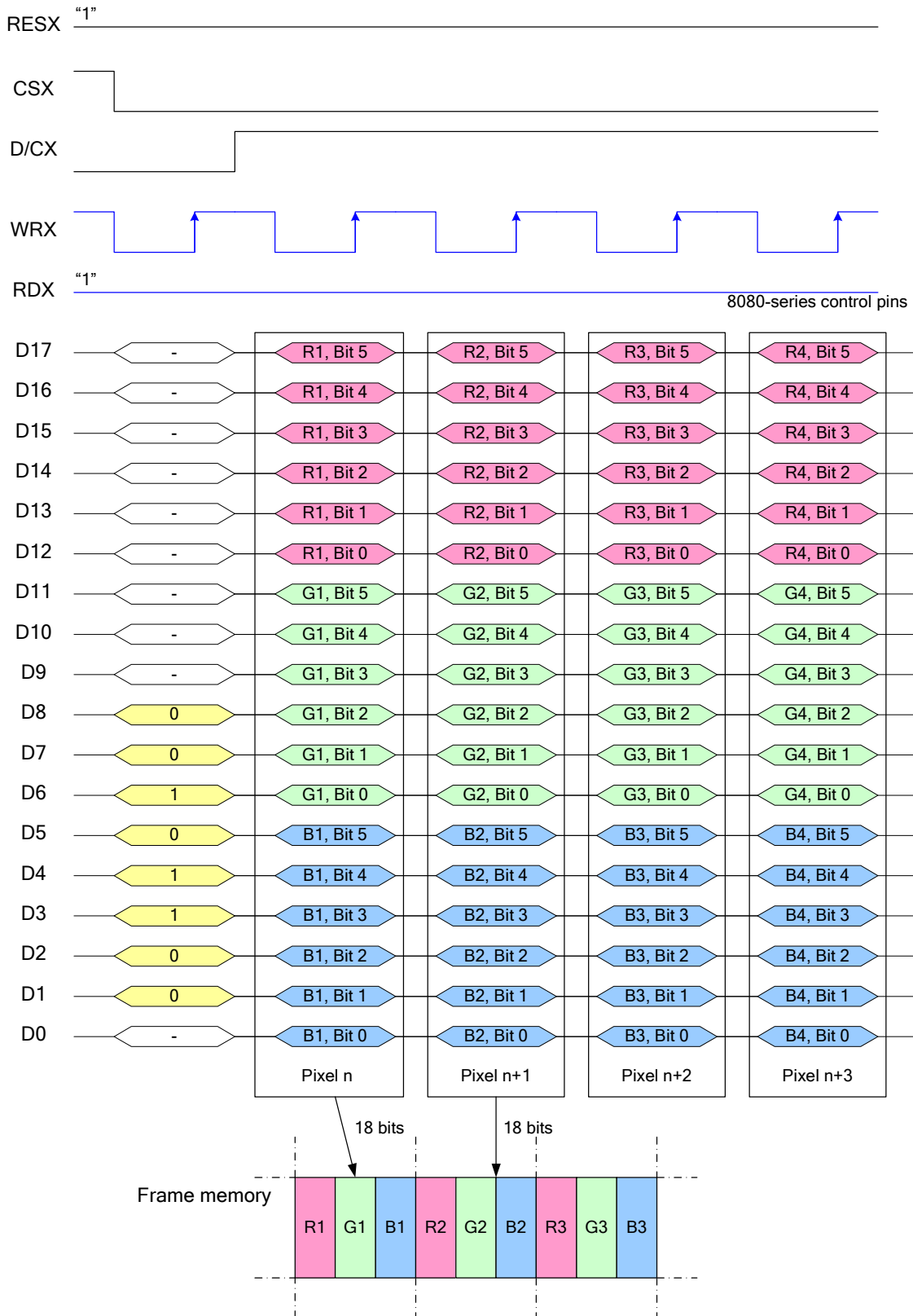
Note 1: The data order is as follows, MSB=D15, LSB=D0 and picture data is MSB=Bit 5, LSB=Bit 0 for Green, and MSB=Bit 4, LSB=Bit 0 for Red and Blue data.

Note 2: 1-time transfer is used to transmit 1 pixel data with the 16-bit color depth information.



8.8.35 18-bit data bus for 18-bit/pixel (RGB-6-6-6-bit input), 262K-colors, 3Ah="06h"

There is 1 pixel (3 sub-pixels) per byte



Note 1: The data order is as follows, MSB=D17, LSB=D0 and picture data is MSB=Bit 5, LSB=Bit 0 for Read, Green and Blue data.

Note 2: 1-times transfer (D17 to D0) is used to transmit 1 pixel data with the 18-bit color depth information.

8.8.36 3-Line Serial Interface

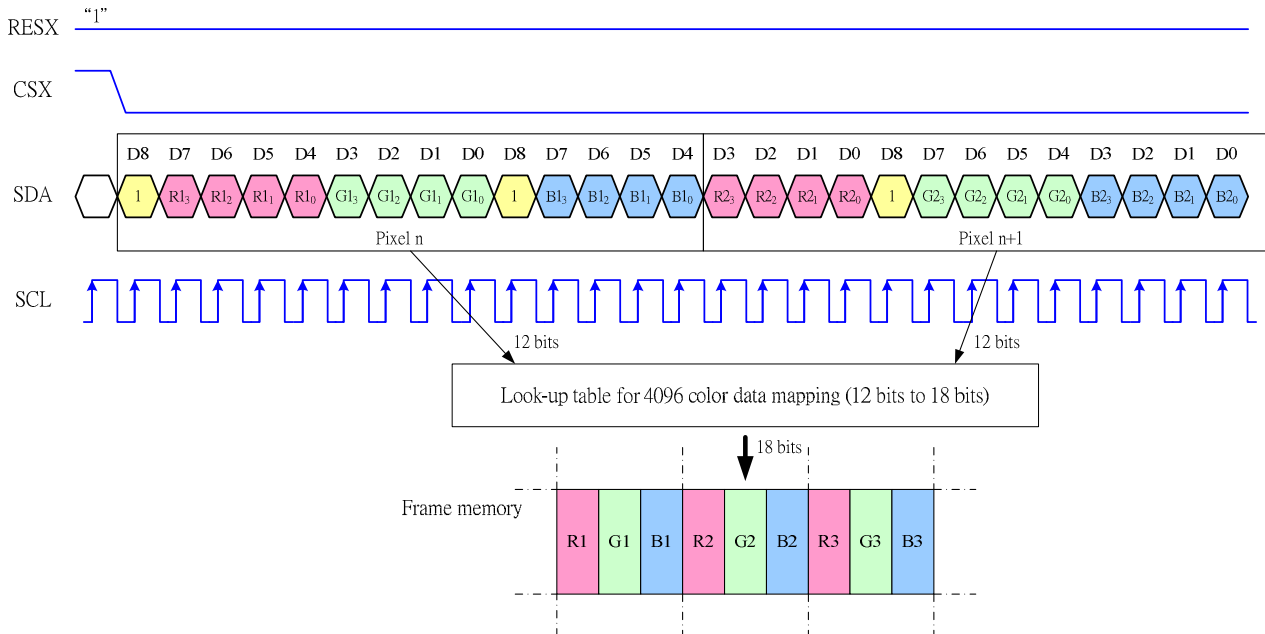
Different display data formats are available for three colors depth supported by the LCM listed below.

4k colors, RGB 4-4-4-bit input

65k colors, RGB 5-6-5-bit input

262k colors, RGB 6-6-6-bit input

8.8.37 Write data for 12-bit/pixel (RGB-4-4-4 bit input), 4K-Colors, 3Ah="03h"

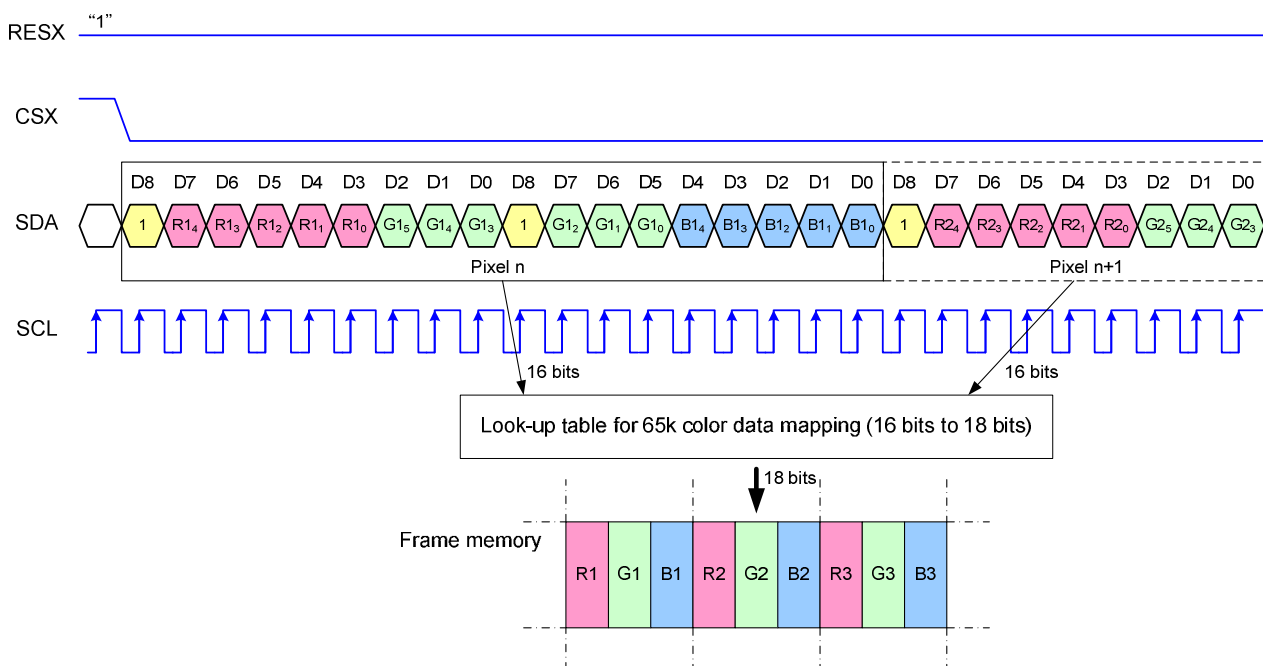


Note 1: Pixel data with the 12-bit color depth information

Note 2: The most significant bits are: Rx3, Gx3 and Bx3

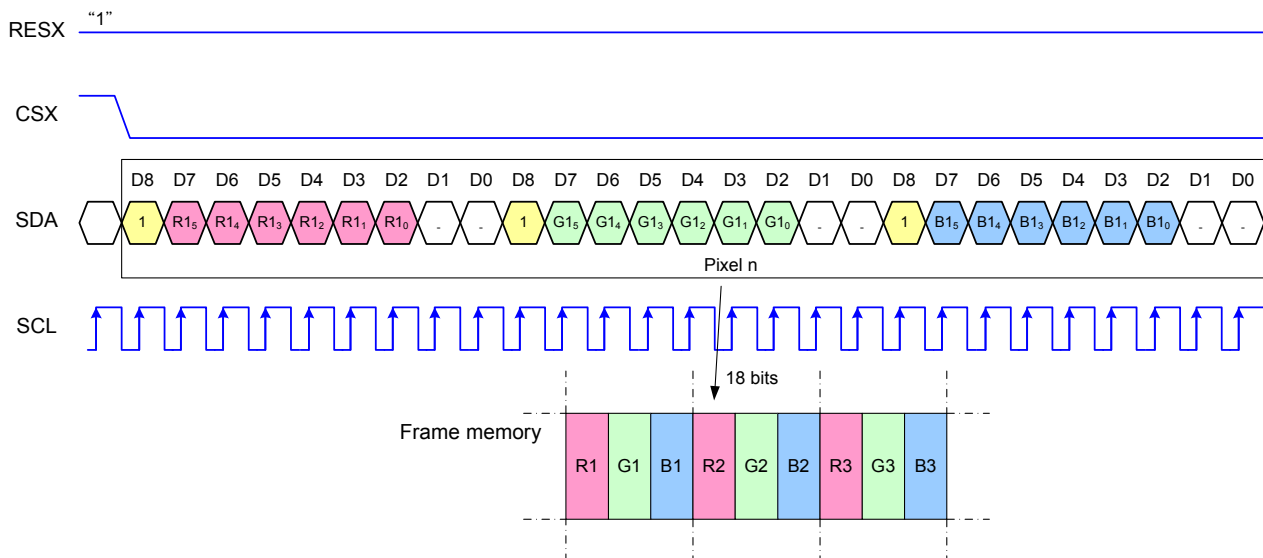
Note 3: The least significant bits are: Rx0, Gx0 and Bx0

8.8.38 Write data for 16-bit/pixel (RGB 5-6-5-bit input), 65K-Colors, 3Ah="05h"



- Note 1: Pixel data with the 16-bit color depth information
- Note 2: The most significant bits are: Rx4, Gx5 and Bx4
- Note 3: The least significant bits are: Rx0, Gx0 and Bx0

8.8.39 Write data for 18-bit/pixel (RGB-6-6-6-bit input), 262K-Colors, 3Ah="06h"



- Note 1: Pixel data with the 18-bit color depth information
- Note 2: The most significant bits are: Rx5, Gx5 and Bx5
- Note 3: The least significant bits are: Rx0, Gx0 and Bx0

8.8.40 4-Line Serial Interface

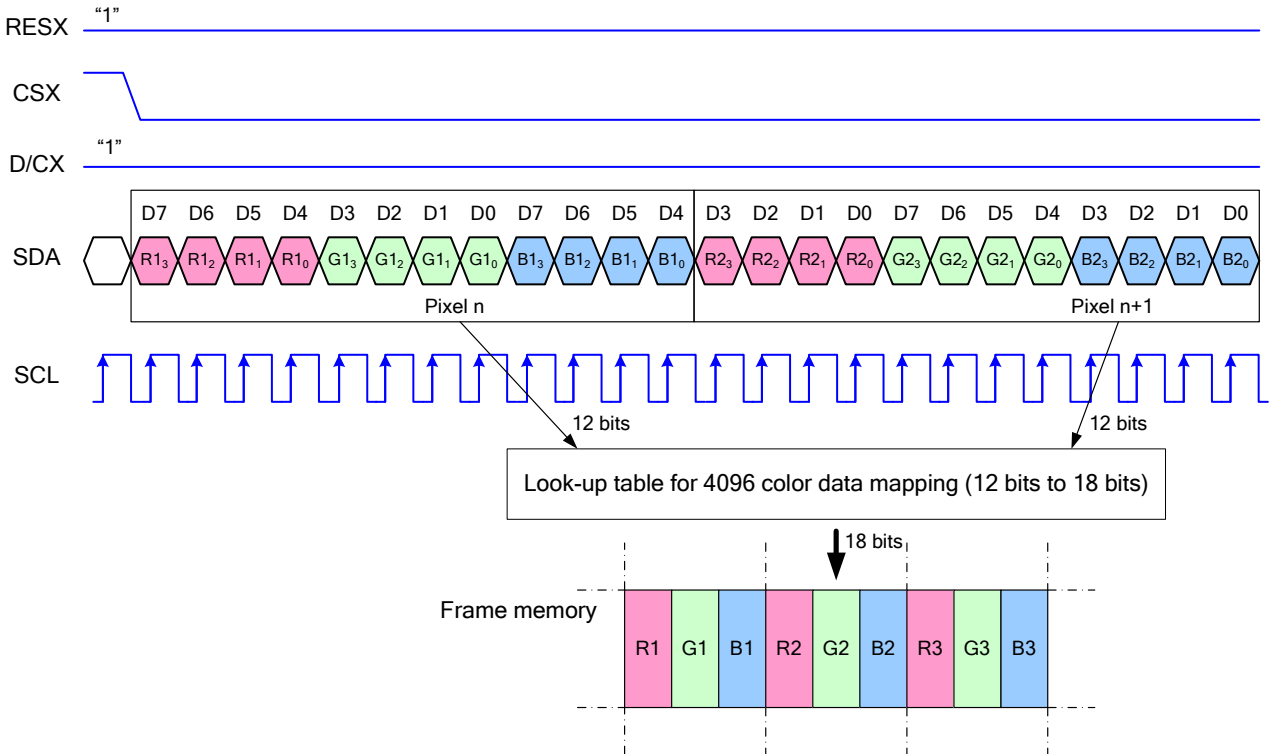
Different display data formats are available for three colors depth supported by the LCM listed below.

4k colors, RGB 4-4-4-bit input

65k colors, RGB 5-6-5-bit input

262k colors, RGB 6-6-6-bit input

8.8.41 Write data for 12-bit/pixel (RGB 4-4-4-bit input), 4K-Colors, 3Ah="03h"

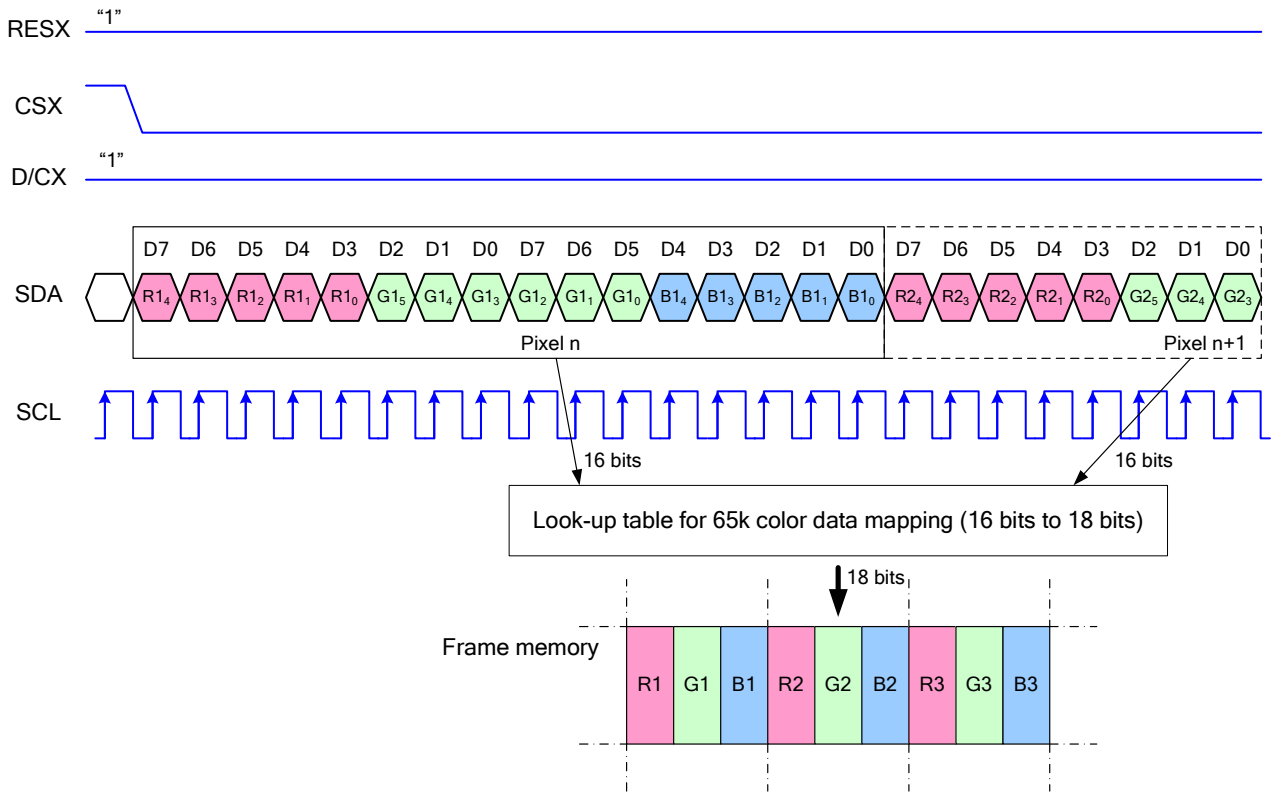


Note 1. pixel data with the 12-bit color depth information

Note 2. The most significant bits are: Rx3, Gx3 and Bx3

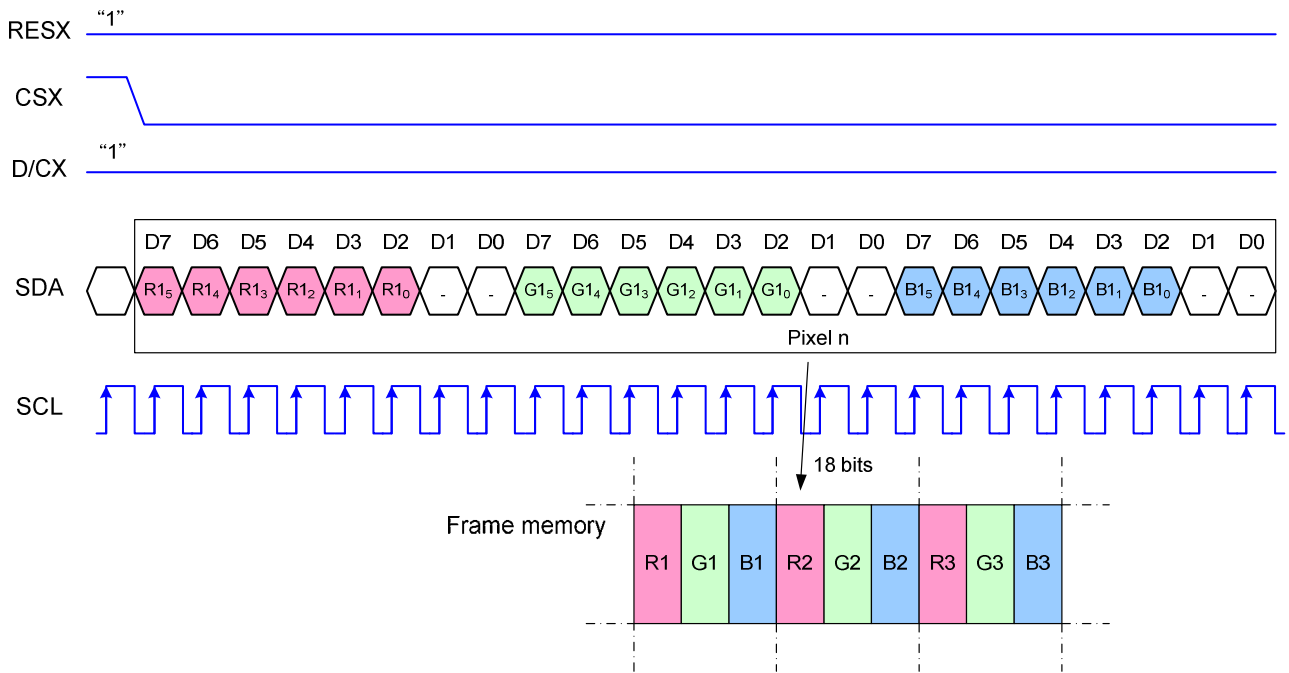
Note 3. The least significant bits are: Rx0, Gx0 and Bx0

8.8.42 Write data for 16-bit/pixel (RGB-5-6-5-bit input), 65K-Colors, 3Ah="05h"



- Note 1. pixel data with the 16-bit color depth information
- Note 2. The most significant bits are: Rx4, Gx5 and Bx4
- Note 3. The least significant bits are: Rx0, Gx0 and Bx0

8.8.43 Write data for 18-bit/pixel (RGB-6-6-6-bit input), 262K-Colors, 3Ah="06h"



- Note 1. pixel data with the 18-bit color depth information
- Note 2. The most significant bits are: Rx5, Gx5 and Bx5
- Note 3. The least significant bits are: Rx0, Gx0 and Bx0

## 8.9 RGB Interface

### 8.9.1 RGB interface Selection

The color format selection of RGB Interface for ST7789S is selected by setting the RIM and command 3Ah, DB[6:4].

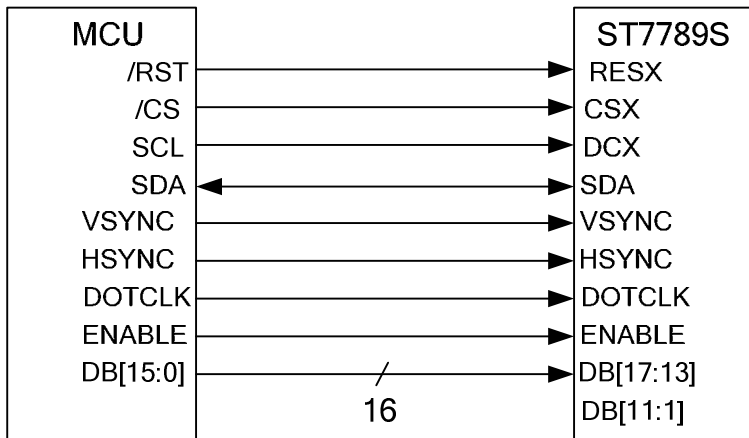
RIM	3Ah, DB[6:4]	RGB Interface Mode	Data pins
0	110	18-bit 262K RGB Interface	DB[17:0]
0	101	16-bit 65K RGB Interface	DB[17:13], DB[11:1]
1	110	6-bit 262K RGB Interface	DB[5:0]
1	101	6-bit 65K RGB Interface	DB[5:0]

### 8.9.2 RGB Color Format

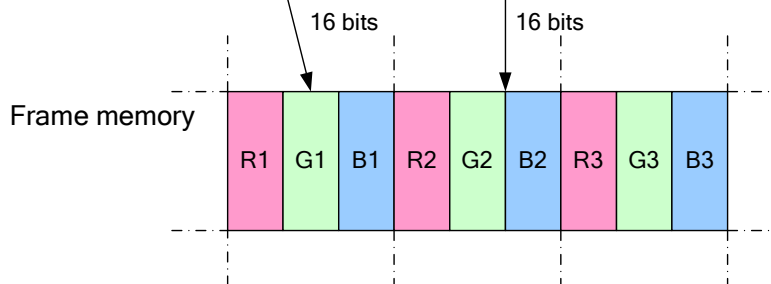
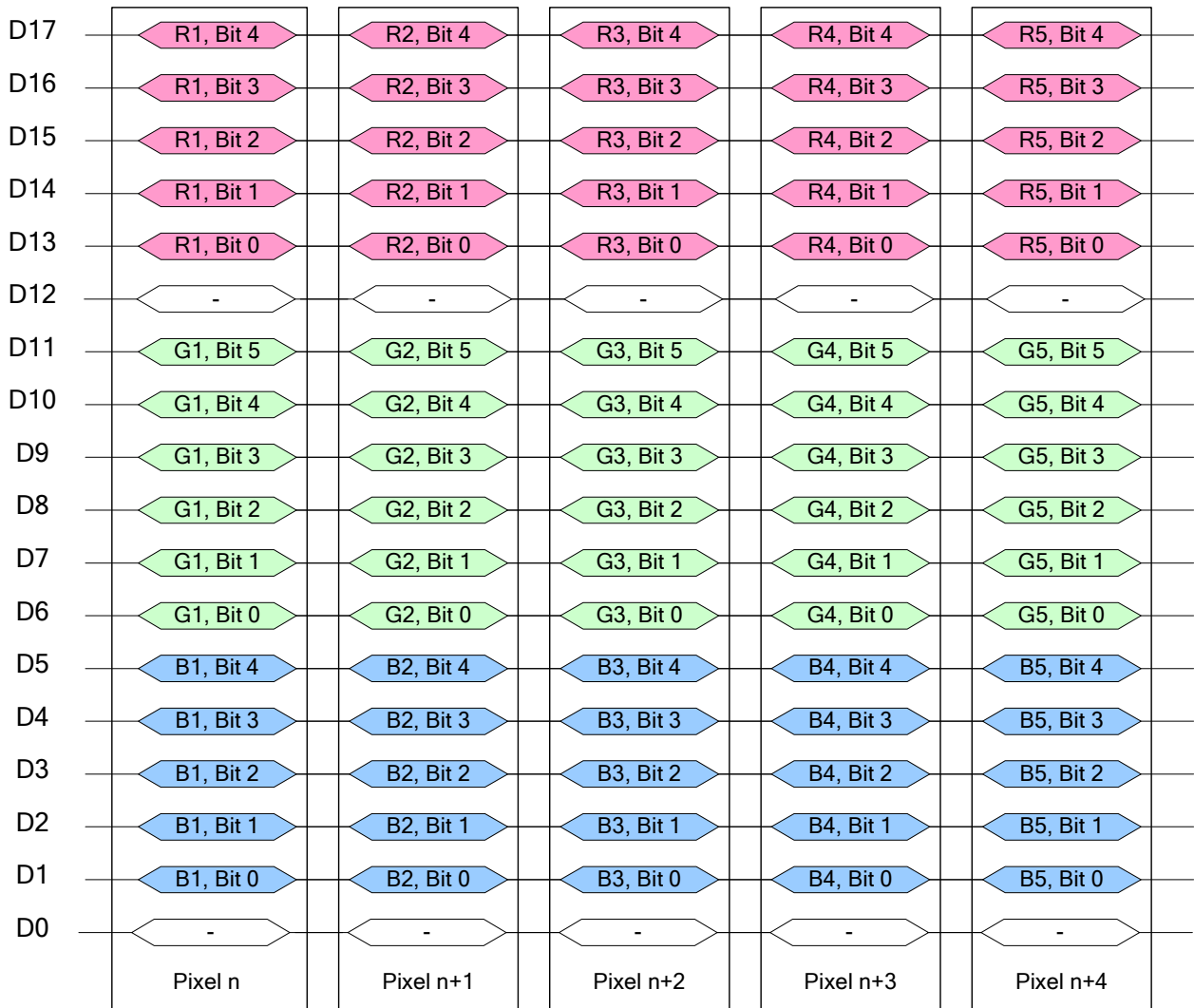
ST7789S supports two kinds of RGB interface, DE mode and HV mode, and 6bit/18bit data format. When DE mode is selected and the VSYNC, HSYNC, DOTCLK, DE, D[17:0] pins can be used; when HV mode is selected and the VSYNC, HSYNC, DOTCLK, D[17:0] pins can be used. When using RGB interface, only serial interface can be selected.

16-bit RGB interface Hardware suggestion, IM[3:0]=0101.

#### 16-bit RGB Interface



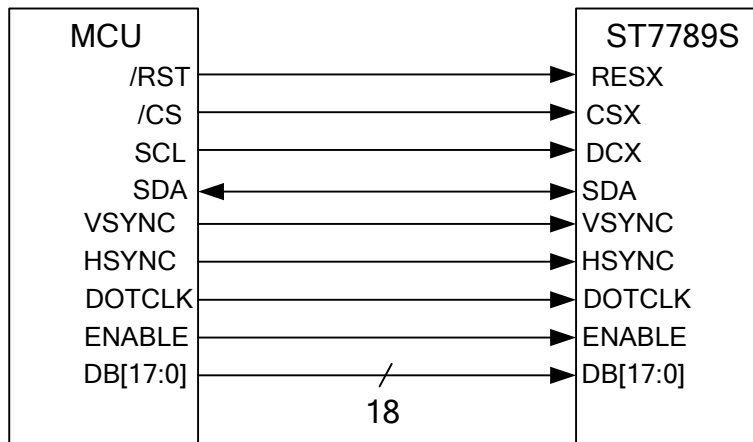
Write data for 16-bit/pixel (RGB 5-6-5-bit input), 65K-Colors



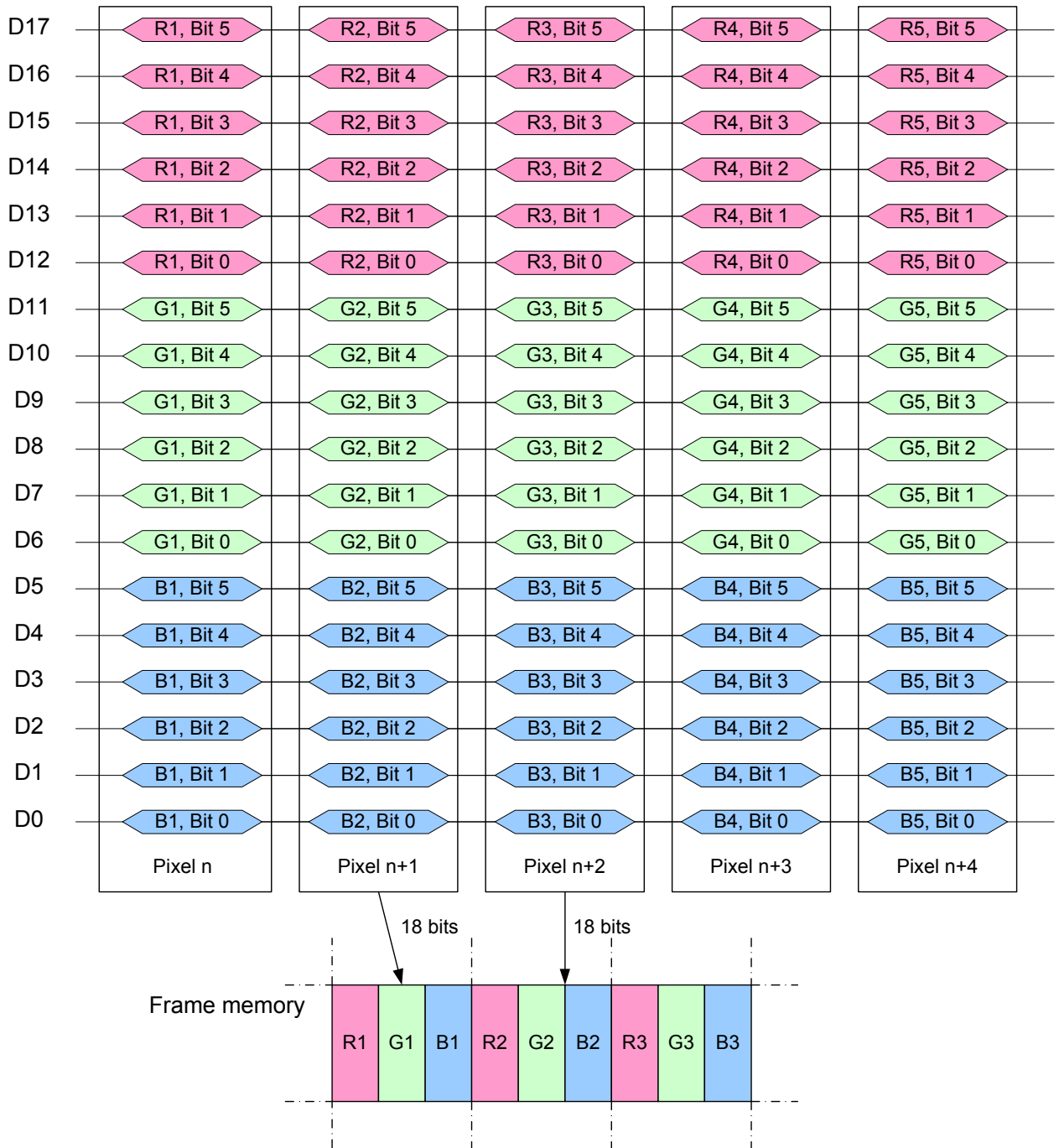


18-bit RGB interface hardware suggestion, IM[3:0]=0101.

18-bit RGB Interface

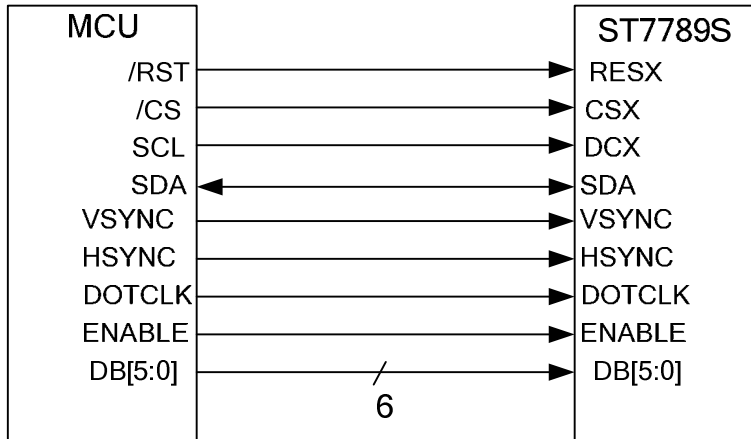


Write data for 18-bit/pixel (RGB 6-6-6-bit input), 262K-Colors

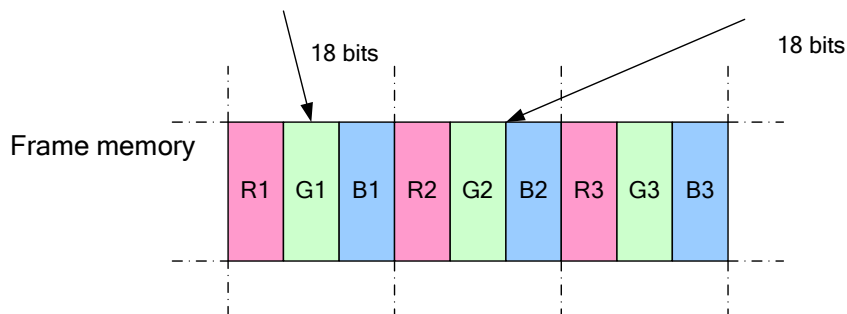
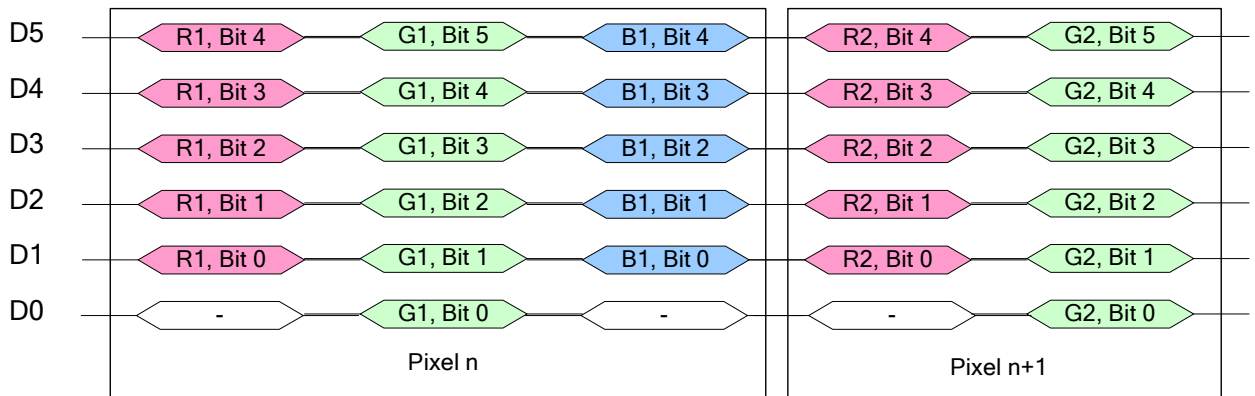


6-bit RGB interface hardware suggestion, IM[3:0]=0101.

6-bit RGB Interface



Write data for 6-bit/pixel (RGB 5-6-5-bit input), 65K-Colors



Write data for 6-bit/pixel (RGB 6-6-6-bit input), 262K-Colors

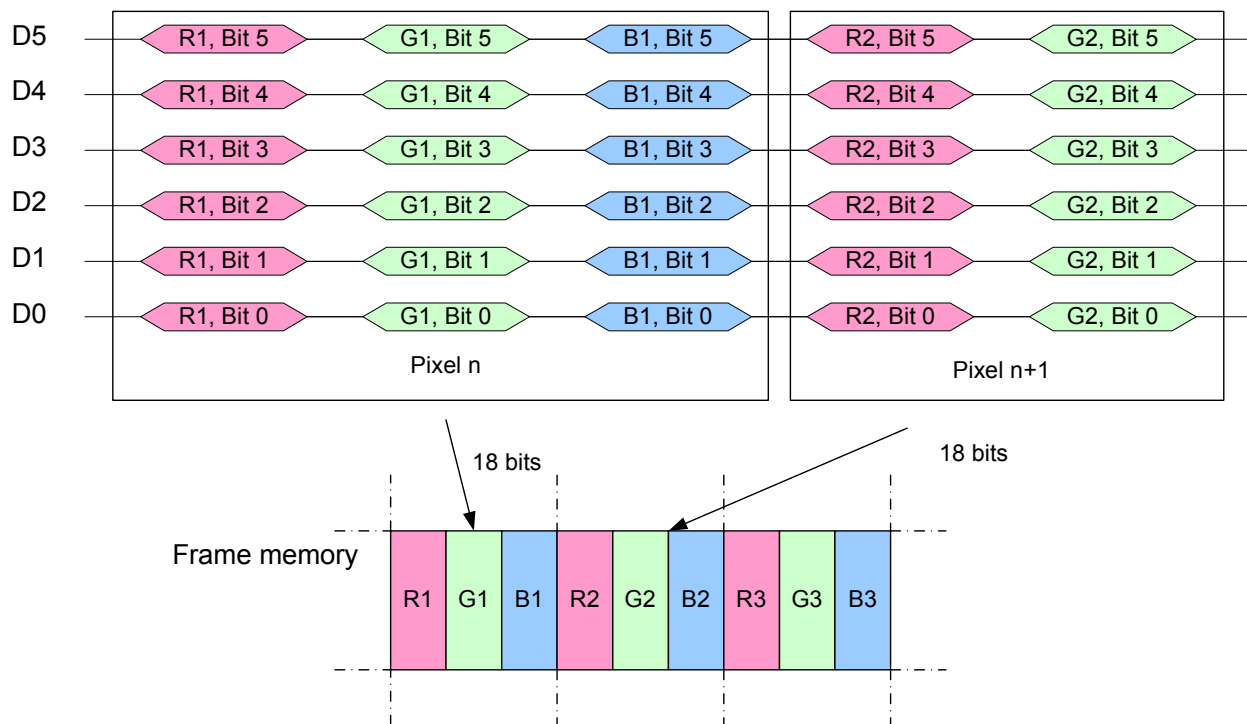


Figure 23 RGB Interface Data Format

8.9.3 RGB Interface Definition

The display operation via the RGB interface is synchronized with the VSYNC, HSYNC, and DOTCLK signals. The data can be written only within the specified area with low power consumption by using window address function. The back porch and front porch are used to set the RGB interface timing.

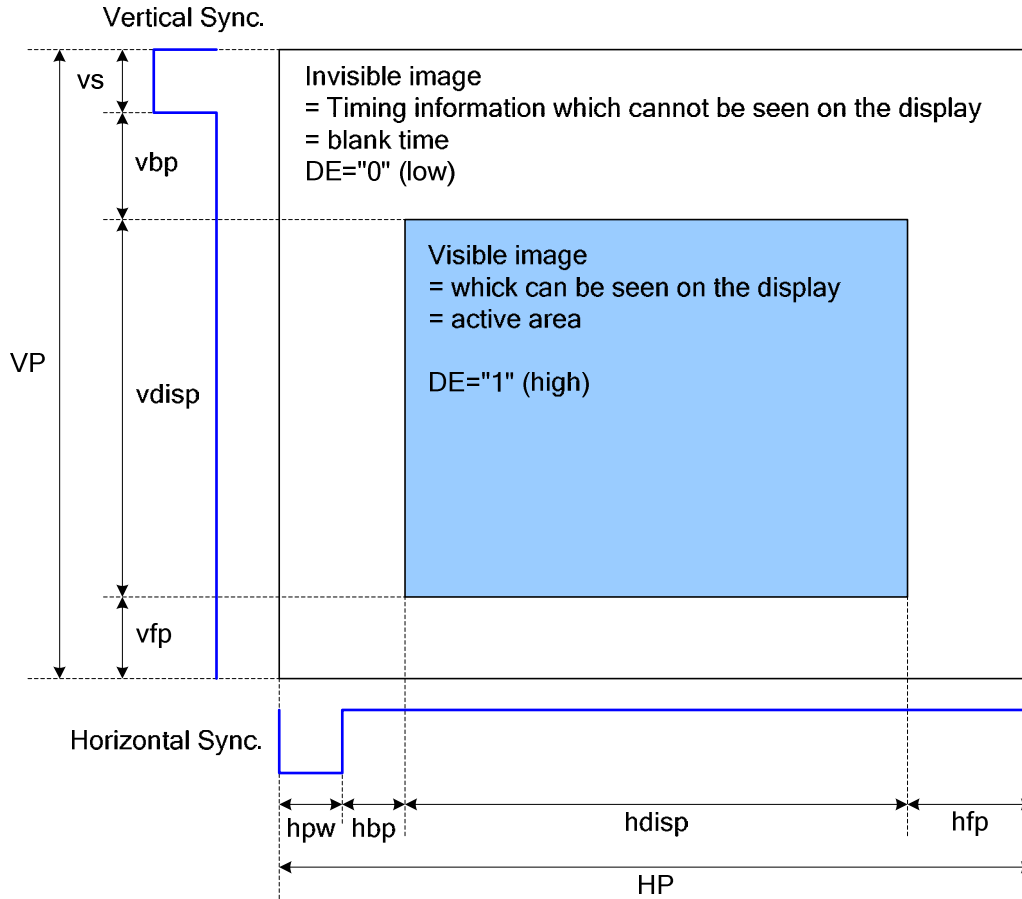


Figure 24 DRAM Access Area by RGB Interface

Please refer to the following table for the setting limitation of RGB interface signals.

Parameter	Symbol	Min.	Typ.	Max.	Unit
Horizontal Sync. Width	hpw	2	10	hpw+hbp=31	Clock
Horizontal Sync. Back Porch	hbp	4	10		Clock
Horizontal Sync. Front Porch	hfp	2	38	-	Clock
Vertical Sync. Width	vs	1	4	vs+vbp=127	Line
Vertical Sync. Back Porch	vbp	1	4		Line
Vertical Sync. Front Porch	vfp	1	8	-	Line

Note:

1. Typical value are related to the setting of dot clock is 7MHz and frame rate is 70Hz..
2. If the setting of hpw is 10 dot clocks and hbp is 10 dot clocks, the setting of HBP in command B1h is 20 dot clocks
3. In with ram mode, hpw+hbp+hfp ≥ 22
4. In without ram mode, hpw+hbp ≥ 20

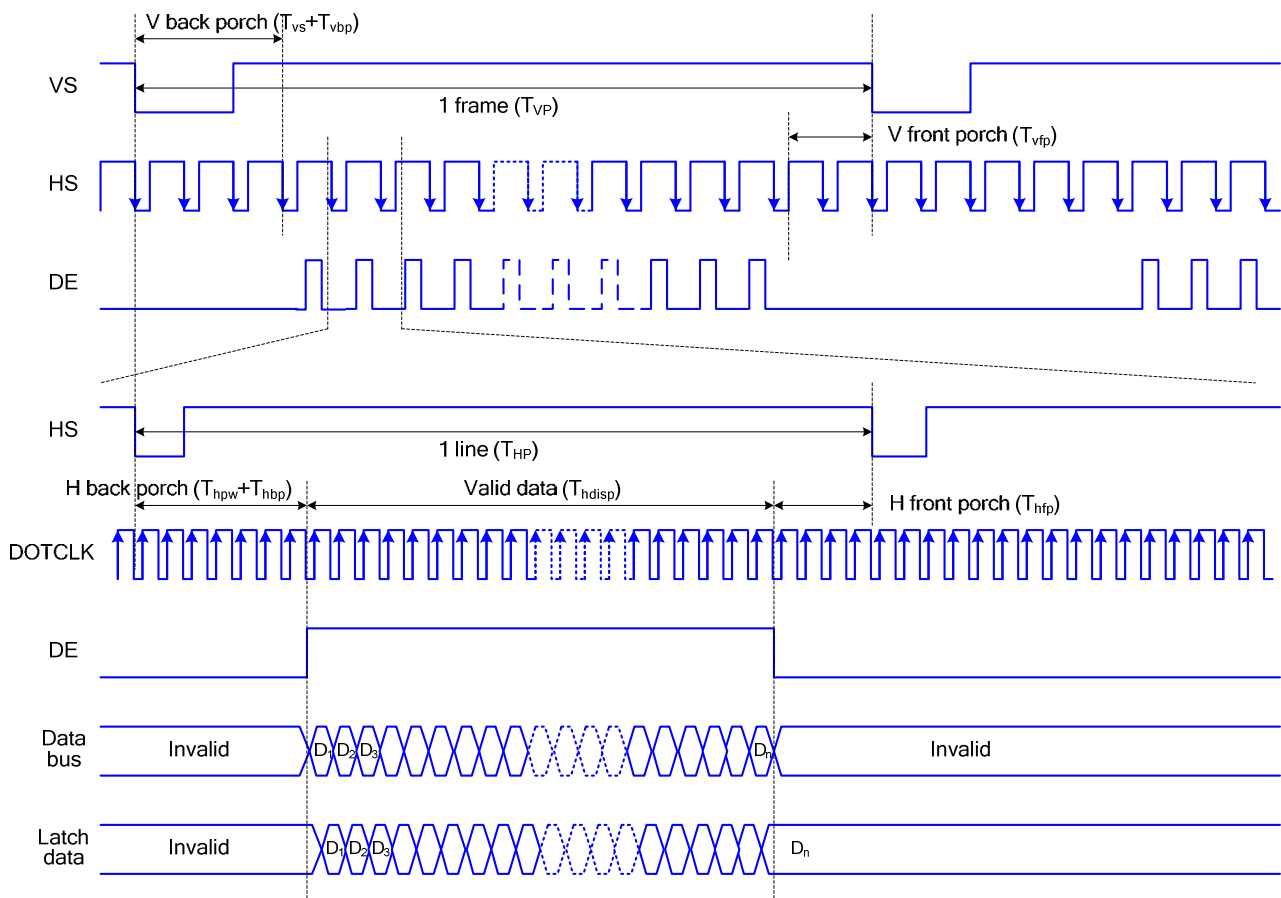
8.9.4 RGB Interface Mode Selection

ST7789S supports two kinds of RGB interface, DE mode and HV mode. Each mode also can select with ram and without ram. The table shown below uses command B1h to select RGB interface mode.

RCM[1:0]	WO	RGB Mode	Data Path
10	0	DE mode	Ram
	1		Shift register (without Ram)
11	0	HV mode	Ram
	1		Shift register (without Ram)

8.9.5 RGB Interface Timing

The timing chart of RGB interface DE mode is shown as follows.



Note: The setting of front porch and back porch in host must match that in IC as this mode.

Figure 25 Timing Chart of Signals in RGB Interface DE Mode

The timing chart of RGB interface HV mode is shown as follows.

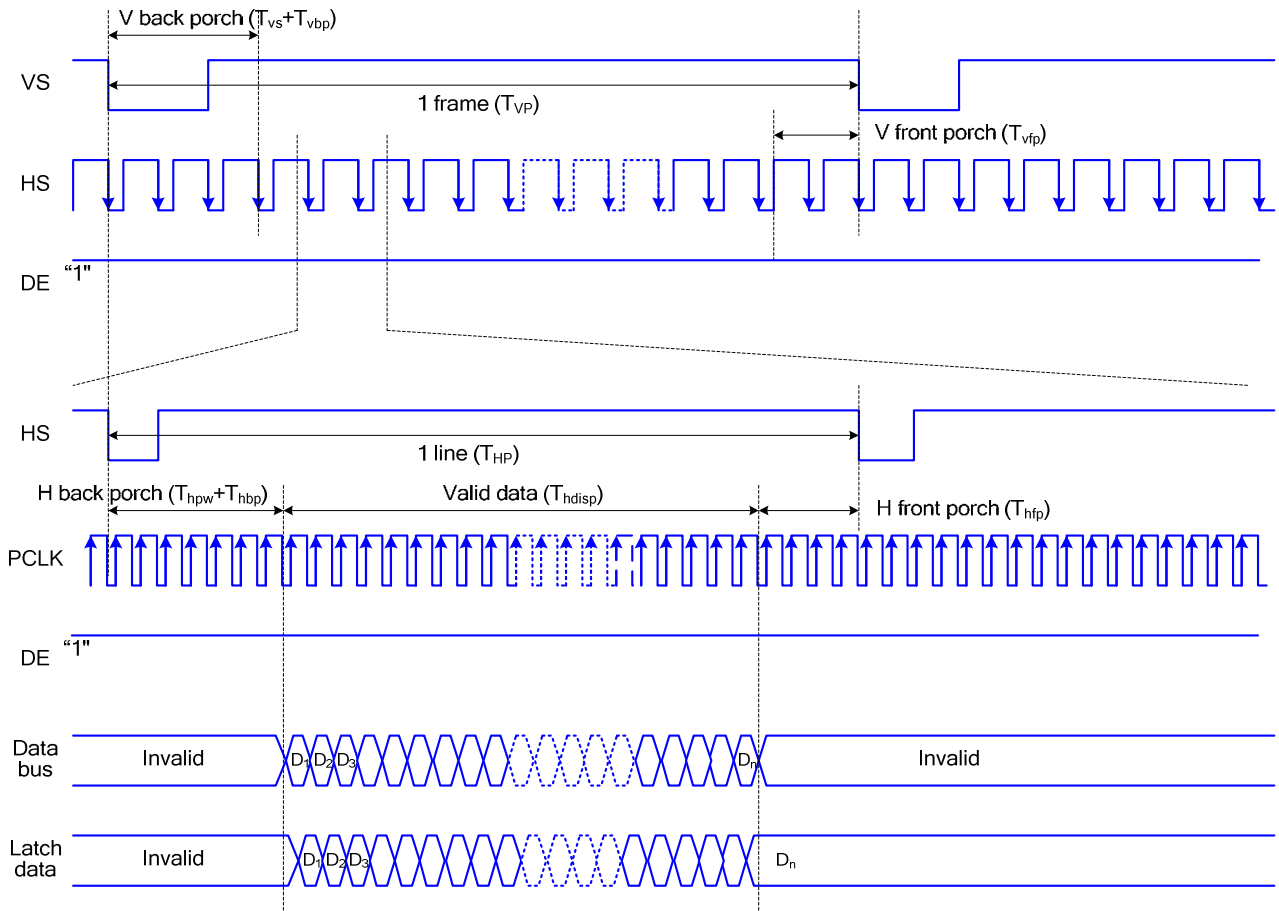


Figure 26 Timing chart of RGB interface HV mod

The following are the functions not available in RGB Input Interface mode.

Function	RGB Interface	I80 System Interface
Partial display	Not available	Available
Scroll function	Not available	Available
Interlaced scan	Not available	Available
Graphics operation function	Not available	Available

VSYNC, HSYNC, and DOTCLK signals must be supplied during a display operation period.

In RGB interface mode, the panel controlling signals are generated from DOTCLK, not the internal clock generated from the internal oscillator.

In 6-bit RGB interface mode, each of RGB dots are transferred in synchronization with DOTCLK signals. In other words, one pixel data needs to take three DOTCLKs to transfer.

In 6-bit RGB interface mode, the cycles of VSYNC, HSYNC, ENABLE, DOTCLK signals must be set correctly so that the data transfer is completed in units of pixels.

When switching between the internal operation mode and the external display interface operation mode, follow the sequences below in setting instruction.

In RGB interface mode, the front porch period continues until the next VSYNC input is detected after drawing one frame.

In RGB interface mode, a RAM address is set in the address counter every frame on the falling edge of VSYNC.



8.10 VSYNC Interface

8.10.1 18-bit RGB Interface

The ST7789S incorporates VSYNC interface, which enables motion pictures to be displayed with only the conventional system interface and the frame synchronization signal (VSYNC). This interface requires minimal changes from the conventional system to display motion pictures. In this interface the internal display operation is synchronized with VSYNC. Data for display is written to RAM via the system interface with higher speed than for internal display operation. This method enables tearing-free display of motion pictures with the conventional interface.

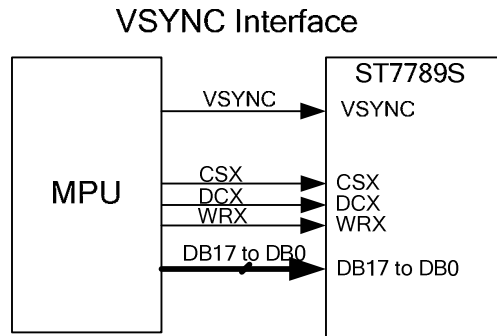


Figure 27 Data transmission through VSYNC interface

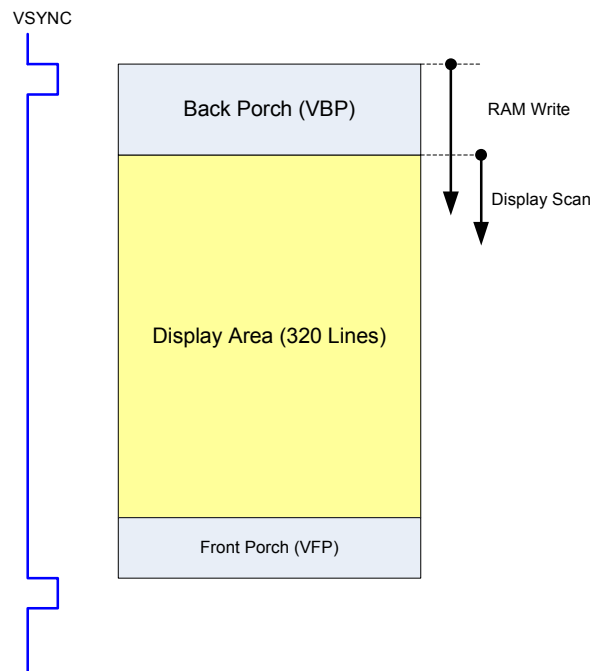


Figure 28 Operation through VSYNC Interface

Display operation can be achieved by using the internal clock generated by the internal oscillator and the VSYNC input. Because all the data for display is written to RAM, only the data to be rewritten is transferred. This method reduces the amount of data transferred during motion picture display operation.

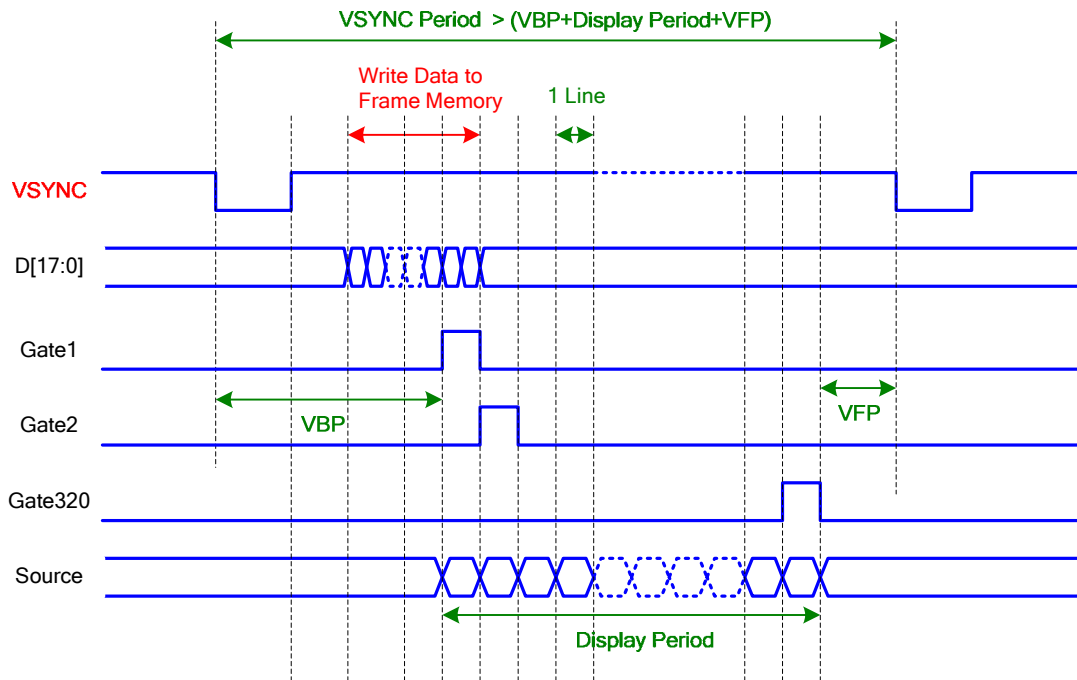


Figure 29 Timing Diagram of VSYNC Interface

VSYNC interface requires taking the minimum speed for RAM writing via the system interface and the frequency of the internal clock into consideration. RAM writing should be performed with higher speed than the result obtained from the calculation shown below. The internal memory writing address counter is reset by VSYNC. So, insure interval time between VSYNC falling and DRAM data writing.

Note:

1. VSYNC period should always be constant. If not, some degradation of display such as flicker may occur in LCD system.
2. Display data don't need to be written for every VSYNC period. For example, any system is working under 60Hz frame rate and 30-fps motion picture condition. So being written display data for every other frame would be enough.

8.10.2 VSYNC Interface Mode

Leading Mode

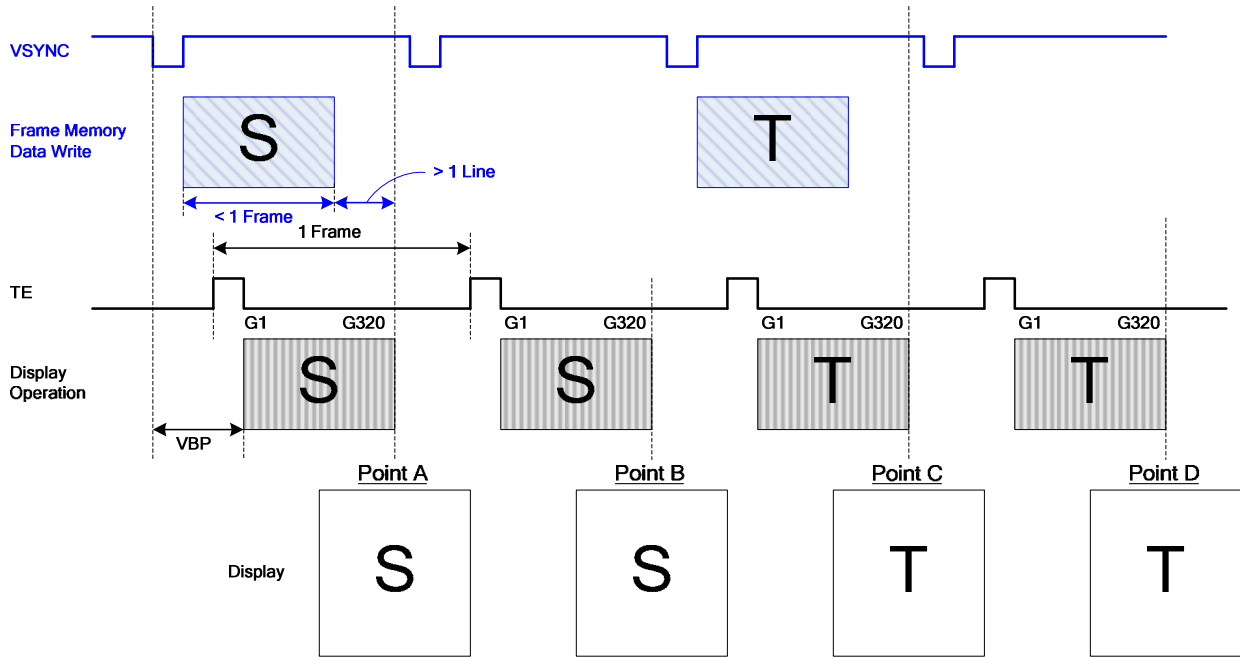


Figure 30 Operation for Leading Mode of VSYNC Interface

Lagging Mode

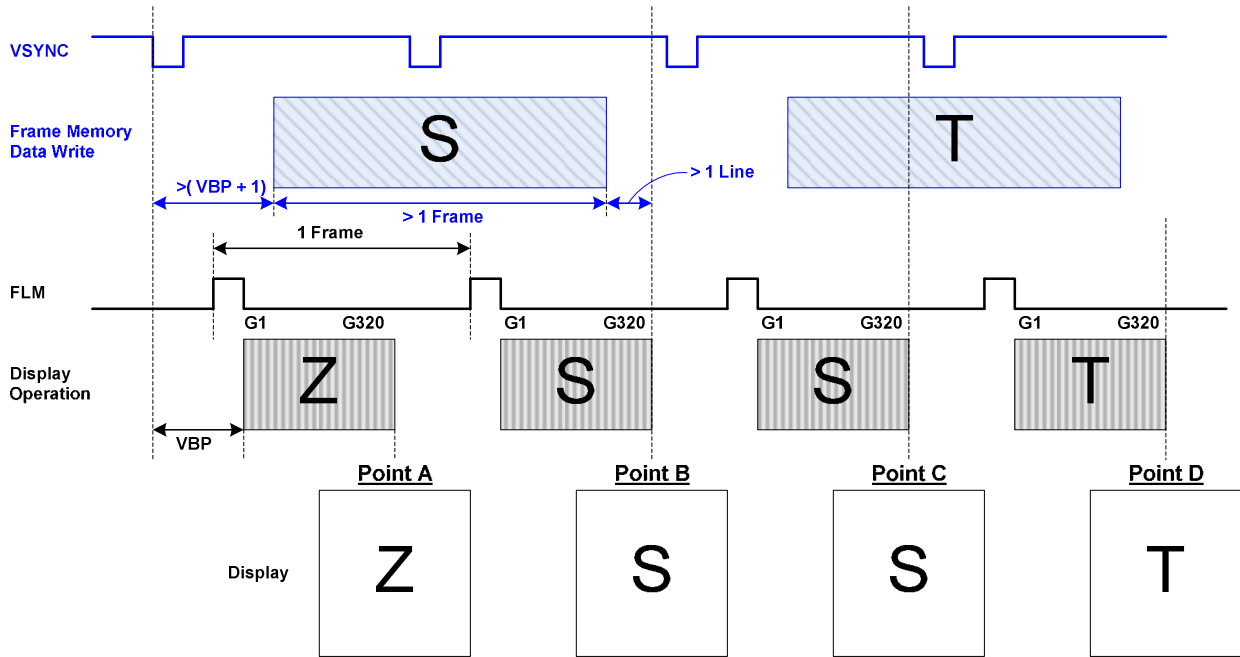


Figure 31 Operation for Lagging Mode of VSYNC Interface

**Notes:**

1. When RAM writing does not start immediately after the falling edge of VSYNC, the time between the falling edge of VSYNC and the RAM writing start timing must also be considered.

1. The minimum DRAM write speed must be satisfied and the frequency variation must be taken into consideration.

2. The display frame rate is determined by the VSYNC signal and the period of VSYNC must be longer than the scan period of an entire display.

3. When switching from the internal clock operation mode to the VSYNC interface mode or inversely, the switching starts from the next VSYNC cycle, i.e. after completing the display of the frame.

4. The partial display, vertical scroll, and interlaced scan functions are not available in VSYNC interface mode and set the AM bit to "0" to transfer display data.

### 8.11 Display Data RAM

#### 8.11.1 Configuration

The display module has an integrated 240x320x18-bit graphic type static RAM. This 1382400-bit memory allows storing on-chip a 240xRGBx320 image with an 18-bpp resolution (262K-color). There will be no abnormal visible effect on the display when there is a simultaneous Panel Read and Interface Read or Write to the same location of the Frame Memory.

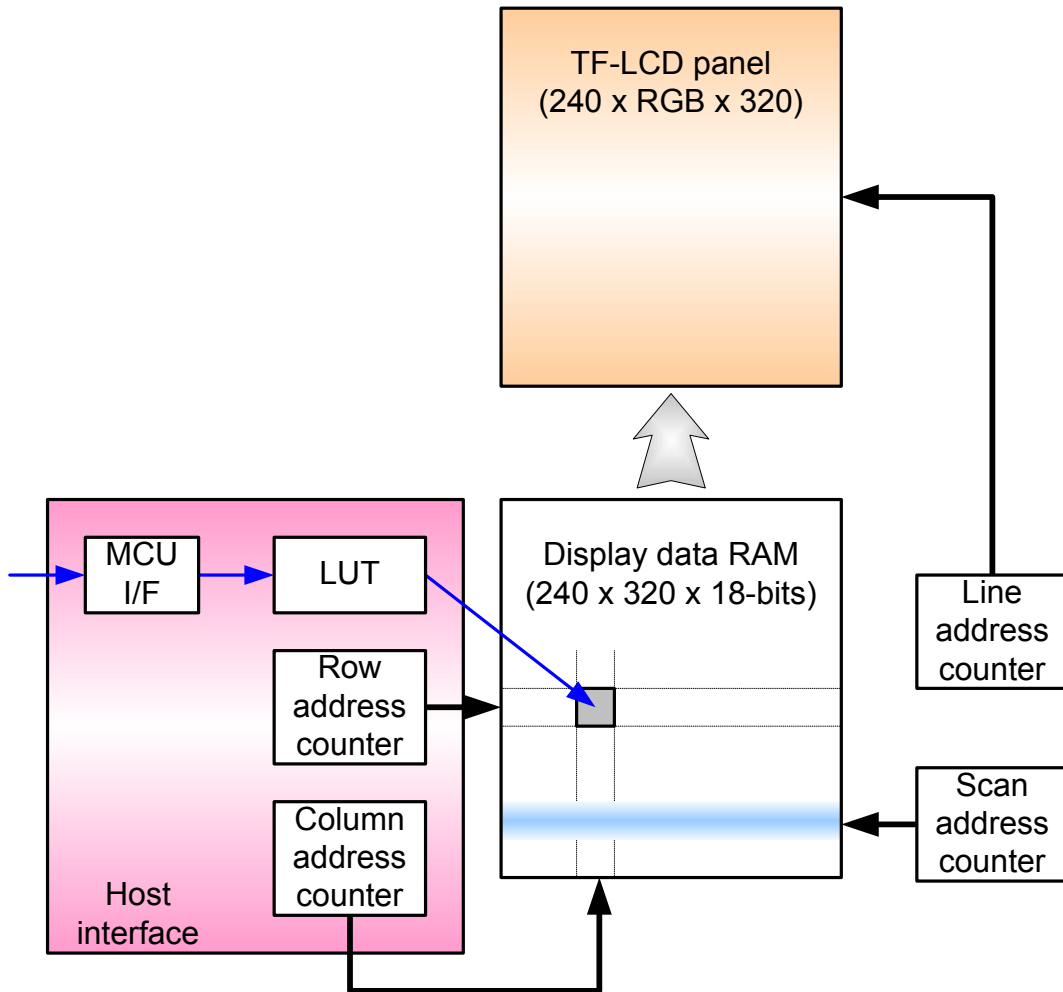


Figure 32 Display data RAM organization

8.11.2 Memory to display address mapping

Data control command			RGB alignment									
			Column									
(MADCTR) MX=0		0			1			239				
		→										
(MADCTR) MX=1		239			238			0				
		←										
Color		R	G	B	R	G	B		R	G	B	
Data		R	G	B	R	G	B		R	G	B	
Page												
(MADCTR) MY=0	(MADCTR) MY=1											
0	319											
1	318											
2	317											
3	316											
4	315											
5	314											
6	313											
7	312											
:	:											
312	7											
313	6											
314	5											
315	4											
316	3											
317	2											
318	1											
319	0											
Source output		0	1	2	3	4	5		717	718	719	

**8.12 Address Control**

The address counter sets the addresses of the display data RAM for writing and reading.

Data is written pixel-wise into the RAM matrix of DRIVER. The data for one pixel or two pixels is collected (RGB 6-6-6-bit), according to the data formats. As soon as this pixel-data information is complete the “Write access” is activated on the RAM. The locations of RAM are addressed by the address pointers. The address ranges are X=0 to X=239 (Efh) and Y=0 to Y=319 (13Fh). Addresses outside these ranges are not allowed. Before writing to the RAM, a window must be defined that will be written. The window is programmable via the command registers XS, YS designating the start address and XE, YE designating the end address.

For example the whole display contents will be written, the window is defined by the following values: XS=0 (0h) YS=0 (0h) and XE=239 (Efh), YE=319 (13Fh).

In vertical addressing mode (MV=1), the Y-address increments after each byte, after the last Y-address (Y=YE), Y wraps around to YS and X increments to address the next column. In horizontal addressing mode (V=0), the X-address increments after each byte, after the last X-address (X=XE), X wraps around to XS and Y increments to address the next row. After the every last address (X=XE and Y=YE) the address pointers wrap around to address (X=XS and Y=YS).

For flexibility in handling a wide variety of display architectures, the commands “CASET, RASET and MADCTL”, define flags MX and MY, which allows mirroring of the X-address and Y-address. All combinations of flags are allowed. Section 8.12 show the available combinations of writing to the display RAM. When MX, MY and MV will be changed the data must be rewritten to the display RAM.

For each image condition, the controls for the column and row counters apply as below

Condition	Column Counter	Row Counter
When RAMWR/RAMRD command is accepted	Return to “Start Column (XS)”	Return to “Start Row (YS)”
Complete Pixel Read / Write action	Increment by 1	No change
The Column counter value is larger than “End Column (XE)”	Return to “Start Column (XS)”	Increment by 1
The Column counter value is larger than “End Column (XE)” and the Row counter value is larger than “End Row (YE)”	Return to “Start Column (XS)”	Return to “Start Row (YS)”

Display Data Direction	MADCTR Parameter			Image in the Host (MPU)	Image in the Driver (DDRAM)
	MV	MX	MY		
Normal	0	0	0		
Y-Mirror	0	0	1		
X-Mirror	0	1	0		
X-Mirror Y-Mirror	0	1	1		
X-Y Exchange	1	0	0		
X-Y Exchange Y-Mirror	1	0	1		
X-Y Exchange X-Mirror	1	1	0		
X-Y Exchange X-Mirror Y-Mirror	1	1	1		

Figure 33 Display data RAM organization

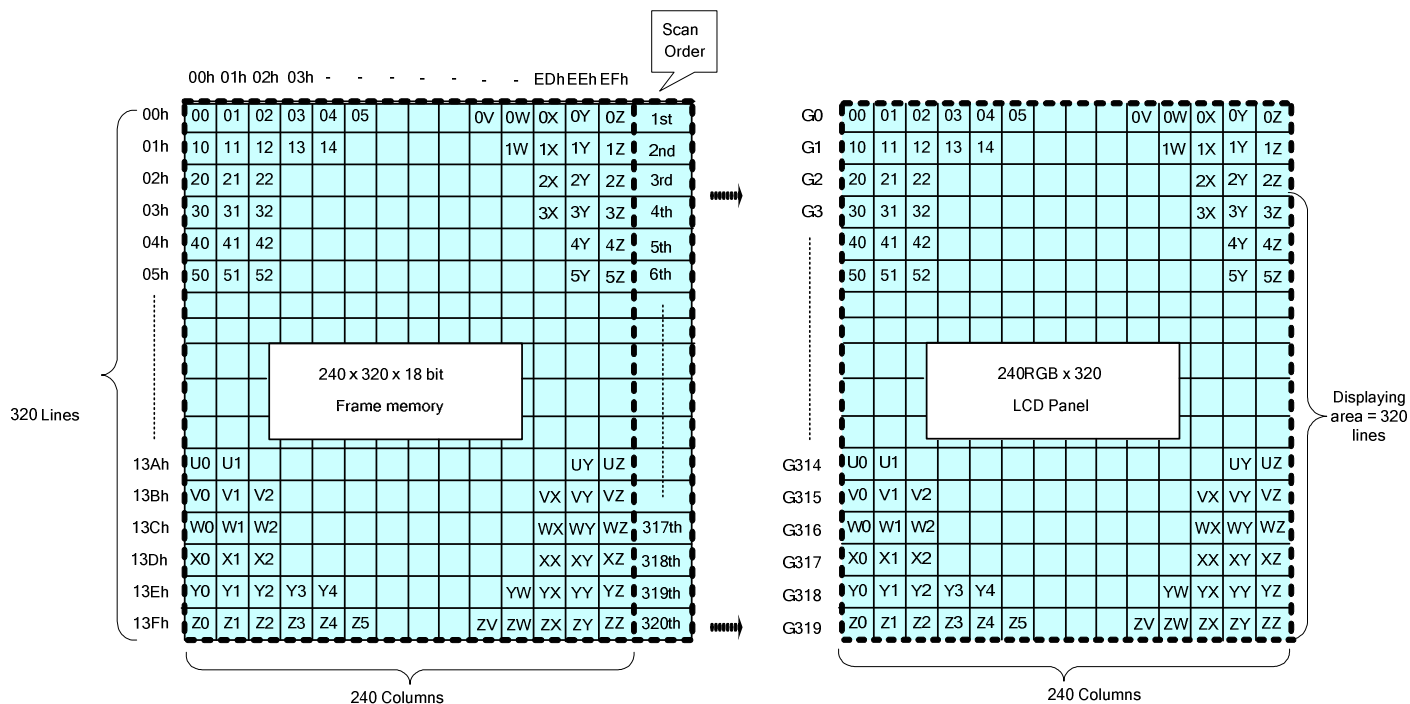


### 8.13 Normal Display On or Partial Mode On, Vertical Scroll Off

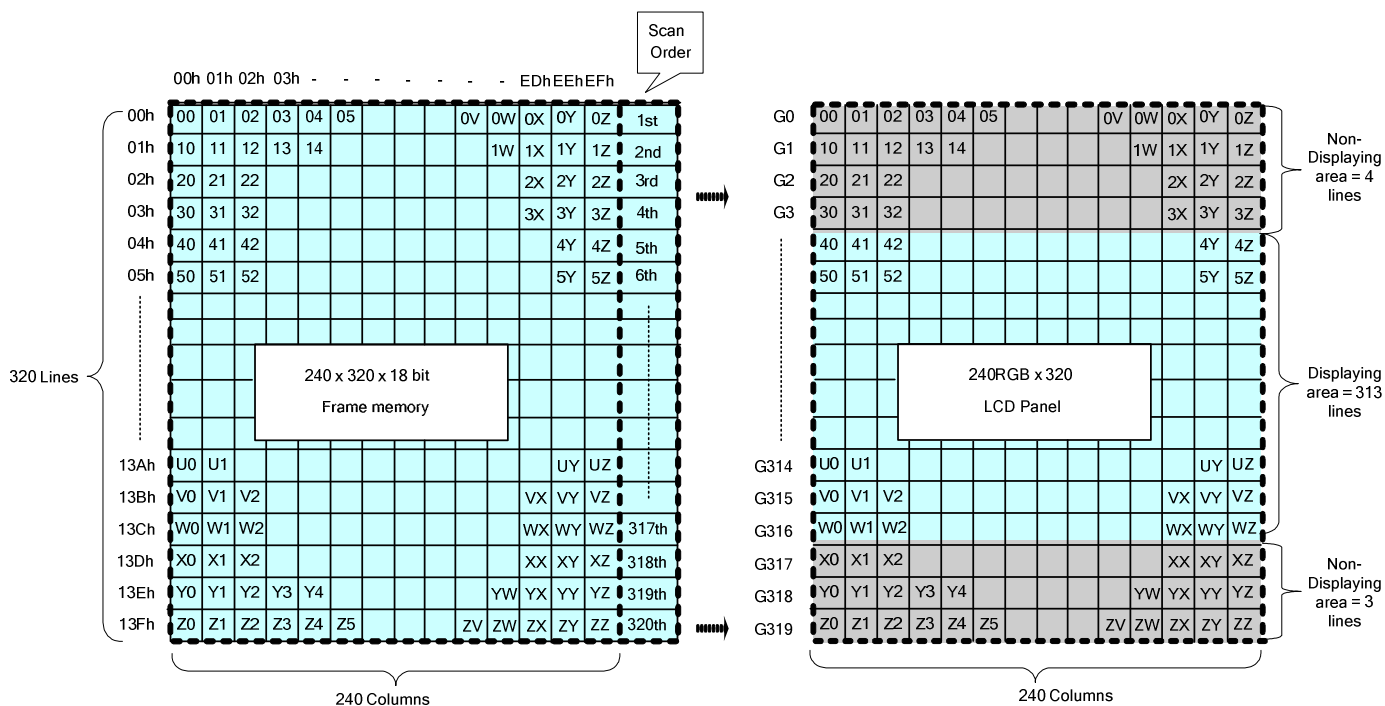
In this mode, contents of the frame memory within an area where column address is 00h to 83h and row address is 00h to 83h is displayed.

To display a dot on leftmost top corner, store the dot data at (column address, row address) = (0,0).

Example1) Normal Display On



Example2) Partial Display On: PSL[15:0] = 0004h, PEL[15:0] = 013Ch, MADCTR (ML)=0



### 8.14 Vertical Scroll Mode

#### 8.14.1 Rolling scroll

There is just one types of vertical scrolling, which are determined by the commands “Vertical Scrolling Definition” (33h) and “Vertical Scrolling Start Address” (37h).

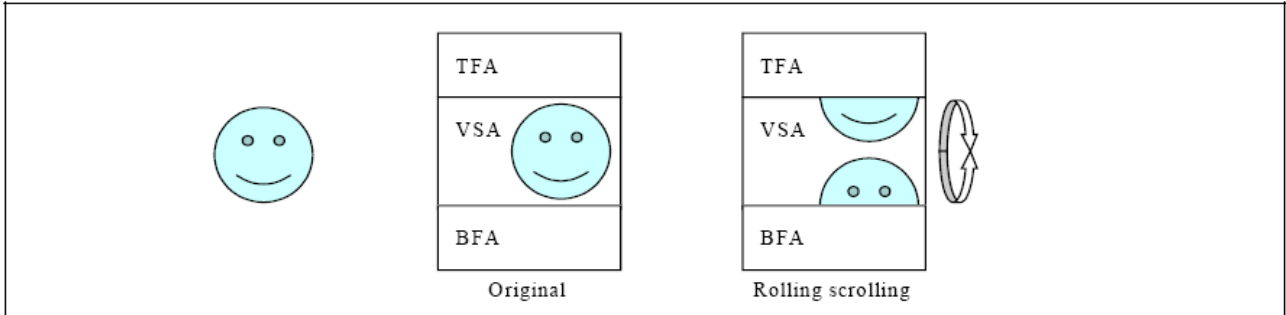
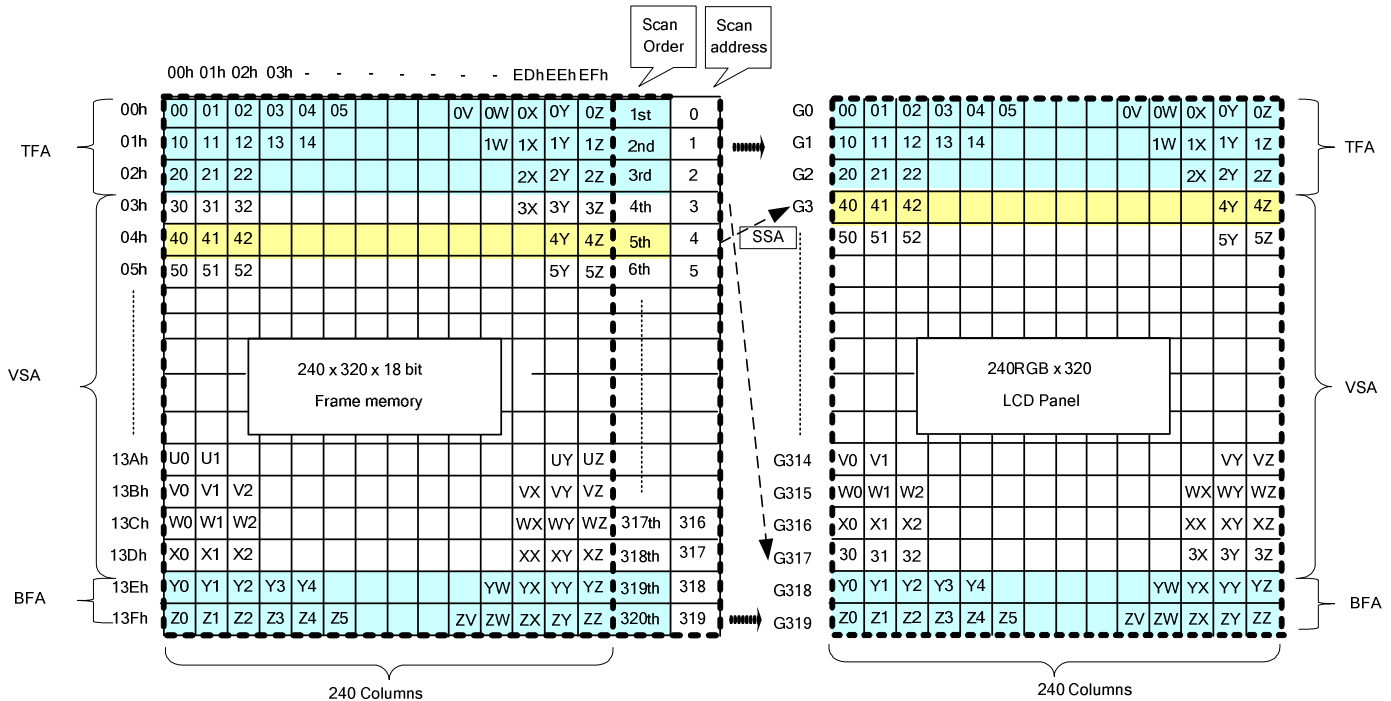


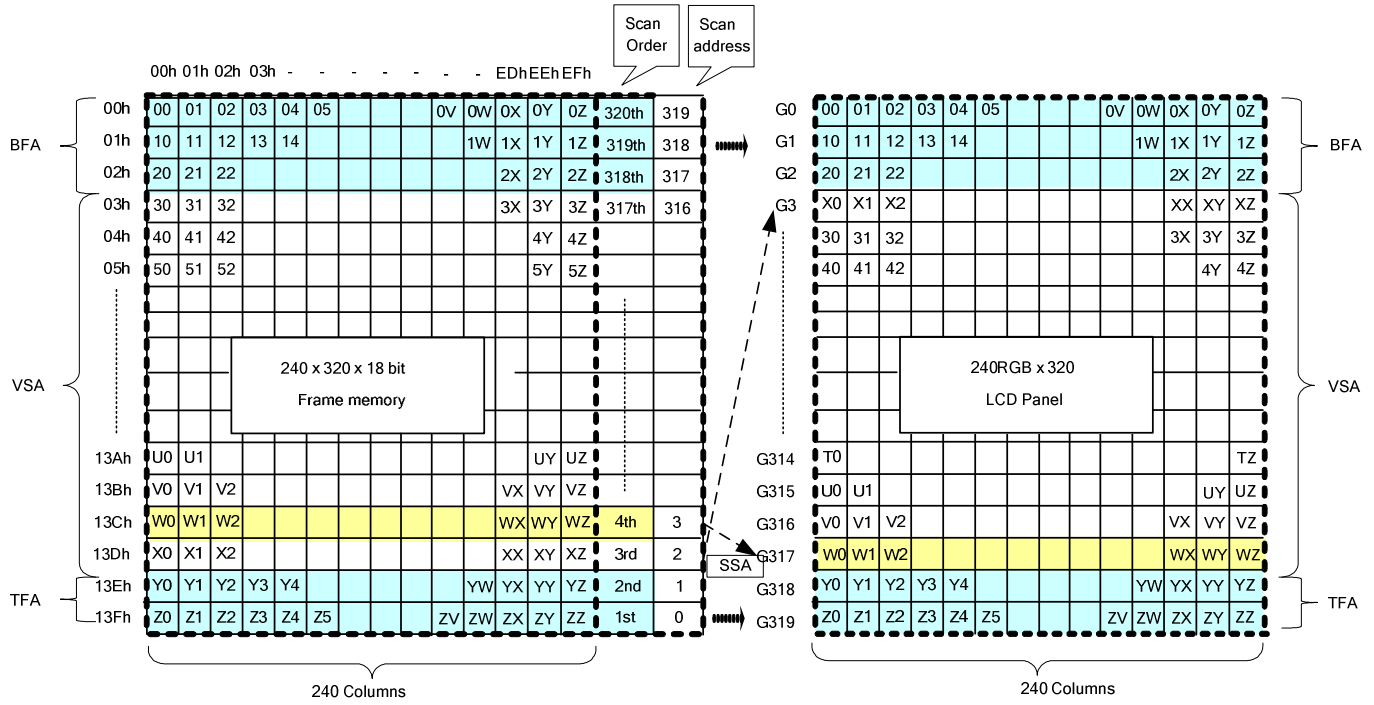
Figure 34 Rolling Scroll Definition

When Vertical Scrolling Definition Parameters (TFA+VSA+BFA) =320. In this case, ‘rolling’ scrolling is applied as shown below. All the memory contents will be used.

Example1) Panel size=240 x 320, TFA =3, VSA=315, BFA=2, SSA=4, MADCTR ML=0: Rolling Scroll



Example2) Panel size=132 x 132, TFA =2, VSA=315, BFA=3, SSA=4, MADCTR ML=1: Rolling Scroll (TFA and BFA are exchanged)



8.14.2 Vertical Scroll Example

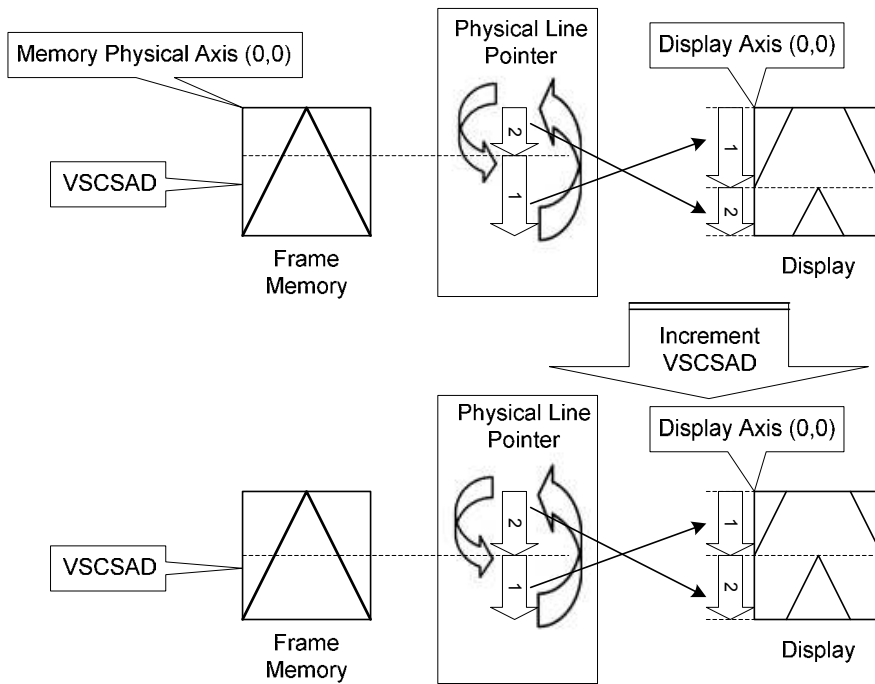
There are 2 types of vertical scrolling, which are determined by the commands “Vertical Scrolling Definition” (33h) and “Vertical Scrolling Start Address” (37h).

Case 1: TFA + VSA + BFA < 320

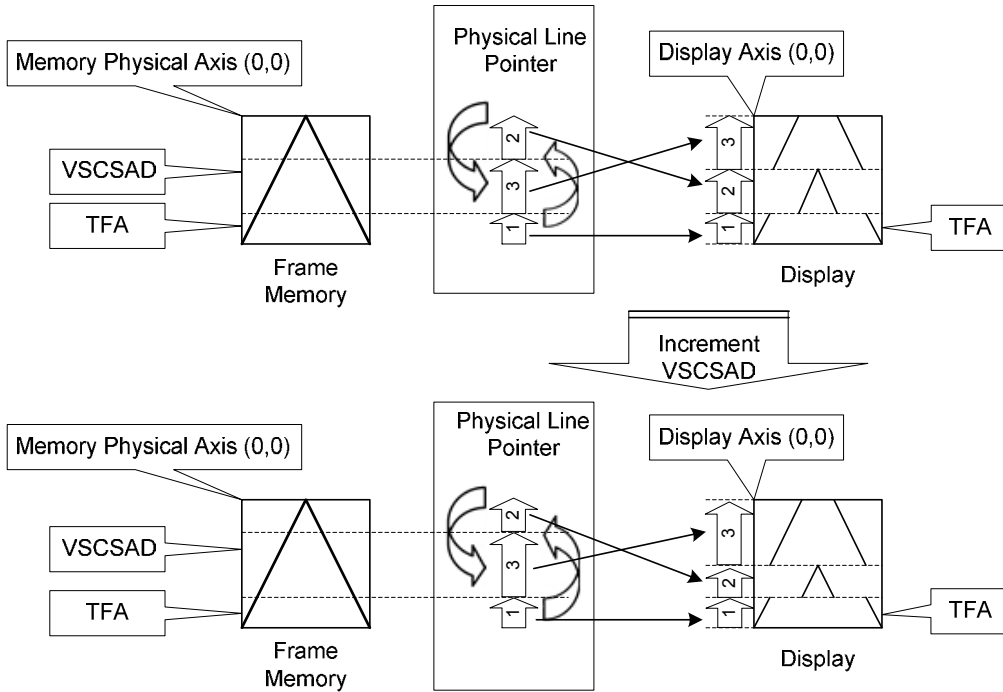
N/A. Do not set TFA + VSA + BFA < 320. In that case, unexpected picture will be shown.

Case 2: TFA + VSA + BFA = 320 (Rolling Scrolling)

Example1) When MADCTR parameter ML="0", TFA=0, VSA=320, BFA=0 and VSCSAD=40.



Example2) When MADCTR parameter ML="1", TFA=10, VSA=310, BFA=0 and VSCSAD=30.

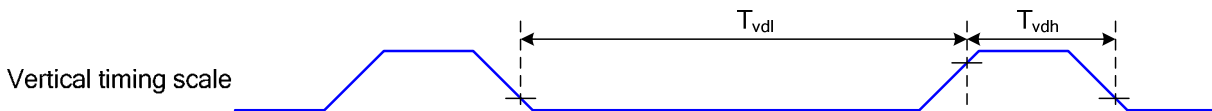


### 8.15 Tearing Effect

The Tearing Effect output line supplies to the MPU a Panel synchronization signal. This signal can be enabled or disabled by the Tearing Effect Line Off & On commands. The mode of the Tearing Effect signal is defined by the parameter of the Tearing Effect Line On command. The signal can be used by the MPU to synchronize Frame Memory Writing when displaying video images.

#### 8.15.1 Tearing effect line modes

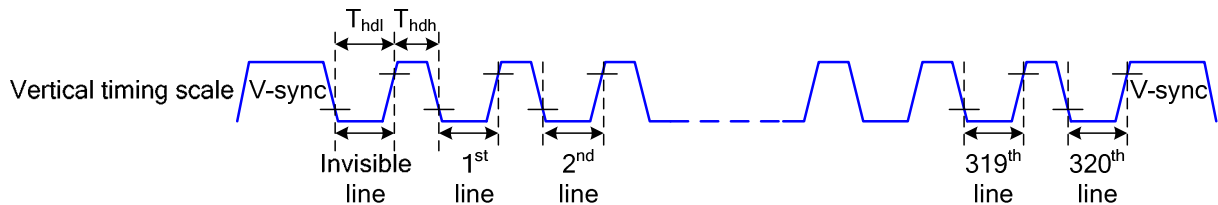
Mode 1, the Tearing Effect Output signal consists of V-Blanking Information only:



tvdh= The LCD display is not updated from the Frame Memory

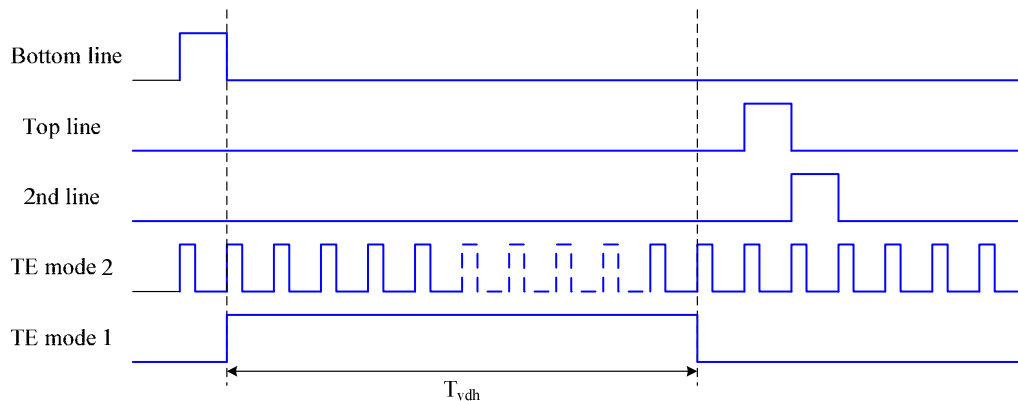
tvdl= The LCD display is updated from the Frame Memory (except Invisible Line – see above)

Mode 2, the Tearing Effect Output signal consists of V-Blanking and H-Blanking Information, there is one V-sync and 320 H-sync pulses per field.



thdh= The LCD display is not updated from the Frame Memory

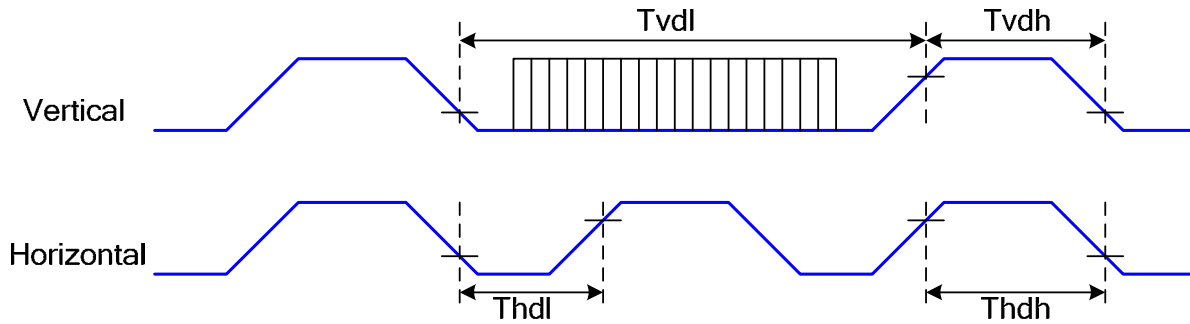
thdl= The LCD display is updated from the Frame Memory (except Invisible Line – see above)



Note: During Sleep In Mode, the Tearing Output Pin is active Low.

8.15.2 Tearign effect line timings

The Tearing Effect signal is described below:



Symbol	Parameter	min	max	unit	description
tvdl	Vertical Timing Low Duration	13	-	ms	
tvdh	Vertical Timing High Duration	1000	-	μs	
thdl	Horizontal Timing Low Duration	33	-	μs	
thdh	Horizontal Timing High Duration	25	500	μs	

Table 16 AC characteristics of Tearing Effect Signal Idle Mode Off (Frame Rate = 60 Hz, Ta=25°C)

Note: The timings in Table 15 apply when MADCTL ML=0 and ML=1

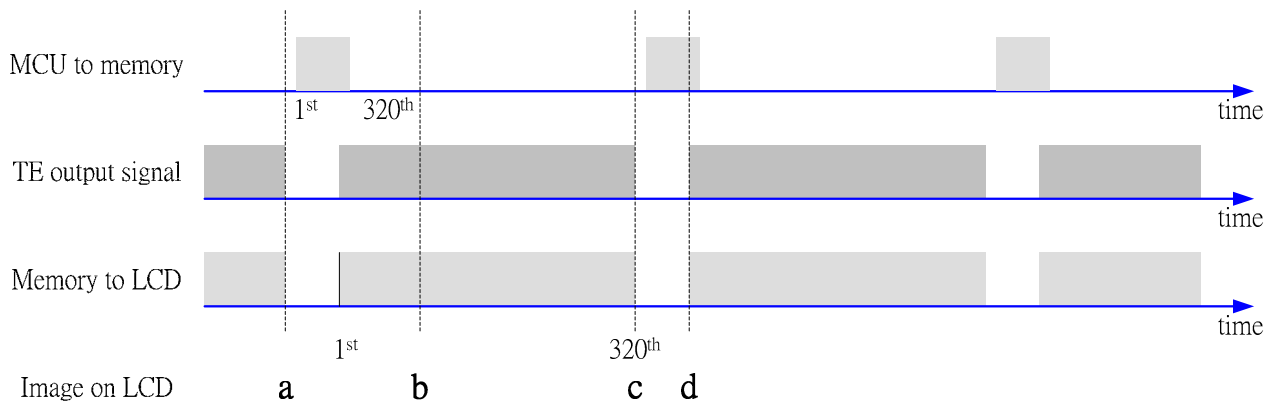
The signal's rise and fall times (tr, tr) are stipulated to be equal to or less than 15ns.



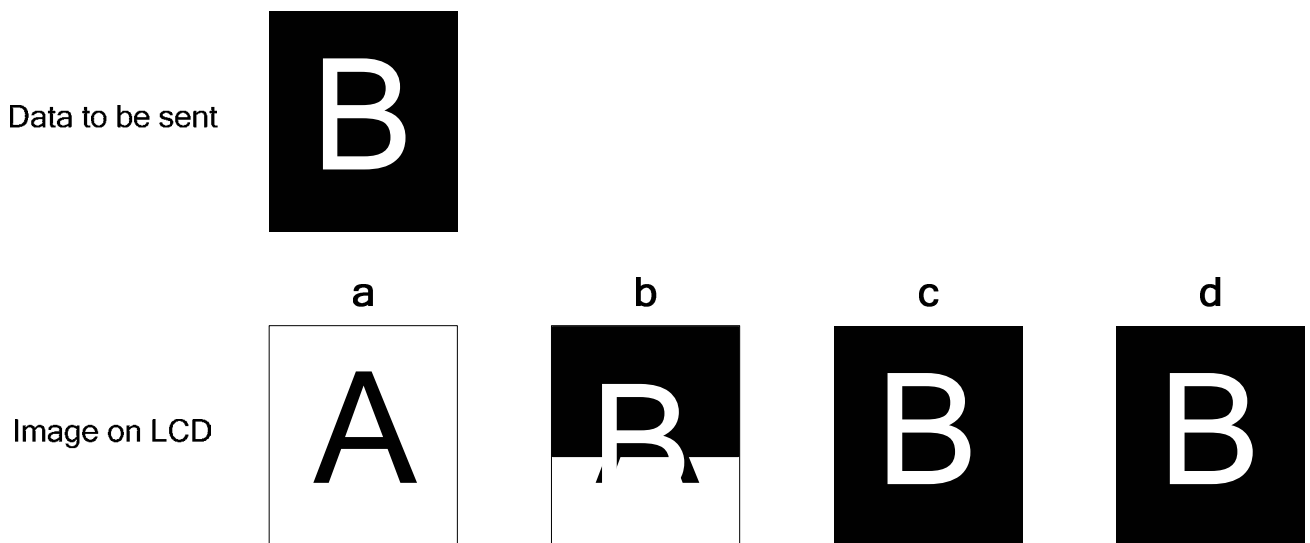
The Tearing Effect Output Line is fed back to the MPU and should be used as shown below to avoid Tearing Effect:



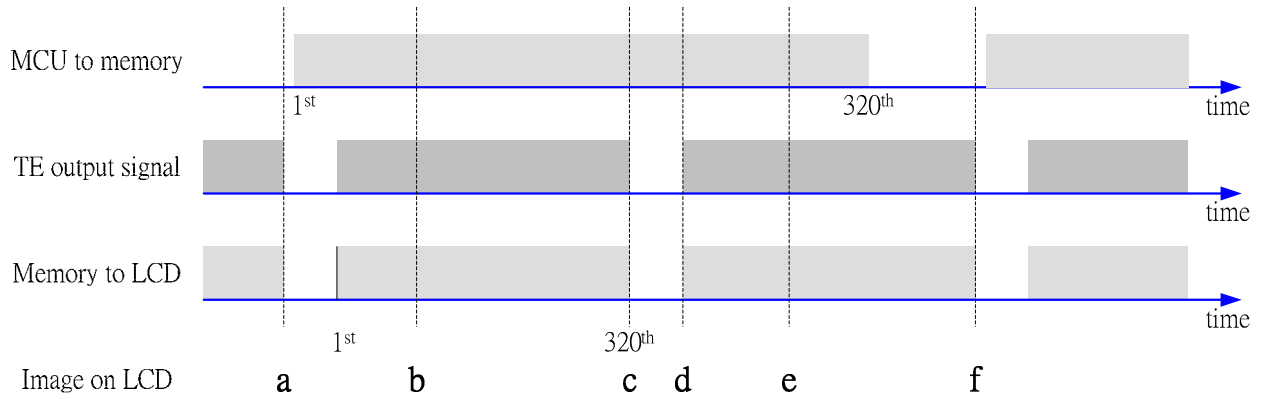
8.15.3 Example 1: MPU Write is faster than panel read



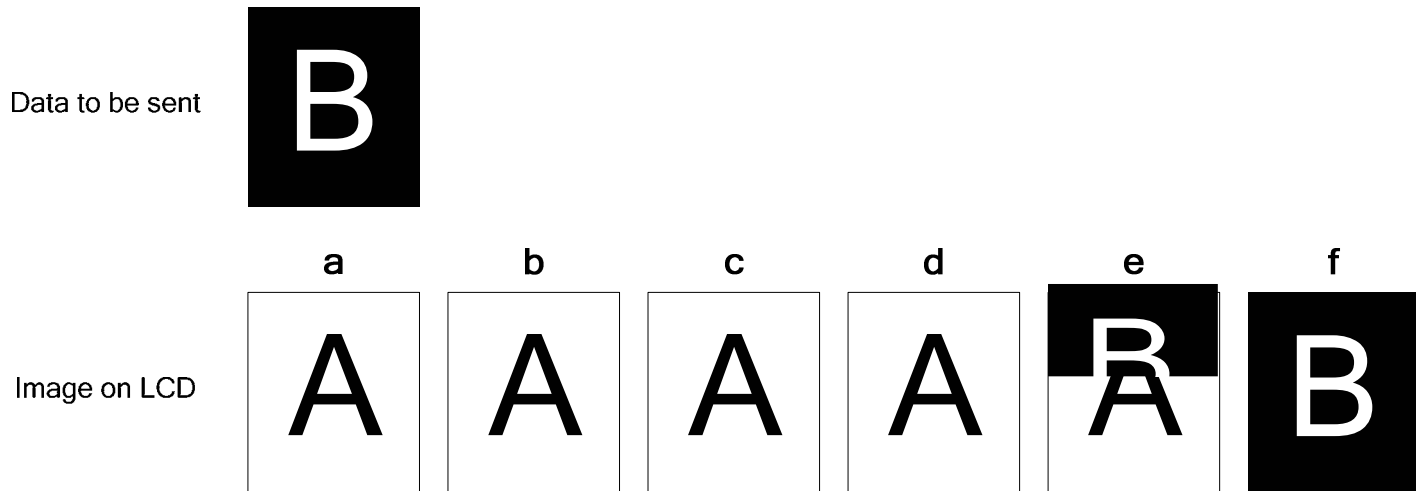
Data write to Frame Memory is now synchronized to the Panel Scan. It should be written during the vertical sync pulse of the Tearing Effect Output Line. This ensures that data is always written ahead of the panel scan and each Panel Frame refresh has a complete new image:



8.15.4 Example 2: MPU write is slower than panel read



The MPU to Frame Memory write begins just after Panel Read has commenced i.e. after one horizontal sync pulse of the Tearing Effect Output Line. This allows time for the image to download behind the Panel Read pointer and finishing download during the subsequent Frame before the Read Pointer “catches” the MPU to Frame memory write position.



### 8.16 Power ON/OFF Sequence

VDD must be powered on before the VDDI.

VDDI must be powered off before the VDD.

During power off, if LCD is in the Sleep Out mode, VDD and VDDI must be powered down minimum 120msec after RESX has been released.

During power off, if LCD is in the Sleep In mode, VDDI or VDD can be powered down minimum 0msec after RESX has been released.

CSX can be applied at any timing or can be permanently grounded. RESX has priority over CSX.

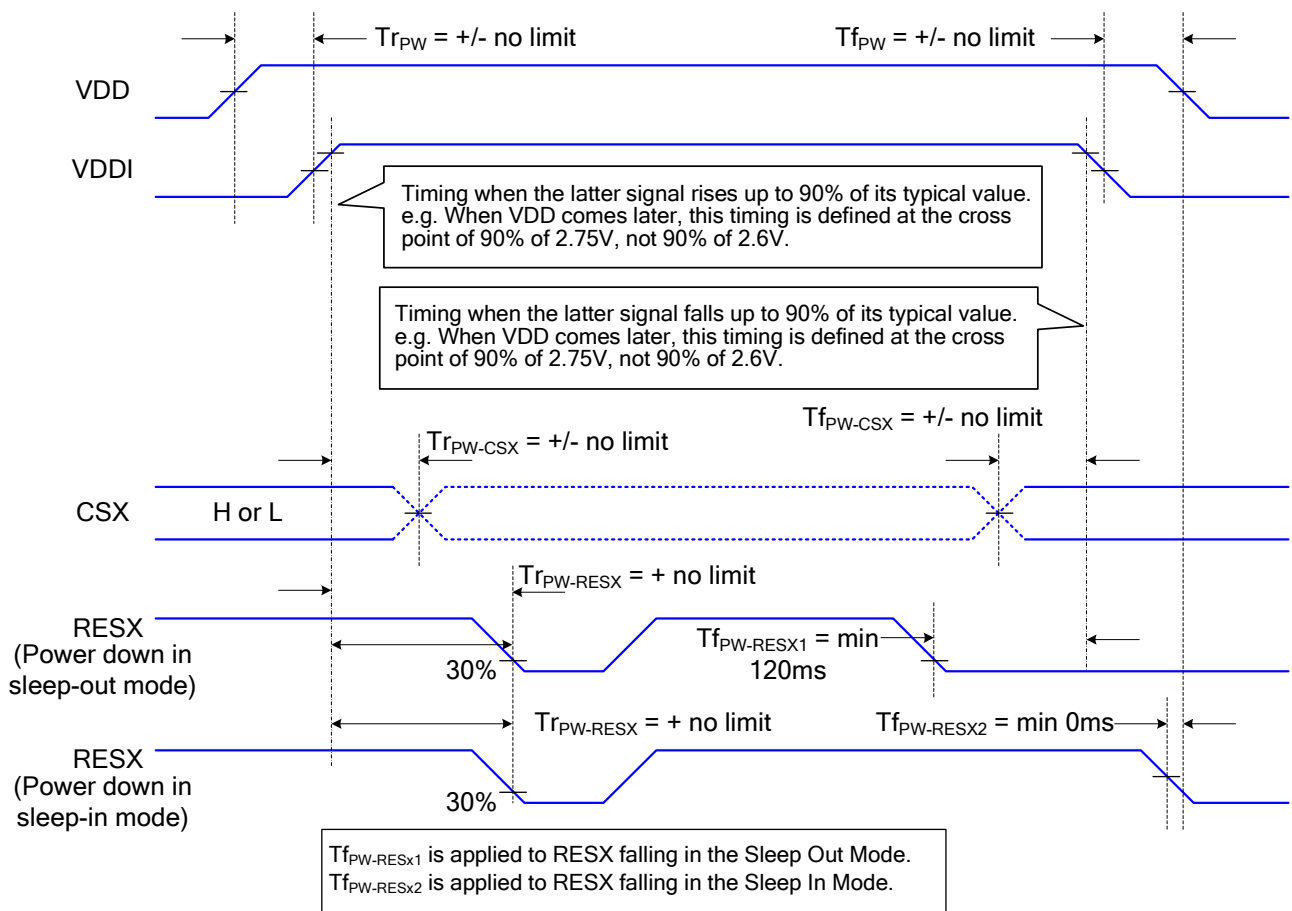
Note 1: There will be no damage to the display module if the power sequences are not met.

Note 2: There will be no abnormal visible effects on the display panel during the Power On/Off Sequences.

Note 3: There will be no abnormal visible effects on the display between end of Power On Sequence and before receiving Sleep Out command. Also between receiving Sleep In command and Power Off Sequence.

Note 4: If RESX line is not held stable by host during Power On Sequence as defined in the sequence below, then it will be necessary to apply a Hardware Reset (RESX) after Host Power On Sequence is complete to ensure correct operation. Otherwise function is not guaranteed.

The power on/off sequence is illustrated below



**8.16.1 Uncontrolled Power Off**

The uncontrolled power-off means a situation which removed a battery without the controlled power off sequence. It will neither damage the module or the host interface.

If uncontrolled power-off happened, the display will go blank and there will not any visible effect on the display (blank display) and remains blank until "Power On Sequence" powers it up.

## 8.17 Power Level Definition

### 8.17.1 Power Level

6 level modes are defined they are in order of Maximum Power consumption to Minimum Power Consumption

1. Normal Mode On (full display), Idle Mode Off, Sleep Out.

In this mode, the display is able to show maximum 262,144 colors.

2. Partial Mode On, Idle Mode Off, Sleep Out.

In this mode part of the display is used with maximum 262,144 colors.

3. Normal Mode On (full display), Idle Mode On, Sleep Out.

In this mode, the full display area is used but with 8 colors.

4. Partial Mode On, Idle Mode On, Sleep Out.

In this mode, part of the display is used but with 8 colors.

5. Sleep In Mode

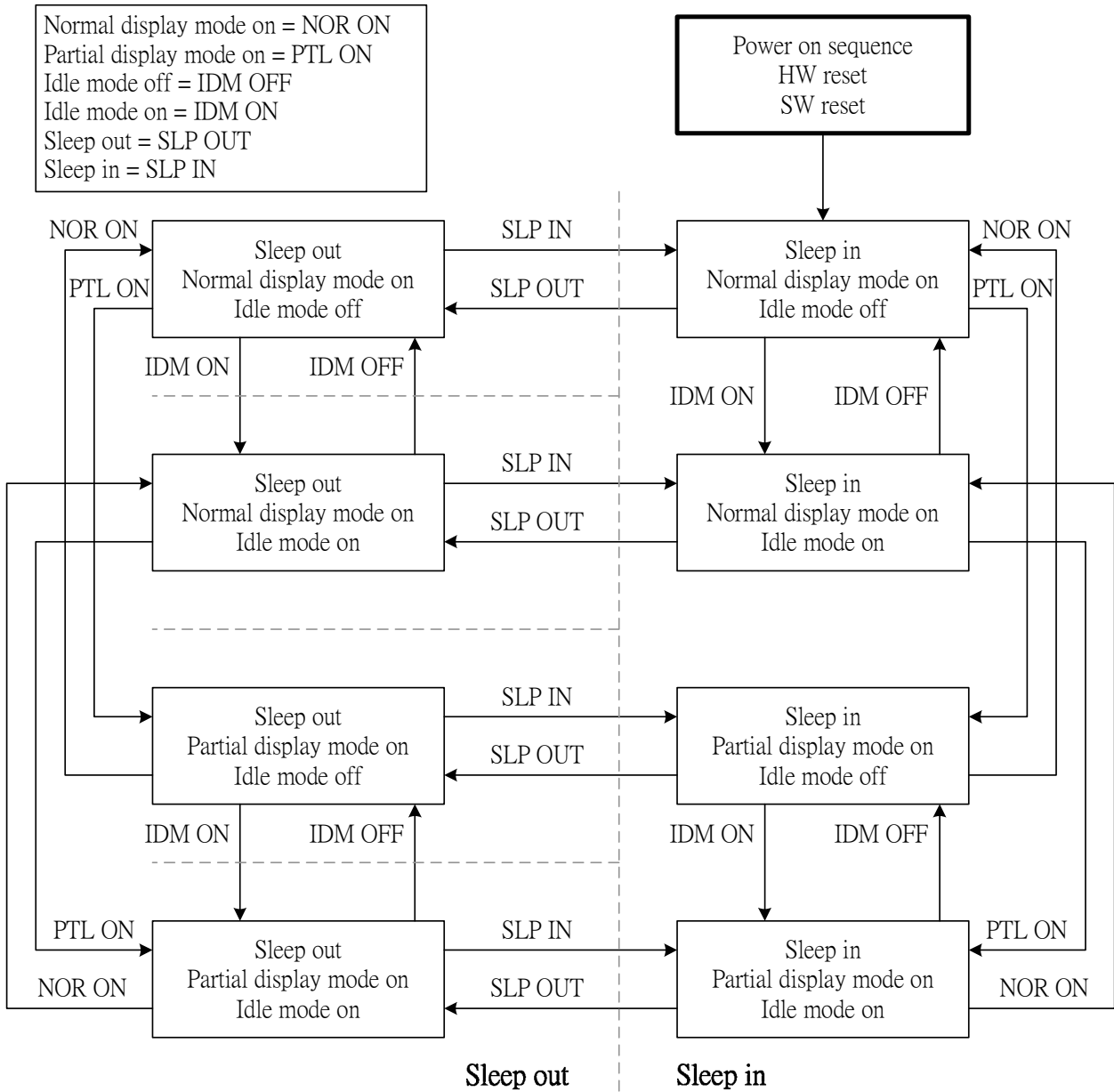
In this mode, the DC: DC converter, internal oscillator and panel driver circuit are stopped. Only the MCU interface and memory works with VDDI power supply. Contents of the memory are safe.

#### Figure 41 Power Off Mode

In this mode, both VDD and VDDI are removed.

*Note: Transition between modes 1-5 is controllable by MCU commands. Mode 6 is entered only when both Power supplies are removed.*

8.18 Power Flow Chart



### 8.19 Gamma Correction

ST7789S incorporate the gamma correction function to display 262,244 colors for the LCD panel. The gamma correction is performed with 3 groups of registers, which are gradient adjustment, contrast adjustment and fine- adjustment registers for positive and negative polarities, and RGB can be adjusted individually.

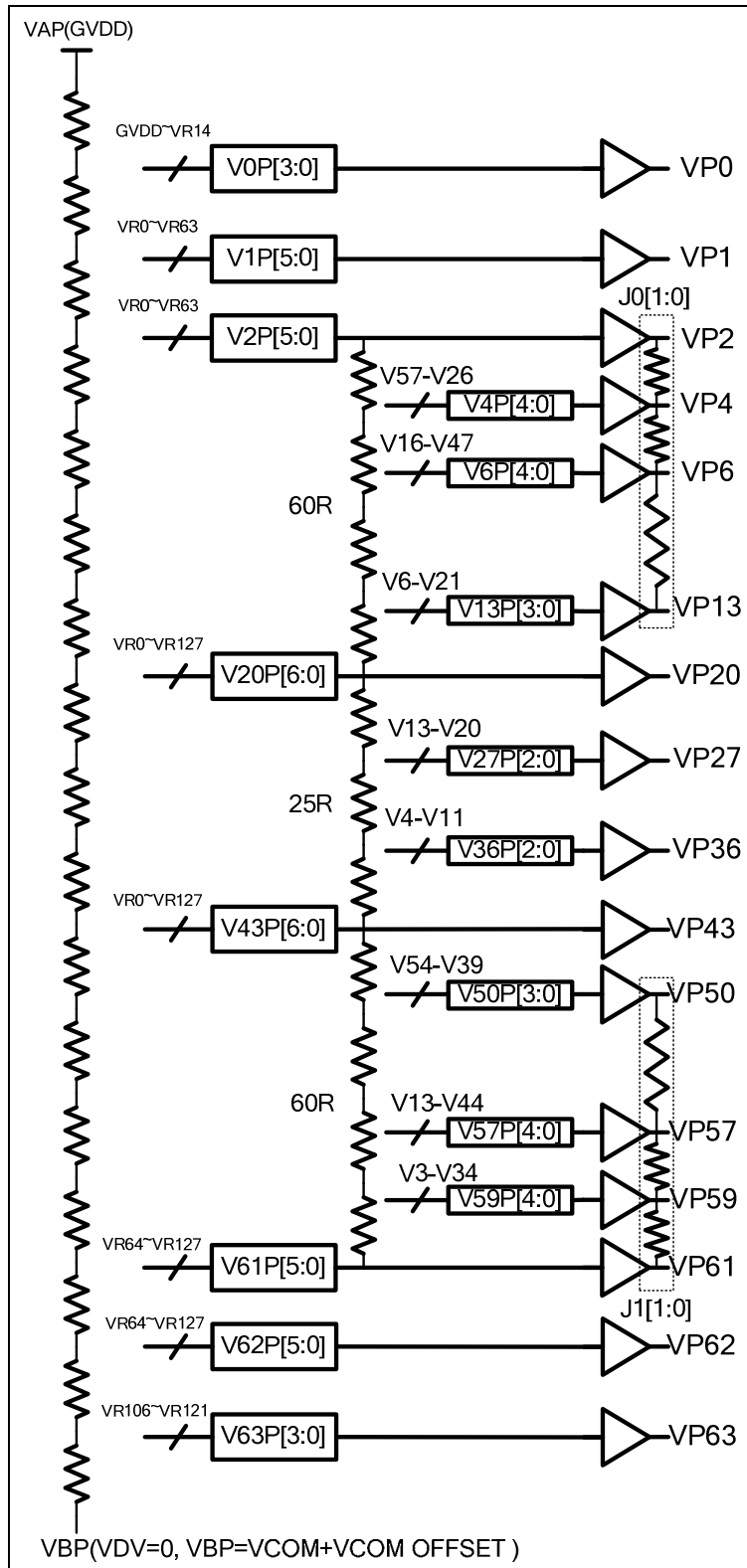


Figure 35 Gray scale Voltage Generation (Positive)

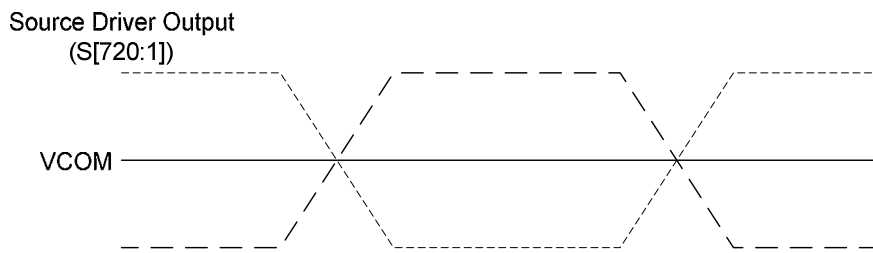


Figure 36 Relationship between Source Output and VCOM

Percentage adjustment:

J0P[1:0], J1P[1:0], J0N[1:0], J1N[1:0] these register are used to adjust the voltage level of interpolation point.

The following table is the detail description.

**J0P[1:0]/J0N[1:0]:**

	00h	01h	02h	03h
VP3/VN3	50%	56%	50%	60%
VP5/VN5	50%	44%	50%	42%
VP7/VN7	86%	71%	80%	66%
VP8/VN8	71%	57%	63%	49%
VP9/VN9	57%	40%	49%	34%
VP10/VN10	43%	29%	34%	23%
VP11/VN11	29%	17%	20%	14%
VP12/VN12	14%	6%	9%	6%

**J1P[1:0]/J1N[1:0]:**

	00h	01h	02h	03h
VP51/VN51	86%	86%	86%	89%
VP52/VN52	71%	71%	77%	80%
VP53/VN53	57%	60%	63%	69%
VP54/VN54	43%	46%	46%	51%
VP55/VN55	29%	34%	31%	37%
VP56/VN56	14%	17%	14%	20%
VP58/VN58	50%	56%	47%	47%
VP60/VN60	50%	50%	50%	53%

Table 17 voltage level percentage adjustment description



Source voltage of positive gamma level

Gamma level	Related Register	Formula
VP0	V0P[3:0]	$(VAP-VBP) \cdot (129R-V0P[3:0]R) / 129R + VBP$
VP1	V1P[5:0]	$(VAP-VBP) \cdot (128R-V1P[5:0]R) / 129R + VBP$
VP2	V2P[5:0]	$(VAP-VBP) \cdot (128R-V2P[5:0]R) / 129R + VBP$
VP3	J0P[1:0]	$(VP2-VP4) \cdot J0P[1:0] + VP4$
VP4	V4P[4:0]	$(VP2-VP20) \cdot (57R-V4P[4:0]) / 60R + VP20$
VP5	J0P[1:0]	$(VP4-VP6) \cdot J0P[1:0] + VP6$
VP6	V6P[4:0]	$(VP2-VP20) \cdot (47R-V6P[4:0]) / 60R + VP20$
VP7	J0P[1:0]	$(VP6-VP13) \cdot J0P[1:0] + VP13$
VP8	J0P[1:0]	$(VP6-VP13) \cdot J0P[1:0] + VP13$
VP9	J0P[1:0]	$(VP6-VP13) \cdot J0P[1:0] + VP13$
VP10	J0P[1:0]	$(VP6-VP13) \cdot J0P[1:0] + VP13$
VP11	J0P[1:0]	$(VP6-VP13) \cdot J0P[1:0] + VP13$
VP12	J0P[1:0]	$(VP6-VP13) \cdot J0P[1:0] + VP13$
VP13	V13P[3:0]	$(VP2-VP20) \cdot (21R-V13P[3:0]) / 60R + VP20$
VP14	--	$(VP13-VP20) / (20-13) \cdot (20-14) + VP20$
VP15	--	$(VP13-VP20) / (20-13) \cdot (20-15) + VP20$
VP16	--	$(VP13-VP20) / (20-13) \cdot (20-16) + VP20$
VP17	--	$(VP13-VP20) / (20-13) \cdot (20-17) + VP20$
VP18	--	$(VP13-VP20) / (20-13) \cdot (20-18) + VP20$
VP19	--	$(VP13-VP20) / (20-13) \cdot (20-19) + VP20$
VP20	V20P[6:0]	$(VAP-VBP) \cdot (128R-V20P[6:0]R) / 129R + VBP$
VP21	--	$(VP20-VP27) / (27-20) \cdot (27-21) + VP27$
VP22	--	$(VP20-VP27) / (27-20) \cdot (27-22) + VP27$
VP23	--	$(VP20-VP27) / (27-20) \cdot (27-23) + VP27$
VP24	--	$(VP20-VP27) / (27-20) \cdot (27-24) + VP27$
VP25	--	$(VP20-VP27) / (27-20) \cdot (27-25) + VP27$
VP26	--	$(VP20-VP27) / (27-20) \cdot (27-26) + VP27$
VP27	V27P[2:0]	$(VP20-VP43) \cdot (20R-V27P[2:0]) / 25R + VP43$
VP28	--	$(VP27-VP36) / (36-27) \cdot (36-28) + VP36$
VP29	--	$(VP27-VP36) / (36-27) \cdot (36-29) + VP36$
VP30	--	$(VP27-VP36) / (36-27) \cdot (36-30) + VP36$
VP31	--	$(VP27-VP36) / (36-27) \cdot (36-31) + VP36$
VP32	--	$(VP27-VP36) / (36-27) \cdot (36-32) + VP36$
VP33	--	$(VP27-VP36) / (36-27) \cdot (36-33) + VP36$
VP34	--	$(VP27-VP36) / (36-27) \cdot (36-34) + VP36$
VP35	--	$(VP27-VP36) / (36-27) \cdot (36-35) + VP36$
VP36	V36P[2:0]	$(VP20-VP43) \cdot (11R-V36P[2:0]) / 25R + VP43$
VP37	--	$(VP36-VP43) / (43-36) \cdot (43-37) + VP43$
VP38	--	$(VP36-VP43) / (43-36) \cdot (43-38) + VP43$
VP39	--	$(VP36-VP43) / (43-36) \cdot (43-39) + VP43$
VP40	--	$(VP36-VP43) / (43-36) \cdot (43-40) + VP43$
VP41	--	$(VP36-VP43) / (43-36) \cdot (43-41) + VP43$
VP42	--	$(VP36-VP43) / (43-36) \cdot (43-42) + VP43$
VP43	V43P[6:0]	$(VAP-VBP) \cdot (128R-V43P[6:0]R) / 129R + VBP$
VP44	--	$(VP43-VP50) / (50-43) \cdot (50-44) + VP50$
VP45	--	$(VP43-VP50) / (50-43) \cdot (50-45) + VP50$
VP46	--	$(VP43-VP50) / (50-43) \cdot (50-46) + VP50$
VP47	--	$(VP43-VP50) / (50-43) \cdot (50-47) + VP50$
VP48	--	$(VP43-VP50) / (50-43) \cdot (50-48) + VP50$
VP49	--	$(VP43-VP50) / (50-43) \cdot (50-49) + VP50$
VP50	V50P[3:0]	$(VP43-VP61) \cdot (54R-V50P[3:0]) / 60R + VP61$
VP51	J1P[1:0]	$(V5P0-VP57) \cdot J1P[1:0] + VP57$

VP52	J1P[1:0]	(VP50-VP57)*J1P[1:0]+VP57
VP53	J1P[1:0]	(VP50-VP57)*J1P[1:0]+VP57
VP54	J1P[1:0]	(VP50-VP57)*J1P[1:0]+VP57
VP55	J1P[1:0]	(VP50-VP57)*J1P[1:0]+VP57
VP56	J1P[1:0]	(VP50-VP57)*J1P[1:0]+VP57
VP57	V57P[4:0]	(VP43-VP61)*(44R-V57P[4:0])/60R+VP61
VP58	J1P[1:0]	(VP57-VP59)*J1P[1:0]+VP59
VP59	V59P[4:0]	(VP43-VP61)*(34R-V59P[4:0])/60R+VP61
VP60	J1P[1:0]	(VP59-VP61)*J1P[1:0]+VP61
VP61	V61P[5:0]	(VAP-VBP)*(64R-V61P[5:0]R)/129R+VBP
VP62	V62P[5:0]	(VAP-VBP)*(64R-V62P[5:0]R)/129R+VBP
VP63	V63P[3:0]	(VAP-VBP)*(23R-V63P[3:0]R)/129R+VBP

Source voltage of negative gamma level

Gamma level	Related Register	Formula
VN0	V0N[3:0]	VBN-(VAN-VBN)*(129R-V0N[3:0]R)/129R
VN1	V1N[5:0]	VBN-(VAN-VBN)*(128R-V1N[5:0]R)/129R
VN2	V2N[5:0]	VBN-(VAN-VBN)*(128R-V2N[5:0]R)/129R
VN3	J0N[1:0]	(VN2-VN4)*J0N[1:0]+VN4
VN4	V4N[4:0]	(VN2-VN20)*(57R-V4N[4:0])/60R+VN20
VN5	J0N[1:0]	(VN4-VN6)*J0N[1:0]+VN6
VN6	V6N[4:0]	(VN2-VN20)*(47R-V6N[4:0])/60R+VN20
VN7	J0N[1:0]	(VN6-VN13)*J0N[1:0]+VN13
VN8	J0N[1:0]	(VN6-VN13)*J0N[1:0]+VN13
VN9	J0N[1:0]	(VN6-VN13)*J0N[1:0]+VN13
VN10	J0N[1:0]	(VN6-VN13)*J0N[1:0]+VN13
VN11	J0N[1:0]	(VN6-VN13)*J0N[1:0]+VN13
VN12	J0N[1:0]	(VN6-VN13)*J0N[1:0]+VN13
VN13	V13N[3:0]	(VN2-VN20)*(21R-V13N[3:0])/60R+VN20
VN14	--	(VN13-VN20)/(20-13)*(20-14)+VN20
VN15	--	(VN13-VN20)/(20-13)*(20-15)+VN20
VN16	--	(VN13-VN20)/(20-13)*(20-16)+VN20
VN17	--	(VN13-VN20)/(20-13)*(20-17)+VN20
VN18	--	(VN13-VN20)/(20-13)*(20-18)+VN20
VN19	--	(VN13-VN20)/(20-13)*(20-19)+VN20
VN20	V20N[6:0]	VBN-(VAN-VBN)*(128R-V20N[6:0]R)/129R
VN21	--	(VN20-VN27)/(27-20)*(27-21)+VN27
VN22	--	(VN20-VN27)/(27-20)*(27-22)+VN27
VN23	--	(VN20-VN27)/(27-20)*(27-23)+VN27
VN24	--	(VN20-VN27)/(27-20)*(27-24)+VN27
VN25	--	(VN20-VN27)/(27-20)*(27-25)+VN27
VN26	--	(VN20-VN27)/(27-20)*(27-26)+VN27
VN27	V27N[2:0]	(VN20-VN43)*(20R-V27N[2:0])/25R+VN43
VN28	--	(VN27-VN36)/(36-27)*(36-28)+VN36
VN29	--	(VN27-VN36)/(36-27)*(36-29)+VN36
VN30	--	(VN27-VN36)/(36-27)*(36-30)+VN36
VN31	--	(VN27-VN36)/(36-27)*(36-31)+VN36
VN32	--	(VN27-VN36)/(36-27)*(36-32)+VN36
VN33	--	(VN27-VN36)/(36-27)*(36-33)+VN36
VN34	--	(VN27-VN36)/(36-27)*(36-34)+VN36
VN35	--	(VN27-VN36)/(36-27)*(36-35)+VN36
VN36	V36N[2:0]	(VN20-VN43)*(11R-V36N[2:0])/25R+VN43
VN37	--	(VN36-VN43)/(43-36)*(43-37)+VN43
VN38	--	(VN36-VN43)/(43-36)*(43-38)+VN43

VN39	--	(VN36-VN43)/(43-36)*(43-39)+VN43
VN40	--	(VN36-VN43)/(43-36)*(43-40)+VN43
VN41	--	(VN36-VN43)/(43-36)*(43-41)+VN43
VN42	--	(VN36-VN43)/(43-36)*(43-42)+VN43
VN43	V43N[6:0]	VBN-(VAN-VBN)*(128R-V43N[6:0]R)/129R
VN44	--	(VN43-VN50)/(50-43)*(50-44)+VN50
VN45	--	(VN43-VN50)/(50-43)*(50-45)+VN50
VN46	--	(VN43-VN50)/(50-43)*(50-46)+VN50
VN47	--	(VN43-VN50)/(50-43)*(50-47)+VN50
VN48	--	(VN43-VN50)/(50-43)*(50-48)+VN50
VN49	--	(VN43-VN50)/(50-43)*(50-49)+VN50
VN50	V50N[3:0]	(VN43-VN61)*(54R-V50N[3:0])/60R+VN61
VN51	J1N[1:0]	(V5N0-VN57)*J1N[1:0]+VN57
VN52	J1N[1:0]	(VN50-VN57)*J1N[1:0]+VN57
VN53	J1N[1:0]	(VN50-VN57)*J1N[1:0]+VN57
VN54	J1N[1:0]	(VN50-VN57)*J1N[1:0]+VN57
VN55	J1N[1:0]	(VN50-VN57)*J1N[1:0]+VN57
VN56	J1N[1:0]	(VN50-VN57)*J1N[1:0]+VN57
VN57	V57N[4:0]	(VN43-VN61)*(44R-V57N[4:0])/60R+VN61
VN58	J1N[1:0]	(VN57-VN59)*J1N[1:0]+VN59
VN59	V59N[4:0]	(VN43-VN61)*(34R-V59N[4:0])/60R+VN61
VN60	J1N[1:0]	(VN59-VN61)*J1N[1:0]+VN61
VN61	V61N[5:0]	VBN-(VAN-VBN)*(64R-V61N[5:0]R)/129R
VN62	V62N[5:0]	VBN-(VAN-VBN)*(64R-V62N[5:0]R)/129R
VN63	V63N[3:0]	VBN-(VAN-VBN)*(23R-V63N[3:0]R)/129R

8.20 Gray voltage generator for digital gamma correction

ST7789S digital gamma function can implement the RGB gamma correction independently. ST7789S utilizes look-up table of digital gamma to change ram data, and then display the changed data from source driver. The following diagram shows the data flow of digital gamma.

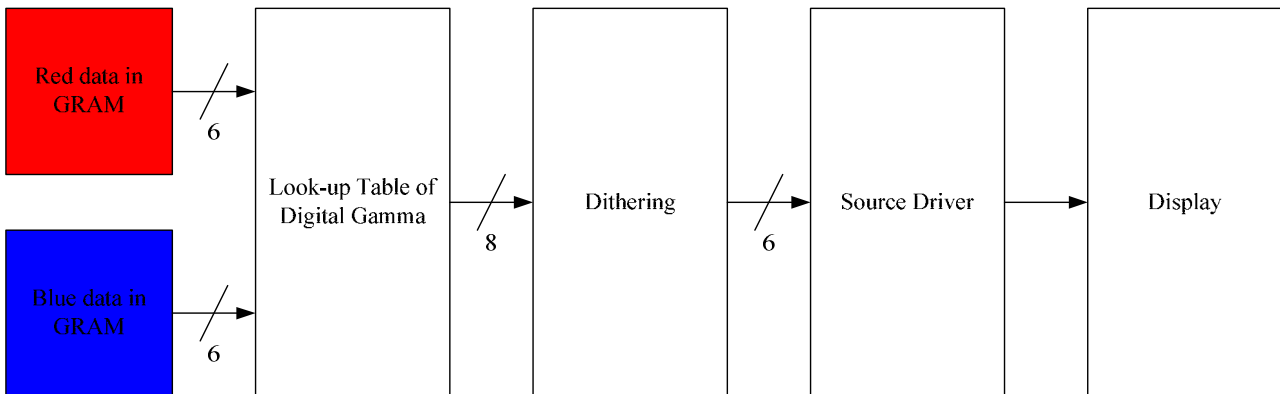


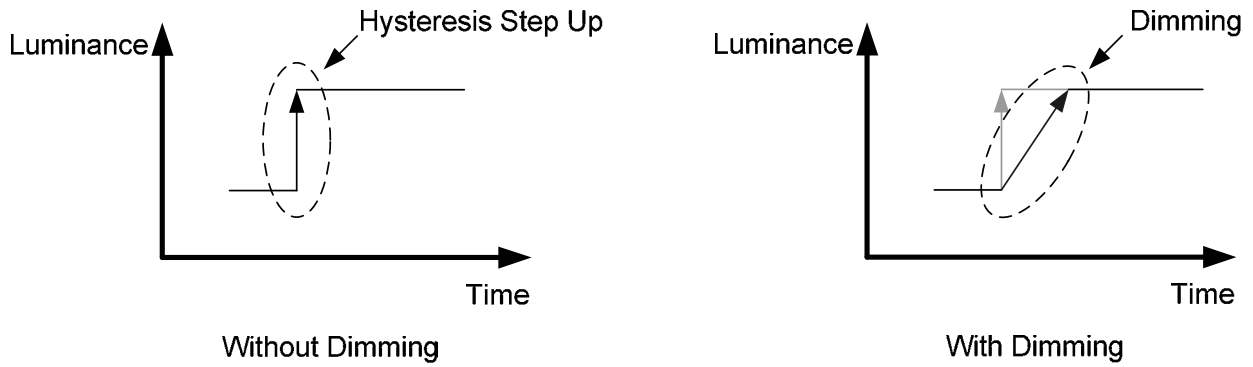
Figure 37 Block diagram of digital gamma

There are 2 registers and each register has 64 bytes to set R, G, B gamma independently. When bit DGMEN be set to 1, R and B gamma will be mapped via look-up table of digital gamma to gray level voltage.

**8.21 Display Dimming**

**8.21.1 General Description**

A dimming function (how fast to change the brightness from old to new level and what are brightness levels during the change) is used when changing from one brightness level to another. This dimming function curve is the same in increment and decrement. The basic idea is described below.



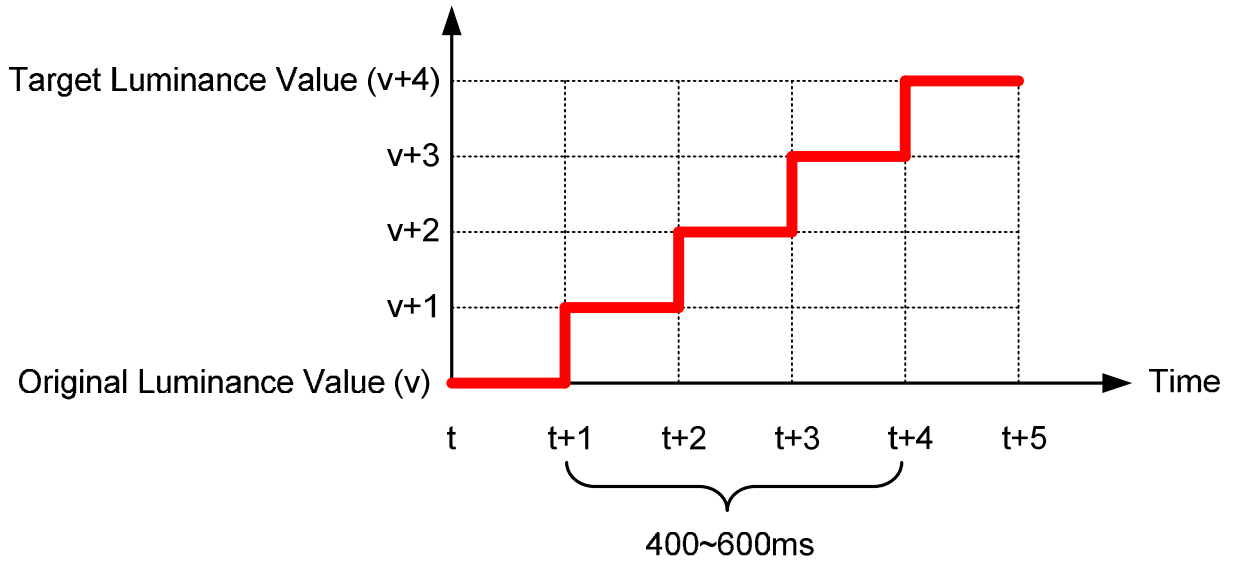
Dimming function can be enable and disable. See "Write CTRL Display (53h)" (bit DD) for more information.

**8.21.2 Dimming Requirement**

Dimming function in the display module should be implemented so that 400-600ms is used for the transition between the original brightness value and the target brightness value. The transferring time steps between these two brightness values are equal making the transition linear.

The dimming function is working similarly in both upward and downward directions.

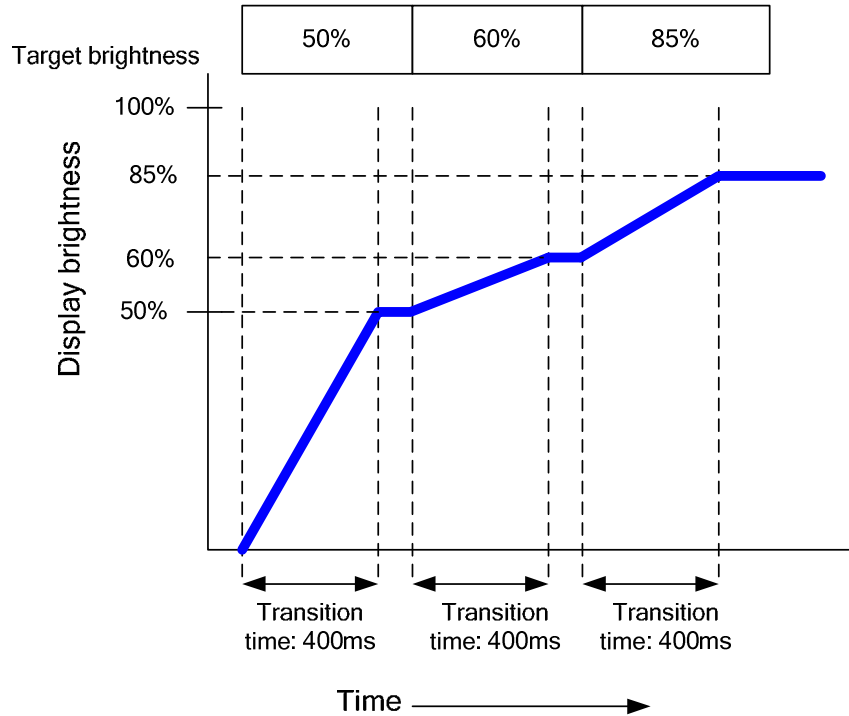
An upward example is illustrate below



8.21.3 Definition of brightness transition time

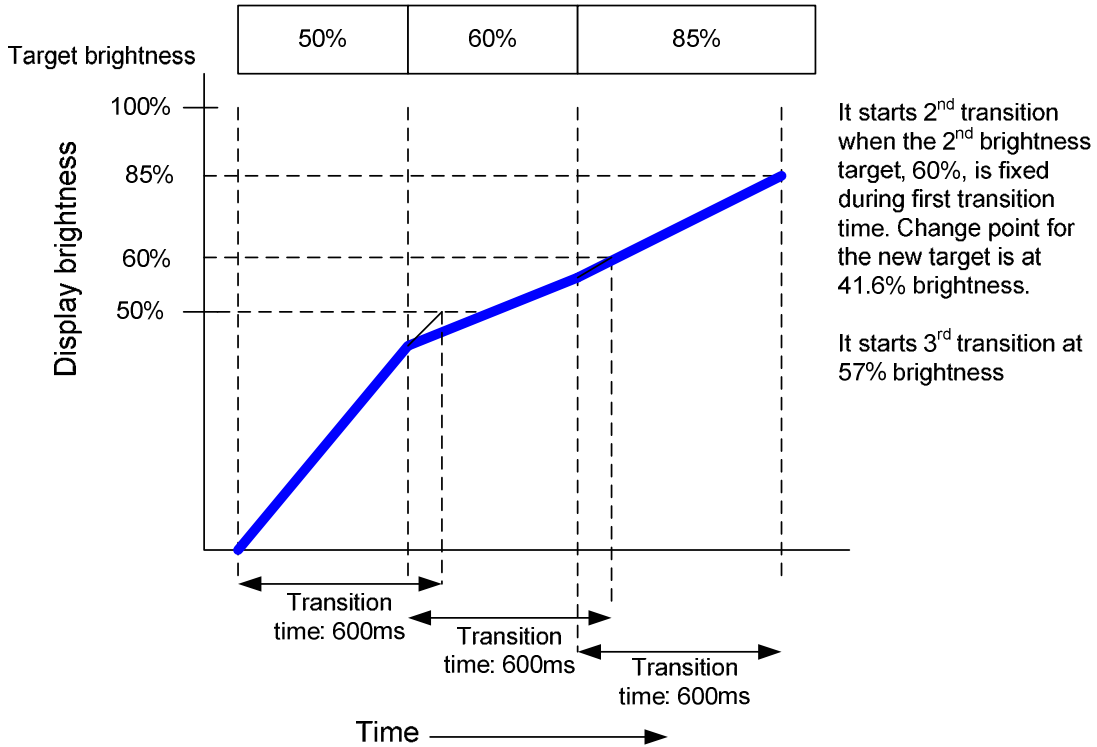
- Shorter transition time than 500ms.

There is some stable time between transitions. Below drawing is for transition time: 400ms.



- Longer transition time than 500ms

There is no any stable time between transitions. Below drawing is for transition time: 600ms.



## 8.22 Content Adaptive Brightness Control (CABC)

### 8.22.1 Definition of CABC

A Content Adaptive Brightness Control function can be used to reduce the power consumption of the luminance source. Content adaptation means that content gray level scale can be increased while simultaneously lowering brightness of the backlight to achieve same perceived brightness. The adjusted gray level scale and thus the power consumption reduction

Definition of Modes and target power reduction ratio:

- Off mode: Content Adaptive Brightness Control functionality is totally off.
- UI [User interface] image mode: Optimized for UI image. It is kept image quality as much as possible. Target power consumption reduction ratio: 10% or less.
- Still picture mode: Optimized for still picture. Some image quality degradation would be acceptable. Target power consumption reduction ratio: more than 30%.
- Moving image mode: Optimized for moving image. It is focused on the biggest power reduction with image quality degradation. Target power consumption reduction ratio: more than 30%.

*Note 1: Updating partial area of the image data should be supported by CABC functionality.*

*Note 2: Processing power consumption of CABC should be minimized.*



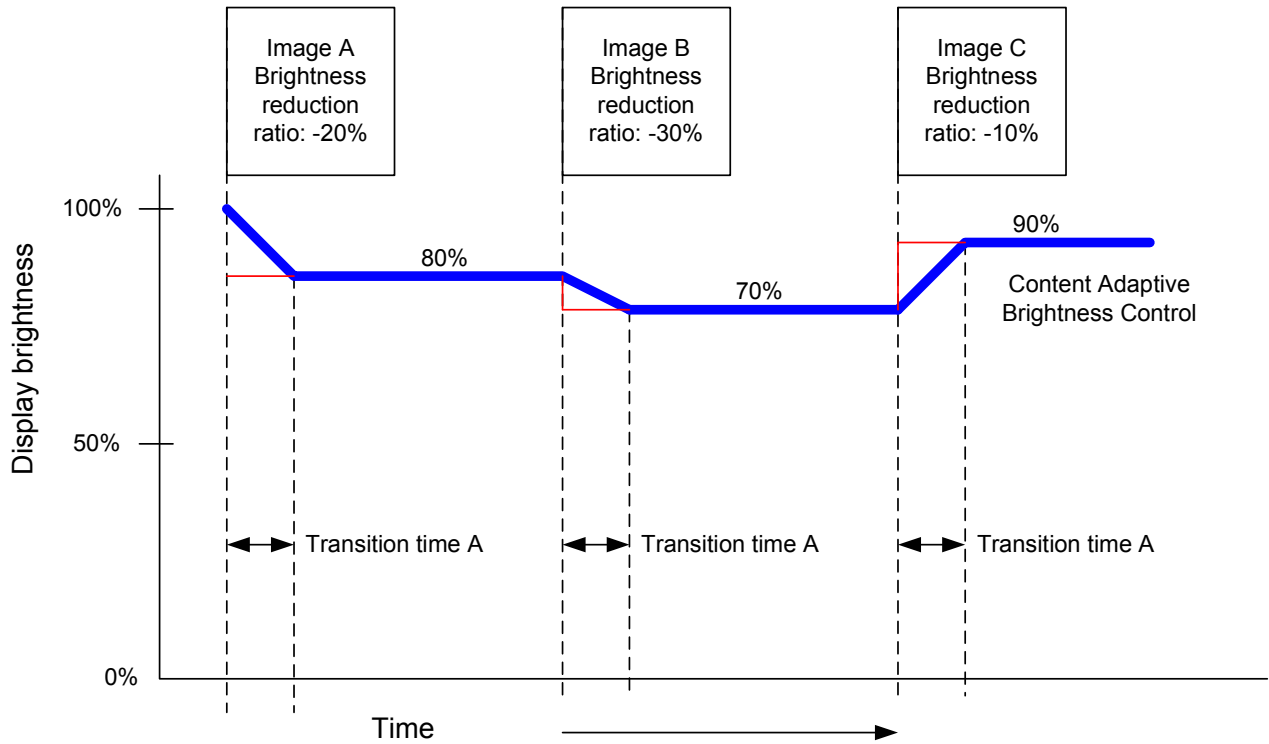
The transition time for dimming function is illustrated below.

- Content Adaptive Brightness Control

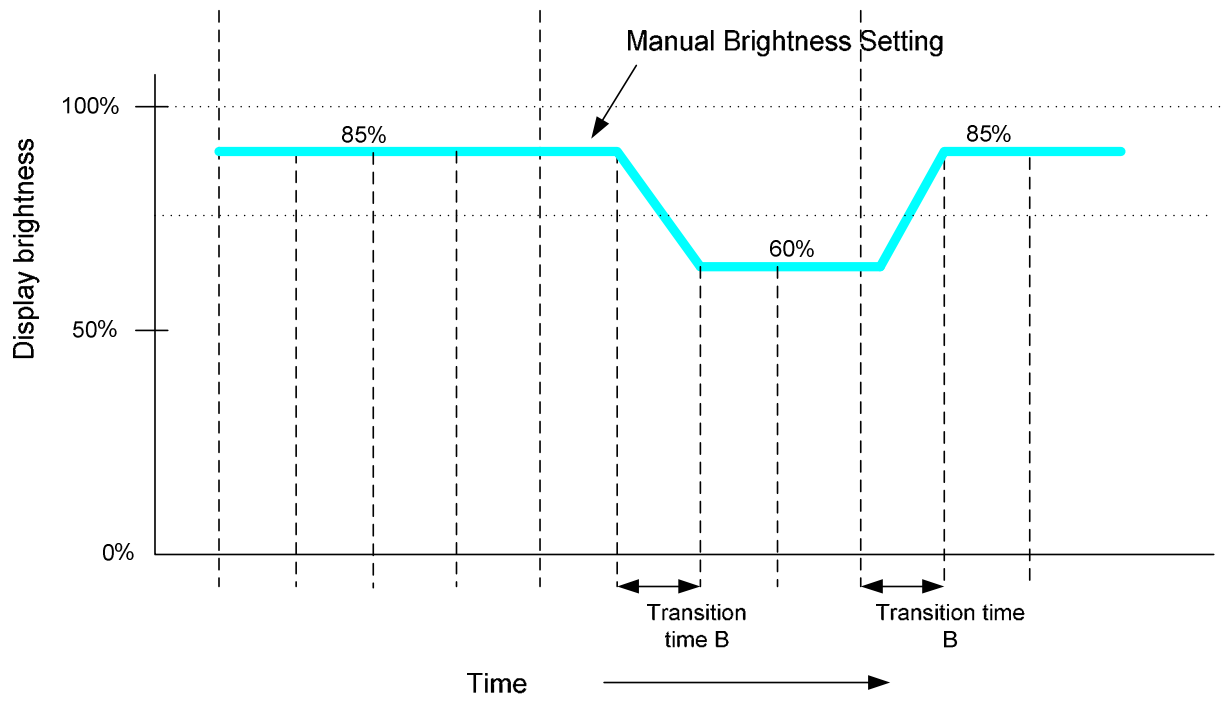
Display brightness is changed, according to the image contents. The following graph mentions the case of displaying three different images.

- Image A: -20% brightness reduction
- Image B: -30% brightness reduction
- Image C: -30% brightness reduction

Transition time from the previous image to the current displayed image is "transition time A".



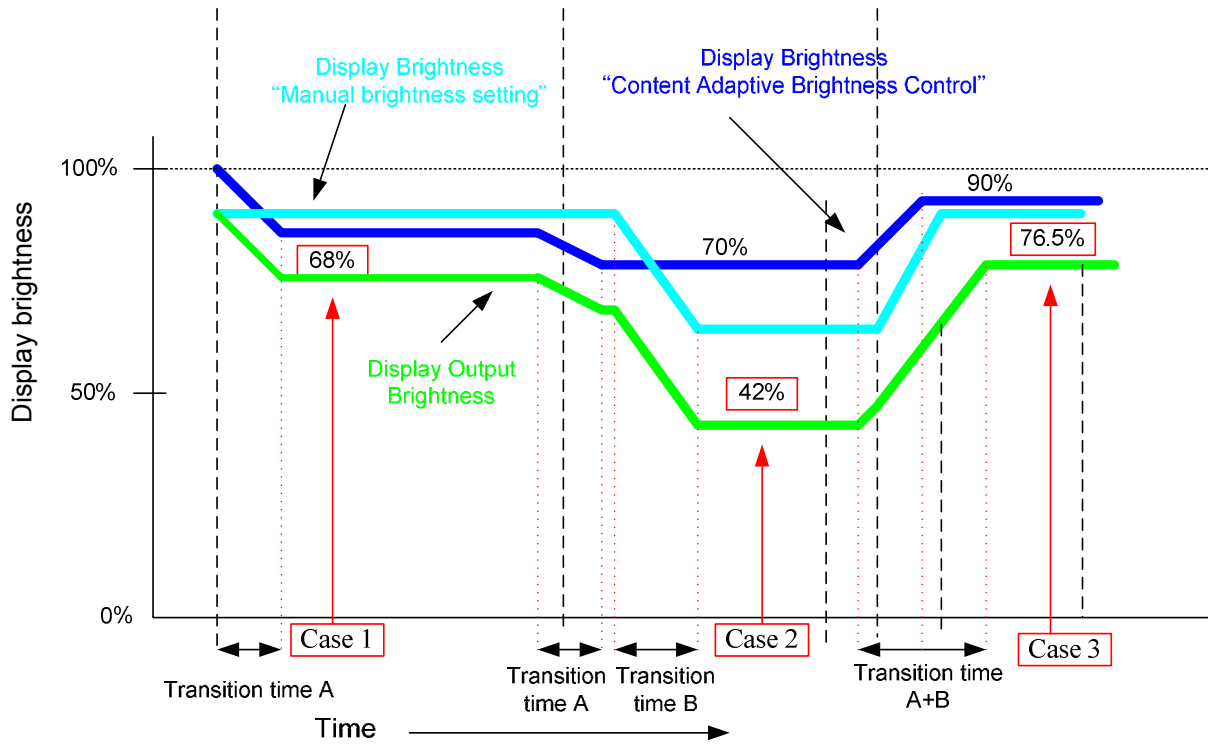
- Manual brightness setting and Dimming function



- Combine Display brightness

Green line in the following graph is for the output brightness of display. It is combined with both display brightness, which are defined in the above graphs.

Maximum transition time is transition time A+B.



Brightness level calculates with the following formula.

$$\text{Display Output brightness} = \text{Manual Brightness setting} * \text{CABC brightness ratio}$$

	Manual Brightness setting	Brightness ratio [CABC]	Display Output brightness
Case 1	85%	80%	68%
Case 2	60%	70%	42%
Case 3	85%	90%	76.5%

Transition time from the current brightness to target brightness is A+B in the worst case.

8.22.2 Minimum brightness setting of CABC function

CABC function is automatically reduced backlight brightness based on image contents. In the case of the combination with the LABC or manual brightness setting, display brightness is too dark. It must affect to image quality degradation. CABC minimum brightness setting is to avoid too much brightness reduction. When CABC is active, CABC can not reduce the display brightness to less than CABC minimum brightness setting. If CABC algorithm works without any abnormal visual effect, image processing function can operate even when the brightness can not be changed.

This function does not affect to the other function, manual brightness setting. Manual brightness can be set the display brightness to less than CABC minimum brightness. Smooth transition and dimming function can be worked as normal.

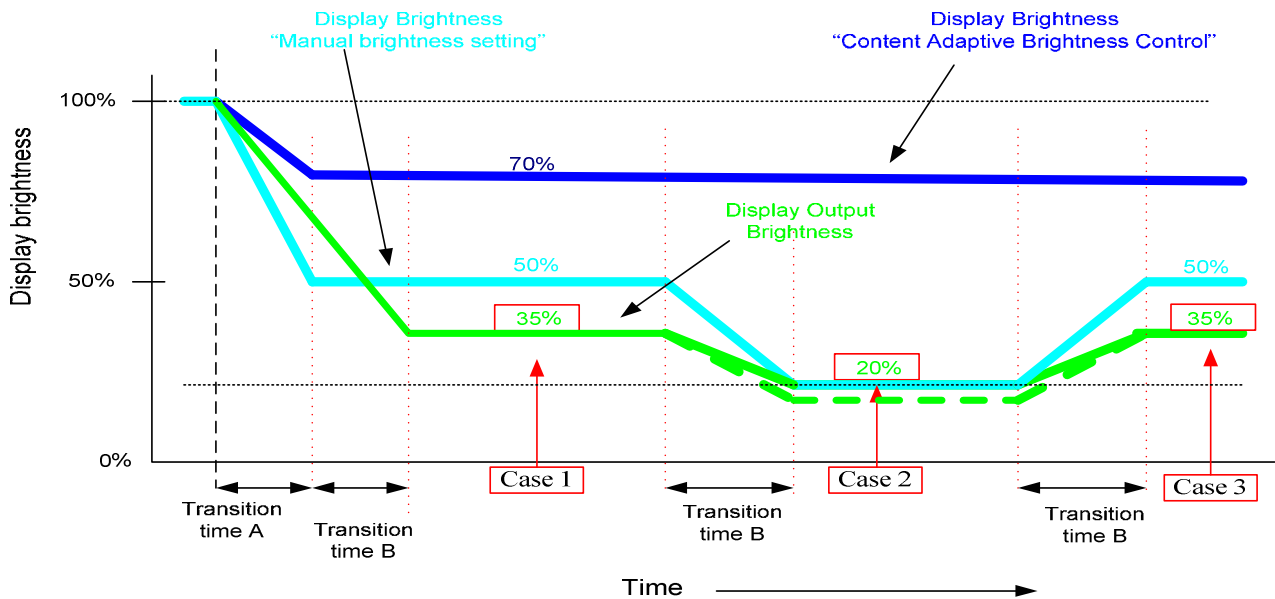
When display brightness is turned off (BCTRL=0 of "9.1.39 Write CTRL Display (53h)"), CABC minimum brightness setting is ignored. "9.1.44 Read CABC minimum brightness (5Fh)" always read the setting value of "9.1.43 Write CABC minimum brightness (5Eh)".

	WRCABC (55h)	Function	RDCABCMB (5Fh)	Image
Sleep-in		NA	WRCABCMB (5Eh)	
CABC off	00b	Disable	WRCABCMB (5Eh)	Original
CABC on	01b/10b/11b	Enable	WRCABCMB (5Eh)	CABC modified

Brightness level calculates with the following formula.

$$\text{Display Output Brightness} = \text{Manual brightness setting} * \text{CABC brightness ratio}$$

Below drawing is for the explanation of the CABC minimum brightness setting.



CABC minimum brightness value = 51 (33h: 20% display brightness)

	Display Brightness [manual setting]	Brightness ratio [CABC]	Calculation result of the display brightness formula	Display Output Brightness	Image
Case 1	50%	70%	35%	35%	CABC modified
Case 2	20%	70%	14%	20%	CABC modified
Case 3	50%	70%	35%	35%	CABC modified

At the case 2, the calculation result of the display brightness is 14%. CABC minimum brightness value is set to 20% brightness. Actual display brightness is 20% as the CABC minimum brightness setting.

9 COMMAND

9.1 System Function Command Table 1

Instruction	D/CX	WRX	RDX	D17-8	D7	D6	D5	D4	D3	D2	D1	D0	Hex	Function
NOP	0	↑	1	-	0	0	0	0	0	0	0	0	(00h)	No operation
SWRESET	0	↑	1	-	0	0	0	0	0	0	0	1	(01h)	Software reset
RDDID	0	↑	1	-	0	0	0	0	0	1	0	0	(04h)	Read display ID
	1	1	↑	-	-	-	-	-	-	-	-	-		Dummy read
	1	1	↑	-	ID17	ID16	ID15	ID14	ID13	ID12	ID11	ID10		ID1 read
	1	1	↑	-	ID27	ID26	ID25	ID24	ID23	ID22	ID21	ID20		ID2 read
	1	1	↑	-	ID37	ID36	ID35	ID34	ID33	ID32	ID31	ID30		ID3 read
RDDST	0	↑	1	-	0	0	0	0	1	0	0	1	(09h)	Read display status
	1	1	↑	-	-	-	-	-	-	-	-	-		Dummy read
	1	1	↑	-	BSTON	MY	MX	MV	ML	RGB	MH	ST24		-
	1	1	↑	-	ST23	IFPF2	IFPF1	IFPF0	IDMON	PTLON	SLOUT	NORON		-
	1	1	↑	-	ST15	ST14	INVON	ST12	ST11	DISON	TEON	GCS2		-
	1	1	↑	-	GCS1	GCS0	TEM	ST4	ST3	ST2	ST1	ST0		-
RDDPM	0	↑	1	-	0	0	0	0	1	0	1	0	(0Ah)	Read display power
	1	1	↑	-	-	-	-	-	-	-	-	-		Dummy read
	1	1	↑	-	BSTON	IDMON	PTLON	SLPOUT	NORON	DISON	0	0		
RDD MADCTL	0	↑	1	-	0	0	0	0	1	0	1	1	(0Bh)	Read display
	1	1	↑	-	-	-	-	-	-	-	-	-		Dummy read
	1	1	↑	-	MY	MX	MV	ML	RGB	MH	0	0		-
RDD COLMOD	0	↑	1	-	0	0	0	0	1	1	0	0	(0Ch)	Read display pixel
	1	1	↑	-	-	-	-	-	-	-	-	-		Dummy read
	1	1	↑	-	0	D6	D5	D4	0	D2	D1	D0		-
RDDIM	0	↑	1	-	0	0	0	0	1	1	0	1	(0Dh)	Read display image
	1	1	↑	-	-	-	-	-	-	-	-	-		Dummy read
	1	1	↑	-	VSSON	0	INVON	0	0	GC2	GC1	GC0		-
RDDSM	0	↑	1	-	0	0	0	0	1	1	1	0	(0Eh)	Read display signal
	1	1	↑	-	-	-	-	-	-	-	-	-		Dummy read

Instruction	D/CX	WRX	RDX	D17-8	D7	D6	D5	D4	D3	D2	D1	D0	Hex	Function
	1	1	↑	-	TEON	TEM	0	0	0	0	0	0		-
RDDSDR	0	↑	1	-	0	0	0	0	1	1	1	1	(0Fh)	Read display self-diagnostic result
	1	1	↑	-	-	-	-	-	-	-	-	-		Dummy read
	1	1	↑	-	D7	D6	0	0	0	0	0	0		-
SLPIN	0	↑	1	-	0	0	0	1	0	0	0	0	(10h)	Sleep in
SLPOUT	0	↑	1	-	0	0	0	1	0	0	0	1	(11h)	Sleep out
PTLON	0	↑	1	-	0	0	0	1	0	0	1	0	(12h)	Partial mode on
NORON	0	↑	1	-	0	0	0	1	0	0	1	1	(13h)	Partial off (Normal)
INVOFF	0	↑	1	-	0	0	1	0	0	0	0	0	(20h)	Display inversion off
INVON	0	↑	1	-	0	0	1	0	0	0	0	1	(21h)	Display inversion on
GAMSET	0	↑	1	-	0	0	1	0	0	0	0	1	(26h)	Display inversion on
	1	↑	1	-	0	0	0	0	GC3	GC2	GC1	GC0		on
DISPOFF	0	↑	1	-	0	0	1	0	1	0	0	0	(28h)	Display off
DISPON	0	↑	1	-	0	0	1	0	1	0	0	1	(29h)	Display on
CASET	0	↑	1	-	0	0	1	0	1	0	1	0	(2Ah)	Column address set
	1	↑	1	-	XS15	XS14	XS13	XS12	XS11	XS10	XS9	XS8		X address start:
	1	↑	1		XS7	XS6	XS5	XS4	XS3	XS2	XS1	XS0		$0 \leq XS \leq X$
	1	↑	1		XE15	XE14	XE13	XE12	XE11	XE10	XE9	XE8		X address start:
	1	↑	1		XE7	XE6	XE5	XE4	XE3	XE2	XE1	XE0		$S \leq XE \leq X$
RASET	0	↑	1	-	0	0	1	0	1	0	1	1	(2Bh)	Row address set
	1	↑	1	-	YS15	YS14	YS13	YS12	YS11	YS10	YS9	YS8		Y address start:
	1	↑	1		YS7	YS6	YS5	YS4	YS3	YS2	YS1	YS0		$0 \leq YS \leq Y$
	1	↑	1		YE15	YE14	YE13	YE12	YE11	YE10	YE9	YE8		Y address start:
	1	↑	1		YE7	YE6	YE5	YE4	YE3	YE2	YE1	YE0		$S \leq YE \leq Y$
RAMWR	0	↑	1	-	0	0	1	0	1	1	0	0	(2Ch)	Memory write
	1	↑	1	D1[17:8]	D1[7]	D1[6]	D1[5]	D1[4]	D1[3]	D1[2]	D1[1]	D1[0]		Write data
	1	↑	1	Dx[17:8]	Dx[7]	Dx[6]	Dx[5]	Dx[4]	Dx[3]	Dx[2]	Dx[1]	Dx[0]		
	1	↑	1	Dn[17:8]	Dn[7]	Dn[6]	Dn[5]	Dn[4]	Dn[3]	Dn[2]	Dn[1]	Dn[0]		
RAMRD	0	↑	1	-	0	0	1	0	1	1	1	0	(2Eh)	Memory read

Instruction	D/CX	WRX	RDX	D17-8	D7	D6	D5	D4	D3	D2	D1	D0	Hex	Function
	1	1	↑	-	-	-	-	-	-	-	-	-		Dummy read
	1	1	↑	D1[17:8]	D1[7]	D1[6]	D1[5]	D1[4]	D1[3]	D1[2]	D1[1]	D1[0]		Read data
	1	1	↑	Dx[17:8]	Dx[7]	Dx[6]	Dx[5]	Dx[4]	Dx[3]	Dx[2]	Dx[1]	Dx[0]		
	1	1	↑	Dn[17:8]	Dn[7]	Dn[6]	Dn[5]	Dn[4]	Dn[3]	Dn[2]	Dn[1]	Dn[0]		
PTLAR	0	↑	1	-	0	0	1	1	0	0	0	0	(30h)	Partial start/end address set
	1	↑	1	-	PSL15	PSL14	PSL13	PSL12	PSL11	PSL10	PSL9	PSL8		Partial start address: (0, 1, 2, ..P)
	1	↑	1	-	PSL7	PSL6	PSL5	PSL4	PSL3	PSL2	PSL1	PSL0		
	1	↑	1	-	PEL15	PEL14	PEL13	PEL12	PEL11	PEL10	PEL9	PEL8		Partial end address (0, 1, 2, 3, , P)
1	↑	1	-	PEL7	PEL6	PEL5	PEL4	PEL3	PEL2	PEL1	PEL0			
VSCRDEF	0	↑	1	-	0	0	1	1	0	0	1	1	(33h)	Vertical scrolling definition
	1	↑	1	-	TFA15	TFA14	TFA13	TFA12	TFA11	TFA10	TFA9	TFA8		
	1	↑	1	-	TFA7	TFA6	TFA5	TFA4	TFA3	TFA2	TFA1	TFA0		
	1	↑	1	-	VSA15	VSA14	VSA13	VSA12	VSA11	VSA10	VSA9	VSA8		
	1	↑	1	-	VSA7	VSA6	VSA5	VSA4	VSA3	VSA2	VSA1	VSA0		
	1	↑	1	-	BFA15	BFA14	BFA13	BFA12	BFA11	BFA10	BFA9	BFA8		
	1	↑	1	-	BFA7	BFA6	BFA5	BFA4	BFA3	BFA2	BFA1	BFA0		
TEOFF	0	↑	1	-	0	0	1	1	0	1	0	0	(34h)	Tearing effect line off
TEON	0	↑	1	-	0	0	1	1	0	1	0	1	(35h)	Tearing effect line on
	1	↑	1	-	-	-	-	-	-	-	-	TEM		
MADCTL	0	↑	1	-	0	0	1	1	0	1	1	0	(36h)	Memory data access control
	1	↑	1	-	MY	MX	MV	ML	RGB	0	0	0		-
VSCRSADD	0	↑	1	-	0	0	1	1	0	1	1	1	(37h)	Vertical scrolling start address
	1	↑	1	-	VSP15	VSP14	VSP13	VSP12	VSP11	VSP10	VSP9	VSP8		
	1	↑	1	-	VSP7	VSP6	VSP5	VSP4	VSP3	VSP2	VSP1	VSP0		
IDMOFF	0	↑	1	-	0	0	1	1	1	0	0	0	(38h)	Idle mode off
IDMON	0	↑	1	-	0	0	1	1	1	0	0	1	(39h)	Idle mode on
COLMOD	0	↑	1	-	0	0	1	1	1	0	1	0	(3Ah)	Interface pixel format



Instruction	D/CX	WRX	RDX	D17-8	D7	D6	D5	D4	D3	D2	D1	D0	Hex	Function
	1	↑	1	-	0	D6	D5	D4	0	D2	D1	D0		Interface format
RAMWRC	0	↑	1	-	0	0	1	1	1	1	0	0	(3Ch)	Memory write continue
	1	↑	1	D1[17:8]	D1[7]	D1[6]	D1[5]	D1[4]	D1[3]	D1[2]	D1[1]	D1[0]		Write data
	1	↑	1	Dx[17:8]	Dx[7]	Dx[6]	Dx[5]	Dx[4]	Dx[3]	Dx[2]	Dx[1]	Dx[0]		
	1	↑	1	Dn[17:8]	Dn[7]	Dn[6]	Dn[5]	Dn[4]	Dn[3]	Dn[2]	Dn[1]	Dn[0]		
RAMRDC	0	↑	1	-	0	0	1	1	1	1	1	0	(3Eh)	Memory read continue
	1	1	↑	-	-	-	-	-	-	-	-	-		Dummy Read
	1	1	↑	D1[17:8]	D1[7]	D1[6]	D1[5]	D1[4]	D1[3]	D1[2]	D1[1]	D1[0]		
	1	1	↑	Dx[17:8]	Dx[7]	Dx[6]	Dx[5]	Dx[4]	Dx[3]	Dx[2]	Dx[1]	Dx[0]		
	1	1	↑	Dn[17:8]	Dn[7]	Dn[6]	Dn[5]	Dn[4]	Dn[3]	Dn[2]	Dn[1]	Dn[0]		
TESCAN	0	↑	1	-	0	1	0	0	0	1	0	0	(44h)	Set tear scanline
	1	↑	1	-	N15	N14	N13	N12	N11	N10	N9	N8		
	1	↑	1	-	N7	N6	N5	N4	N3	N2	N1	N0		
RDTESCAN	0	↑	1	-	0	1	0	0	0	1	0	1	(45h)	Get scanline
	1	1	↑	-	-	-	-	-	-	-	-	-		Dummy Read
	1	1	↑	-	-	-	-	-	-	-	N9	N8		
	1	1	↑	-	N7	N6	N5	N4	N3	N2	N1	N0		
WRDISBV	0	↑	1	-	0	1	0	1	0	0	0	1	(51h)	Write display brightness
	1	↑	1	-	DBV7	DBV6	DBV5	DBV4	DBV3	DBV2	DBV1	DBV0		
RDDISBV	0	↑	1	-	0	1	0	1	0	0	1	0	(52h)	Read display brightness value
	1	1	↑	-	-	-	-	-	-	-	-	-		Dummy read
	1	1	↑	-	DBV7	DBV6	DBV5	DBV4	DBV3	DBV2	DBV1	DBV0		
WRCTRLD	0	↑	1	-	0	1	0	1	0	0	1	1	(53h)	Write CTRL display
	1	↑	1	-	0	0	BCTRL	0	DD	BL	0	0		
RDCTRLD	0	↑	1	-	0	1	0	1	0	1	0	0	(54h)	Read CTRL value display
	1	1	↑	-	-	-	-	-	-	-	-	-		Dummy read
	1	1	↑	-	0	0	BCTRL	0	DD	BL	0	0		

Instruction	D/CX	WRX	RDX	D17-8	D7	D6	D5	D4	D3	D2	D1	D0	Hex	Function
WRCACE	0	↑	1	-	0	1	0	1	0	1	0	1	(55h)	Write content adaptive brightness control and Color enhancemnet
	1	↑	1	-	CECTRL	0	CE1	CE0	0	0	C1	C0		
RDCABC	0	↑	1	-	0	1	0	1	0	1	1	0	(56h)	Read content adaptive brightness control
	1	1	↑	-	-	-	-	-	-	-	-	-		Dummy read
	1	1	↑	-	0	CECTRL	0	0	0	0	C1	C0		
WRCABCMB	0	↑	1	-	0	1	0	1	1	1	1	0	(5Eh)	Write CABC minimum brightness
	1	↑	1	-	CMB7	CMB6	CMB5	CMB4	CMB3	CMB2	CMB1	CMB0		
RDCABCMB	0	↑	1	-	0	1	0	1	1	1	1	1	(5Fh)	Read CABC minimum brightness
	1	1	↑	-	-	-	-	-	-	-	-	-		Dummy read
	1	1	↑	-	CMB7	CMB6	CMB5	CMB4	CMB3	CMB2	CMB1	CMB0		
RDID1	0	↑	1	-	1	1	0	1	1	0	1	0	(Dah)	Read ID1
	1	1	↑	-	-	-	-	-	-	-	-	-		Dummy read
	1	1	↑	-	ID17	ID16	ID15	ID14	ID13	ID12	ID11	ID10		Read parameter
RDID2	0	↑	1	-	1	1	0	1	1	0	1	1	(DBh)	Read ID2
	1	1	↑	-	-	-	-	-	-	-	-	-		Dummy read
	1	1	↑	-	ID27	ID26	ID25	ID24	ID23	ID22	ID21	ID20		Read parameter
RDID3	0	↑	1	-	1	1	0	1	1	1	0	0	(DCh)	Read ID3
	1	1	↑	-	-	-	-	-	-	-	-	-		Dummy read
	1	1	↑		ID37	ID36	ID35	ID34	ID33	ID32	ID31	ID30		Read parameter

Table 18 System Function Command List

"-": Don't care

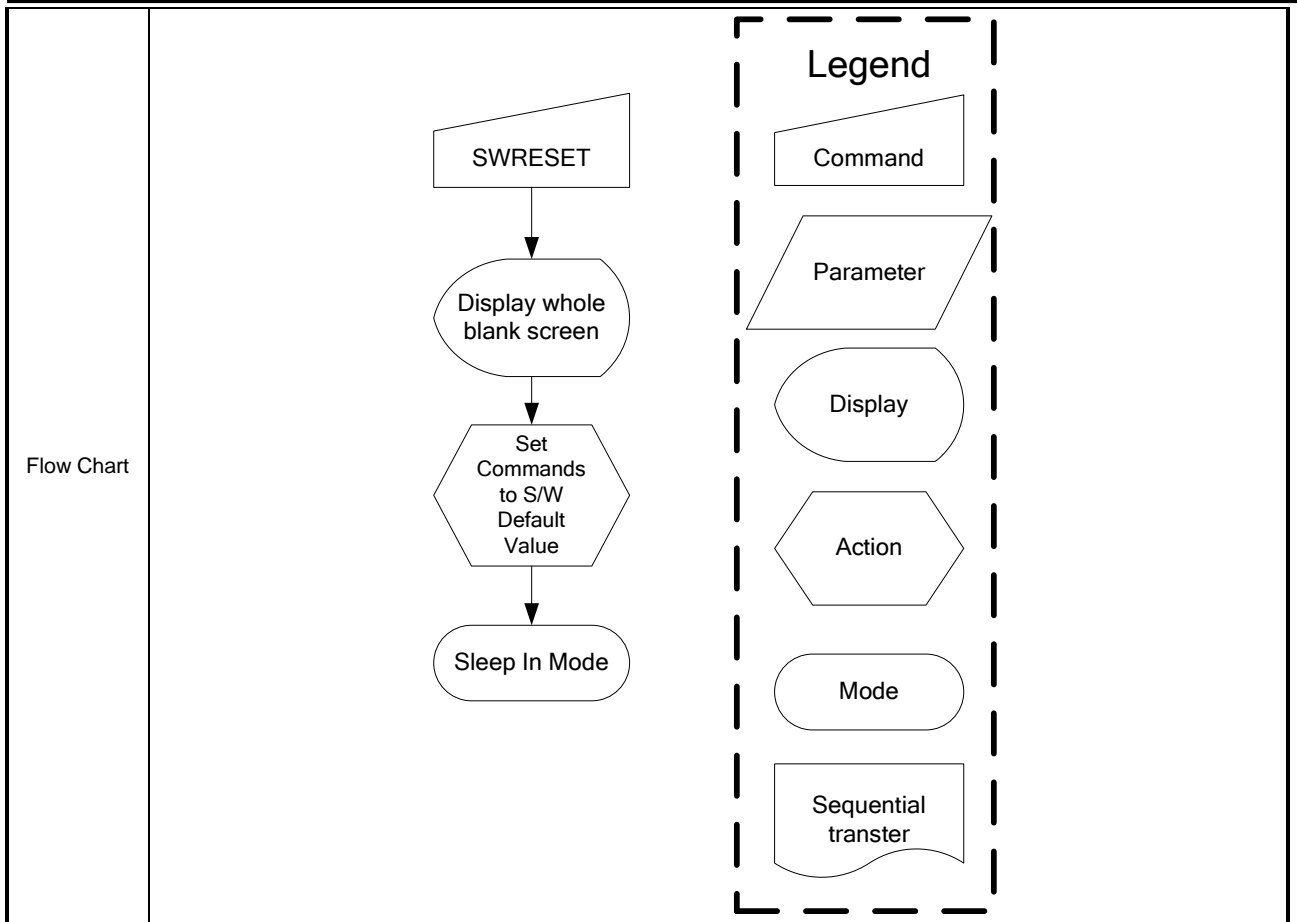
9.1.1 NOP (00h)

00H	NOP (No Operation)																								
Inst / Para	D/CX	WRX	RDX	D17-8	D7	D6	D5	D4	D3	D2	D1	D0	HEX												
NOP	0	↑	1	-	0	0	0	0	0	0	0	0	(00h)												
Parameter	No Parameter												-												
Description	This command is empty command.																								
Restriction																									
Register Availability	<table border="1"> <thead> <tr> <th>Status</th> <th>Availability</th> </tr> </thead> <tbody> <tr> <td>Normal Mode On, Idle Mode Off, Sleep Out</td> <td>Yes</td> </tr> <tr> <td>Normal Mode On, Idle Mode On, Sleep Out</td> <td>Yes</td> </tr> <tr> <td>Partial Mode On, Idle Mode Off, Sleep Out</td> <td>Yes</td> </tr> <tr> <td>Partial Mode On, Idle Mode On, Sleep Out</td> <td>Yes</td> </tr> <tr> <td>Sleep In</td> <td>Yes</td> </tr> </tbody> </table>													Status	Availability	Normal Mode On, Idle Mode Off, Sleep Out	Yes	Normal Mode On, Idle Mode On, Sleep Out	Yes	Partial Mode On, Idle Mode Off, Sleep Out	Yes	Partial Mode On, Idle Mode On, Sleep Out	Yes	Sleep In	Yes
Status	Availability																								
Normal Mode On, Idle Mode Off, Sleep Out	Yes																								
Normal Mode On, Idle Mode On, Sleep Out	Yes																								
Partial Mode On, Idle Mode Off, Sleep Out	Yes																								
Partial Mode On, Idle Mode On, Sleep Out	Yes																								
Sleep In	Yes																								
Default	<table border="1"> <thead> <tr> <th>Status</th> <th>Default Value</th> </tr> </thead> <tbody> <tr> <td>Power On Sequence</td> <td>N/A</td> </tr> <tr> <td>S/W Reset</td> <td>N/A</td> </tr> <tr> <td>H/W Reset</td> <td>N/A</td> </tr> </tbody> </table>													Status	Default Value	Power On Sequence	N/A	S/W Reset	N/A	H/W Reset	N/A				
Status	Default Value																								
Power On Sequence	N/A																								
S/W Reset	N/A																								
H/W Reset	N/A																								
Flow Chart																									

Note: “-“Don't care

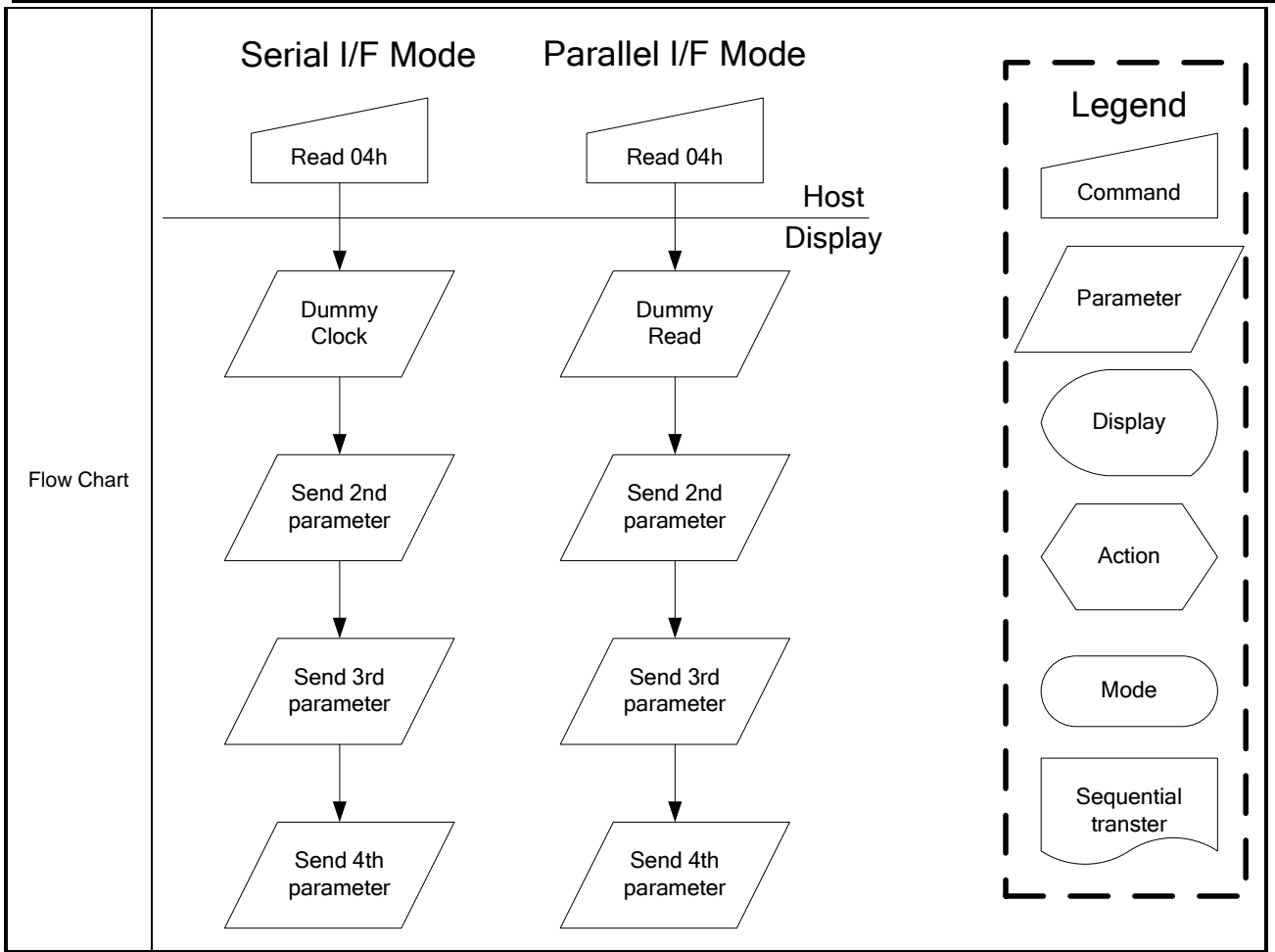
9.1.2 SWRESET (01h): Software Reset

01H	SWRESET (Software Reset)																								
Inst / Para	D/CX	WRX	RDX	D17-8	D7	D6	D5	D4	D3	D2	D1	D0	HEX												
SWRESET	0	↑	1	-	0	0	0	0	0	0	0	1	(01h)												
Parameter	No Parameter												-												
Description	“-“ Don't care -The display module performs a software reset, registers are written with their SW reset default values. -Frame memory contents are unaffected by this command.																								
Restriction	It will be necessary to wait 5msec before sending new command following software reset. The display module loads all display suppliers' factory default values to the registers during this 5msec. If software reset is sent during sleep in mode, it will be necessary to wait 120msec before sending sleep out command. Software reset command cannot be sent during sleep out sequence.																								
Register Availability	<table border="1"> <thead> <tr> <th>Status</th> <th>Availability</th> </tr> </thead> <tbody> <tr> <td>Normal Mode On, Idle Mode Off, Sleep Out</td> <td>Yes</td> </tr> <tr> <td>Normal Mode On, Idle Mode On, Sleep Out</td> <td>Yes</td> </tr> <tr> <td>Partial Mode On, Idle Mode Off, Sleep Out</td> <td>Yes</td> </tr> <tr> <td>Partial Mode On, Idle Mode On, Sleep Out</td> <td>Yes</td> </tr> <tr> <td>Sleep In</td> <td>Yes</td> </tr> </tbody> </table>													Status	Availability	Normal Mode On, Idle Mode Off, Sleep Out	Yes	Normal Mode On, Idle Mode On, Sleep Out	Yes	Partial Mode On, Idle Mode Off, Sleep Out	Yes	Partial Mode On, Idle Mode On, Sleep Out	Yes	Sleep In	Yes
Status	Availability																								
Normal Mode On, Idle Mode Off, Sleep Out	Yes																								
Normal Mode On, Idle Mode On, Sleep Out	Yes																								
Partial Mode On, Idle Mode Off, Sleep Out	Yes																								
Partial Mode On, Idle Mode On, Sleep Out	Yes																								
Sleep In	Yes																								
Default	<table border="1"> <thead> <tr> <th>Status</th> <th>Default Value</th> </tr> </thead> <tbody> <tr> <td>Power On Sequence</td> <td>N/A</td> </tr> <tr> <td>S/W Reset</td> <td>N/A</td> </tr> <tr> <td>H/W Reset</td> <td>N/A</td> </tr> </tbody> </table>													Status	Default Value	Power On Sequence	N/A	S/W Reset	N/A	H/W Reset	N/A				
Status	Default Value																								
Power On Sequence	N/A																								
S/W Reset	N/A																								
H/W Reset	N/A																								



9.1.3 RDDID (04h): Read Display ID

04H	RDDID (Read Display ID)												HEX																			
Inst / Para	D/CX	WRX	RDX	D17-8	D7	D6	D5	D4	D3	D2	D1	D0	HEX																			
RDDID	0	↑	1	-	0	0	0	0	0	1	0	0	(04h)																			
1 <sup>st</sup> parameter	1	1	↑	-	-	-	-	-	-	-	-	-	-																			
2 <sup>nd</sup> parameter	1	1	↑	-	ID17	ID16	ID15	ID14	ID13	ID12	ID11	ID10																				
3 <sup>rd</sup> parameter	1	1	↑	-	ID27	ID26	ID25	ID24	ID23	ID22	ID21	ID20																				
4 <sup>th</sup> parameter	1	1	↑	-	ID37	ID36	ID35	ID34	ID33	ID32	ID31	ID30																				
Description	<p>-This read byte returns 24-bit display identification information.</p> <p>-The 1<sup>st</sup> parameter is dummy data</p> <p>-The 2<sup>nd</sup> parameter (ID17 to ID10): LCD module's manufacturer ID.</p> <p>-The 3<sup>rd</sup> parameter (ID26 to ID20): LCD module/driver version ID</p> <p>-The 4<sup>th</sup> parameter (ID37 to UD30): LCD module/driver ID.</p> <p>-Commands RDID1/2/3(Dah, DBh, DCh) read data correspond to the parameters 2,3,4 of the command 04h, respectively.</p> <p>"-" Don't care</p>																															
Restriction																																
Register availability	<table border="1"> <thead> <tr> <th>Status</th> <th>Availability</th> </tr> </thead> <tbody> <tr> <td>Normal Mode On, Idle Mode Off, Sleep Out</td> <td>Yes</td> </tr> <tr> <td>Normal Mode On, Idle Mode On, Sleep Out</td> <td>Yes</td> </tr> <tr> <td>Partial Mode On, Idle Mode Off, Sleep Out</td> <td>Yes</td> </tr> <tr> <td>Partial Mode On, Idle Mode On, Sleep Out</td> <td>Yes</td> </tr> <tr> <td>Sleep In</td> <td>Yes</td> </tr> </tbody> </table>													Status	Availability	Normal Mode On, Idle Mode Off, Sleep Out	Yes	Normal Mode On, Idle Mode On, Sleep Out	Yes	Partial Mode On, Idle Mode Off, Sleep Out	Yes	Partial Mode On, Idle Mode On, Sleep Out	Yes	Sleep In	Yes							
Status	Availability																															
Normal Mode On, Idle Mode Off, Sleep Out	Yes																															
Normal Mode On, Idle Mode On, Sleep Out	Yes																															
Partial Mode On, Idle Mode Off, Sleep Out	Yes																															
Partial Mode On, Idle Mode On, Sleep Out	Yes																															
Sleep In	Yes																															
Default	<table border="1"> <thead> <tr> <th rowspan="2">Status</th> <th colspan="3">Default Value</th> </tr> <tr> <th>ID1</th> <th>ID2</th> <th>ID3</th> </tr> </thead> <tbody> <tr> <td>Power On Sequence</td> <td>0x85</td> <td>0x85</td> <td>0x52</td> </tr> <tr> <td>S/W Reset</td> <td>0x85</td> <td>0x85</td> <td>0x52</td> </tr> <tr> <td>H/W Reset</td> <td>0x85</td> <td>0x85</td> <td>0x52</td> </tr> </tbody> </table>													Status	Default Value			ID1	ID2	ID3	Power On Sequence	0x85	0x85	0x52	S/W Reset	0x85	0x85	0x52	H/W Reset	0x85	0x85	0x52
Status	Default Value																															
	ID1	ID2	ID3																													
Power On Sequence	0x85	0x85	0x52																													
S/W Reset	0x85	0x85	0x52																													
H/W Reset	0x85	0x85	0x52																													

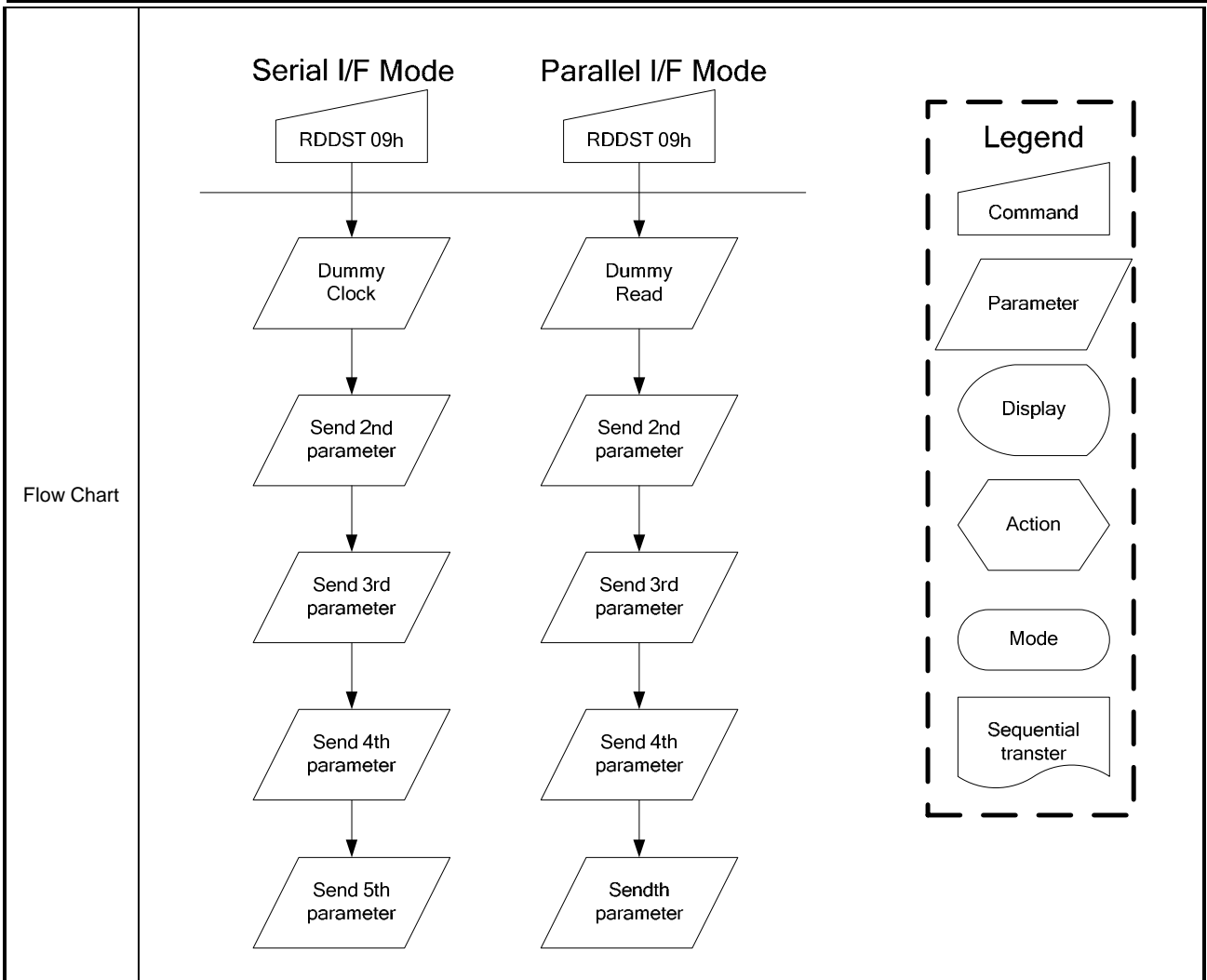


9.1.4 RDDST (09h): Read Display Status

09H	RDDST (Read Display Status)												HEX
Inst / Para	D/CX	WRX	RDX	D17-8	D7	D6	D5	D4	D3	D2	D1	D0	HEX
RDDST	0	↑	1	-	0	0	0	0	1	0	0	1	(09h)
1 <sup>st</sup> parameter	1	1	↑	-	-	-	-	-	-	-	-	-	-
2 <sup>nd</sup> parameter	1	1	↑	-	BSTON	MY	MX	MV	ML	RGB	MH	ST24	
3 <sup>rd</sup> parameter	1	1	↑	-	ST23	IFPF2	IFPF1	IFPF0	IDMON	PTLON	SLOUT	NORON	
4 <sup>th</sup> parameter	1	1	↑	-	ST15	ST14	INVON	ST12	ST11	DISON	TEON	GCS2	
5 <sup>th</sup> parameter	1	1	↑	-	GCS1	GCS0	TEM	ST4	ST3	ST2	ST1	ST0	
Description	This command indicates the current status of the display as described in the table below:												
	Bit	Description		Value									
	BSTON	Booster Voltage Status		'1' =Booster on, '0' =Booster off									
	MY	Row Address Order (MY)		'1' =Decrement, (Bottom to Top, when MADCTL (36h) D7='1') '0' =Increment, (Top to Bottom, when MADCTL (36h) D7='0')									
	MX	Column Address Order (MX)		'1' =Decrement, (Right to Left, when MADCTL (36h) D6='1') '0' =Increment, (Left to Right, when MADCTL (36h) D6='0')									
	MV	Row/Column Exchange (MV)		'1' = Row/column exchange, (when MADCTL (36h) D5='1') '0' = Normal, (when MADCTL (36h) D5='0')									
	ML	Scan Address Order (ML)		'0' =Decrement, (LCD refresh Top to Bottom, when MADCTL (36h) D4='0') '1' =Increment, (LCD refresh Bottom to Top, when MADCTL (36h) D4='1')									
	RGB	RGB/ BGR Order (RGB)		'1' =BGR, (When MADCTL (36h) D3='1') '0' =RGB, (When MADCTL (36h) D3='0')									
	MH	Horizontal Order		'0' =Decrement, (LCD refresh Left to Right, when MADCTL (36h) D2='0') '1' =Increment, (LCD refresh Right to Left, when MADCTL (36h) D2='1')									
	ST24	For Future Use		'0'									
	ST23	For Future Use		'0'									
	IFPF2	Interface Color Pixel Format Definition		"011" = 12-bit / pixel,									
	IFPF1			"101" = 16-bit / pixel,									
	IFPF0			"110" = 18-bit / pixel, "111" = 16M truncated, others are not defined.									
	IDMON	Idle Mode On/Off		'1' = On, "0" = Off									
PTLON	Partial Mode On/Off		'1' = On, "0" = Off										
SLPOUT	Sleep In/Out		'1' = Out, "0" = In										

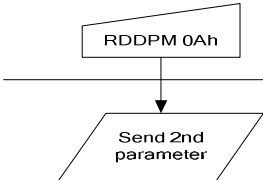
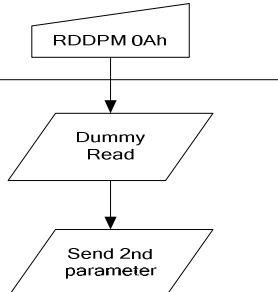


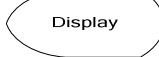

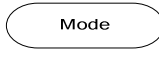



	NORON	Display Normal Mode On/Off	'1' = Normal Display, '0' = Partial Display																									
	ST15	Vertical Scrolling Status (Not Used)	'1' = Scroll on, "0" = Scroll off																									
	ST14	Horizontal Scroll Status (Not Used)	'0'																									
	INVON	Inversion Status	'1' = On, "0" = Off																									
	ST12	All Pixels On (Not Used)	'0'																									
	ST11	All Pixels Off (Not Used)	'0'																									
	DISON	Display On/Off	'1' = On, "0" = Off																									
	TEON	Tearing effect line on/off	'1' = On, "0" = Off																									
	GCSEL2	Gamma Curve Selection	"000" = GC0																									
	GCSEL1		"001" = GC1																									
	GCSELO		"010" = GC2																									
			"011" = GC3																									
			"100" to "111" = Not defined																									
	TEM	Tearing effect line mode	'0' = mode1, '1' = mode2																									
	ST4	For Future Use	'0'																									
	ST3	For Future Use	'0'																									
	ST2	For Future Use	'0'																									
	ST1	For Future Use	'0'																									
	ST0	For Future Use	'0'																									
	"- " Don't care																											
Restriction																												
Register availability	<table border="1"> <thead> <tr> <th>Status</th> <th>Availability</th> </tr> </thead> <tbody> <tr> <td>Normal Mode On, Idle Mode Off, Sleep Out</td> <td>Yes</td> </tr> <tr> <td>Normal Mode On, Idle Mode On, Sleep Out</td> <td>Yes</td> </tr> <tr> <td>Partial Mode On, Idle Mode Off, Sleep Out</td> <td>Yes</td> </tr> <tr> <td>Partial Mode On, Idle Mode On, Sleep Out</td> <td>Yes</td> </tr> <tr> <td>Sleep In</td> <td>Yes</td> </tr> </tbody> </table>				Status	Availability	Normal Mode On, Idle Mode Off, Sleep Out	Yes	Normal Mode On, Idle Mode On, Sleep Out	Yes	Partial Mode On, Idle Mode Off, Sleep Out	Yes	Partial Mode On, Idle Mode On, Sleep Out	Yes	Sleep In	Yes												
Status	Availability																											
Normal Mode On, Idle Mode Off, Sleep Out	Yes																											
Normal Mode On, Idle Mode On, Sleep Out	Yes																											
Partial Mode On, Idle Mode Off, Sleep Out	Yes																											
Partial Mode On, Idle Mode On, Sleep Out	Yes																											
Sleep In	Yes																											
Default	<table border="1"> <thead> <tr> <th rowspan="2">Status</th> <th colspan="4">Default Value (ST31 to ST0)</th> </tr> <tr> <th>ST[31-24]</th> <th>ST[23-16]</th> <th>ST[15-8]</th> <th>ST[7-0]</th> </tr> </thead> <tbody> <tr> <td>Power On Sequence</td> <td>0000-0000</td> <td>0110-0001</td> <td>0000-0000</td> <td>0000-0000</td> </tr> <tr> <td>S/W Reset</td> <td>0xxx-xx00</td> <td>0xxx-0001</td> <td>0000-0000</td> <td>0000-0000</td> </tr> <tr> <td>H/W Reset</td> <td>0000-0000</td> <td>0110-0001</td> <td>0000-0000</td> <td>0000-0000</td> </tr> </tbody> </table>				Status	Default Value (ST31 to ST0)				ST[31-24]	ST[23-16]	ST[15-8]	ST[7-0]	Power On Sequence	0000-0000	0110-0001	0000-0000	0000-0000	S/W Reset	0xxx-xx00	0xxx-0001	0000-0000	0000-0000	H/W Reset	0000-0000	0110-0001	0000-0000	0000-0000
Status	Default Value (ST31 to ST0)																											
	ST[31-24]	ST[23-16]	ST[15-8]	ST[7-0]																								
Power On Sequence	0000-0000	0110-0001	0000-0000	0000-0000																								
S/W Reset	0xxx-xx00	0xxx-0001	0000-0000	0000-0000																								
H/W Reset	0000-0000	0110-0001	0000-0000	0000-0000																								



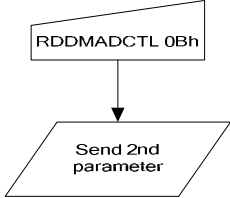
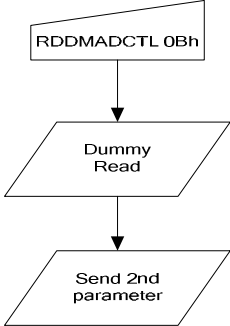




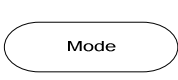
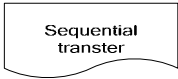
9.1.5 RDDPM (0Ah): Read Display Power Mode

0AH	RDDPM (Read Display Power Mode)												
Inst / Para	D/CX	WRX	RDX	D17-8	D7	D6	D5	D4	D3	D2	D1	D0	HEX
RDDPM	0	↑	1	-	0	0	0	0	1	0	1	0	(0Ah)
1 <sup>st</sup> parameter	1	1	↑	-	-	-	-	-	-	-	-	-	-
2 <sup>nd</sup> parameter	1	1	↑	-	BSTON	IDMON	PTLON	SLPOUT	NORON	DISON	D1	D0	
Description	This command indicates the current status of the display as described in the table below:												
	Bit		Description							Value			
	BSTON		Booster Voltage Status							‘1’ =Booster on, ‘0’ =Booster off			
	IDMON		Idle mode on/off							‘1’ = Idle Mode On, ‘0’ = Idle Mode Off			
	PTLON		Partial mode on/off							‘1’ =Partial mode on, ‘0’ =Partial mode off,			
	SLPOUT		Sleep in/out							‘1’ =Sleep out, ‘0’ =Sleep in,			
	NORON		Display normal mode on/off							‘1’ = Normal display, ‘0’ = Partial display,			
	DISON		Display on/off							‘1’ =Display on, ‘0’ =Display off,			
	D1		Not Used							“0”			
	D0		Not Used							“0”			
“-“ Don't care													
Restriction													
Register availability	Status						Availability						
	Normal Mode On, Idle Mode Off, Sleep Out						Yes						
	Normal Mode On, Idle Mode On, Sleep Out						Yes						
	Partial Mode On, Idle Mode Off, Sleep Out						Yes						
	Partial Mode On, Idle Mode On, Sleep Out						Yes						
	Sleep In						Yes						

<p>Default</p>	<table border="1"> <thead> <tr> <th>Status</th> <th>Default Value (D7 to D0)</th> </tr> </thead> <tbody> <tr> <td>Power On Sequence</td> <td>0000-1000(08h)</td> </tr> <tr> <td>S/W Reset</td> <td>0000-1000(08h)</td> </tr> <tr> <td>H/W Reset</td> <td>0000-1000(08h)</td> </tr> </tbody> </table>	Status	Default Value (D7 to D0)	Power On Sequence	0000-1000(08h)	S/W Reset	0000-1000(08h)	H/W Reset	0000-1000(08h)
Status	Default Value (D7 to D0)								
Power On Sequence	0000-1000(08h)								
S/W Reset	0000-1000(08h)								
H/W Reset	0000-1000(08h)								
<p>Flow Chart</p>	<div style="display: flex; justify-content: space-around; align-items: flex-start;"> <div style="text-align: center;"> <p>Serial I/F Mode</p>  </div> <div style="text-align: center;"> <p>Parallel I/F Mode</p>  </div> <div style="border: 1px dashed black; padding: 5px;"> <p><b>Legend</b></p> <ul style="list-style-type: none"> <li> Command</li> <li> Parameter</li> <li> Display</li> <li> Action</li> <li> Mode</li> <li> Sequential transfer</li> </ul> </div> </div>								

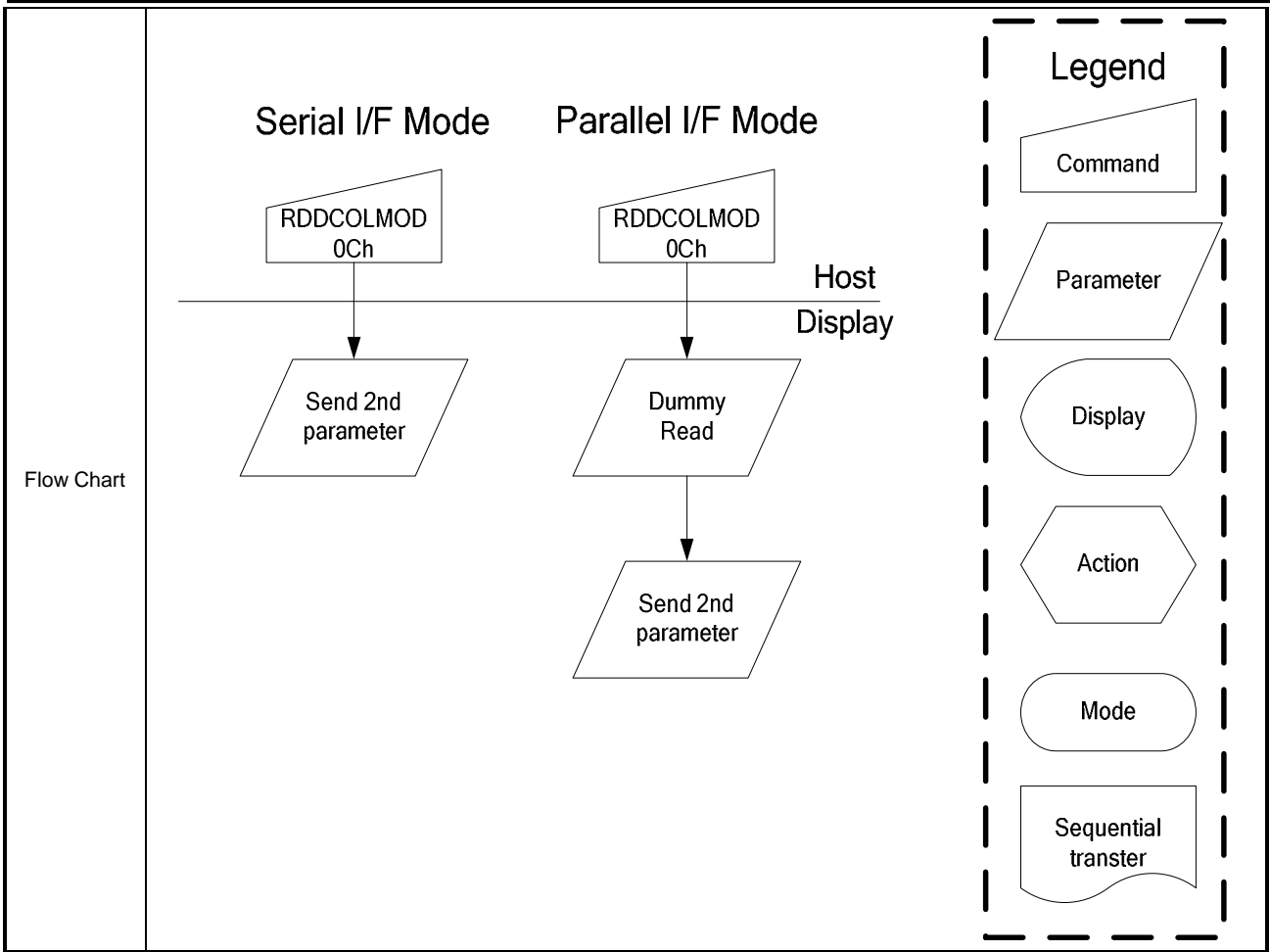
9.1.6 RDDMADCTL (0Bh): Read Display MADCTL

0BH	RDDMADCTL (Read Display MADCTL)												HEX												
Inst / Para	D/CX	WRX	RDX	D17-8	D7	D6	D5	D4	D3	D2	D1	D0	HEX												
RDDMADCTL	0	↑	1	-	0	0	0	0	1	0	1	1	(0Bh)												
1 <sup>st</sup> parameter	1	1	↑	-	-	-	-	-	-	-	-	-	-												
2 <sup>nd</sup> parameter	1	1	↑	-	MY	MX	MV	ML	RGB	MH	D1	D0													
Description	This command indicates the current status of the display as described in the table below:																								
	Bit	Description										Value													
	MY	Row Address Order (MY)										‘1’ =Decrement, (Bottom to Top, when MADCTL (36h) D7=‘1’) ‘0’ =Increment, (Top to Bottom, when MADCTL (36h) D7=‘0’)													
	MX	Column Address Order (MX)										‘1’ =Decrement, (Right to Left, when MADCTL (36h) D6=‘1’) ‘0’ =Increment, (Left to Right, when MADCTL (36h) D6=‘1’)													
	MV	Row/Column Exchange (MV)										‘1’ = Row/column exchange, (when MADCTL (36h) D5=‘1’) ‘0’ = Normal, (when MADCTL (36h) D5=‘0’)													
	ML	Scan Address Order (ML)										‘0’ =Decrement, (LCD refresh Top to Bottom, when MADCTL (36h) D4=‘0’) ‘1’=Increment, (LCD refresh Bottom to Top, when MADCTL (36h) D4=‘1’)													
	RGB	RGB/ BGR Order (RGB)										‘1’ =BGR, (When MADCTL (36h) D3=‘1’) ‘0’ =RGB, (When MADCTL (36h) D3=‘0’)													
	MH	Horizontal Order										‘0’ =Decrement, (LCD refresh Left to Right, when MADCTL (36h) D2=‘0’) ‘1’ =Increment, (LCD refresh Right to Left, when MADCTL (36h) D2=‘1’)													
	D1	Not used										‘0’													
	D0	Not used										‘0’													
“-“ Don't care																									
Restriction																									
Register availability	<table border="1"> <thead> <tr> <th>Status</th> <th>Availability</th> </tr> </thead> <tbody> <tr> <td>Normal Mode On, Idle Mode Off, Sleep Out</td> <td>Yes</td> </tr> <tr> <td>Normal Mode On, Idle Mode On, Sleep Out</td> <td>Yes</td> </tr> <tr> <td>Partial Mode On, Idle Mode Off, Sleep Out</td> <td>Yes</td> </tr> <tr> <td>Partial Mode On, Idle Mode On, Sleep Out</td> <td>Yes</td> </tr> <tr> <td>Sleep In</td> <td>Yes</td> </tr> </tbody> </table>													Status	Availability	Normal Mode On, Idle Mode Off, Sleep Out	Yes	Normal Mode On, Idle Mode On, Sleep Out	Yes	Partial Mode On, Idle Mode Off, Sleep Out	Yes	Partial Mode On, Idle Mode On, Sleep Out	Yes	Sleep In	Yes
	Status	Availability																							
	Normal Mode On, Idle Mode Off, Sleep Out	Yes																							
	Normal Mode On, Idle Mode On, Sleep Out	Yes																							
	Partial Mode On, Idle Mode Off, Sleep Out	Yes																							
	Partial Mode On, Idle Mode On, Sleep Out	Yes																							
Sleep In	Yes																								

<p>Default</p>	<table border="1"> <thead> <tr> <th data-bbox="438 230 879 282">Status</th> <th data-bbox="879 230 1297 282">Default Value (D7 to D0)</th> </tr> </thead> <tbody> <tr> <td data-bbox="438 282 879 333">Power On Sequence</td> <td data-bbox="879 282 1297 333">0000-0000 (00h)</td> </tr> <tr> <td data-bbox="438 333 879 385">S/W Reset</td> <td data-bbox="879 333 1297 385">No change</td> </tr> <tr> <td data-bbox="438 385 879 436">H/W Reset</td> <td data-bbox="879 385 1297 436">0000-0000 (00h)</td> </tr> </tbody> </table>	Status	Default Value (D7 to D0)	Power On Sequence	0000-0000 (00h)	S/W Reset	No change	H/W Reset	0000-0000 (00h)
Status	Default Value (D7 to D0)								
Power On Sequence	0000-0000 (00h)								
S/W Reset	No change								
H/W Reset	0000-0000 (00h)								
<p>Flow Chart</p>	<div style="display: flex; justify-content: space-around;"> <div style="text-align: center;"> <p><b>Serial I/F Mode</b></p>  </div> <div style="text-align: center;"> <p><b>Parallel I/F Mode</b></p>  </div> </div> <div style="text-align: right; border: 1px dashed black; padding: 5px; margin-top: 20px;"> <p><b>Legend</b></p> <ul style="list-style-type: none"> <li> Command</li> <li> Parameter</li> <li> Display</li> <li> Action</li> <li> Mode</li> <li> Sequential transfer</li> </ul> </div>								

9.1.7 RDDCOLMOD (0Ch): Read Display Pixel Format

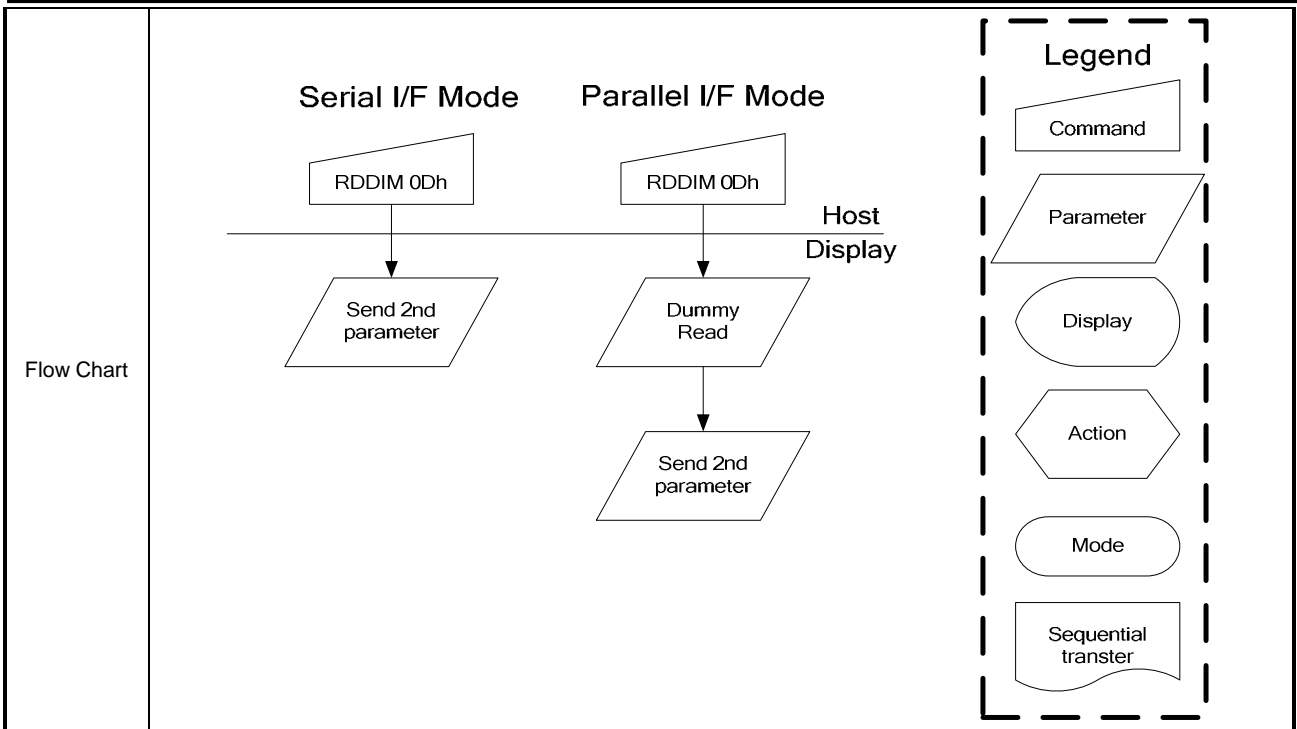
0Ch	RDDCOLMOD (Read Display Pixel Format)												
Inst / Para	D/CX	WRX	RDX	D17-8	D7	D6	D5	D4	D3	D2	D1	D0	HEX
RDDCOLMOD	0	↑	1	-	0	0	0	0	1	1	0	0	(0Ch)
1 <sup>st</sup> parameter	1	1	↑	-	-	-	-	-	-	-	-	-	-
2 <sup>nd</sup> parameter	1	1	↑	-	0	D6	D5	D4	0	D2	D1	D0	
Description	This command indicates the current status of the display as described in the table below:												
	Bit		Description									Value	
	D7		-									Set to '0'	
	D6		RGB interface color format									'101' = 16 bit/pixel	
	D5												
	D4											'110' = 18 bit/pixel	
	D3		-										
	D2		Control interface color format									'101' = 16 bit/pixel	
	D1												
	D0											'110' = 18 bit/pixel	
Others are no define and invalid													
"- " Don't care													
Restriction													
Register availability	Status					Availability							
	Normal Mode On, Idle Mode Off, Sleep Out					Yes							
	Normal Mode On, Idle Mode On, Sleep Out					Yes							
	Partial Mode On, Idle Mode Off, Sleep Out					Yes							
	Partial Mode On, Idle Mode On, Sleep Out					Yes							
	Sleep In					Yes							
Default	Status					Default Value							
	Power On Sequence					0000-0110 (18 bit/pixel)							
	S/W Reset					No change							
	H/W Reset					0000-0110 (18 bit/pixel)							





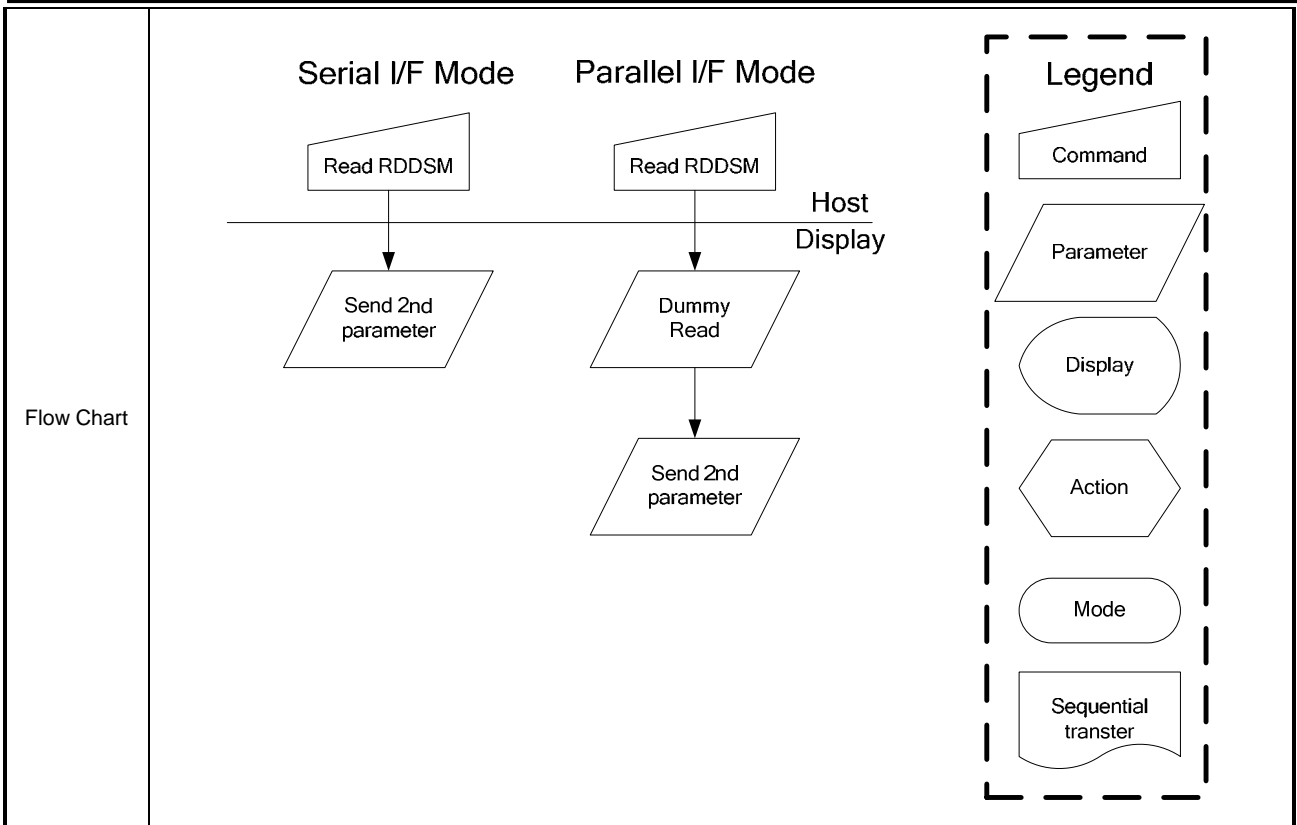
9.1.8 RDDIM (0Dh): Read Display Image Mode

0DH	RDDIM (Read Display Image Mode)																																																									
Inst / Para	D/CX	WRX	RDX	D17-8	D7	D6	D5	D4	D3	D2	D1	D0	HEX																																													
RDDIM	0	↑	1	-	0	0	0	0	1	1	0	1	(0Dh)																																													
1 <sup>st</sup> parameter	1	1	↑	-	-	-	-	-	-	-	-	-	-																																													
2 <sup>nd</sup> parameter	1	1	↑	-	VSSON	0	INVON	0	0	GC2	GC1	GC0																																														
Description	This command indicates the current status of the display as described in the table below: -VSSON: Vertical scrolling on/off -INVON: Inversion on/off																																																									
	<table border="1"> <thead> <tr> <th>Gamma Curve Selection</th> <th>GC2</th> <th>GC1</th> <th>GC0</th> <th>Gamma set (26h) Parameter</th> </tr> </thead> <tbody> <tr> <td>Gamma curve 1</td> <td>0</td> <td>0</td> <td>0</td> <td>GC0</td> </tr> <tr> <td>Gamma curve 2</td> <td>0</td> <td>0</td> <td>1</td> <td>GC1</td> </tr> <tr> <td>Gamma curve 3</td> <td>0</td> <td>1</td> <td>0</td> <td>GC2</td> </tr> <tr> <td>Gamma curve 4</td> <td>0</td> <td>1</td> <td>1</td> <td>GC3</td> </tr> <tr> <td>Not Defined</td> <td>1</td> <td>0</td> <td>0</td> <td>Not Defined</td> </tr> <tr> <td>Not Defined</td> <td>1</td> <td>0</td> <td>1</td> <td>Not Defined</td> </tr> <tr> <td>Not Defined</td> <td>1</td> <td>1</td> <td>0</td> <td>Not Defined</td> </tr> <tr> <td>Not Defined</td> <td>1</td> <td>1</td> <td>1</td> <td>Not Defined</td> </tr> </tbody> </table>													Gamma Curve Selection	GC2	GC1	GC0	Gamma set (26h) Parameter	Gamma curve 1	0	0	0	GC0	Gamma curve 2	0	0	1	GC1	Gamma curve 3	0	1	0	GC2	Gamma curve 4	0	1	1	GC3	Not Defined	1	0	0	Not Defined	Not Defined	1	0	1	Not Defined	Not Defined	1	1	0	Not Defined	Not Defined	1	1	1	Not Defined
	Gamma Curve Selection	GC2	GC1	GC0	Gamma set (26h) Parameter																																																					
	Gamma curve 1	0	0	0	GC0																																																					
	Gamma curve 2	0	0	1	GC1																																																					
	Gamma curve 3	0	1	0	GC2																																																					
	Gamma curve 4	0	1	1	GC3																																																					
	Not Defined	1	0	0	Not Defined																																																					
	Not Defined	1	0	1	Not Defined																																																					
	Not Defined	1	1	0	Not Defined																																																					
Not Defined	1	1	1	Not Defined																																																						
Others are no define and invalid																																																										
“-“ Don't care																																																										
Restriction																																																										
Register availability	<table border="1"> <thead> <tr> <th>Status</th> <th>Availability</th> </tr> </thead> <tbody> <tr> <td>Normal Mode On, Idle Mode Off, Sleep Out</td> <td>Yes</td> </tr> <tr> <td>Normal Mode On, Idle Mode On, Sleep Out</td> <td>Yes</td> </tr> <tr> <td>Partial Mode On, Idle Mode Off, Sleep Out</td> <td>Yes</td> </tr> <tr> <td>Partial Mode On, Idle Mode On, Sleep Out</td> <td>Yes</td> </tr> <tr> <td>Sleep In</td> <td>Yes</td> </tr> </tbody> </table>													Status	Availability	Normal Mode On, Idle Mode Off, Sleep Out	Yes	Normal Mode On, Idle Mode On, Sleep Out	Yes	Partial Mode On, Idle Mode Off, Sleep Out	Yes	Partial Mode On, Idle Mode On, Sleep Out	Yes	Sleep In	Yes																																	
	Status	Availability																																																								
	Normal Mode On, Idle Mode Off, Sleep Out	Yes																																																								
	Normal Mode On, Idle Mode On, Sleep Out	Yes																																																								
	Partial Mode On, Idle Mode Off, Sleep Out	Yes																																																								
	Partial Mode On, Idle Mode On, Sleep Out	Yes																																																								
Sleep In	Yes																																																									
Default	<table border="1"> <thead> <tr> <th>Status</th> <th>Default Value</th> </tr> </thead> <tbody> <tr> <td>Power On Sequence</td> <td>0000-0000</td> </tr> <tr> <td>S/W Reset</td> <td>0000-0000</td> </tr> <tr> <td>H/W Reset</td> <td>0000-0000</td> </tr> </tbody> </table>													Status	Default Value	Power On Sequence	0000-0000	S/W Reset	0000-0000	H/W Reset	0000-0000																																					
	Status	Default Value																																																								
	Power On Sequence	0000-0000																																																								
	S/W Reset	0000-0000																																																								
H/W Reset	0000-0000																																																									



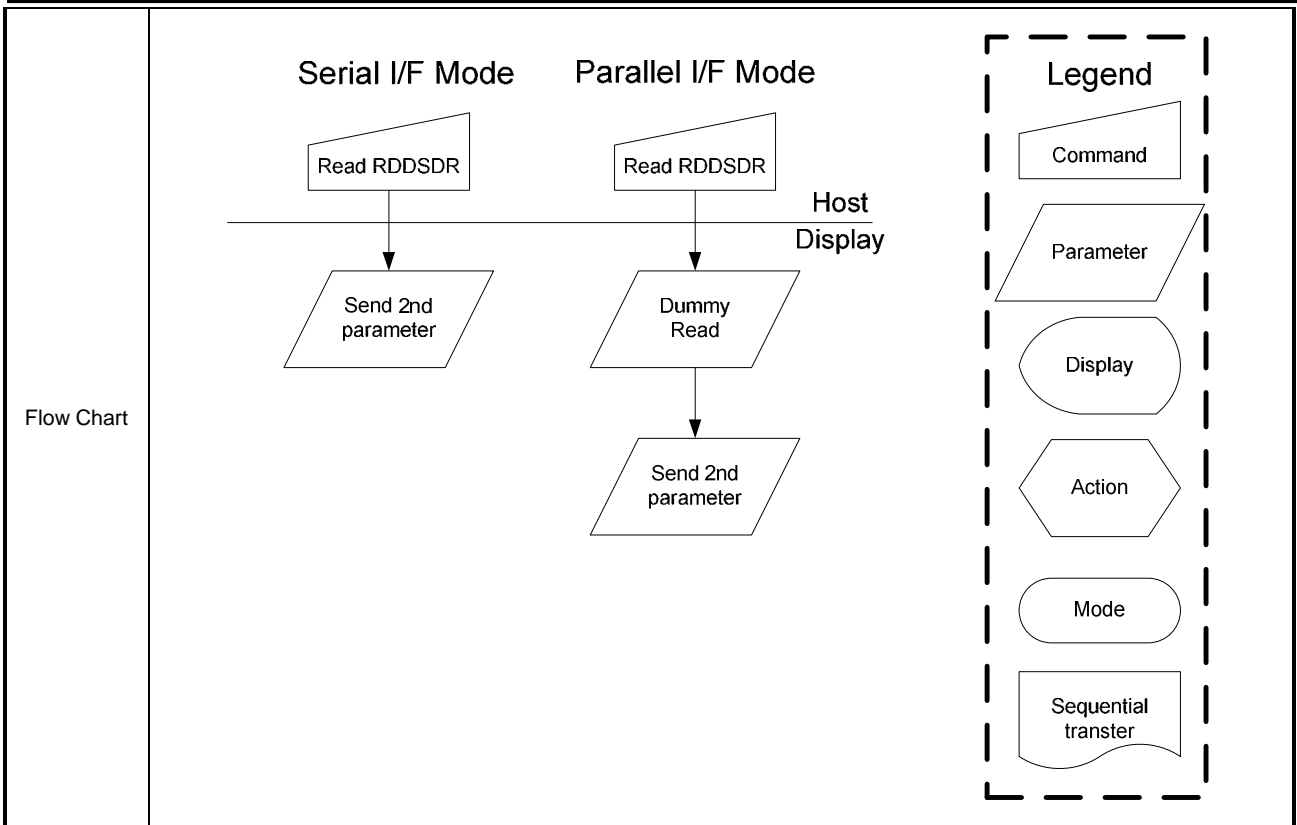
9.1.9 RDDSM (0Eh): Read Display Signal Mode

0EH	RDDSM (Read Display Signal Status)												HEX												
Inst / Para	D/CX	WRX	RDX	D17-8	D7	D6	D5	D4	D3	D2	D1	D0	HEX												
RDDSM	0	↑	1	-	0	0	0	0	1	1	1	0	(0Eh)												
1 <sup>st</sup> parameter	1	1	↑	-	-	-	-	-	-	-	-	-	-												
2 <sup>nd</sup> parameter	1	1	↑	-	TEON	TEM	0	0	0	0	0	0	-												
Description	This command indicates the current status of the display as described in the table below:																								
	<table border="1"> <thead> <tr> <th>Bit</th> <th>Description</th> <th>Value</th> </tr> </thead> <tbody> <tr> <td>TEON</td> <td>Tearing effect line on/off</td> <td>'1' = ON, '0' = OFF,</td> </tr> <tr> <td>TEM</td> <td>Tearing effect line mode</td> <td>'1' = mode2, '0' = mode1,</td> </tr> </tbody> </table>													Bit	Description	Value	TEON	Tearing effect line on/off	'1' = ON, '0' = OFF,	TEM	Tearing effect line mode	'1' = mode2, '0' = mode1,			
Bit	Description	Value																							
TEON	Tearing effect line on/off	'1' = ON, '0' = OFF,																							
TEM	Tearing effect line mode	'1' = mode2, '0' = mode1,																							
“-“ Don't care																									
Restriction																									
Register availability	<table border="1"> <thead> <tr> <th>Status</th> <th>Availability</th> </tr> </thead> <tbody> <tr> <td>Normal Mode On, Idle Mode Off, Sleep Out</td> <td>Yes</td> </tr> <tr> <td>Normal Mode On, Idle Mode On, Sleep Out</td> <td>Yes</td> </tr> <tr> <td>Partial Mode On, Idle Mode Off, Sleep Out</td> <td>Yes</td> </tr> <tr> <td>Partial Mode On, Idle Mode On, Sleep Out</td> <td>Yes</td> </tr> <tr> <td>Sleep In</td> <td>Yes</td> </tr> </tbody> </table>													Status	Availability	Normal Mode On, Idle Mode Off, Sleep Out	Yes	Normal Mode On, Idle Mode On, Sleep Out	Yes	Partial Mode On, Idle Mode Off, Sleep Out	Yes	Partial Mode On, Idle Mode On, Sleep Out	Yes	Sleep In	Yes
	Status	Availability																							
Normal Mode On, Idle Mode Off, Sleep Out	Yes																								
Normal Mode On, Idle Mode On, Sleep Out	Yes																								
Partial Mode On, Idle Mode Off, Sleep Out	Yes																								
Partial Mode On, Idle Mode On, Sleep Out	Yes																								
Sleep In	Yes																								
Default	<table border="1"> <thead> <tr> <th>Status</th> <th>Default Value</th> </tr> </thead> <tbody> <tr> <td>Power On Sequence</td> <td>0000-0000</td> </tr> <tr> <td>S/W Reset</td> <td>0000-0000</td> </tr> <tr> <td>H/W Reset</td> <td>0000-0000</td> </tr> </tbody> </table>													Status	Default Value	Power On Sequence	0000-0000	S/W Reset	0000-0000	H/W Reset	0000-0000				
Status	Default Value																								
Power On Sequence	0000-0000																								
S/W Reset	0000-0000																								
H/W Reset	0000-0000																								



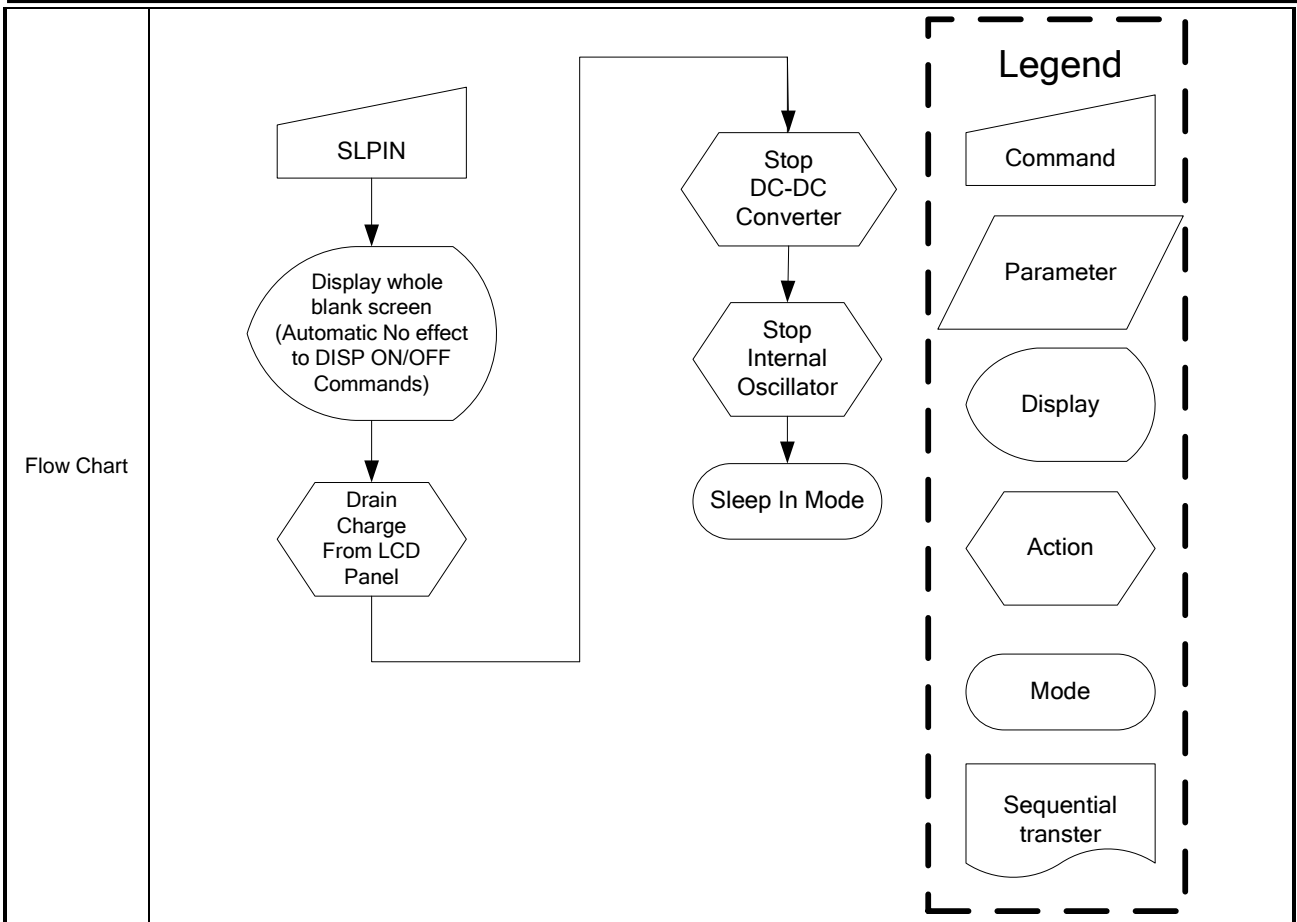
9.1.10 RDDSDR (0Fh): Read Display Self-Diagnostic Result

09H	RDDSDR (Read Display Self-Diagnostic Result)																								
Inst / Para	D/CX	WRX	RDX	D17-8	D7	D6	D5	D4	D3	D2	D1	D0	HEX												
RDDSDR	0	↑	1	-	0	0	0	0	1	1	1	1	(0Fh)												
1 <sup>st</sup> parameter	1	1	↑	-	-	-	-	-	-	-	-	-	-												
2 <sup>nd</sup> parameter	1	1	↑	-	D7	D6	0	0	0	0	0	0	-												
Description	This command indicates the current status of the display self-diagnostic result after sleep out command as described below: -D7: Register loading detection -D6: Functionality detection "-“ Don't care																								
Restriction																									
Register availability	<table border="1"> <thead> <tr> <th>Status</th> <th>Availability</th> </tr> </thead> <tbody> <tr> <td>Normal Mode On, Idle Mode Off, Sleep Out</td> <td>Yes</td> </tr> <tr> <td>Normal Mode On, Idle Mode On, Sleep Out</td> <td>Yes</td> </tr> <tr> <td>Partial Mode On, Idle Mode Off, Sleep Out</td> <td>Yes</td> </tr> <tr> <td>Partial Mode On, Idle Mode On, Sleep Out</td> <td>Yes</td> </tr> <tr> <td>Sleep In</td> <td>Yes</td> </tr> </tbody> </table>													Status	Availability	Normal Mode On, Idle Mode Off, Sleep Out	Yes	Normal Mode On, Idle Mode On, Sleep Out	Yes	Partial Mode On, Idle Mode Off, Sleep Out	Yes	Partial Mode On, Idle Mode On, Sleep Out	Yes	Sleep In	Yes
Status	Availability																								
Normal Mode On, Idle Mode Off, Sleep Out	Yes																								
Normal Mode On, Idle Mode On, Sleep Out	Yes																								
Partial Mode On, Idle Mode Off, Sleep Out	Yes																								
Partial Mode On, Idle Mode On, Sleep Out	Yes																								
Sleep In	Yes																								
Default	<table border="1"> <thead> <tr> <th>Status</th> <th>Default Value</th> </tr> </thead> <tbody> <tr> <td>Power On Sequence</td> <td>0000-0000</td> </tr> <tr> <td>S/W Reset</td> <td>0000-0000</td> </tr> <tr> <td>H/W Reset</td> <td>0000-0000</td> </tr> </tbody> </table>													Status	Default Value	Power On Sequence	0000-0000	S/W Reset	0000-0000	H/W Reset	0000-0000				
Status	Default Value																								
Power On Sequence	0000-0000																								
S/W Reset	0000-0000																								
H/W Reset	0000-0000																								



9.1.11 SLPIN (10h): Sleep in

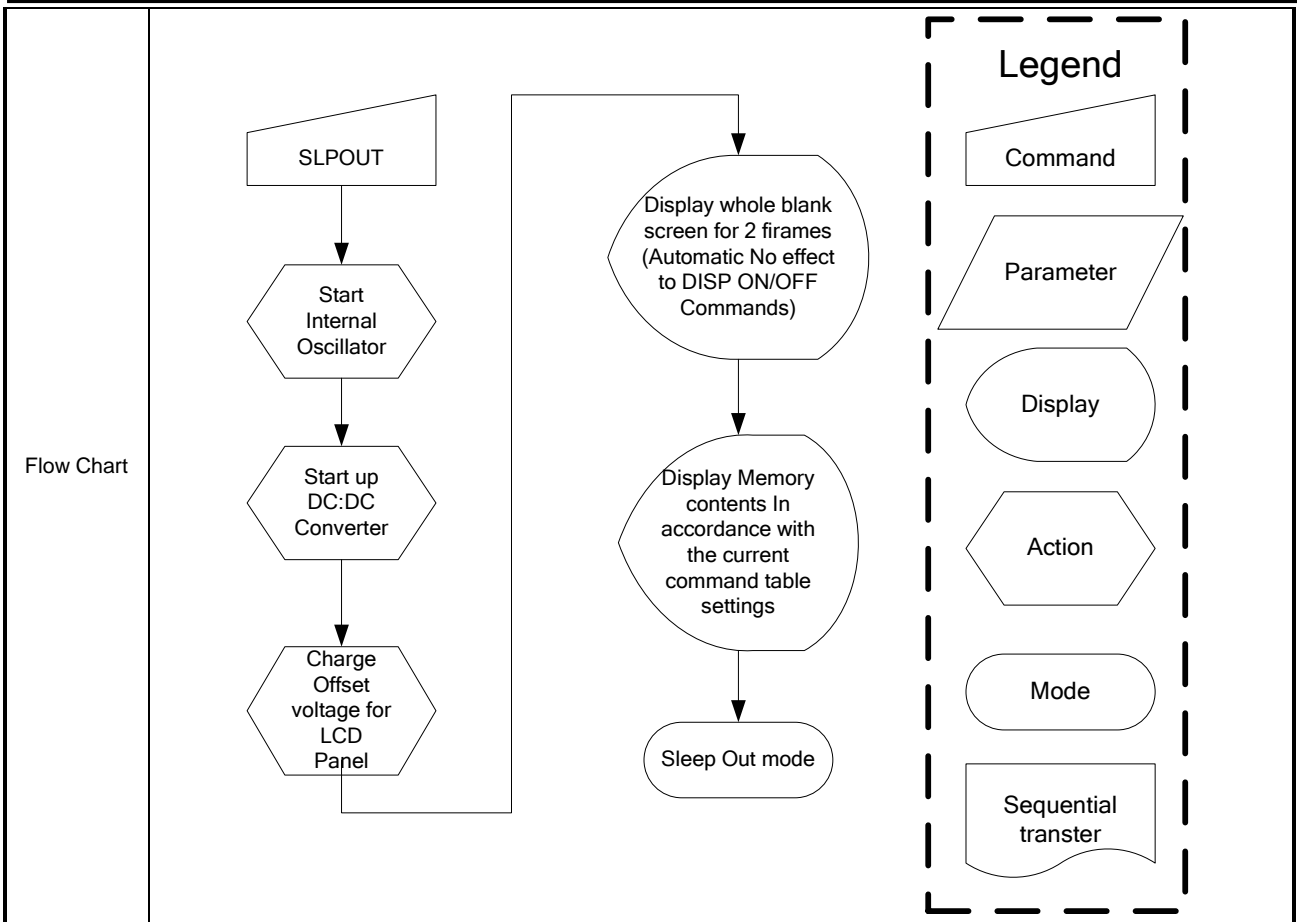
10H	SLPIN (Sleep In)																								
Inst / Para	D/CX	WRX	RDX	D17-8	D7	D6	D5	D4	D3	D2	D1	D0	HEX												
SLPIN	0	↑	1	-	0	0	0	1	0	0	0	0	(10h)												
parameter	No Parameter																								
Description	-This command causes the LCD module to enter the minimum power consumption mode. -In this mode the DC/DC converter is stopped, internal oscillator is stopped, and panel scanning is stopped. -MCU interface and memory are still working and the memory keeps its contents. "- Don't care																								
Restriction	-This command has no effect when module is already in sleep in mode. Sleep in mode can only be left by the sleep out command (11h). -It will be necessary to wait 5msec before sending any new commands to a display module following this command to allow time for the supply voltages and clock circuits to stabilize. -It will be necessary to wait 120msec after sending sleep out command (when in sleep in mode) before sending an sleep in command.																								
Register availability	<table border="1"> <thead> <tr> <th>Status</th> <th>Availability</th> </tr> </thead> <tbody> <tr> <td>Normal Mode On, Idle Mode Off, Sleep Out</td> <td>Yes</td> </tr> <tr> <td>Normal Mode On, Idle Mode On, Sleep Out</td> <td>Yes</td> </tr> <tr> <td>Partial Mode On, Idle Mode Off, Sleep Out</td> <td>Yes</td> </tr> <tr> <td>Partial Mode On, Idle Mode On, Sleep Out</td> <td>Yes</td> </tr> <tr> <td>Sleep In</td> <td>Yes</td> </tr> </tbody> </table>													Status	Availability	Normal Mode On, Idle Mode Off, Sleep Out	Yes	Normal Mode On, Idle Mode On, Sleep Out	Yes	Partial Mode On, Idle Mode Off, Sleep Out	Yes	Partial Mode On, Idle Mode On, Sleep Out	Yes	Sleep In	Yes
Status	Availability																								
Normal Mode On, Idle Mode Off, Sleep Out	Yes																								
Normal Mode On, Idle Mode On, Sleep Out	Yes																								
Partial Mode On, Idle Mode Off, Sleep Out	Yes																								
Partial Mode On, Idle Mode On, Sleep Out	Yes																								
Sleep In	Yes																								
Default	<table border="1"> <thead> <tr> <th>Status</th> <th>Default Value</th> </tr> </thead> <tbody> <tr> <td>Power On Sequence</td> <td>Sleep in mode</td> </tr> <tr> <td>S/W Reset</td> <td>Sleep in mode</td> </tr> <tr> <td>H/W Reset</td> <td>Sleep in mode</td> </tr> </tbody> </table>													Status	Default Value	Power On Sequence	Sleep in mode	S/W Reset	Sleep in mode	H/W Reset	Sleep in mode				
Status	Default Value																								
Power On Sequence	Sleep in mode																								
S/W Reset	Sleep in mode																								
H/W Reset	Sleep in mode																								





9.1.12 SLPOUT (11h): Sleep Out

11H	SLPOUT (Sleep Out)																								
Inst / Para	D/CX	WRX	RDX	D17-8	D7	D6	D5	D4	D3	D2	D1	D0	HEX												
SLPOUT	0	↑	1	-	0	0	0	1	0	0	0	1	(11h)												
parameter	No Parameter																								
Description	-This command turn off sleep mode. -In this mode the DC/DC converter is enable, internal display oscillator is started, and panel scanning is started.																								
Restriction	-This command has no effect when module is already in sleep out mode. Sleep out mode can only be left by the sleep in command (10h). -It will be necessary to wait 5msec before sending any new commands to a display module following this command to allow time for the supply voltages and clock circuits to stabilize. -It will be necessary to wait 120msec after sending sleep out command (when in sleep in mode) before sending an sleep in command. -The display module runs the self-diagnostic functions after this command is received.																								
Register availability	<table border="1" style="margin-left: auto; margin-right: auto;"> <thead> <tr> <th>Status</th> <th>Availability</th> </tr> </thead> <tbody> <tr> <td>Normal Mode On, Idle Mode Off, Sleep Out</td> <td>Yes</td> </tr> <tr> <td>Normal Mode On, Idle Mode On, Sleep Out</td> <td>Yes</td> </tr> <tr> <td>Partial Mode On, Idle Mode Off, Sleep Out</td> <td>Yes</td> </tr> <tr> <td>Partial Mode On, Idle Mode On, Sleep Out</td> <td>Yes</td> </tr> <tr> <td>Sleep In</td> <td>Yes</td> </tr> </tbody> </table>													Status	Availability	Normal Mode On, Idle Mode Off, Sleep Out	Yes	Normal Mode On, Idle Mode On, Sleep Out	Yes	Partial Mode On, Idle Mode Off, Sleep Out	Yes	Partial Mode On, Idle Mode On, Sleep Out	Yes	Sleep In	Yes
Status	Availability																								
Normal Mode On, Idle Mode Off, Sleep Out	Yes																								
Normal Mode On, Idle Mode On, Sleep Out	Yes																								
Partial Mode On, Idle Mode Off, Sleep Out	Yes																								
Partial Mode On, Idle Mode On, Sleep Out	Yes																								
Sleep In	Yes																								
Default	<table border="1" style="margin-left: auto; margin-right: auto;"> <thead> <tr> <th>Status</th> <th>Default Value</th> </tr> </thead> <tbody> <tr> <td>Power On Sequence</td> <td>Sleep in mode</td> </tr> <tr> <td>S/W Reset</td> <td>Sleep in mode</td> </tr> <tr> <td>H/W Reset</td> <td>Sleep in mode</td> </tr> </tbody> </table>													Status	Default Value	Power On Sequence	Sleep in mode	S/W Reset	Sleep in mode	H/W Reset	Sleep in mode				
Status	Default Value																								
Power On Sequence	Sleep in mode																								
S/W Reset	Sleep in mode																								
H/W Reset	Sleep in mode																								



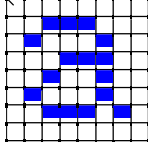
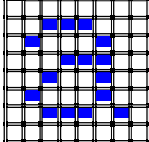
9.1.13 PTLON (12h): Partial Display Mode On

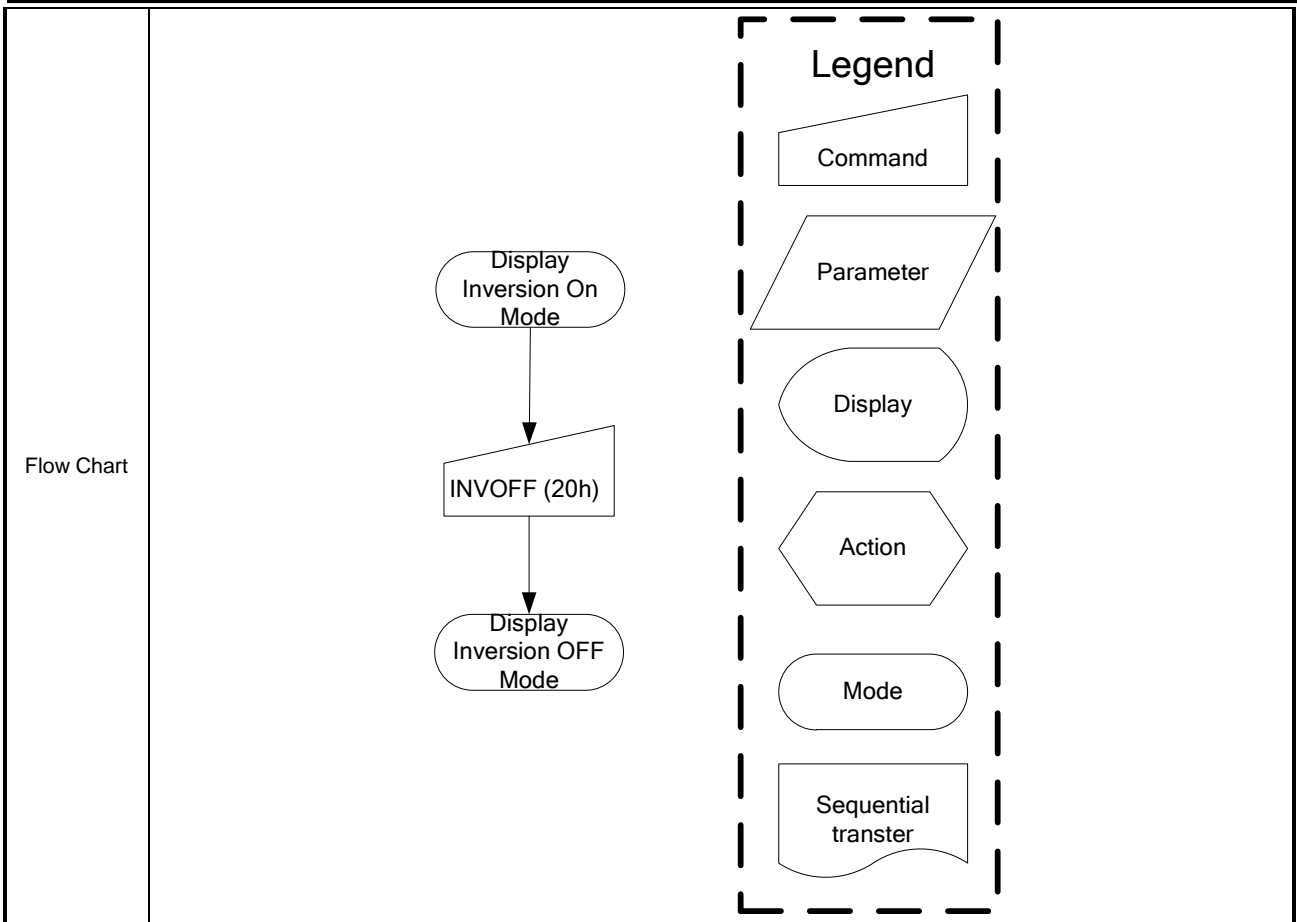
12H	PTLON (Partial Display Mode On)																								
Inst / Para	D/CX	WRX	RDX	D17-8	D7	D6	D5	D4	D3	D2	D1	D0	HEX												
PTLON	0	↑	1	-	0	0	0	1	0	0	1	0	(12h)												
parameter	No Parameter																								
Description	-This command turns on Partial mode. The partial mode window is described by the Partial Area command (30h) -To leave Partial mode, the Normal Display Mode On command (13h) should be written. "-" Don't care																								
Restriction	This command has no effect when partial mode is active.																								
Register availability	<table border="1"> <thead> <tr> <th>Status</th> <th>Availability</th> </tr> </thead> <tbody> <tr> <td>Normal Mode On, Idle Mode Off, Sleep Out</td> <td>Yes</td> </tr> <tr> <td>Normal Mode On, Idle Mode On, Sleep Out</td> <td>Yes</td> </tr> <tr> <td>Partial Mode On, Idle Mode Off, Sleep Out</td> <td>Yes</td> </tr> <tr> <td>Partial Mode On, Idle Mode On, Sleep Out</td> <td>Yes</td> </tr> <tr> <td>Sleep In</td> <td>Yes</td> </tr> </tbody> </table>													Status	Availability	Normal Mode On, Idle Mode Off, Sleep Out	Yes	Normal Mode On, Idle Mode On, Sleep Out	Yes	Partial Mode On, Idle Mode Off, Sleep Out	Yes	Partial Mode On, Idle Mode On, Sleep Out	Yes	Sleep In	Yes
Status	Availability																								
Normal Mode On, Idle Mode Off, Sleep Out	Yes																								
Normal Mode On, Idle Mode On, Sleep Out	Yes																								
Partial Mode On, Idle Mode Off, Sleep Out	Yes																								
Partial Mode On, Idle Mode On, Sleep Out	Yes																								
Sleep In	Yes																								
Default	<table border="1"> <thead> <tr> <th>Status</th> <th>Default Value</th> </tr> </thead> <tbody> <tr> <td>Power On Sequence</td> <td>Normal display mode on</td> </tr> <tr> <td>S/W Reset</td> <td>Normal display mode on</td> </tr> <tr> <td>H/W Reset</td> <td>Normal display mode on</td> </tr> </tbody> </table>													Status	Default Value	Power On Sequence	Normal display mode on	S/W Reset	Normal display mode on	H/W Reset	Normal display mode on				
Status	Default Value																								
Power On Sequence	Normal display mode on																								
S/W Reset	Normal display mode on																								
H/W Reset	Normal display mode on																								
Flow Chart	See Partial Area (30h)																								

9.1.14 NORON (13h): Normal Display Mode On

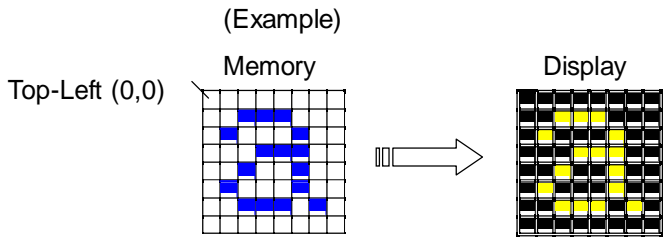
12H	NORON (Normal Display Mode On)																								
Inst / Para	D/CX	WRX	RDX	D17-8	D7	D6	D5	D4	D3	D2	D1	D0	HEX												
NORON	0	↑	1	-	0	0	0	1	0	0	1	1	(13h)												
parameter	No Parameter																								
Description	-This command turns the display to normal mode. -Normal display mode on means partial mode off. -Exit from NORON by the partial mode on command. "-" Don't care																								
Restriction	This command has no effect when normal display mode is active.																								
Register availability	<table border="1"> <thead> <tr> <th>Status</th> <th>Availability</th> </tr> </thead> <tbody> <tr> <td>Normal Mode On, Idle Mode Off, Sleep Out</td> <td>Yes</td> </tr> <tr> <td>Normal Mode On, Idle Mode On, Sleep Out</td> <td>Yes</td> </tr> <tr> <td>Partial Mode On, Idle Mode Off, Sleep Out</td> <td>Yes</td> </tr> <tr> <td>Partial Mode On, Idle Mode On, Sleep Out</td> <td>Yes</td> </tr> <tr> <td>Sleep In</td> <td>Yes</td> </tr> </tbody> </table>													Status	Availability	Normal Mode On, Idle Mode Off, Sleep Out	Yes	Normal Mode On, Idle Mode On, Sleep Out	Yes	Partial Mode On, Idle Mode Off, Sleep Out	Yes	Partial Mode On, Idle Mode On, Sleep Out	Yes	Sleep In	Yes
Status	Availability																								
Normal Mode On, Idle Mode Off, Sleep Out	Yes																								
Normal Mode On, Idle Mode On, Sleep Out	Yes																								
Partial Mode On, Idle Mode Off, Sleep Out	Yes																								
Partial Mode On, Idle Mode On, Sleep Out	Yes																								
Sleep In	Yes																								
Default	<table border="1"> <thead> <tr> <th>Status</th> <th>Default Value</th> </tr> </thead> <tbody> <tr> <td>Power On Sequence</td> <td>Normal display mode on</td> </tr> <tr> <td>S/W Reset</td> <td>Normal display mode on</td> </tr> <tr> <td>H/W Reset</td> <td>Normal display mode on</td> </tr> </tbody> </table>													Status	Default Value	Power On Sequence	Normal display mode on	S/W Reset	Normal display mode on	H/W Reset	Normal display mode on				
Status	Default Value																								
Power On Sequence	Normal display mode on																								
S/W Reset	Normal display mode on																								
H/W Reset	Normal display mode on																								
Flow Chart	See partial area description for details of when to use this command.																								

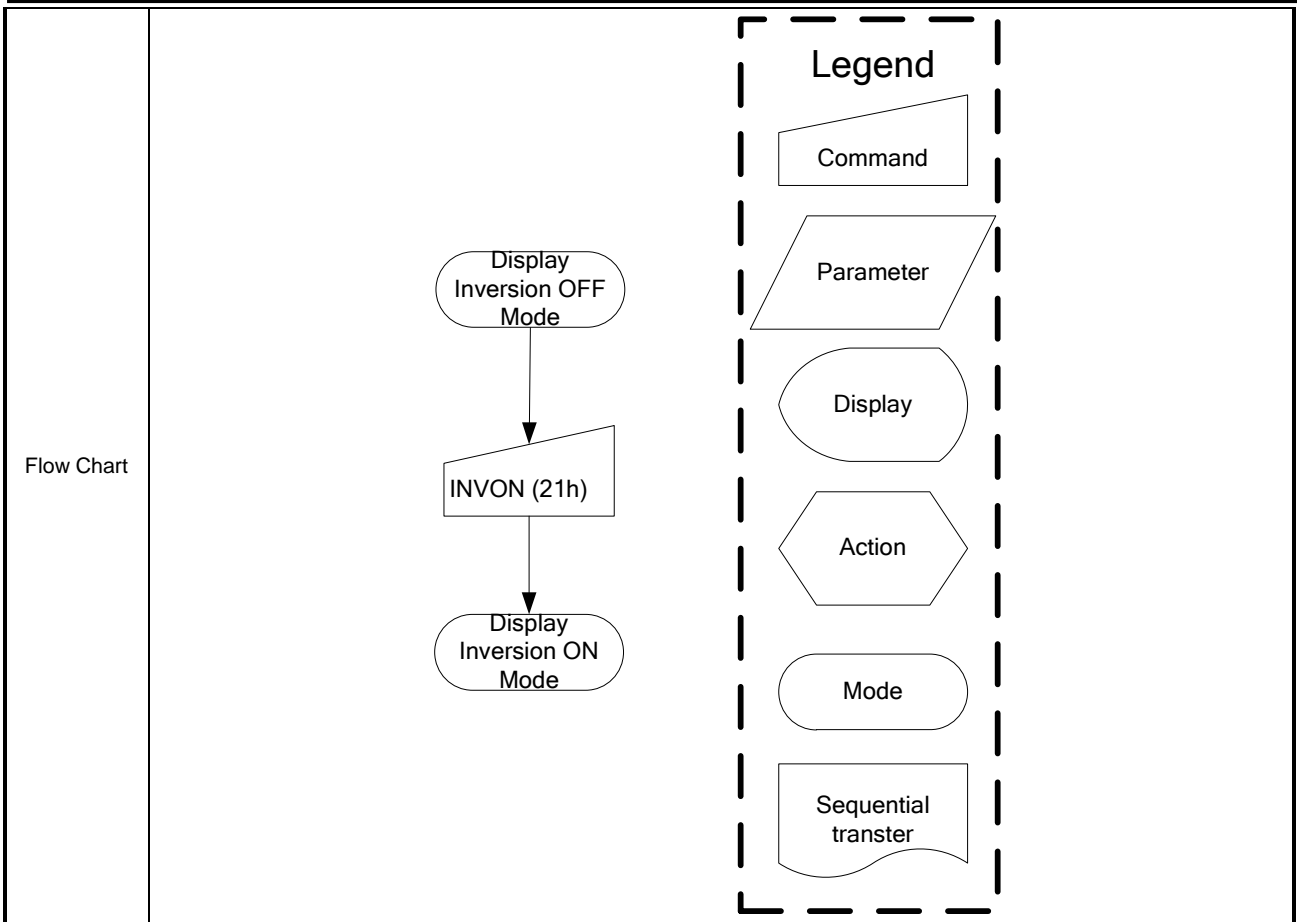
9.1.15 INVOFF (20h): Display Inversion Off

20H	INVOFF (Display Inversion Off)												HEX												
Inst / Para	D/CX	WRX	RDX	D17-8	D7	D6	D5	D4	D3	D2	D1	D0	HEX												
INVOFF	0	↑	1	-	0	0	1	0	0	0	0	0	(20h)												
parameter	No Parameter																								
Description	<p>-This command is used to recover from display inversion mode.                      "- Don't care</p> <p style="text-align: center;">(Example)</p> <div style="display: flex; align-items: center; justify-content: center;"> <div style="text-align: center;"> <p>Top-Left (0,0)</p>  <p>Memory</p> </div> <div style="margin: 0 20px;"> <p>⇒</p> </div> <div style="text-align: center;">  <p>Display</p> </div> </div>																								
Restriction	This command has no effect when module is already in inversion off mode.																								
Register availability	<table border="1" style="width: 100%; border-collapse: collapse;"> <thead> <tr> <th style="width: 50%;">Status</th> <th style="width: 50%;">Availability</th> </tr> </thead> <tbody> <tr> <td>Normal Mode On, Idle Mode Off, Sleep Out</td> <td style="text-align: center;">Yes</td> </tr> <tr> <td>Normal Mode On, Idle Mode On, Sleep Out</td> <td style="text-align: center;">Yes</td> </tr> <tr> <td>Partial Mode On, Idle Mode Off, Sleep Out</td> <td style="text-align: center;">Yes</td> </tr> <tr> <td>Partial Mode On, Idle Mode On, Sleep Out</td> <td style="text-align: center;">Yes</td> </tr> <tr> <td>Sleep In</td> <td style="text-align: center;">Yes</td> </tr> </tbody> </table>													Status	Availability	Normal Mode On, Idle Mode Off, Sleep Out	Yes	Normal Mode On, Idle Mode On, Sleep Out	Yes	Partial Mode On, Idle Mode Off, Sleep Out	Yes	Partial Mode On, Idle Mode On, Sleep Out	Yes	Sleep In	Yes
Status	Availability																								
Normal Mode On, Idle Mode Off, Sleep Out	Yes																								
Normal Mode On, Idle Mode On, Sleep Out	Yes																								
Partial Mode On, Idle Mode Off, Sleep Out	Yes																								
Partial Mode On, Idle Mode On, Sleep Out	Yes																								
Sleep In	Yes																								
Default	<table border="1" style="width: 100%; border-collapse: collapse;"> <thead> <tr> <th style="width: 50%;">Status</th> <th style="width: 50%;">Default Value</th> </tr> </thead> <tbody> <tr> <td>Power On Sequence</td> <td>Display inversion off</td> </tr> <tr> <td>S/W Reset</td> <td>Display inversion off</td> </tr> <tr> <td>H/W Reset</td> <td>Display inversion off</td> </tr> </tbody> </table>													Status	Default Value	Power On Sequence	Display inversion off	S/W Reset	Display inversion off	H/W Reset	Display inversion off				
Status	Default Value																								
Power On Sequence	Display inversion off																								
S/W Reset	Display inversion off																								
H/W Reset	Display inversion off																								



9.1.16 INVON (21h): Display Inversion On

21H	INVON (Display Inversion On)												HEX												
Inst / Para	D/CX	WRX	RDX	D17-8	D7	D6	D5	D4	D3	D2	D1	D0	HEX												
INVON	0	↑	1	-	0	0	1	0	0	0	0	1	(21h)												
parameter	No Parameter																								
Description	<p>-This command is used to recover from display inversion mode.                      "- Don't care</p> <p>(Example)</p> <p>Top-Left (0,0) </p>																								
Restriction	This command has no effect when module is already in inversion on mode.																								
Register availability	<table border="1"> <thead> <tr> <th>Status</th> <th>Availability</th> </tr> </thead> <tbody> <tr> <td>Normal Mode On, Idle Mode Off, Sleep Out</td> <td>Yes</td> </tr> <tr> <td>Normal Mode On, Idle Mode On, Sleep Out</td> <td>Yes</td> </tr> <tr> <td>Partial Mode On, Idle Mode Off, Sleep Out</td> <td>Yes</td> </tr> <tr> <td>Partial Mode On, Idle Mode On, Sleep Out</td> <td>Yes</td> </tr> <tr> <td>Sleep In</td> <td>Yes</td> </tr> </tbody> </table>													Status	Availability	Normal Mode On, Idle Mode Off, Sleep Out	Yes	Normal Mode On, Idle Mode On, Sleep Out	Yes	Partial Mode On, Idle Mode Off, Sleep Out	Yes	Partial Mode On, Idle Mode On, Sleep Out	Yes	Sleep In	Yes
Status	Availability																								
Normal Mode On, Idle Mode Off, Sleep Out	Yes																								
Normal Mode On, Idle Mode On, Sleep Out	Yes																								
Partial Mode On, Idle Mode Off, Sleep Out	Yes																								
Partial Mode On, Idle Mode On, Sleep Out	Yes																								
Sleep In	Yes																								
Default	<table border="1"> <thead> <tr> <th>Status</th> <th>Default Value</th> </tr> </thead> <tbody> <tr> <td>Power On Sequence</td> <td>Display inversion off</td> </tr> <tr> <td>S/W Reset</td> <td>Display inversion off</td> </tr> <tr> <td>H/W Reset</td> <td>Display inversion off</td> </tr> </tbody> </table>													Status	Default Value	Power On Sequence	Display inversion off	S/W Reset	Display inversion off	H/W Reset	Display inversion off				
Status	Default Value																								
Power On Sequence	Display inversion off																								
S/W Reset	Display inversion off																								
H/W Reset	Display inversion off																								

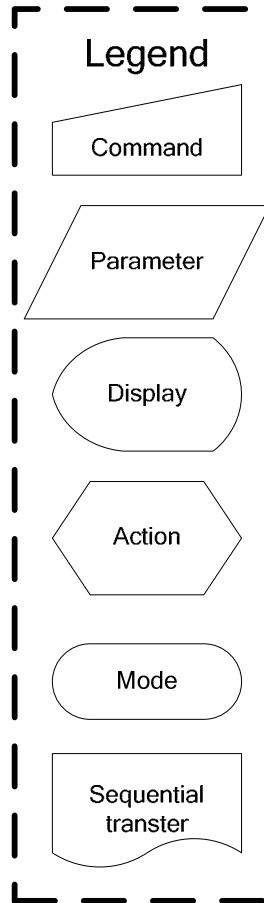
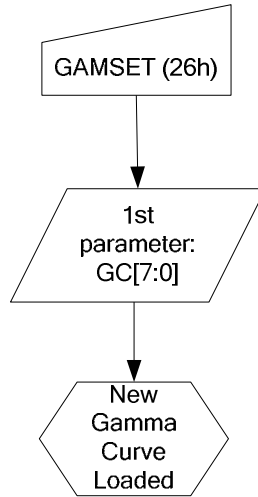




9.1.17 GAMSET (26h): Gamma Set

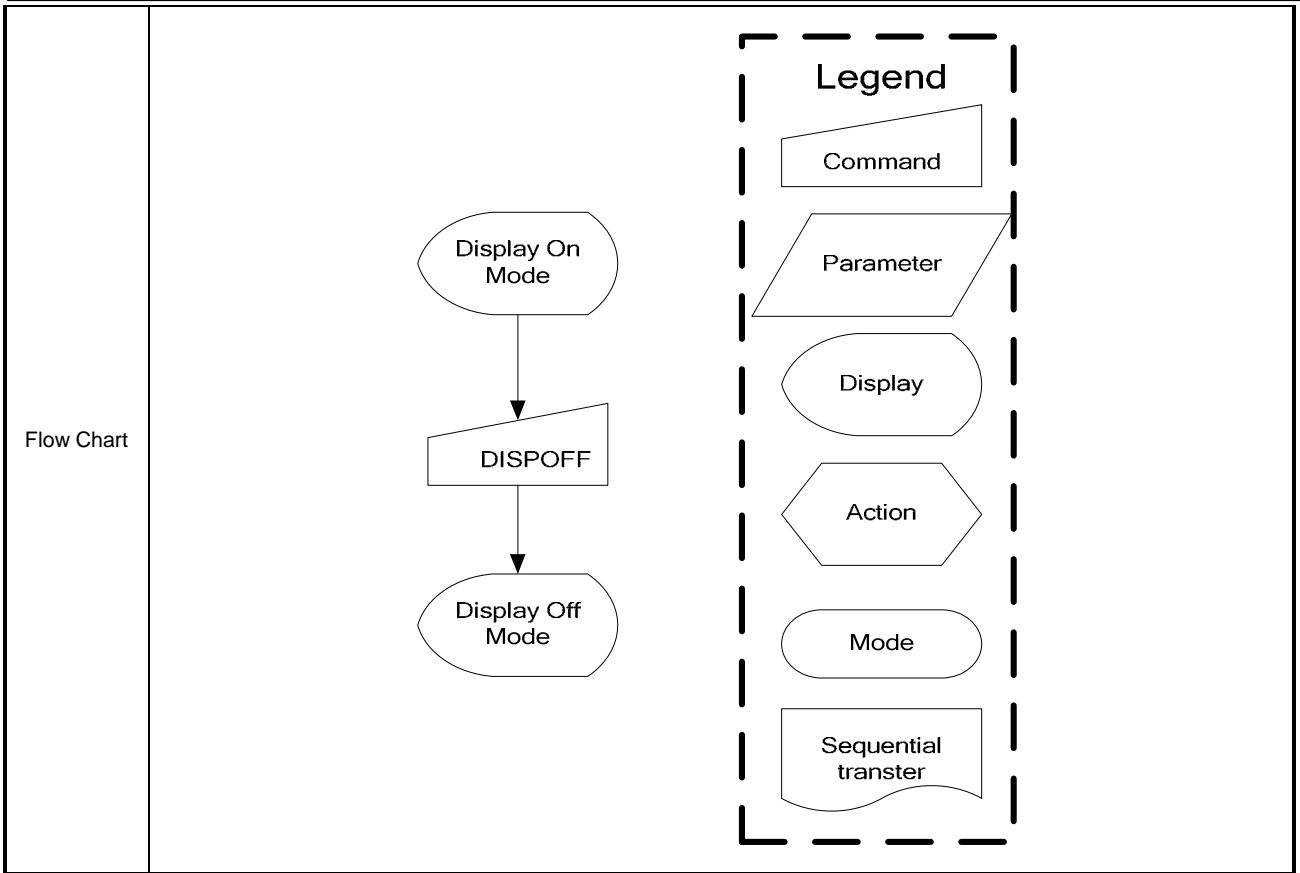
26H	GAMSET (Gamma Set)																											
Inst / Para	D/CX	WRX	RDX	D17-8	D7	D6	D5	D4	D3	D2	D1	D0	HEX															
GAMSET	0	↑	1	-	0	0	1	0	0	1	1	0	(26h)															
parameter	1	↑	1	-	0	0	0	0	GC3	GC2	GC1	GC0																
1. Description	<p>-This command is used to select the desired Gamma curve for the current display. A maximum of 4 curves can be selected. The curve is selected by setting the appropriate bit in the parameter as described in the Table.</p> <table border="1"> <thead> <tr> <th>GC [7:0]</th> <th>Parameter</th> <th>Curve Selected</th> </tr> </thead> <tbody> <tr> <td>01h</td> <td>GC0</td> <td>Gamma Curve 1 (G2.2)</td> </tr> <tr> <td>02h</td> <td>GC1</td> <td>Gamma Curve 2 (G1.8)</td> </tr> <tr> <td>04h</td> <td>GC2</td> <td>Gamma Curve 3 (G2.5)</td> </tr> <tr> <td>08h</td> <td>GC3</td> <td>Gamma Curve 4 (G1.0)</td> </tr> </tbody> </table> <p>Note: All other values are undefined.</p>													GC [7:0]	Parameter	Curve Selected	01h	GC0	Gamma Curve 1 (G2.2)	02h	GC1	Gamma Curve 2 (G1.8)	04h	GC2	Gamma Curve 3 (G2.5)	08h	GC3	Gamma Curve 4 (G1.0)
GC [7:0]	Parameter	Curve Selected																										
01h	GC0	Gamma Curve 1 (G2.2)																										
02h	GC1	Gamma Curve 2 (G1.8)																										
04h	GC2	Gamma Curve 3 (G2.5)																										
08h	GC3	Gamma Curve 4 (G1.0)																										
Restriction	Values of GC[7:0] not shown in table above are invalid and will not change the current selected Gamma curve until valid value is received.																											
Register availability	<table border="1"> <thead> <tr> <th>Status</th> <th>Availability</th> </tr> </thead> <tbody> <tr> <td>Normal Mode On, Idle Mode Off, Sleep Out</td> <td>Yes</td> </tr> <tr> <td>Normal Mode On, Idle Mode On, Sleep Out</td> <td>Yes</td> </tr> <tr> <td>Partial Mode On, Idle Mode Off, Sleep Out</td> <td>Yes</td> </tr> <tr> <td>Partial Mode On, Idle Mode On, Sleep Out</td> <td>Yes</td> </tr> <tr> <td>Sleep In</td> <td>Yes</td> </tr> </tbody> </table>													Status	Availability	Normal Mode On, Idle Mode Off, Sleep Out	Yes	Normal Mode On, Idle Mode On, Sleep Out	Yes	Partial Mode On, Idle Mode Off, Sleep Out	Yes	Partial Mode On, Idle Mode On, Sleep Out	Yes	Sleep In	Yes			
Status	Availability																											
Normal Mode On, Idle Mode Off, Sleep Out	Yes																											
Normal Mode On, Idle Mode On, Sleep Out	Yes																											
Partial Mode On, Idle Mode Off, Sleep Out	Yes																											
Partial Mode On, Idle Mode On, Sleep Out	Yes																											
Sleep In	Yes																											
Default	<table border="1"> <thead> <tr> <th>Status</th> <th>Default Value</th> </tr> </thead> <tbody> <tr> <td>Power On Sequence</td> <td>0x01</td> </tr> <tr> <td>S/W Reset</td> <td>0x01</td> </tr> <tr> <td>H/W Reset</td> <td>0x01</td> </tr> </tbody> </table>													Status	Default Value	Power On Sequence	0x01	S/W Reset	0x01	H/W Reset	0x01							
Status	Default Value																											
Power On Sequence	0x01																											
S/W Reset	0x01																											
H/W Reset	0x01																											

Flow Chart

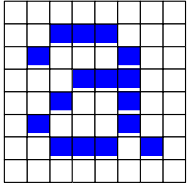
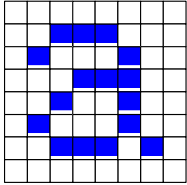


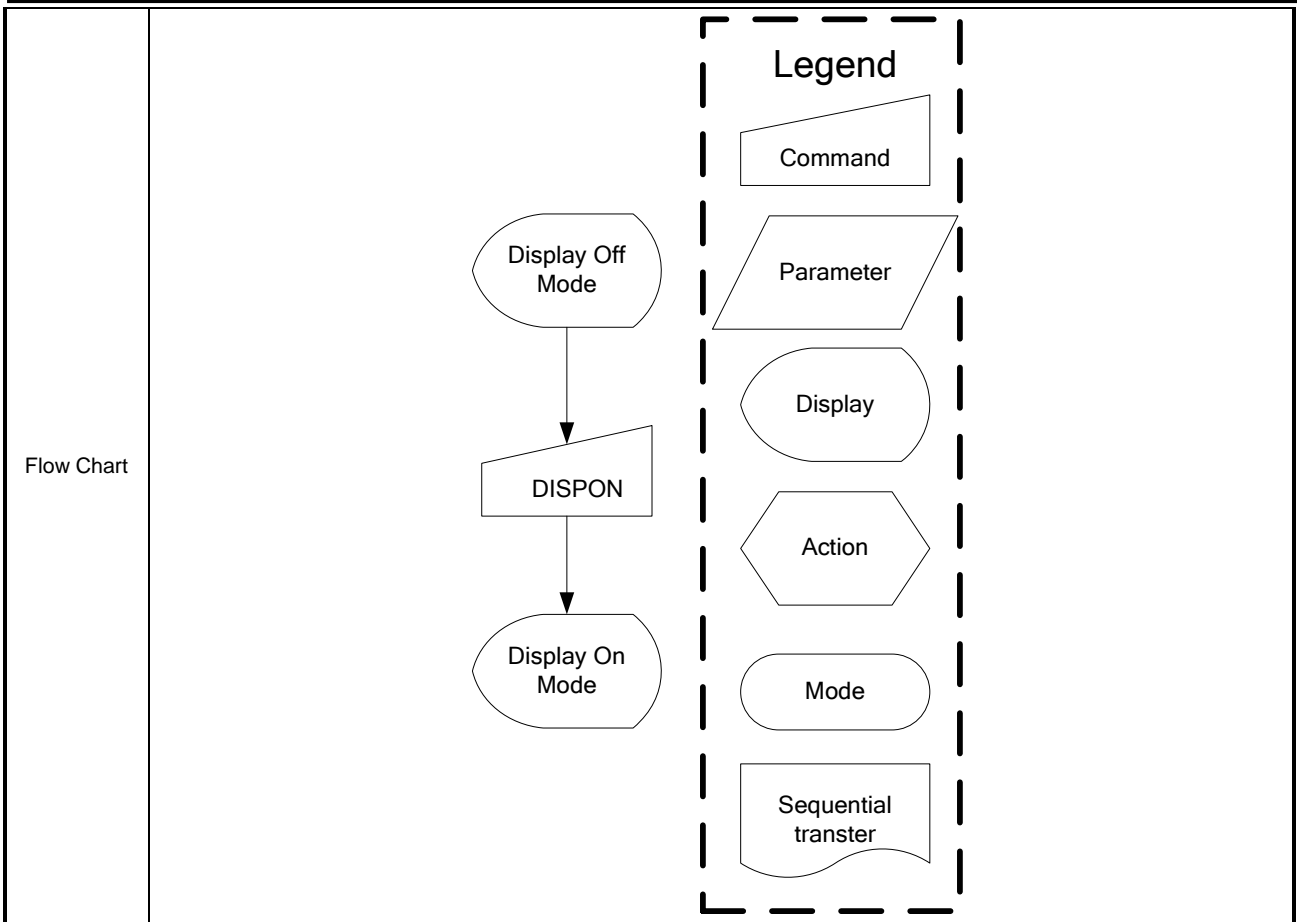
9.1.18 DISPOFF (28h): Display Off

28H	DISPOFF (Display Off)																								
Inst / Para	D/CX	WRX	RDX	D17-8	D7	D6	D5	D4	D3	D2	D1	D0	HEX												
DISPOFF	0	↑	1	-	0	0	1	0	1	0	0	0	(28h)												
parameter	No Parameter																								
Description	<p>- This command is used to enter into DISPLAY OFF mode. In this mode, the output from Frame Memory is disabled and blank page inserted.</p> <p>- This command makes no change of contents of frame memory.</p> <p>- This command does not change any other status.</p> <p>- There will be no abnormal visible effect on the display.</p> <p>- Exit from this command by Display On (29h)</p> <div style="text-align: center;"> <p><b>(Example)</b></p> </div>																								
Restriction	This command has no effect when module is already in display off mode.																								
Register availability	<table border="1" style="width: 100%; border-collapse: collapse;"> <thead> <tr> <th style="width: 50%;">Status</th> <th style="width: 50%;">Availability</th> </tr> </thead> <tbody> <tr> <td>Normal Mode On, Idle Mode Off, Sleep Out</td> <td>Yes</td> </tr> <tr> <td>Normal Mode On, Idle Mode On, Sleep Out</td> <td>Yes</td> </tr> <tr> <td>Partial Mode On, Idle Mode Off, Sleep Out</td> <td>Yes</td> </tr> <tr> <td>Partial Mode On, Idle Mode On, Sleep Out</td> <td>Yes</td> </tr> <tr> <td>Sleep In</td> <td>Yes</td> </tr> </tbody> </table>													Status	Availability	Normal Mode On, Idle Mode Off, Sleep Out	Yes	Normal Mode On, Idle Mode On, Sleep Out	Yes	Partial Mode On, Idle Mode Off, Sleep Out	Yes	Partial Mode On, Idle Mode On, Sleep Out	Yes	Sleep In	Yes
Status	Availability																								
Normal Mode On, Idle Mode Off, Sleep Out	Yes																								
Normal Mode On, Idle Mode On, Sleep Out	Yes																								
Partial Mode On, Idle Mode Off, Sleep Out	Yes																								
Partial Mode On, Idle Mode On, Sleep Out	Yes																								
Sleep In	Yes																								
Default	<table border="1" style="width: 100%; border-collapse: collapse;"> <thead> <tr> <th style="width: 50%;">Status</th> <th style="width: 50%;">Default Value</th> </tr> </thead> <tbody> <tr> <td>Power On Sequence</td> <td>Display off</td> </tr> <tr> <td>S/W Reset</td> <td>Display off</td> </tr> <tr> <td>H/W Reset</td> <td>Display off</td> </tr> </tbody> </table>													Status	Default Value	Power On Sequence	Display off	S/W Reset	Display off	H/W Reset	Display off				
Status	Default Value																								
Power On Sequence	Display off																								
S/W Reset	Display off																								
H/W Reset	Display off																								

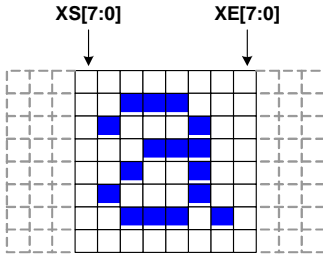


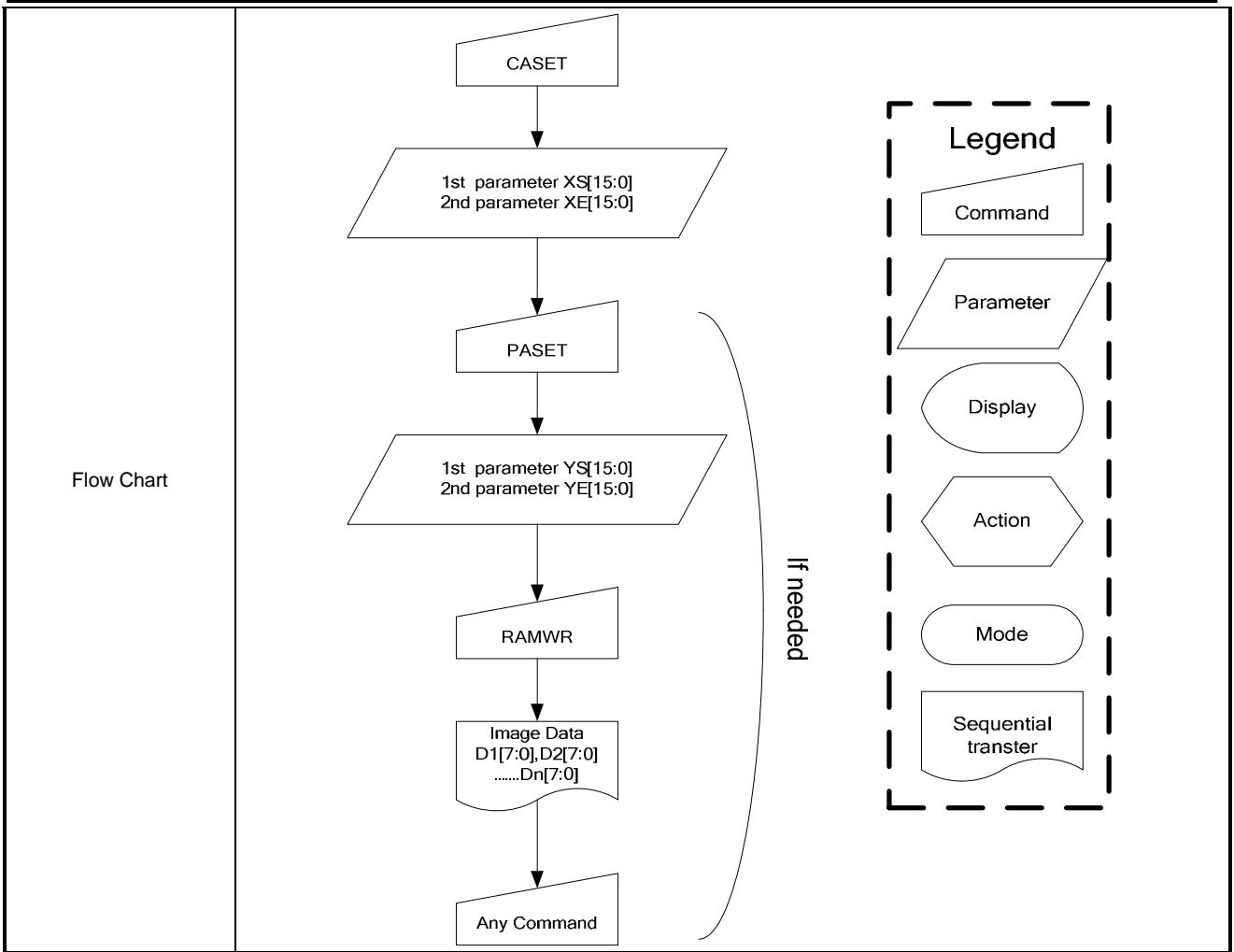
9.1.19 DISPON (29h): Display On

29H	DISPON (Display On)																								
Inst / Para	D/CX	WRX	RDX	D17-8	D7	D6	D5	D4	D3	D2	D1	D0	HEX												
DISPON	0	↑	1	-	0	0	1	0	1	0	0	1	(29h)												
parameter	No Parameter																								
Description	<ul style="list-style-type: none"> <li>- This command is used to recover from DISPLAY OFF mode.</li> <li>- Output from the Frame Memory is enabled.</li> <li>- This command makes no change of contents of frame memory.</li> <li>- This command does not change any other status.</li> </ul> <div style="text-align: center; margin-top: 10px;"> <p><b>(Example)</b></p> <div style="display: flex; justify-content: space-around; align-items: center;"> <div style="text-align: center;"> <p><b>Memory</b></p>  </div> <div style="font-size: 2em; margin: 0 10px;">→</div> <div style="text-align: center;"> <p><b>Display</b></p>  </div> </div> </div>																								
Restriction	This command has no effect when module is already in display on mode.																								
Register availability	<table border="1" style="width: 100%; border-collapse: collapse; text-align: center;"> <thead> <tr> <th style="width: 50%;">Status</th> <th style="width: 50%;">Availability</th> </tr> </thead> <tbody> <tr> <td>Normal Mode On, Idle Mode Off, Sleep Out</td> <td>Yes</td> </tr> <tr> <td>Normal Mode On, Idle Mode On, Sleep Out</td> <td>Yes</td> </tr> <tr> <td>Partial Mode On, Idle Mode Off, Sleep Out</td> <td>Yes</td> </tr> <tr> <td>Partial Mode On, Idle Mode On, Sleep Out</td> <td>Yes</td> </tr> <tr> <td>Sleep In</td> <td>Yes</td> </tr> </tbody> </table>													Status	Availability	Normal Mode On, Idle Mode Off, Sleep Out	Yes	Normal Mode On, Idle Mode On, Sleep Out	Yes	Partial Mode On, Idle Mode Off, Sleep Out	Yes	Partial Mode On, Idle Mode On, Sleep Out	Yes	Sleep In	Yes
Status	Availability																								
Normal Mode On, Idle Mode Off, Sleep Out	Yes																								
Normal Mode On, Idle Mode On, Sleep Out	Yes																								
Partial Mode On, Idle Mode Off, Sleep Out	Yes																								
Partial Mode On, Idle Mode On, Sleep Out	Yes																								
Sleep In	Yes																								
Default	<table border="1" style="width: 100%; border-collapse: collapse; text-align: center;"> <thead> <tr> <th style="width: 50%;">Status</th> <th style="width: 50%;">Default Value</th> </tr> </thead> <tbody> <tr> <td>Power On Sequence</td> <td>Display off</td> </tr> <tr> <td>S/W Reset</td> <td>Display off</td> </tr> <tr> <td>H/W Reset</td> <td>Display off</td> </tr> </tbody> </table>													Status	Default Value	Power On Sequence	Display off	S/W Reset	Display off	H/W Reset	Display off				
Status	Default Value																								
Power On Sequence	Display off																								
S/W Reset	Display off																								
H/W Reset	Display off																								



9.1.20 CASET (2Ah): Column Address Set

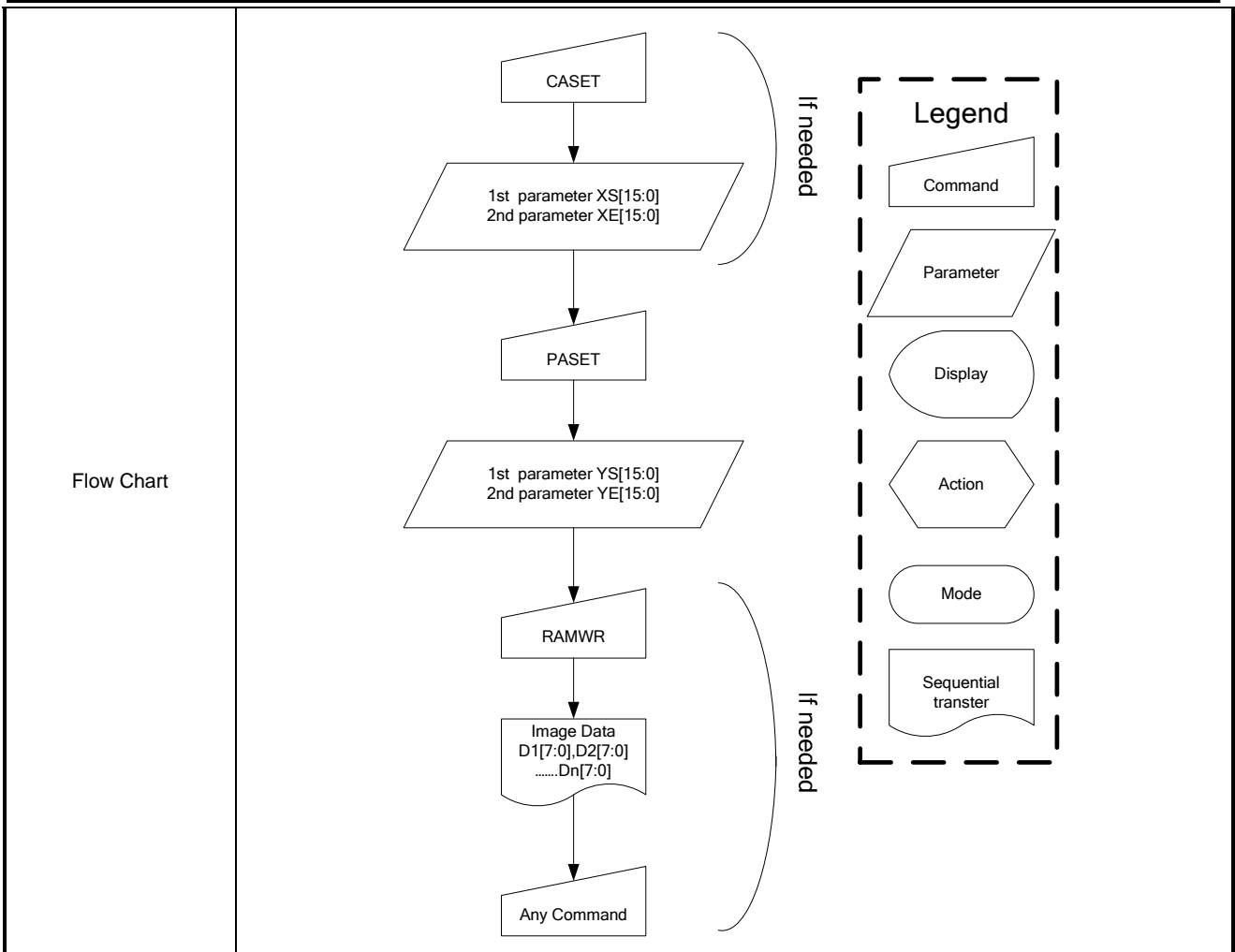
2AH	CASET (Column Address Set)												HEX												
Inst / Para	D/CX	WRX	RDX	D17-8	D7	D6	D5	D4	D3	D2	D1	D0													
CASET	0	↑	1	-	0	0	1	0	1	0	1	0	(2Ah)												
1 <sup>st</sup> parameter	1	↑	1	-	XS15	XS14	XS13	XS12	XS11	XS10	XS9	XS8													
2 <sup>nd</sup> parameter	1	↑	1	-	XS7	XS6	XS5	XS4	XS3	XS2	XS1	XS0													
3 <sup>rd</sup> parameter	1	↑	1	-	XE15	XE14	XE13	XE12	XE11	XE10	XE9	XE8													
4 <sup>th</sup> parameter	1	↑	1	-	XE7	XE6	XE5	XE4	XE3	XE2	XE1	XE0													
2. Description	<p>-The value of XS [7:0] and XE [7:0] are referred when RAMWR command comes.</p> <p>-Each value represents one column line in the Frame Memory.</p> 																								
Restriction	<p>XS [15:0] always must be equal to or less than XE [15:0]</p> <p>When XS [15:0] or XE [15:0] is greater than maximum address like below, data of out of range will be ignored.</p> <p>(Parameter range: 0 &lt; XS [15:0] &lt; XE [15:0] &lt; 239 (00Efh)): MV="0"</p> <p>(Parameter range: 0 &lt; XS [15:0] &lt; XE [15:0] &lt; 319 (013Fh)): MV="1"</p>																								
Register availability	<table border="1"> <thead> <tr> <th>Status</th> <th>Availability</th> </tr> </thead> <tbody> <tr> <td>Normal Mode On, Idle Mode Off, Sleep Out</td> <td>Yes</td> </tr> <tr> <td>Normal Mode On, Idle Mode On, Sleep Out</td> <td>Yes</td> </tr> <tr> <td>Partial Mode On, Idle Mode Off, Sleep Out</td> <td>Yes</td> </tr> <tr> <td>Partial Mode On, Idle Mode On, Sleep Out</td> <td>Yes</td> </tr> <tr> <td>Sleep In</td> <td>Yes</td> </tr> </tbody> </table>													Status	Availability	Normal Mode On, Idle Mode Off, Sleep Out	Yes	Normal Mode On, Idle Mode On, Sleep Out	Yes	Partial Mode On, Idle Mode Off, Sleep Out	Yes	Partial Mode On, Idle Mode On, Sleep Out	Yes	Sleep In	Yes
Status	Availability																								
Normal Mode On, Idle Mode Off, Sleep Out	Yes																								
Normal Mode On, Idle Mode On, Sleep Out	Yes																								
Partial Mode On, Idle Mode Off, Sleep Out	Yes																								
Partial Mode On, Idle Mode On, Sleep Out	Yes																								
Sleep In	Yes																								
Default	<table border="1"> <thead> <tr> <th>Status</th> <th colspan="2">Default Value</th> </tr> </thead> <tbody> <tr> <td>Power On Sequence</td> <td>XS[15:0]=0x00</td> <td>XE[15:0]=0Xef</td> </tr> <tr> <td>S/W Reset</td> <td>XS[15:0]=0x00</td> <td>When MV=0: XE[15:0]=00Efh, When MV=1: XE[15:0]=013Fh</td> </tr> <tr> <td>H/W Reset</td> <td>XS[15:0]=0x00</td> <td>XE[15:0]=0Xef</td> </tr> </tbody> </table>													Status	Default Value		Power On Sequence	XS[15:0]=0x00	XE[15:0]=0Xef	S/W Reset	XS[15:0]=0x00	When MV=0: XE[15:0]=00Efh, When MV=1: XE[15:0]=013Fh	H/W Reset	XS[15:0]=0x00	XE[15:0]=0Xef
Status	Default Value																								
Power On Sequence	XS[15:0]=0x00	XE[15:0]=0Xef																							
S/W Reset	XS[15:0]=0x00	When MV=0: XE[15:0]=00Efh, When MV=1: XE[15:0]=013Fh																							
H/W Reset	XS[15:0]=0x00	XE[15:0]=0Xef																							





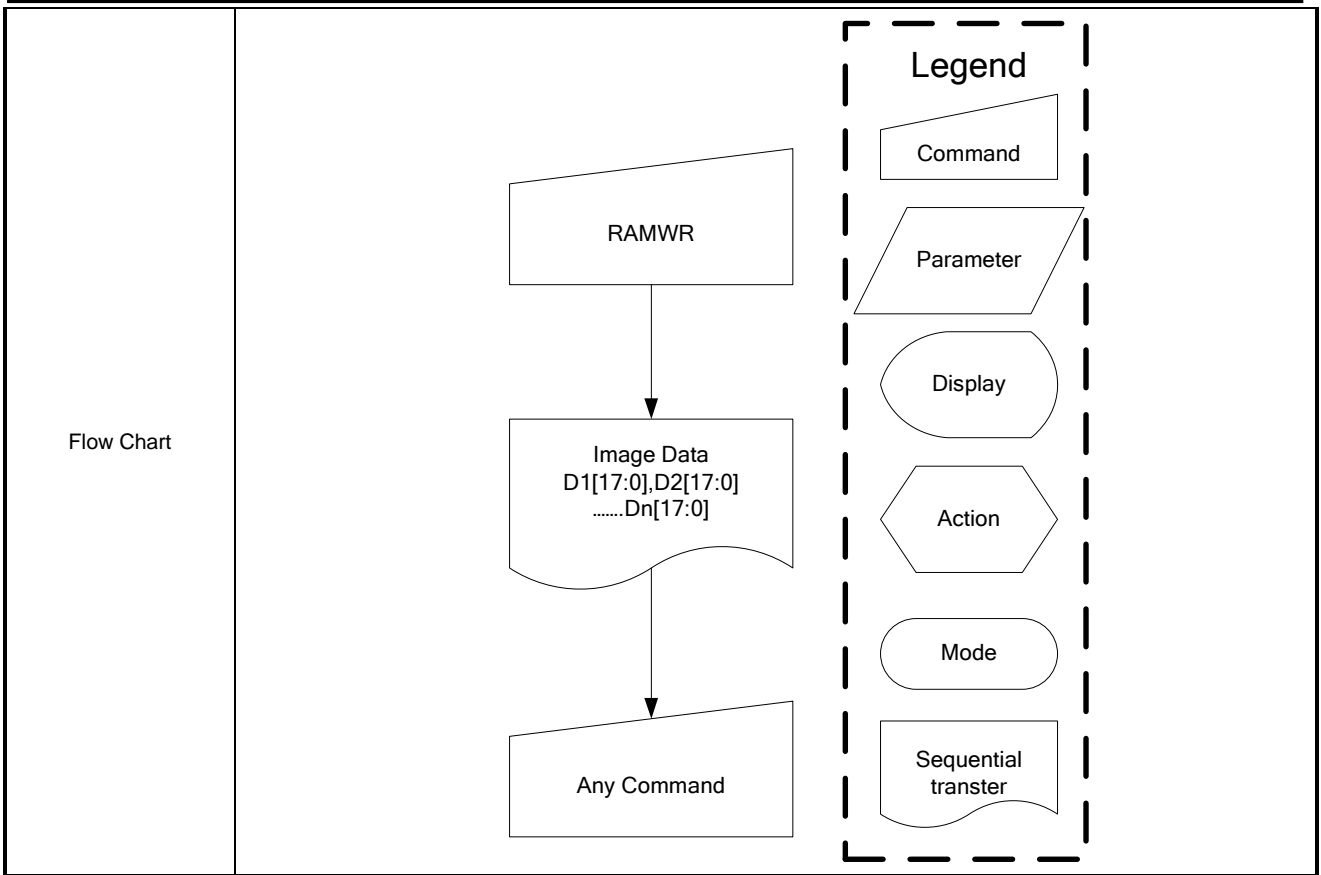
9.1.21 RASET (2Bh): Row Address Set

2BH	RASET (Row Address Set)																								
Inst / Para	D/CX	WRX	RDX	D17-8	D7	D6	D5	D4	D3	D2	D1	D0	HEX												
RASET	0	↑	1	-	0	0	1	0	1	0	1	1	(2Bh)												
1 <sup>st</sup> parameter	1	↑	1	-	YS15	YS14	YS13	YS12	YS11	YS10	YS9	YS8													
2 <sup>nd</sup> parameter	1	↑	1	-	YS7	YS6	YS5	YS4	YS3	YS2	YS1	YS0													
3 <sup>rd</sup> parameter	1	↑	1	-	YE15	YE14	YE13	YE12	YE11	YE10	YE9	YE8													
4 <sup>th</sup> parameter	1	↑	1	-	YE7	YE6	YE5	YE4	YE3	YE2	YE1	YE0													
3. Description	<p>-This command is used to defined area of frame memory where MCU can access.</p> <p>-The value of YS [15:0] and YE [15:0] are referred when RAMWR command comes.</p> <p>-Each value represents one page line in the Frame Memory.</p>																								
Restriction	<p>YS [15:0] always must be equal to or less than YE [15:0]</p> <p>When YS [15:0] or YE [15:0] is greater than maximum address like below, data of out of range will be ignored.</p> <p>(Parameter range: 0 &lt; YS [15:0] &lt; YE [15:0] &lt; 239 (00Efh): MV="0")</p> <p>(Parameter range: 0 &lt; YS [15:0] &lt; YE [15:0] &lt; 319 (013Fh): MV="1")</p>																								
Register availability	<table border="1"> <thead> <tr> <th>Status</th> <th>Availability</th> </tr> </thead> <tbody> <tr> <td>Normal Mode On, Idle Mode Off, Sleep Out</td> <td>Yes</td> </tr> <tr> <td>Normal Mode On, Idle Mode On, Sleep Out</td> <td>Yes</td> </tr> <tr> <td>Partial Mode On, Idle Mode Off, Sleep Out</td> <td>Yes</td> </tr> <tr> <td>Partial Mode On, Idle Mode On, Sleep Out</td> <td>Yes</td> </tr> <tr> <td>Sleep In</td> <td>Yes</td> </tr> </tbody> </table>													Status	Availability	Normal Mode On, Idle Mode Off, Sleep Out	Yes	Normal Mode On, Idle Mode On, Sleep Out	Yes	Partial Mode On, Idle Mode Off, Sleep Out	Yes	Partial Mode On, Idle Mode On, Sleep Out	Yes	Sleep In	Yes
Status	Availability																								
Normal Mode On, Idle Mode Off, Sleep Out	Yes																								
Normal Mode On, Idle Mode On, Sleep Out	Yes																								
Partial Mode On, Idle Mode Off, Sleep Out	Yes																								
Partial Mode On, Idle Mode On, Sleep Out	Yes																								
Sleep In	Yes																								
Default	<table border="1"> <thead> <tr> <th>Status</th> <th colspan="2">Default Value</th> </tr> </thead> <tbody> <tr> <td>Power On Sequence</td> <td>YS[15:0]=0000h</td> <td>YE[15:0]=013Fh</td> </tr> <tr> <td>S/W Reset</td> <td>YS[15:0]=0000h</td> <td>When MV=0: YE[15:0]=013Fh, When MV=1: YE[15:0]=00Efh</td> </tr> <tr> <td>H/W Reset</td> <td>YS[15:0]=0000h</td> <td>YE[15:0]=013Fh</td> </tr> </tbody> </table>													Status	Default Value		Power On Sequence	YS[15:0]=0000h	YE[15:0]=013Fh	S/W Reset	YS[15:0]=0000h	When MV=0: YE[15:0]=013Fh, When MV=1: YE[15:0]=00Efh	H/W Reset	YS[15:0]=0000h	YE[15:0]=013Fh
Status	Default Value																								
Power On Sequence	YS[15:0]=0000h	YE[15:0]=013Fh																							
S/W Reset	YS[15:0]=0000h	When MV=0: YE[15:0]=013Fh, When MV=1: YE[15:0]=00Efh																							
H/W Reset	YS[15:0]=0000h	YE[15:0]=013Fh																							



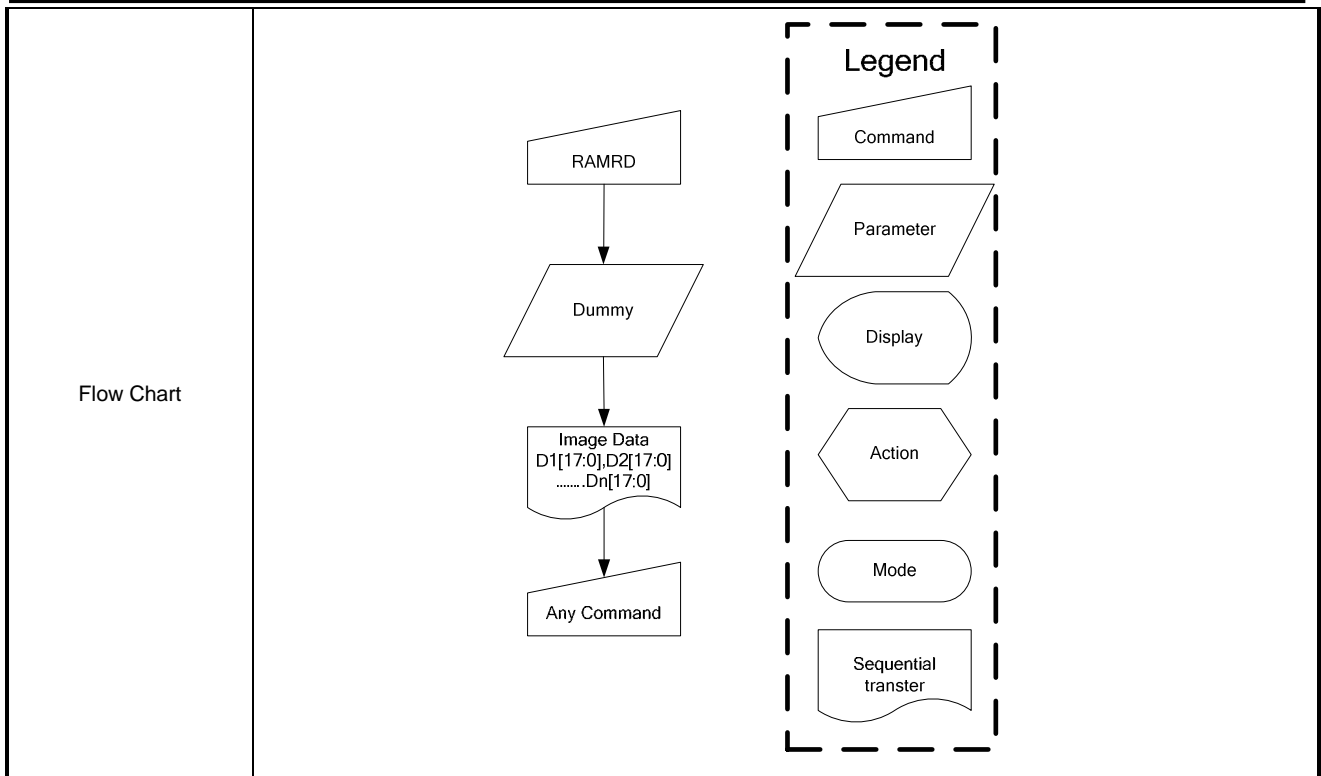
9.1.22 RAMWR (2Ch): Memory Write

2CH	RAMWR (Memory Write)																								
Inst / Para	D/CX	WRX	RDX	D17-8	D7	D6	D5	D4	D3	D2	D1	D0	HEX												
RAMWR	0	↑	1	-	0	0	1	0	1	1	0	0	(2Ch)												
1 <sup>st</sup> parameter	1	↑	1	D1[17]-1[8]	D1[7]	D1[6]	D1[5]	D1[4]	D1[3]	D1[2]	D1[1]	D1[0]													
...	1	↑	1	Dx[17]-x[8]	Dx[7]	Dx[6]	Dx[5]	Dx[4]	Dx[3]	Dx[2]	Dx[1]	Dx[0]													
N parameter	1	↑	1	Dn[17]-n[8]	Dn[7]	Dn[6]	Dn[5]	Dn[4]	Dn[3]	Dn[2]	Dn[1]	Dn[0]													
Description	<p>-This command is used to transfer data from MCU to frame memory.</p> <p>-When this command is accepted, the column register and the page register are reset to the start column/start page positions.</p> <p>-The start column/start page positions are different in accordance with MADCTL setting.</p> <p>-Sending any other command can stop frame write.</p>																								
Restriction																									
Register availability	<table border="1"> <thead> <tr> <th>Status</th> <th>Availability</th> </tr> </thead> <tbody> <tr> <td>Normal Mode On, Idle Mode Off, Sleep Out</td> <td>Yes</td> </tr> <tr> <td>Normal Mode On, Idle Mode On, Sleep Out</td> <td>Yes</td> </tr> <tr> <td>Partial Mode On, Idle Mode Off, Sleep Out</td> <td>Yes</td> </tr> <tr> <td>Partial Mode On, Idle Mode On, Sleep Out</td> <td>Yes</td> </tr> <tr> <td>Sleep In</td> <td>Yes</td> </tr> </tbody> </table>													Status	Availability	Normal Mode On, Idle Mode Off, Sleep Out	Yes	Normal Mode On, Idle Mode On, Sleep Out	Yes	Partial Mode On, Idle Mode Off, Sleep Out	Yes	Partial Mode On, Idle Mode On, Sleep Out	Yes	Sleep In	Yes
Status	Availability																								
Normal Mode On, Idle Mode Off, Sleep Out	Yes																								
Normal Mode On, Idle Mode On, Sleep Out	Yes																								
Partial Mode On, Idle Mode Off, Sleep Out	Yes																								
Partial Mode On, Idle Mode On, Sleep Out	Yes																								
Sleep In	Yes																								
Default	<table border="1"> <thead> <tr> <th>Status</th> <th>Default Value</th> </tr> </thead> <tbody> <tr> <td>Power On Sequence</td> <td>Contents of memory is set randomly</td> </tr> <tr> <td>S/W Reset</td> <td>Contents of memory is not cleared</td> </tr> <tr> <td>H/W Reset</td> <td>Contents of memory is not cleared</td> </tr> </tbody> </table>													Status	Default Value	Power On Sequence	Contents of memory is set randomly	S/W Reset	Contents of memory is not cleared	H/W Reset	Contents of memory is not cleared				
Status	Default Value																								
Power On Sequence	Contents of memory is set randomly																								
S/W Reset	Contents of memory is not cleared																								
H/W Reset	Contents of memory is not cleared																								



9.1.23 RAMRD (2Eh): Memory Read

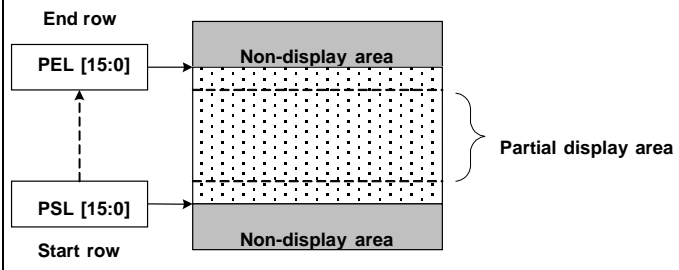
2EH	RAMRD (Memory Read)																								
Inst / Para	D/CX	WRX	RDX	D17-8	D7	D6	D5	D4	D3	D2	D1	D0	HEX												
RAMRD	0	↑	1	-	0	0	1	0	1	1	1	0	(2Eh)												
1 <sup>st</sup> parameter	1	1	↑	-	-	-	-	-	-	-	-	-													
2 <sup>nd</sup> parameter	1	1	↑	D17-8	D7	D6	D5	D4	D3	D2	D1	D0													
:	1	1	↑	:	:	:	:	:	:	:	:	:													
(N+1) <sup>th</sup> parameter	1	1	↑	D17-8	D7	D6	D5	D4	D3	D2	D1	D0													
Description	<p>-This command is used to transfer data from frame memory to MCU.</p> <p>-When this command is accepted, the column register and the row register are reset to the Start Column/Start Row positions.</p> <p>-The Start Column/Start Row positions are different in accordance with MADCTL setting.</p> <p>-Then D[17:0] is read back from the frame memory and the column register and the row register incremented</p> <p>-Frame Read can be cancelled by sending any other command.</p> <p>-The data color coding is fixed to 18-bit in reading function. Please see section 9.8 “Data color coding” for color coding (18-bit cases), when there is used 8, 9, 16 and 18-bit data lines for image data.</p> <p>Note1: The Command 3Ah should be set to 66h when reading pixel data from frame memory.</p>																								
Restriction																									
Register availability	<table border="1"> <thead> <tr> <th>Status</th> <th>Availability</th> </tr> </thead> <tbody> <tr> <td>Normal Mode On, Idle Mode Off, Sleep Out</td> <td>Yes</td> </tr> <tr> <td>Normal Mode On, Idle Mode On, Sleep Out</td> <td>Yes</td> </tr> <tr> <td>Partial Mode On, Idle Mode Off, Sleep Out</td> <td>Yes</td> </tr> <tr> <td>Partial Mode On, Idle Mode On, Sleep Out</td> <td>Yes</td> </tr> <tr> <td>Sleep In</td> <td>Yes</td> </tr> </tbody> </table>													Status	Availability	Normal Mode On, Idle Mode Off, Sleep Out	Yes	Normal Mode On, Idle Mode On, Sleep Out	Yes	Partial Mode On, Idle Mode Off, Sleep Out	Yes	Partial Mode On, Idle Mode On, Sleep Out	Yes	Sleep In	Yes
Status	Availability																								
Normal Mode On, Idle Mode Off, Sleep Out	Yes																								
Normal Mode On, Idle Mode On, Sleep Out	Yes																								
Partial Mode On, Idle Mode Off, Sleep Out	Yes																								
Partial Mode On, Idle Mode On, Sleep Out	Yes																								
Sleep In	Yes																								
Default	<table border="1"> <thead> <tr> <th>Status</th> <th>Default Value</th> </tr> </thead> <tbody> <tr> <td>Power On Sequence</td> <td>Contents of memory is set randomly</td> </tr> <tr> <td>S/W Reset</td> <td>Contents of memory is not cleared</td> </tr> <tr> <td>H/W Reset</td> <td>Contents of memory is not cleared</td> </tr> </tbody> </table>													Status	Default Value	Power On Sequence	Contents of memory is set randomly	S/W Reset	Contents of memory is not cleared	H/W Reset	Contents of memory is not cleared				
Status	Default Value																								
Power On Sequence	Contents of memory is set randomly																								
S/W Reset	Contents of memory is not cleared																								
H/W Reset	Contents of memory is not cleared																								



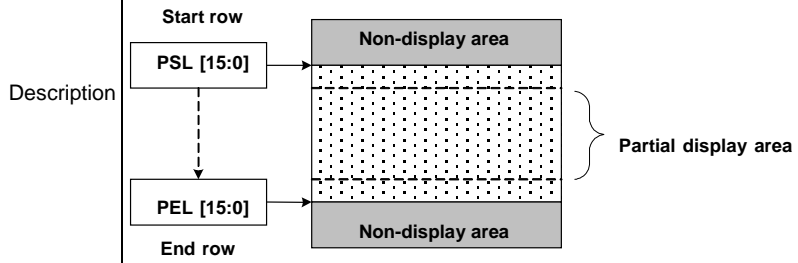
9.1.24 PTLAR (30h): Partial Area

30H	PTLAR (Partial Area)												
Inst / Para	D/CX	WRX	RDX	D17-8	D7	D6	D5	D4	D3	D2	D1	D0	HEX
PTLAR	0	↑	1	-	0	0	1	1	0	0	0	0	(30h)
1 <sup>st</sup> parameter	1	↑	1	-	PSL15	PSL14	PSL13	PSL12	PSL11	PSL10	PSL9	PSL8	
2 <sup>nd</sup> parameter	1	↑	1	-	PSL7	PSL6	PSL5	PSL4	PSL3	PSL2	PSL1	PSL0	
3 <sup>rd</sup> parameter	1	↑	1	-	PEL15	PEL14	PEL13	PEL12	PEL11	PEL10	PEL9	PEL8	
4 <sup>th</sup> parameter	1	↑	1	-	PEL7	PEL6	PEL5	PEL4	PEL3	PEL2	PEL1	PEL0	

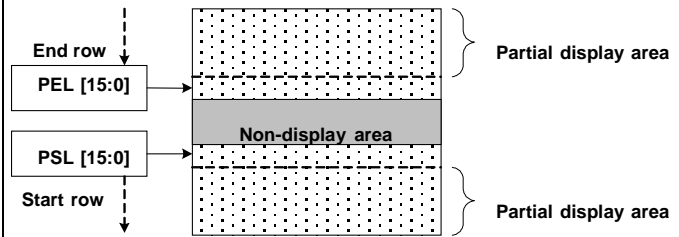
-This command defines the partial mode's display area.  
 -There are 4 parameters associated with this command, the first defines the Start Row (PSL) and the second the End Row (PEL), as illustrated in the figures below. PSL and PEL refer to the Frame Memory row address counter.  
 -If End Row > Start Row, when MADCTL ML='1'



-If End Row > Start Row, when MADCTL ML='0'



-If End Row < Start Row, when MADCTL ML='0'



-If End Row = Start Row then the Partial Area will be one row deep.

Restriction	Each detail initial value by the display resolution will be updated.												
Register availability	<table border="1"> <thead> <tr> <th>Status</th> <th>Availability</th> </tr> </thead> <tbody> <tr> <td>Normal Mode On, Idle Mode Off, Sleep Out</td> <td>Yes</td> </tr> <tr> <td>Normal Mode On, Idle Mode On, Sleep Out</td> <td>Yes</td> </tr> <tr> <td>Partial Mode On, Idle Mode Off, Sleep Out</td> <td>Yes</td> </tr> <tr> <td>Partial Mode On, Idle Mode On, Sleep Out</td> <td>Yes</td> </tr> <tr> <td>Sleep In</td> <td>Yes</td> </tr> </tbody> </table>	Status	Availability	Normal Mode On, Idle Mode Off, Sleep Out	Yes	Normal Mode On, Idle Mode On, Sleep Out	Yes	Partial Mode On, Idle Mode Off, Sleep Out	Yes	Partial Mode On, Idle Mode On, Sleep Out	Yes	Sleep In	Yes
Status	Availability												
Normal Mode On, Idle Mode Off, Sleep Out	Yes												
Normal Mode On, Idle Mode On, Sleep Out	Yes												
Partial Mode On, Idle Mode Off, Sleep Out	Yes												
Partial Mode On, Idle Mode On, Sleep Out	Yes												
Sleep In	Yes												
Default	<table border="1"> <thead> <tr> <th>Status</th> <th>Default Value</th> </tr> </thead> <tbody> <tr> <td>Power On Sequence</td> <td>PSL[15:0]=0000h, PEL=013Fh</td> </tr> <tr> <td>S/W Reset</td> <td>PSL[15:0]=0000h, PEL=013Fh</td> </tr> <tr> <td>H/W Reset</td> <td>PSL[15:0]=0000h, PEL=013Fh</td> </tr> </tbody> </table>	Status	Default Value	Power On Sequence	PSL[15:0]=0000h, PEL=013Fh	S/W Reset	PSL[15:0]=0000h, PEL=013Fh	H/W Reset	PSL[15:0]=0000h, PEL=013Fh				
Status	Default Value												
Power On Sequence	PSL[15:0]=0000h, PEL=013Fh												
S/W Reset	PSL[15:0]=0000h, PEL=013Fh												
H/W Reset	PSL[15:0]=0000h, PEL=013Fh												
Flow Chart	<p style="text-align: center;"><b>2. Leave Partial Mode</b></p> <div style="display: flex; justify-content: space-between;"> <div style="width: 45%;"> <p><b>1. To Enter Partial Mode:</b></p> <pre> graph TD     PLTAR[PLTAR] --&gt; SR[SR[15:0]]     SR --&gt; ER[ER[15:0]]     ER --&gt; PTLON[PTLON]     PTLON --&gt; PM((Partial Mode))                     </pre> </div> <div style="width: 45%;"> <pre> graph TD     PM((Partial Mode)) --&gt; DISPOFF[DISPOFF]     DISPOFF --&gt; NORON[NORON]     NORON --&gt; PMOFF((Partial Mode OFF))     PMOFF --&gt; RAMRW[RAMRW]     RAMRW --&gt; ID[Image Data D1[7:0], D2[7:0] ..... Dn[7:0]]     ID --&gt; DISPON[DISPON]                     </pre> <p style="text-align: center;">(optional) To prevent Tearing Effect Image displayed</p> </div> </div> <div style="border: 1px dashed black; padding: 5px; margin-top: 10px;"> <p style="text-align: center;"><b>Legend</b></p> <ul style="list-style-type: none"> <li>▭ Command</li> <li>▭ Parameter</li> <li>○ Display</li> <li>⬡ Action</li> <li>○ Mode</li> <li>⌋ Sequential transfer</li> </ul> </div>												



9.1.25 VSCRDEF (33h): Vertical Scrolling Definition

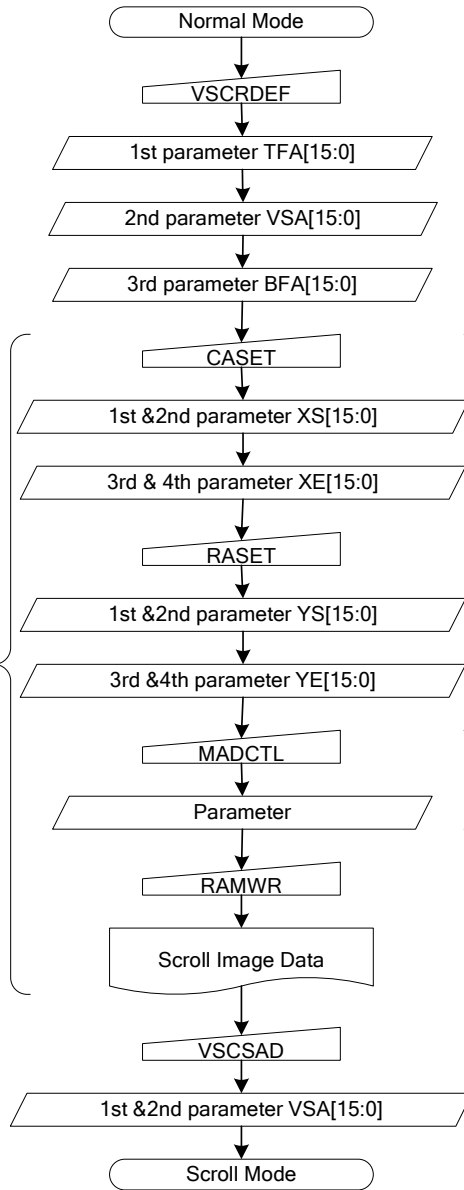
33H	(Vertical Scrolling Definition)												HEX
Inst / Para	D/CX	WRX	RDX	D17-8	D7	D6	D5	D4	D3	D2	D1	D0	HEX
VSCRDEF	0	↑	1	-	0	0	1	1	0	0	1	1	(33h)
1 <sup>st</sup> parameter	1	↑	1	-	TFA15	TFA14	TFA13	TFA12	TFA11	TFA10	TFA9	TFA8	
2 <sup>nd</sup> parameter	1	↑	1	-	TFA7	TFA6	TFA5	TFA4	TFA3	TFA2	TFA1	TFA0	
3 <sup>rd</sup> parameter	1	↑	1	-	VSA15	VSA14	VSA13	VSA12	VSA11	VSA10	VSA9	VSA8	
4 <sup>th</sup> parameter	1	↑	1	-	VSA7	VSA6	VSA5	VSA4	VSA3	VSA2	VSA1	VSA0	
5 <sup>th</sup> parameter	1	↑	1		BFA15	BFA14	BFA13	BFA12	BFA11	BFA10	BFA9	BFA8	
6 <sup>th</sup> parameter	1	↑	1		BFA7	BFA6	BFA5	BFA4	BFA3	BFA2	BFA1	BFA0	
Description	<p>-This command just defines the Vertical Scrolling Area of the display and not performs vertical scroll</p> <p>-When MADCTL MV=0</p> <p>-The 1<sup>st</sup> &amp; 2<sup>nd</sup> parameter TFA [15:0] describes the Top Fixed Area (in No. of lines from Top of the Frame Memory and Display).</p> <p>-The 3<sup>rd</sup> &amp; 4<sup>th</sup> parameter VSA [15:0] describes the height of the Vertical Scrolling Area (in No. of lines of the Frame Memory [not the display] from the Vertical Scrolling Start Address) The first line appears immediately after the bottom most line of the Top Fixed Area.</p> <p>-The 4<sup>th</sup> &amp; 5<sup>th</sup> parameter BFA [6:0] describes the Bottom Fixed Area (in No. of lines from Bottom of the Frame Memory and Display).</p> <p>TFA, VSA and BFA refer to the Frame Memory Line Pointer</p>												
Restriction	The condition is TFA+VSA+BFA = 320, otherwise Scrolling mode is undefined.												

	In Vertical Scrolling Mode, MADCTL parameter MV should be set to '0' – this only affects the Frame Memory write.			
Register availability	Status		Availability	
	Normal Mode On, Idle Mode Off, Sleep Out		Yes	
	Normal Mode On, Idle Mode On, Sleep Out		Yes	
	Partial Mode On, Idle Mode Off, Sleep Out		Yes	
	Partial Mode On, Idle Mode On, Sleep Out		Yes	
	Sleep In		Yes	
Default	Status	Default Value		
	Power On Sequence	TFA[15:0] = 0000h	VSA[0:15] = 0140h	BFA[15:0] = 0000h
	S/W Reset	TFA[15:0] = 0000h	VSA[0:15] = 0140h	BFA[15:0] = 0000h
	H/W Reset	TFA[15:0] = 0000h	VSA[0:15] = 0140h	BFA[15:0] = 0000h

1. TO Enter Vertical Scroll Mode:

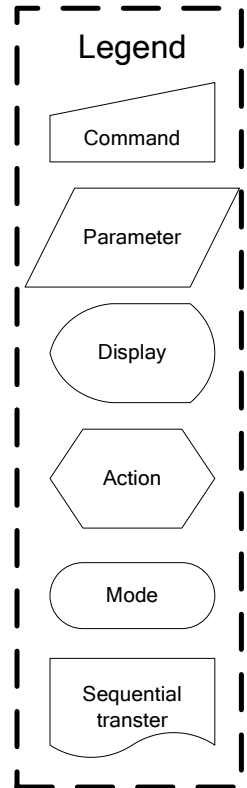
Flow Chart

Only required for non-rolling scrolling



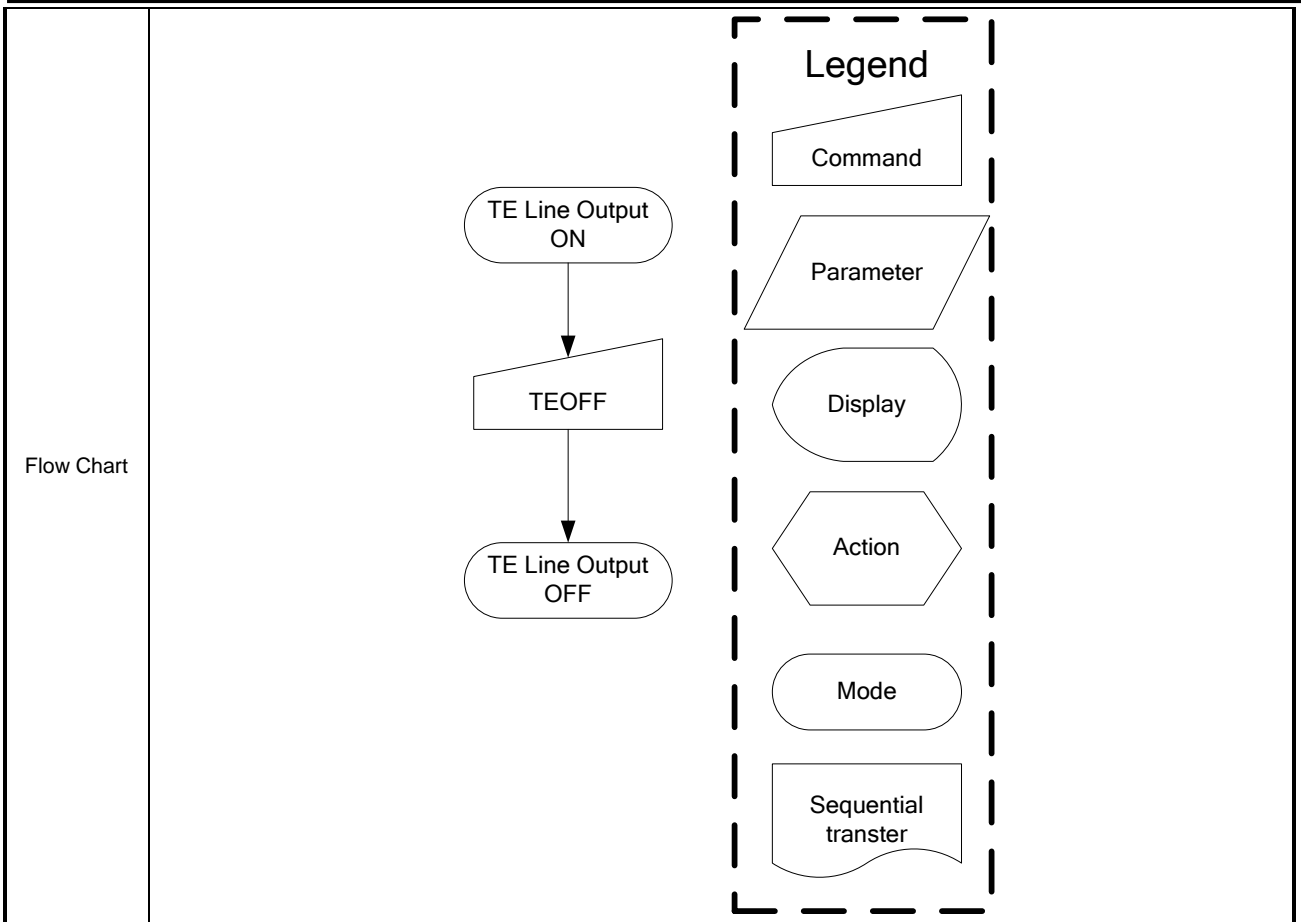
Redefines the Frame Memory Window that the scroll data will be written to.

Optional - It may be necessary to redefine the frame memory write direction.

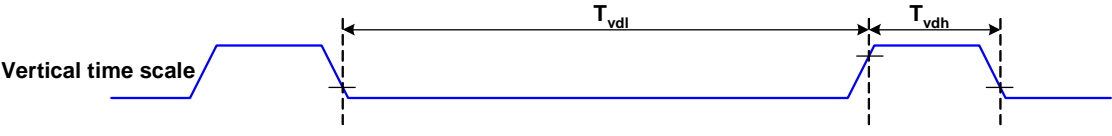
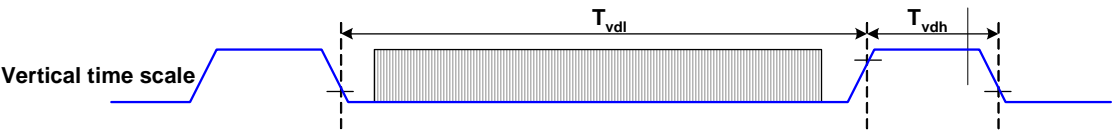


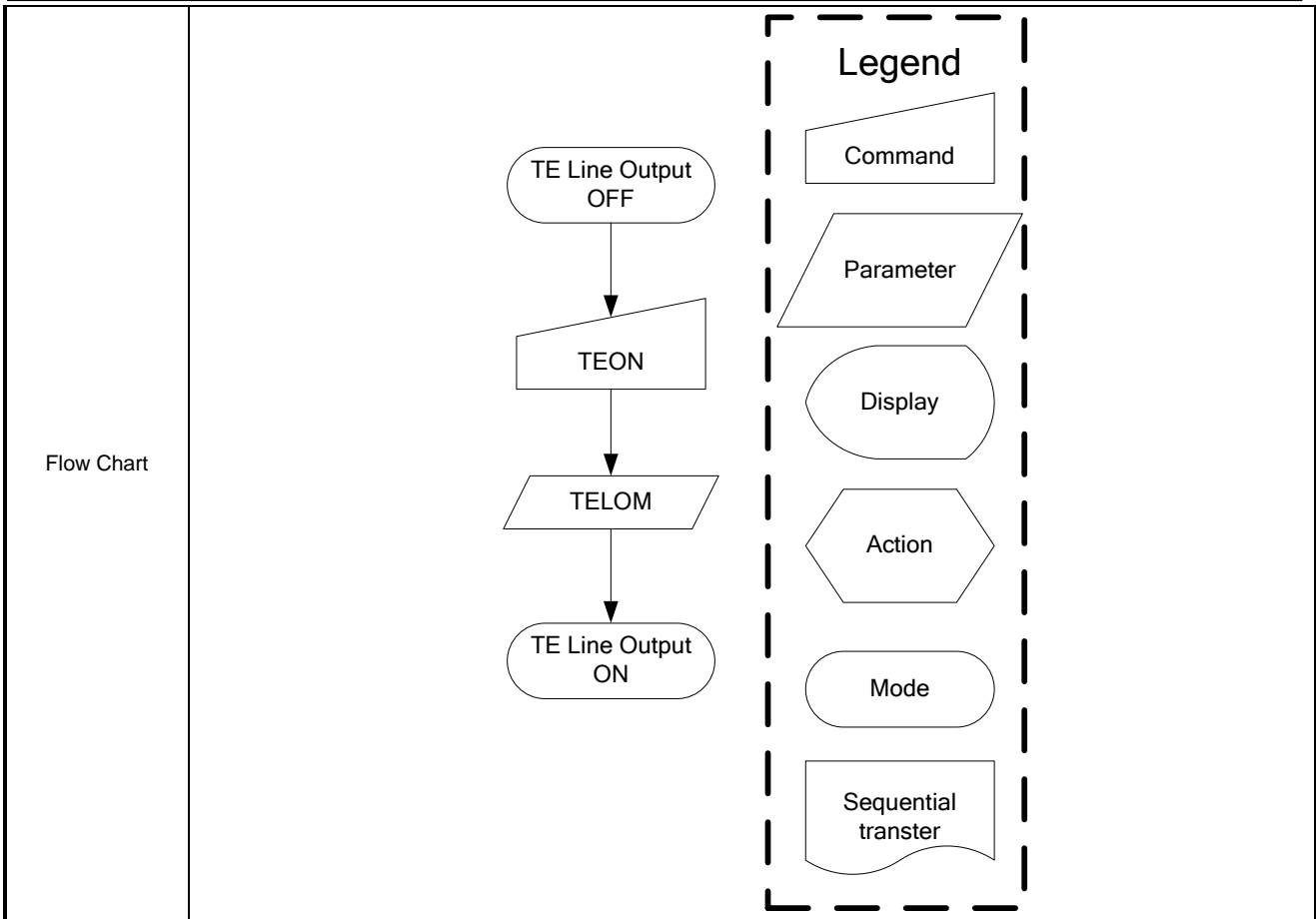
9.1.26 TEOFF (34h): Tearing Effect Line OFF

34H	TEOFF (Tearing Effect Line OFF)																								
Inst / Para	D/CX	WRX	RDX	D17-8	D7	D6	D5	D4	D3	D2	D1	D0	HEX												
TEOFF	0	↑	1	-	0	0	1	1	0	1	0	0	(34h)												
parameter	No Parameter																								
Description	-This command is used to turn OFF (Active Low) the Tearing Effect output signal from the TE signal line.																								
Restriction	This command has no effect when tearing effect output is already off..																								
Register availability	<table border="1"> <thead> <tr> <th>Status</th> <th>Availability</th> </tr> </thead> <tbody> <tr> <td>Normal Mode On, Idle Mode Off, Sleep Out</td> <td>Yes</td> </tr> <tr> <td>Normal Mode On, Idle Mode On, Sleep Out</td> <td>Yes</td> </tr> <tr> <td>Partial Mode On, Idle Mode Off, Sleep Out</td> <td>Yes</td> </tr> <tr> <td>Partial Mode On, Idle Mode On, Sleep Out</td> <td>Yes</td> </tr> <tr> <td>Sleep In</td> <td>Yes</td> </tr> </tbody> </table>													Status	Availability	Normal Mode On, Idle Mode Off, Sleep Out	Yes	Normal Mode On, Idle Mode On, Sleep Out	Yes	Partial Mode On, Idle Mode Off, Sleep Out	Yes	Partial Mode On, Idle Mode On, Sleep Out	Yes	Sleep In	Yes
Status	Availability																								
Normal Mode On, Idle Mode Off, Sleep Out	Yes																								
Normal Mode On, Idle Mode On, Sleep Out	Yes																								
Partial Mode On, Idle Mode Off, Sleep Out	Yes																								
Partial Mode On, Idle Mode On, Sleep Out	Yes																								
Sleep In	Yes																								
Default	<table border="1"> <thead> <tr> <th>Status</th> <th>Default Value</th> </tr> </thead> <tbody> <tr> <td>Power On Sequence</td> <td>Off</td> </tr> <tr> <td>S/W Reset</td> <td>Off</td> </tr> <tr> <td>H/W Reset</td> <td>Off</td> </tr> </tbody> </table>													Status	Default Value	Power On Sequence	Off	S/W Reset	Off	H/W Reset	Off				
Status	Default Value																								
Power On Sequence	Off																								
S/W Reset	Off																								
H/W Reset	Off																								



9.1.27 TEON (35h): Tearing Effect Line On

35H	TEON (Tearing Effect Line On)																								
Inst / Para	D/CX	WRX	RDX	D17-8	D7	D6	D5	D4	D3	D2	D1	D0	HEX												
TEON	0	↑	1	-	0	0	1	1	0	1	0	1	(35h)												
parameter	1	↑	1	-	0	0	0	0	0	0	0	TEM													
Description	<p>-This command is used to turn ON the Tearing Effect output signal from the TE signal line.</p> <p>-This output is not affected by changing MADCTL bit ML.</p> <p>-The Tearing Effect Line On has one parameter, which describes the mode of the Tearing Effect Output Line:</p> <p>-When TEM = '0': The Tearing Effect output line consists of V-Blanking information only</p>  <p>-When TEM = '1': The Tearing Effect output Line consists of both V-Blanking and H-Blanking information</p>  <p>Note: During Sleep In Mode with Tearing Effect Line On, Tearing Effect Output pin will be active Low.</p>																								
Restriction	This command has no effect when tearing effect output is already on.																								
Register availability	<table border="1"> <thead> <tr> <th>Status</th> <th>Availability</th> </tr> </thead> <tbody> <tr> <td>Normal Mode On, Idle Mode Off, Sleep Out</td> <td>Yes</td> </tr> <tr> <td>Normal Mode On, Idle Mode On, Sleep Out</td> <td>Yes</td> </tr> <tr> <td>Partial Mode On, Idle Mode Off, Sleep Out</td> <td>Yes</td> </tr> <tr> <td>Partial Mode On, Idle Mode On, Sleep Out</td> <td>Yes</td> </tr> <tr> <td>Sleep In</td> <td>Yes</td> </tr> </tbody> </table>													Status	Availability	Normal Mode On, Idle Mode Off, Sleep Out	Yes	Normal Mode On, Idle Mode On, Sleep Out	Yes	Partial Mode On, Idle Mode Off, Sleep Out	Yes	Partial Mode On, Idle Mode On, Sleep Out	Yes	Sleep In	Yes
Status	Availability																								
Normal Mode On, Idle Mode Off, Sleep Out	Yes																								
Normal Mode On, Idle Mode On, Sleep Out	Yes																								
Partial Mode On, Idle Mode Off, Sleep Out	Yes																								
Partial Mode On, Idle Mode On, Sleep Out	Yes																								
Sleep In	Yes																								
Default	<table border="1"> <thead> <tr> <th>Status</th> <th>Default Value</th> </tr> </thead> <tbody> <tr> <td>Power On Sequence</td> <td>Off</td> </tr> <tr> <td>S/W Reset</td> <td>Off</td> </tr> <tr> <td>H/W Reset</td> <td>Off</td> </tr> </tbody> </table>													Status	Default Value	Power On Sequence	Off	S/W Reset	Off	H/W Reset	Off				
Status	Default Value																								
Power On Sequence	Off																								
S/W Reset	Off																								
H/W Reset	Off																								



9.1.28 MADCTL (36h): Memory Data Access Control

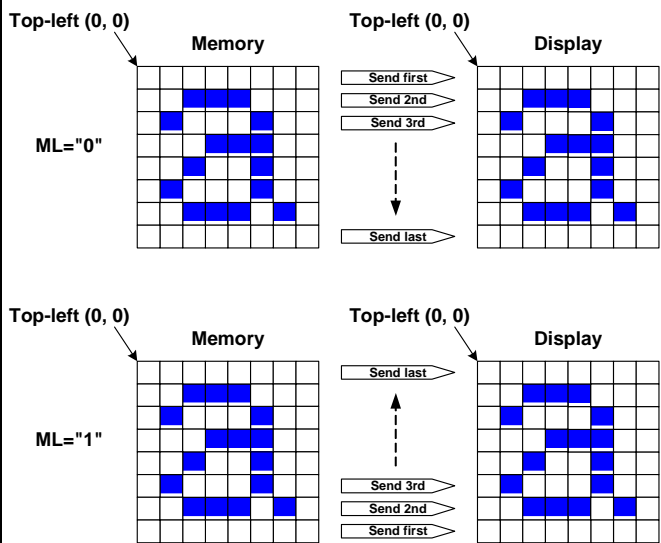
36H	MADCTL (Memory Data Access Control)												HEX
Inst / Para	D/CX	WRX	RDX	D17-8	D7	D6	D5	D4	D3	D2	D1	D0	HEX
MADCTL	0	↑	1	-	0	0	1	1	0	1	1	0	(36h)
parameter	1	↑	1	-	MY	MX	MV	ML	RGB	-	-	-	

-This command defines read/ write scanning direction of frame memory.

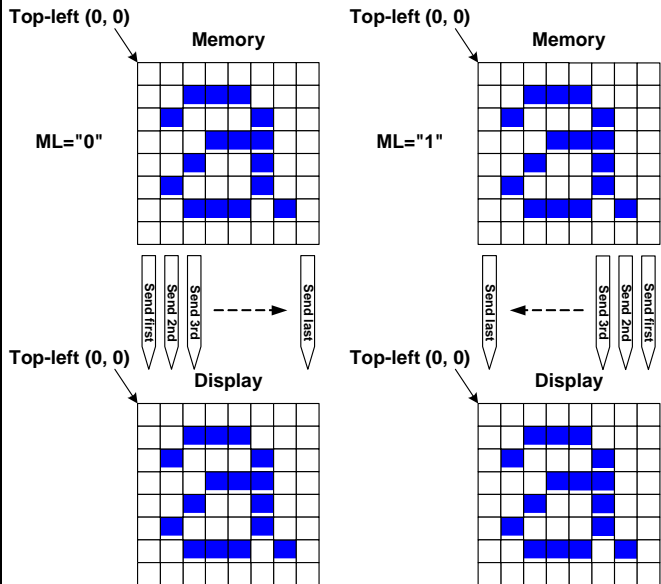
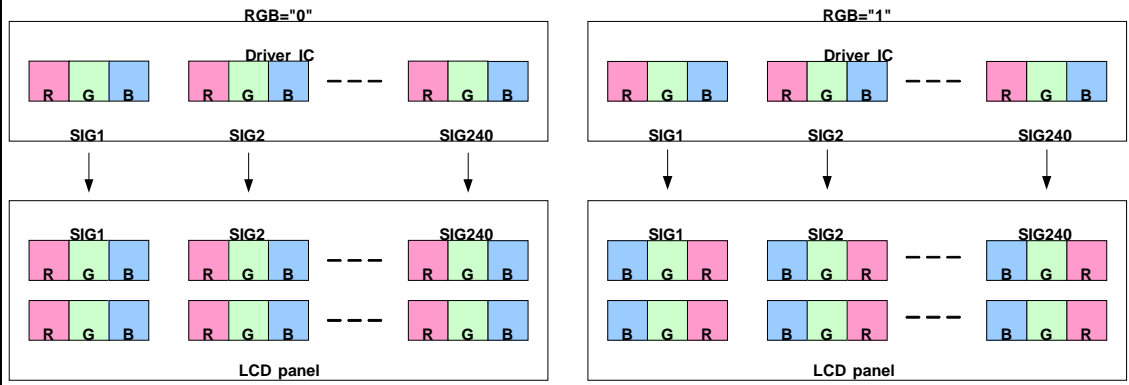
Bit	NAME	DESCRIPTION
MY	Row Address Order	These 3bits controls MCU to memory write/read direction.
MX	Column Address Order	
MV	Row/Column Exchange	
ML	Vertical Refresh Order	LCD vertical refresh direction control '0' = LCD vertical refresh Top to Bottom '1' = LCD vertical refresh Bottom to Top
RGB	RGB-BGR ORDER	Color selector switch control '0' =RGB color filter panel, '1' =BGR color filter panel)

-Bit Assignment

Description







Restriction

Register availability

Status	Availability
Normal Mode On, Idle Mode Off, Sleep Out	Yes
Normal Mode On, Idle Mode On, Sleep Out	Yes
Partial Mode On, Idle Mode Off, Sleep Out	Yes
Partial Mode On, Idle Mode On, Sleep Out	Yes
Sleep In	Yes

Default	<table border="1"> <thead> <tr> <th>Status</th> <th>Default Value</th> </tr> </thead> <tbody> <tr> <td>Power On Sequence</td> <td>0000h</td> </tr> <tr> <td>S/W Reset</td> <td>No change</td> </tr> <tr> <td>H/W Reset</td> <td>0000h</td> </tr> </tbody> </table>	Status	Default Value	Power On Sequence	0000h	S/W Reset	No change	H/W Reset	0000h
	Status	Default Value							
	Power On Sequence	0000h							
	S/W Reset	No change							
H/W Reset	0000h								
Flow Chart	<p>The flow chart shows a trapezoidal shape labeled 'MADCTL' with an arrow pointing down to a parallelogram labeled '1st parameter B[7:0]'. To the right is a legend box containing six symbols: a trapezoid for 'Command', a parallelogram for 'Parameter', an oval for 'Display', a hexagon for 'Action', a rounded rectangle for 'Mode', and a wavy-bottom rectangle for 'Sequential transfer'.</p>								

9.1.29 VSCSAD (37h): Vertical Scroll Start Address of RAM

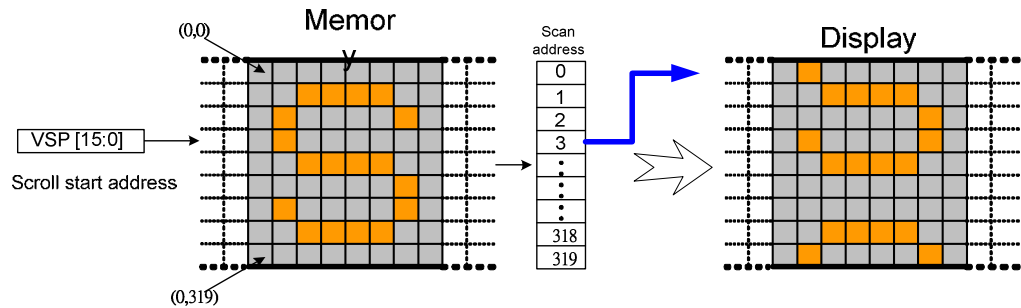
37H	VSCSAD (Vertical Scroll Start Address of RAM)												
Inst / Para	D/CX	WRX	RDX	D17-8	D7	D6	D5	D4	D3	D2	D1	D0	HEX
VSCSAD	0	↑	1	-	0	0	1	1	0	1	1	1	(37h)
1 <sup>ST</sup> parameter	1	↑	1	-	VSP15	VSP14	VSP13	VSP12	VSP11	VSP10	VSP9	VSP8	
2 <sup>ND</sup> parameter	1	↑	1	-	VSP7	VSP6	VSP5	VSP4	VSP3	VSP2	VSP1	VSP0	

-This command is used together with Vertical Scrolling Definition (33h).  
 -These two commands describe the scrolling area and the scrolling mode.  
 -The Vertical Scrolling Start Address command has one parameter which describes which line in the Frame Memory will be written as the first line after the last line of the Top Fixed Area on the display as illustrated below:

When ML=0

Example:

When Top Fixed Area = Bottom Fixed Area = 00, vertical Scrolling Area = 320 and VSP = '3'

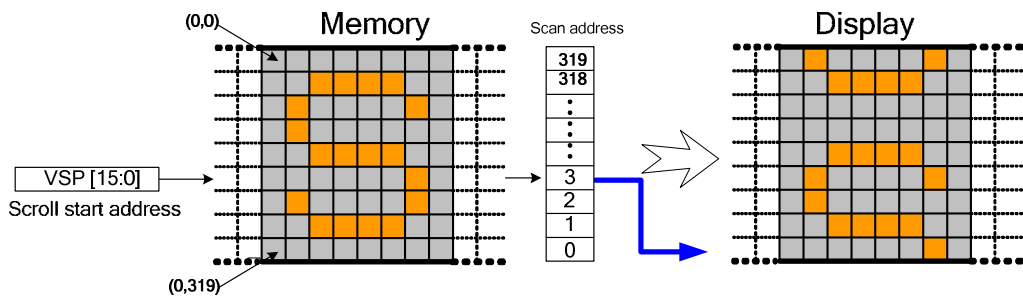


Description

When ML=1

Example:

When Top Fixed Area = Bottom Fixed Area = 00, vertical Scrolling Area = 320 and VSP = '3'



NOTE: When new Pointer position and Picture Data are sent, the result on the display will happen at the next Panel Scan to avoid tearing effect.

VSP refers to the Frame Memory line Pointer

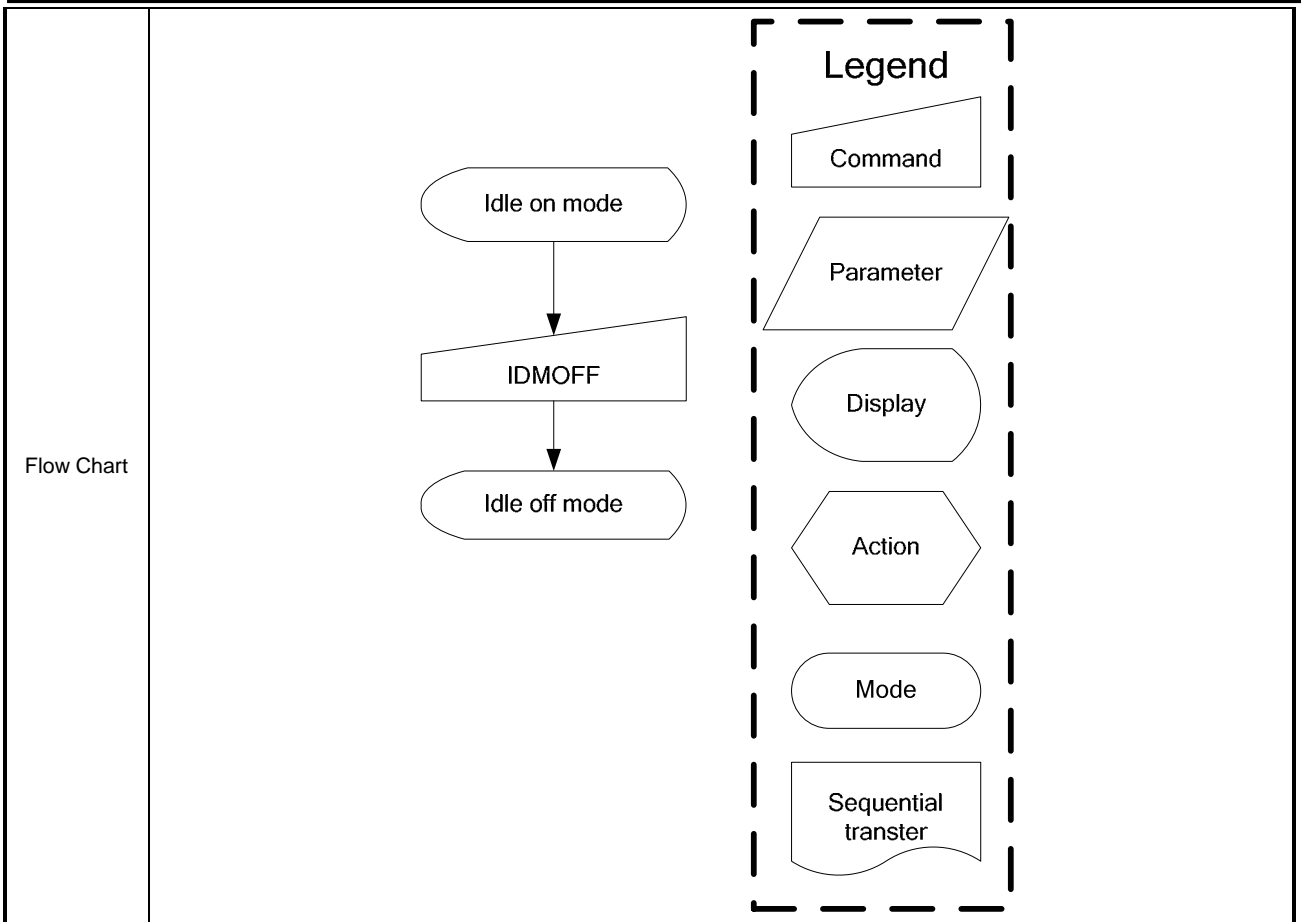
Restriction	Since the value of the vertical scrolling start address is absolute (with reference to the frame memory), it must not enter the fixed area (defined by Vertical Scrolling Definition (33h)- otherwise undesirable image will be displayed on the panel)
-------------	---

Register availability	
-----------------------	--

	<table border="1"> <thead> <tr> <th>Status</th> <th>Availability</th> </tr> </thead> <tbody> <tr> <td>Normal Mode On, Idle Mode Off, Sleep Out</td> <td>Yes</td> </tr> <tr> <td>Normal Mode On, Idle Mode On, Sleep Out</td> <td>Yes</td> </tr> <tr> <td>Partial Mode On, Idle Mode Off, Sleep Out</td> <td>Yes</td> </tr> <tr> <td>Partial Mode On, Idle Mode On, Sleep Out</td> <td>Yes</td> </tr> <tr> <td>Sleep In</td> <td>Yes</td> </tr> </tbody> </table>	Status	Availability	Normal Mode On, Idle Mode Off, Sleep Out	Yes	Normal Mode On, Idle Mode On, Sleep Out	Yes	Partial Mode On, Idle Mode Off, Sleep Out	Yes	Partial Mode On, Idle Mode On, Sleep Out	Yes	Sleep In	Yes
Status	Availability												
Normal Mode On, Idle Mode Off, Sleep Out	Yes												
Normal Mode On, Idle Mode On, Sleep Out	Yes												
Partial Mode On, Idle Mode Off, Sleep Out	Yes												
Partial Mode On, Idle Mode On, Sleep Out	Yes												
Sleep In	Yes												
Default	<table border="1"> <thead> <tr> <th>Status</th> <th>Default Value</th> </tr> </thead> <tbody> <tr> <td>Power On Sequence</td> <td>0000h</td> </tr> <tr> <td>S/W Reset</td> <td>0000h</td> </tr> <tr> <td>H/W Reset</td> <td>0000h</td> </tr> </tbody> </table>	Status	Default Value	Power On Sequence	0000h	S/W Reset	0000h	H/W Reset	0000h				
Status	Default Value												
Power On Sequence	0000h												
S/W Reset	0000h												
H/W Reset	0000h												
Flow Chart	See Vertical Scrolling Definition (33h) description												

9.1.30 IDMOFF (38h): Idle Mode Off

38H	IDMOFF (Idle Mode Off)																								
Inst / Para	D/CX	WRX	RDX	D17-8	D7	D6	D5	D4	D3	D2	D1	D0	HEX												
IDMOFF	0	↑	1	-	0	0	1	1	1	0	0	0	(38h)												
parameter	No Parameter																								
Description	-This command is used to recover from Idle mode on. -In the idle off mode, 1. LCD can display 4096, 65k or 262k colors. 2. Normal frame frequency is applied.																								
Restriction	This command has no effect when module is already in idle off mode																								
Register availability	<table border="1"> <thead> <tr> <th>Status</th> <th>Availability</th> </tr> </thead> <tbody> <tr> <td>Normal Mode On, Idle Mode Off, Sleep Out</td> <td>Yes</td> </tr> <tr> <td>Normal Mode On, Idle Mode On, Sleep Out</td> <td>Yes</td> </tr> <tr> <td>Partial Mode On, Idle Mode Off, Sleep Out</td> <td>Yes</td> </tr> <tr> <td>Partial Mode On, Idle Mode On, Sleep Out</td> <td>Yes</td> </tr> <tr> <td>Sleep In</td> <td>Yes</td> </tr> </tbody> </table>													Status	Availability	Normal Mode On, Idle Mode Off, Sleep Out	Yes	Normal Mode On, Idle Mode On, Sleep Out	Yes	Partial Mode On, Idle Mode Off, Sleep Out	Yes	Partial Mode On, Idle Mode On, Sleep Out	Yes	Sleep In	Yes
Status	Availability																								
Normal Mode On, Idle Mode Off, Sleep Out	Yes																								
Normal Mode On, Idle Mode On, Sleep Out	Yes																								
Partial Mode On, Idle Mode Off, Sleep Out	Yes																								
Partial Mode On, Idle Mode On, Sleep Out	Yes																								
Sleep In	Yes																								
Default	<table border="1"> <thead> <tr> <th>Status</th> <th>Default Value</th> </tr> </thead> <tbody> <tr> <td>Power On Sequence</td> <td>Idle mode off</td> </tr> <tr> <td>S/W Reset</td> <td>Idle mode off</td> </tr> <tr> <td>H/W Reset</td> <td>Idle mode off</td> </tr> </tbody> </table>													Status	Default Value	Power On Sequence	Idle mode off	S/W Reset	Idle mode off	H/W Reset	Idle mode off				
Status	Default Value																								
Power On Sequence	Idle mode off																								
S/W Reset	Idle mode off																								
H/W Reset	Idle mode off																								



9.1.31 IDMON (39h): Idle mode on

39H	IDMON (Idle Mode On)												HEX																																			
Inst / Para	D/CX	WRX	RDX	D17-8	D7	D6	D5	D4	D3	D2	D1	D0	HEX																																			
IDMON	0	↑	1	-	0	0	1	1	1	0	0	1	(39h)																																			
parameter	No Parameter																																															
Description	<p>-This command is used to enter into Idle mode on.</p> <p>-There will be no abnormal visible effect on the display mode change transition.</p> <p>-In the idle on mode,</p> <ol style="list-style-type: none"> <li>Color expression is reduced. The primary and the secondary colors using MSB of each R,G and B in the Frame Memory, 8 color depth data is displayed.</li> <li>8-Color mode frame frequency is applied.</li> <li>Exit from IDMON by Idle Mode Off (38h) command</li> </ol>																																															
	<div style="text-align: center;"> <p>Top-Left (0,0)      (Example) Memory      Display</p> </div> <table border="1" style="margin: 10px auto; width: 80%;"> <thead> <tr> <th>Color</th> <th>R5 R4 R3 R2 R1 R0</th> <th>G5 G4 G3 G2 G1 G0</th> <th>B5 B4 B3 B4 B1 B0</th> </tr> </thead> <tbody> <tr> <td>Black</td> <td>0xxxxx</td> <td>0xxxxx</td> <td>0xxxxx</td> </tr> <tr> <td>Blue</td> <td>0xxxxx</td> <td>0xxxxx</td> <td>1xxxxx</td> </tr> <tr> <td>Red</td> <td>1xxxxx</td> <td>0xxxxx</td> <td>0xxxxx</td> </tr> <tr> <td>Magenta</td> <td>1xxxxx</td> <td>0xxxxx</td> <td>1xxxxx</td> </tr> <tr> <td>Green</td> <td>0xxxxx</td> <td>1xxxxx</td> <td>0xxxxx</td> </tr> <tr> <td>Cyan</td> <td>0xxxxx</td> <td>1xxxxx</td> <td>1xxxxx</td> </tr> <tr> <td>Yellow</td> <td>1xxxxx</td> <td>1xxxxx</td> <td>0xxxxx</td> </tr> <tr> <td>White</td> <td>1xxxxx</td> <td>1xxxxx</td> <td>1xxxxx</td> </tr> </tbody> </table>													Color	R5 R4 R3 R2 R1 R0	G5 G4 G3 G2 G1 G0	B5 B4 B3 B4 B1 B0	Black	0xxxxx	0xxxxx	0xxxxx	Blue	0xxxxx	0xxxxx	1xxxxx	Red	1xxxxx	0xxxxx	0xxxxx	Magenta	1xxxxx	0xxxxx	1xxxxx	Green	0xxxxx	1xxxxx	0xxxxx	Cyan	0xxxxx	1xxxxx	1xxxxx	Yellow	1xxxxx	1xxxxx	0xxxxx	White	1xxxxx	1xxxxx
Color	R5 R4 R3 R2 R1 R0	G5 G4 G3 G2 G1 G0	B5 B4 B3 B4 B1 B0																																													
Black	0xxxxx	0xxxxx	0xxxxx																																													
Blue	0xxxxx	0xxxxx	1xxxxx																																													
Red	1xxxxx	0xxxxx	0xxxxx																																													
Magenta	1xxxxx	0xxxxx	1xxxxx																																													
Green	0xxxxx	1xxxxx	0xxxxx																																													
Cyan	0xxxxx	1xxxxx	1xxxxx																																													
Yellow	1xxxxx	1xxxxx	0xxxxx																																													
White	1xxxxx	1xxxxx	1xxxxx																																													
Restriction	This command has no effect when module is already in idle off mode																																															
Register availability	<table border="1" style="margin: 10px auto; width: 80%;"> <thead> <tr> <th>Status</th> <th>Availability</th> </tr> </thead> <tbody> <tr> <td>Normal Mode On, Idle Mode Off, Sleep Out</td> <td>Yes</td> </tr> <tr> <td>Normal Mode On, Idle Mode On, Sleep Out</td> <td>Yes</td> </tr> <tr> <td>Partial Mode On, Idle Mode Off, Sleep Out</td> <td>Yes</td> </tr> <tr> <td>Partial Mode On, Idle Mode On, Sleep Out</td> <td>Yes</td> </tr> <tr> <td>Sleep In</td> <td>Yes</td> </tr> </tbody> </table>													Status	Availability	Normal Mode On, Idle Mode Off, Sleep Out	Yes	Normal Mode On, Idle Mode On, Sleep Out	Yes	Partial Mode On, Idle Mode Off, Sleep Out	Yes	Partial Mode On, Idle Mode On, Sleep Out	Yes	Sleep In	Yes																							
Status	Availability																																															
Normal Mode On, Idle Mode Off, Sleep Out	Yes																																															
Normal Mode On, Idle Mode On, Sleep Out	Yes																																															
Partial Mode On, Idle Mode Off, Sleep Out	Yes																																															
Partial Mode On, Idle Mode On, Sleep Out	Yes																																															
Sleep In	Yes																																															

<p>Default</p>	<table border="1"> <thead> <tr> <th>Status</th> <th>Default Value</th> </tr> </thead> <tbody> <tr> <td>Power On Sequence</td> <td>Idle mode off</td> </tr> <tr> <td>S/W Reset</td> <td>Idle mode off</td> </tr> <tr> <td>H/W Reset</td> <td>Idle mode off</td> </tr> </tbody> </table>	Status	Default Value	Power On Sequence	Idle mode off	S/W Reset	Idle mode off	H/W Reset	Idle mode off
Status	Default Value								
Power On Sequence	Idle mode off								
S/W Reset	Idle mode off								
H/W Reset	Idle mode off								
<p>Flow Chart</p>	<div style="display: flex; align-items: center;"> <div style="flex: 1;"> <pre> graph TD     A([Idle off mode]) --&gt; B[/IDMON/]     B --&gt; C([Idle on mode])             </pre> </div> <div style="flex: 1; border: 1px dashed black; padding: 5px;"> <p><b>Legend</b></p> <ul style="list-style-type: none"> <li> Command</li> <li> Parameter</li> <li> Display</li> <li> Action</li> <li> Mode</li> <li> Sequential transfer</li> </ul> </div> </div>								



9.1.32 COLMOD (3Ah): Interface Pixel Format

3AH	COLMOD (Interface Pixel Format)																															
Inst / Para	D/CX	WRX	RDX	D17-8	D7	D6	D5	D4	D3	D2	D1	D0	HEX																			
COLMOD	0	↑	1	-	0	0	1	1	1	0	1	0	(3Ah)																			
1 <sup>st</sup> Parameter	1	↑	1	-	0	D6	D5	D4	0	D2	D1	D0																				
Description	<p>This command is used to define the format of RGB picture data, which is to be transferred via the MCU interface. The formats are shown in the table:</p> <p>1<sup>st</sup> parameter:</p> <table border="1"> <thead> <tr> <th>Bit</th> <th>Description</th> <th></th> </tr> </thead> <tbody> <tr> <td>D7</td> <td>-</td> <td>Set to '0'</td> </tr> <tr> <td>D6</td> <td rowspan="3">RGB interface color format</td> <td rowspan="3">'101' = 65K of RGB interface '110' = 262K of RGB interface</td> </tr> <tr> <td>D5</td> </tr> <tr> <td>D4</td> </tr> <tr> <td>D3</td> <td>-</td> <td>Set to '0'</td> </tr> <tr> <td>D2</td> <td rowspan="3">Control interface color format</td> <td rowspan="3">'011' = 12bit/pixel '101' = 16bit/pixel '110' = 18bit/pixel '111' = 16M truncated</td> </tr> <tr> <td>D1</td> </tr> <tr> <td>D0</td> </tr> </tbody> </table> <p><i>Note1: In 12-bit/Pixel, 16-bit/Pixel or 18-bit/Pixel mode, the LUT is applied to transfer data into the Frame Memory.</i>  <i>Note2: The Command 3Ah should be set at 55h when writing 16-bit/pixel data into frame memory, but 3Ah should be re-set to 66h when reading pixel data from frame memory.</i></p>													Bit	Description		D7	-	Set to '0'	D6	RGB interface color format	'101' = 65K of RGB interface '110' = 262K of RGB interface	D5	D4	D3	-	Set to '0'	D2	Control interface color format	'011' = 12bit/pixel '101' = 16bit/pixel '110' = 18bit/pixel '111' = 16M truncated	D1	D0
	Bit	Description																														
D7	-	Set to '0'																														
D6	RGB interface color format	'101' = 65K of RGB interface '110' = 262K of RGB interface																														
D5																																
D4																																
D3	-	Set to '0'																														
D2	Control interface color format	'011' = 12bit/pixel '101' = 16bit/pixel '110' = 18bit/pixel '111' = 16M truncated																														
D1																																
D0																																
Restriction																																
Register availability	<table border="1"> <thead> <tr> <th>Status</th> <th>Availability</th> </tr> </thead> <tbody> <tr> <td>Normal Mode On, Idle Mode Off, Sleep Out</td> <td>Yes</td> </tr> <tr> <td>Normal Mode On, Idle Mode On, Sleep Out</td> <td>Yes</td> </tr> <tr> <td>Partial Mode On, Idle Mode Off, Sleep Out</td> <td>Yes</td> </tr> <tr> <td>Partial Mode On, Idle Mode On, Sleep Out</td> <td>Yes</td> </tr> <tr> <td>Sleep In</td> <td>Yes</td> </tr> </tbody> </table>													Status	Availability	Normal Mode On, Idle Mode Off, Sleep Out	Yes	Normal Mode On, Idle Mode On, Sleep Out	Yes	Partial Mode On, Idle Mode Off, Sleep Out	Yes	Partial Mode On, Idle Mode On, Sleep Out	Yes	Sleep In	Yes							
	Status	Availability																														
Normal Mode On, Idle Mode Off, Sleep Out	Yes																															
Normal Mode On, Idle Mode On, Sleep Out	Yes																															
Partial Mode On, Idle Mode Off, Sleep Out	Yes																															
Partial Mode On, Idle Mode On, Sleep Out	Yes																															
Sleep In	Yes																															
Default	<table border="1"> <thead> <tr> <th>Status</th> <th>Default Value</th> </tr> </thead> <tbody> <tr> <td>Power On Sequence</td> <td>18bit/pixel</td> </tr> <tr> <td>S/W Reset</td> <td>No change</td> </tr> <tr> <td>H/W Reset</td> <td>18bit/pixel</td> </tr> </tbody> </table>													Status	Default Value	Power On Sequence	18bit/pixel	S/W Reset	No change	H/W Reset	18bit/pixel											
Status	Default Value																															
Power On Sequence	18bit/pixel																															
S/W Reset	No change																															
H/W Reset	18bit/pixel																															
Flow Chart	See Vertical Scrolling Definition (33h) description																															

9.1.33 WRMEMC (3Ch): Write Memory Continue

3CH	WRMEMC (Write Memory Continue)																								
Inst / Para	D/CX	WRX	RDX	D17-8	D7	D6	D5	D4	D3	D2	D1	D0	HEX												
WRMEMC	0	↑	1	-	0	0	1	1	1	1	0	0	(3Ch)												
1 <sup>ST</sup> parameter	1	↑	1	D1[17]-D1[8]	D1[7]	D1[6]	D1[5]	D1[4]	D1[3]	D1[2]	D1[1]	D1[0]													
:	1	↑	1	Dx[17]-Dx[8]	Dx[7]	Dx[6]	Dx[5]	Dx[4]	Dx[3]	Dx[2]	Dx[1]	Dx[0]													
N <sup>th</sup> parameter	1	↑	1	Dn[17]-Dn[8]	Dn[7]	Dn[6]	Dn[5]	Dn[4]	Dn[3]	Dn[2]	Dn[1]	Dn[0]													
Description	<p>-This command transfers image data from the host processor to the display module's frame memory continuing from the pixel location following the previous write memory continue or memory write command.</p> <p>-If MV=0: Data is written continuing from the pixel location after the write range of the previous memory write or write memory continue. The column register is then incremented and pixels are written to the frame memory until the column register equals the end column (XE) value. The column register is then reset to XS and the page register is incremented. Pixels are written to the frame memory until the page register equals the end page (YE) value and the column register equals the XE value, or the host processor sends another command. If the number of pixels exceeds (XE-XS+1)*(YE-YS+1) the extra pixels are ignored.</p> <p>If MV=1: Data is written continuing from the pixel location after the write range of the previous memory write or write memory continue. The page register is then incremented and pixels are written to the frame memory until the page register equals the end page (YE) value. The page register is then reset to YS and the column register is incremented. Pixels are written to the frame memory until the column register equals the end column (XE) value and the page register equals the YE value, or the host processor sends another command. If the number of pixels exceeds (XE-XS+1)*(YE-YS+1) the extra pixels are ignored.</p>																								
Restriction	A memory write should follow a column address set or page address set to define the write address. Otherwise, data written with write memory continue is written to undefined addresses.																								
Register availability	<table border="1"> <thead> <tr> <th>Status</th> <th>Availability</th> </tr> </thead> <tbody> <tr> <td>Normal Mode On, Idle Mode Off, Sleep Out</td> <td>Yes</td> </tr> <tr> <td>Normal Mode On, Idle Mode On, Sleep Out</td> <td>Yes</td> </tr> <tr> <td>Partial Mode On, Idle Mode Off, Sleep Out</td> <td>Yes</td> </tr> <tr> <td>Partial Mode On, Idle Mode On, Sleep Out</td> <td>Yes</td> </tr> <tr> <td>Sleep In</td> <td>Yes</td> </tr> </tbody> </table>													Status	Availability	Normal Mode On, Idle Mode Off, Sleep Out	Yes	Normal Mode On, Idle Mode On, Sleep Out	Yes	Partial Mode On, Idle Mode Off, Sleep Out	Yes	Partial Mode On, Idle Mode On, Sleep Out	Yes	Sleep In	Yes
Status	Availability																								
Normal Mode On, Idle Mode Off, Sleep Out	Yes																								
Normal Mode On, Idle Mode On, Sleep Out	Yes																								
Partial Mode On, Idle Mode Off, Sleep Out	Yes																								
Partial Mode On, Idle Mode On, Sleep Out	Yes																								
Sleep In	Yes																								

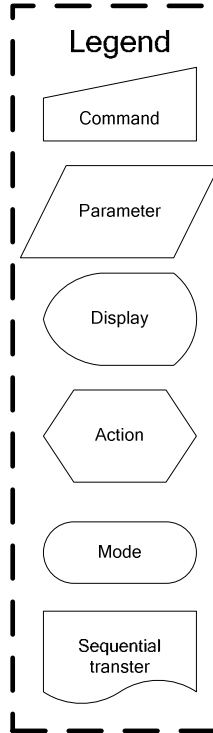
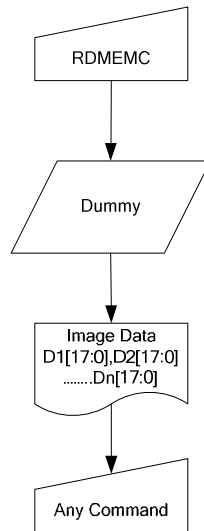
<p>Default</p>	<table border="1"> <thead> <tr> <th>Status</th> <th>Default Value</th> </tr> </thead> <tbody> <tr> <td>Power On Sequence</td> <td>Contents of memory is set randomly</td> </tr> <tr> <td>S/W Reset</td> <td>Contents of memory is not cleared</td> </tr> <tr> <td>H/W Reset</td> <td>Contents of memory is not cleared</td> </tr> </tbody> </table>	Status	Default Value	Power On Sequence	Contents of memory is set randomly	S/W Reset	Contents of memory is not cleared	H/W Reset	Contents of memory is not cleared
Status	Default Value								
Power On Sequence	Contents of memory is set randomly								
S/W Reset	Contents of memory is not cleared								
H/W Reset	Contents of memory is not cleared								
<p>Flow Chart</p>	<pre> graph TD     A[WRMEMC] --&gt; B[Image Data D1[17:0], D2[17:0] ..... Dn[17:0]]     B --&gt; C[Any Command]     </pre> <p><b>Legend</b></p> <ul style="list-style-type: none"> <li>Command</li> <li>Parameter</li> <li>Display</li> <li>Action</li> <li>Mode</li> <li>Sequential transfer</li> </ul>								

9.1.34 RDMEMC (3Eh): Read Memory Continue

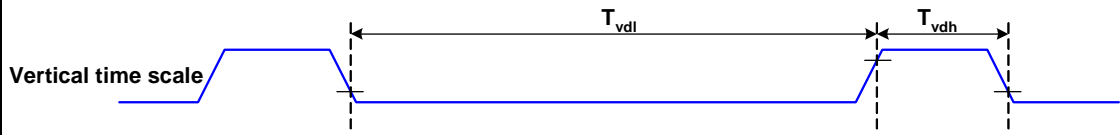
3EH	RDMEMC (Read Memory Continue)																								
Inst / Para	D/CX	WRX	RDX	D17-8	D7	D6	D5	D4	D3	D2	D1	D0	HEX												
RDMEMC	0	↑	1	-	0	0	1	1	1	1	1	0	(3Eh)												
1 <sup>ST</sup> parameter	1	1	↑	-	-	-	-	-	-	-	-	-													
2 <sup>nd</sup> parameter	1	1	↑	D1[17]-D1[8]	D1[7]	D1[6]	D1[5]	D1[4]	D1[3]	D1[2]	D1[1]	D1[0]													
⋮	1	1	↑	Dx[17]-Dx[8]	Dx[7]	Dx[6]	Dx[5]	Dx[4]	Dx[3]	Dx[2]	Dx[1]	Dx[0]													
N <sup>th</sup> parameter	1	1	↑	Dn[17]-Dn[8]	Dn[7]	Dn[6]	Dn[5]	Dn[4]	Dn[3]	Dn[2]	Dn[1]	Dn[0]													
Description	<p>-This command transfers image data from the host processor to the display module's frame memory continuing from the pixel location following the previous read memory continue or memory read command.</p> <p>-If MV=0:</p> <p>Pixels are read continuing from the pixel location after the read range of the previous memory read or read memory continue. The column register is then incremented and pixels are read from the frame memory until the column register equals the end column (XE) value. The column register is then reset to XS and the page register is incremented. Pixels are read from the frame memory until the page register equals the end page (YE) value and the column register equals the XE value, or the host processor sends another command.</p> <p>If MV=1:</p> <p>Pixels are read continuing from the pixel location after the read range of the previous memory read or read memory continue. The page register is then incremented and pixels are read from the frame memory until the page register equals the end page (YE) value. The page register is then reset to YS and the column register is incremented. Pixels are read from the frame memory until the column register equals the end column (XE) value and the page register equals the YE value, or the host processor sends another command.</p>																								
Restriction	Regardless of the color mode set in interface pixel format, the pixel format returned by read memory continue is always 18-bit so there is no restriction on the length of data																								
Register availability	<table border="1"> <thead> <tr> <th>Status</th> <th>Availability</th> </tr> </thead> <tbody> <tr> <td>Normal Mode On, Idle Mode Off, Sleep Out</td> <td>Yes</td> </tr> <tr> <td>Normal Mode On, Idle Mode On, Sleep Out</td> <td>Yes</td> </tr> <tr> <td>Partial Mode On, Idle Mode Off, Sleep Out</td> <td>Yes</td> </tr> <tr> <td>Partial Mode On, Idle Mode On, Sleep Out</td> <td>Yes</td> </tr> <tr> <td>Sleep In</td> <td>Yes</td> </tr> </tbody> </table>													Status	Availability	Normal Mode On, Idle Mode Off, Sleep Out	Yes	Normal Mode On, Idle Mode On, Sleep Out	Yes	Partial Mode On, Idle Mode Off, Sleep Out	Yes	Partial Mode On, Idle Mode On, Sleep Out	Yes	Sleep In	Yes
Status	Availability																								
Normal Mode On, Idle Mode Off, Sleep Out	Yes																								
Normal Mode On, Idle Mode On, Sleep Out	Yes																								
Partial Mode On, Idle Mode Off, Sleep Out	Yes																								
Partial Mode On, Idle Mode On, Sleep Out	Yes																								
Sleep In	Yes																								
Default	<table border="1"> <thead> <tr> <th>Status</th> <th>Default Value</th> </tr> </thead> <tbody> <tr> <td>Power On Sequence</td> <td>Contents of memory is set randomly</td> </tr> <tr> <td>S/W Reset</td> <td>Contents of memory is not cleared</td> </tr> </tbody> </table>													Status	Default Value	Power On Sequence	Contents of memory is set randomly	S/W Reset	Contents of memory is not cleared						
Status	Default Value																								
Power On Sequence	Contents of memory is set randomly																								
S/W Reset	Contents of memory is not cleared																								

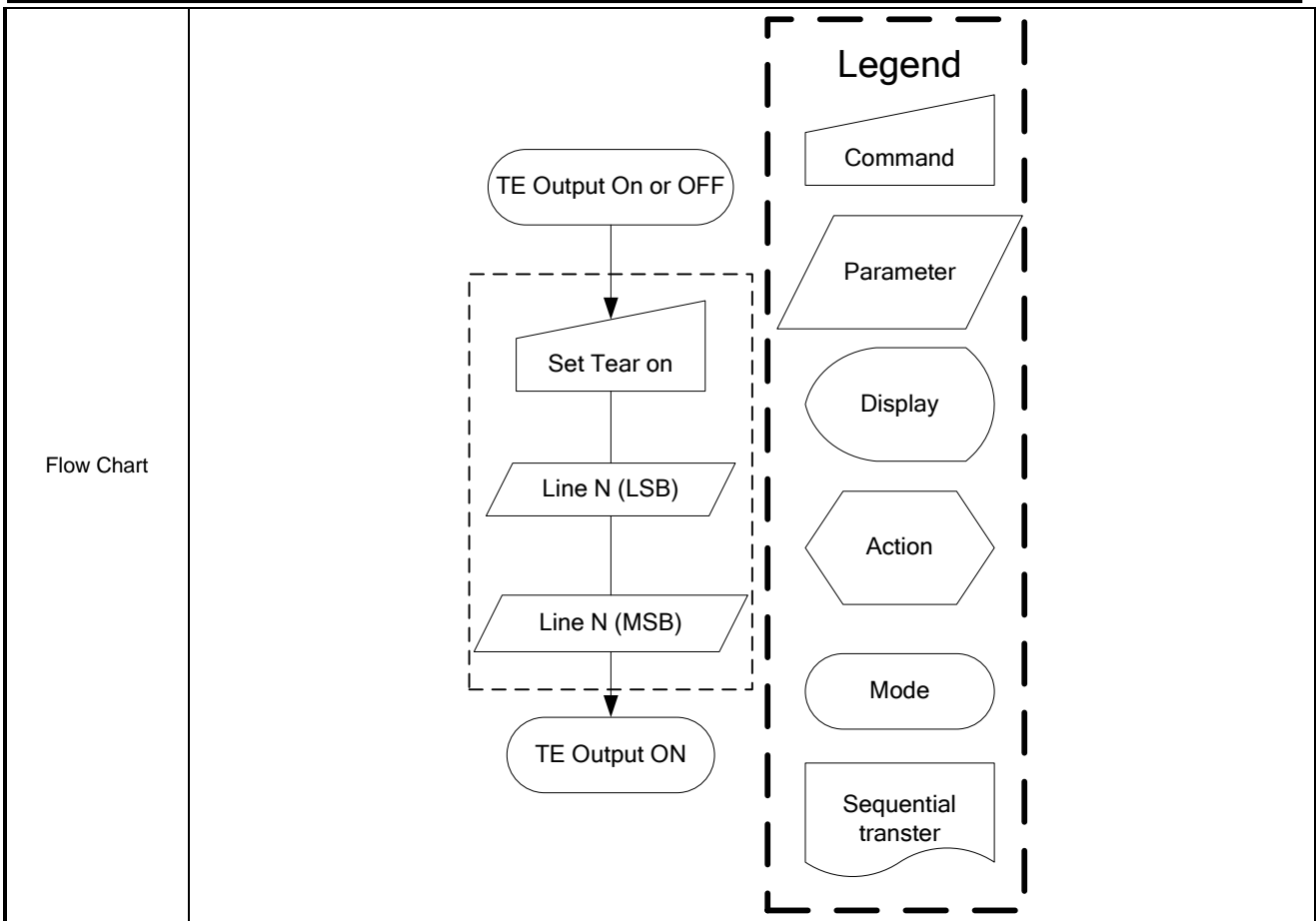
H/W Reset	Contents of memory is not cleared
-----------	-----------------------------------

Flow Chart



9.1.35 STE (44h): Set Tear Scanline

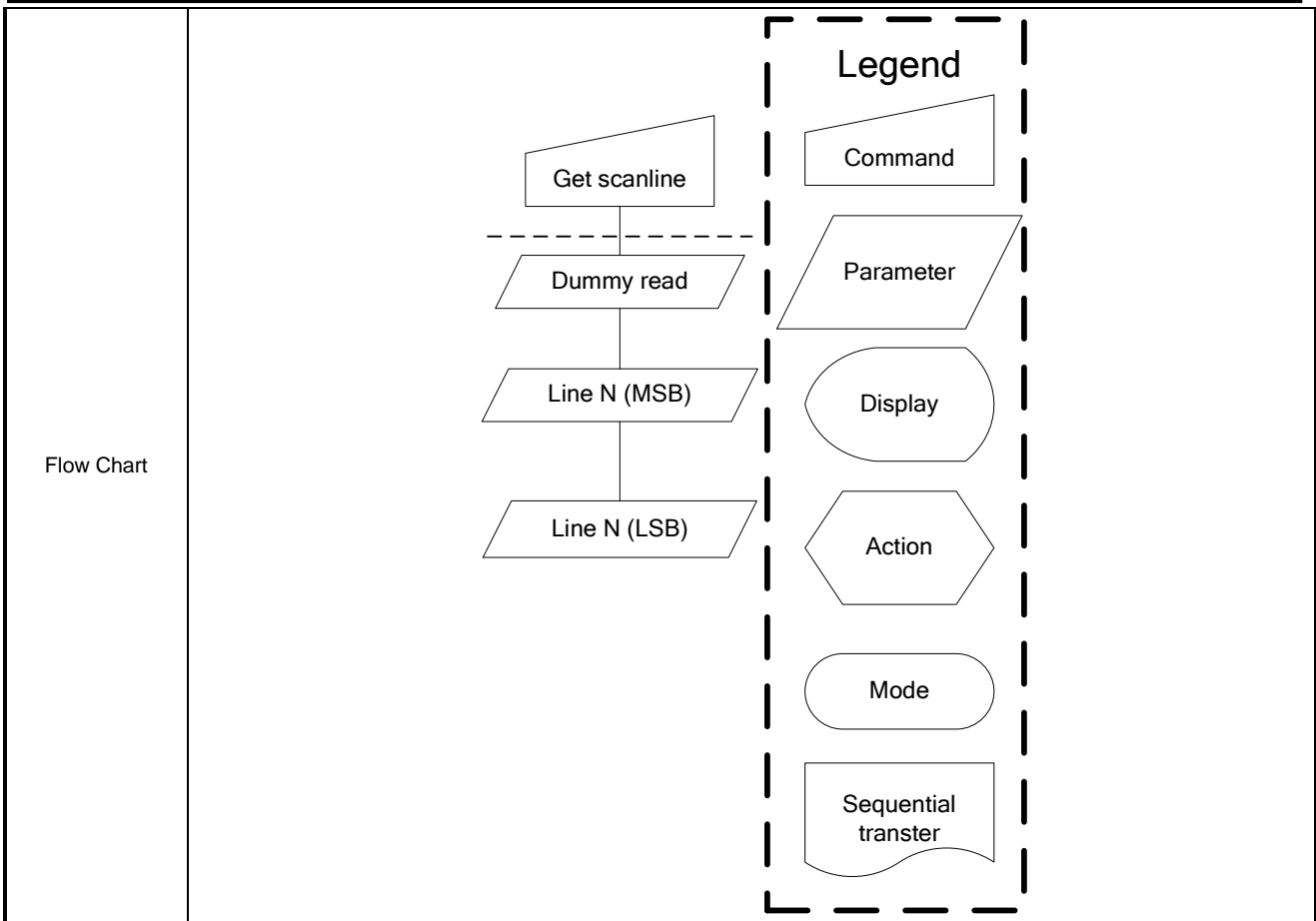
44H	STE (Set Tear ScanLine )																								
Inst / Para	D/CX	WRX	RDX	D17-8	D7	D6	D5	D4	D3	D2	D1	D0	HEX												
STE	0	↑	1	-	0	1	0	0	0	1	0	0	(44h)												
1 <sup>st</sup> parameter	1	↑	1	-	N15	N14	N13	N12	N11	N10	N9	N8													
2 <sup>nd</sup> parameter	1	↑	1	-	N7	N6	N5	N4	N3	N2	N1	N0													
Description	<p>-This command turns on the display module's Tearing Effect output signal on the TE signal line when the display module reaches line N. The TE signal is not affected by changing MV.</p> <p>-The tearing effect line on has one parameter that describes the tearing effect output line mode.</p> <p>-The tearing effect output line consist of V-blanking information only.</p>  <p>Note that set tear scanline with N=0 is equivalent to tearing effect line on with TEM=0.</p> <p>The tearing effect output line shall be active low when the display module is in sleep mode</p>																								
Restriction	<p>This command takes affect on the frame following the current frame. Therefore, if the tear effect (TE) output is already on, the TE output shall continue to operate as programmed by the previous tearing effect line on or set tear scanline command until the end of the frame</p>																								
Register availability	<table border="1"> <thead> <tr> <th>Status</th> <th>Availability</th> </tr> </thead> <tbody> <tr> <td>Normal Mode On, Idle Mode Off, Sleep Out</td> <td>Yes</td> </tr> <tr> <td>Normal Mode On, Idle Mode On, Sleep Out</td> <td>Yes</td> </tr> <tr> <td>Partial Mode On, Idle Mode Off, Sleep Out</td> <td>Yes</td> </tr> <tr> <td>Partial Mode On, Idle Mode On, Sleep Out</td> <td>Yes</td> </tr> <tr> <td>Sleep In</td> <td>Yes</td> </tr> </tbody> </table>													Status	Availability	Normal Mode On, Idle Mode Off, Sleep Out	Yes	Normal Mode On, Idle Mode On, Sleep Out	Yes	Partial Mode On, Idle Mode Off, Sleep Out	Yes	Partial Mode On, Idle Mode On, Sleep Out	Yes	Sleep In	Yes
Status	Availability																								
Normal Mode On, Idle Mode Off, Sleep Out	Yes																								
Normal Mode On, Idle Mode On, Sleep Out	Yes																								
Partial Mode On, Idle Mode Off, Sleep Out	Yes																								
Partial Mode On, Idle Mode On, Sleep Out	Yes																								
Sleep In	Yes																								
Default	<table border="1"> <thead> <tr> <th>Status</th> <th>Default Value</th> </tr> </thead> <tbody> <tr> <td>Power On Sequence</td> <td>0000h</td> </tr> <tr> <td>S/W Reset</td> <td>0000h</td> </tr> <tr> <td>H/W Reset</td> <td>0000h</td> </tr> </tbody> </table>													Status	Default Value	Power On Sequence	0000h	S/W Reset	0000h	H/W Reset	0000h				
Status	Default Value																								
Power On Sequence	0000h																								
S/W Reset	0000h																								
H/W Reset	0000h																								



9.1.36 GSCAN (45h): Get Scanline

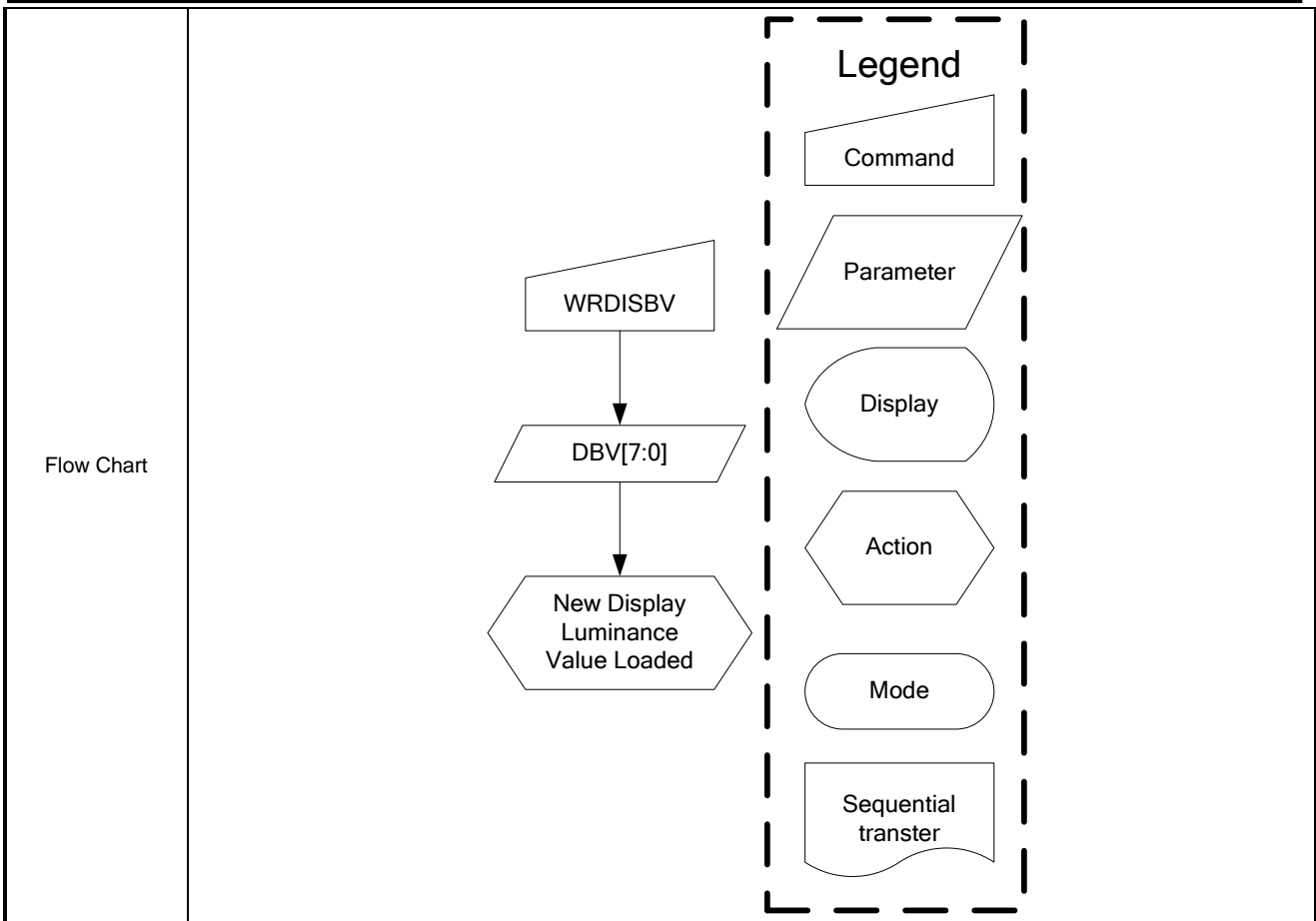
45H	GSCAN (Get ScanLine )																								
Inst / Para	D/CX	WRX	RDX	D17-8	D7	D6	D5	D4	D3	D2	D1	D0	HEX												
GSCAN	0	↑	1	-	0	1	0	0	0	1	0	1	(45h)												
1 <sup>st</sup> parameter	1	1	↑	-	-	-	-	-	-	-	-	-													
2 <sup>nd</sup> parameter	1	1	↑	-	N15	N14	N13	N12	N11	N10	N9	N8													
3 <sup>rd</sup> parameter	1	1	↑	-	N7	N6	N5	N4	N3	N2	N1	N0													
Description	<p>-The display module returns the current scanline ,N, used to update the display device. The total number of scanlines on a display device is defined as VSYNC+VBP+VACT+VFP. The first scanline is defined as the first line of V Sync and is denoted as Line 0.</p> <p>-When in sleep in mode, the value returned by get scanline is undefined.</p>																								
Restriction	-																								
Register availability	<table border="1"> <thead> <tr> <th>Status</th> <th>Availability</th> </tr> </thead> <tbody> <tr> <td>Normal Mode On, Idle Mode Off, Sleep Out</td> <td>Yes</td> </tr> <tr> <td>Normal Mode On, Idle Mode On, Sleep Out</td> <td>Yes</td> </tr> <tr> <td>Partial Mode On, Idle Mode Off, Sleep Out</td> <td>Yes</td> </tr> <tr> <td>Partial Mode On, Idle Mode On, Sleep Out</td> <td>Yes</td> </tr> <tr> <td>Sleep In</td> <td>Yes</td> </tr> </tbody> </table>													Status	Availability	Normal Mode On, Idle Mode Off, Sleep Out	Yes	Normal Mode On, Idle Mode On, Sleep Out	Yes	Partial Mode On, Idle Mode Off, Sleep Out	Yes	Partial Mode On, Idle Mode On, Sleep Out	Yes	Sleep In	Yes
Status	Availability																								
Normal Mode On, Idle Mode Off, Sleep Out	Yes																								
Normal Mode On, Idle Mode On, Sleep Out	Yes																								
Partial Mode On, Idle Mode Off, Sleep Out	Yes																								
Partial Mode On, Idle Mode On, Sleep Out	Yes																								
Sleep In	Yes																								
Default	<table border="1"> <thead> <tr> <th>Status</th> <th>Default Value</th> </tr> </thead> <tbody> <tr> <td>Power On Sequence</td> <td>0000h</td> </tr> <tr> <td>S/W Reset</td> <td>0000h</td> </tr> <tr> <td>H/W Reset</td> <td>0000h</td> </tr> </tbody> </table>													Status	Default Value	Power On Sequence	0000h	S/W Reset	0000h	H/W Reset	0000h				
Status	Default Value																								
Power On Sequence	0000h																								
S/W Reset	0000h																								
H/W Reset	0000h																								





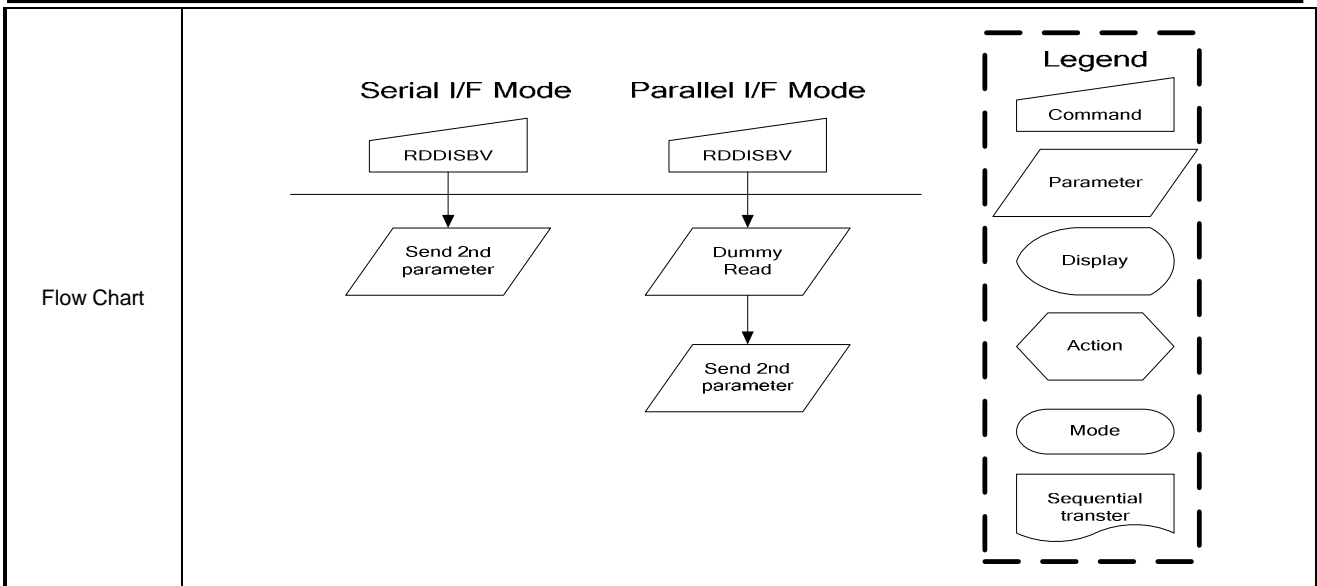
9.1.37 WRDISBV (51h): Write Display Brightness

51H	WRDISBV (Write Display Brightness)																								
Inst / Para	D/CX	WRX	RDX	D17-8	D7	D6	D5	D4	D3	D2	D1	D0	HEX												
WRDISBV	0	↑	1	-	0	1	0	1	0	0	0	1	(51h)												
Parameter	1	↑	1	-	DBV7	DBV6	DBV5	DBV4	DBV3	DBV2	DBV1	DBV0													
Description	<p>-This command is used to adjust the brightness value of the display.</p> <p>-It should be checked what the relationship between this written value and output brightness of the display is. This relationship is defined on the display module specification.</p> <p>-In principle relationship is that 00h value means the lowest brightness and FFh value means the highest brightness.</p>																								
Restriction																									
Register availability	<table border="1"> <thead> <tr> <th>Status</th> <th>Availability</th> </tr> </thead> <tbody> <tr> <td>Normal Mode On, Idle Mode Off, Sleep Out</td> <td>Yes</td> </tr> <tr> <td>Normal Mode On, Idle Mode On, Sleep Out</td> <td>Yes</td> </tr> <tr> <td>Partial Mode On, Idle Mode Off, Sleep Out</td> <td>Yes</td> </tr> <tr> <td>Partial Mode On, Idle Mode On, Sleep Out</td> <td>Yes</td> </tr> <tr> <td>Sleep In</td> <td>Yes</td> </tr> </tbody> </table>													Status	Availability	Normal Mode On, Idle Mode Off, Sleep Out	Yes	Normal Mode On, Idle Mode On, Sleep Out	Yes	Partial Mode On, Idle Mode Off, Sleep Out	Yes	Partial Mode On, Idle Mode On, Sleep Out	Yes	Sleep In	Yes
Status	Availability																								
Normal Mode On, Idle Mode Off, Sleep Out	Yes																								
Normal Mode On, Idle Mode On, Sleep Out	Yes																								
Partial Mode On, Idle Mode Off, Sleep Out	Yes																								
Partial Mode On, Idle Mode On, Sleep Out	Yes																								
Sleep In	Yes																								
Default	<table border="1"> <thead> <tr> <th>Status</th> <th>Default Value</th> </tr> </thead> <tbody> <tr> <td>Power On Sequence</td> <td>0000h</td> </tr> <tr> <td>S/W Reset</td> <td>0000h</td> </tr> <tr> <td>H/W Reset</td> <td>0000h</td> </tr> </tbody> </table>													Status	Default Value	Power On Sequence	0000h	S/W Reset	0000h	H/W Reset	0000h				
Status	Default Value																								
Power On Sequence	0000h																								
S/W Reset	0000h																								
H/W Reset	0000h																								



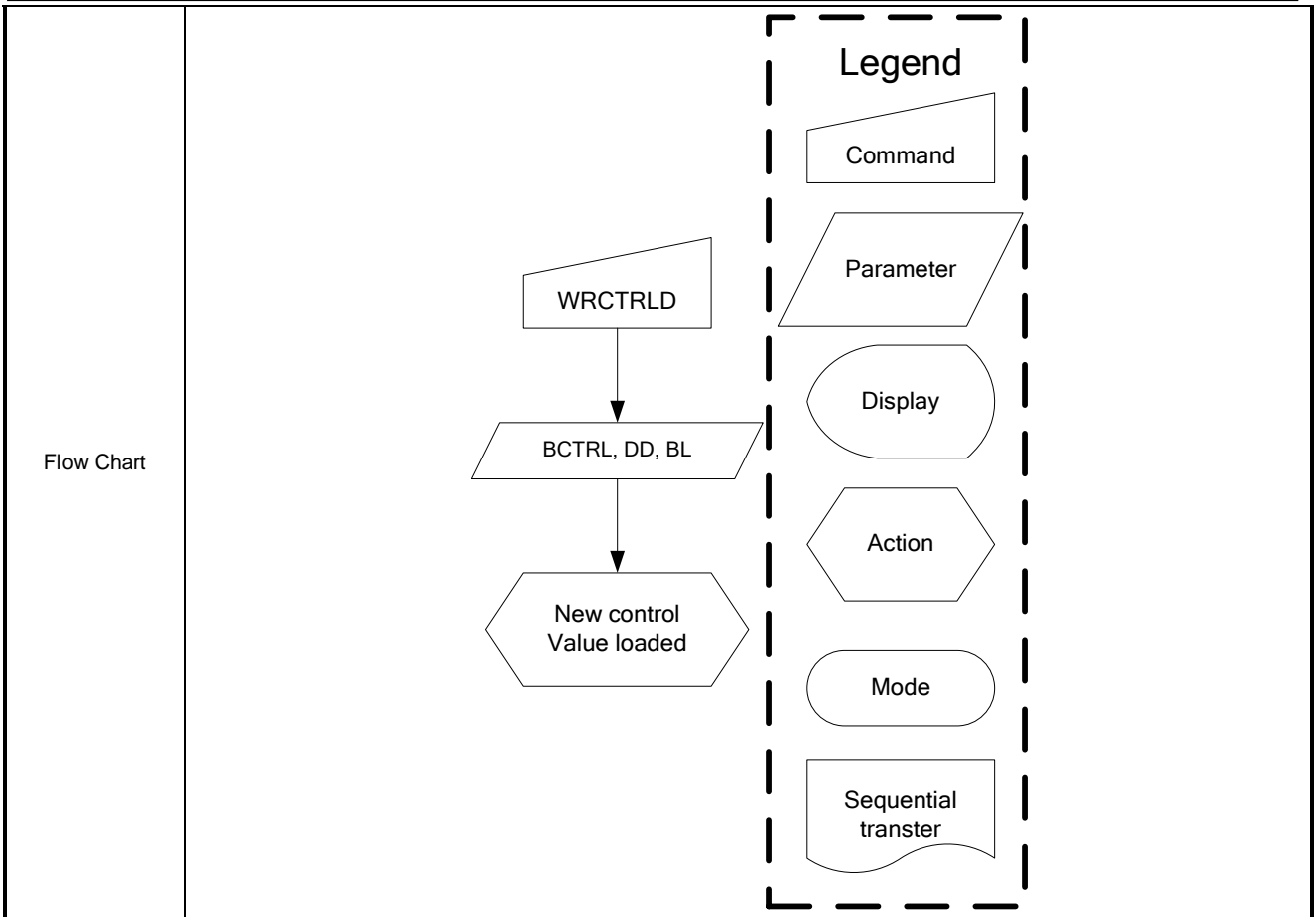
9.1.38 RDDISBV (52h): Read Display Brightness Value

52H	RDDISBV (Read Display Brightness Value )																								
Inst / Para	D/CX	WRX	RDX	D17-8	D7	D6	D5	D4	D3	D2	D1	D0	HEX												
RDDISBV	0	↑	1	-	0	1	0	1	0	0	1	0	(52h)												
1 <sup>st</sup> parameter	1	1	↑	-	-	-	-	-	-	-	-	-													
2 <sup>nd</sup> parameter	1	1	↑	-	DBV7	DBV6	DBV5	DBV4	DBV3	DBV2	DBV1	DBV0													
Description	<p>-This command returns the brightness value of the display.</p> <p>-It should be checked what the relationship between this returned value and output brightness of the display. This relationship is defined on the display module specification is.</p> <p>-In principle the relationship is that 00h value means the lowest brightness and FFh value means the highest brightness.</p> <p>-DBV[7:0] is reset when display is in sleep in mode.</p> <p>-DBV[7:0] is '0' when bit BCTRL of write CTRL display command (53h) is '0'</p> <p>-DBV[7:0] IS manual set brightness specified with write CTRL display command (53h) when bit BCTRL is '1'</p>																								
Restriction	-																								
Register availability	<table border="1"> <thead> <tr> <th>Status</th> <th>Availability</th> </tr> </thead> <tbody> <tr> <td>Normal Mode On, Idle Mode Off, Sleep Out</td> <td>Yes</td> </tr> <tr> <td>Normal Mode On, Idle Mode On, Sleep Out</td> <td>Yes</td> </tr> <tr> <td>Partial Mode On, Idle Mode Off, Sleep Out</td> <td>Yes</td> </tr> <tr> <td>Partial Mode On, Idle Mode On, Sleep Out</td> <td>Yes</td> </tr> <tr> <td>Sleep In</td> <td>Yes</td> </tr> </tbody> </table>													Status	Availability	Normal Mode On, Idle Mode Off, Sleep Out	Yes	Normal Mode On, Idle Mode On, Sleep Out	Yes	Partial Mode On, Idle Mode Off, Sleep Out	Yes	Partial Mode On, Idle Mode On, Sleep Out	Yes	Sleep In	Yes
Status	Availability																								
Normal Mode On, Idle Mode Off, Sleep Out	Yes																								
Normal Mode On, Idle Mode On, Sleep Out	Yes																								
Partial Mode On, Idle Mode Off, Sleep Out	Yes																								
Partial Mode On, Idle Mode On, Sleep Out	Yes																								
Sleep In	Yes																								
Default	<table border="1"> <thead> <tr> <th>Status</th> <th>Default Value</th> </tr> </thead> <tbody> <tr> <td>Power On Sequence</td> <td>0000h</td> </tr> <tr> <td>S/W Reset</td> <td>0000h</td> </tr> <tr> <td>H/W Reset</td> <td>0000h</td> </tr> </tbody> </table>													Status	Default Value	Power On Sequence	0000h	S/W Reset	0000h	H/W Reset	0000h				
Status	Default Value																								
Power On Sequence	0000h																								
S/W Reset	0000h																								
H/W Reset	0000h																								



9.1.39 WRCTRLD (53h): Write CTRL Display

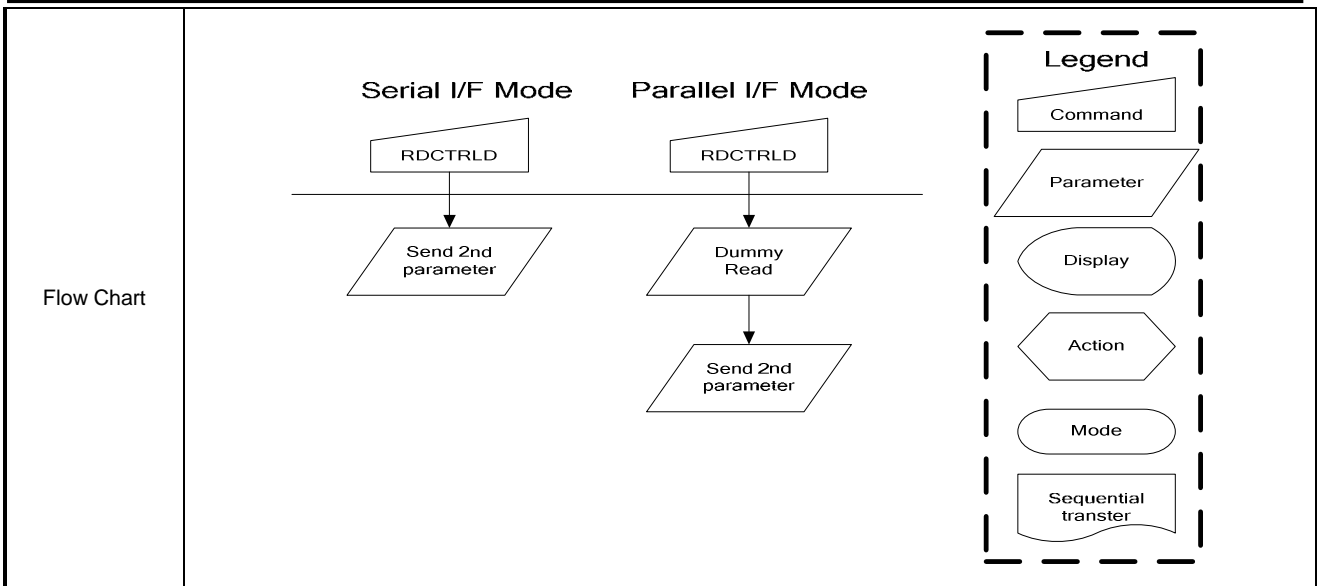
53H	WRCTRLD (Write CTRL Display )																								
Inst / Para	D/CX	WRX	RDX	D17-8	D7	D6	D5	D4	D3	D2	D1	D0	HEX												
WRCTRLD	0	↑	1	-	0	1	0	1	0	0	1	1	(53h)												
Parameter	1	↑	1	-	0	0	BCTRL	0	DD	BL	0	0													
Description	<p>-This command is used to control display brightness.</p> <p>-BCTRL: Brightness Control Block On/Off, This bit is always used to switch brightness for display.                      0 = Off (Brightness register are 00h, DBV[7:0])                      1 = On (Brightness register are active, according to the other parameters.)</p> <p>-DD: Display Dimming (Only for manual brightness setting)                      DD = 0: Display Dimming is off.                      DD = 1: Display Dimming is on.</p> <p>-BL: Backlight Control On/Off                      0 = Off (Completely turn off backlight circuit. Control lines must be low.)                      1 = On</p> <p>-Dimming function is adapted to the brightness registers for display when bit BCTRL is changed at DD=1.</p> <p>-When BL bit changed from 'on' to 'off', backlight is turned off without gradual dimming, even if dimming-on (DD=1) are selected.</p>																								
Restriction																									
Register availability	<table border="1"> <thead> <tr> <th>Status</th> <th>Availability</th> </tr> </thead> <tbody> <tr> <td>Normal Mode On, Idle Mode Off, Sleep Out</td> <td>Yes</td> </tr> <tr> <td>Normal Mode On, Idle Mode On, Sleep Out</td> <td>Yes</td> </tr> <tr> <td>Partial Mode On, Idle Mode Off, Sleep Out</td> <td>Yes</td> </tr> <tr> <td>Partial Mode On, Idle Mode On, Sleep Out</td> <td>Yes</td> </tr> <tr> <td>Sleep In</td> <td>Yes</td> </tr> </tbody> </table>													Status	Availability	Normal Mode On, Idle Mode Off, Sleep Out	Yes	Normal Mode On, Idle Mode On, Sleep Out	Yes	Partial Mode On, Idle Mode Off, Sleep Out	Yes	Partial Mode On, Idle Mode On, Sleep Out	Yes	Sleep In	Yes
Status	Availability																								
Normal Mode On, Idle Mode Off, Sleep Out	Yes																								
Normal Mode On, Idle Mode On, Sleep Out	Yes																								
Partial Mode On, Idle Mode Off, Sleep Out	Yes																								
Partial Mode On, Idle Mode On, Sleep Out	Yes																								
Sleep In	Yes																								
Default	<table border="1"> <thead> <tr> <th>Status</th> <th>Default Value</th> </tr> </thead> <tbody> <tr> <td>Power On Sequence</td> <td>0000h</td> </tr> <tr> <td>S/W Reset</td> <td>0000h</td> </tr> <tr> <td>H/W Reset</td> <td>0000h</td> </tr> </tbody> </table>													Status	Default Value	Power On Sequence	0000h	S/W Reset	0000h	H/W Reset	0000h				
Status	Default Value																								
Power On Sequence	0000h																								
S/W Reset	0000h																								
H/W Reset	0000h																								



9.1.40 RDCTRLD (54h): Read CTRL Value Display

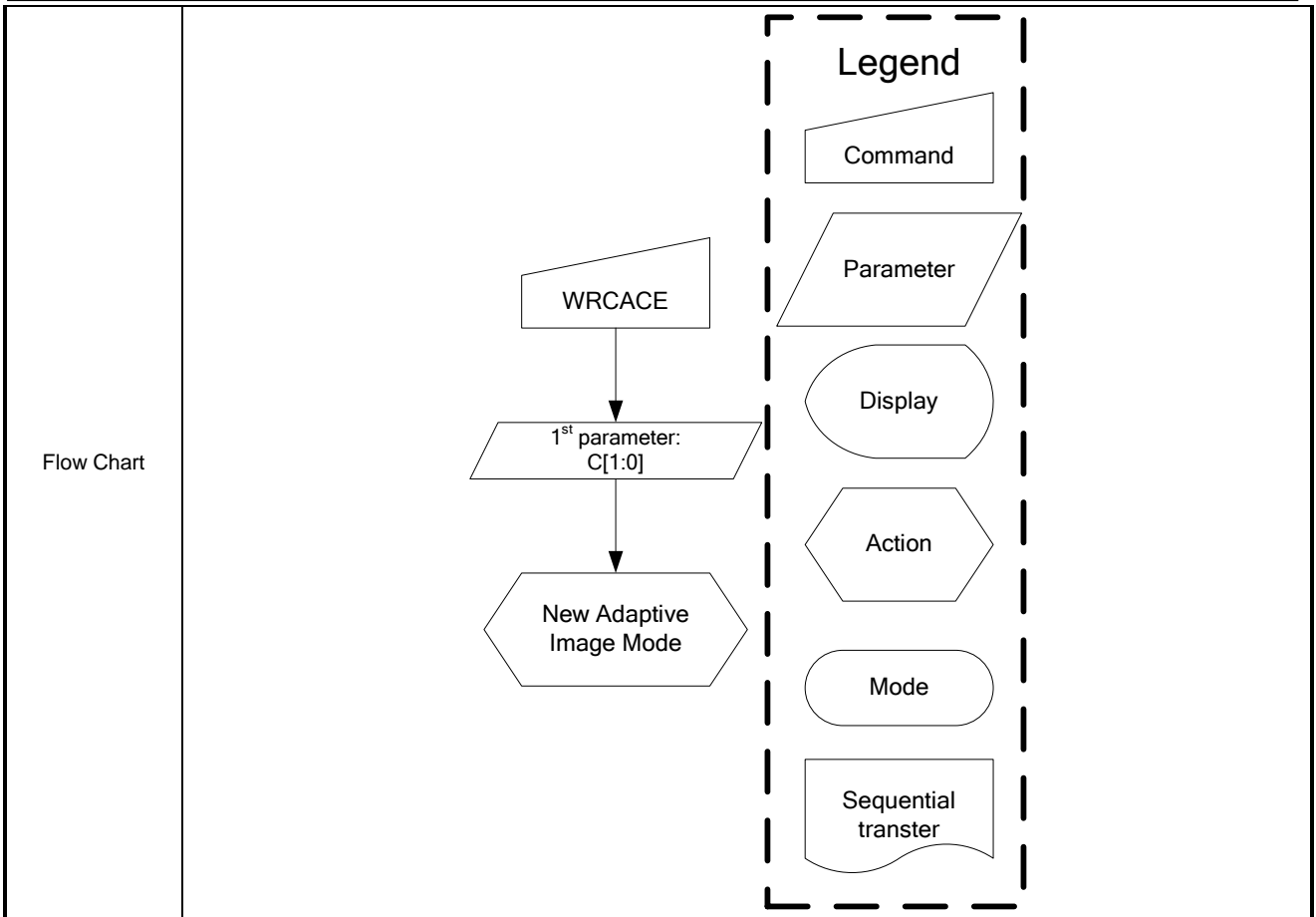
54H	RDCTRLD (Read CTRL value Display )																								
Inst / Para	D/CX	WRX	RDX	D17-8	D7	D6	D5	D4	D3	D2	D1	D0	HEX												
RDCTRLD	0	↑	1	-	0	1	0	1	0	1	0	0	(54h)												
1 <sup>st</sup> parameter	1	1	↑	-	-	-	-	-	-	-	-	-													
2 <sup>nd</sup> parameter	1	1	↑	-	0	0	BCTRL	0	DD	BL	0	0													
Description	<p>-This command returns ambient light and brightness control values..</p> <p>-BCTRL: Brightness Control Block On/Off, This bit is always used to switch brightness for display.</p> <p>0 = Off</p> <p>1 = On</p> <p>-DD: Display Dimming (Only for manual brightness setting)</p> <p>DD = 0</p> <p>DD = 1</p> <p>-BL: Backlight Control On/Off</p> <p>0 = Off</p> <p>1 = On</p>																								
Restriction	-																								
Register availability	<table border="1"> <thead> <tr> <th>Status</th> <th>Availability</th> </tr> </thead> <tbody> <tr> <td>Normal Mode On, Idle Mode Off, Sleep Out</td> <td>Yes</td> </tr> <tr> <td>Normal Mode On, Idle Mode On, Sleep Out</td> <td>Yes</td> </tr> <tr> <td>Partial Mode On, Idle Mode Off, Sleep Out</td> <td>Yes</td> </tr> <tr> <td>Partial Mode On, Idle Mode On, Sleep Out</td> <td>Yes</td> </tr> <tr> <td>Sleep In</td> <td>Yes</td> </tr> </tbody> </table>													Status	Availability	Normal Mode On, Idle Mode Off, Sleep Out	Yes	Normal Mode On, Idle Mode On, Sleep Out	Yes	Partial Mode On, Idle Mode Off, Sleep Out	Yes	Partial Mode On, Idle Mode On, Sleep Out	Yes	Sleep In	Yes
Status	Availability																								
Normal Mode On, Idle Mode Off, Sleep Out	Yes																								
Normal Mode On, Idle Mode On, Sleep Out	Yes																								
Partial Mode On, Idle Mode Off, Sleep Out	Yes																								
Partial Mode On, Idle Mode On, Sleep Out	Yes																								
Sleep In	Yes																								
Default	<table border="1"> <thead> <tr> <th>Status</th> <th>Default Value</th> </tr> </thead> <tbody> <tr> <td>Power On Sequence</td> <td>0000h</td> </tr> <tr> <td>S/W Reset</td> <td>0000h</td> </tr> <tr> <td>H/W Reset</td> <td>0000h</td> </tr> </tbody> </table>													Status	Default Value	Power On Sequence	0000h	S/W Reset	0000h	H/W Reset	0000h				
Status	Default Value																								
Power On Sequence	0000h																								
S/W Reset	0000h																								
H/W Reset	0000h																								





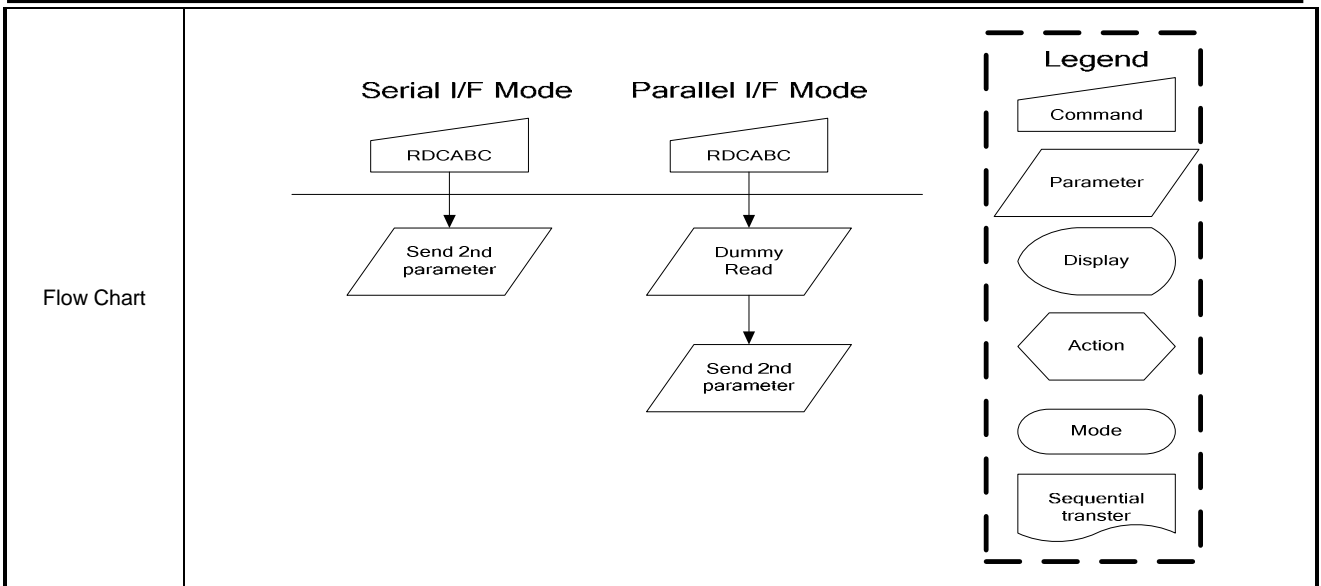
9.1.41 WRACE (55h): Write Content Adaptive Brightness Control and Color Enhancement

55H	WRACE (Write Content Adaptive Brightness Control and Color Enhancement)																																							
Inst / Para	D/CX	WRX	RDX	D17-8	D7	D6	D5	D4	D3	D2	D1	D0	HEX																											
WRACE	0	↑	1	-	0	1	0	1	0	1	0	1	(55h)																											
Parameter	1	↑	1	-	CECTRL	0	CE1	CE0	0	0	C1	C0																												
Description	<p>-This command is used to set parameters for image content based adaptive brightness control functionality and Color Enhancement function.</p> <p>-There is possible to used 4 different modes for content adaptive image functionality, which are defined on a table below.</p> <table border="1"> <thead> <tr> <th>C1</th> <th>C0</th> <th>Function</th> </tr> </thead> <tbody> <tr> <td>0</td> <td>0</td> <td>Off</td> </tr> <tr> <td>0</td> <td>1</td> <td>User Interface Mode</td> </tr> <tr> <td>1</td> <td>0</td> <td>Still Picture</td> </tr> <tr> <td>1</td> <td>1</td> <td>Moving Image</td> </tr> </tbody> </table> <p>-CECTRL: Color Enhancement Control Bit:                      CECTRL=0: Color Enhancement Off.                      CECTRL=1: Color Enhancement On.</p> <p>-There are three color enhancement levels can be set.</p> <table border="1"> <thead> <tr> <th>CE1</th> <th>CE0</th> <th>Color enhancement level</th> </tr> </thead> <tbody> <tr> <td>0</td> <td>0</td> <td>Low enhancement</td> </tr> <tr> <td>0</td> <td>1</td> <td>Medium enhancement</td> </tr> <tr> <td>1</td> <td>1</td> <td>High enhancement</td> </tr> </tbody> </table> <p>‘-’: Don't care</p>													C1	C0	Function	0	0	Off	0	1	User Interface Mode	1	0	Still Picture	1	1	Moving Image	CE1	CE0	Color enhancement level	0	0	Low enhancement	0	1	Medium enhancement	1	1	High enhancement
	C1	C0	Function																																					
0	0	Off																																						
0	1	User Interface Mode																																						
1	0	Still Picture																																						
1	1	Moving Image																																						
CE1	CE0	Color enhancement level																																						
0	0	Low enhancement																																						
0	1	Medium enhancement																																						
1	1	High enhancement																																						
Restriction																																								
Register availability	<table border="1"> <thead> <tr> <th>Status</th> <th>Availability</th> </tr> </thead> <tbody> <tr> <td>Normal Mode On, Idle Mode Off, Sleep Out</td> <td>Yes</td> </tr> <tr> <td>Normal Mode On, Idle Mode On, Sleep Out</td> <td>Yes</td> </tr> <tr> <td>Partial Mode On, Idle Mode Off, Sleep Out</td> <td>Yes</td> </tr> <tr> <td>Partial Mode On, Idle Mode On, Sleep Out</td> <td>Yes</td> </tr> <tr> <td>Sleep In</td> <td>Yes</td> </tr> </tbody> </table>													Status	Availability	Normal Mode On, Idle Mode Off, Sleep Out	Yes	Normal Mode On, Idle Mode On, Sleep Out	Yes	Partial Mode On, Idle Mode Off, Sleep Out	Yes	Partial Mode On, Idle Mode On, Sleep Out	Yes	Sleep In	Yes															
	Status	Availability																																						
Normal Mode On, Idle Mode Off, Sleep Out	Yes																																							
Normal Mode On, Idle Mode On, Sleep Out	Yes																																							
Partial Mode On, Idle Mode Off, Sleep Out	Yes																																							
Partial Mode On, Idle Mode On, Sleep Out	Yes																																							
Sleep In	Yes																																							
Default	<table border="1"> <thead> <tr> <th>Status</th> <th>Default Value</th> </tr> </thead> <tbody> <tr> <td>Power On Sequence</td> <td>0000h</td> </tr> <tr> <td>S/W Reset</td> <td>0000h</td> </tr> <tr> <td>H/W Reset</td> <td>0000h</td> </tr> </tbody> </table>													Status	Default Value	Power On Sequence	0000h	S/W Reset	0000h	H/W Reset	0000h																			
Status	Default Value																																							
Power On Sequence	0000h																																							
S/W Reset	0000h																																							
H/W Reset	0000h																																							



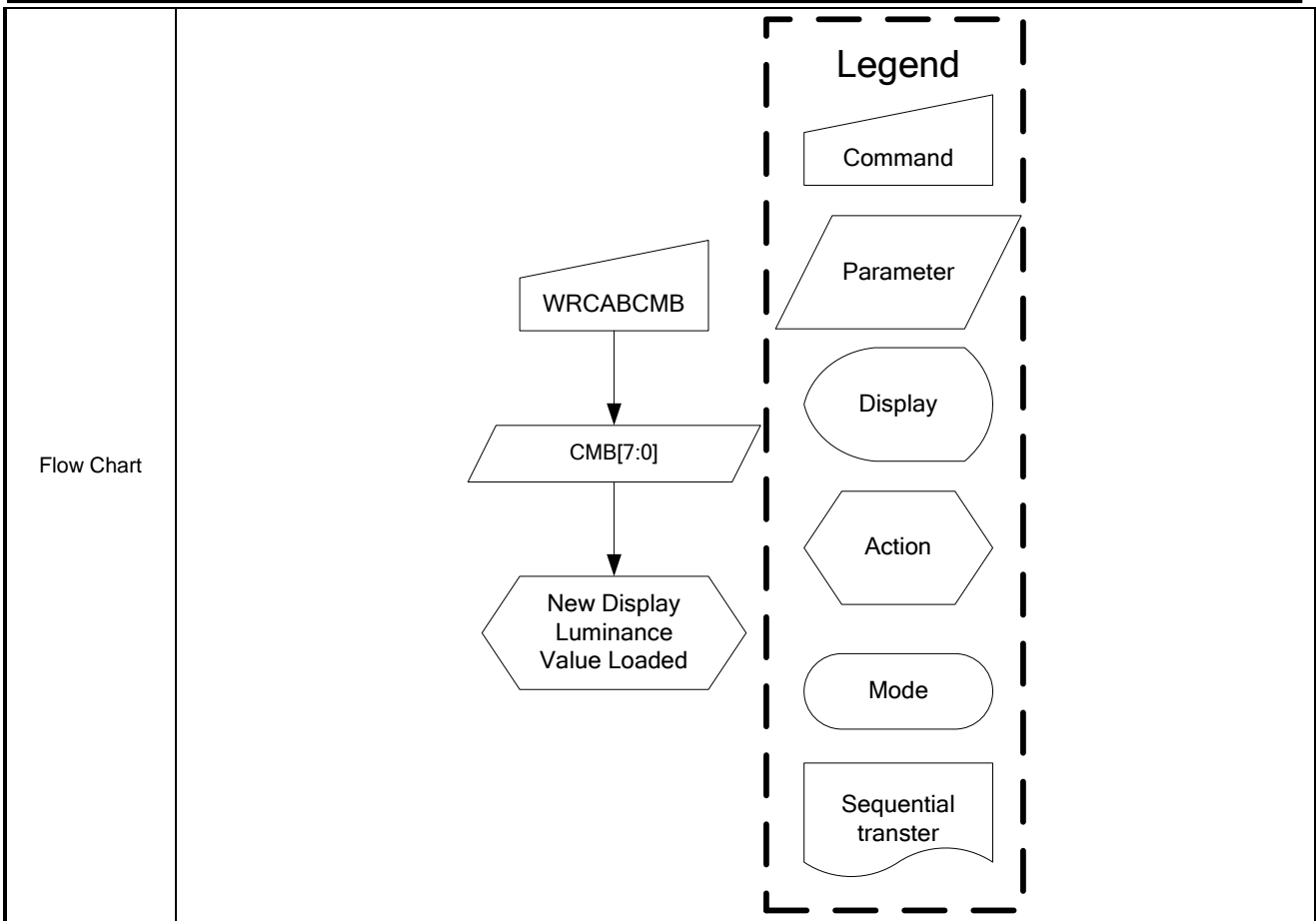
9.1.42 RDCABC (56h): Read Content Adaptive Brightness Control

56H	RDCABC (Read Content Adaptive Brightness Control )																											
Inst / Para	D/CX	WRX	RDX	D17-8	D7	D6	D5	D4	D3	D2	D1	D0	HEX															
RDCABC	0	↑	1	-	0	1	0	1	0	1	1	0	(56h)															
1 <sup>st</sup> parameter	1	1	↑	-	-	-	-	-	-	-	-	-																
2 <sup>nd</sup> parameter	1	1	↑	-	0	0	0	0	0	0	C1	C0																
Description	<p>-This command is used to read the settings for image content based adaptive brightness control functionality.</p> <p>-There is possible to used 4 different modes for content adaptive image functionality, which are defined on a table below.</p> <table border="1"> <thead> <tr> <th>C1</th> <th>C0</th> <th>Function</th> </tr> </thead> <tbody> <tr> <td>0</td> <td>0</td> <td>Off</td> </tr> <tr> <td>0</td> <td>1</td> <td>User Interface Mode</td> </tr> <tr> <td>1</td> <td>0</td> <td>Still Picture</td> </tr> <tr> <td>1</td> <td>1</td> <td>Moving Image</td> </tr> </tbody> </table> <p>': Don't care</p>													C1	C0	Function	0	0	Off	0	1	User Interface Mode	1	0	Still Picture	1	1	Moving Image
C1	C0	Function																										
0	0	Off																										
0	1	User Interface Mode																										
1	0	Still Picture																										
1	1	Moving Image																										
Restriction	-																											
Register availability	<table border="1"> <thead> <tr> <th>Status</th> <th>Availability</th> </tr> </thead> <tbody> <tr> <td>Normal Mode On, Idle Mode Off, Sleep Out</td> <td>Yes</td> </tr> <tr> <td>Normal Mode On, Idle Mode On, Sleep Out</td> <td>Yes</td> </tr> <tr> <td>Partial Mode On, Idle Mode Off, Sleep Out</td> <td>Yes</td> </tr> <tr> <td>Partial Mode On, Idle Mode On, Sleep Out</td> <td>Yes</td> </tr> <tr> <td>Sleep In</td> <td>Yes</td> </tr> </tbody> </table>													Status	Availability	Normal Mode On, Idle Mode Off, Sleep Out	Yes	Normal Mode On, Idle Mode On, Sleep Out	Yes	Partial Mode On, Idle Mode Off, Sleep Out	Yes	Partial Mode On, Idle Mode On, Sleep Out	Yes	Sleep In	Yes			
Status	Availability																											
Normal Mode On, Idle Mode Off, Sleep Out	Yes																											
Normal Mode On, Idle Mode On, Sleep Out	Yes																											
Partial Mode On, Idle Mode Off, Sleep Out	Yes																											
Partial Mode On, Idle Mode On, Sleep Out	Yes																											
Sleep In	Yes																											
Default	<table border="1"> <thead> <tr> <th>Status</th> <th>Default Value</th> </tr> </thead> <tbody> <tr> <td>Power On Sequence</td> <td>0000h</td> </tr> <tr> <td>S/W Reset</td> <td>0000h</td> </tr> <tr> <td>H/W Reset</td> <td>0000h</td> </tr> </tbody> </table>													Status	Default Value	Power On Sequence	0000h	S/W Reset	0000h	H/W Reset	0000h							
Status	Default Value																											
Power On Sequence	0000h																											
S/W Reset	0000h																											
H/W Reset	0000h																											



9.1.43 WRCABCMB (5Eh): Write CABC Minimum Brightness

5EH	WRCABCMB (Write CABC Minimum Brightness )																								
Inst / Para	D/CX	WRX	RDX	D17-8	D7	D6	D5	D4	D3	D2	D1	D0	HEX												
WRCABCMB	0	↑	1	-	0	1	0	1	1	1	1	0	(5Eh)												
Parameter	1	↑	1	-	CMB7	CMB6	CMB5	CMB4	CMB3	CMB2	CMB1	CMB0													
Description	-This command is used to set the minimum brightness value of the display for CABC function. -In principle relationship is that 00h value means the lowest brightness for CABC and FFh value means the brightness for CABC. '-': Don't care																								
Restriction																									
Register availability	<table border="1"> <thead> <tr> <th>Status</th> <th>Availability</th> </tr> </thead> <tbody> <tr> <td>Normal Mode On, Idle Mode Off, Sleep Out</td> <td>Yes</td> </tr> <tr> <td>Normal Mode On, Idle Mode On, Sleep Out</td> <td>Yes</td> </tr> <tr> <td>Partial Mode On, Idle Mode Off, Sleep Out</td> <td>Yes</td> </tr> <tr> <td>Partial Mode On, Idle Mode On, Sleep Out</td> <td>Yes</td> </tr> <tr> <td>Sleep In</td> <td>Yes</td> </tr> </tbody> </table>													Status	Availability	Normal Mode On, Idle Mode Off, Sleep Out	Yes	Normal Mode On, Idle Mode On, Sleep Out	Yes	Partial Mode On, Idle Mode Off, Sleep Out	Yes	Partial Mode On, Idle Mode On, Sleep Out	Yes	Sleep In	Yes
Status	Availability																								
Normal Mode On, Idle Mode Off, Sleep Out	Yes																								
Normal Mode On, Idle Mode On, Sleep Out	Yes																								
Partial Mode On, Idle Mode Off, Sleep Out	Yes																								
Partial Mode On, Idle Mode On, Sleep Out	Yes																								
Sleep In	Yes																								
Default	<table border="1"> <thead> <tr> <th>Status</th> <th>Default Value</th> </tr> </thead> <tbody> <tr> <td>Power On Sequence</td> <td>0000h</td> </tr> <tr> <td>S/W Reset</td> <td>0000h</td> </tr> <tr> <td>H/W Reset</td> <td>0000h</td> </tr> </tbody> </table>													Status	Default Value	Power On Sequence	0000h	S/W Reset	0000h	H/W Reset	0000h				
Status	Default Value																								
Power On Sequence	0000h																								
S/W Reset	0000h																								
H/W Reset	0000h																								



9.1.44 RDCABCMB (5Fh): Read CABC Minimum Brightness

5FH	RDCABCMB (Read CABC Minimum Brightness)												HEX												
Inst / Para	D/CX	WRX	RDX	D17-8	D7	D6	D5	D4	D3	D2	D1	D0	HEX												
RDCABCMB	0	↑	1	-	0	1	0	1	1	1	1	1	(5Fh)												
1 <sup>st</sup> parameter	1	1	↑	-	-	-	-	-	-	-	-	-													
2 <sup>nd</sup> parameter	1	1	↑	-	CMB7	CMB6	CMB5	CMB4	CMB3	CMB2	CMB1	CMB0													
Description	-This command returns the minimum brightness value of CABC function. -In principle relationship is that 00h value means the lowest brightness for CABC and FFh value means the brightness for CABC. '-': Don't care																								
Restriction	-																								
Register availability	<table border="1"> <thead> <tr> <th>Status</th> <th>Availability</th> </tr> </thead> <tbody> <tr> <td>Normal Mode On, Idle Mode Off, Sleep Out</td> <td>Yes</td> </tr> <tr> <td>Normal Mode On, Idle Mode On, Sleep Out</td> <td>Yes</td> </tr> <tr> <td>Partial Mode On, Idle Mode Off, Sleep Out</td> <td>Yes</td> </tr> <tr> <td>Partial Mode On, Idle Mode On, Sleep Out</td> <td>Yes</td> </tr> <tr> <td>Sleep In</td> <td>Yes</td> </tr> </tbody> </table>													Status	Availability	Normal Mode On, Idle Mode Off, Sleep Out	Yes	Normal Mode On, Idle Mode On, Sleep Out	Yes	Partial Mode On, Idle Mode Off, Sleep Out	Yes	Partial Mode On, Idle Mode On, Sleep Out	Yes	Sleep In	Yes
Status	Availability																								
Normal Mode On, Idle Mode Off, Sleep Out	Yes																								
Normal Mode On, Idle Mode On, Sleep Out	Yes																								
Partial Mode On, Idle Mode Off, Sleep Out	Yes																								
Partial Mode On, Idle Mode On, Sleep Out	Yes																								
Sleep In	Yes																								
Default	<table border="1"> <thead> <tr> <th>Status</th> <th>Default Value</th> </tr> </thead> <tbody> <tr> <td>Power On Sequence</td> <td>0000h</td> </tr> <tr> <td>S/W Reset</td> <td>0000h</td> </tr> <tr> <td>H/W Reset</td> <td>0000h</td> </tr> </tbody> </table>													Status	Default Value	Power On Sequence	0000h	S/W Reset	0000h	H/W Reset	0000h				
Status	Default Value																								
Power On Sequence	0000h																								
S/W Reset	0000h																								
H/W Reset	0000h																								
Flow Chart	<div style="display: flex; justify-content: space-around;"> <div style="text-align: center;"> <p><b>Serial I/F Mode</b></p> </div> <div style="text-align: center;"> <p><b>Parallel I/F Mode</b></p> </div> </div> <div style="border: 1px dashed black; padding: 5px; margin-top: 10px;"> <p><b>Legend</b></p> <ul style="list-style-type: none"> <li> Command</li> <li> Parameter</li> <li> Display</li> <li> Action</li> <li> Mode</li> <li> Sequential transfer</li> </ul> </div>																								



9.1.45 RDID1 (Dah): Read ID1

DAH	RDID1 (Read ID1)												HEX												
Inst / Para	D/CX	WRX	RDX	D17-8	D7	D6	D5	D4	D3	D2	D1	D0	HEX												
RDID1	0	↑	1	-	1	1	0	1	1	0	1	0	(Dah)												
1 <sup>st</sup> parameter	1	1	↑	-	-	-	-	-	-	-	-	-													
2 <sup>nd</sup> parameter	1	1	↑	-	ID17	ID16	ID15	ID14	ID13	ID12	ID11	ID10													
Description	-This read byte identifies the LCD module's manufacturer.																								
Restriction	-																								
Register availability	<table border="1"> <thead> <tr> <th>Status</th> <th>Availability</th> </tr> </thead> <tbody> <tr> <td>Normal Mode On, Idle Mode Off, Sleep Out</td> <td>Yes</td> </tr> <tr> <td>Normal Mode On, Idle Mode On, Sleep Out</td> <td>Yes</td> </tr> <tr> <td>Partial Mode On, Idle Mode Off, Sleep Out</td> <td>Yes</td> </tr> <tr> <td>Partial Mode On, Idle Mode On, Sleep Out</td> <td>Yes</td> </tr> <tr> <td>Sleep In</td> <td>Yes</td> </tr> </tbody> </table>													Status	Availability	Normal Mode On, Idle Mode Off, Sleep Out	Yes	Normal Mode On, Idle Mode On, Sleep Out	Yes	Partial Mode On, Idle Mode Off, Sleep Out	Yes	Partial Mode On, Idle Mode On, Sleep Out	Yes	Sleep In	Yes
Status	Availability																								
Normal Mode On, Idle Mode Off, Sleep Out	Yes																								
Normal Mode On, Idle Mode On, Sleep Out	Yes																								
Partial Mode On, Idle Mode Off, Sleep Out	Yes																								
Partial Mode On, Idle Mode On, Sleep Out	Yes																								
Sleep In	Yes																								
Default	<table border="1"> <thead> <tr> <th>Status</th> <th>Default Value</th> </tr> </thead> <tbody> <tr> <td>Power On Sequence</td> <td>85h</td> </tr> <tr> <td>S/W Reset</td> <td>85h</td> </tr> <tr> <td>H/W Reset</td> <td>85h</td> </tr> </tbody> </table>													Status	Default Value	Power On Sequence	85h	S/W Reset	85h	H/W Reset	85h				
Status	Default Value																								
Power On Sequence	85h																								
S/W Reset	85h																								
H/W Reset	85h																								
Flow Chart	<div style="display: flex; justify-content: space-around;"> <div style="text-align: center;"> <p><b>Serial I/F Mode</b></p> </div> <div style="text-align: center;"> <p><b>Parallel I/F Mode</b></p> </div> </div> <div style="margin-top: 20px;"> <p><b>Legend</b></p> <ul style="list-style-type: none"> <li>Command: [Command symbol]</li> <li>Parameter: [Parameter symbol]</li> <li>Display: [Display symbol]</li> <li>Action: [Action symbol]</li> <li>Mode: [Mode symbol]</li> <li>Sequential transfer: [Sequential transfer symbol]</li> </ul> </div>																								

9.1.46 RDID2 (DBh): Read ID2

DBH	RDID2 (Read ID2)																								
Inst / Para	D/CX	WRX	RDX	D17-8	D7	D6	D5	D4	D3	D2	D1	D0	HEX												
RDID2	0	↑	1	-	1	1	0	1	1	0	1	1	(DBh)												
1 <sup>st</sup> parameter	1	1	↑	-	-	-	-	-	-	-	-	-													
2 <sup>nd</sup> parameter	1	1	↑	-	ID27	ID26	ID25	ID24	ID23	ID22	ID21	ID20													
Description	This read byte is used to track the LCD module/driver IC version. ↑: Don't care.																								
Restriction	-																								
Register availability	<table border="1"> <thead> <tr> <th>Status</th> <th>Availability</th> </tr> </thead> <tbody> <tr> <td>Normal Mode On, Idle Mode Off, Sleep Out</td> <td>Yes</td> </tr> <tr> <td>Normal Mode On, Idle Mode On, Sleep Out</td> <td>Yes</td> </tr> <tr> <td>Partial Mode On, Idle Mode Off, Sleep Out</td> <td>Yes</td> </tr> <tr> <td>Partial Mode On, Idle Mode On, Sleep Out</td> <td>Yes</td> </tr> <tr> <td>Sleep In</td> <td>Yes</td> </tr> </tbody> </table>													Status	Availability	Normal Mode On, Idle Mode Off, Sleep Out	Yes	Normal Mode On, Idle Mode On, Sleep Out	Yes	Partial Mode On, Idle Mode Off, Sleep Out	Yes	Partial Mode On, Idle Mode On, Sleep Out	Yes	Sleep In	Yes
Status	Availability																								
Normal Mode On, Idle Mode Off, Sleep Out	Yes																								
Normal Mode On, Idle Mode On, Sleep Out	Yes																								
Partial Mode On, Idle Mode Off, Sleep Out	Yes																								
Partial Mode On, Idle Mode On, Sleep Out	Yes																								
Sleep In	Yes																								
Default	<table border="1"> <thead> <tr> <th>Status</th> <th>Default Value</th> </tr> </thead> <tbody> <tr> <td>Power On Sequence</td> <td>85h</td> </tr> <tr> <td>S/W Reset</td> <td>85h</td> </tr> <tr> <td>H/W Reset</td> <td>85h</td> </tr> </tbody> </table>													Status	Default Value	Power On Sequence	85h	S/W Reset	85h	H/W Reset	85h				
Status	Default Value																								
Power On Sequence	85h																								
S/W Reset	85h																								
H/W Reset	85h																								
Flow Chart	<div style="display: flex; justify-content: space-around;"> <div style="text-align: center;"> <p><b>Serial I/F Mode</b></p> </div> <div style="text-align: center;"> <p><b>Parallel I/F Mode</b></p> </div> </div> <div style="margin-top: 20px;"> <p><b>Legend</b></p> <ul style="list-style-type: none"> <li>Command: [Command symbol]</li> <li>Parameter: [Parameter symbol]</li> <li>Display: [Display symbol]</li> <li>Action: [Action symbol]</li> <li>Mode: [Mode symbol]</li> <li>Sequential transfer: [Sequential transfer symbol]</li> </ul> </div>																								

9.1.47 RDID3 (DCh): Read ID3

DCH	RDID3 (Read ID3)																								
Inst / Para	D/CX	WRX	RDX	D17-8	D7	D6	D5	D4	D3	D2	D1	D0	HEX												
RDID3	0	↑	1	-	1	1	0	1	1	1	0	0	(DCh)												
1 <sup>st</sup> parameter	1	1	↑	-	-	-	-	-	-	-	-	-													
2 <sup>nd</sup> parameter	1	1	↑	-	ID37	ID36	ID35	ID34	ID33	ID32	ID31	ID30													
Description	This read byte identifies the LCD module/driver.																								
Restriction	-																								
Register availability	<table border="1"> <thead> <tr> <th>Status</th> <th>Availability</th> </tr> </thead> <tbody> <tr> <td>Normal Mode On, Idle Mode Off, Sleep Out</td> <td>Yes</td> </tr> <tr> <td>Normal Mode On, Idle Mode On, Sleep Out</td> <td>Yes</td> </tr> <tr> <td>Partial Mode On, Idle Mode Off, Sleep Out</td> <td>Yes</td> </tr> <tr> <td>Partial Mode On, Idle Mode On, Sleep Out</td> <td>Yes</td> </tr> <tr> <td>Sleep In</td> <td>Yes</td> </tr> </tbody> </table>													Status	Availability	Normal Mode On, Idle Mode Off, Sleep Out	Yes	Normal Mode On, Idle Mode On, Sleep Out	Yes	Partial Mode On, Idle Mode Off, Sleep Out	Yes	Partial Mode On, Idle Mode On, Sleep Out	Yes	Sleep In	Yes
Status	Availability																								
Normal Mode On, Idle Mode Off, Sleep Out	Yes																								
Normal Mode On, Idle Mode On, Sleep Out	Yes																								
Partial Mode On, Idle Mode Off, Sleep Out	Yes																								
Partial Mode On, Idle Mode On, Sleep Out	Yes																								
Sleep In	Yes																								
Default	<table border="1"> <thead> <tr> <th>Status</th> <th>Default Value</th> </tr> </thead> <tbody> <tr> <td>Power On Sequence</td> <td>52h</td> </tr> <tr> <td>S/W Reset</td> <td>52h</td> </tr> <tr> <td>H/W Reset</td> <td>52h</td> </tr> </tbody> </table>													Status	Default Value	Power On Sequence	52h	S/W Reset	52h	H/W Reset	52h				
Status	Default Value																								
Power On Sequence	52h																								
S/W Reset	52h																								
H/W Reset	52h																								
Flow Chart	<div style="display: flex; justify-content: space-around;"> <div style="text-align: center;"> <p><b>Serial I/F Mode</b></p> </div> <div style="text-align: center;"> <p><b>Parallel I/F Mode</b></p> </div> </div> <div style="margin-top: 20px;"> <p><b>Legend</b></p> <ul style="list-style-type: none"> <li>Command: [Command symbol]</li> <li>Parameter: [Parameter symbol]</li> <li>Display: [Display symbol]</li> <li>Action: [Action symbol]</li> <li>Mode: [Mode symbol]</li> <li>Sequential transfer: [Sequential transfer symbol]</li> </ul> </div>																								

9.2 System Function Command Table 2

Instruction	D/CX	WRX	RDX	D17-8	D7	D6	D5	D4	D3	D2	D1	D0	Hex	Function
RAMCTRL	0	↑	1	-	1	0	1	1	0	0	0	0	(B0h)	RAM Control
	1	↑	1	-	0	0	0	RM	0	0	DM1	DM0		
	1	↑	1	-	1	1	EPF1	EPF0	ENDIAN	RIM	MDT1	MDT0		
RGBCTRL	0	↑	1	-	1	0	1	1	0	0	0	1	(B1h)	RGB Control
	1	↑	1	-	WO	RCM1	RCM0	0	VSPL	HSPL	DPL	EPL		
	1	↑	1	-	0	VBP6	VBP5	VBP4	VBP3	VBP2	VBP1	VBP0		
PORCTRL	0	↑	1	-	1	0	1	1	0	0	1	0	(B2h)	Porch control
	1	↑	1	-	0	BPA6	BPA5	BPA4	BPA3	BPA2	BPA1	BPA0		
	1	↑	1	-	0	FPA6	FPA5	FPA4	FPA3	FPA2	FPA1	FPA0		
	1	↑	1	-	0	0	0	0	0	0	0	PSEN		
	1	↑	1	-	0	0	0	0	0	0	0	0		
	1	↑	1	-	0	BPB3	BPB2	BPB1	BPB0	FPB3	FPB2	FPB1	FPB0	
FRCTRL1	0	↑	1	-	1	0	1	1	0	0	1	1	(B3h)	Frame Rate Control 1
	1	↑	1	-	0	0	0	FRSEN	0	0	DIV1	DIV0		
	1	↑	1	-	NLB2	NLB1	NLB0	RTNB4	RTNB3	RTNB2	RTNB1	RTNB0		
	1	↑	1	-	NLC2	NLC1	NLC0	RTNC4	RTNC3	RTNC2	RTNC1	RTNC0		
GCTRL	0	↑	1	-	1	0	1	1	0	1	1	1	(B7h)	Gate control
	1	↑	1	-	0	VGHS2	VGHS1	VGHS0	0	VGLS2	VGLS1	VGLS0		
DGMEN	0	↑	1	-	1	0	1	1	1	0	1	0	(Bah)	Digital Gamma Enable
	1	↑	1	-	0	0	0	0	0	DGMEN	0	0		
VCOMS	0	↑	1	-	1	0	1	1	1	0	1	1	(BBh)	VCOM Setting
	1	↑	1	-	0	0	VCOMS5	VCOMS4	VCOMS3	VCOMS2	VCOMS1	VCOMS0		
LCMCTRL	0	↑	1	-	1	1	0	0	0	0	0	0	(C0h)	LCM Control
	1	↑	1	-	MX	MY	BGR	REV	SS	MH	MV	GS		
IDSET	0	↑	1	-	1	1	0	0	0	0	0	1	(C1h)	ID Setting
	1	↑	1	-	ID17	ID16	ID15	ID14	ID13	ID12	ID11	ID10		
	1	↑	1	-	ID27	ID26	ID25	ID24	ID23	ID22	ID21	ID20		
	1	↑	1	-	ID37	ID36	ID35	ID34	ID33	ID32	ID31	ID30		
VDVVRHEN	0	↑	1	-	1	1	0	0	0	0	1	0	(C2h)	VDV and VRH Command Enable
	1	↑	1	-	0	0	0	0	0	0	0	CMDEN		
	1	↑	1	-	1	1	1	1	1	1	1	1		

Instruction	D/CX	WRX	RDX	D17-8	D7	D6	D5	D4	D3	D2	D1	D0	Hex	Function
VRHS	0	↑	1		1	1	0	0	0	0	1	1	(C3h)	VRH Set
	1	↑	1		0	0	VRHS5	VRHS4	VRHS3	VRHS2	VRHS1	VRHS0		
VDVSET	0	↑	1	-	1	1	0	0	0	1	0	0	(C4h)	VDV
	1	↑	1	-	0	0	VDVS5	VDVS4	VDVS3	VDVS2	VDVS1	VDVS0		Setting
VCMOFSET	0	↑	1	-	1	1	0	0	0	1	0	1	(C5h)	VCOM
	1	↑	1	-	0	0	VCMOFS5	VCMOFS4	VCMOFS3	VCMOFS2	VCMOFS1	VCMOFS0		Offset Set
FRCTR2	0	↑	1		1	1	0	0	0	1	1	0	(C6h)	FR
	1	↑	1		NLA2	NLA1	NLA0	RTNA4	RTNA3	RTNA2	RTNA1	RTNA0		Control 2
CABCCTRL	0	↑	1	-	1	1	0	0	0	1	1	1	(C7h)	CABC
	1	↑	1	-	0	0	0	0	LEDONREV	DPOFPWM	PWMFIX	PWMPOL		Control
REGSEL1	0	↑	1	-	1	1	0	0	1	0	0	0	(C8h)	Register
	1	↑	1	-	0	0	0	0	1	0	0	0		value selection1
REGSEL2	0	↑	1	-	1	1	0	0	1	0	1	0	(Cah)	Register
	1	↑	1	-	0	0	0	0	1	1	1	1		value selection2
PWCTRL1	0	↑	1	-	1	1	0	1	0	0	0	0	(D0h)	Power
	1	↑	1	-	1	0	1	0	0	1	0	0		Control 1
	1	↑	1	-	AVDD1	AVDD0	AVCL1	AVCL0	0	0	VDS1	VDS0		
VAPVANEN	0	↑	1	-	1	1	0	1	0	0	1	0	(D2h)	Enable
	1	↑	1	-	0	1	0	0	1	1	0	0		VAP/VAN signal output
PVGAMCTRL	0	↑	1	-	1	1	1	0	0	0	0	0	(E0h)	Positive
	1	↑	1	-	V63P3	V63P2	V63P1	V63P0	V0P3	V0P2	V0P1	V0P0		Voltage
	1	↑	1	-	0	0	V1P5	V1P4	V1P3	V1P2	V1P1	V1P0		Gamma
	1	↑	1	-	0	0	V2P5	V2P4	V2P3	V2P2	V2P1	V2P0		Control
	1	↑	1	-	0	0	0	V4P4	V4P3	V4P2	V4P1	V4P0		
	1	↑	1	-	0	0	0	V6P4	V6P3	V6P2	V6P1	V6P0		
	1	↑	1	-	0	0	J0P1	J0P0	V13P3	V13P2	V13P1	V13P0		
	1	↑	1	-	0	V20P6	V20P5	V20P4	V20P3	V20P2	V20P1	V20P0		
	1	↑	1	-	0	V36P2	V36P1	V36P0	0	V27P2	V27P1	V27P0		
	1	↑	1	-	0	V43P6	V43P5	V43P4	V43P3	V43P2	V43P1	V43P0		

Instruction	D/CX	WRX	RDX	D17-8	D7	D6	D5	D4	D3	D2	D1	D0	Hex	Function
	1	↑	1	-	0	0	J1P1	J1P0	V50P3	V50P2	V50P1	V50P0		
	1	↑	1	-	0	0	0	V57P4	V57P3	V57P2	V57P1	V57P0		
	1	↑	1	-	0	0	0	V59P4	V59P3	V59P2	V59P1	V59P0		
	1	↑	1	-	0	0	V61P5	V61P4	V61P3	V61P2	V61P1	V61P0		
	1	↑	1	-	0	0	V62P5	V62P4	V62P3	V62P2	V62P1	V62P0		
NVGAMCTRL	0	↑	1	-	1	1	1	0	0	0	0	1	(E1h)	
	1	↑	1	-	V63N3	V63N2	V63N1	V63N0	V0N3	V0N2	V0N1	V0N0		
	1	↑	1	-	0	0	V1N5	V1N4	V1N3	V1N2	V1N1	V1N0		
	1	↑	1	-	0	0	V2N5	V2N4	V2N3	V2N2	V2N1	V2N0		
	1	↑	1	-	0	0	0	V4N4	V4N3	V4N2	V4N1	V4N0		
	1	↑	1	-	0	0	0	V6N4	V6N3	V6N2	V6N1	V6N0		
	1	↑	1	-	0	0	J0N1	J0N0	V13N3	V13N2	V13N1	V13N0		Negative Voltage Gamma Control
	1	↑	1		0	V20N6	V20N5	V20N4	V20N3	V20N2	V20N1	V20N0		
	1	↑	1		0	V36N2	V36N1	V36N0	0	V27N2	V27N1	V27N0		
	1	↑	1		0	V43N6	V43N5	V43N4	V43N3	V43N2	V43N1	V43N0		
	1	↑	1		0	0	J1N1	J1N0	V50N3	V50N2	V50N1	V50N0		
	1	↑	1		0	0	0	V57N4	V57N3	V57N2	V57N1	V57N0		
	1	↑	1		0	0	0	V59N4	V59N3	V59N2	V59N1	V59N0		
	1	↑	1		0	0	V61N5	V61N4	V61N3	V61N2	V61N1	V61N0		
1	↑	1		0	0	V62N5	V62N4	V62N3	V62N2	V62N1	V62N0			
DGMLUTR	0	↑	1	-	1	1	1	0	0	0	1	0	(E2h)	
	1	↑	1	-	DGM_LUT_R00[7:0]									
	1	↑	1	-	DGM_LUT_R01[7:0]									
	1	↑	1	-	⋮									Digital Gamma Look-up Table for Red
	1	↑	1	-	DGM_LUT_R30[7:0]									
	1	↑	1	-	DGM_LUT_R31[7:0]									
	1	↑	1	-	⋮									
	1	↑	1	-	DGM_LUT_R62[7:0]									
	1	↑	1	-	DGM_LUT_R63[7:0]									
DGMLUTB	0	↑	1	-	1	1	1	0	0	0	1	1	(E3h)	Digital

Instruction	D/CX	WRX	RDX	D17-8	D7	D6	D5	D4	D3	D2	D1	D0	Hex	Function
	1	↑	1	-	DGM_LUT_B00[7:0]									Gamma
	1	↑	1	-	DGM_LUT_B01[7:0]									Look-up
	1	↑	1	-	⋮									Table for
	1	↑	1	-	DGM_LUT_B30[7:0]									Blue
	1	↑	1	-	DGM_LUT_B31[7:0]									
	1	↑	1	-	⋮									
	1	↑	1	-	DGM_LUT_B62[7:0]									
	1	↑	1	-	DGM_LUT_B63[7:0]									
GATECTRL	0	↑	1	-	1	1	1	0	0	1	0	0	(E4h)	Gate control
	1	↑	1	-	0	0	NL5	NL4	NL3	NL2	NL1	NL0		
	1	↑	1	-	0	0	SCN5	SCN4	SCN3	SCN2	SCN1	SCN0		
	1	↑	1	-	0	0	1	0	0	SM	0	GS		
PWCTRL2	0	↑	1	-	1	1	1	0	1	0	0	0	(E8h)	Power
	1	↑	1	-	1	0	SBCLK1	SBCLK0	0	0	STP14CK1	STP14CK0		Control 2
EQCTRL	0	↑	1	-	1	1	1	0	1	0	0	1	(E9h)	Equalize Time Control
	1	↑	1	-	0	0	0	SEQ4	SEQ3	SEQ2	SEQ1	SEQ0		
	1	↑	1	-	0	0	0	SPRET4	SPRET3	SPRET2	SPRET1	SPRET0		
	1	↑	1	-	0	0	0	0	GEQ3	GEQ2	GEQ1	GEQ0		
PROMCTRL	0	↑	1	-	1	1	1	0	1	1	0	0	(Ech)	Program
	1	↑	1	-	0	0	0	0	0	0	0	1		Control
PROMEN	0	↑	1	-	1	1	1	1	1	0	1	0	(Fah)	Program Mode Enable
	1	↑	1	-	0	1	0	1	1	0	1	0		
	1	↑	1	-	0	1	1	0	1	0	0	1		
	1	↑	1	-	1	1	1	0	1	1	1	0		
	1	↑	1	-	0	0	0	0	0	PROMEN	0	0		
NVMSET	0	↑	1	-	1	1	1	1	1	1	0	0	(FCh)	NVM Setting
	1	↑	1	-	ADD7	ADD6	ADD5	ADD4	ADD3	ADD2	ADD1	ADD0		
	1	↑	1	-	D7	D6	D5	D4	D3	D2	D1	D0		
PROMACT	0	↑	1	-	1	1	1	1	1	1	1	0	(Feh)	Program
	1	↑	1	-	0	0	0	1	1	0	0	1		Action

Instruction	D/CX	WRX	RDX	D17-8	D7	D6	D5	D4	D3	D2	D1	D0	Hex	Function
	1	↑	1	-	1	0	1	0	0	1	0	1		



9.2.1 RAMCTRL (B0h): RAM Control

B0H	RAMCTR (RAM Control)												
Inst / Para	D/CX	WRX	RDX	D17-8	D7	D6	D5	D4	D3	D2	D1	D0	HEX
RAMCTRL	0	↑	1	-	1	0	1	1	0	0	0	0	(B0h)
1 <sup>st</sup> Parameter	1	↑	1	-	0	0	0	RM	0	0	DM1	DM0	
2 <sup>nd</sup> Parameter	1	↑	1	-	1	1	EPF1	EPF0	ENDIAN	RIM	MDT1	MDT0	

**RM** : ram access selection.  
 RM="0" : Ram access from MCU interface  
 RM="1" : Ram access from RGB interface

**DM[1:0]** : Display operation selection.

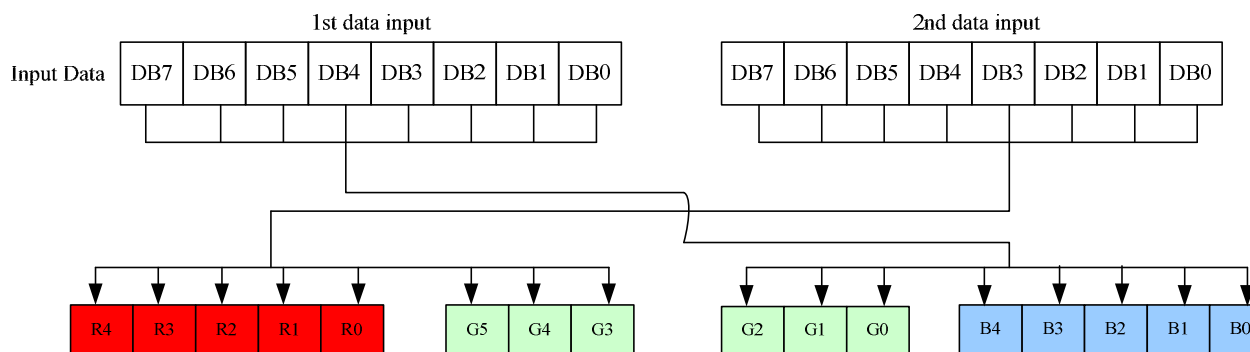
DM[1:0]	Mode
00h	MCU interface
01h	RGB interface
10h	VSYNC interface
11h	Reserved

**ENDIAN** :

ENDIAN	Mode
0	Normal (MSB first)
1	Little Endian (LSB first)

Description

Note: Little Endian only can be supported in 65K 8-bit and 9-bit interface.



**MDT[1:0]** : Method of pixel data transfer.

Please refer to **section 8.8 Data Color Coding**

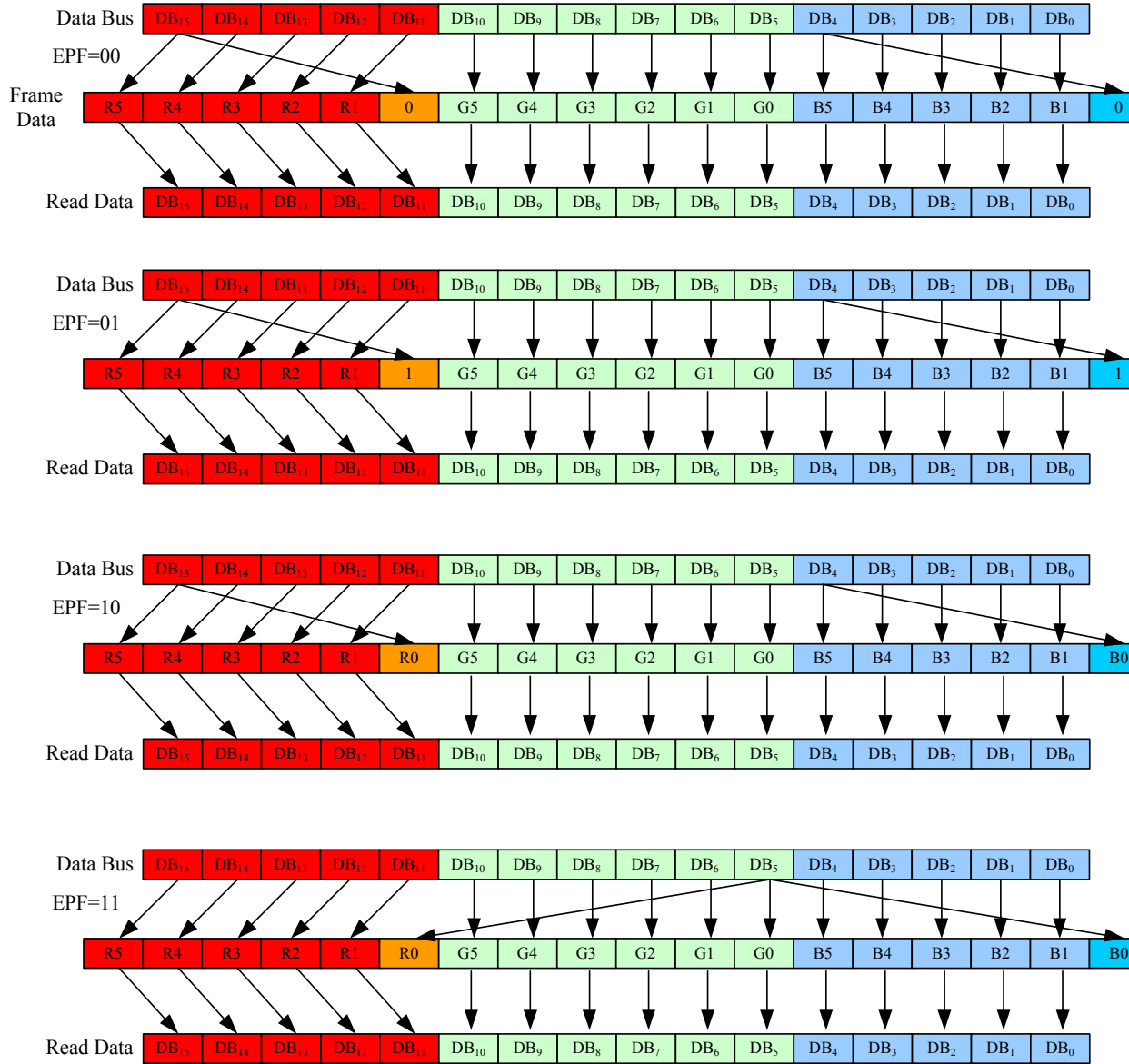
**RIM:** Specify RGB interface bus width.

RIM="0": 18 bit bus width.

RIM="1": 6 bit bus width

**EPF[1:0] :** Data translate of 65k and 4k to frame data.

65K data formate:



Register Availability

Status	Availability
--------	--------------

		Normal Mode On, Idle Mode Off, Sleep Out	Yes								
		Normal Mode On, Idle Mode On, Sleep Out	Yes								
		Partial Mode On, Idle Mode Off, Sleep Out	Yes								
		Partial Mode On, Idle Mode On, Sleep Out	Yes								
		Sleep In	Yes								
Default	<table border="1"> <thead> <tr> <th>Status</th> <th>Default Value</th> </tr> </thead> <tbody> <tr> <td>Power On Sequence</td> <td>00h/F0h</td> </tr> <tr> <td>S/W Reset</td> <td>00h/F0h</td> </tr> <tr> <td>H/W Reset</td> <td>00h/F0h</td> </tr> </tbody> </table>			Status	Default Value	Power On Sequence	00h/F0h	S/W Reset	00h/F0h	H/W Reset	00h/F0h
	Status	Default Value									
	Power On Sequence	00h/F0h									
	S/W Reset	00h/F0h									
	H/W Reset	00h/F0h									

9.2.2 RGBCTRL (B1h): RGB Interface Control

B1H	RGBCTRL (RGB Interface Control)												HEX								
Inst / Para	D/CX	WRX	RDX	D17-8	D7	D6	D5	D4	D3	D2	D1	D0	HEX								
RGBCTRL	0	↑	1	-	1	0	1	1	0	0	0	1	(B1h)								
1 <sup>st</sup> parameter	1	↑	1	-	WO	RCM1	RCM0	0	VSPL	HSPL	DPL	EPL									
2 <sup>nd</sup> parameter	1	↑	1	-	0	VBP6	VBP5	VBP4	VBP3	VBP2	VBP1	VBP0									
3 <sup>rd</sup> parameter	1	↑	1	-	0	0	0	HBP4	HBP3	HBP2	HBP1	HBPO									
Description	<p><b>WO:</b> Direct RGB mode.</p> <table border="1"> <thead> <tr> <th>WO</th> <th>Mode</th> </tr> </thead> <tbody> <tr> <td>0</td> <td>Memory</td> </tr> <tr> <td>1</td> <td>Shift register</td> </tr> </tbody> </table>													WO	Mode	0	Memory	1	Shift register		
	WO	Mode																			
0	Memory																				
1	Shift register																				
<p><b>RCM[1:0]:</b> RGB I/F enable mode selection.</p> <table border="1"> <thead> <tr> <th>RCM[1:0]</th> <th>Mode</th> </tr> </thead> <tbody> <tr> <td>00</td> <td rowspan="2">MCU interface</td> </tr> <tr> <td>01</td> </tr> <tr> <td>10</td> <td>RGB DE mode</td> </tr> <tr> <td>11</td> <td>RGB HV mode</td> </tr> </tbody> </table>													RCM[1:0]	Mode	00	MCU interface	01	10	RGB DE mode	11	RGB HV mode
RCM[1:0]	Mode																				
00	MCU interface																				
01																					
10	RGB DE mode																				
11	RGB HV mode																				
<p><b>VSPL :</b> Sets the signal polarity of the VSYNC pin.            VSPL="0", Low active            VSPL="1", High active</p> <p><b>HSPL :</b> Sets the signal polarity of the HSYNC pin.            HSPL="0", Low active            HSPL="1", High active</p> <p><b>DPL :</b> Sets the signal polarity of the DOTCLK pin.            DPL = "0" The data is input on the positive edge of DOTCLK            DPL = "1" The data is input on the negative edge of DOTCLK</p> <p><b>EPL :</b> Sets the signal polarity of the ENABLE pin.            EPL = "0" The data DB17-0 is written when ENABLE = "1". Disable data write operation when ENABLE = "0".            EPL = "1" The data DB17-0 is written when ENABLE = "0". Disable data write operation when ENABLE = "1".</p> <p><b>VBP[6:0]:</b> RGB interface Vsync back porch setting. Minimum setting is 0x02.</p> <p><b>HBP[4:0]:</b> RGB interface Hsync back porch setting. Please refer to the section 8.9.3 for minimum setting.</p>																					
Register Availability	<table border="1"> <thead> <tr> <th>Status</th> <th>Availability</th> </tr> </thead> <tbody> <tr> <td></td> <td></td> </tr> </tbody> </table>												Status	Availability							
Status	Availability																				

		Normal Mode On, Idle Mode Off, Sleep Out	Yes								
		Normal Mode On, Idle Mode On, Sleep Out	Yes								
		Partial Mode On, Idle Mode Off, Sleep Out	Yes								
		Partial Mode On, Idle Mode On, Sleep Out	Yes								
		Sleep In	Yes								
Default	<table border="1"> <thead> <tr> <th>Status</th> <th>Default Value</th> </tr> </thead> <tbody> <tr> <td>Power On Sequence</td> <td>40h/02h/14h</td> </tr> <tr> <td>S/W Reset</td> <td>40h/02h/14h</td> </tr> <tr> <td>H/W Reset</td> <td>40h/02h/14h</td> </tr> </tbody> </table>			Status	Default Value	Power On Sequence	40h/02h/14h	S/W Reset	40h/02h/14h	H/W Reset	40h/02h/14h
	Status	Default Value									
	Power On Sequence	40h/02h/14h									
	S/W Reset	40h/02h/14h									
	H/W Reset	40h/02h/14h									

9.2.3 PORCTRL (B2h): Porch Setting

B2H	PORCTRL (Porch Setting)												HEX						
Inst / Para	D/CX	WRX	RDX	D17-8	D7	D6	D5	D4	D3	D2	D1	D0	HEX						
PORCTRL	0	↑	1	-	1	0	1	1	0	0	1	0	(B2h)						
1 <sup>st</sup> parameter	1	↑	1	-	0	BPA6	BPA5	BPA4	BPA3	BPA2	BPA1	BPA0							
2 <sup>nd</sup> parameter	1	↑	1	-	0	FPA6	FPA5	FPA4	FPA3	FPA2	FPA1	FPA0							
3 <sup>rd</sup> parameter	1	↑	1	-	0	0	0	0	0	0	0	PSEN							
4 <sup>th</sup> parameter	1	↑	1	-	BPB3	BPB2	BPB1	BPB0	FPB3	FPB2	FPB1	FPB0							
5 <sup>th</sup> parameter	1	↑	1	-	BPC3	BPC2	BPC1	BPC0	FPC3	FPC2	FPC1	FPC0							
Description	<p><b>BPA[6:0]:</b> Back porch setting in normal mode. The minimum setting is 0x01.</p> <p><b>FPA[6:0]:</b> Front porch setting in normal mode. The minimum setting is 0x01.</p> <p><b>PSEN:</b> Enable separate porch control.</p> <table border="1"> <thead> <tr> <th>PSEN</th> <th>Mode</th> </tr> </thead> <tbody> <tr> <td>0</td> <td>Disable separate porch control</td> </tr> <tr> <td>1</td> <td>Enable separate porch control</td> </tr> </tbody> </table> <p><b>BPB[3:0]:</b> Back porch setting in idle mode. The minimum setting is 0x01.</p> <p><b>FPB[3:0]:</b> Front porch setting in idle mode. The minimum setting is 0x01.</p> <p><b>BPC[3:0]:</b> Back porch setting in partial mode. The minimum setting is 0x01.</p> <p><b>FPC[3:0]:</b> Front porch setting in partial mode. The minimum setting is 0x01.</p>													PSEN	Mode	0	Disable separate porch control	1	Enable separate porch control
	PSEN	Mode																	
	0	Disable separate porch control																	
	1	Enable separate porch control																	
	Register Availability	Status						Availability											
Normal Mode On, Idle Mode Off, Sleep Out						Yes													
Normal Mode On, Idle Mode On, Sleep Out						Yes													
Partial Mode On, Idle Mode Off, Sleep Out						Yes													
Partial Mode On, Idle Mode On, Sleep Out						Yes													
Sleep In						Yes													
Default	Status					Default Value													
	Power On Sequence					08h/08h/00h/22h/22h													
	S/W Reset					08h/08h/00h/22h/22h													
	H/W Reset					08h/08h/00h/22h/22h													

9.2.4 FRCTRL1 (B3h): Frame Rate Control 1 (In partial mode/ idle colors)

B3H	FRCTRL1 (Frame rate control 1)																																																																												
Inst / Para	D/CX	WRX	RDX	D17-8	D7	D6	D5	D4	D3	D2	D1	D0	HEX																																																																
FRCTRL1	0	↑	1	-	1	0	1	1	0	0	1	1	(B3h)																																																																
1 <sup>st</sup> parameter	1	↑	1	-	0	0	0	FRSEN	0	0	DIV1	DIV0																																																																	
2 <sup>nd</sup> parameter	1	↑	1	-	NLB2	NLB1	NLB0	RTNB4	RTNB3	RTNB2	RTNB1	RTNB0																																																																	
3 <sup>rd</sup> parameter	1	↑	1	-	NLC2	NLC1	NLC0	RTNC4	RTNC3	RTNC2	RTNC1	RTNC0																																																																	
Description	<p><b>FRSEN:</b> Enable separate frame rate control.                      When FRSEN=0, Frame rate of idle and partial mode are determined by C6h                      When FRSEN=1, Frame rate of idle and partial mode are determined by B3h</p> <table border="1"> <thead> <tr> <th>FRSEN</th> <th>Mode</th> </tr> </thead> <tbody> <tr> <td>0</td> <td>Disable separate FR control</td> </tr> <tr> <td>1</td> <td>Enable separate FR control</td> </tr> </tbody> </table> <p><b>DIV[1:0]:</b> Frame rate divided control</p> <table border="1"> <thead> <tr> <th>DIV[1:0]</th> <th>Mode</th> </tr> </thead> <tbody> <tr> <td>00</td> <td>Divide by 1</td> </tr> <tr> <td>01</td> <td>Divide by 2</td> </tr> <tr> <td>10</td> <td>Divide by 4</td> </tr> <tr> <td>11</td> <td>Divide by 8</td> </tr> </tbody> </table> <p><b>NLB[2:0]:</b> Inversion selection in idle mode.                      0x00: dot inversion.                      0x07: column inversion.</p> <p><b>RTNB[4:0]:</b> Frame rate control in idle mode.</p> <table border="1"> <thead> <tr> <th>RTNB[4:0]</th> <th>FR in idle mode (Hz)</th> <th>RTNB[4:0]</th> <th>FR in idle mode (Hz)</th> </tr> </thead> <tbody> <tr><td>00h</td><td>119</td><td>10h</td><td>58</td></tr> <tr><td>01h</td><td>111</td><td>11h</td><td>57</td></tr> <tr><td>02h</td><td>105</td><td>12h</td><td>55</td></tr> <tr><td>03h</td><td>99</td><td>13h</td><td>53</td></tr> <tr><td>04h</td><td>94</td><td>14h</td><td>52</td></tr> <tr><td>05h</td><td>90</td><td>15h</td><td>50</td></tr> <tr><td>06h</td><td>86</td><td>16h</td><td>49</td></tr> <tr><td>07h</td><td>82</td><td>17h</td><td>48</td></tr> <tr><td>08h</td><td>78</td><td>18h</td><td>46</td></tr> <tr><td>09h</td><td>75</td><td>19h</td><td>45</td></tr> <tr><td>0Ah</td><td>72</td><td>1Ah</td><td>44</td></tr> </tbody> </table>													FRSEN	Mode	0	Disable separate FR control	1	Enable separate FR control	DIV[1:0]	Mode	00	Divide by 1	01	Divide by 2	10	Divide by 4	11	Divide by 8	RTNB[4:0]	FR in idle mode (Hz)	RTNB[4:0]	FR in idle mode (Hz)	00h	119	10h	58	01h	111	11h	57	02h	105	12h	55	03h	99	13h	53	04h	94	14h	52	05h	90	15h	50	06h	86	16h	49	07h	82	17h	48	08h	78	18h	46	09h	75	19h	45	0Ah	72	1Ah	44
	FRSEN	Mode																																																																											
	0	Disable separate FR control																																																																											
	1	Enable separate FR control																																																																											
	DIV[1:0]	Mode																																																																											
	00	Divide by 1																																																																											
	01	Divide by 2																																																																											
	10	Divide by 4																																																																											
	11	Divide by 8																																																																											
	RTNB[4:0]	FR in idle mode (Hz)	RTNB[4:0]	FR in idle mode (Hz)																																																																									
00h	119	10h	58																																																																										
01h	111	11h	57																																																																										
02h	105	12h	55																																																																										
03h	99	13h	53																																																																										
04h	94	14h	52																																																																										
05h	90	15h	50																																																																										
06h	86	16h	49																																																																										
07h	82	17h	48																																																																										
08h	78	18h	46																																																																										
09h	75	19h	45																																																																										
0Ah	72	1Ah	44																																																																										

	<table border="1"> <tr> <td>0Bh</td> <td>69</td> <td>1Bh</td> <td>43</td> </tr> <tr> <td>0Ch</td> <td>67</td> <td>1Ch</td> <td>42</td> </tr> <tr> <td>0Dh</td> <td>64</td> <td>1Dh</td> <td>41</td> </tr> <tr> <td>0Eh</td> <td>62</td> <td>1Eh</td> <td>40</td> </tr> <tr> <td>0Fh</td> <td>60</td> <td>1Fh</td> <td>39</td> </tr> </table> <p><b>NLC[2:0]:</b> Inversion setting in partial mode.  0x00: dot inversion.  0x07: column inversion.</p> <p><b>RTNC[4:0]:</b> Frame rate control in partial mode. This setting is equal to RTNB.</p>	0Bh	69	1Bh	43	0Ch	67	1Ch	42	0Dh	64	1Dh	41	0Eh	62	1Eh	40	0Fh	60	1Fh	39
0Bh	69	1Bh	43																		
0Ch	67	1Ch	42																		
0Dh	64	1Dh	41																		
0Eh	62	1Eh	40																		
0Fh	60	1Fh	39																		
Register Availability	<table border="1"> <thead> <tr> <th>Status</th> <th>Availability</th> </tr> </thead> <tbody> <tr> <td>Normal Mode On, Idle Mode Off, Sleep Out</td> <td>Yes</td> </tr> <tr> <td>Normal Mode On, Idle Mode On, Sleep Out</td> <td>Yes</td> </tr> <tr> <td>Partial Mode On, Idle Mode Off, Sleep Out</td> <td>Yes</td> </tr> <tr> <td>Partial Mode On, Idle Mode On, Sleep Out</td> <td>Yes</td> </tr> <tr> <td>Sleep In</td> <td>Yes</td> </tr> </tbody> </table>	Status	Availability	Normal Mode On, Idle Mode Off, Sleep Out	Yes	Normal Mode On, Idle Mode On, Sleep Out	Yes	Partial Mode On, Idle Mode Off, Sleep Out	Yes	Partial Mode On, Idle Mode On, Sleep Out	Yes	Sleep In	Yes								
Status	Availability																				
Normal Mode On, Idle Mode Off, Sleep Out	Yes																				
Normal Mode On, Idle Mode On, Sleep Out	Yes																				
Partial Mode On, Idle Mode Off, Sleep Out	Yes																				
Partial Mode On, Idle Mode On, Sleep Out	Yes																				
Sleep In	Yes																				
Default	<table border="1"> <thead> <tr> <th>Status</th> <th>Default Value</th> </tr> </thead> <tbody> <tr> <td>Power On Sequence</td> <td>00h/0Fh/0Fh</td> </tr> <tr> <td>S/W Reset</td> <td>00h/0Fh/0Fh</td> </tr> <tr> <td>H/W Reset</td> <td>00h/0Fh/0Fh</td> </tr> </tbody> </table>	Status	Default Value	Power On Sequence	00h/0Fh/0Fh	S/W Reset	00h/0Fh/0Fh	H/W Reset	00h/0Fh/0Fh												
Status	Default Value																				
Power On Sequence	00h/0Fh/0Fh																				
S/W Reset	00h/0Fh/0Fh																				
H/W Reset	00h/0Fh/0Fh																				



9.2.5 GCTRL (B7h): Gate Control

B7H	GCTRL (Gate Control)																														
Inst / Para	D/CX	WRX	RDX	D17-8	D7	D6	D5	D4	D3	D2	D1	D0	HEX																		
GCTRL	0	↑	1	-	1	0	1	1	0	1	1	1	(B7h)																		
Parameter	1	↑	1	-	0	VGHS2	VGHS1	VGHS0	0	VGLS2	VGLS1	VGLS0																			
Description	<b>VGHS[2:0]: VGH Setting.</b>																														
	<table border="1"> <thead> <tr> <th>VGHS[2:0]</th> <th>VGH (V)</th> </tr> </thead> <tbody> <tr><td>00h</td><td>12.2</td></tr> <tr><td>01h</td><td>12.54</td></tr> <tr><td>02h</td><td>12.89</td></tr> <tr><td>03h</td><td>13.26</td></tr> <tr><td>04h</td><td>13.65</td></tr> <tr><td>05h</td><td>14.06</td></tr> <tr><td>06h</td><td>14.5</td></tr> <tr><td>07h</td><td>14.97</td></tr> </tbody> </table>													VGHS[2:0]	VGH (V)	00h	12.2	01h	12.54	02h	12.89	03h	13.26	04h	13.65	05h	14.06	06h	14.5	07h	14.97
	VGHS[2:0]	VGH (V)																													
	00h	12.2																													
	01h	12.54																													
	02h	12.89																													
	03h	13.26																													
	04h	13.65																													
	05h	14.06																													
	06h	14.5																													
	07h	14.97																													
	<b>VGLS[2:0]: VGL Setting.</b>																														
	<table border="1"> <thead> <tr> <th>VGLS[2:0]</th> <th>VGL (V)</th> </tr> </thead> <tbody> <tr><td>00h</td><td>-7.16</td></tr> <tr><td>01h</td><td>-7.67</td></tr> <tr><td>02h</td><td>-8.23</td></tr> <tr><td>03h</td><td>-8.87</td></tr> <tr><td>04h</td><td>-9.6</td></tr> <tr><td>05h</td><td>-10.43</td></tr> <tr><td>06h</td><td>-11.38</td></tr> <tr><td>07h</td><td>-12.5</td></tr> </tbody> </table>													VGLS[2:0]	VGL (V)	00h	-7.16	01h	-7.67	02h	-8.23	03h	-8.87	04h	-9.6	05h	-10.43	06h	-11.38	07h	-12.5
	VGLS[2:0]	VGL (V)																													
	00h	-7.16																													
	01h	-7.67																													
	02h	-8.23																													
	03h	-8.87																													
	04h	-9.6																													
	05h	-10.43																													
06h	-11.38																														
07h	-12.5																														
Register Availability	<table border="1"> <thead> <tr> <th>Status</th> <th>Availability</th> </tr> </thead> <tbody> <tr> <td>Normal Mode On, Idle Mode Off, Sleep Out</td> <td>Yes</td> </tr> <tr> <td>Normal Mode On, Idle Mode On, Sleep Out</td> <td>Yes</td> </tr> <tr> <td>Partial Mode On, Idle Mode Off, Sleep Out</td> <td>Yes</td> </tr> <tr> <td>Partial Mode On, Idle Mode On, Sleep Out</td> <td>Yes</td> </tr> <tr> <td>Sleep In</td> <td>Yes</td> </tr> </tbody> </table>													Status	Availability	Normal Mode On, Idle Mode Off, Sleep Out	Yes	Normal Mode On, Idle Mode On, Sleep Out	Yes	Partial Mode On, Idle Mode Off, Sleep Out	Yes	Partial Mode On, Idle Mode On, Sleep Out	Yes	Sleep In	Yes						
	Status	Availability																													
	Normal Mode On, Idle Mode Off, Sleep Out	Yes																													
	Normal Mode On, Idle Mode On, Sleep Out	Yes																													
	Partial Mode On, Idle Mode Off, Sleep Out	Yes																													
	Partial Mode On, Idle Mode On, Sleep Out	Yes																													
Sleep In	Yes																														

Default	<b>Status</b>	<b>Default Value</b>
	Power On Sequence	35h
	S/W Reset	35h
	H/W Reset	35h

9.2.6 DGMEN (Bah): Digital Gamma Enable

BAH	DGMEN (Digital Gamma Enable)																								
Inst / Para	D/CX	WRX	RDX	D17-8	D7	D6	D5	D4	D3	D2	D1	D0	HEX												
DGMEN	0	↑	1	-	1	0	1	1	1	0	1	0	(Bah)												
Parameter	1	↑	1	-	0	0	0	0	0	DGMEN	0	0													
Description	<p><b>DGMEN:</b>                      "0": disable digital gamma.                      "1": enable digital gamma.</p>																								
Register Availability	<table border="1"> <thead> <tr> <th>Status</th> <th>Availability</th> </tr> </thead> <tbody> <tr> <td>Normal Mode On, Idle Mode Off, Sleep Out</td> <td>Yes</td> </tr> <tr> <td>Normal Mode On, Idle Mode On, Sleep Out</td> <td>Yes</td> </tr> <tr> <td>Partial Mode On, Idle Mode Off, Sleep Out</td> <td>Yes</td> </tr> <tr> <td>Partial Mode On, Idle Mode On, Sleep Out</td> <td>Yes</td> </tr> <tr> <td>Sleep In</td> <td>Yes</td> </tr> </tbody> </table>													Status	Availability	Normal Mode On, Idle Mode Off, Sleep Out	Yes	Normal Mode On, Idle Mode On, Sleep Out	Yes	Partial Mode On, Idle Mode Off, Sleep Out	Yes	Partial Mode On, Idle Mode On, Sleep Out	Yes	Sleep In	Yes
Status	Availability																								
Normal Mode On, Idle Mode Off, Sleep Out	Yes																								
Normal Mode On, Idle Mode On, Sleep Out	Yes																								
Partial Mode On, Idle Mode Off, Sleep Out	Yes																								
Partial Mode On, Idle Mode On, Sleep Out	Yes																								
Sleep In	Yes																								
Default	<table border="1"> <thead> <tr> <th>Status</th> <th>Default Value</th> </tr> </thead> <tbody> <tr> <td>Power On Sequence</td> <td>00h</td> </tr> <tr> <td>S/W Reset</td> <td>00h</td> </tr> <tr> <td>H/W Reset</td> <td>00h</td> </tr> </tbody> </table>													Status	Default Value	Power On Sequence	00h	S/W Reset	00h	H/W Reset	00h				
Status	Default Value																								
Power On Sequence	00h																								
S/W Reset	00h																								
H/W Reset	00h																								

9.2.7 VCOMS (BBh): VCOM Setting

BBH	VCOMS (VCOM Setting)												
Inst / Para	D/CX	WRX	RDX	D17-8	D7	D6	D5	D4	D3	D2	D1	D0	HEX
VCOMS	0	↑	1	-	1	0	1	1	1	0	1	1	(BBh)
Parameter	1	↑	1	-	0	0	VCOM5	VCOM4	VCOM3	VCOM2	VCOM1	VCOM0	
Description	<b>VCOMS[5:0]:</b>												
			<b>VCOMS[5:0]</b>		<b>VCOM (V)</b>		<b>VCOMS[5:0]</b>		<b>VCOM (V)</b>				
			00h		0.1		20h		0.9				
			01h		0.125		21h		0.925				
			02h		0.15		22h		0.95				
			03h		0.175		23h		0.975				
			04h		0.2		24h		1.0				
			05h		0.225		25h		1.025				
			06h		0.25		26h		1.05				
			07h		0.275		27h		1.075				
			08h		0.3		28h		1.1				
			09h		0.325		29h		1.125				
			0Ah		0.35		2Ah		1.15				
			0Bh		0.375		2Bh		1.175				
			0Ch		0.4		2Ch		1.2				
			0Dh		0.425		2Dh		1.225				
			0Eh		0.45		2Eh		1.25				
			0Fh		0.475		2Fh		1.275				
			10h		0.5		30h		1.3				
			11h		0.525		31h		1.325				
			12h		0.55		32h		1.35				
			13h		0.575		33h		1.375				
			14h		0.6		34h		1.4				
			15h		0.625		35h		1.425				
			16h		0.65		36h		1.45				
			17h		0.675		37h		1.475				
			18h		0.7		38h		1.5				
			19h		0.725		39h		1.525				
		1Ah		0.75		3Ah		1.55					
		1Bh		0.775		3Bh		1.575					
		1Ch		0.8		3Ch		1.6					
		1Dh		0.825		3Dh		1.625					

	<table border="1"> <tr> <td>1Eh</td> <td>0.85</td> <td>3Eh</td> <td>1.65</td> </tr> <tr> <td>1Fh</td> <td>0.875</td> <td>3Fh</td> <td>1.675</td> </tr> </table>	1Eh	0.85	3Eh	1.65	1Fh	0.875	3Fh	1.675				
1Eh	0.85	3Eh	1.65										
1Fh	0.875	3Fh	1.675										
Register Availability	<table border="1"> <thead> <tr> <th>Status</th> <th>Availability</th> </tr> </thead> <tbody> <tr> <td>Normal Mode On, Idle Mode Off, Sleep Out</td> <td>Yes</td> </tr> <tr> <td>Normal Mode On, Idle Mode On, Sleep Out</td> <td>Yes</td> </tr> <tr> <td>Partial Mode On, Idle Mode Off, Sleep Out</td> <td>Yes</td> </tr> <tr> <td>Partial Mode On, Idle Mode On, Sleep Out</td> <td>Yes</td> </tr> <tr> <td>Sleep In</td> <td>Yes</td> </tr> </tbody> </table>	Status	Availability	Normal Mode On, Idle Mode Off, Sleep Out	Yes	Normal Mode On, Idle Mode On, Sleep Out	Yes	Partial Mode On, Idle Mode Off, Sleep Out	Yes	Partial Mode On, Idle Mode On, Sleep Out	Yes	Sleep In	Yes
Status	Availability												
Normal Mode On, Idle Mode Off, Sleep Out	Yes												
Normal Mode On, Idle Mode On, Sleep Out	Yes												
Partial Mode On, Idle Mode Off, Sleep Out	Yes												
Partial Mode On, Idle Mode On, Sleep Out	Yes												
Sleep In	Yes												
Default	<table border="1"> <thead> <tr> <th>Status</th> <th>Default Value</th> </tr> </thead> <tbody> <tr> <td>Power On Sequence</td> <td>20h</td> </tr> <tr> <td>S/W Reset</td> <td>20h</td> </tr> <tr> <td>H/W Reset</td> <td>20h</td> </tr> </tbody> </table>	Status	Default Value	Power On Sequence	20h	S/W Reset	20h	H/W Reset	20h				
Status	Default Value												
Power On Sequence	20h												
S/W Reset	20h												
H/W Reset	20h												

9.2.8 LCMCTRL (C0h): LCM Control

C0H	LCMCTRL (LCM Control)																								
Inst / Para	D/CX	WRX	RDX	D17-8	D7	D6	D5	D4	D3	D2	D1	D0	HEX												
LCMCTRL	0	↑	1	-	1	1	0	0	0	0	0	0	(C0h)												
1 <sup>st</sup> parameter	1	↑	1	-	0	XMY	XBGR	XINV	XXM	XXM	XXM	GS													
Description	<p><b>XMY:</b> XOR MY setting in command 36h.  <b>XBGR:</b> XOR RGB setting in command 36h.  <b>XREV:</b> XOR inverse setting in command 21h  <b>XXM:</b> XOR MH setting in command 36h, only support RGB interface.  <b>XXM:</b> XOR MV setting in command 36h  <b>XXM:</b> XOR MX setting in command 36h.  <b>GS:</b> Gate scan inversion enable: 1: enable, 0: disable.</p>																								
Register Availability	<table border="1"> <thead> <tr> <th>Status</th> <th>Availability</th> </tr> </thead> <tbody> <tr> <td>Normal Mode On, Idle Mode Off, Sleep Out</td> <td>Yes</td> </tr> <tr> <td>Normal Mode On, Idle Mode On, Sleep Out</td> <td>Yes</td> </tr> <tr> <td>Partial Mode On, Idle Mode Off, Sleep Out</td> <td>Yes</td> </tr> <tr> <td>Partial Mode On, Idle Mode On, Sleep Out</td> <td>Yes</td> </tr> <tr> <td>Sleep In</td> <td>Yes</td> </tr> </tbody> </table>													Status	Availability	Normal Mode On, Idle Mode Off, Sleep Out	Yes	Normal Mode On, Idle Mode On, Sleep Out	Yes	Partial Mode On, Idle Mode Off, Sleep Out	Yes	Partial Mode On, Idle Mode On, Sleep Out	Yes	Sleep In	Yes
Status	Availability																								
Normal Mode On, Idle Mode Off, Sleep Out	Yes																								
Normal Mode On, Idle Mode On, Sleep Out	Yes																								
Partial Mode On, Idle Mode Off, Sleep Out	Yes																								
Partial Mode On, Idle Mode On, Sleep Out	Yes																								
Sleep In	Yes																								
Default	<table border="1"> <thead> <tr> <th>Status</th> <th>Default Value</th> </tr> </thead> <tbody> <tr> <td>Power On Sequence</td> <td>2Ch</td> </tr> <tr> <td>S/W Reset</td> <td>2Ch</td> </tr> <tr> <td>H/W Reset</td> <td>2Ch</td> </tr> </tbody> </table>													Status	Default Value	Power On Sequence	2Ch	S/W Reset	2Ch	H/W Reset	2Ch				
Status	Default Value																								
Power On Sequence	2Ch																								
S/W Reset	2Ch																								
H/W Reset	2Ch																								

9.2.9 IDSET (C1h): ID Code Setting

C1H	IDSET (ID Code Setting)												
Inst / Para	D/CX	WRX	RDX	D17-8	D7	D6	D5	D4	D3	D2	D1	D0	HEX
IDSET	0	↑	1	-	1	1	0	0	0	0	0	1	(C1h)
Parameter 1 <sup>st</sup>	1	↑	1	-	ID17	ID16	ID15	ID14	ID13	ID12	ID11	ID10	
Parameter 2 <sup>nd</sup>	1	↑	1	-	ID27	ID26	ID25	ID24	ID23	ID22	ID21	ID20	
Parameter 3 <sup>rd</sup>	1	↑	1	-	ID37	ID36	ID35	ID34	ID33	ID32	ID31	ID30	
Description	<b>ID1[7:0]:</b> ID1 Setting. <b>ID2[7:0]:</b> ID2 Setting. <b>ID3[7:0]:</b> ID3 Setting.												
Register Availability	Status						Availability						
	Normal Mode On, Idle Mode Off, Sleep Out						Yes						
	Normal Mode On, Idle Mode On, Sleep Out						Yes						
	Partial Mode On, Idle Mode Off, Sleep Out						Yes						
	Partial Mode On, Idle Mode On, Sleep Out						Yes						
	Sleep In						Yes						
Default	Status						Default Value						
	Power On Sequence						85h/85h/52h						
	S/W Reset						85h/85h/52h						
	H/W Reset						85h/85h/52h						

9.2.10 VDVVRHEN (C2h): VDV and VRH Command Enable

C2H	VDVVRHEN (VDV and VRH Command Enable)																								
Inst / Para	D/CX	WRX	RDX	D17-8	D7	D6	D5	D4	D3	D2	D1	D0	HEX												
VDVVRHEN	0	↑	1	-	1	1	0	0	0	0	1	0	(C2h)												
1 <sup>st</sup> Parameter	1	↑	1	-	0	0	0	0	0	0	0	CMDEN													
2 <sup>nd</sup> Parameter	1	↑	1	-	1	1	1	1	1	1	1	1													
Description	<p><b>CMDEN:</b> VDV and VRH command write enable.</p> <p>CMDEN="0": VDV and VRH register value comes from NVM.</p> <p>CMDEN="1", VDV and VRH register value comes from command write.</p>																								
Register Availability	<table border="1"> <thead> <tr> <th>Status</th> <th>Availability</th> </tr> </thead> <tbody> <tr> <td>Normal Mode On, Idle Mode Off, Sleep Out</td> <td>Yes</td> </tr> <tr> <td>Normal Mode On, Idle Mode On, Sleep Out</td> <td>Yes</td> </tr> <tr> <td>Partial Mode On, Idle Mode Off, Sleep Out</td> <td>Yes</td> </tr> <tr> <td>Partial Mode On, Idle Mode On, Sleep Out</td> <td>Yes</td> </tr> <tr> <td>Sleep In</td> <td>Yes</td> </tr> </tbody> </table>													Status	Availability	Normal Mode On, Idle Mode Off, Sleep Out	Yes	Normal Mode On, Idle Mode On, Sleep Out	Yes	Partial Mode On, Idle Mode Off, Sleep Out	Yes	Partial Mode On, Idle Mode On, Sleep Out	Yes	Sleep In	Yes
Status	Availability																								
Normal Mode On, Idle Mode Off, Sleep Out	Yes																								
Normal Mode On, Idle Mode On, Sleep Out	Yes																								
Partial Mode On, Idle Mode Off, Sleep Out	Yes																								
Partial Mode On, Idle Mode On, Sleep Out	Yes																								
Sleep In	Yes																								
Default	<table border="1"> <thead> <tr> <th>Status</th> <th>Default Value</th> </tr> </thead> <tbody> <tr> <td>Power On Sequence</td> <td>01h/FFh</td> </tr> <tr> <td>S/W Reset</td> <td>01h/FFh</td> </tr> <tr> <td>H/W Reset</td> <td>01h/FFh</td> </tr> </tbody> </table>													Status	Default Value	Power On Sequence	01h/FFh	S/W Reset	01h/FFh	H/W Reset	01h/FFh				
Status	Default Value																								
Power On Sequence	01h/FFh																								
S/W Reset	01h/FFh																								
H/W Reset	01h/FFh																								



9.2.11 VRHS (C3h): VRH Set

C3H	VRHS (VRH Set)												
Inst / Para	D/CX	WRX	RDX	D17-8	D7	D6	D5	D4	D3	D2	D1	D0	HEX
VRHS	0	↑	1	-	1	1	0	0	0	0	1	1	(C3h)
1 <sup>st</sup> Parameter	1	↑	1	-	0	0	VRHS5	VRHS4	VRHS3	VRHS2	VRHS1	VRHS0	
Description	<b>VRHS[5:0]: VRH Set.</b>												
	<b>VRHS[5:0]</b>	<b>VAP(GVDD) (V)</b>					<b>VRHS[5:0]</b>	<b>VAP(GVDD) (V)</b>					
	00h	3.55+(vcom+vcom offset+0.5vdv)					15h	4.6+( vcom+vcom offset+0.5vdv)					
	01h	3.6+( vcom+vcom offset+0.5vdv)					16h	4.65+( vcom+vcom offset+0.5vdv)					
	02h	3.65+( vcom+vcom offset+0.5vdv)					17h	4.7+( vcom+vcom offset+0.5vdv)					
	03h	3.7+( vcom+vcom offset+0.5vdv)					18h	4.75+( vcom+vcom offset+0.5vdv)					
	04h	3.75+( vcom+vcom offset+0.5vdv)					19h	4.8+( vcom+vcom offset+0.5vdv)					
	05h	3.8+( vcom+vcom offset+0.5vdv)					1Ah	4.85+( vcom+vcom offset+0.5vdv)					
	06h	3.85+( vcom+vcom offset+0.5vdv)					1Bh	4.9+( vcom+vcom offset+0.5vdv)					
	07h	3.9+( vcom+vcom offset+0.5vdv)					1Ch	4.95+( vcom+vcom offset+0.5vdv)					
	08h	3.95+( vcom+vcom offset+0.5vdv)					1Dh	5+( vcom+vcom offset+0.5vdv)					
	09h	4+( vcom+vcom offset+0.5vdv)					1Eh	5.05+( vcom+vcom offset+0.5vdv)					
	0Ah	4.05+( vcom+vcom offset+0.5vdv)					1Fh	5.1+( vcom+vcom offset+0.5vdv)					
	0Bh	4.1+( vcom+vcom offset+0.5vdv)					20h	5.15+( vcom+vcom offset+0.5vdv)					
	0Ch	4.15+( vcom+vcom offset+0.5vdv)					21h	5.2+( vcom+vcom offset+0.5vdv)					
	0Dh	4.2+( vcom+vcom offset+0.5vdv)					22h	5.25+( vcom+vcom offset+0.5vdv)					
	0Eh	4.25+( vcom+vcom offset+0.5vdv)					23h	5.3+( vcom+vcom offset+0.5vdv)					
	0Fh	4.3+( vcom+vcom offset+0.5vdv)					24h	5.35+( vcom+vcom offset+0.5vdv)					
	10h	4.35+( vcom+vcom offset+0.5vdv)					25h	5.4+( vcom+vcom offset+0.5vdv)					
	11h	4.4+( vcom+vcom offset+0.5vdv)					26h	5.45+( vcom+vcom offset+0.5vdv)					
	12h	4.45+( vcom+vcom offset+0.5vdv)					27h	5.5+( vcom+vcom offset+0.5vdv)					
	13h	4.5+( vcom+vcom offset+0.5vdv)					28h~3Fh	Reserved					
	14h	4.55+( vcom+vcom offset+0.5vdv)					--	--					
	<b>VRHS[5:0]</b>	<b>VAN(GVCL) (V)</b>					<b>VRHS[5:0]</b>	<b>VAN(GVCL) (V)</b>					
	00h	-3.55+(vcom+vcom offset-0.5vdv)					15h	-4.6+( vcom+vcom offset-0.5vdv)					
	01h	-3.6+( vcom+vcom offset-0.5vdv)					16h	-4.65+( vcom+vcom offset-0.5vdv)					
	02h	-3.65+( vcom+vcom offset-0.5vdv)					17h	-4.7+( vcom+vcom offset-0.5vdv)					
	03h	-3.7+( vcom+vcom offset-0.5vdv)					18h	-4.75+( vcom+vcom offset-0.5vdv)					
	04h	-3.75+( vcom+vcom offset-0.5vdv)					19h	-4.8+( vcom+vcom offset-0.5vdv)					
05h	-3.8+( vcom+vcom offset-0.5vdv)					1Ah	-4.85+( vcom+vcom offset-0.5vdv)						
06h	-3.85+( vcom+vcom offset-0.5vdv)					1Bh	-4.9+( vcom+vcom offset-0.5vdv)						

	07h	-3.9+( vcom+vcom offset-0.5vdv)	1Ch	-4.95+( vcom+vcom offset-0.5vdv)												
	08h	-3.95+( vcom+vcom offset-0.5vdv)	1Dh	-5+( vcom+vcom offset-0.5vdv)												
	09h	-4+( vcom+vcom offset-0.5vdv)	1Eh	-5.05+( vcom+vcom offset-0.5vdv)												
	0Ah	-4.05+( vcom+vcom offset-0.5vdv)	1Fh	-5.1+( vcom+vcom offset-0.5vdv)												
	0Bh	-4.1+( vcom+vcom offset-0.5vdv)	20h	-5.15+( vcom+vcom offset-0.5vdv)												
	0Ch	-4.15+( vcom+vcom offset-0.5vdv)	21h	-5.2+( vcom+vcom offset-0.5vdv)												
	0Dh	-4.2+( vcom+vcom offset-0.5vdv)	22h	-5.25+( vcom+vcom offset-0.5vdv)												
	0Eh	-4.25+( vcom+vcom offset-0.5vdv)	23h	-5.3+( vcom+vcom offset-0.5vdv)												
	0Fh	-4.3+( vcom+vcom offset-0.5vdv)	24h	-5.35+( vcom+vcom offset-0.5vdv)												
	10h	-4.35+( vcom+vcom offset-0.5vdv)	25h	-5.4+( vcom+vcom offset-0.5vdv)												
	11h	-4.4+( vcom+vcom offset-0.5vdv)	26h	-5.45+( vcom+vcom offset-0.5vdv)												
	12h	-4.45+( vcom+vcom offset-0.5vdv)	27h	-5.5+( vcom+vcom offset-0.5vdv)												
	13h	-4.5+( vcom+vcom offset-0.5vdv)	28h~3Fh	Reserved												
	14h	-4.55+( vcom+vcom offset-0.5vdv)	--	--												
Register Availability	<table border="1"> <thead> <tr> <th>Status</th> <th>Availability</th> </tr> </thead> <tbody> <tr> <td>Normal Mode On, Idle Mode Off, Sleep Out</td> <td>Yes</td> </tr> <tr> <td>Normal Mode On, Idle Mode On, Sleep Out</td> <td>Yes</td> </tr> <tr> <td>Partial Mode On, Idle Mode Off, Sleep Out</td> <td>Yes</td> </tr> <tr> <td>Partial Mode On, Idle Mode On, Sleep Out</td> <td>Yes</td> </tr> <tr> <td>Sleep In</td> <td>Yes</td> </tr> </tbody> </table>				Status	Availability	Normal Mode On, Idle Mode Off, Sleep Out	Yes	Normal Mode On, Idle Mode On, Sleep Out	Yes	Partial Mode On, Idle Mode Off, Sleep Out	Yes	Partial Mode On, Idle Mode On, Sleep Out	Yes	Sleep In	Yes
	Status	Availability														
	Normal Mode On, Idle Mode Off, Sleep Out	Yes														
	Normal Mode On, Idle Mode On, Sleep Out	Yes														
	Partial Mode On, Idle Mode Off, Sleep Out	Yes														
	Partial Mode On, Idle Mode On, Sleep Out	Yes														
Sleep In	Yes															
Default	<table border="1"> <thead> <tr> <th>Status</th> <th>Default Value</th> </tr> </thead> <tbody> <tr> <td>Power On Sequence</td> <td>0Bh</td> </tr> <tr> <td>S/W Reset</td> <td>0Bh</td> </tr> <tr> <td>H/W Reset</td> <td>0Bh</td> </tr> </tbody> </table>				Status	Default Value	Power On Sequence	0Bh	S/W Reset	0Bh	H/W Reset	0Bh				
	Status	Default Value														
	Power On Sequence	0Bh														
	S/W Reset	0Bh														
H/W Reset	0Bh															

9.2.12 VDVS (C4h): VDV Set

C4H	VDVS (VDV Set)												
Inst / Para	D/CX	WRX	RDX	D17-8	D7	D6	D5	D4	D3	D2	D1	D0	HEX
VDVS	0	↑	1	-	1	1	0	0	0	1	0	0	(C4h)
1 <sup>st</sup> Parameter	1	↑	1	-	0	0	VDVS5	VDVS4	VDVS3	VDVS2	VDVS1	VDVS0	
Description	<b>VDVS[5:0]: VDV Set.</b>												
	<b>VDVS[5:0]</b>		<b>VDV (V)</b>		<b>VDVS[5:0]</b>		<b>VDV (V)</b>						
	00h		-0.8		20h		0						
	01h		-0.775		21h		0.025						
	02h		-0.75		22h		0.05						
	03h		-0.725		23h		0.075						
	04h		-0.7		24h		0.1						
	05h		-0.675		25h		0.125						
	06h		-0.65		26h		0.15						
	07h		-0.625		27h		0.175						
	08h		-0.6		28h		0.2						
	09h		-0.575		29h		0.225						
	0Ah		-0.55		2Ah		0.25						
	0Bh		-0.525		2Bh		0.275						
	0Ch		-0.5		2Ch		0.3						
	0Dh		-0.475		2Dh		0.325						
	0Eh		-0.45		2Eh		0.35						
	0Fh		-0.425		2Fh		0.375						
	10h		-0.4		30h		0.4						
	11h		-0.375		31h		0.425						
	12h		-0.35		32h		0.45						
	13h		-0.325		33h		0.475						
	14h		-0.3		34h		0.5						
	15h		-0.275		35h		0.525						
	16h		-0.25		36h		0.55						
	17h		-0.225		37h		0.575						
	18h		-0.2		38h		0.6						
	19h		-0.175		39h		0.625						
	1Ah		-0.15		3Ah		0.65						
1Bh		-0.125		3Bh		0.675							
1Ch		-0.1		3Ch		0.7							
1Dh		-0.075		3Dh		0.725							

	<table border="1"> <tr> <td>1Eh</td> <td>-0.05</td> <td>3Eh</td> <td>0.75</td> </tr> <tr> <td>1Fh</td> <td>-0.025</td> <td>3Fh</td> <td>0.775</td> </tr> </table>	1Eh	-0.05	3Eh	0.75	1Fh	-0.025	3Fh	0.775				
1Eh	-0.05	3Eh	0.75										
1Fh	-0.025	3Fh	0.775										
Register Availability	<table border="1"> <thead> <tr> <th>Status</th> <th>Availability</th> </tr> </thead> <tbody> <tr> <td>Normal Mode On, Idle Mode Off, Sleep Out</td> <td>Yes</td> </tr> <tr> <td>Normal Mode On, Idle Mode On, Sleep Out</td> <td>Yes</td> </tr> <tr> <td>Partial Mode On, Idle Mode Off, Sleep Out</td> <td>Yes</td> </tr> <tr> <td>Partial Mode On, Idle Mode On, Sleep Out</td> <td>Yes</td> </tr> <tr> <td>Sleep In</td> <td>Yes</td> </tr> </tbody> </table>	Status	Availability	Normal Mode On, Idle Mode Off, Sleep Out	Yes	Normal Mode On, Idle Mode On, Sleep Out	Yes	Partial Mode On, Idle Mode Off, Sleep Out	Yes	Partial Mode On, Idle Mode On, Sleep Out	Yes	Sleep In	Yes
Status	Availability												
Normal Mode On, Idle Mode Off, Sleep Out	Yes												
Normal Mode On, Idle Mode On, Sleep Out	Yes												
Partial Mode On, Idle Mode Off, Sleep Out	Yes												
Partial Mode On, Idle Mode On, Sleep Out	Yes												
Sleep In	Yes												
Default	<table border="1"> <thead> <tr> <th>Status</th> <th>Default Value</th> </tr> </thead> <tbody> <tr> <td>Power On Sequence</td> <td>20h</td> </tr> <tr> <td>S/W Reset</td> <td>20h</td> </tr> <tr> <td>H/W Reset</td> <td>20h</td> </tr> </tbody> </table>	Status	Default Value	Power On Sequence	20h	S/W Reset	20h	H/W Reset	20h				
Status	Default Value												
Power On Sequence	20h												
S/W Reset	20h												
H/W Reset	20h												

9.2.13 VCMOFSET (C5h): VCOM Offset Set

C5H	VCMOFSET (VCOM Offset Set)												
Inst / Para	D/CX	WRX	RDX	D17-8	D7	D6	D5	D4	D3	D2	D1	D0	HEX
VCMOFSET	0	↑	1	-	1	1	0	0	0	1	0	1	(C5h)
1 <sup>st</sup> Parameter	1	↑	1	-	0	0	VCMOFS5	VCMOFS4	VCMOFS3	VCMOFS2	VCMOFS1	VCMOFS0	
Description	<b>VCOM offset setting:</b>												
	VCMOFS[5:0]		VCOM OFFSET (V)		VCMOFS[5:0]		VCOM OFFSET(V)						
	00h	-0.8	20h	0									
	01h	-0.775	21h	0.025									
	02h	-0.75	22h	0.05									
	03h	-0.725	23h	0.075									
	04h	-0.7	24h	0.1									
	05h	-0.675	25h	0.125									
	06h	-0.65	26h	0.15									
	07h	-0.625	27h	0.175									
	08h	-0.6	28h	0.2									
	09h	-0.575	29h	0.225									
	0Ah	-0.55	2Ah	0.25									
	0Bh	-0.525	2Bh	0.275									
	0Ch	-0.5	2Ch	0.3									
	0Dh	-0.475	2Dh	0.325									
	0Eh	-0.45	2Eh	0.35									
	0Fh	-0.425	2Fh	0.375									
	10h	-0.4	30h	0.4									
	11h	-0.375	31h	0.425									
	12h	-0.35	32h	0.45									
	13h	-0.325	33h	0.475									
	14h	-0.3	34h	0.5									
	15h	-0.275	35h	0.525									
	16h	-0.25	36h	0.55									
	17h	-0.225	37h	0.575									
	18h	-0.2	38h	0.6									
	19h	-0.175	39h	0.625									
1Ah	-0.15	3Ah	0.65										
1Bh	-0.125	3Bh	0.675										
1Ch	-0.1	3Ch	0.7										
1Dh	-0.075	3Dh	0.725										

	<table border="1"> <tr> <td>1Eh</td> <td>-0.05</td> <td>3Eh</td> <td>0.75</td> </tr> <tr> <td>1Fh</td> <td>-0.025</td> <td>3Fh</td> <td>0.775</td> </tr> </table>	1Eh	-0.05	3Eh	0.75	1Fh	-0.025	3Fh	0.775				
1Eh	-0.05	3Eh	0.75										
1Fh	-0.025	3Fh	0.775										
Register Availability	<table border="1"> <thead> <tr> <th>Status</th> <th>Availability</th> </tr> </thead> <tbody> <tr> <td>Normal Mode On, Idle Mode Off, Sleep Out</td> <td>Yes</td> </tr> <tr> <td>Normal Mode On, Idle Mode On, Sleep Out</td> <td>Yes</td> </tr> <tr> <td>Partial Mode On, Idle Mode Off, Sleep Out</td> <td>Yes</td> </tr> <tr> <td>Partial Mode On, Idle Mode On, Sleep Out</td> <td>Yes</td> </tr> <tr> <td>Sleep In</td> <td>Yes</td> </tr> </tbody> </table>	Status	Availability	Normal Mode On, Idle Mode Off, Sleep Out	Yes	Normal Mode On, Idle Mode On, Sleep Out	Yes	Partial Mode On, Idle Mode Off, Sleep Out	Yes	Partial Mode On, Idle Mode On, Sleep Out	Yes	Sleep In	Yes
Status	Availability												
Normal Mode On, Idle Mode Off, Sleep Out	Yes												
Normal Mode On, Idle Mode On, Sleep Out	Yes												
Partial Mode On, Idle Mode Off, Sleep Out	Yes												
Partial Mode On, Idle Mode On, Sleep Out	Yes												
Sleep In	Yes												
Default	<table border="1"> <thead> <tr> <th>Status</th> <th>Default Value</th> </tr> </thead> <tbody> <tr> <td>Power On Sequence</td> <td>20h</td> </tr> <tr> <td>S/W Reset</td> <td>20h</td> </tr> <tr> <td>H/W Reset</td> <td>20h</td> </tr> </tbody> </table>	Status	Default Value	Power On Sequence	20h	S/W Reset	20h	H/W Reset	20h				
Status	Default Value												
Power On Sequence	20h												
S/W Reset	20h												
H/W Reset	20h												

9.2.14 FRCTRL2 (C6h): Frame Rate Control in Normal Mode

C6H	FRCTRL2 (Frame Rate Control in Normal Mode)																																																																																
Inst / Para	D/CX	WRX	RDX	D17-8	D7	D6	D5	D4	D3	D2	D1	D0	HEX																																																																				
FRCTRL2	0	↑	1	-	1	1	0	0	0	1	1	0	(C6h)																																																																				
1 <sup>st</sup> Parameter	1	↑	1	-	NLA2	NLA1	NLA0	RTNA4	RTNA3	RTNA2	RTNA1	RTNA0																																																																					
Description	<p><b>NLA[2 :0]</b> : Inversion selection in normal mode.                      0x00 : dot inversion.                      0x07: column inversion.</p> <p><b>RTNA[4:0]:</b></p> <table border="1"> <thead> <tr> <th>RTNA[4:0]</th> <th>FR in normal mode (Hz)</th> <th>RTNA[4:0]</th> <th>FR in normal mode (Hz)</th> </tr> </thead> <tbody> <tr><td>00h</td><td>119</td><td>10h</td><td>58</td></tr> <tr><td>01h</td><td>111</td><td>11h</td><td>57</td></tr> <tr><td>02h</td><td>105</td><td>12h</td><td>55</td></tr> <tr><td>03h</td><td>99</td><td>13h</td><td>53</td></tr> <tr><td>04h</td><td>94</td><td>14h</td><td>52</td></tr> <tr><td>05h</td><td>90</td><td>15h</td><td>50</td></tr> <tr><td>06h</td><td>86</td><td>16h</td><td>49</td></tr> <tr><td>07h</td><td>82</td><td>17h</td><td>48</td></tr> <tr><td>08h</td><td>78</td><td>18h</td><td>46</td></tr> <tr><td>09h</td><td>75</td><td>19h</td><td>45</td></tr> <tr><td>0Ah</td><td>72</td><td>1Ah</td><td>44</td></tr> <tr><td>0Bh</td><td>69</td><td>1Bh</td><td>43</td></tr> <tr><td>0Ch</td><td>67</td><td>1Ch</td><td>42</td></tr> <tr><td>0Dh</td><td>64</td><td>1Dh</td><td>41</td></tr> <tr><td>0Eh</td><td>62</td><td>1Eh</td><td>40</td></tr> <tr><td>0Fh</td><td>60</td><td>1Fh</td><td>39</td></tr> </tbody> </table>													RTNA[4:0]	FR in normal mode (Hz)	RTNA[4:0]	FR in normal mode (Hz)	00h	119	10h	58	01h	111	11h	57	02h	105	12h	55	03h	99	13h	53	04h	94	14h	52	05h	90	15h	50	06h	86	16h	49	07h	82	17h	48	08h	78	18h	46	09h	75	19h	45	0Ah	72	1Ah	44	0Bh	69	1Bh	43	0Ch	67	1Ch	42	0Dh	64	1Dh	41	0Eh	62	1Eh	40	0Fh	60	1Fh	39
	RTNA[4:0]	FR in normal mode (Hz)	RTNA[4:0]	FR in normal mode (Hz)																																																																													
	00h	119	10h	58																																																																													
	01h	111	11h	57																																																																													
	02h	105	12h	55																																																																													
	03h	99	13h	53																																																																													
	04h	94	14h	52																																																																													
	05h	90	15h	50																																																																													
	06h	86	16h	49																																																																													
	07h	82	17h	48																																																																													
	08h	78	18h	46																																																																													
	09h	75	19h	45																																																																													
	0Ah	72	1Ah	44																																																																													
	0Bh	69	1Bh	43																																																																													
	0Ch	67	1Ch	42																																																																													
	0Dh	64	1Dh	41																																																																													
	0Eh	62	1Eh	40																																																																													
0Fh	60	1Fh	39																																																																														
Register Availability	<table border="1"> <thead> <tr> <th>Status</th> <th>Availability</th> </tr> </thead> <tbody> <tr> <td>Normal Mode On, Idle Mode Off, Sleep Out</td> <td>Yes</td> </tr> <tr> <td>Normal Mode On, Idle Mode On, Sleep Out</td> <td>Yes</td> </tr> <tr> <td>Partial Mode On, Idle Mode Off, Sleep Out</td> <td>Yes</td> </tr> <tr> <td>Partial Mode On, Idle Mode On, Sleep Out</td> <td>Yes</td> </tr> <tr> <td>Sleep In</td> <td>Yes</td> </tr> </tbody> </table>													Status	Availability	Normal Mode On, Idle Mode Off, Sleep Out	Yes	Normal Mode On, Idle Mode On, Sleep Out	Yes	Partial Mode On, Idle Mode Off, Sleep Out	Yes	Partial Mode On, Idle Mode On, Sleep Out	Yes	Sleep In	Yes																																																								
	Status	Availability																																																																															
	Normal Mode On, Idle Mode Off, Sleep Out	Yes																																																																															
	Normal Mode On, Idle Mode On, Sleep Out	Yes																																																																															
	Partial Mode On, Idle Mode Off, Sleep Out	Yes																																																																															
	Partial Mode On, Idle Mode On, Sleep Out	Yes																																																																															
Sleep In	Yes																																																																																

Default	<b>Status</b>	<b>Default Value</b>
	Power On Sequence	0Fh
	S/W Reset	0Fh
	H/W Reset	0Fh



9.2.15 CABCTRL (C7h): CAB Control

C7H	CABCTRL (CABC Control)																								
Inst / Para	D/CX	WRX	RDX	D17-8	D7	D6	D5	D4	D3	D2	D1	D0	HEX												
CABCTRL	0	↑	1	-	1	1	0	0	0	1	1	1	(C7h)												
1 <sup>st</sup> Parameter	1	↑	1	-	0	0	0	0	LEDONREV	DPOFPWM	PWMFIX	PWMPOL													
Description	<p><b>LEDONREV:</b> Reverse the status of LED_ON:                      "0": keep the status of LED_ON.                      "1": reverse the status of LED_ON.</p> <p><b>DPOFPWM:</b> initial state control of LEDPWM.                      "0": The initial state of LEDPWM is low.                      "1": The initial state of LEDPWM is high.</p> <p><b>PWMFIX:</b> LEDPWM fix control.                      "0": LEDPWM control by CABC.                      "1": fix LEDPWM in "ON" status.</p> <p><b>PWMPOL:</b> LEDPWM polarity control.                      "0": polarity high.                      "1": polarity low.</p>																								
Register Availability	<table border="1"> <thead> <tr> <th>Status</th> <th>Availability</th> </tr> </thead> <tbody> <tr> <td>Normal Mode On, Idle Mode Off, Sleep Out</td> <td>Yes</td> </tr> <tr> <td>Normal Mode On, Idle Mode On, Sleep Out</td> <td>Yes</td> </tr> <tr> <td>Partial Mode On, Idle Mode Off, Sleep Out</td> <td>Yes</td> </tr> <tr> <td>Partial Mode On, Idle Mode On, Sleep Out</td> <td>Yes</td> </tr> <tr> <td>Sleep In</td> <td>Yes</td> </tr> </tbody> </table>													Status	Availability	Normal Mode On, Idle Mode Off, Sleep Out	Yes	Normal Mode On, Idle Mode On, Sleep Out	Yes	Partial Mode On, Idle Mode Off, Sleep Out	Yes	Partial Mode On, Idle Mode On, Sleep Out	Yes	Sleep In	Yes
Status	Availability																								
Normal Mode On, Idle Mode Off, Sleep Out	Yes																								
Normal Mode On, Idle Mode On, Sleep Out	Yes																								
Partial Mode On, Idle Mode Off, Sleep Out	Yes																								
Partial Mode On, Idle Mode On, Sleep Out	Yes																								
Sleep In	Yes																								
Default	<table border="1"> <thead> <tr> <th>Status</th> <th>Default Value</th> </tr> </thead> <tbody> <tr> <td>Power On Sequence</td> <td>00h</td> </tr> <tr> <td>S/W Reset</td> <td>00h</td> </tr> <tr> <td>H/W Reset</td> <td>00h</td> </tr> </tbody> </table>													Status	Default Value	Power On Sequence	00h	S/W Reset	00h	H/W Reset	00h				
Status	Default Value																								
Power On Sequence	00h																								
S/W Reset	00h																								
H/W Reset	00h																								

9.2.16 REGSEL1 (C8h): Register Value Selection 1

C8H	REGSEL1 (Register Value Selection 1)																								
Inst / Para	D/CX	WRX	RDX	D17-8	D7	D6	D5	D4	D3	D2	D1	D0	HEX												
REGSEL1	0	↑	1	-	1	1	0	0	1	0	0	0	(C8h)												
Parameter	1	↑	1	-	0	0	0	0	1	0	0	0													
Description	Reserved for testing																								
Register Availability	<table border="1"> <thead> <tr> <th>Status</th> <th>Availability</th> </tr> </thead> <tbody> <tr> <td>Normal Mode On, Idle Mode Off, Sleep Out</td> <td>Yes</td> </tr> <tr> <td>Normal Mode On, Idle Mode On, Sleep Out</td> <td>Yes</td> </tr> <tr> <td>Partial Mode On, Idle Mode Off, Sleep Out</td> <td>Yes</td> </tr> <tr> <td>Partial Mode On, Idle Mode On, Sleep Out</td> <td>Yes</td> </tr> <tr> <td>Sleep In</td> <td>Yes</td> </tr> </tbody> </table>													Status	Availability	Normal Mode On, Idle Mode Off, Sleep Out	Yes	Normal Mode On, Idle Mode On, Sleep Out	Yes	Partial Mode On, Idle Mode Off, Sleep Out	Yes	Partial Mode On, Idle Mode On, Sleep Out	Yes	Sleep In	Yes
Status	Availability																								
Normal Mode On, Idle Mode Off, Sleep Out	Yes																								
Normal Mode On, Idle Mode On, Sleep Out	Yes																								
Partial Mode On, Idle Mode Off, Sleep Out	Yes																								
Partial Mode On, Idle Mode On, Sleep Out	Yes																								
Sleep In	Yes																								
Default	<table border="1"> <thead> <tr> <th>Status</th> <th>Default Value</th> </tr> </thead> <tbody> <tr> <td>Power On Sequence</td> <td>08h</td> </tr> <tr> <td>S/W Reset</td> <td>08h</td> </tr> <tr> <td>H/W Reset</td> <td>08h</td> </tr> </tbody> </table>													Status	Default Value	Power On Sequence	08h	S/W Reset	08h	H/W Reset	08h				
Status	Default Value																								
Power On Sequence	08h																								
S/W Reset	08h																								
H/W Reset	08h																								

9.2.17 REGSEL2 (Cah): Register Value Selection 2

CAH	REGSEL2 (Register Value Selection 2)																								
Inst / Para	D/CX	WRX	RDX	D17-8	D7	D6	D5	D4	D3	D2	D1	D0	HEX												
REGSEL2	0	↑	1	-	1	1	0	0	1	0	1	0	(Cah)												
Parameter	1	↑	1	-	0	0	0	0	1	1	1	1													
Description	Reserved for testing																								
Register Availability	<table border="1"> <thead> <tr> <th>Status</th> <th>Availability</th> </tr> </thead> <tbody> <tr> <td>Normal Mode On, Idle Mode Off, Sleep Out</td> <td>Yes</td> </tr> <tr> <td>Normal Mode On, Idle Mode On, Sleep Out</td> <td>Yes</td> </tr> <tr> <td>Partial Mode On, Idle Mode Off, Sleep Out</td> <td>Yes</td> </tr> <tr> <td>Partial Mode On, Idle Mode On, Sleep Out</td> <td>Yes</td> </tr> <tr> <td>Sleep In</td> <td>Yes</td> </tr> </tbody> </table>													Status	Availability	Normal Mode On, Idle Mode Off, Sleep Out	Yes	Normal Mode On, Idle Mode On, Sleep Out	Yes	Partial Mode On, Idle Mode Off, Sleep Out	Yes	Partial Mode On, Idle Mode On, Sleep Out	Yes	Sleep In	Yes
Status	Availability																								
Normal Mode On, Idle Mode Off, Sleep Out	Yes																								
Normal Mode On, Idle Mode On, Sleep Out	Yes																								
Partial Mode On, Idle Mode Off, Sleep Out	Yes																								
Partial Mode On, Idle Mode On, Sleep Out	Yes																								
Sleep In	Yes																								
Default	<table border="1"> <thead> <tr> <th>Status</th> <th>Default Value</th> </tr> </thead> <tbody> <tr> <td>Power On Sequence</td> <td>0Fh</td> </tr> <tr> <td>S/W Reset</td> <td>0Fh</td> </tr> <tr> <td>H/W Reset</td> <td>0Fh</td> </tr> </tbody> </table>													Status	Default Value	Power On Sequence	0Fh	S/W Reset	0Fh	H/W Reset	0Fh				
Status	Default Value																								
Power On Sequence	0Fh																								
S/W Reset	0Fh																								
H/W Reset	0Fh																								

9.2.18 PWCTRL1 (D0h): Power Control 1

D0H	PWCTRL (Power Control)																							
Inst / Para	D/CX	WRX	RDX	D17-8	D7	D6	D5	D4	D3	D2	D1	D0	HEX											
PWCTRL	0	↑	1	-	1	1	0	1	0	0	0	0	(D0h)											
1 <sup>st</sup> Parameter	1	↑	1	-	1	0	1	0	0	1	0	0												
2 <sup>nd</sup> Parameter	1	↑	1	-	AVDD1	AVDD0	AVCL1	AVCL0	0	0	VDS1	VDS0												
Description	<b>AVDD[1:0]:</b>																							
	<b>AVDD[1:0]</b>						<b>AVDD (V)</b>																	
	00h						6.2																	
	01h						6.4																	
	02h						6.6																	
	03h						6.8																	
	<b>AVCL[1:0]:</b>																							
	<b>AVCL[1:0]</b>						<b>AVCL (V)</b>																	
	00h						-4.4																	
	01h						-4.6																	
	02h						-4.8																	
	03h						-5.0																	
	<b>VDS[1:0]:</b>																							
	<b>VDS[1:0]</b>						<b>VDDS (V)</b>																	
	00h						2.19																	
01h						2.3																		
02h						2.4																		
03h						2.51																		
VDDS: Power of source OP																								
Register Availability	<table border="1"> <thead> <tr> <th>Status</th> <th>Availability</th> </tr> </thead> <tbody> <tr> <td>Normal Mode On, Idle Mode Off, Sleep Out</td> <td>Yes</td> </tr> <tr> <td>Normal Mode On, Idle Mode On, Sleep Out</td> <td>Yes</td> </tr> <tr> <td>Partial Mode On, Idle Mode Off, Sleep Out</td> <td>Yes</td> </tr> <tr> <td>Partial Mode On, Idle Mode On, Sleep Out</td> <td>Yes</td> </tr> <tr> <td>Sleep In</td> <td>Yes</td> </tr> </tbody> </table>												Status	Availability	Normal Mode On, Idle Mode Off, Sleep Out	Yes	Normal Mode On, Idle Mode On, Sleep Out	Yes	Partial Mode On, Idle Mode Off, Sleep Out	Yes	Partial Mode On, Idle Mode On, Sleep Out	Yes	Sleep In	Yes
	Status	Availability																						
	Normal Mode On, Idle Mode Off, Sleep Out	Yes																						
	Normal Mode On, Idle Mode On, Sleep Out	Yes																						
	Partial Mode On, Idle Mode Off, Sleep Out	Yes																						
	Partial Mode On, Idle Mode On, Sleep Out	Yes																						
Sleep In	Yes																							

Default	<b>Status</b>	<b>Default Value</b>
	Power On Sequence	A4h/A1h
	S/W Reset	A4h/A1h
	H/W Reset	A4h/A1h

9.2.19 VAPVANEN (D2h): Enable VAP/VAN signal output

D2H	VAPVANEN (Enable VAP/VAN signal output)																								
Inst / Para	D/CX	WRX	RDX	D17-8	D7	D6	D5	D4	D3	D2	D1	D0	HEX												
VAPVANEN	0	↑	1	-	1	1	0	1	0	0	1	0	(D2h)												
Parameter	1	↑	1	-	0	1	0	0	1	1	0	0													
Description	Enable VAP/VAN signal output																								
Register Availability	<table border="1"> <thead> <tr> <th>Status</th> <th>Availability</th> </tr> </thead> <tbody> <tr> <td>Normal Mode On, Idle Mode Off, Sleep Out</td> <td>Yes</td> </tr> <tr> <td>Normal Mode On, Idle Mode On, Sleep Out</td> <td>Yes</td> </tr> <tr> <td>Partial Mode On, Idle Mode Off, Sleep Out</td> <td>Yes</td> </tr> <tr> <td>Partial Mode On, Idle Mode On, Sleep Out</td> <td>Yes</td> </tr> <tr> <td>Sleep In</td> <td>Yes</td> </tr> </tbody> </table>													Status	Availability	Normal Mode On, Idle Mode Off, Sleep Out	Yes	Normal Mode On, Idle Mode On, Sleep Out	Yes	Partial Mode On, Idle Mode Off, Sleep Out	Yes	Partial Mode On, Idle Mode On, Sleep Out	Yes	Sleep In	Yes
Status	Availability																								
Normal Mode On, Idle Mode Off, Sleep Out	Yes																								
Normal Mode On, Idle Mode On, Sleep Out	Yes																								
Partial Mode On, Idle Mode Off, Sleep Out	Yes																								
Partial Mode On, Idle Mode On, Sleep Out	Yes																								
Sleep In	Yes																								
Default	<table border="1"> <thead> <tr> <th>Status</th> <th>Default Value</th> </tr> </thead> <tbody> <tr> <td>Power On Sequence</td> <td>00h</td> </tr> <tr> <td>S/W Reset</td> <td>00h</td> </tr> <tr> <td>H/W Reset</td> <td>00h</td> </tr> </tbody> </table>													Status	Default Value	Power On Sequence	00h	S/W Reset	00h	H/W Reset	00h				
Status	Default Value																								
Power On Sequence	00h																								
S/W Reset	00h																								
H/W Reset	00h																								

9.2.20 PVGAMCTRL (E0h): Positive Voltage Gamma Control

E0H	PVGAMCTRL (Positive Voltage Gamma Control)												
Inst / Para	D/CX	WRX	RDX	D17-8	D7	D6	D5	D4	D3	D2	D1	D0	HEX
PVGAMCTRL	0	↑	1	-	1	1	1	0	0	0	0	0	(E0h)
1 <sup>st</sup> Parameter	1	↑	1	-	V63P3	V63P2	V63P1	V63P0	V0P3	V0P2	V0P1	V0P0	
2 <sup>nd</sup> Parameter	1	↑	1	-	0	0	V1P5	V1P4	V1P3	V1P2	V1P1	V1P0	
3 <sup>rd</sup> Parameter	1	↑	1	-	0	0	V2P5	V2P4	V2P3	V2P2	V2P1	V2P0	
4 <sup>th</sup> Parameter	1	↑	1	-	0	0	0	V4P4	V4P3	V4P2	V4P1	V4P0	
5 <sup>th</sup> Parameter	1	↑	1	-	0	0	0	V6P4	V6P3	V6P2	V6P1	V6P0	
6 <sup>th</sup> Parameter	1	↑	1	-	0	0	J0P1	J0P0	V13P3	V13P2	V13P1	V13P0	
7 <sup>th</sup> Parameter	1	↑	1	-	0	V20P6	V20P5	V20P4	V20P3	V20P2	V20P1	V20P0	
8 <sup>th</sup> Parameter	1	↑	1	-	0	V36P2	V36P1	V36P0	0	V27P2	V27P1	V27P0	
9 <sup>th</sup> Parameter	1	↑	1	-	0	V43P6	V43P5	V43P4	V43P3	V43P2	V43P1	V43P0	
10 <sup>th</sup> Parameter	1	↑	1	-	0	0	J1P1	J1P0	V50P3	V50P2	V50P1	V50P0	
11 <sup>th</sup> Parameter	1	↑	1	-	0	0	0	V57P4	V57P3	V57P2	V57P1	V57P0	
12 <sup>th</sup> Parameter	1	↑	1	-	0	0	0	V59P4	V59P3	V59P2	V59P1	V59P0	
13 <sup>th</sup> Parameter	1	↑	1	-	0	0	V61P5	V61P4	V61P3	V61P2	V61P1	V61P0	
14 <sup>th</sup> Parameter	1	↑	1	-	0	0	V62P5	V62P4	V62P3	V62P2	V62P1	V62P0	
Description	Please refer to 8.19.												
	Default value:												
		Value(hex)											
	VP0[3:0]	0											
	VP1[5:0]	2C											
	VP2[5:0]	2E											
	VP4[4:0]	15											
	VP6[4:0]	10											
	VP13[3:0]	9											
	VP20[6:0]	48											
	VP27[2:0]	3											
	VP36[2:0]	3											
	VP43[6:0]	53											
	VP50[3:0]	B											
	VP57[4:0]	19											
VP59[4:0]	18												
VP61[5:0]	20												

	VP63[3:0]	7													
	JP0[1:0]	0													
	JP1[1:0]	0													
Register Availability	<table border="1"> <thead> <tr> <th>Status</th> <th>Availability</th> </tr> </thead> <tbody> <tr> <td>Normal Mode On, Idle Mode Off, Sleep Out</td> <td>Yes</td> </tr> <tr> <td>Normal Mode On, Idle Mode On, Sleep Out</td> <td>Yes</td> </tr> <tr> <td>Partial Mode On, Idle Mode Off, Sleep Out</td> <td>Yes</td> </tr> <tr> <td>Partial Mode On, Idle Mode On, Sleep Out</td> <td>Yes</td> </tr> <tr> <td>Sleep In</td> <td>Yes</td> </tr> </tbody> </table>		Status	Availability	Normal Mode On, Idle Mode Off, Sleep Out	Yes	Normal Mode On, Idle Mode On, Sleep Out	Yes	Partial Mode On, Idle Mode Off, Sleep Out	Yes	Partial Mode On, Idle Mode On, Sleep Out	Yes	Sleep In	Yes	
	Status	Availability													
	Normal Mode On, Idle Mode Off, Sleep Out	Yes													
	Normal Mode On, Idle Mode On, Sleep Out	Yes													
	Partial Mode On, Idle Mode Off, Sleep Out	Yes													
	Partial Mode On, Idle Mode On, Sleep Out	Yes													
Sleep In	Yes														
Default	<table border="1"> <thead> <tr> <th>Status</th> <th>Default Value</th> </tr> </thead> <tbody> <tr> <td>Power On Sequence</td> <td>Refer to description</td> </tr> <tr> <td>S/W Reset</td> <td>Refer to description</td> </tr> <tr> <td>H/W Reset</td> <td>Refer to description</td> </tr> </tbody> </table>		Status	Default Value	Power On Sequence	Refer to description	S/W Reset	Refer to description	H/W Reset	Refer to description					
	Status	Default Value													
	Power On Sequence	Refer to description													
	S/W Reset	Refer to description													
H/W Reset	Refer to description														



9.2.21 NVGAMCTRL (E1h): Negative Voltage Gamma Control

E1H	NVGAMCTRL (Negative Voltage Gamma Control)												
Inst / Para	D/CX	WRX	RDX	D17-8	D7	D6	D5	D4	D3	D2	D1	D0	HEX
NVGAMCTRL	0	↑	1	-	1	1	1	0	0	0	0	1	(E1h)
1 <sup>st</sup> Parameter	1	↑	1	-	V63N3	V63N2	V63N1	V63N0	V0N3	V0N2	V0N1	V0N0	
2 <sup>nd</sup> Parameter	1	↑	1	-	0	0	V1N5	V1N4	V1N3	V1N2	V1N1	V1N0	
3 <sup>rd</sup> Parameter	1	↑	1	-	0	0	V2N5	V2N4	V2N3	V2N2	V2N1	V2N0	
4 <sup>th</sup> Parameter	1	↑	1	-	0	0	0	V4N4	V4N3	V4N2	V4N1	V4N0	
5 <sup>th</sup> Parameter	1	↑	1	-	0	0	0	V6N4	V6N3	V6N2	V6N1	V6N0	
6 <sup>th</sup> Parameter	1	↑	1	-	0	0	J0N1	J0N0	V13N3	V13N2	V13N1	V13N0	
7 <sup>th</sup> Parameter	1	↑	1	-	0	V20N6	V20N5	V20N4	V20N3	V20N2	V20N1	V20N0	
8 <sup>th</sup> Parameter	1	↑	1	-	0	V36N2	V36N1	V36N0	0	V27N2	V27N1	V27N0	
9 <sup>th</sup> Parameter	1	↑	1	-	0	V43N6	V43N5	V43N4	V43N3	V43N2	V43N1	V43N0	
10 <sup>th</sup> Parameter	1	↑	1	-	0	0	J1N1	J1N0	V50N3	V50N2	V50N1	V50N0	
11 <sup>th</sup> Parameter	1	↑	1	-	0	0	0	V57N4	V57N3	V57N2	V57N1	V57N0	
12 <sup>th</sup> Parameter	1	↑	1	-	0	0	0	V59N4	V59N3	V59N2	V59N1	V59N0	
13 <sup>th</sup> Parameter	1	↑	1	-	0	0	V61N5	V61N4	V61N3	V61N2	V61N1	V61N0	
14 <sup>th</sup> Parameter	1	↑	1	-	0	0	V62N5	V62N4	V62N3	V62N2	V62N1	V62N0	
Description	Please refer to 8.19.												
	Default value:												
													Value(hex)
	VN0[3:0]												0
	VN1[5:0]												2C
	VN2[5:0]												2E
	VN4[4:0]												15
	VN6[4:0]												10
	VN13[3:0]												9
	VN20[6:0]												48
	VN27[2:0]												3
	VN36[2:0]												3
	VN43[6:0]												53
	VN50[3:0]												B
	VN57[4:0]												19
VN59[4:0]												18	
VN61[5:0]												20	

	VN63[3:0]	7													
	JN0[1:0]	0													
	JN1[1:0]	0													
Register Availability	<table border="1"> <thead> <tr> <th>Status</th> <th>Availability</th> </tr> </thead> <tbody> <tr> <td>Normal Mode On, Idle Mode Off, Sleep Out</td> <td>Yes</td> </tr> <tr> <td>Normal Mode On, Idle Mode On, Sleep Out</td> <td>Yes</td> </tr> <tr> <td>Partial Mode On, Idle Mode Off, Sleep Out</td> <td>Yes</td> </tr> <tr> <td>Partial Mode On, Idle Mode On, Sleep Out</td> <td>Yes</td> </tr> <tr> <td>Sleep In</td> <td>Yes</td> </tr> </tbody> </table>		Status	Availability	Normal Mode On, Idle Mode Off, Sleep Out	Yes	Normal Mode On, Idle Mode On, Sleep Out	Yes	Partial Mode On, Idle Mode Off, Sleep Out	Yes	Partial Mode On, Idle Mode On, Sleep Out	Yes	Sleep In	Yes	
	Status	Availability													
	Normal Mode On, Idle Mode Off, Sleep Out	Yes													
	Normal Mode On, Idle Mode On, Sleep Out	Yes													
	Partial Mode On, Idle Mode Off, Sleep Out	Yes													
	Partial Mode On, Idle Mode On, Sleep Out	Yes													
Sleep In	Yes														
Default	<table border="1"> <thead> <tr> <th>Status</th> <th>Default Value</th> </tr> </thead> <tbody> <tr> <td>Power On Sequence</td> <td>Refer to description</td> </tr> <tr> <td>S/W Reset</td> <td>Refer to description</td> </tr> <tr> <td>H/W Reset</td> <td>Refer to description</td> </tr> </tbody> </table>		Status	Default Value	Power On Sequence	Refer to description	S/W Reset	Refer to description	H/W Reset	Refer to description					
	Status	Default Value													
	Power On Sequence	Refer to description													
	S/W Reset	Refer to description													
H/W Reset	Refer to description														

9.2.22 DGMLUTR (E2h): Digital Gamma Look-up Table for Red

E2H	DGMLUTR (Digital Gamma Look-up Table for Red)																							
Inst / Para	D/CX	WRX	RDX	D17-8	D7	D6	D5	D4	D3	D2	D1	D0	HEX											
DGMLUTR	0	↑	1	-	1	1	1	0	0	0	1	0	(E2h)											
1 <sup>st</sup> Parameter	1	↑	1	-	DGM_LUT_R00[7:0]																			
2 <sup>nd</sup> Parameter	1	↑	1	-	DGM_LUT_R01[7:0]																			
⋮	1	↑	1	-	⋮																			
31 <sup>th</sup> Parameter	1	↑	1	-	DGM_LUT_R30[7:0]																			
32 <sup>th</sup> Parameter	1	↑	1	-	DGM_LUT_R31[7:0]																			
⋮	1	↑	1	-	⋮																			
63 <sup>th</sup> Parameter	1	↑	1	-	DGM_LUT_R62[7:0]																			
64 <sup>th</sup> Parameter	1	↑	1	-	DGM_LUT_R63[7:0]																			
Description	Please refer to 8.20.																							
	Default value:																							
		Value(hex)																						
	DGM_LUT_R00[7:0]	00h																						
	DGM_LUT_R01[7:0]	04h																						
	⋮	⋮																						
	DGM_LUT_R30[7:0]	78h																						
	DGM_LUT_R31[7:0]	7Ch																						
	⋮	⋮																						
	DGM_LUT_R62[7:0]	F8h																						
DGM_LUT_R63[7:0]	FCh																							
Register Availability	<table border="1"> <thead> <tr> <th>Status</th> <th>Availability</th> </tr> </thead> <tbody> <tr> <td>Normal Mode On, Idle Mode Off, Sleep Out</td> <td>Yes</td> </tr> <tr> <td>Normal Mode On, Idle Mode On, Sleep Out</td> <td>Yes</td> </tr> <tr> <td>Partial Mode On, Idle Mode Off, Sleep Out</td> <td>Yes</td> </tr> <tr> <td>Partial Mode On, Idle Mode On, Sleep Out</td> <td>Yes</td> </tr> <tr> <td>Sleep In</td> <td>Yes</td> </tr> </tbody> </table>												Status	Availability	Normal Mode On, Idle Mode Off, Sleep Out	Yes	Normal Mode On, Idle Mode On, Sleep Out	Yes	Partial Mode On, Idle Mode Off, Sleep Out	Yes	Partial Mode On, Idle Mode On, Sleep Out	Yes	Sleep In	Yes
	Status	Availability																						
	Normal Mode On, Idle Mode Off, Sleep Out	Yes																						
	Normal Mode On, Idle Mode On, Sleep Out	Yes																						
	Partial Mode On, Idle Mode Off, Sleep Out	Yes																						
	Partial Mode On, Idle Mode On, Sleep Out	Yes																						
Sleep In	Yes																							
Default	<table border="1"> <thead> <tr> <th>Status</th> <th>Default Value</th> </tr> </thead> <tbody> <tr> <td>Power On Sequence</td> <td>Refer to description</td> </tr> <tr> <td>S/W Reset</td> <td>Refer to description</td> </tr> </tbody> </table>												Status	Default Value	Power On Sequence	Refer to description	S/W Reset	Refer to description						
	Status	Default Value																						
	Power On Sequence	Refer to description																						
S/W Reset	Refer to description																							

	H/W Reset	Refer to description	
--	-----------	----------------------	--

9.2.23 DGMLUTB (E3h): Digital Gamma Look-up Table for Blue

E3H	DGMLUTB (Digital Gamma Look-up Table for Blue)																							
Inst / Para	D/CX	WRX	RDX	D17-8	D7	D6	D5	D4	D3	D2	D1	D0	HEX											
DGMLUTB	0	↑	1	-	1	1	1	0	0	0	1	1	(E3h)											
1 <sup>st</sup> Parameter	1	↑	1	-	DGM_LUT_B00[7:0]																			
2 <sup>nd</sup> Parameter	1	↑	1	-	DGM_LUT_B01[7:0]																			
⋮	1	↑	1	-	⋮																			
31 <sup>th</sup> Parameter	1	↑	1	-	DGM_LUT_B30[7:0]																			
32 <sup>th</sup> Parameter	1	↑	1	-	DGM_LUT_B31[7:0]																			
⋮	1	↑	1	-	⋮																			
63 <sup>th</sup> Parameter	1	↑	1	-	DGM_LUT_B62[7:0]																			
64 <sup>th</sup> Parameter	1	↑	1	-	DGM_LUT_B63[7:0]																			
Description	Please refer to 8.20.																							
	Default value:																							
		Value(hex)																						
	DGM_LUT_B00[7:0]	00h																						
	DGM_LUT_B01[7:0]	04h																						
	⋮	⋮																						
	DGM_LUT_B30[7:0]	78h																						
	DGM_LUT_B31[7:0]	7Ch																						
	⋮	⋮																						
	DGM_LUT_B62[7:0]	F8h																						
DGM_LUT_B63[7:0]	FCh																							
Register Availability	<table border="1"> <thead> <tr> <th>Status</th> <th>Availability</th> </tr> </thead> <tbody> <tr> <td>Normal Mode On, Idle Mode Off, Sleep Out</td> <td>Yes</td> </tr> <tr> <td>Normal Mode On, Idle Mode On, Sleep Out</td> <td>Yes</td> </tr> <tr> <td>Partial Mode On, Idle Mode Off, Sleep Out</td> <td>Yes</td> </tr> <tr> <td>Partial Mode On, Idle Mode On, Sleep Out</td> <td>Yes</td> </tr> <tr> <td>Sleep In</td> <td>Yes</td> </tr> </tbody> </table>												Status	Availability	Normal Mode On, Idle Mode Off, Sleep Out	Yes	Normal Mode On, Idle Mode On, Sleep Out	Yes	Partial Mode On, Idle Mode Off, Sleep Out	Yes	Partial Mode On, Idle Mode On, Sleep Out	Yes	Sleep In	Yes
	Status	Availability																						
	Normal Mode On, Idle Mode Off, Sleep Out	Yes																						
	Normal Mode On, Idle Mode On, Sleep Out	Yes																						
	Partial Mode On, Idle Mode Off, Sleep Out	Yes																						
	Partial Mode On, Idle Mode On, Sleep Out	Yes																						
Sleep In	Yes																							
Default	<table border="1"> <thead> <tr> <th>Status</th> <th>Default Value</th> </tr> </thead> <tbody> <tr> <td>Power On Sequence</td> <td>Refer to description</td> </tr> <tr> <td>S/W Reset</td> <td>Refer to description</td> </tr> </tbody> </table>												Status	Default Value	Power On Sequence	Refer to description	S/W Reset	Refer to description						
	Status	Default Value																						
	Power On Sequence	Refer to description																						
S/W Reset	Refer to description																							

	H/W Reset	Refer to description	
--	-----------	----------------------	--

9.2.24 GATECTRL (E4h): Gate Control

E4H	GATECTRL (Gate Control)																							
Inst / Para	D/CX	WRX	RDX	D17-8	D7	D6	D5	D4	D3	D2	D1	D0	HEX											
GATECTRL	0	↑	1	-	1	1	1	0	0	1	0	0	(E4h)											
1 <sup>st</sup> Parameter	1	↑	1	-	0	0	NL5	NL4	NL3	NL2	NL1	NL0												
2 <sup>nd</sup> Parameter	1	↑	1	-	0	0	SCN5	SCN4	SCN3	SCN2	SCN1	SCN0												
3 <sup>rd</sup> Parameter	1	↑	1	-	0	0	0	1	0	SM	0	GS												
Description	<b>NL[5:0]:</b> Set the number of gate line.																							
	NL[5:0]							The number of gate line																
	0x00							8 gate line																
	0x01							16 gate line																
	0x02							24 gate line																
	⋮							⋮																
	0x27							320 gate line																
	<b>SCN[5:0]:</b> set the first scan line																							
	SCN[5:0]							The first scan line																
	0x00							Gate 0																
0x01							Gate 1																	
⋮							⋮																	
0x3F							Gate 319																	
<b>SM:</b> Gate interlace mode selection SM="0": Gate scan using interlace mode. SM="1": Gate scan using non-interlace mode.																								
<b>GS:</b> Gate scan direction GS="0": Gate scan direction is 0→319 GS="1": Gate scan direction is 319→0																								
Register Availability	<table border="1"> <thead> <tr> <th>Status</th> <th>Availability</th> </tr> </thead> <tbody> <tr> <td>Normal Mode On, Idle Mode Off, Sleep Out</td> <td>Yes</td> </tr> <tr> <td>Normal Mode On, Idle Mode On, Sleep Out</td> <td>Yes</td> </tr> <tr> <td>Partial Mode On, Idle Mode Off, Sleep Out</td> <td>Yes</td> </tr> <tr> <td>Partial Mode On, Idle Mode On, Sleep Out</td> <td>Yes</td> </tr> <tr> <td>Sleep In</td> <td>Yes</td> </tr> </tbody> </table>												Status	Availability	Normal Mode On, Idle Mode Off, Sleep Out	Yes	Normal Mode On, Idle Mode On, Sleep Out	Yes	Partial Mode On, Idle Mode Off, Sleep Out	Yes	Partial Mode On, Idle Mode On, Sleep Out	Yes	Sleep In	Yes
	Status	Availability																						
	Normal Mode On, Idle Mode Off, Sleep Out	Yes																						
	Normal Mode On, Idle Mode On, Sleep Out	Yes																						
	Partial Mode On, Idle Mode Off, Sleep Out	Yes																						
	Partial Mode On, Idle Mode On, Sleep Out	Yes																						
Sleep In	Yes																							

Default	<b>Status</b>	<b>Default Value</b>
	Power On Sequence	27h/00h/10h
	S/W Reset	27h/00h/10h
	H/W Reset	27h/00h/10h



9.2.25 SPI2EN (E7h): SPI2 Enable

E7H	SPI2EN (SPI2 Enable)																								
Inst / Para	D/CX	WRX	RDX	D17-8	D7	D6	D5	D4	D3	D2	D1	D0	HEX												
SPI2EN	0	↑	1	-	1	1	1	0	0	1	1	1	(E7h)												
Parameter	1	↑	1	-	0	0	0	SPI2EN	0	0	0	0													
Description	<p><b>SPI2EN:</b> 2 data lane enable control.                      "0": disable 2 data lane mode.                      "1": enable 2 data lane mode</p>																								
Register Availability	<table border="1"> <thead> <tr> <th>Status</th> <th>Availability</th> </tr> </thead> <tbody> <tr> <td>Normal Mode On, Idle Mode Off, Sleep Out</td> <td>Yes</td> </tr> <tr> <td>Normal Mode On, Idle Mode On, Sleep Out</td> <td>Yes</td> </tr> <tr> <td>Partial Mode On, Idle Mode Off, Sleep Out</td> <td>Yes</td> </tr> <tr> <td>Partial Mode On, Idle Mode On, Sleep Out</td> <td>Yes</td> </tr> <tr> <td>Sleep In</td> <td>Yes</td> </tr> </tbody> </table>													Status	Availability	Normal Mode On, Idle Mode Off, Sleep Out	Yes	Normal Mode On, Idle Mode On, Sleep Out	Yes	Partial Mode On, Idle Mode Off, Sleep Out	Yes	Partial Mode On, Idle Mode On, Sleep Out	Yes	Sleep In	Yes
Status	Availability																								
Normal Mode On, Idle Mode Off, Sleep Out	Yes																								
Normal Mode On, Idle Mode On, Sleep Out	Yes																								
Partial Mode On, Idle Mode Off, Sleep Out	Yes																								
Partial Mode On, Idle Mode On, Sleep Out	Yes																								
Sleep In	Yes																								
Default	<table border="1"> <thead> <tr> <th>Status</th> <th>Default Value</th> </tr> </thead> <tbody> <tr> <td>Power On Sequence</td> <td>00h</td> </tr> <tr> <td>S/W Reset</td> <td>00h</td> </tr> <tr> <td>H/W Reset</td> <td>00h</td> </tr> </tbody> </table>													Status	Default Value	Power On Sequence	00h	S/W Reset	00h	H/W Reset	00h				
Status	Default Value																								
Power On Sequence	00h																								
S/W Reset	00h																								
H/W Reset	00h																								

9.2.26 PWCTRL2 (E8h): Power Control 2

E8H	PWCTRL2 (Power Control 2)																								
Inst / Para	D/CX	WRX	RDX	D17-8	D7	D6	D5	D4	D3	D2	D1	D0	HEX												
PWCTRL2	0	↑	1	-	1	1	1	0	1	0	0	0	(E8h)												
Parameter	1	↑	1	-	1	0	SBCLK1	SBCLK0	0	0	STP14CK1	STP14CK0													
Description	<b>SBCLK[1:0]:Source booster clock selection</b>																								
	<b>SBCLK[1:0]</b>																								
	00h SBCLK DIV 2																								
	01h SBCLK DIV 3																								
	02h SBCLK DIV 4																								
	03h SBCLK DIV 6																								
	<b>STP14CK[1:0]:STP14(AVDD/AVCL) booster clock selection</b>																								
	<b>STP14CK[1:0]</b>																								
	00h BCLK DIV 2																								
	01h BCLK DIV 3																								
02h BCLK DIV 4																									
03h BCLK DIV 6																									
Register Availability	<table border="1"> <thead> <tr> <th>Status</th> <th>Availability</th> </tr> </thead> <tbody> <tr> <td>Normal Mode On, Idle Mode Off, Sleep Out</td> <td>Yes</td> </tr> <tr> <td>Normal Mode On, Idle Mode On, Sleep Out</td> <td>Yes</td> </tr> <tr> <td>Partial Mode On, Idle Mode Off, Sleep Out</td> <td>Yes</td> </tr> <tr> <td>Partial Mode On, Idle Mode On, Sleep Out</td> <td>Yes</td> </tr> <tr> <td>Sleep In</td> <td>Yes</td> </tr> </tbody> </table>													Status	Availability	Normal Mode On, Idle Mode Off, Sleep Out	Yes	Normal Mode On, Idle Mode On, Sleep Out	Yes	Partial Mode On, Idle Mode Off, Sleep Out	Yes	Partial Mode On, Idle Mode On, Sleep Out	Yes	Sleep In	Yes
	Status	Availability																							
	Normal Mode On, Idle Mode Off, Sleep Out	Yes																							
	Normal Mode On, Idle Mode On, Sleep Out	Yes																							
	Partial Mode On, Idle Mode Off, Sleep Out	Yes																							
	Partial Mode On, Idle Mode On, Sleep Out	Yes																							
Sleep In	Yes																								
Default	<table border="1"> <thead> <tr> <th>Status</th> <th>Default Value</th> </tr> </thead> <tbody> <tr> <td>Power On Sequence</td> <td>93h</td> </tr> <tr> <td>S/W Reset</td> <td>93h</td> </tr> <tr> <td>H/W Reset</td> <td>93h</td> </tr> </tbody> </table>													Status	Default Value	Power On Sequence	93h	S/W Reset	93h	H/W Reset	93h				
	Status	Default Value																							
	Power On Sequence	93h																							
	S/W Reset	93h																							
H/W Reset	93h																								

9.2.27 EQCTRL (E9h): Equalize time control

E9H	EQCTRL (Equalize time Control)																								
Inst / Para	D/CX	WRX	RDX	D17-8	D7	D6	D5	D4	D3	D2	D1	D0	HEX												
EQCTRL	0	↑	1	-	1	1	1	0	1	0	0	1	(E9h)												
1 <sup>st</sup> Parameter	1	↑	1	-	0	0	0	SEQ4	SEQ3	SEQ2	SEQ1	SEQ0													
2 <sup>nd</sup> Parameter	1	↑	1	-	0	0	0	SPRET4	SPRET3	SPRET2	SPRET1	SPRET0													
3 <sup>rd</sup> Parameter	1	↑	1	-	0	0	0	0	GEQ3	GEQ2	GEQ1	GEQ0													
Description	<p><b>SEQ[4:0]: Source Equalize Time</b> Source equalize time: SEQ[4:0]*400ns, SEQ[4:0]=0x01~0x1f</p> <p><b>SPRET[4:0]: Source Pre-drive Time</b> Source pre-drive time: SPRET[4:0]*400ns, SPRET[4:0]=0x01~0x1f</p> <p><b>GEQ[3:0]: Gate Equalize Time</b> Gate equalize time: GEQ[3:0]*400ns, GEQ[3:0]=0x00~0x0f</p>																								
Register Availability	<table border="1"> <thead> <tr> <th>Status</th> <th>Availability</th> </tr> </thead> <tbody> <tr> <td>Normal Mode On, Idle Mode Off, Sleep Out</td> <td>Yes</td> </tr> <tr> <td>Normal Mode On, Idle Mode On, Sleep Out</td> <td>Yes</td> </tr> <tr> <td>Partial Mode On, Idle Mode Off, Sleep Out</td> <td>Yes</td> </tr> <tr> <td>Partial Mode On, Idle Mode On, Sleep Out</td> <td>Yes</td> </tr> <tr> <td>Sleep In</td> <td>Yes</td> </tr> </tbody> </table>													Status	Availability	Normal Mode On, Idle Mode Off, Sleep Out	Yes	Normal Mode On, Idle Mode On, Sleep Out	Yes	Partial Mode On, Idle Mode Off, Sleep Out	Yes	Partial Mode On, Idle Mode On, Sleep Out	Yes	Sleep In	Yes
Status	Availability																								
Normal Mode On, Idle Mode Off, Sleep Out	Yes																								
Normal Mode On, Idle Mode On, Sleep Out	Yes																								
Partial Mode On, Idle Mode Off, Sleep Out	Yes																								
Partial Mode On, Idle Mode On, Sleep Out	Yes																								
Sleep In	Yes																								
Default	<table border="1"> <thead> <tr> <th>Status</th> <th>Default Value</th> </tr> </thead> <tbody> <tr> <td>Power On Sequence</td> <td>11h/11h/08h</td> </tr> <tr> <td>S/W Reset</td> <td>11h/11h/08h</td> </tr> <tr> <td>H/W Reset</td> <td>11h/11h/08h</td> </tr> </tbody> </table>													Status	Default Value	Power On Sequence	11h/11h/08h	S/W Reset	11h/11h/08h	H/W Reset	11h/11h/08h				
Status	Default Value																								
Power On Sequence	11h/11h/08h																								
S/W Reset	11h/11h/08h																								
H/W Reset	11h/11h/08h																								

9.2.28 PROMCTRL (ECh): Program Mode Control

ECH	PROMCTRL (Program Mode Control)																								
Inst / Para	D/CX	WRX	RDX	D17-8	D7	D6	D5	D4	D3	D2	D1	D0	HEX												
PROMCTRL	0	↑	1	-	1	1	1	0	1	1	0	0	(Ech)												
Parameter	1	↑	1	-	0	0	0	0	0	0	0	1													
Description	When program mode enable, this command need be set.																								
Register Availability	<table border="1"> <thead> <tr> <th>Status</th> <th>Availability</th> </tr> </thead> <tbody> <tr> <td>Normal Mode On, Idle Mode Off, Sleep Out</td> <td>Yes</td> </tr> <tr> <td>Normal Mode On, Idle Mode On, Sleep Out</td> <td>Yes</td> </tr> <tr> <td>Partial Mode On, Idle Mode Off, Sleep Out</td> <td>Yes</td> </tr> <tr> <td>Partial Mode On, Idle Mode On, Sleep Out</td> <td>Yes</td> </tr> <tr> <td>Sleep In</td> <td>Yes</td> </tr> </tbody> </table>													Status	Availability	Normal Mode On, Idle Mode Off, Sleep Out	Yes	Normal Mode On, Idle Mode On, Sleep Out	Yes	Partial Mode On, Idle Mode Off, Sleep Out	Yes	Partial Mode On, Idle Mode On, Sleep Out	Yes	Sleep In	Yes
Status	Availability																								
Normal Mode On, Idle Mode Off, Sleep Out	Yes																								
Normal Mode On, Idle Mode On, Sleep Out	Yes																								
Partial Mode On, Idle Mode Off, Sleep Out	Yes																								
Partial Mode On, Idle Mode On, Sleep Out	Yes																								
Sleep In	Yes																								
Default	<table border="1"> <thead> <tr> <th>Status</th> <th>Default Value</th> </tr> </thead> <tbody> <tr> <td>Power On Sequence</td> <td>00h</td> </tr> <tr> <td>S/W Reset</td> <td>00h</td> </tr> <tr> <td>H/W Reset</td> <td>00h</td> </tr> </tbody> </table>													Status	Default Value	Power On Sequence	00h	S/W Reset	00h	H/W Reset	00h				
Status	Default Value																								
Power On Sequence	00h																								
S/W Reset	00h																								
H/W Reset	00h																								

9.2.29 PROMEN (FAh): Program Mode Enable

FAH	PROMEN (Program Mode Enable)																								
Inst / Para	D/CX	WRX	RDX	D17-8	D7	D6	D5	D4	D3	D2	D1	D0	HEX												
PROMEN	0	↑	1	-	1	1	1	1	1	0	1	0	(Fah)												
1 <sup>st</sup> Parameter	1	↑	1	-	0	1	0	1	1	0	1	0	(5Ah)												
2 <sup>nd</sup> Parameter	1	↑	1	-	0	1	1	0	1	0	0	1	(69h)												
3 <sup>rd</sup> Parameter	1	↑	1	-	1	1	1	0	1	1	1	0	(Eeh)												
4 <sup>th</sup> Parameter	1	↑	1	-	0	0	0	0	0	PROMEN	0	0													
Description	<p><b>PROMEN:</b>                      "0": Program mode disable                      "1": Program mode enable</p>																								
Register Availability	<table border="1"> <thead> <tr> <th>Status</th> <th>Availability</th> </tr> </thead> <tbody> <tr> <td>Normal Mode On, Idle Mode Off, Sleep Out</td> <td>Yes</td> </tr> <tr> <td>Normal Mode On, Idle Mode On, Sleep Out</td> <td>Yes</td> </tr> <tr> <td>Partial Mode On, Idle Mode Off, Sleep Out</td> <td>Yes</td> </tr> <tr> <td>Partial Mode On, Idle Mode On, Sleep Out</td> <td>Yes</td> </tr> <tr> <td>Sleep In</td> <td>Yes</td> </tr> </tbody> </table>													Status	Availability	Normal Mode On, Idle Mode Off, Sleep Out	Yes	Normal Mode On, Idle Mode On, Sleep Out	Yes	Partial Mode On, Idle Mode Off, Sleep Out	Yes	Partial Mode On, Idle Mode On, Sleep Out	Yes	Sleep In	Yes
Status	Availability																								
Normal Mode On, Idle Mode Off, Sleep Out	Yes																								
Normal Mode On, Idle Mode On, Sleep Out	Yes																								
Partial Mode On, Idle Mode Off, Sleep Out	Yes																								
Partial Mode On, Idle Mode On, Sleep Out	Yes																								
Sleep In	Yes																								
Default	<table border="1"> <thead> <tr> <th>Status</th> <th>Default Value</th> </tr> </thead> <tbody> <tr> <td>Power On Sequence</td> <td>00h</td> </tr> <tr> <td>S/W Reset</td> <td>00h</td> </tr> <tr> <td>H/W Reset</td> <td>00h</td> </tr> </tbody> </table>													Status	Default Value	Power On Sequence	00h	S/W Reset	00h	H/W Reset	00h				
Status	Default Value																								
Power On Sequence	00h																								
S/W Reset	00h																								
H/W Reset	00h																								

9.2.30 NVMSET (FCh): NVM Setting

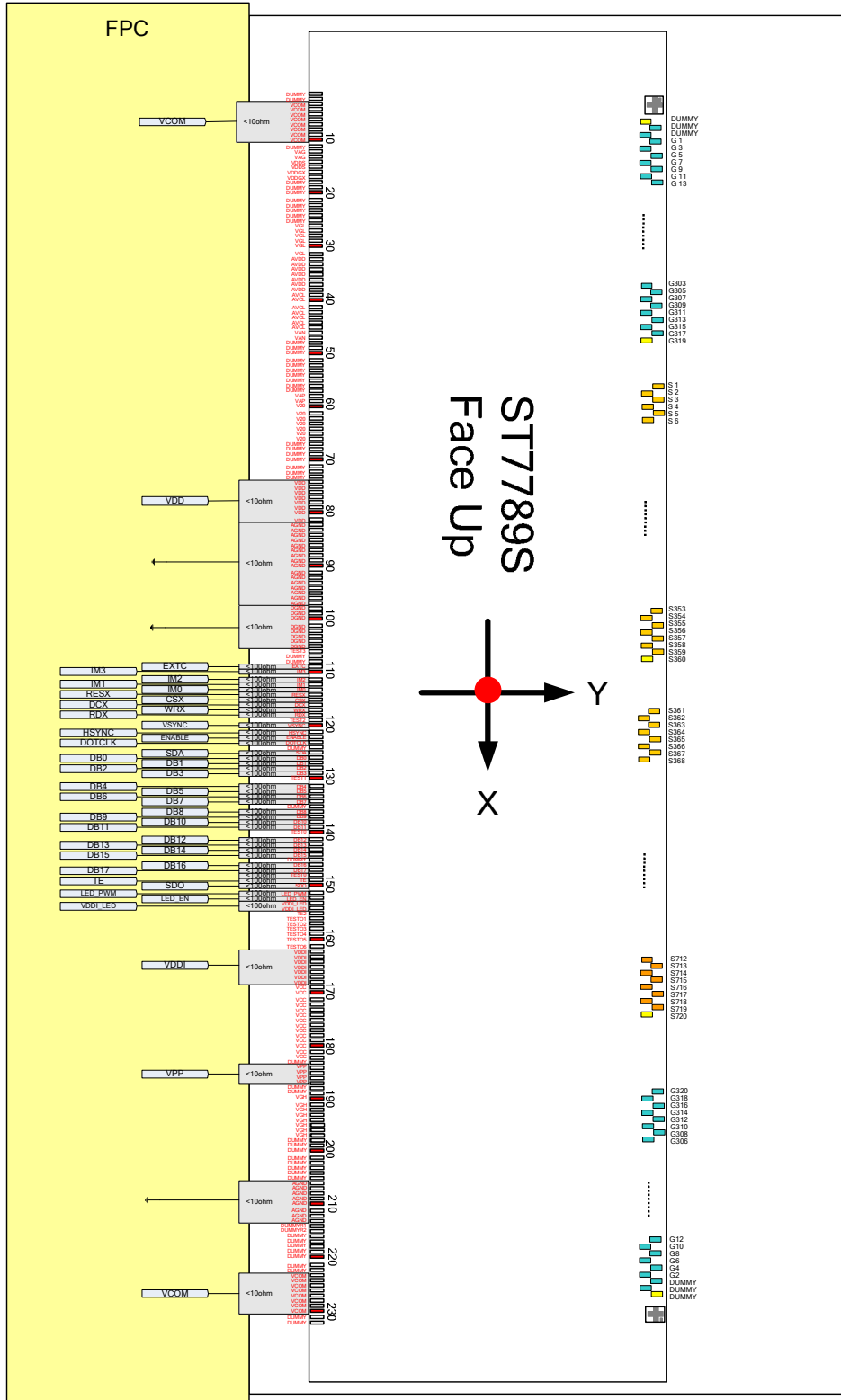
FCH	NVMSET (NVM Setting)																								
Inst / Para	D/CX	WRX	RDX	D17-8	D7	D6	D5	D4	D3	D2	D1	D0	HEX												
NVMSET	0	↑	1	-	1	1	1	1	1	1	0	0	(FCh)												
1 <sup>st</sup> Parameter	1	↑	1	-	ADD7	ADD6	ADD5	ADD4	ADD3	ADD2	ADD1	ADD0													
2 <sup>nd</sup> Parameter	1	↑	1	-	D7	D6	D5	D4	D3	D2	D1	D0													
Description	<b>ADD[7:0]: NVM address setting</b> <b>D[7:0]: Data setting of NVM address</b>																								
Register Availability	<table border="1"> <thead> <tr> <th>Status</th> <th>Availability</th> </tr> </thead> <tbody> <tr> <td>Normal Mode On, Idle Mode Off, Sleep Out</td> <td>Yes</td> </tr> <tr> <td>Normal Mode On, Idle Mode On, Sleep Out</td> <td>Yes</td> </tr> <tr> <td>Partial Mode On, Idle Mode Off, Sleep Out</td> <td>Yes</td> </tr> <tr> <td>Partial Mode On, Idle Mode On, Sleep Out</td> <td>Yes</td> </tr> <tr> <td>Sleep In</td> <td>Yes</td> </tr> </tbody> </table>													Status	Availability	Normal Mode On, Idle Mode Off, Sleep Out	Yes	Normal Mode On, Idle Mode On, Sleep Out	Yes	Partial Mode On, Idle Mode Off, Sleep Out	Yes	Partial Mode On, Idle Mode On, Sleep Out	Yes	Sleep In	Yes
Status	Availability																								
Normal Mode On, Idle Mode Off, Sleep Out	Yes																								
Normal Mode On, Idle Mode On, Sleep Out	Yes																								
Partial Mode On, Idle Mode Off, Sleep Out	Yes																								
Partial Mode On, Idle Mode On, Sleep Out	Yes																								
Sleep In	Yes																								
Default	<table border="1"> <thead> <tr> <th>Status</th> <th>Default Value</th> </tr> </thead> <tbody> <tr> <td>Power On Sequence</td> <td>00h/00h</td> </tr> <tr> <td>S/W Reset</td> <td>00h/00h</td> </tr> <tr> <td>H/W Reset</td> <td>00h/00h</td> </tr> </tbody> </table>													Status	Default Value	Power On Sequence	00h/00h	S/W Reset	00h/00h	H/W Reset	00h/00h				
Status	Default Value																								
Power On Sequence	00h/00h																								
S/W Reset	00h/00h																								
H/W Reset	00h/00h																								

9.2.31 PROMACT (FEh): Program action

FEH	PROMACT (Program action)																								
Inst / Para	D/CX	WRX	RDX	D17-8	D7	D6	D5	D4	D3	D2	D1	D0	HEX												
PROMACT	0	↑	1	-	1	1	1	1	1	1	1	0	(Feh)												
1 <sup>st</sup> Parameter	1	↑	1	-	0	0	1	0	1	0	0	1	(29h)												
2 <sup>nd</sup> Parameter	1	↑	1	-	1	0	1	0	0	1	0	1	(A5h)												
Description	When program mode enable, this command need be set.																								
Register Availability	<table border="1"> <thead> <tr> <th>Status</th> <th>Availability</th> </tr> </thead> <tbody> <tr> <td>Normal Mode On, Idle Mode Off, Sleep Out</td> <td>Yes</td> </tr> <tr> <td>Normal Mode On, Idle Mode On, Sleep Out</td> <td>Yes</td> </tr> <tr> <td>Partial Mode On, Idle Mode Off, Sleep Out</td> <td>Yes</td> </tr> <tr> <td>Partial Mode On, Idle Mode On, Sleep Out</td> <td>Yes</td> </tr> <tr> <td>Sleep In</td> <td>Yes</td> </tr> </tbody> </table>													Status	Availability	Normal Mode On, Idle Mode Off, Sleep Out	Yes	Normal Mode On, Idle Mode On, Sleep Out	Yes	Partial Mode On, Idle Mode Off, Sleep Out	Yes	Partial Mode On, Idle Mode On, Sleep Out	Yes	Sleep In	Yes
Status	Availability																								
Normal Mode On, Idle Mode Off, Sleep Out	Yes																								
Normal Mode On, Idle Mode On, Sleep Out	Yes																								
Partial Mode On, Idle Mode Off, Sleep Out	Yes																								
Partial Mode On, Idle Mode On, Sleep Out	Yes																								
Sleep In	Yes																								
Default	<table border="1"> <thead> <tr> <th>Status</th> <th>Default Value</th> </tr> </thead> <tbody> <tr> <td>Power On Sequence</td> <td>00h/00h</td> </tr> <tr> <td>S/W Reset</td> <td>00h/00h</td> </tr> <tr> <td>H/W Reset</td> <td>00h/00h</td> </tr> </tbody> </table>													Status	Default Value	Power On Sequence	00h/00h	S/W Reset	00h/00h	H/W Reset	00h/00h				
Status	Default Value																								
Power On Sequence	00h/00h																								
S/W Reset	00h/00h																								
H/W Reset	00h/00h																								

10 APPLICATION

10.1 Configuration of Power Supply Circuit





10.2 Voltage Generation

The following is the ST7789S analog voltage pattern diagram:

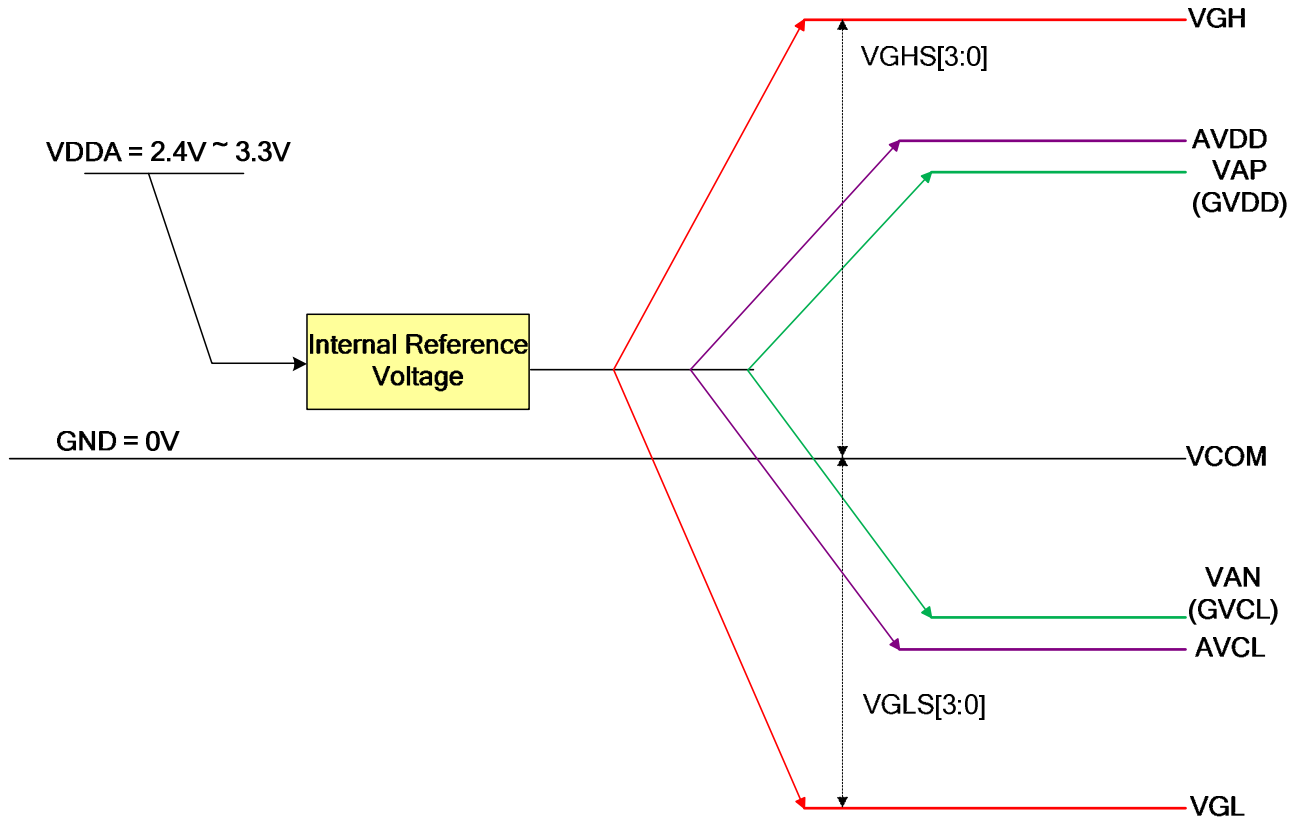


Figure 38 Power Booster Level

### 10.3 Relationship about source voltage

The relationship about source voltage is shown as below:

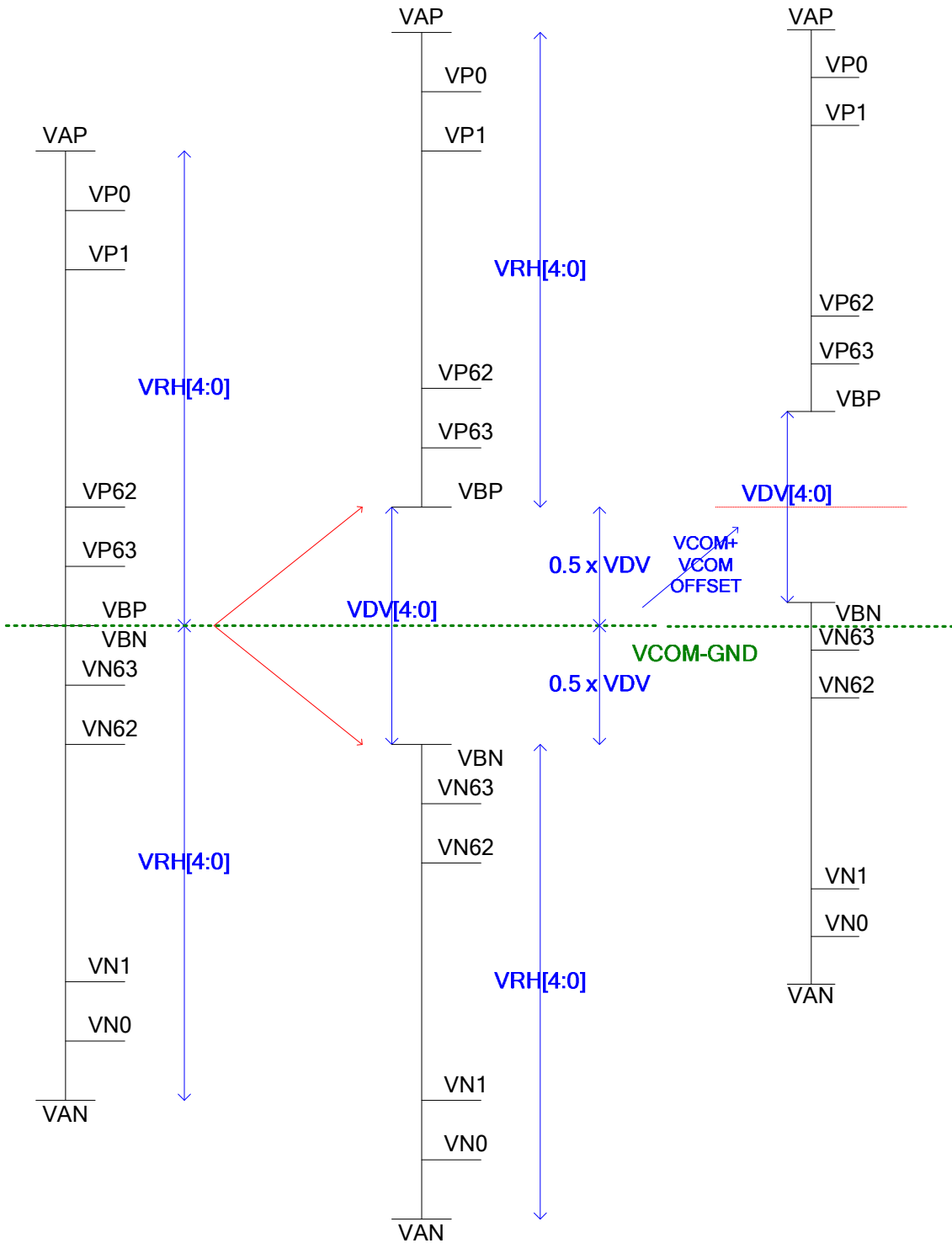


Figure 39 Relationship about source voltage

Note: if  $VDV=0V$ ,  $VBP=VBN=VCOM+VCOM\ OFFSET$ .

10.4 Applied Voltage to the TFT panel

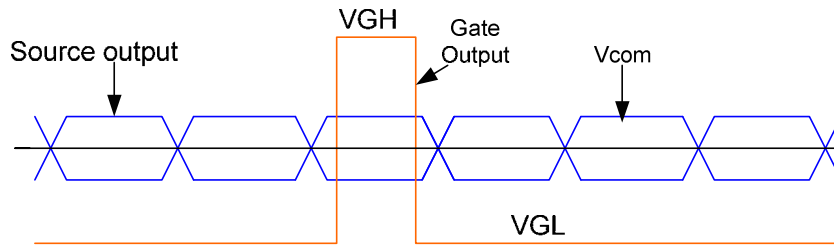


Figure 40 Voltage Output to TFT LCD Panel

**11 REVISION HISTORY**

Version	Date	Description
V1.0	2012/11	First issue
V1.1	2012/12	<ol style="list-style-type: none"> <li>1. Modified pin20~24, 26~31, 190~197 pin definition.</li> <li>2. Fix type error in command 3Ah.</li> </ol>
V1.2	2013/01	<ol style="list-style-type: none"> <li>1. Specify pin description for TE2</li> <li>2. Modify TEST3~0 connect level from GND to open</li> </ol>
V1.3	2013/02	<ol style="list-style-type: none"> <li>1. Specify pin description for V20</li> <li>2. Specify connect pin for AVDD/AVCL/VAP/VAN/VGH/VGL</li> <li>3. Correct type error for DUMMYR1 and DUMMYR2.</li> <li>4. Fix type error about description of RGB 16bit data bus.</li> <li>5. Specify command E8h and E9h</li> </ol>
V1.4	2013/03	<ol style="list-style-type: none"> <li>1. Specify command D0h and D2h</li> <li>2. Correct type error in command 2Ch</li> <li>3. Specify minimum setting of hpw and hbp in RGB interface.</li> </ol>
V1.5	2013/04	Specify 2 data lane serial interface.