



ST7272A

480x480 System-On-Chip Driver for 320RGBx240 Dual Gate TFT LCD

Datasheet

Sitronix reserves the right to change the contents in this document without prior notice, please contact Sitronix to obtain the latest version of datasheet before placing your order. No responsibility is assumed by Sitronix for any infringement of patent or other rights of third parties which may result from its use.

© 2018 Sitronix Technology Corporation. All rights reserved.

Version 0.3

2018/01

Sitronix Technology Corporation

Sitronix Technology Corp. reserves the right to change the contents in this document without prior notice.

LIST OF CONTENT

1. GENERAL DESCRIPTION..... 5

2. FEATURES 6

3. PAD ARRANGEMENT 7

4. PAD CENTER COORDINATES 8

5. BLOCK DIAGRAM 31

6. PIN DESCRIPTION 32

 6.1 Pin Function.....32

7. COMMUNICATION INTERFACE 35

 7.1 3-wire Serial Interface35

 7.2 I²C Interface36

 7.2.1 Bit Transfer..... 36

 7.2.2 START and STOP Conditions..... 36

 7.2.3 System Configuration 37

 7.2.4 Acknowledgment 37

 7.2.5 I²C Interface Protocol 38

 7.3 RGB Interface39

 7.3.1 SYNC Mode 39

 7.3.2 SYNC-DE Mode 40

 7.3.3 DE Mode 41

 7.3.4 Parallel 24-bit RGB Input Timing Table 42

 7.3.5 Serial 8-bit RGB Input Timing Table 43

8. REGISTER LIST..... 44

 8.1 Register Summary44

 8.2 Command Table1 Register Description47

 8.2.1 GRB、DISP CONTROL (10h) 47

 8.2.2 CONTRAST (11h) 47

 8.2.3 SUB_CONTRAST_R (12h) 47

 8.2.4 SUB_CONTRAST_B (13h) 48

 8.2.5 BRIGHTNESS (14h) 48

 8.2.6 SUB-BRIGHTNESS_R (15h) 48

 8.2.7 SUB-BRIGHTNESS_B (16h) 49

 8.2.8 H_BLANKING (17h) 49

 8.2.9 V_BLANKING (18h) 49

 8.2.10 DISPLAY MODE SETTING (19h) 50

 8.2.11 RGB INTERFACE MODE SETTING (1Ah)..... 51

 8.2.12 ERROR REPORT AND OTP AUTO DOWNLOAD CONTROL (1Bh) 52

 8.2.13 BIST FUNCTION SETTING (1Ch)..... 52

8.3 Command Table2 Register Description	53
8.3.1 GVDD SETTING (40h).....	53
8.3.2 GVCL SETTING (41h)	54
8.3.3 AVDD, AVCL SETTING (44h).....	55
8.3.4 VGH, VGL SETTING (45h)	56
8.3.5 SOURCE EQUALIZE TIME SETTING (46h)	57
8.3.6 SOURCE OP-AMP POWER SETTING (47h).....	58
8.3.7 GATE TIMING SETTING 1 (49h).....	59
8.3.8 GATE TIMING SETTING 2 (4Ah)	60
8.4 Gamma Table Register Description	61
8.4.1 GAMMA SETTING (20h~29h, 30h~39h)	61
8.5 OTP Table Register Description	63
8.5.1 ID1 SETTING (01h).....	63
8.5.2 ID2 SETTING (02h).....	63
8.5.3 ID3 SETTING (03h).....	63
8.5.4 2C ID CODE SETTING (04h).....	63
8.5.5 VCOM OFFSET SETTING (05h)	64
8.5.6 OTP FUNCTION CONTROL (60h)	64
8.5.7 OTP ACKNOWLEDGEMENT CONTROL (65h).....	65
8.5.8 VCOM OFFSET OTP PROGRAM TIMES (66h).....	65
8.5.9 COMMAND 2 PROGRAM TIMES (67h)	65
8.5.10 GAMMA OTP PROGRAM TIMES (68h).....	65
8.5.11 ID1 OTP PROGRAM TIMES (69h)	66
8.5.12 ID2 OTP PROGRAM TIMES (6Ah).....	66
8.5.13 ID3 OTP PROGRAM TIMES (6Bh).....	66
8.5.14 I ² C ID OTP PROGRAM TIMES (6Ch).....	66
ELECTRICAL SPECIFICATIONS	67
9.1 Absolute Maximum Ratings	67
9.2 DC Characteristics	68
9.2.1 Recommended Operating Range	68
9.2.2 DC Characteristics for Digital Circuit.....	68
9.2.3 DC Characteristics for Analog Circuit	68
9.3 AC Characteristics	69
9.3.1 System Operation AC Characteristics	69
9.3.2 System Bus Timing for I ² C Interface	69
9.3.3 System Bus Timing for 3-Wire SPI Interface	70
9.3.4 System Bus Timing for RGB Interface	71
10. APPLICATION CIRCUIT	72
10.1 External Component of Power Circuit	72

10.2 Parallel 24-bit RGB with 3-wire SPI	73
10.3 Serial 8-bit RGB with 3-wire SPI	74
10.4 OTP Operation.....	75
11. POWER ON/OFF SEQUENCE.....	76
11.1 Power On Sequence.....	76
11.2 Power Off Sequence.....	77
12. BIST FUNCTION	78
12.1 BIST Pattern	78
13. OTP PROGRAM FLOW	79
13.1 VCOM Offset OTP Flow.....	79
13.2 Custom Application ID Code OTP Flow	81
14. RECOMMENDED PANEL ROUTING RESISTANCE.....	83
15. COLOR FILTER ARRANGEMENT	84
14. REVISION HISTORY.....	86

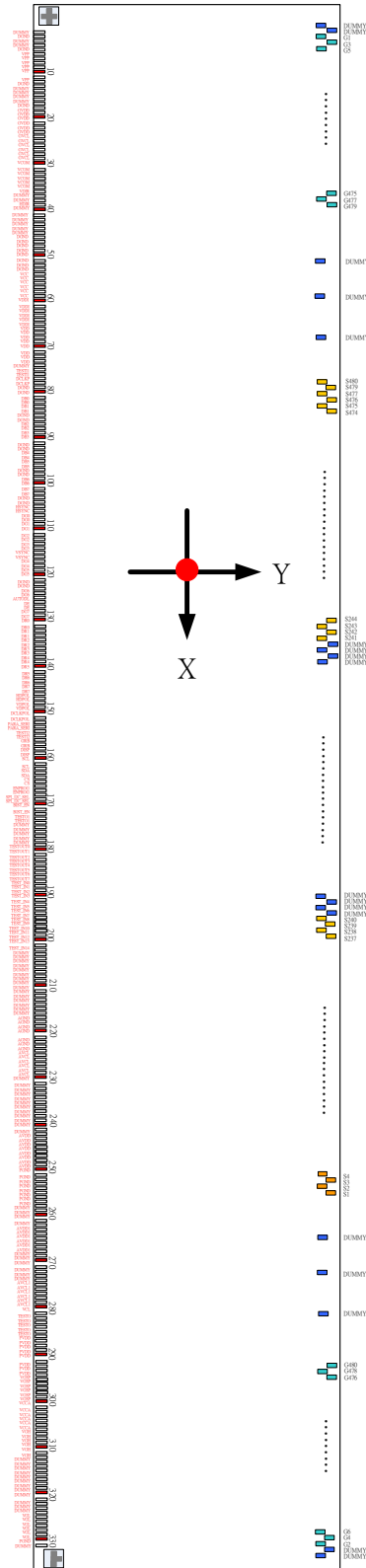
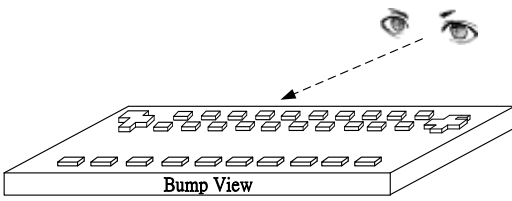
1. GENERAL DESCRIPTION

ST7272A offers all-in-one chip solution of 320RGBx240 for dual gate color TFT-LCD panel. The driver IC output ports consists of 480 source channels and 480 gate channels. This chip incorporated with digital timing generator, source and gate driver, power supply circuit and embedded serial communication interface for function setting. This chip can support parallel 24-bit RGB and serial 8-bit RGB interface. The source output support real 8-bit resolution and 256-gray scale with small output deviation are designed to support higher color resolution. The power supply circuit incorporated with step-up circuit, regulators and operational amplifiers to generate power supply voltages to drive TFT LCD.

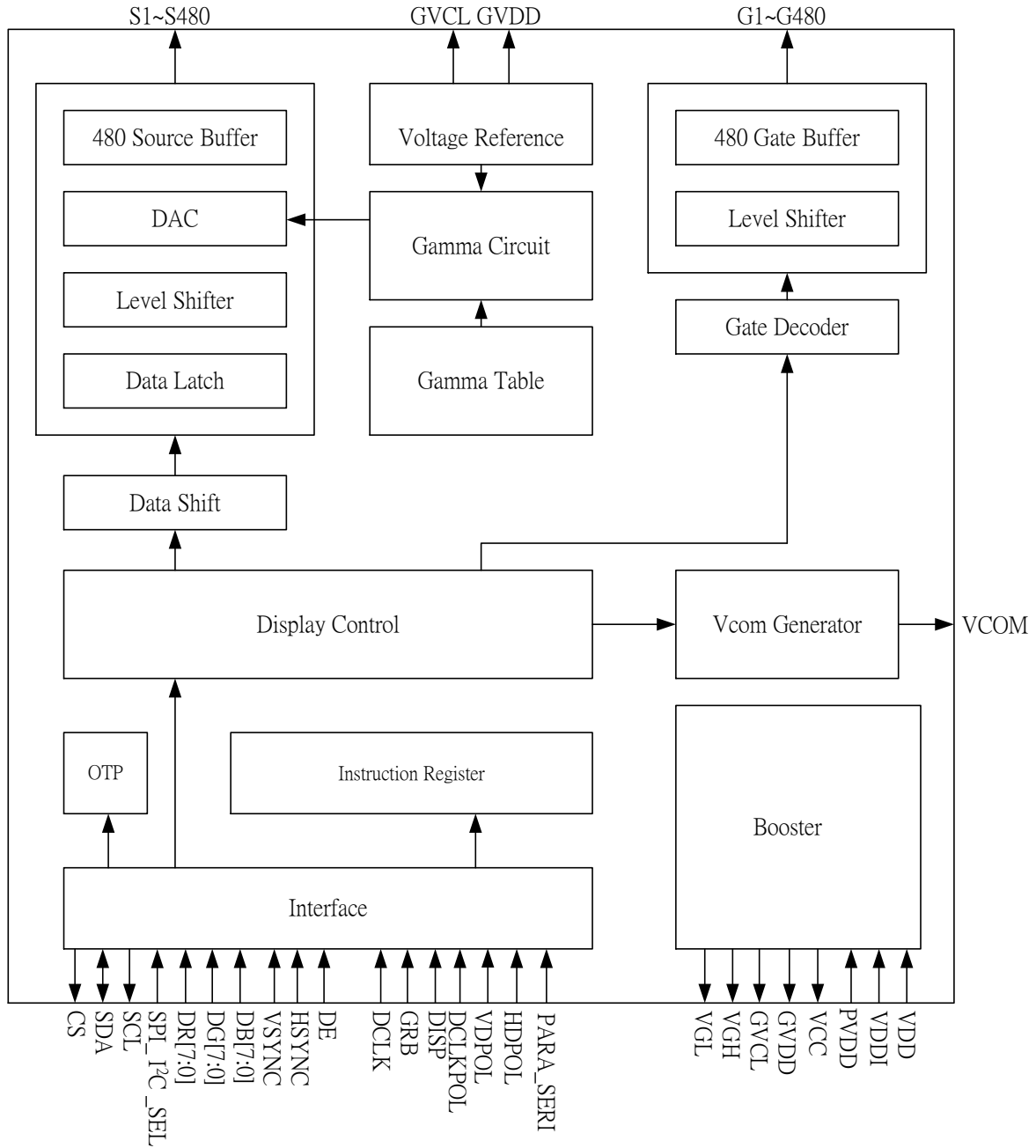
2. FEATURES

- Display Maximum Resolution:
 - support dual gate panel resolution: 320RGB * 240
- LCD Driver Output Circuits
 - source outputs: 480 channels
 - gate outputs: 480 channels
 - common electrode output
- 256 Gray Scale with True 8-bit DAC
- Microprocessor Interface
 - 8-bit and 24-bit RGB interface support: SYNC, SYNC-DE and DE mode
 - 3-wire SPI and I²C interface
- On Chip Build-In Circuits
 - DC/DC converter
 - multi-OTP circuit (3 times)
 - timing controller
- Wide Supply Voltage Range
 - I/O voltage (VDDI to DGND): 3.0V ~ 3.6V
 - analog voltage (VDD to AGND): 3.0V ~ 3.6V
 - charge pump voltage (PVDD to PGND): 3.0V ~ 3.6V
- On-Chip Power System
 - GVDD: 4.960V ~ 5.968V
 - GVCL: -2.960V ~ -3.380V
 - VCOM: -0.24V ~ -1.504V (VCOM = (GVDD - |GVCL|) / 2, the VCOM voltage is set by panel characteristics)
 - gate high level (VGH to AGND): 13V ~ 16.5V
 - gate low level (VGL to AGND): -7V ~ -11V
- Optimized Layout for COG Assembly
- Built-in Multi-OTP Programming Circuit
 - internal VPP power supply
- Multi-OTP Adjustable Parameters
 - 7-bit for VCOM offset adjustment
 - 7-bit ID1/ ID2/ ID3 for end user use

3. PAD ARRANGEMENT



5. BLOCK DIAGRAM



6. PIN DESCRIPTION

6.1 Pin Function

Name	Type	Description						
3-Wire SPI / I ² C Interface Pins								
SPI_I ² C_SEL	I	3-wire SPI and I ² C interface control.						
		<table border="1"> <thead> <tr> <th>SPI_I²C_SEL</th> <th>Function Description</th> </tr> </thead> <tbody> <tr> <td>L</td> <td>I²C interface</td> </tr> <tr> <td>H</td> <td>3-wire SPI interface</td> </tr> </tbody> </table>	SPI_I ² C_SEL	Function Description	L	I ² C interface	H	3-wire SPI interface
		SPI_I ² C_SEL	Function Description					
L	I ² C interface							
H	3-wire SPI interface							
CS	I	Serial communication chip selection. CS is not used in I ² C interface and should be connected to "H".						
SDA	I/O	Serial communication data input and output.						
SCL	I	Serial communication clock input.						
Control Pins								
PARA_SER1	I	Set parallel or serial RGB interface.						
		<table border="1"> <thead> <tr> <th>PARA_SER1</th> <th>Function Description</th> </tr> </thead> <tbody> <tr> <td>L</td> <td>Serial 8 bit RGB interface</td> </tr> <tr> <td>H</td> <td>Parallel 24 bit RGB interface</td> </tr> </tbody> </table>	PARA_SER1	Function Description	L	Serial 8 bit RGB interface	H	Parallel 24 bit RGB interface
		PARA_SER1	Function Description					
L	Serial 8 bit RGB interface							
H	Parallel 24 bit RGB interface							
HDIR	I	Horizontal scan direction control pin. This pin must be connected to "H" or "L" according to system application.						
		<table border="1"> <thead> <tr> <th>HDIR</th> <th>Function Description</th> </tr> </thead> <tbody> <tr> <td>L</td> <td>From right to left</td> </tr> <tr> <td>H</td> <td>From left to right</td> </tr> </tbody> </table>	HDIR	Function Description	L	From right to left	H	From left to right
		HDIR	Function Description					
L	From right to left							
H	From left to right							
VDIR	I	Vertical scan direction control pin. This pin must be connected to "H" or "L" according to system application.						
		<table border="1"> <thead> <tr> <th>VDIR</th> <th>Function Description</th> </tr> </thead> <tbody> <tr> <td>L</td> <td>From down to up.</td> </tr> <tr> <td>H</td> <td>From up to down.</td> </tr> </tbody> </table>	VDIR	Function Description	L	From down to up.	H	From up to down.
		VDIR	Function Description					
L	From down to up.							
H	From up to down.							
VDPOL	I	VDPOL sets VSYNC polarity in RGB interface.						
		<table border="1"> <thead> <tr> <th>DCLKPOL</th> <th>Function Description</th> </tr> </thead> <tbody> <tr> <td>L</td> <td>HSYNC polarity: positive</td> </tr> <tr> <td>H</td> <td>HSYNC polarity: negative</td> </tr> </tbody> </table>	DCLKPOL	Function Description	L	HSYNC polarity: positive	H	HSYNC polarity: negative
		DCLKPOL	Function Description					
L	HSYNC polarity: positive							
H	HSYNC polarity: negative							
HDPOL	I	HDPOL sets HSYNC polarity in RGB interface.						
		<table border="1"> <thead> <tr> <th>HCLKPOL</th> <th>Function Description</th> </tr> </thead> <tbody> <tr> <td>L</td> <td>HSYNC polarity: positive</td> </tr> <tr> <td>H</td> <td>HSYNC polarity: negative</td> </tr> </tbody> </table>	HCLKPOL	Function Description	L	HSYNC polarity: positive	H	HSYNC polarity: negative
		HCLKPOL	Function Description					
L	HSYNC polarity: positive							
H	HSYNC polarity: negative							

Name	Type	Description								
DCLKPOL	I	VDPOL sets DCLK polarity in RGB interface.								
		<table border="1"> <thead> <tr> <th>VDLKPOL</th> <th>Function Description</th> </tr> </thead> <tbody> <tr> <td>L</td> <td>VSYNC polarity: positive</td> </tr> <tr> <td>H</td> <td>VSYNC polarity: negative</td> </tr> </tbody> </table>	VDLKPOL	Function Description	L	VSYNC polarity: positive	H	VSYNC polarity: negative		
		VDLKPOL	Function Description							
L	VSYNC polarity: positive									
H	VSYNC polarity: negative									
GRB	I	Global reset pin. When GRB is "L", internal initialization procedure is executed.								
DISP	I	DISP sets the display mode.								
		<table border="1"> <thead> <tr> <th>DISP</th> <th>Function Description</th> </tr> </thead> <tbody> <tr> <td>L</td> <td>Standby mode</td> </tr> <tr> <td>H</td> <td>Normal display mode</td> </tr> </tbody> </table>	DISP	Function Description	L	Standby mode	H	Normal display mode		
		DISP	Function Description							
L	Standby mode									
H	Normal display mode									
AUTODL	I	OTP trim function control pin.								
		<table border="1"> <thead> <tr> <th>AUTODL</th> <th>Function Description</th> </tr> </thead> <tbody> <tr> <td>L</td> <td>Disable auto-refresh function</td> </tr> <tr> <td>H</td> <td>Enable auto-refresh function</td> </tr> </tbody> </table>	AUTODL	Function Description	L	Disable auto-refresh function	H	Enable auto-refresh function		
		AUTODL	Function Description							
L	Disable auto-refresh function									
H	Enable auto-refresh function									
ENPROG	I	OTP program control pin.								
		<table border="1"> <thead> <tr> <th>ENPROG</th> <th>Function Description</th> </tr> </thead> <tbody> <tr> <td>L</td> <td>Disable OTP program function</td> </tr> <tr> <td>H</td> <td>Enable OTP program function</td> </tr> </tbody> </table>	ENPROG	Function Description	L	Disable OTP program function	H	Enable OTP program function		
		ENPROG	Function Description							
L	Disable OTP program function									
H	Enable OTP program function									
BIST_EN	I	BIST function control pin.								
		<table border="1"> <thead> <tr> <th>BIST_EN</th> <th>Function Description</th> </tr> </thead> <tbody> <tr> <td>L</td> <td>Disable BIST function</td> </tr> <tr> <td>H</td> <td>Enable BIST function</td> </tr> </tbody> </table>	BIST_EN	Function Description	L	Disable BIST function	H	Enable BIST function		
		BIST_EN	Function Description							
L	Disable BIST function									
H	Enable BIST function									
Input Interface Pins										
DR[7:0] DG[7:0] DB[7:0]	I	RGB interface data input pins.								
		<table border="1"> <thead> <tr> <th colspan="2">Function Description</th> </tr> </thead> <tbody> <tr> <td>DR[7:0]</td> <td>8 bit data bus display red data. DR[7:0] are not used in 8-bit RGB interface and should be connected to "L" .</td> </tr> <tr> <td>DG[7:0]</td> <td>8 bit data bus display green data. DG[7:0] are used in 8-bit RGB interface.</td> </tr> <tr> <td>DB[7:0]</td> <td>8 bit data bus display blue data. DB[7:0] are not used in 8-bit RGB interface and should be connected to "L".</td> </tr> </tbody> </table>	Function Description		DR[7:0]	8 bit data bus display red data. DR[7:0] are not used in 8-bit RGB interface and should be connected to "L" .	DG[7:0]	8 bit data bus display green data. DG[7:0] are used in 8-bit RGB interface.	DB[7:0]	8 bit data bus display blue data. DB[7:0] are not used in 8-bit RGB interface and should be connected to "L".
		Function Description								
DR[7:0]	8 bit data bus display red data. DR[7:0] are not used in 8-bit RGB interface and should be connected to "L" .									
DG[7:0]	8 bit data bus display green data. DG[7:0] are used in 8-bit RGB interface.									
DB[7:0]	8 bit data bus display blue data. DB[7:0] are not used in 8-bit RGB interface and should be connected to "L".									
DCLK	I	Pixel clock input pin								
HSYNC	I	Horizontal sync signal, default is negative polarity.								
VSYNC	I	Vertical sync signal, default is negative polarity.								
DE	I	Data input enable. Display access is enabled when DE is "H".								
Source / Gate Driver Pins										

Name	Type	Description
S1~S480	O	Source driver output signals.
G1~G480	O	Gate driver output signals.
VCOM Generator Pin		
VCOM	O	Power supply for the TFT-LCD common electrode.
Power Supply Pins		
VDD	P	Power supply for analog circuit.
VDDI	P	Power supply for digital I/O pins.
PVDD	P	Power supply for charge pump circuit.
DGND	P	Ground pin for digital circuit.
AGND	P	Ground pin for analog circuit.
PGND	P	Ground pin for charge pump circuit.
Power Circuit Pins		
AVDD	C	DC/DC converter for positive source OP-AMP driver.
AVCL	C	DC/DC converter for negative source OP-AMP driver.
VGH	C	Positive power supply for gate driver.
VGL	C	Negative power supply for gate driver.
GVDD	PO	Positive voltage output of grayscale power.
GVCL	PO	Negative voltage output of grayscale power.
Test Pins		
VGSP	T	Monitor pin of internal VCOM offset.
VCC	T	Reserved for testing only, please leave those pins open
VCCA	T	Reserved for testing only, please leave those pins open
AVDD1	T	Reserved for testing only, please leave those pins open
AVCL1	T	Reserved for testing only, please leave those pins open
VPP	T	Reserved for testing only, please leave this pin open.
TEST_IN[14:0]	T	Reserved for testing only, please leave those pins open
TESTI[2:1]	T	Reserved for testing only, please leave those pins connect to "L"
TESTOUT[7:0]	T	Reserved for testing only, please leave those pins open.
TESTO[2:1]	T	Reserved for testing only, please leave it open.

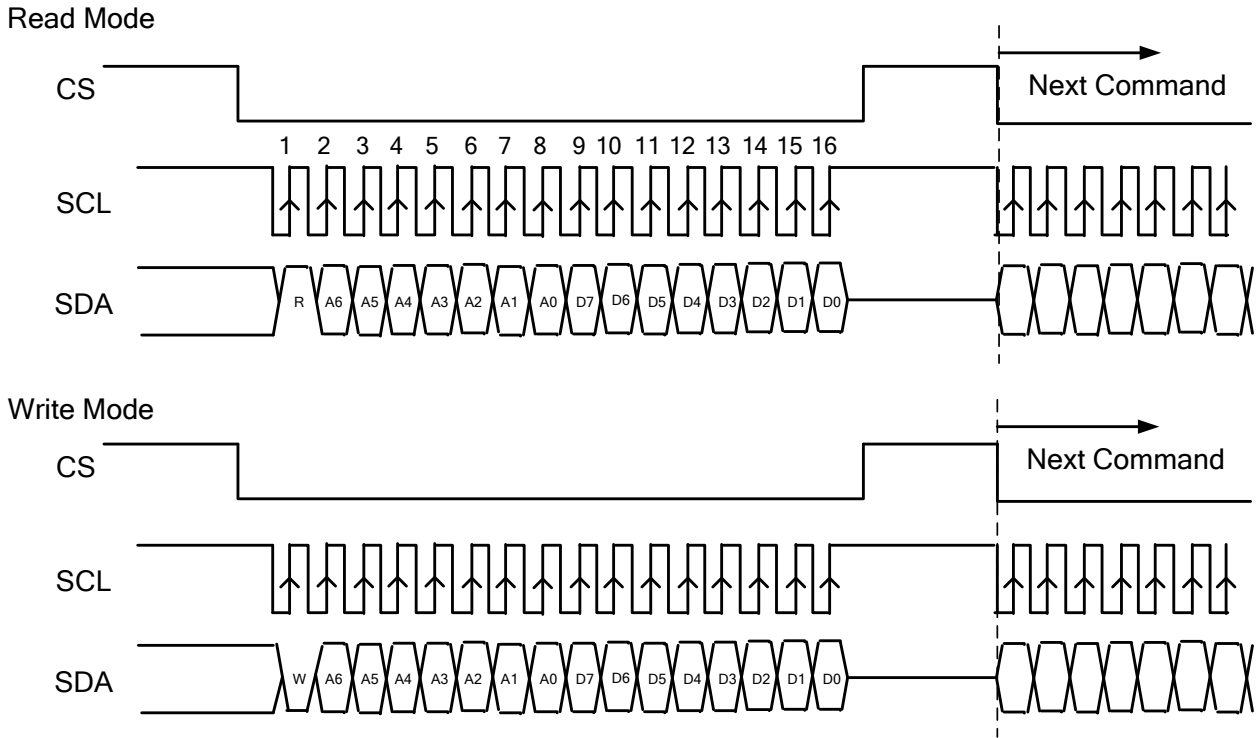
Note: 1. I: input, O: output, I/O: input/output, P: power input, PO: power out, D: dummy, T: test pin, C: capacitor pin

2. If hardware pin is not used, please fix to "H" by VDDI or "L" by DGND

7. COMMUNICATION INTERFACE

7.1 3-wire Serial Interface

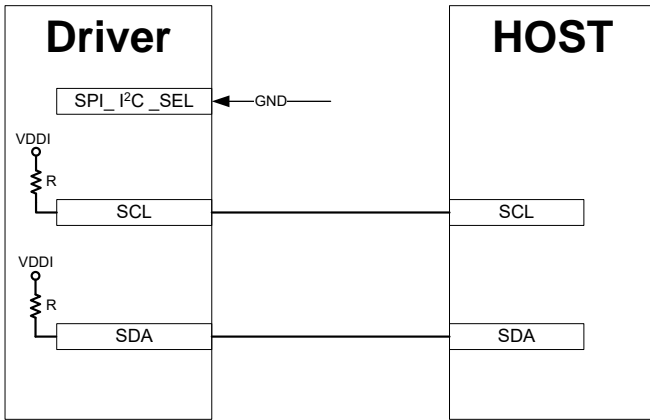
R/W: Read/Write mode control bit.
 R/W=1: Read mode
 R/W=0: Write mode



- a. Each serial command consists of 16 bits of data which is loaded one bit a time at the rising edge of serial clock SCL.
- b. Command loading operation starts from the falling edge of CS and is completed at the next rising edge of CS.
- c. The serial control block is operational after power on reset, but commands are established by the VSYNC signal. If command is transferred multiple times for the same register, the last command before the VSYNC signal is valid.
- d. If less than 16 bits of SCL are input while CS is low, the transferred data is ignored.
- e. If 16 bits or more of SCL are input while CS is low, the previous 16 bits of transferred data before then rising edge of CS pulse are valid data.
- f. Serial block operates with the SCL clock
- g. Serial data can be accepted in the power save mode.
- h. After power on reset or GRB reset, it is required 100ms delay to begin SPI communication.

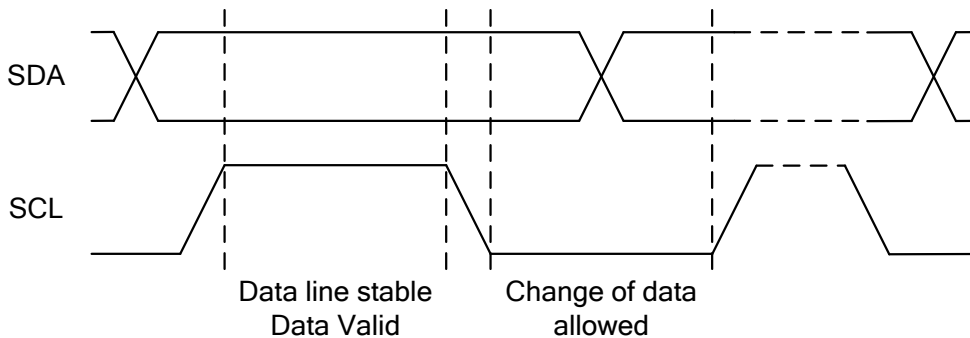
7.2 I²C Interface

The I²C Interface is bi-directional two-line communication between different ICs or modules. The two lines are a Serial Data line (SDA) and a Serial Clock line (SCL). Both lines have built-in pull up resistor which drives SDA and SCL to high when the bus is not busy. Data transfer can be initiated only when the bus is not busy.



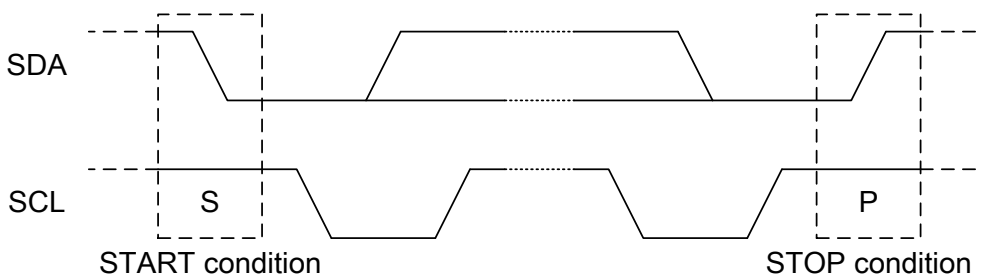
7.2.1 Bit Transfer

One data bit is transferred during each clock pulse. The data on the SDA line must remain stable during the HIGH period of the clock pulse because changes of SDA line at this time will be interpreted as START or STOP. Bit transfer is illustrated as follows.

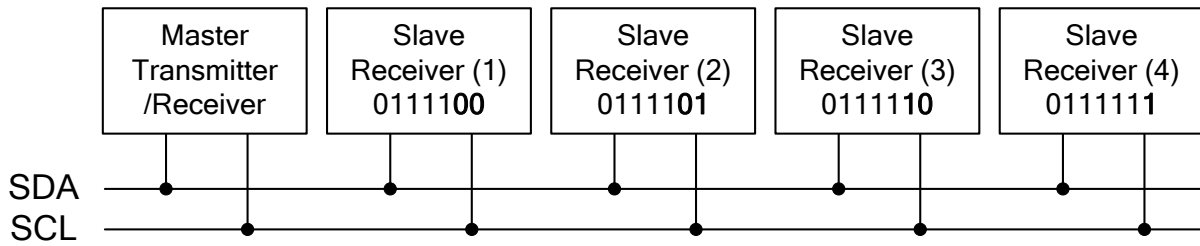


7.2.2 START and STOP Conditions

Both SDA and SCL lines remain HIGH when the bus is not busy. A HIGH-to-LOW transition of SDA, while SCL is HIGH is defined as the START condition (S). A LOW-to-HIGH transition of SDA while SCL is HIGH is defined as the STOP condition (P). The START and STOP conditions are illustrated as follows.



7.2.3 System Configuration

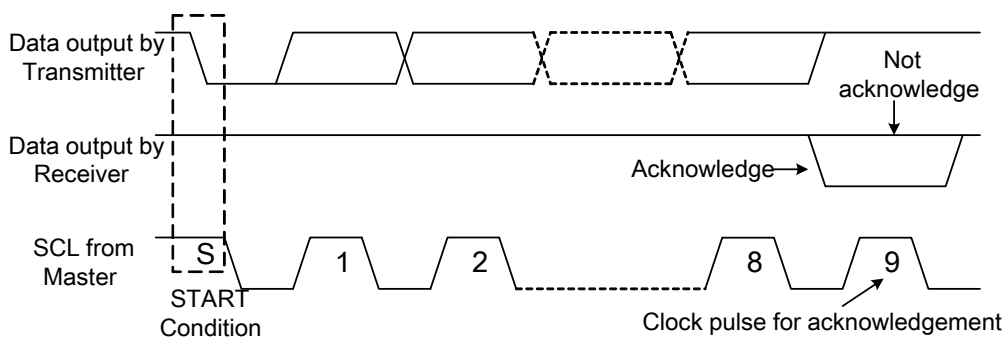


The system configuration is illustrated above and some word-definitions are explained below:

- a. Transmitter: the device which sends the data to the bus.
- b. Receiver: the device which receives the data from the bus.
- c. Master: the device which initiates a transfer generates clock signals and terminates a transfer.
- d. Slave: the device which is addressed by a master.
- e. Multi-Master: more than one master can attempt to control the bus at the same time without corrupting the message.
- f. Arbitration: the procedure to ensure that, if more than one master tries to control the bus simultaneously, only one is allowed to do so and the message is not corrupted.
- g. Synchronization: procedure to synchronize the clock signals of two or more devices.

7.2.4 Acknowledgment

Each byte of eight bits is followed by an acknowledge-bit. The acknowledge-bit is a HIGH signal put on SDA by the transmitter during the time when the master generates an extra acknowledge-related clock pulse. A slave receiver which is addressed must generate an acknowledge-bit after the reception of each byte. A master receiver must also generate an acknowledge-bit after the reception of each byte that has been clocked out of the slave transmitter. The device that acknowledges must pull-down the SDA line during the acknowledge-clock pulse, so that the SDA line is stable LOW during the HIGH period of the acknowledge-related clock pulse (set-up and hold times must be taken into consideration). A master receiver must signal an end-of-data to the slave transmitter by not generating an acknowledge-bit on the last byte that has been clocked out of the slave. In this event the transmitter must leave the data line HIGH to enable the master to generate a STOP condition. Acknowledgement on the I²C Interface is illustrated as follows.



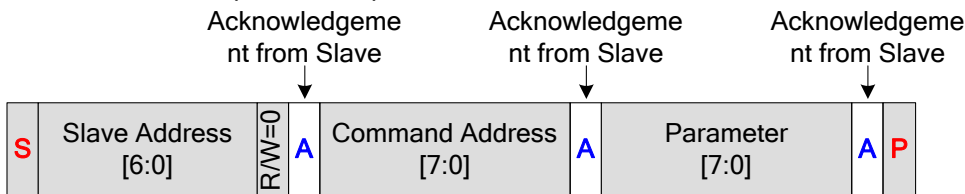
7.2.5 I²C Interface Protocol

The driver supports command/data write to addressed slaves on the bus. Before any data is transmitted on the I²C Interface, the device which should respond is addressed first. The default slave address is 0111100b and the three times I²C address could be OTP programming.

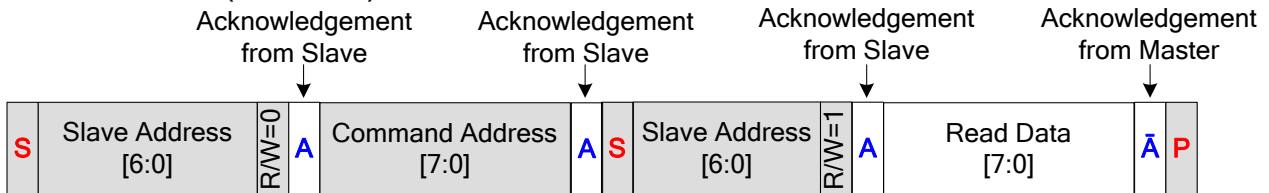
The sequence is initiated with a START condition (S) from the I²C Interface master, which is followed by the slave address. All slaves with the corresponding address acknowledge in parallel, all the others will ignore the I²C Interface transfer. After acknowledgement, one or more command or data words are followed and define the status of the addressed slaves.

Only the addressed slave makes the acknowledgement after each byte. At the end of the transmission the bus master issues a STOP condition (P). If no acknowledge is generated by the master after a byte, the driver stops transferring data to the master. The register write/ read transference sequence are described as follows.

Write Mode (R/W="0")



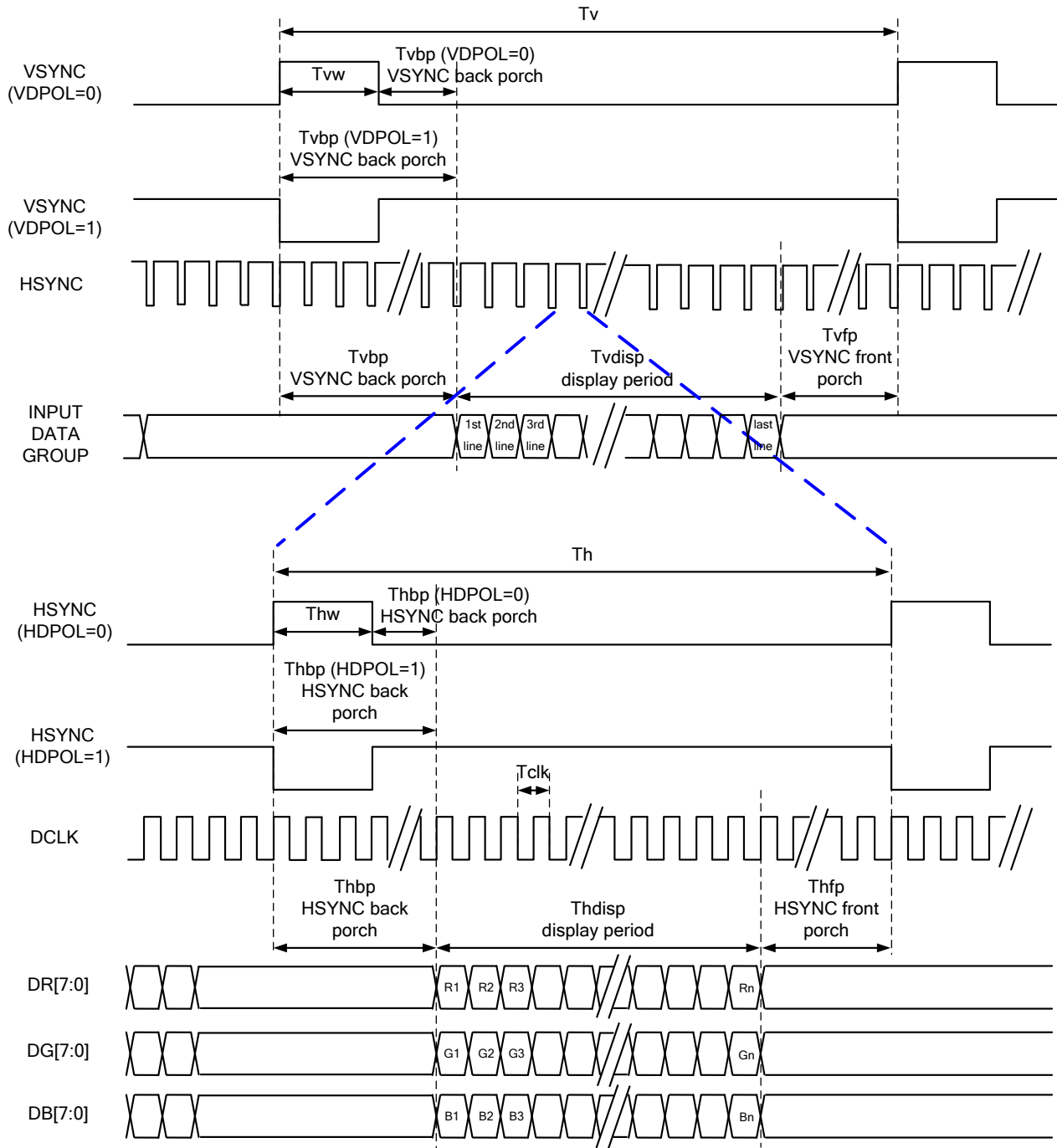
Read Mode (R/W="1")



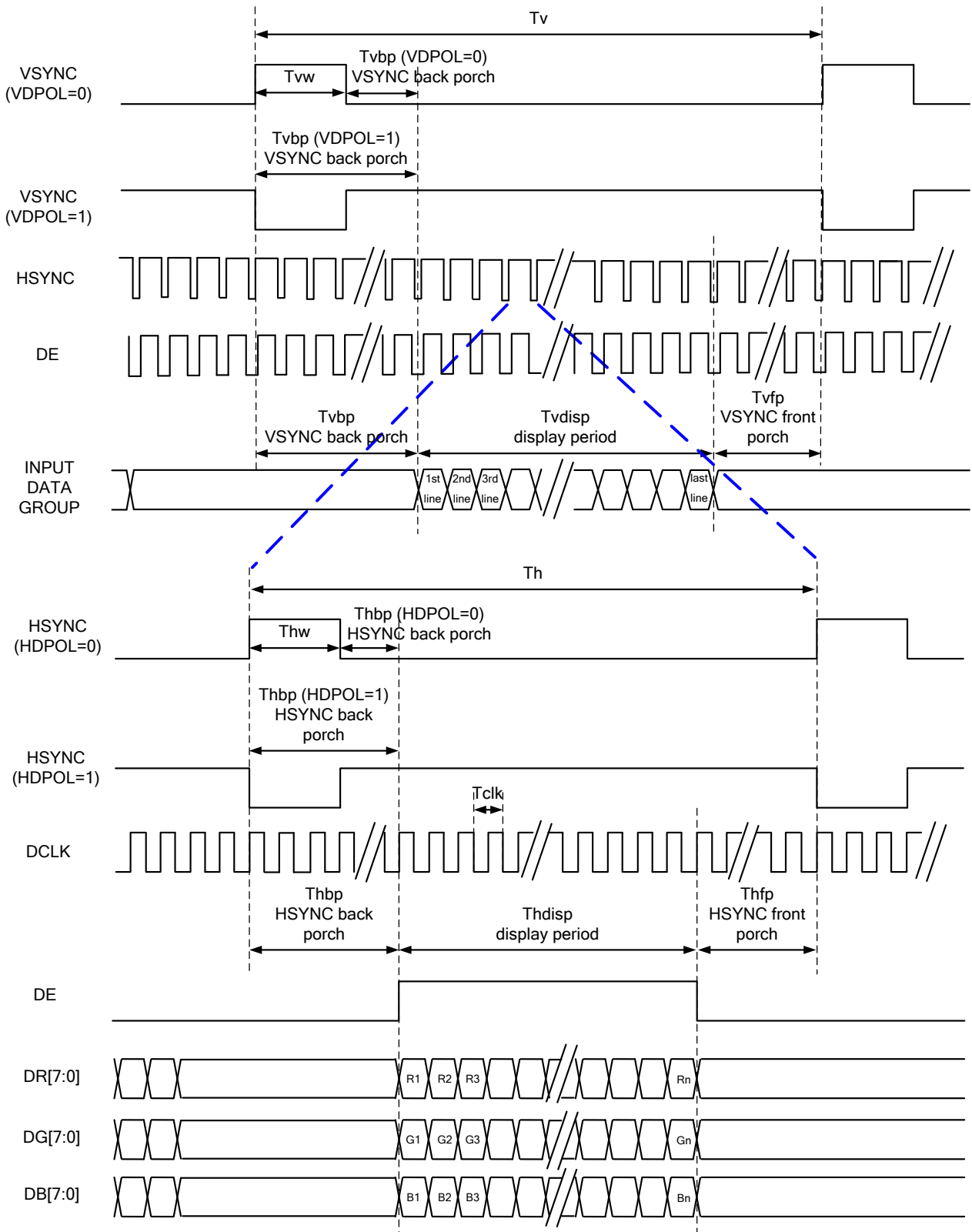
- S: start condition
- P: stop condition
- A: acknowledge
- Ā: no-acknowledge
- master to slave
- slave to master

7.3 RGB Interface

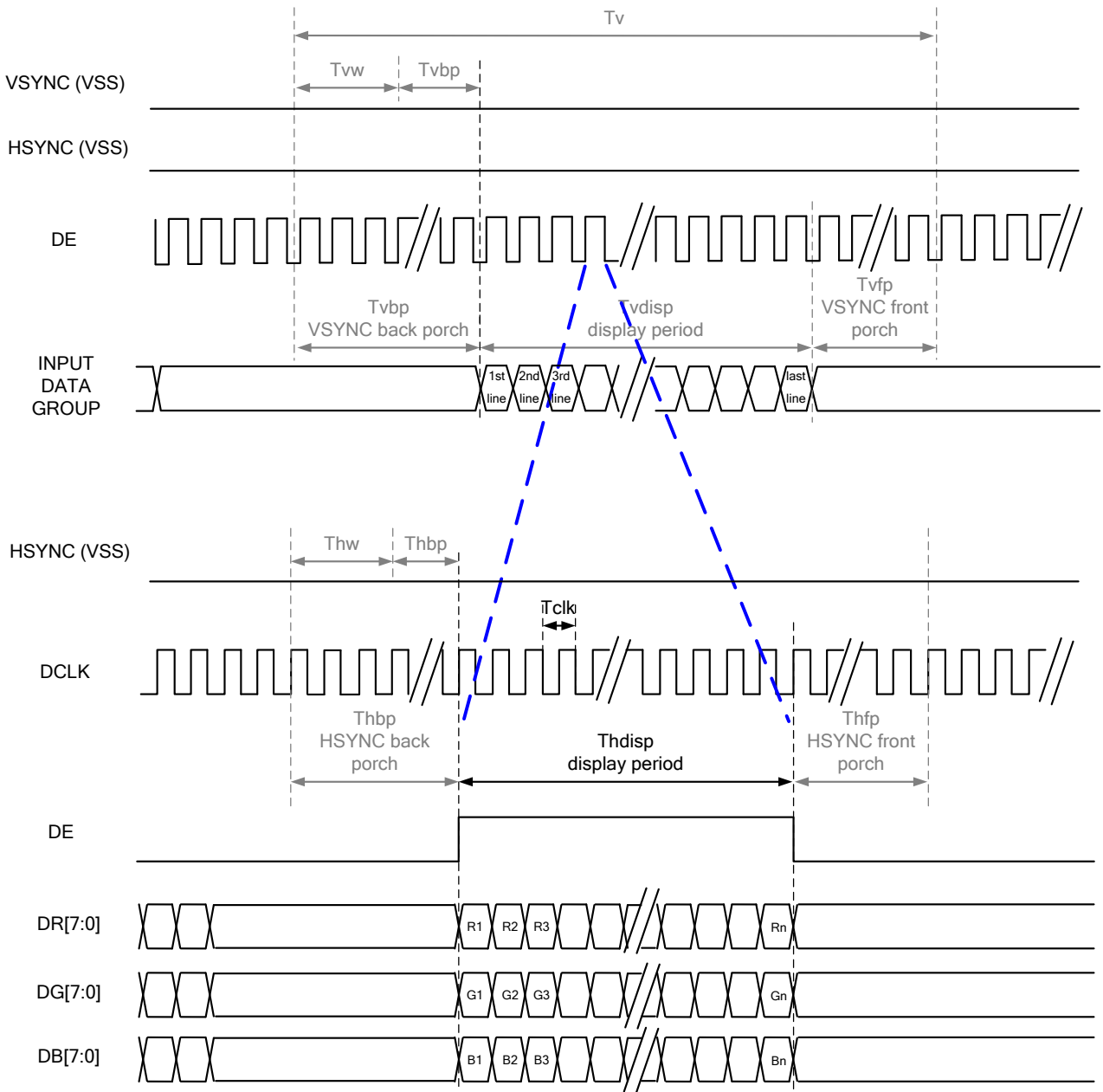
7.3.1 SYNC Mode



7.3.2 SYNC-DE Mode



7.3.3 DE Mode



RGB Mode Selection Table	DCLK	HSYNC	VSYNC	DE
SYNC - DE Mode	Input	Input	Input	Input
SYNC Mode	Input	Input	Input	GND
DE Mode	Input	GND	GND	Input

Note: "Input" means these signals are driven by host side.

7.3.4 Parallel 24-bit RGB Input Timing Table

Parallel 24-bit RGB Input Timing (PVDD=VDD=VDDI= 3.3V, AGND= 0V, TA=25°C)

Parallel 24-bit RGB Input Timing Table							
Item	Symbol	Min.	Typ.	Max.	Unit	Remark	
DCLK Frequency	Fclk	5	6	8	MHz		
DCLK Period	Tclk	125	167	200	ns		
HSYNC	Period Time	Th	325	371	438	DCLK	
	Display Period	Thdisp		320		DCLK	
	Back Porch	Thbp	3	43	43	DCLK	By H_BLANKING setting
	Front Porch	Thfp	2	8	75	DCLK	
	Pulse Width	Thw	2	4	43	DCLK	
VSYNC	Period Time	Tv	244	260	289	HSYNC	
	Display Period	Tvdisp		240		HSYNC	
	Back Porch	Tvbp	2	12	12	HSYNC	By V_BLANKING setting
	Front Porch	Tvfp	2	8	37	HSYNC	
	Pulse Width	Tvw	2	4	12	HSYNC	

Note: It is necessary to keep Tvbp =12 and Thbp =43 in sync mode. DE mode is unnecessary to keep it.

7.3.5 Serial 8-bit RGB Input Timing Table

Serial 8-bit RGB Input Timing (PVDD=VDD=VDDI= 3.3V, AGND= 0V, TA=25°C)

Serial 8-bit RGB Input Timing Table							
Item	Symbol	Min.	Typ.	Max.	Unit	Remark	
DCLK Frequency	Fclk	15	18	21	MHz		
DCLK Period	Tclk	47	55	66	ns		
HSYNC	Period Time	Th	965	1011	1078	DCLK	
	Display Period	Thdisp		960		DCLK	
	Back Porch	Thbp	3	43	43	DCLK	By H_BLANKING setting
	Front Porch	Thfp	2	8	75	DCLK	
	Pulse Width	Thw	2	4	43	DCLK	
VSYNC	Period Time	Tv	244	260	289	HSYNC	
	Display Period	Tvdisp		240		HSYNC	
	Back Porch	Tvbp	2	12	12	HSYNC	By V_BLANKING setting
	Front Porch	Tvfp	2	8	37	HSYNC	
	Pulse Width	Tvw	2	4	12	HSYNC	

Note: It is necessary to keep Tvbp =12 and Thbp =43 in sync mode. DE mode is unnecessary to keep it.

E mode is unnecessary to keep it.

8. REGISTER LIST

8.1 Register Summary

COMMAND TABLE 1									
Address	D7	D6	D5	D4	D3	D2	D1	D0	Default
10h	0	0	0	0	GRB	0	0	DISP	08h
11h	CONTRAST[7:0]								40h
12h	0	SUB_CONTRAST_R[6:0]							40h
13h	0	SUB_CONTRAST_B[6:0]							40h
14h	BRIGHTNESS[7:0]								40h
15h	0	SUB_BRIGHTNESS_R[6:0]							40h
16h	0	SUB_BRIGHTNESS_B[6:0]							40h
17h	H_BLANKING[7:0]								2Bh
18h	V_BLANKING[7:0]								0Ch
19h	MVA_TN	VDIR	HDIR	SBGR	VDPOL	HDPOL	DEPOL	DCLKPOL	6Dh
1Ah	1	1	1	1	0	RGBSWAP	RGBMODE[1:0]		F7h
1Bh	0	0	0	0	1	AUTODL	0	0	0Ch
1Ch	0	0	PICSEC[1:0]		AUTOBIST	PICSEL [2:0]			38h
COMMAND TABLE 2									
Address	D7	D6	D5	D4	D3	D2	D1	D0	Default
40h	0	1	VRHP[5:0]						--
41h	0	VRHN[6:0]							--
44h	0	1	MODE[1:0]		AVCLS[1:0]		AVDDS[1:0]		--
45h	0	0	0	0	VGLSEL[1:0]		VGHSEL[1:0]		--
46h	T4T[1:0]		T3T[1:0]		T2T[1:0]		T1T[1:0]		--
47h	0	0	0	0	0	SOURCE_AP[2:0]			--
49h	0	NO[2:0]			0	Reserved[2:0]			--
4Ah	0	PRGB_GWIDTH[2:0]			0	SRGB_GWIDTH[2:0]			--

Note:

1. When GRB is "Low", all registers reset to default values.
2. Symbol "--" means this value is OTP setting according to parameters of system application, panel loading and display quality.
3. Do not use instructions not listed in these tables.

GAMMA COMMAND TABLE									
Address	D7	D6	D5	D4	D3	D2	D1	D0	Default
20h	0	0	0			VRF0P[4:0]			--
21h	0	0	0			VOS0P[4:0]			--
22h		PFP0[2:0]				PKP0[4:0]			--
23h		PFP1[2:0]				PKP1[4:0]			--
24h		PFP2[2:0]				PKP2[4:0]			--
25h		PFP3[2:0]				PKP3[4:0]			--
26h		PFP4[2:0]				PKP4[4:0]			--
27h		PFP5[2:0]				PKP5[4:0]			--
28h		PFP6[2:0]				PKP6[4:0]			--
29h	0	0	0			PKP7[4:0]			--
30h	0	0	0			VRF0N[4:0]			--
31h	0	0	0			VOS0N[4:0]			--
32h		PFN0[2:0]				PKN0[4:0]			--
33h		PFN1[2:0]				PKN1[4:0]			--
34h		PFN2[2:0]				PKN2[4:0]			--
35h		PFN3[2:0]				PKN3[4:0]			--
36h		PFN4[2:0]				PKN4[4:0]			--
37h		PFN5[2:0]				PKN5[4:0]			--
38h		PFN6[2:0]				PKN6[4:0]			--
39h	0	0	0			PKN7[4:0]			--

Note:

1. When GRB is "Low", all registers reset to default values.
2. Symbol "--" means this value is OTP setting according to parameters of system application, panel loading and display quality.
3. Do not use instructions not listed in these tables.

OTP COMMAND TABLE										
Address	D7	D6	D5	D4	D3	D2	D1	D0	Default	
01h	0	ID1[6:0]								7Fh
02h	0	ID2[6:0]								7Fh
03h	0	ID3[6:0]								7Fh
04h	0	I ² CID[6:0]								78h
05h	0	VMF[6:0]								40h
60h	0	1	0	0	0	INTVPP	OTPEN	0	00h	
65h	OTPACK[7:0]									00h
66h	0	0	0	0	0	VMF OTP TIME[2:0]			03h	
67h	0	0	0	0	0	CMD2 OTP TIME[2:0]			03h	
68h	0	0	0	0	0	GAMMA OTP TIME[2:0]			03h	
69h	0	0	0	0	0	ID1 OTP TIME[2:0]			03h	
6Ah	0	0	0	0	0	ID2 OTP TIME[2:0]			03h	
6Bh	0	0	0	0	0	ID3 OTP TIME[2:0]			03h	
6Ch	0	0	0	0	0	I ² CID OTP TIME[2:0]			03h	

Note:

1. When GRB is "Low", all registers reset to default values.
2. Symbol "--" means this value is OTP setting according to parameters of system application, panel loading and display quality.
3. Do not use instructions not listed in these tables.

8.2 Command Table1 Register Description

8.2.1 GRB、DISP CONTROL (10h)

Address	TYPE	D7	D6	D5	D4	D3	D2	D1	D0	Default
10h	R/W	0	0	0	0	GRB	0	0	DISP	08h

Designation	Description
GRB	Reset register setting GRB=0: reset all registers to default value GRB=1: normal operation
DISP	Standby (power saving) mode setting DISP=0: standby mode DISP=1: normal mode

8.2.2 CONTRAST (11h)

Address	TYPE	D7	D6	D5	D4	D3	D2	D1	D0	Default
11h	R/W	CONTRAST[7:0]								40h

Designation	Description
CONTRAST[7:0]	Set RGB contrast level, the range of gain is 0~3.984 CONTRAST=00h: contrast gain=0 CONTRAST=40h: contrast gain=1 CONTRAST=FFh: contrast gain=3.984

8.2.3 SUB_CONTRAST_R (12h)

Address	TYPE	D7	D6	D5	D4	D3	D2	D1	D0	Default
12h	R/W	0	SUB_CONTRAST_R[6:0]							40h

Designation	Description
SUB_CONTRAST_R[6:0]	Set red color sub-contrast level, the range of gain is 0.75~1.246 SUB_CONTRAST_R=00h: contrast gain=0.75 SUB_CONTRAST_R=40h: contrast gain=1 SUB_CONTRAST_R=7Fh: contrast gain=1.246

8.2.4 SUB_CONTRAST_B (13h)

Address	TYPE	D7	D6	D5	D4	D3	D2	D1	D0	Default
13h	R/W	0	SUB_CONTRAST_B[6:0]							40h

Designation	Description
SUB_CONTRAST_B[6:0]	Set blue color sub-contrast level, the range of gain is 0.75~1.246 SUB_CONTRAST_B=00h: contrast gain=0.75 SUB_CONTRAST_B=40h: contrast gain=1 SUB_CONTRAST_B=7Fh: contrast gain=1.246

8.2.5 BRIGHTNESS (14h)

Address	TYPE	D7	D6	D5	D4	D3	D2	D1	D0	Default
14h	R/W	BRIGHTNESS[7:0]								40h

Designation	Description
BRIGHTNESS[7:0]	Set RGB brightness level, the range of brightness is -64~+191 BRIGHTNESS=00h: -64 BRIGHTNESS=40h: 0 BRIGHTNESS=FFh: +191

8.2.6 SUB-BRIGHTNESS_R (15h)

Address	TYPE	D7	D6	D5	D4	D3	D2	D1	D0	Default
15h	R/W	0	SUB_BRIGHTNESS_R[6:0]							40h

Designation	Description
SUB_BRIGHTNESS_R [6:0]	Set red color sub-brightness level, the range of brightness is -64~+63 SUB_BRIGHTNESS_R=00h: -64 SUB_BRIGHTNESS_R=40h: 0 SUB_BRIGHTNESS_R=7Fh: +63

8.2.7 SUB-BRIGHTNESS_B (16h)

Address	TYPE	D7	D6	D5	D4	D3	D2	D1	D0	Default
16h	R/W	0	SUB_BRIGHTNESS_B[6:0]							40h

Designation	Description
SUB_BRIGHTNESS_B [6:0]	Set blue color sub-brightness level, the range of brightness is -64~+63 SUB_BRIGHTNESS_B=00h: -64 SUB_BRIGHTNESS_B=40h: 0 SUB_BRIGHTNESS_B=7Fh: +63

8.2.8 H_BLANKING (17h)

Address	TYPE	D7	D6	D5	D4	D3	D2	D1	D0	Default
17h	R/W	H_BLANKING[7:0]								2Bh

Designation	Description
H_BLANKING[7:0]	The HSYNC back porch setting of RGB interface

8.2.9 V_BLANKING (18h)

Address	TYPE	D7	D6	D5	D4	D3	D2	D1	D0	Default
18h	R/W	V_BLANKING[7:0]								0Ch

Designation	Description
V_BLANKING[7:0]	The VSYNC back porch setting of RGB interface

8.2.10 DISPLAY MODE SETTING (19h)

Address	TYPE	D7	D6	D5	D4	D3	D2	D1	D0	Default
19h	R/W	MVA_TN	VDIR	HDIR	SBGR	VDPOL	HDPOL	DEPOL	DCLKPOL	6Dh

Designation	Description
MVA_TN	MVA_TN=0: TN mode for panel display. MVA_TN=1: VA mode for panel display.
VDIR	Vertical scan direction setting VDIR= 0: from bottom to top, L544(first line) → L543 →...→ L2 → L1(last line) VDIR= 1: from top to bottom, L1(first line) → L2 →...→ L543 → L544(last line)
HDIR	Horizontal scan direction setting HDIR= 0: from right to left, Y720(first data) → Y719 →...→ Y2 → Y1(last data) HDIR= 1: from left to right, Y1(first data) → Y2 →...→ Y719 → Y720(last data)
SBGR	Data of red and blue exchange SBGR= 0: normal, DR[7:0]→DR[7:0] and DB[7:0]→DB[7:0] SBGR= 1: exchange, DR[7:0]→DB[7:0] and DB[7:0]→DR[7:0]
VDPOL	VSYNC polarity setting VDPOL= 0: positive polarity VDPOL= 1: negative polarity
HDPOL	HSYNC polarity setting HDPOL= 0: positive polarity HDPOL= 1: negative polarity
DEPOL	DE polarity setting DEPOL= 0: positive polarity DEPOL= 1: negative polarity
DCLKPOL	DCLK polarity setting DCLKPOL= 0: positive Polarity DCLKPOL= 1: negative Polarity

8.2.11 RGB INTERFACE MODE SETTING (1Ah)

Address	TYPE	D7	D6	D5	D4	D3	D2	D1	D0	Default
1Ah	R/W	1	1	1	1	0	RGBSWAP	RGBMODE[1:0]		F7h

Designation	Description																																																																																																				
RGBSWAP	Set data format sequence of RGB interface																																																																																																				
	<table border="1"> <thead> <tr> <th>Pin Name</th> <th>Internal Data</th> <th>RGBSWAP=0</th> <th>RGBSWAP=1</th> </tr> </thead> <tbody> <tr><td>DR0</td><td>r0'</td><td>r0'</td><td>r7'</td></tr> <tr><td>DR1</td><td>r1'</td><td>r1'</td><td>r6'</td></tr> <tr><td>DR2</td><td>r2'</td><td>r2'</td><td>r5'</td></tr> <tr><td>DR3</td><td>r3'</td><td>r3'</td><td>r4'</td></tr> <tr><td>DR4</td><td>r4'</td><td>r4'</td><td>r3'</td></tr> <tr><td>DR5</td><td>r5'</td><td>r5'</td><td>r2'</td></tr> <tr><td>DR6</td><td>r6'</td><td>r6'</td><td>r1'</td></tr> <tr><td>DR7</td><td>r7'</td><td>r7'</td><td>r0'</td></tr> <tr><td>DG0</td><td>g0'</td><td>g0'</td><td>g7'</td></tr> <tr><td>DG1</td><td>g1'</td><td>g1'</td><td>g6'</td></tr> <tr><td>DG2</td><td>g2'</td><td>g2'</td><td>g5'</td></tr> <tr><td>DG3</td><td>g3'</td><td>g3'</td><td>g4'</td></tr> <tr><td>DG4</td><td>g4'</td><td>g4'</td><td>g3'</td></tr> <tr><td>DG5</td><td>g5'</td><td>g5'</td><td>g2'</td></tr> <tr><td>DG6</td><td>g6'</td><td>g6'</td><td>g1'</td></tr> <tr><td>DG7</td><td>g7'</td><td>g7'</td><td>g0'</td></tr> <tr><td>DB0</td><td>b0'</td><td>b0'</td><td>b7'</td></tr> <tr><td>DB1</td><td>b1'</td><td>b1'</td><td>b6'</td></tr> <tr><td>DB2</td><td>b2'</td><td>b2'</td><td>b5'</td></tr> <tr><td>DB3</td><td>b3'</td><td>b3'</td><td>b4'</td></tr> <tr><td>DB4</td><td>b4'</td><td>b4'</td><td>b3'</td></tr> <tr><td>DB5</td><td>b5'</td><td>b5'</td><td>b2'</td></tr> <tr><td>DB6</td><td>b6'</td><td>b6'</td><td>b1'</td></tr> <tr><td>DB7</td><td>b7'</td><td>b7'</td><td>b0'</td></tr> </tbody> </table>	Pin Name	Internal Data	RGBSWAP=0	RGBSWAP=1	DR0	r0'	r0'	r7'	DR1	r1'	r1'	r6'	DR2	r2'	r2'	r5'	DR3	r3'	r3'	r4'	DR4	r4'	r4'	r3'	DR5	r5'	r5'	r2'	DR6	r6'	r6'	r1'	DR7	r7'	r7'	r0'	DG0	g0'	g0'	g7'	DG1	g1'	g1'	g6'	DG2	g2'	g2'	g5'	DG3	g3'	g3'	g4'	DG4	g4'	g4'	g3'	DG5	g5'	g5'	g2'	DG6	g6'	g6'	g1'	DG7	g7'	g7'	g0'	DB0	b0'	b0'	b7'	DB1	b1'	b1'	b6'	DB2	b2'	b2'	b5'	DB3	b3'	b3'	b4'	DB4	b4'	b4'	b3'	DB5	b5'	b5'	b2'	DB6	b6'	b6'	b1'	DB7	b7'	b7'	b0'
	Pin Name	Internal Data	RGBSWAP=0	RGBSWAP=1																																																																																																	
	DR0	r0'	r0'	r7'																																																																																																	
	DR1	r1'	r1'	r6'																																																																																																	
	DR2	r2'	r2'	r5'																																																																																																	
	DR3	r3'	r3'	r4'																																																																																																	
	DR4	r4'	r4'	r3'																																																																																																	
	DR5	r5'	r5'	r2'																																																																																																	
	DR6	r6'	r6'	r1'																																																																																																	
	DR7	r7'	r7'	r0'																																																																																																	
	DG0	g0'	g0'	g7'																																																																																																	
	DG1	g1'	g1'	g6'																																																																																																	
	DG2	g2'	g2'	g5'																																																																																																	
	DG3	g3'	g3'	g4'																																																																																																	
	DG4	g4'	g4'	g3'																																																																																																	
	DG5	g5'	g5'	g2'																																																																																																	
	DG6	g6'	g6'	g1'																																																																																																	
	DG7	g7'	g7'	g0'																																																																																																	
	DB0	b0'	b0'	b7'																																																																																																	
	DB1	b1'	b1'	b6'																																																																																																	
DB2	b2'	b2'	b5'																																																																																																		
DB3	b3'	b3'	b4'																																																																																																		
DB4	b4'	b4'	b3'																																																																																																		
DB5	b5'	b5'	b2'																																																																																																		
DB6	b6'	b6'	b1'																																																																																																		
DB7	b7'	b7'	b0'																																																																																																		
RGBMODE[1:0]	Set color format of RGB interface																																																																																																				
	<table border="1"> <thead> <tr> <th>RGBMODE [1:0]</th> <th>Color Format</th> </tr> </thead> <tbody> <tr><td>00</td><td>256-gray mono display</td></tr> <tr><td>01</td><td>64K</td></tr> <tr><td>10</td><td>262K</td></tr> <tr><td>11</td><td>16.7M</td></tr> </tbody> </table>	RGBMODE [1:0]	Color Format	00	256-gray mono display	01	64K	10	262K	11	16.7M																																																																																										
	RGBMODE [1:0]	Color Format																																																																																																			
	00	256-gray mono display																																																																																																			
	01	64K																																																																																																			
10	262K																																																																																																				
11	16.7M																																																																																																				

8.2.12 ERROR REPORT AND OTP AUTO DOWNLOAD CONTROL (1Bh)

Address	TYPE	D7	D6	D5	D4	D3	D2	D1	D0	Default
1Bh	R/W	0	0	0	0	1	AUTODL	0	0	0Ch

Designation	Description
AUTODL	Multi-OTP auto-refresh function control AUTODL= 0: disable auto-refresh function AUTODL= 1: enable auto-refresh function

8.2.13 BIST FUNCTION SETTING (1Ch)

Address	TYPE	D7	D6	D5	D4	D3	D2	D1	D0	Default
1Ch	R/W	0	0	PICSEC[1:0]		AUTOBIST	PICSEL[2:0]			38h

Designation	Description																		
PICSEC[1:0]	The time interval of test pattern in the BIST mode																		
	<table border="1"> <thead> <tr> <th>PICSEC[1:0]</th> <th>Time(sec)</th> </tr> </thead> <tbody> <tr> <td>00</td> <td>0.5</td> </tr> <tr> <td>01</td> <td>1</td> </tr> <tr> <td>10</td> <td>1.5</td> </tr> <tr> <td>11</td> <td>2</td> </tr> </tbody> </table>	PICSEC[1:0]	Time(sec)	00	0.5	01	1	10	1.5	11	2								
	PICSEC[1:0]	Time(sec)																	
	00	0.5																	
	01	1																	
10	1.5																		
11	2																		
AUTOBIST	Auto display pattern control in the BIST mode AUTOBIST=0: Disable auto display mode AUTOBIST=1: Enable auto display mode																		
PICSEL[2:0]	BIST pattern selection																		
	<table border="1"> <thead> <tr> <th>PICSEL [2:0]</th> <th>Display Pattern</th> </tr> </thead> <tbody> <tr> <td>000</td> <td>Black</td> </tr> <tr> <td>001</td> <td>White</td> </tr> <tr> <td>010</td> <td>Red</td> </tr> <tr> <td>011</td> <td>Green</td> </tr> <tr> <td>100</td> <td>Blue</td> </tr> <tr> <td>101</td> <td>Black</td> </tr> <tr> <td>110</td> <td>Black</td> </tr> <tr> <td>111</td> <td>Black</td> </tr> </tbody> </table>	PICSEL [2:0]	Display Pattern	000	Black	001	White	010	Red	011	Green	100	Blue	101	Black	110	Black	111	Black
	PICSEL [2:0]	Display Pattern																	
	000	Black																	
	001	White																	
	010	Red																	
	011	Green																	
	100	Blue																	
	101	Black																	
110	Black																		
111	Black																		

8.3 Command Table2 Register Description

8.3.1 GVDD SETTING (40h)

Address	TYPE	D7	D6	D5	D4	D3	D2	D1	D0	Default
40h	R/W	0	1	VRHP[5:0]						--

Designation	Description							
VRHP[5:0]	GVDD level setting							
	VRHP[5:0]	GVDD	VRHP[5:0]	GVDD	VRHP[5:0]	GVDD	VRHP[5:0]	GVDD
	000000	5.9680	010000	5.7120	100000	5.4560	110000	5.2000
	000001	5.9520	010001	5.6960	100001	5.4400	110001	5.1840
	000010	5.9360	010010	5.6800	100010	5.4240	110010	5.1680
	000011	5.9200	010011	5.6640	100011	5.4080	110011	5.1520
	000100	5.9040	010100	5.6480	100100	5.3920	110100	5.1360
	000101	5.8880	010101	5.6320	100101	5.3760	110101	5.1200
	000110	5.8720	010110	5.6160	100110	5.3600	110110	5.1040
	000111	5.8560	010111	5.6000	100111	5.3440	110111	5.0880
	001000	5.8400	011000	5.5840	101000	5.3280	111000	5.0720
	001001	5.8240	011001	5.5680	101001	5.3120	111001	5.0560
	001010	5.8080	011010	5.5520	101010	5.2960	111010	5.0400
	001011	5.7920	011011	5.5360	101011	5.2800	111011	5.0240
	001100	5.7760	011100	5.5200	101100	5.2640	111100	5.0080
	001101	5.7600	011101	5.5040	101101	5.2480	111101	4.9920
	001110	5.7440	011110	5.4880	101110	5.2320	111110	4.9760
	001111	5.7280	011111	5.4720	101111	5.2160	111111	4.9600

8.3.2 GVCL SETTING (41h)

Address	TYPE	D7	D6	D5	D4	D3	D2	D1	D0	Default
41h	R/W	0	VRHN[6:0]							--

Designation	Description																																																																																																																																																																																																								
VRHN[6:0]	GVCL level setting																																																																																																																																																																																																								
	<table border="1"> <thead> <tr> <th>VRHN[6:0]</th> <th>GVCL</th> <th>VRHN[6:0]</th> <th>GVCL</th> <th>VRHN[6:0]</th> <th>GVCL</th> <th>VRHN[6:0]</th> <th>GVCL</th> </tr> </thead> <tbody> <tr><td>0100000</td><td>-4.4800</td><td>0111000</td><td>-4.0960</td><td>1010000</td><td>-3.7120</td><td>1101000</td><td>-3.3280</td></tr> <tr><td>0100001</td><td>-4.4640</td><td>0111001</td><td>-4.0800</td><td>1010001</td><td>-3.6960</td><td>1101001</td><td>-3.3120</td></tr> <tr><td>0100010</td><td>-4.448</td><td>0111010</td><td>-4.0640</td><td>1010010</td><td>-3.6800</td><td>1101010</td><td>-3.2960</td></tr> <tr><td>0100011</td><td>-4.4320</td><td>0111011</td><td>-4.0480</td><td>1010011</td><td>-3.6640</td><td>1101011</td><td>-3.2800</td></tr> <tr><td>0100100</td><td>-4.4160</td><td>0111100</td><td>-4.0320</td><td>1010100</td><td>-3.6480</td><td>1101100</td><td>-3.2640</td></tr> <tr><td>0100101</td><td>-4.4000</td><td>0111101</td><td>-4.0160</td><td>1010101</td><td>-3.6320</td><td>1101101</td><td>-3.2480</td></tr> <tr><td>0100110</td><td>-4.3840</td><td>0111110</td><td>-4.0000</td><td>1010110</td><td>-3.6160</td><td>1101110</td><td>-3.2320</td></tr> <tr><td>0100111</td><td>-4.3680</td><td>0111111</td><td>-3.9840</td><td>1010111</td><td>-3.6000</td><td>1101111</td><td>-3.2160</td></tr> <tr><td>0101000</td><td>-4.3520</td><td>1000000</td><td>-3.9680</td><td>1011000</td><td>-3.5840</td><td>1110000</td><td>-3.2000</td></tr> <tr><td>0101001</td><td>-4.3360</td><td>1000001</td><td>-3.9520</td><td>1011001</td><td>-3.5680</td><td>1110001</td><td>-3.1840</td></tr> <tr><td>0101010</td><td>-4.3200</td><td>1000010</td><td>-3.9360</td><td>1011010</td><td>-3.5520</td><td>1110010</td><td>-3.1680</td></tr> <tr><td>0101011</td><td>-4.3040</td><td>1000011</td><td>-3.9200</td><td>1011011</td><td>-3.5360</td><td>1110011</td><td>-3.1520</td></tr> <tr><td>0101100</td><td>-4.2880</td><td>1000100</td><td>-3.9040</td><td>1011100</td><td>-3.5200</td><td>1110100</td><td>-3.1360</td></tr> <tr><td>0101101</td><td>-4.2720</td><td>1000101</td><td>-3.8880</td><td>1011101</td><td>-3.5040</td><td>1110101</td><td>-3.1200</td></tr> <tr><td>0101110</td><td>-4.2560</td><td>1000110</td><td>-3.8720</td><td>1011110</td><td>-3.4880</td><td>1110110</td><td>-3.1040</td></tr> <tr><td>0101111</td><td>-4.2400</td><td>1000111</td><td>-3.8560</td><td>1011111</td><td>-3.4720</td><td>1110111</td><td>-3.0880</td></tr> <tr><td>0110000</td><td>-4.2240</td><td>1001000</td><td>-3.8400</td><td>1100000</td><td>-3.4560</td><td>1111000</td><td>-3.0720</td></tr> <tr><td>0110001</td><td>-4.2080</td><td>1001001</td><td>-3.8240</td><td>1100001</td><td>-3.4400</td><td>1111001</td><td>-3.0560</td></tr> <tr><td>0110010</td><td>-4.1920</td><td>1001010</td><td>-3.8080</td><td>1100010</td><td>-3.4240</td><td>1111010</td><td>-3.0400</td></tr> <tr><td>0110011</td><td>-4.1760</td><td>1001011</td><td>-3.7920</td><td>1100011</td><td>-3.4080</td><td>1111011</td><td>-3.0240</td></tr> <tr><td>0110100</td><td>-4.1600</td><td>1001100</td><td>-3.7760</td><td>1100100</td><td>-3.3920</td><td>1111100</td><td>-3.0080</td></tr> <tr><td>0110101</td><td>-4.1440</td><td>1001101</td><td>-3.7600</td><td>1100101</td><td>-3.3760</td><td>1111101</td><td>-2.9920</td></tr> <tr><td>0110110</td><td>-4.1280</td><td>1001110</td><td>-3.7440</td><td>1100110</td><td>-3.3600</td><td>1111110</td><td>-2.9760</td></tr> <tr><td>0110111</td><td>-4.1120</td><td>1001111</td><td>-3.7280</td><td>1100111</td><td>-3.3440</td><td>1111111</td><td>-2.9600</td></tr> </tbody> </table>	VRHN[6:0]	GVCL	VRHN[6:0]	GVCL	VRHN[6:0]	GVCL	VRHN[6:0]	GVCL	0100000	-4.4800	0111000	-4.0960	1010000	-3.7120	1101000	-3.3280	0100001	-4.4640	0111001	-4.0800	1010001	-3.6960	1101001	-3.3120	0100010	-4.448	0111010	-4.0640	1010010	-3.6800	1101010	-3.2960	0100011	-4.4320	0111011	-4.0480	1010011	-3.6640	1101011	-3.2800	0100100	-4.4160	0111100	-4.0320	1010100	-3.6480	1101100	-3.2640	0100101	-4.4000	0111101	-4.0160	1010101	-3.6320	1101101	-3.2480	0100110	-4.3840	0111110	-4.0000	1010110	-3.6160	1101110	-3.2320	0100111	-4.3680	0111111	-3.9840	1010111	-3.6000	1101111	-3.2160	0101000	-4.3520	1000000	-3.9680	1011000	-3.5840	1110000	-3.2000	0101001	-4.3360	1000001	-3.9520	1011001	-3.5680	1110001	-3.1840	0101010	-4.3200	1000010	-3.9360	1011010	-3.5520	1110010	-3.1680	0101011	-4.3040	1000011	-3.9200	1011011	-3.5360	1110011	-3.1520	0101100	-4.2880	1000100	-3.9040	1011100	-3.5200	1110100	-3.1360	0101101	-4.2720	1000101	-3.8880	1011101	-3.5040	1110101	-3.1200	0101110	-4.2560	1000110	-3.8720	1011110	-3.4880	1110110	-3.1040	0101111	-4.2400	1000111	-3.8560	1011111	-3.4720	1110111	-3.0880	0110000	-4.2240	1001000	-3.8400	1100000	-3.4560	1111000	-3.0720	0110001	-4.2080	1001001	-3.8240	1100001	-3.4400	1111001	-3.0560	0110010	-4.1920	1001010	-3.8080	1100010	-3.4240	1111010	-3.0400	0110011	-4.1760	1001011	-3.7920	1100011	-3.4080	1111011	-3.0240	0110100	-4.1600	1001100	-3.7760	1100100	-3.3920	1111100	-3.0080	0110101	-4.1440	1001101	-3.7600	1100101	-3.3760	1111101	-2.9920	0110110	-4.1280	1001110	-3.7440	1100110	-3.3600	1111110	-2.9760	0110111	-4.1120	1001111	-3.7280	1100111	-3.3440	1111111	-2.9600
	VRHN[6:0]	GVCL	VRHN[6:0]	GVCL	VRHN[6:0]	GVCL	VRHN[6:0]	GVCL																																																																																																																																																																																																	
	0100000	-4.4800	0111000	-4.0960	1010000	-3.7120	1101000	-3.3280																																																																																																																																																																																																	
	0100001	-4.4640	0111001	-4.0800	1010001	-3.6960	1101001	-3.3120																																																																																																																																																																																																	
	0100010	-4.448	0111010	-4.0640	1010010	-3.6800	1101010	-3.2960																																																																																																																																																																																																	
	0100011	-4.4320	0111011	-4.0480	1010011	-3.6640	1101011	-3.2800																																																																																																																																																																																																	
	0100100	-4.4160	0111100	-4.0320	1010100	-3.6480	1101100	-3.2640																																																																																																																																																																																																	
	0100101	-4.4000	0111101	-4.0160	1010101	-3.6320	1101101	-3.2480																																																																																																																																																																																																	
	0100110	-4.3840	0111110	-4.0000	1010110	-3.6160	1101110	-3.2320																																																																																																																																																																																																	
	0100111	-4.3680	0111111	-3.9840	1010111	-3.6000	1101111	-3.2160																																																																																																																																																																																																	
	0101000	-4.3520	1000000	-3.9680	1011000	-3.5840	1110000	-3.2000																																																																																																																																																																																																	
	0101001	-4.3360	1000001	-3.9520	1011001	-3.5680	1110001	-3.1840																																																																																																																																																																																																	
	0101010	-4.3200	1000010	-3.9360	1011010	-3.5520	1110010	-3.1680																																																																																																																																																																																																	
	0101011	-4.3040	1000011	-3.9200	1011011	-3.5360	1110011	-3.1520																																																																																																																																																																																																	
	0101100	-4.2880	1000100	-3.9040	1011100	-3.5200	1110100	-3.1360																																																																																																																																																																																																	
	0101101	-4.2720	1000101	-3.8880	1011101	-3.5040	1110101	-3.1200																																																																																																																																																																																																	
	0101110	-4.2560	1000110	-3.8720	1011110	-3.4880	1110110	-3.1040																																																																																																																																																																																																	
	0101111	-4.2400	1000111	-3.8560	1011111	-3.4720	1110111	-3.0880																																																																																																																																																																																																	
	0110000	-4.2240	1001000	-3.8400	1100000	-3.4560	1111000	-3.0720																																																																																																																																																																																																	
	0110001	-4.2080	1001001	-3.8240	1100001	-3.4400	1111001	-3.0560																																																																																																																																																																																																	
	0110010	-4.1920	1001010	-3.8080	1100010	-3.4240	1111010	-3.0400																																																																																																																																																																																																	
	0110011	-4.1760	1001011	-3.7920	1100011	-3.4080	1111011	-3.0240																																																																																																																																																																																																	
	0110100	-4.1600	1001100	-3.7760	1100100	-3.3920	1111100	-3.0080																																																																																																																																																																																																	
0110101	-4.1440	1001101	-3.7600	1100101	-3.3760	1111101	-2.9920																																																																																																																																																																																																		
0110110	-4.1280	1001110	-3.7440	1100110	-3.3600	1111110	-2.9760																																																																																																																																																																																																		
0110111	-4.1120	1001111	-3.7280	1100111	-3.3440	1111111	-2.9600																																																																																																																																																																																																		

8.3.3 AVDD, AVCL SETTING (44h)

Address	TYPE	D7	D6	D5	D4	D3	D2	D1	D0	Default
44h	R/W	0	1	MODE[1:0]		AVCLS[1:0]		AVDDS[1:0]		--

Designation	Description										
MODE[1:0]	AVDD booster mode setting										
	<table border="1"> <thead> <tr> <th>MODE[1:0]</th> <th>AVDD Booster Setting</th> </tr> </thead> <tbody> <tr> <td>00</td> <td>booster: x3</td> </tr> <tr> <td>01</td> <td>booster: x2</td> </tr> <tr> <td>10</td> <td>booster auto-detect, reference voltage: VDD:3.0V</td> </tr> <tr> <td>11</td> <td>booster auto-detect, reference voltage: VDD:3.1V</td> </tr> </tbody> </table>	MODE[1:0]	AVDD Booster Setting	00	booster: x3	01	booster: x2	10	booster auto-detect, reference voltage: VDD:3.0V	11	booster auto-detect, reference voltage: VDD:3.1V
	MODE[1:0]	AVDD Booster Setting									
	00	booster: x3									
	01	booster: x2									
10	booster auto-detect, reference voltage: VDD:3.0V										
11	booster auto-detect, reference voltage: VDD:3.1V										
AVCLS[1:0]	AVCL level setting										
	<table border="1"> <thead> <tr> <th>AVCLS[1:0]</th> <th>AVCL (V)</th> </tr> </thead> <tbody> <tr> <td>00</td> <td>-4.2</td> </tr> <tr> <td>01</td> <td>-4.6</td> </tr> <tr> <td>10</td> <td>Reserved</td> </tr> <tr> <td>11</td> <td>Reserved</td> </tr> </tbody> </table>	AVCLS[1:0]	AVCL (V)	00	-4.2	01	-4.6	10	Reserved	11	Reserved
	AVCLS[1:0]	AVCL (V)									
	00	-4.2									
	01	-4.6									
10	Reserved										
11	Reserved										
AVDDS[1:0]	AVDD level setting										
	<table border="1"> <thead> <tr> <th>AVDDS[1:0]</th> <th>AVDD (V)</th> </tr> </thead> <tbody> <tr> <td>00</td> <td>6.2</td> </tr> <tr> <td>01</td> <td>6.4</td> </tr> <tr> <td>10</td> <td>Reserved</td> </tr> <tr> <td>11</td> <td>Reserved</td> </tr> </tbody> </table>	AVDDS[1:0]	AVDD (V)	00	6.2	01	6.4	10	Reserved	11	Reserved
	AVDDS[1:0]	AVDD (V)									
	00	6.2									
	01	6.4									
10	Reserved										
11	Reserved										

8.3.4 VGH, VGL SETTING (45h)

Address	TYPE	D7	D6	D5	D4	D3	D2	D1	D0	Default
45h	R/W	0	0	0	0	VGLSEL[1:0]		VGHSEL[1:0]		--

Designation	Description										
VGLSEL[1:0]	VGL level setting										
	<table border="1"> <thead> <tr> <th>VGLSEL[1:0]</th> <th>VGL (V)</th> </tr> </thead> <tbody> <tr> <td>00</td> <td>-7</td> </tr> <tr> <td>01</td> <td>-8</td> </tr> <tr> <td>10</td> <td>-10</td> </tr> <tr> <td>11</td> <td>-11</td> </tr> </tbody> </table>	VGLSEL[1:0]	VGL (V)	00	-7	01	-8	10	-10	11	-11
	VGLSEL[1:0]	VGL (V)									
	00	-7									
	01	-8									
10	-10										
11	-11										
VGHSEL[1:0]	VGH level setting										
	<table border="1"> <thead> <tr> <th>VGHSEL[1:0]</th> <th>VGH (V)</th> </tr> </thead> <tbody> <tr> <td>00</td> <td>13</td> </tr> <tr> <td>01</td> <td>15</td> </tr> <tr> <td>10</td> <td>16</td> </tr> <tr> <td>11</td> <td>16.5</td> </tr> </tbody> </table>	VGHSEL[1:0]	VGH (V)	00	13	01	15	10	16	11	16.5
	VGHSEL[1:0]	VGH (V)									
	00	13									
	01	15									
10	16										
11	16.5										

8.3.5 SOURCE EQUALIZE TIME SETTING (46h)

Address	TYPE	D7	D6	D5	D4	D3	D2	D1	D0	Default
46h	R/W	T4T[1:0]		T3T[1:0]		T2T[1:0]		T1T[1:0]		--

Designation	Description																																								
T4T[1:0] T3T[1:0] T2T[1:0] T1T[1:0]	<p>Source equalizing T4 timing setting</p> <table border="1"> <thead> <tr> <th>T4T[1:0]</th> <th>T4 (DCLK)</th> </tr> </thead> <tbody> <tr> <td>00</td> <td>4</td> </tr> <tr> <td>01</td> <td>8</td> </tr> <tr> <td>10</td> <td>17</td> </tr> <tr> <td>11</td> <td>26</td> </tr> </tbody> </table> <p>Source equalizing T3 timing setting</p> <table border="1"> <thead> <tr> <th>T3T[1:0]</th> <th>T3 (DCLK)</th> </tr> </thead> <tbody> <tr> <td>00</td> <td>0.5</td> </tr> <tr> <td>01</td> <td>8</td> </tr> <tr> <td>10</td> <td>17</td> </tr> <tr> <td>11</td> <td>26</td> </tr> </tbody> </table> <p>Source equalizing T2 timing setting</p> <table border="1"> <thead> <tr> <th>T2T[1:0]</th> <th>T2 (DCLK)</th> </tr> </thead> <tbody> <tr> <td>00</td> <td>0.5</td> </tr> <tr> <td>01</td> <td>8</td> </tr> <tr> <td>10</td> <td>17</td> </tr> <tr> <td>11</td> <td>26</td> </tr> </tbody> </table> <p>Source equalizing T1 timing setting</p> <table border="1"> <thead> <tr> <th>T1T[1:0]</th> <th>T1 (DCLK)</th> </tr> </thead> <tbody> <tr> <td>00</td> <td>OFF</td> </tr> <tr> <td>01</td> <td>8</td> </tr> <tr> <td>10</td> <td>17</td> </tr> <tr> <td>11</td> <td>26</td> </tr> </tbody> </table> <p>Note: The above source equalize timing table is only for 480RGB X 272 resolution application.</p>	T4T[1:0]	T4 (DCLK)	00	4	01	8	10	17	11	26	T3T[1:0]	T3 (DCLK)	00	0.5	01	8	10	17	11	26	T2T[1:0]	T2 (DCLK)	00	0.5	01	8	10	17	11	26	T1T[1:0]	T1 (DCLK)	00	OFF	01	8	10	17	11	26
	T4T[1:0]	T4 (DCLK)																																							
	00	4																																							
	01	8																																							
	10	17																																							
11	26																																								
T3T[1:0]	T3 (DCLK)																																								
00	0.5																																								
01	8																																								
10	17																																								
11	26																																								
T2T[1:0]	T2 (DCLK)																																								
00	0.5																																								
01	8																																								
10	17																																								
11	26																																								
T1T[1:0]	T1 (DCLK)																																								
00	OFF																																								
01	8																																								
10	17																																								
11	26																																								

8.3.6 SOURCE OP-AMP POWER SETTING (47h)

Address	TYPE	D7	D6	D5	D4	D3	D2	D1	D0	Default
47h	R/W	0	0	0	0	0	SOURCE_AP[2:0]			--

Designation	Description																		
SOURCE_AP[2:0]	Source driving ability setting. When value is higher, the source output current will increase.																		
	<table border="1"> <thead> <tr> <th>SOURCE_AP[2:0]</th> <th>Source Power</th> </tr> </thead> <tbody> <tr> <td>000</td> <td>Level 1 (lowest)</td> </tr> <tr> <td>001</td> <td>Level 2 (minimal)</td> </tr> <tr> <td>010</td> <td>Level 3 (minimal to medium)</td> </tr> <tr> <td>011</td> <td>Level 4 (medium)</td> </tr> <tr> <td>100</td> <td>Level 5 (medium to large)</td> </tr> <tr> <td>101</td> <td>Level 6 (large)</td> </tr> <tr> <td>110</td> <td>Level 7 (large to highest)</td> </tr> <tr> <td>111</td> <td>Level 8 (highest)</td> </tr> </tbody> </table>	SOURCE_AP[2:0]	Source Power	000	Level 1 (lowest)	001	Level 2 (minimal)	010	Level 3 (minimal to medium)	011	Level 4 (medium)	100	Level 5 (medium to large)	101	Level 6 (large)	110	Level 7 (large to highest)	111	Level 8 (highest)
	SOURCE_AP[2:0]	Source Power																	
	000	Level 1 (lowest)																	
	001	Level 2 (minimal)																	
	010	Level 3 (minimal to medium)																	
	011	Level 4 (medium)																	
	100	Level 5 (medium to large)																	
	101	Level 6 (large)																	
	110	Level 7 (large to highest)																	
111	Level 8 (highest)																		
<i>Note: The setting value needs to be adjusted according to the display performance.</i>																			

8.3.7 GATE TIMING SETTING 1 (49h)

Address	TYPE	D7	D6	D5	D4	D3	D2	D1	D0	Default
49h	R/W	0	NO[2:0]			0	Reserved[2:0]			--

Designation	Description																		
NO[2:0]	<p>The diagram illustrates the timing of gate pulses. Two gate pulses, T2 (Gate(n) width) and T3 (Gate(n+1) width), are shown. The time between the end of T2 and the start of T3 is labeled T1 (Gate non-overlap). A dashed line indicates the horizontal display period T4 (Horizontal display period) within the DE (Data Enable) signal.</p> <p>Gate (n) and Gate (n+1) non-overlap timing setting</p> <table border="1"> <thead> <tr> <th>NO[2:0]</th> <th>Gate non-overlap (DCLK)</th> </tr> </thead> <tbody> <tr> <td>000</td> <td>9</td> </tr> <tr> <td>001</td> <td>19</td> </tr> <tr> <td>010</td> <td>38</td> </tr> <tr> <td>011</td> <td>57</td> </tr> <tr> <td>100</td> <td>76</td> </tr> <tr> <td>101</td> <td>96</td> </tr> <tr> <td>110</td> <td>115</td> </tr> <tr> <td>111</td> <td>134</td> </tr> </tbody> </table>	NO[2:0]	Gate non-overlap (DCLK)	000	9	001	19	010	38	011	57	100	76	101	96	110	115	111	134
NO[2:0]	Gate non-overlap (DCLK)																		
000	9																		
001	19																		
010	38																		
011	57																		
100	76																		
101	96																		
110	115																		
111	134																		

8.3.8 GATE TIMING SETTING 2 (4Ah)

Address	TYPE	D7	D6	D5	D4	D3	D2	D1	D0	Default
4Ah	R/W	0		PRGB_GWIDTH[2:0]		0		SRGB_GWIDTH[2:0]		--

Designation	Description																											
PRGB_GWIDTH[2:0] SRGB_GWIDTH[2:0]	<p>The diagram illustrates the gate timing for parallel RGB interfaces. It shows two gate pulses, T2 (Gate(n) width) and T3 (Gate(n+1) width), with a non-overlap time T1 between them. A horizontal display period T4 is shown below, corresponding to the DE signal.</p>																											
	Set gate pulse width of parallel RGB interface.																											
	<table border="1"> <thead> <tr> <th>PRGB_GWIDTH[2:0]</th> <th>T2 Gate (n) width (DCLK)</th> <th>T3 Gate (n+1) width (DCLK)</th> </tr> </thead> <tbody> <tr> <td>000</td> <td>GT1</td> <td>GT2</td> </tr> <tr> <td>001</td> <td>GT1 + 19</td> <td>GT2 - 19</td> </tr> <tr> <td>010</td> <td>GT1 + 38</td> <td>GT2 - 38</td> </tr> <tr> <td>011</td> <td>GT1 + 57</td> <td>GT2 - 57</td> </tr> <tr> <td>100</td> <td>GT1 + 76</td> <td>GT2 - 76</td> </tr> <tr> <td>101</td> <td>GT1 + 96</td> <td>GT2 - 96</td> </tr> <tr> <td>110</td> <td>GT1 + 115</td> <td>GT2 - 115</td> </tr> <tr> <td>111</td> <td>GT1 + 134</td> <td>GT2 - 134</td> </tr> </tbody> </table>	PRGB_GWIDTH[2:0]	T2 Gate (n) width (DCLK)	T3 Gate (n+1) width (DCLK)	000	GT1	GT2	001	GT1 + 19	GT2 - 19	010	GT1 + 38	GT2 - 38	011	GT1 + 57	GT2 - 57	100	GT1 + 76	GT2 - 76	101	GT1 + 96	GT2 - 96	110	GT1 + 115	GT2 - 115	111	GT1 + 134	GT2 - 134
	PRGB_GWIDTH[2:0]	T2 Gate (n) width (DCLK)	T3 Gate (n+1) width (DCLK)																									
	000	GT1	GT2																									
	001	GT1 + 19	GT2 - 19																									
	010	GT1 + 38	GT2 - 38																									
	011	GT1 + 57	GT2 - 57																									
	100	GT1 + 76	GT2 - 76																									
	101	GT1 + 96	GT2 - 96																									
110	GT1 + 115	GT2 - 115																										
111	GT1 + 134	GT2 - 134																										
Set gate pulse width of serial RGB interface.																												
<table border="1"> <thead> <tr> <th>SRGB_GWIDTH[2:0]</th> <th>T2 Gate (n) width (DCLK)</th> <th>T3 Gate (n+1) width (DCLK)</th> </tr> </thead> <tbody> <tr> <td>000</td> <td>GT1</td> <td>GT2</td> </tr> <tr> <td>001</td> <td>GT1 + 19</td> <td>GT2 - 19</td> </tr> <tr> <td>010</td> <td>GT1 + 38</td> <td>GT2 - 38</td> </tr> <tr> <td>011</td> <td>GT1 + 57</td> <td>GT2 - 57</td> </tr> <tr> <td>100</td> <td>GT1 + 76</td> <td>GT2 - 76</td> </tr> <tr> <td>101</td> <td>GT1 + 96</td> <td>GT2 - 96</td> </tr> <tr> <td>110</td> <td>GT1 + 115</td> <td>GT2 - 115</td> </tr> <tr> <td>111</td> <td>GT1 + 134</td> <td>GT2 - 134</td> </tr> </tbody> </table>	SRGB_GWIDTH[2:0]	T2 Gate (n) width (DCLK)	T3 Gate (n+1) width (DCLK)	000	GT1	GT2	001	GT1 + 19	GT2 - 19	010	GT1 + 38	GT2 - 38	011	GT1 + 57	GT2 - 57	100	GT1 + 76	GT2 - 76	101	GT1 + 96	GT2 - 96	110	GT1 + 115	GT2 - 115	111	GT1 + 134	GT2 - 134	
SRGB_GWIDTH[2:0]	T2 Gate (n) width (DCLK)	T3 Gate (n+1) width (DCLK)																										
000	GT1	GT2																										
001	GT1 + 19	GT2 - 19																										
010	GT1 + 38	GT2 - 38																										
011	GT1 + 57	GT2 - 57																										
100	GT1 + 76	GT2 - 76																										
101	GT1 + 96	GT2 - 96																										
110	GT1 + 115	GT2 - 115																										
111	GT1 + 134	GT2 - 134																										

8.4 Gamma Table Register Description

8.4.1 GAMMA SETTING (20h~29h, 30h~39h)

Address	TYPE	D7	D6	D5	D4	D3	D2	D1	D0	Default
20h	R/W	0	0	0	VRF0P[4:0]					--
21h	R/W	0	0	0	VOS0P[4:0]					--
22h	R/W	PFP0[2:0]			PKP0[4:0]					--
23h	R/W	PFP1[2:0]			PKP1[4:0]					--
24h	R/W	PFP2[2:0]			PKP2[4:0]					--
25h	R/W	PFP3[2:0]			PKP3[4:0]					--
26h	R/W	PFP4[2:0]			PKP4[4:0]					--
27h	R/W	PFP5[2:0]			PKP5[4:0]					--
28h	R/W	PFP6[2:0]			PKP6[4:0]					--
29h	R/W	0	0	0	PKP7[4:0]					--
30h	R/W	0	0	0	VRF0N[4:0]					--
31h	R/W	0	0	0	VOS0N[4:0]					--
32h	R/W	PFN0[2:0]			PKN0[4:0]					--
33h	R/W	PFN1[2:0]			PKN1[4:0]					--
34h	R/W	PFN2[2:0]			PKN2[4:0]					--
35h	R/W	PFN3[2:0]			PKN3[4:0]					--
36h	R/W	PFN4[2:0]			PKN4[4:0]					--
37h	R/W	PFN5[2:0]			PKN5[4:0]					--
38h	R/W	PFN6[2:0]			PKN6[4:0]					--
39h	R/W	0	0	0	PKN7[4:0]					--

Designation	Description
PKP0[4:0]	V16 gamma selection
PKN0[4:0]	
PKP1[4:0]	V32 gamma selection
PKN1[4:0]	
PKP2[4:0]	V48 gamma selection
PKN2[4:0]	
PKP3[4:0]	V80 gamma selection
PKN3[4:0]	
PKP4[4:0]	V176 gamma selection
PKPN4[4:0]	
PKP5[4:0]	V208 gamma selection
PKN5[4:0]	

PKP6[4:0]	V224 gamma selection
PKN6[4:0]	
PKP7[4:0]	V240 gamma selection
PKN7[4:0]	
VRFOP[4:0]	V8 gamma selection
VRFON[4:0]	
VOS0P[4:0]	V248 gamma selection
VOS0N [4:0]	
PFP0[2:0]	V12 gamma selection
PFN0[2:0]	
PFP1[2:0]	V64 gamma selection
PFN1[2:0]	
PFP2[2:0]	V104 gamma selection
PFN2[2:0]	
PFP3[2:0]	V128 gamma selection
PFN3[2:0]	
PFP4[2:0]	V152 gamma selection
PFN4[2:0]	
PFP5[2:0]	V192 gamma selection
PFN5[2:0]	
PFP6[2:0]	V244 gamma selection
PFN6[2:0]	

8.5 OTP Table Register Description

8.5.1 ID1 SETTING (01h)

Address	TYPE	D7	D6	D5	D4	D3	D2	D1	D0	Default	
01h	R/W	0	ID1[6:0]								7Fh

Designation	Description
ID1[6:0]	Built-in OTP for ID1 setting. The OTP supports 3 times programming

8.5.2 ID2 SETTING (02h)

Address	TYPE	D7	D6	D5	D4	D3	D2	D1	D0	Default	
02h	R/W	0	ID2[6:0]								7Fh

Designation	Description
ID2[6:0]	Built-in OTP for ID2 setting. The OTP supports 3 times programming

8.5.3 ID3 SETTING (03h)

Address	TYPE	D7	D6	D5	D4	D3	D2	D1	D0	Default	
03h	R/W	0	ID3[6:0]								7Fh

Designation	Description
ID3[6:0]	Built-in OTP for ID3 setting. The OTP supports 3 times programming

8.5.4 2C ID CODE SETTING (04h)

Address	TYPE	D7	D6	D5	D4	D3	D2	D1	D0	Default	
04h	R/W	0	I ² CID[6:0]								78h

Designation	Description
I ² CID[6:0]	Built-in OTP for I ² C interface ID setting. The OTP supports 3 times programming

8.5.5 VCOM OFFSET SETTING (05h)

Address	TYPE	D7	D6	D5	D4	D3	D2	D1	D0	Default
05h	R/W	0	VMF[6:0]							40h

Designation	Description																																																																	
VMF[6:0]	VCOM offset setting																																																																	
	<table border="1"> <thead> <tr> <th>VMF[6]</th> <th>VMF[5:0]</th> <th>VGSP</th> <th>GVDD</th> <th>GVCL</th> </tr> </thead> <tbody> <tr> <td>0</td> <td>000000</td> <td>VMF[6:0]+64d</td> <td>VRHP[5:0]+64d</td> <td>VRHN[6:0]+64d</td> </tr> <tr> <td>0</td> <td>000001</td> <td>VMF[6:0]+63d</td> <td>VRHP[5:0]+63d</td> <td>VRHN[6:0]+63d</td> </tr> <tr> <td>0</td> <td>000010</td> <td>VMF[6:0]+62d</td> <td>VRHP[5:0]+62d</td> <td>VRHN[6:0]+62d</td> </tr> <tr> <td>0</td> <td> </td> <td> </td> <td> </td> <td> </td> </tr> <tr> <td>0</td> <td>111110</td> <td>VMF[6:0]+2d</td> <td>VRHP[5:0]+2d</td> <td>VRHN[6:0]+2d</td> </tr> <tr> <td>0</td> <td>111111</td> <td>VMF[6:0]+1d</td> <td>VRHP[5:0]+1d</td> <td>VRHN[6:0]+1d</td> </tr> <tr> <td>1</td> <td>000000</td> <td>VMF[6:0]</td> <td>VRHP[5:0]</td> <td>VRHN[6:0]</td> </tr> <tr> <td>1</td> <td>000001</td> <td>VMF[6:0]-1d</td> <td>VRHP[5:0]-1d</td> <td>VRHN[6:0]-1d</td> </tr> <tr> <td>1</td> <td>000010</td> <td>VMF[6:0]-2d</td> <td>VRHP[5:0]-2d</td> <td>VRHN[6:0]-2d</td> </tr> <tr> <td>1</td> <td> </td> <td> </td> <td> </td> <td> </td> </tr> <tr> <td>1</td> <td>111110</td> <td>VMF[6:0]-62d</td> <td>VRHP[5:0]-62d</td> <td>VRHN[6:0]-62d</td> </tr> <tr> <td>1</td> <td>111111</td> <td>VMF[6:0]-63d</td> <td>VRHP[5:0]-63d</td> <td>VRHN[6:0]-63d</td> </tr> </tbody> </table>	VMF[6]	VMF[5:0]	VGSP	GVDD	GVCL	0	000000	VMF[6:0]+64d	VRHP[5:0]+64d	VRHN[6:0]+64d	0	000001	VMF[6:0]+63d	VRHP[5:0]+63d	VRHN[6:0]+63d	0	000010	VMF[6:0]+62d	VRHP[5:0]+62d	VRHN[6:0]+62d	0					0	111110	VMF[6:0]+2d	VRHP[5:0]+2d	VRHN[6:0]+2d	0	111111	VMF[6:0]+1d	VRHP[5:0]+1d	VRHN[6:0]+1d	1	000000	VMF[6:0]	VRHP[5:0]	VRHN[6:0]	1	000001	VMF[6:0]-1d	VRHP[5:0]-1d	VRHN[6:0]-1d	1	000010	VMF[6:0]-2d	VRHP[5:0]-2d	VRHN[6:0]-2d	1					1	111110	VMF[6:0]-62d	VRHP[5:0]-62d	VRHN[6:0]-62d	1	111111	VMF[6:0]-63d	VRHP[5:0]-63d	VRHN[6:0]-63d
	VMF[6]	VMF[5:0]	VGSP	GVDD	GVCL																																																													
	0	000000	VMF[6:0]+64d	VRHP[5:0]+64d	VRHN[6:0]+64d																																																													
	0	000001	VMF[6:0]+63d	VRHP[5:0]+63d	VRHN[6:0]+63d																																																													
	0	000010	VMF[6:0]+62d	VRHP[5:0]+62d	VRHN[6:0]+62d																																																													
	0																																																																	
	0	111110	VMF[6:0]+2d	VRHP[5:0]+2d	VRHN[6:0]+2d																																																													
	0	111111	VMF[6:0]+1d	VRHP[5:0]+1d	VRHN[6:0]+1d																																																													
	1	000000	VMF[6:0]	VRHP[5:0]	VRHN[6:0]																																																													
	1	000001	VMF[6:0]-1d	VRHP[5:0]-1d	VRHN[6:0]-1d																																																													
	1	000010	VMF[6:0]-2d	VRHP[5:0]-2d	VRHN[6:0]-2d																																																													
	1																																																																	
1	111110	VMF[6:0]-62d	VRHP[5:0]-62d	VRHN[6:0]-62d																																																														
1	111111	VMF[6:0]-63d	VRHP[5:0]-63d	VRHN[6:0]-63d																																																														
<i>Note: d=16mV</i>																																																																		

8.5.6 OTP FUNCTION CONTROL (60h)

Address	TYPE	D7	D6	D5	D4	D3	D2	D1	D0	Default
60h	R/W	0	0	0	0	1	INTVPP	OTPEN	1	09h

Designation	Description
INTVPP	Internal VPP function control INTVPP = 0: disable internal VPP function INTVPP = 1: enable internal VPP function
OTPEN	OTP function control OTPEN = 0: disable OTP function OTPEN = 1: enable OTP function

8.5.7 OTP ACKNOWLEDGEMENT CONTROL (65h)

Address	TYPE	D7	D6	D5	D4	D3	D2	D1	D0	Default
65h	R/W	OTPACK[7:0]								00h

Designation	Description																
OTPACK[7:0]	OTP active control																
	<table border="1"> <thead> <tr> <th>OTPACK[7:0]</th> <th>Description</th> </tr> </thead> <tbody> <tr> <td>31h</td> <td>ID1 program</td> </tr> <tr> <td>32h</td> <td>ID2 program</td> </tr> <tr> <td>33h</td> <td>ID3 program</td> </tr> <tr> <td>34h</td> <td>I²C I/F ID program</td> </tr> <tr> <td>3Ah</td> <td>VCOM offset program</td> </tr> <tr> <td>4Bh</td> <td>Command 2 program</td> </tr> <tr> <td>5Ch</td> <td>Gamma program</td> </tr> </tbody> </table>	OTPACK[7:0]	Description	31h	ID1 program	32h	ID2 program	33h	ID3 program	34h	I ² C I/F ID program	3Ah	VCOM offset program	4Bh	Command 2 program	5Ch	Gamma program
	OTPACK[7:0]	Description															
	31h	ID1 program															
	32h	ID2 program															
	33h	ID3 program															
	34h	I ² C I/F ID program															
	3Ah	VCOM offset program															
	4Bh	Command 2 program															
5Ch	Gamma program																

8.5.8 VCOM OFFSET OTP PROGRAM TIMES (66h)

Address	TYPE	D7	D6	D5	D4	D3	D2	D1	D0	Default
66h	R	0	0	0	0	0	VMF OTP TIME[2:0]			03h

Designation	Description
VMF OTP TIME[2:0]	Read VCOM offset programmable times

8.5.9 COMMAND 2 PROGRAM TIMES (67h)

Address	TYPE	D7	D6	D5	D4	D3	D2	D1	D0	Default
67h	R	0	0	0	0	0	CMD2 OTP TIME[2:0]			03h

Designation	Description
CMD2 OTP TIME[2:0]	Read COMMAND 2 programmable times

8.5.10 GAMMA OTP PROGRAM TIMES (68h)

Address	TYPE	D7	D6	D5	D4	D3	D2	D1	D0	Default
68h	R	0	0	0	0	0	GAMMA OTP TIME[2:0]			03h

Designation	Description
GAMMA OTP TIME[2:0]	Read GAMMA programmable times

8.5.11 ID1 OTP PROGRAM TIMES (69h)

Address	TYPE	D7	D6	D5	D4	D3	D2	D1	D0	Default
69h	R	0	0	0	0	0	ID1 OTP TIME[2:0]			03h

Designation	Description
ID1 OTP TIME[2:0]	Read ID1 programmable times

8.5.12 ID2 OTP PROGRAM TIMES (6Ah)

Address	TYPE	D7	D6	D5	D4	D3	D2	D1	D0	Default
6Ah	R	0	0	0	0	0	ID2 OTP TIME[2:0]			03h

Designation	Description
ID2 OTP TIME[2:0]	Read ID2 programmable times

8.5.13 ID3 OTP PROGRAM TIMES (6Bh)

Address	TYPE	D7	D6	D5	D4	D3	D2	D1	D0	Default
6Bh	R	0	0	0	0	0	ID3 OTP TIME[2:0]			03h

Designation	Description
ID3 OTP TIME[2:0]	Read ID2 programmable times

8.5.14 I²C ID OTP PROGRAM TIMES (6Ch)

Address	TYPE	D7	D6	D5	D4	D3	D2	D1	D0	Default
6Ch	R	0	0	0	0	0	I ² CID OTP TIME[2:0]			03h

Designation	Description
I ² CID OTPTIME[2:0]	Read I ² CID programmable times

9. ELECTRICAL SPECIFICATIONS

9.1 Absolute Maximum Ratings

Item	Symbol	Rating	Unit
Power Supply Voltage	VDD	- 0.3 ~ +4.0	V
IO Supply Voltage	VDDI	- 0.3 ~ +4.0	V
Charge Pump Supply Voltage	PVDD	- 0.3 ~ +4.0	V
Logic Input Voltage Range	VIN	-0.3 ~ VDDI + 0.3	V
Logic Output Voltage Range	VOUT	-0.3 ~ VDDI + 0.3	V
Operating Temperature Range	TOPR	-30 ~ +85	°C
Storage Temperature Range	TSTG	-40 ~ +125	°C

Note:

1. That the stress exceeds the Limiting Value listed above it may cause the driver IC permanent damage. These values are for stress only. IC should be operated under the DC/AC Characteristic conditions for normal operation. If these conditions are not met, IC operation may be error and the reliability may be deteriorated.
2. Parameters are valid over operating temperature range unless otherwise specified. All voltages are with respect to VSS unless otherwise noted.
3. VIN should be less than or equal to 3.6V. ($V_{IN} \leq 3.6V$)

9.2 DC Characteristics

DC Electrical Characteristics (PVDD=VDD=VDDI= 3.3V, AGND= 0V, TA=25°C, Bare Chip)

9.2.1 Recommended Operating Range

Item	Symbol	Min.	Typ.	Max.	Unit	Conditions
Supply Voltage	VDD	3.0	3.3	3.6	V	
IO Supply Voltage	VDDI	3.0	-	3.6	V	
Charge Pump Supply Voltage	PVDD	3.0	3.3	3.6	V	

9.2.2 DC Characteristics for Digital Circuit

Item	Symbol	Min.	Typ.	Max.	Unit	Conditions
Logic-High Input Voltage	Vih	0.7VDDI	-	VDDI	V	
Logic-Low Input Voltage	Vil	DGND	-	0.3VDDI	V	
Logic-High Output Voltage	Voh	VDDI-0.4	-	VDDI	V	
Logic-Low Output Voltage	Vol	DGND	-	DGND+0.4	V	

9.2.3 DC Characteristics for Analog Circuit

Item	Symbol	Min.	Typ.	Max.	Unit	Conditions
Positive High-Voltage Power	VGH	13	15	16.5	V	No Load@ FR=60Hz
Negative High-Voltage Power	VGL	-7	-10	-11	V	
Output Voltage Deviation	Vod	-	±35	±45	mV	
Standby Current	Isc	-		50	uA	
Operation Current	Ioc	-	20		mA	

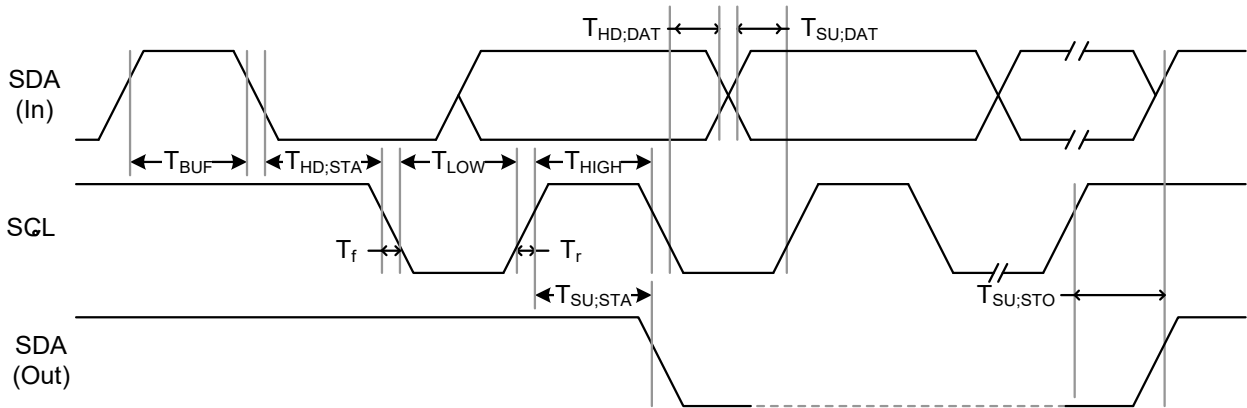
9.3 AC Characteristics

AC Electrical Characteristics (PVDD=VDD=VDDI= 3.3V, AGND= 0V, TA=25°C, Bare Chip)

9.3.1 System Operation AC Characteristics

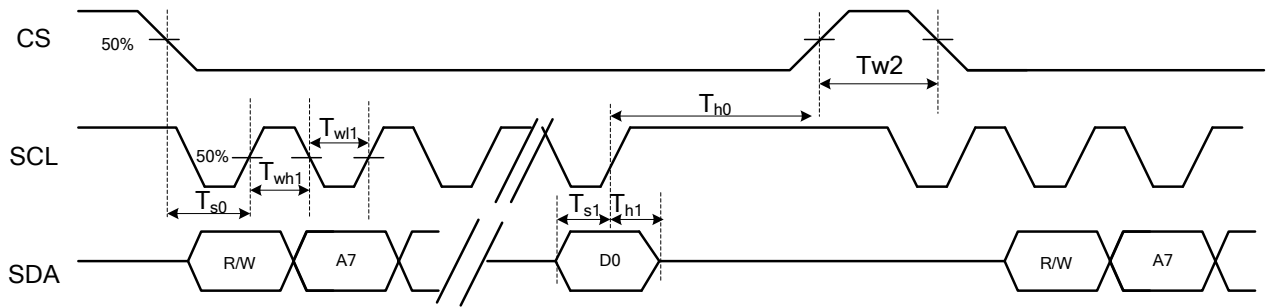
Item	Symbol	Min.	Typ.	Max.	Unit	Conditions
VDD Power Source Slew Time	TPOR	-	-	20	ms	From 0V to 99% VDD
GRB Pulse Width	tRSTW	10	50	-	us	R=10Kohm, C=1uF
SD Output Stable Time	Tst	-	-	12	us	Output settled within +20mV Loading = 6.8k+28.2pF.
GD Output Rise and Fall Time	Tgst	-	-	6	us	Output settled (5%~95%), Loading = 4.7k+29.8pF

9.3.2 System Bus Timing for I²C Interface



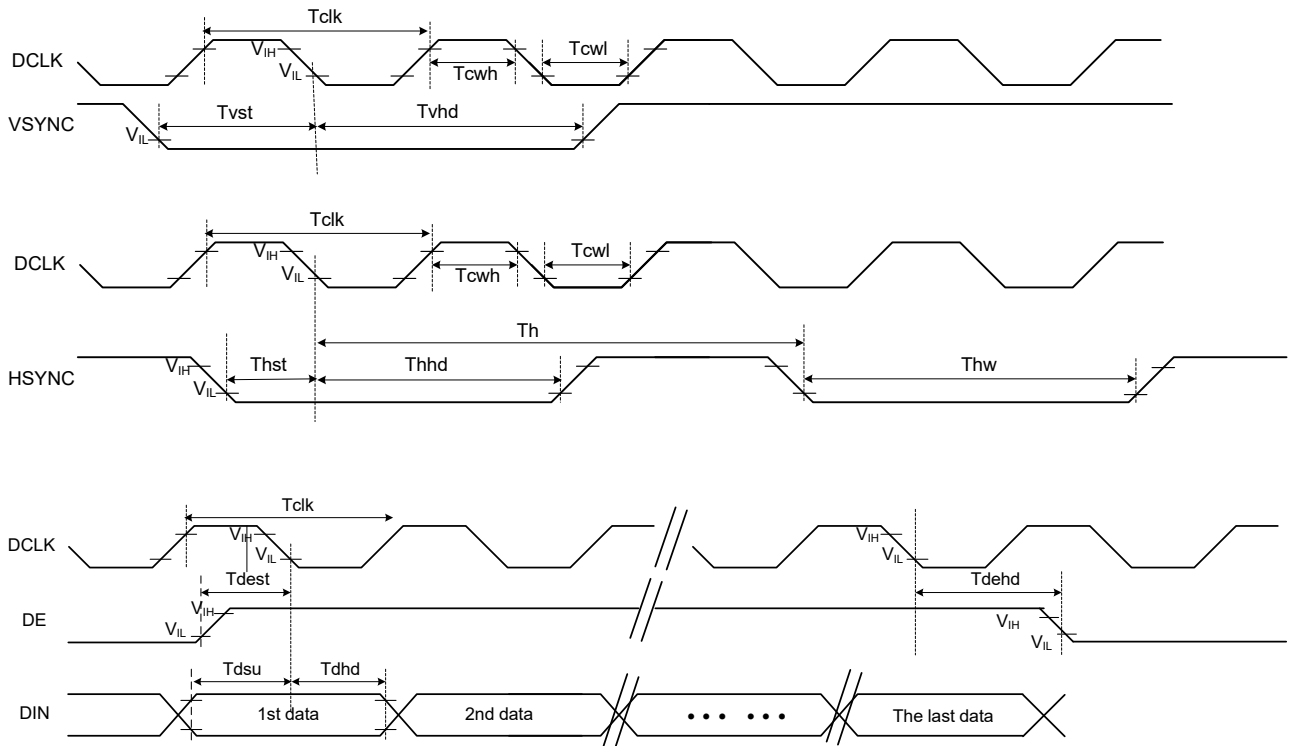
Item	Symbol	Min.	Typ.	Max.	Unit	Conditions
SCL Clock Frequency	FSCL	-	-	400	KHz	
SCL Clock Low Period	TLOW	1300	-	-	ns	
SCL Clock High Period	THIGH	600	-	-	ns	
Signal Rise Time	Tr	20+0.1Cb	-	300	ns	
Signal Fall Time	Tf	20+0.1Cb	-	300	ns	
Start Condition Setup Time	TSU;STA	600	-	-	ns	
Start Condition Hold Time	THD;STA	600	-	-	ns	
Data Setup Time	TSU;DAT	100	-	-	ns	
Data Hold Time	THD;DAT	0	-	900	ns	
Setup Time for STOP Condition	TSU;STO	600	-	-	ns	
Bus Free Time Between a STOP and START	TBUF	100	-	-	ns	
Capacitive load represented by each bus line	Cb			400	pF	
Tolerable Spike Width on Bus	TSW	-	-	50	ns	

9.3.3 System Bus Timing for 3-Wire SPI Interface



Item	Symbol	Min.	Typ.	Max.	Unit	Conditions
CS Input Setup Time	Ts0	50	-	-	ns	
Serial Data Input Setup Time	Ts1	50	-	-	ns	
CS Input Hold Time	Th0	50	-	-	ns	
Serial Data Input Hold Time	Th1	50	-	-	ns	
SCL Write Pulse High Width	Twh1	50	-	-	ns	
SCL Write Pulse Low Width	Twl1	50	-	-	ns	
SCL Read Pulse High Width	Trh1	300			ns	
SCL Read Pulse Low Width	Trl1	300			ns	
CS Pulse High Width	Tw2	400	-	-	ns	

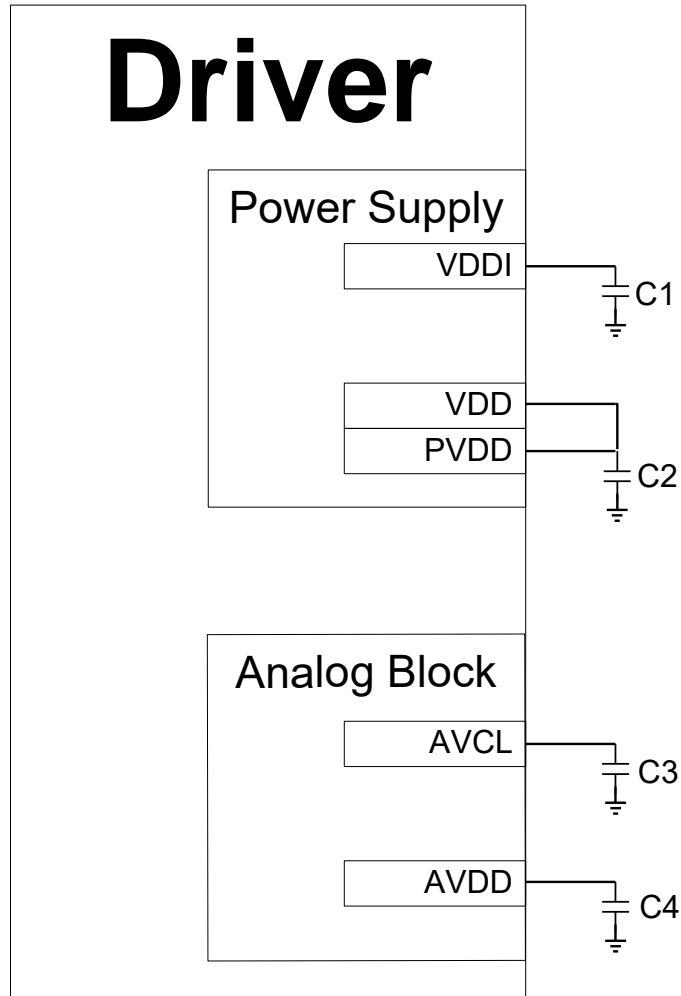
9.3.4 System Bus Timing for RGB Interface



Item	Symbol	Min.	Typ.	Max.	Unit	Conditions
CLK Pulse Duty	Tclk	40	50	60	%	
HSYNC Width	Thw	2	-	-	DCLK	
HSYNC Period	Th	55	60	65	us	
VSYNC Setup Time	Tvst	12	-	-	ns	
VSYNC Hold Time	Tvhd	12	-	-	ns	
HSYNC Setup Time	Thst	12	-	-	ns	
HSYNC Hold Time	Thhd	12	-	-	ns	
Data Setup Time	Tdsu	12	-	-	ns	
Data Hold Time	Tdhd	12	-	-	ns	
DE Setup Time	Tdest	12	-	-	ns	
DE Hold Time	Tdehd	12	-	-	ns	

10. APPLICATION CIRCUIT

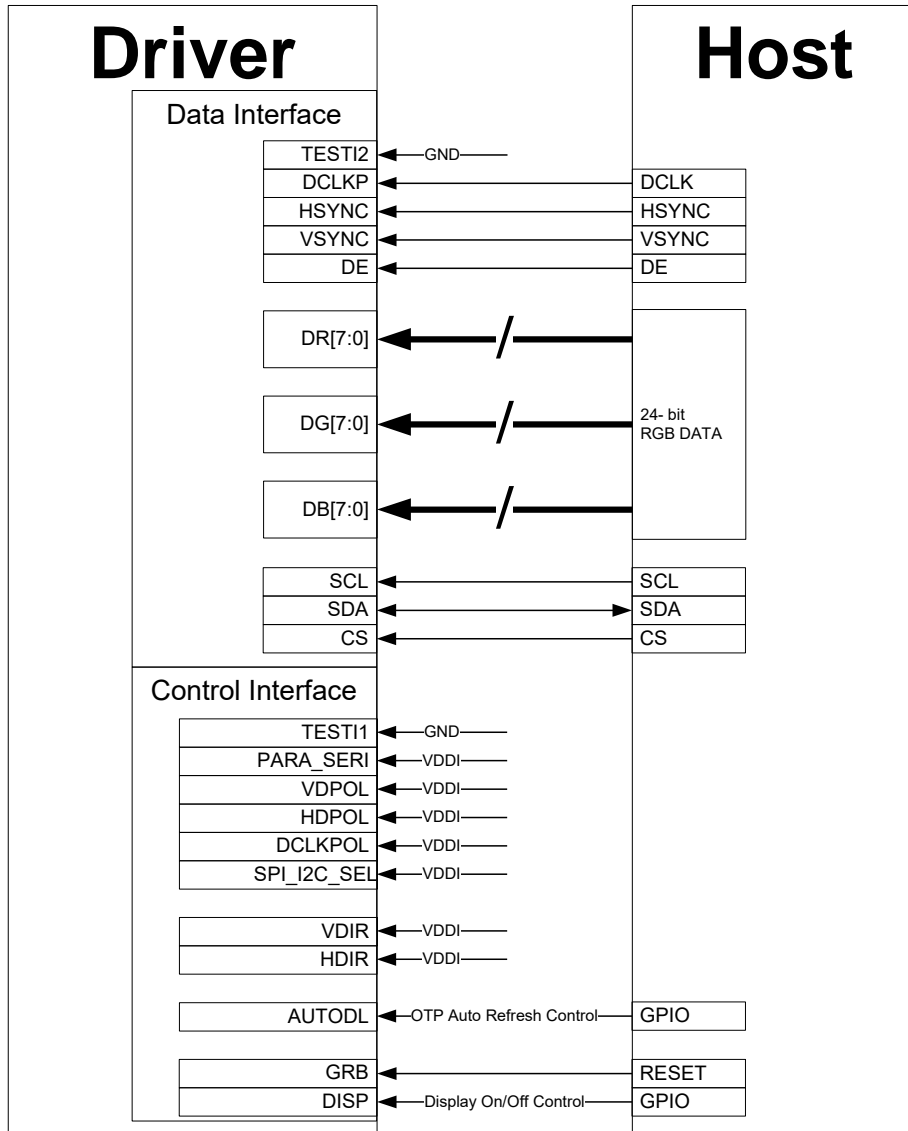
10.1 External Component of Power Circuit



Symbol	Capacitance (uf)	Voltage Proof (V)	Remarks	Note
C1	1	6	X7R	Default NC
C2	1	6	X7R	Default NC
C3	1	10	X7R	Default NC
C4	1	10	X7R	Default NC

Note: Default NC, The components would be needed depend on the system power, panel loading and display quality

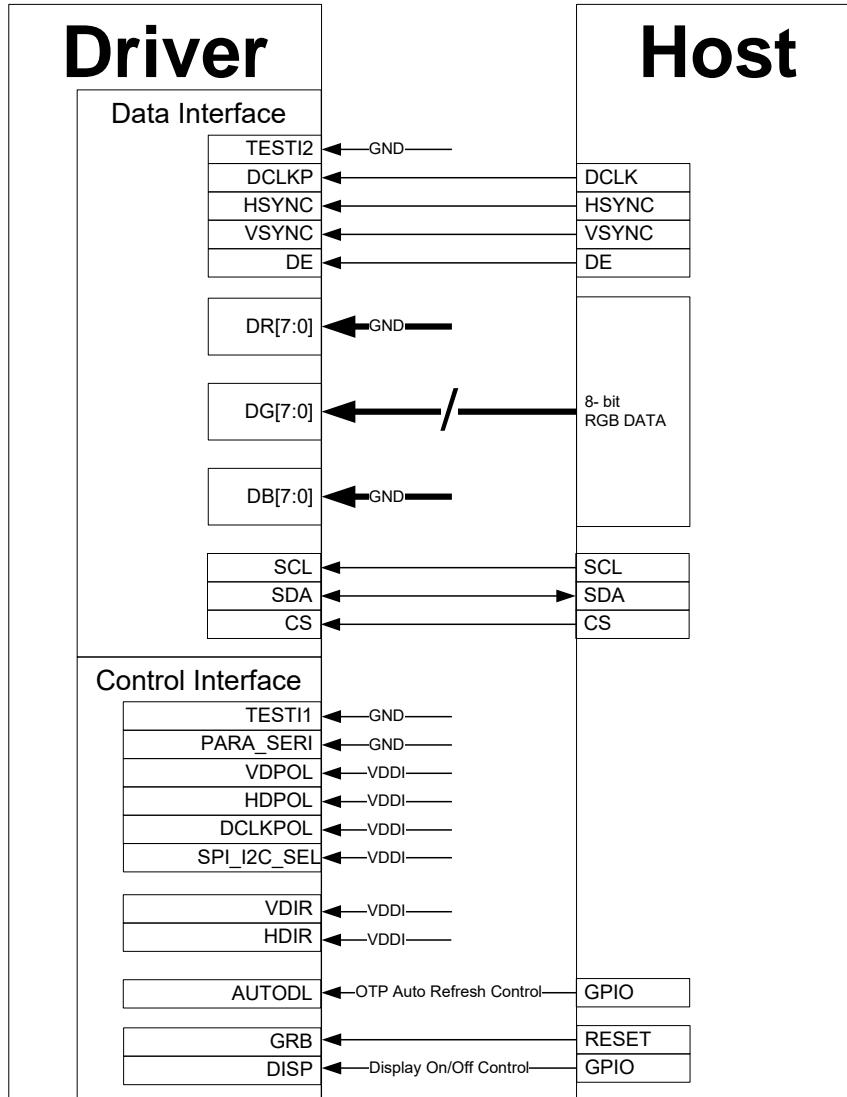
10.2 Parallel 24-bit RGB with 3-wire SPI



Pin Connection	Description
TESTI[2:1]	Reserved for testing only, please leave those pins connect to "L"
PARA_SERI= "H"	Parallel 24-bit RGB interface
VDPOL= "H"	VSYNC negative polarity
HDPOL= "H"	HSYNC negative polarity
DCLKPOL= "H"	DCLK negative polarity
SPI_I2C_SEL= "H"	3-Wire SPI
VDIR= "H"	Vertical scan direction= L1->L2->.....->L(last line)
HDIR= "H"	Horizontal scan direction= Y1->Y2->.....->Y(last data)

Note: For detailed pin description please refer to section 6.1 PIN DESCRIPTION.

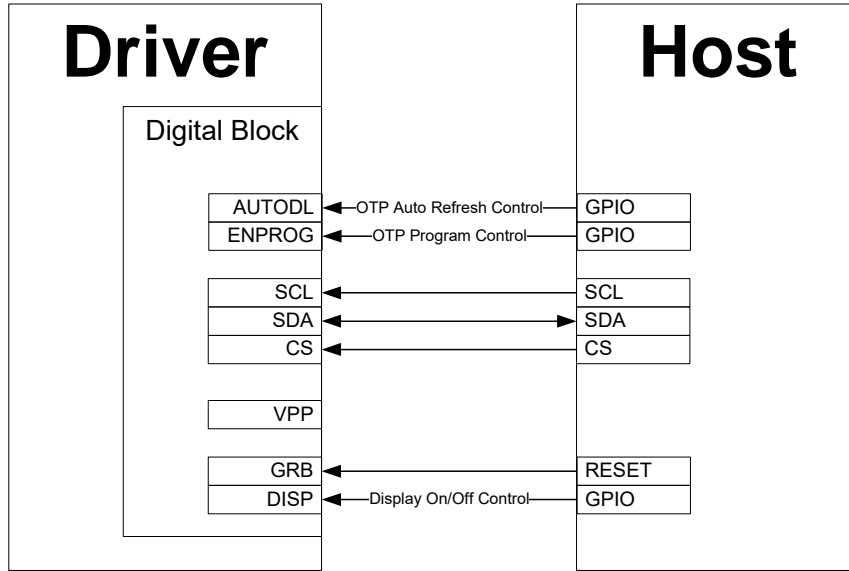
10.3 Serial 8-bit RGB with 3-wire SPI



Pin Connection	Description
TESTI[2:1]	Reserved for testing only, please leave those pins connect to "L"
PARA_SERI = "L"	Serial 8-bit RGB interface
VDPOL= "H"	VSYNC negative polarity
HDPOL= "H"	HSYNC negative polarity
DCLKPOL= "H"	DCLK negative polarity
SPI_I2C_SEL= "H"	3-Wire SPI
VDIR= "H"	Vertical scan direction= L1->L2->.....->L(last line)
HDIR= "H"	Horizontal scan direction= Y1->Y2->.....->Y(last data)

Note: For detailed pin description please refer to section 6.1 PIN DESCRIPTION.

10.4 OTP Operation

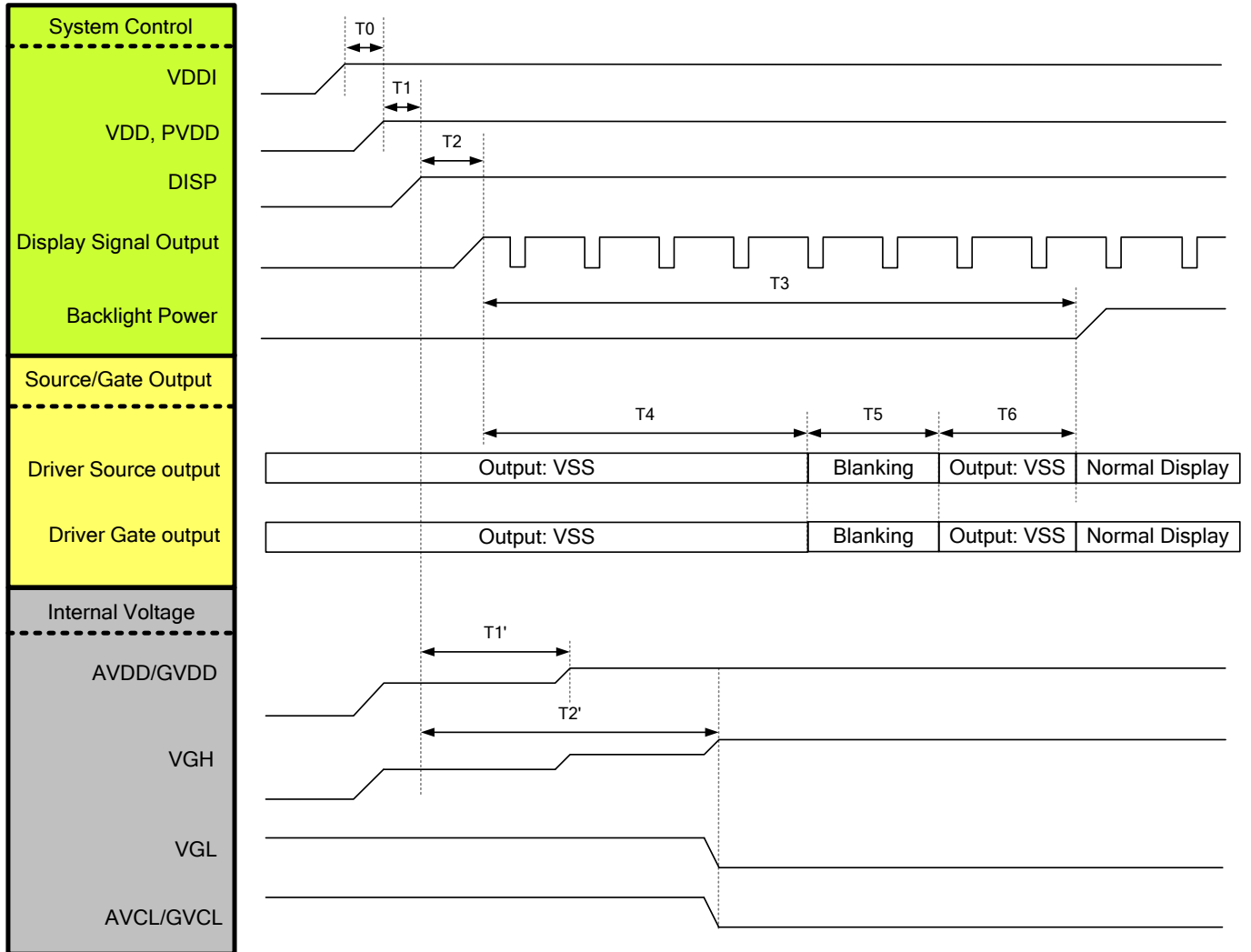


Pin Connection	Description
AUTODL	OTP auto-refresh function control
ENPROG	OTP program function control
VPP	Reserved for testing only, please leave this pin open.

Note: For detailed pin description please refer to section 6.1 PIN DESCRIPTION.

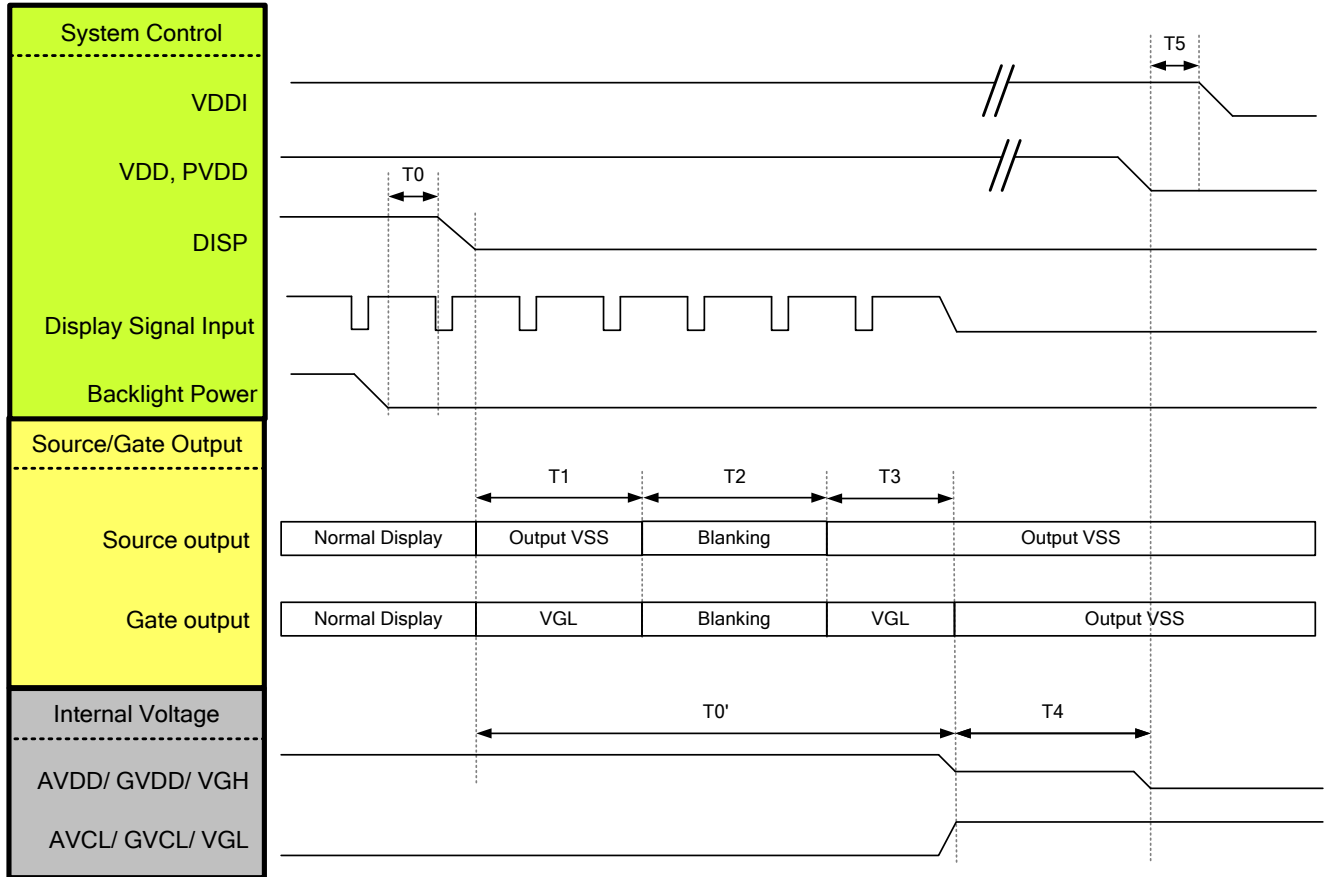
11. POWER ON/OFF SEQUENCE

11.1 Power On Sequence



Symbol	Description	Min. Time	Unit
T0	Analog power on delay time	0	ms
T1	System power stability to DISP= "High"	0	ms
T2	DISP= "High" to display signal output	10	ms
T3	Display signal output to backlight power on	250	ms
T4	Display signal output to source output	100	ms
T5	Source/ Gate blanking time	30	ms
T6	Source/ Gate automatic output VSS	80	ms
T1'	DISP= "High" to AVDD/GVDD voltage stable time	20	ms
T2'	DISP= "High" to VGH/VGL/AVCL/GVCL voltage stable time	60	ms

11.2 Power Off Sequence

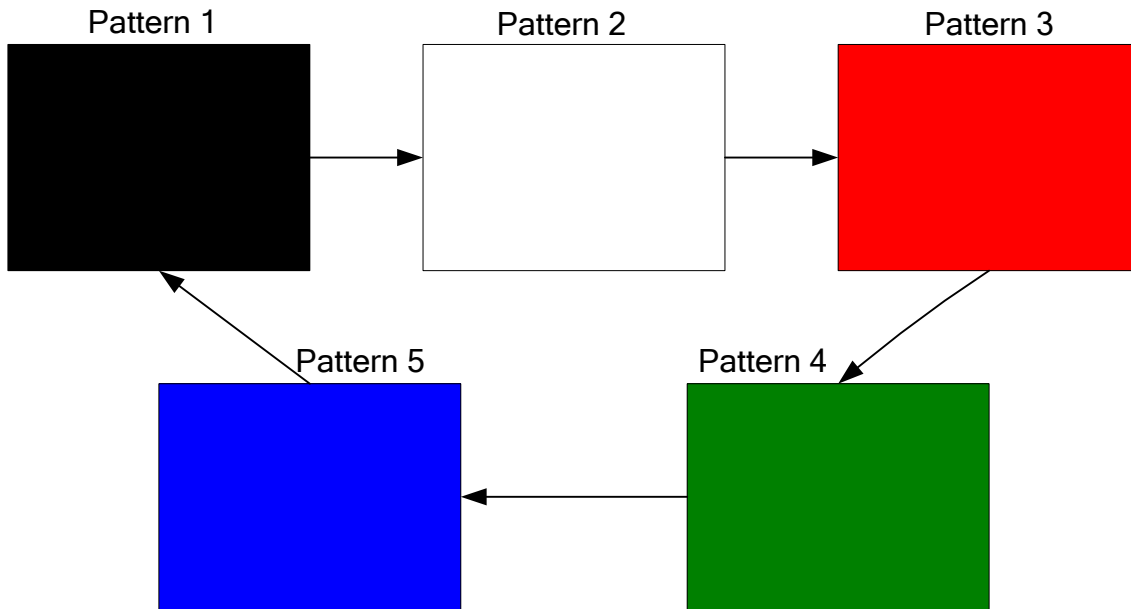


Symbol	Description	Min. Time	Unit
T0	Backlight power off to DISP off	5	ms
T1	Source voltage output VSS and Gate voltage output VGL	30	ms
T2	Source/ Gate blanking time	30	ms
T3	Source voltage output VSS and Gate voltage output VGL	20	ms
T4	AVDD/ GVDD/ VGH discharge time	5	ms
T5	Analog power off to digital power off time	0	ms
T0'	Source and Gate voltage discharge complete width	80	ms

12. BIST FUNCTION

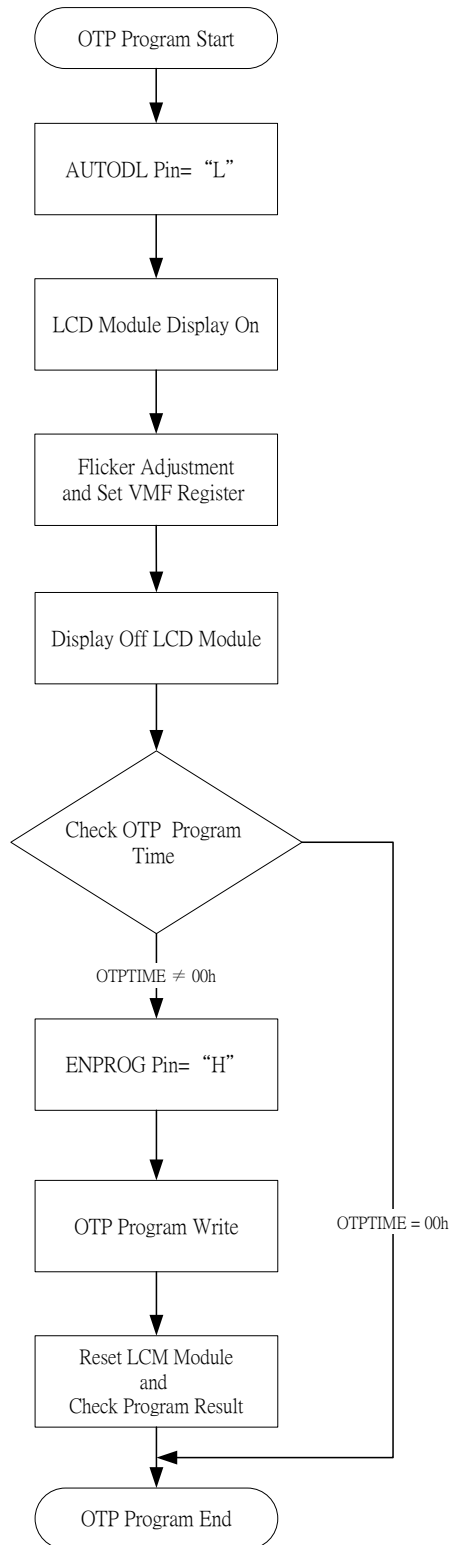
When "BIST_EN" pin sets to "H", the BIST function is enabled. The BIST pattern will automatically display BIST pattern in the BIST mode as follows.

12.1 BIST Pattern



13. OTP PROGRAM FLOW

13.1 VCOM Offset OTP Flow



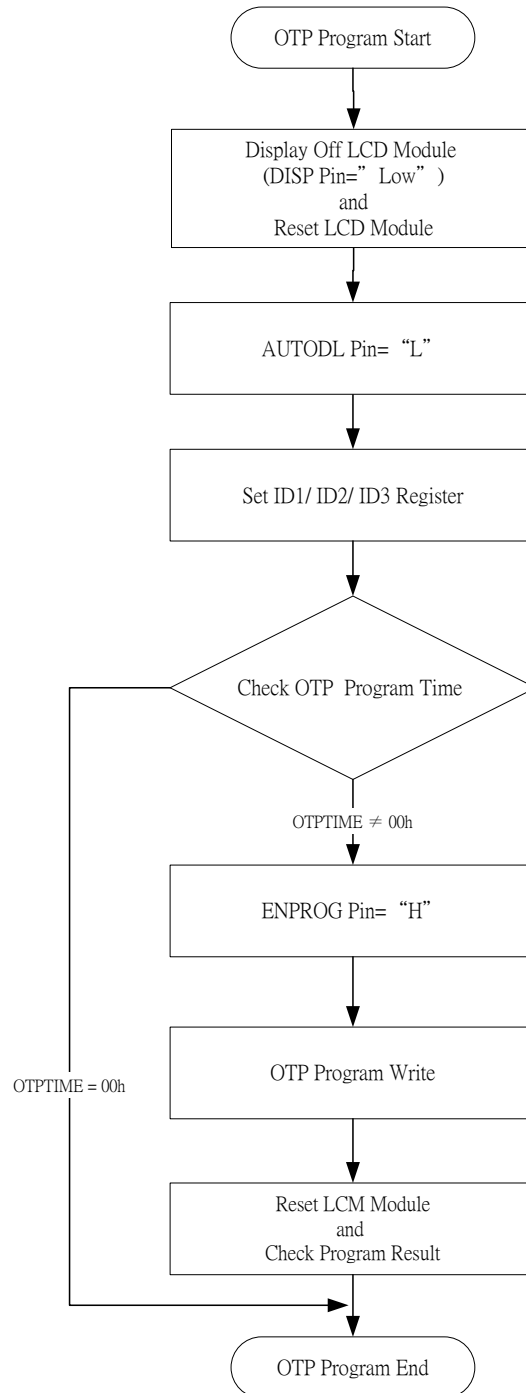

```
void Set_VMF_Register ()
{
    Write(Command,0x05);           //Flicker adjustment and VMF[6:0] register setting
    Write(Data, VMF);
}
```

```
void Check_OTP_Program_Time()
{
    Write(Command,0x66);           //VMF OTPTIME register address
    Read(Data, VMFOTPTIME);
}
```

```
void OTP_Program_Write()
{
    Write(Command,0x60);           //OTP write function enable
    Write(Data,0x46);
    Write(Command,0x65);           //OTP ACK= 0x3A
    Write(Data,0x3A);
}
```

```
void Check_Program_Result()
{
    Write(Command,0x05);           //Read VMF[6:0] register setting
    Read(Data, VMF);
}
```

13.2 Custom Application ID Code OTP Flow



```

void Set_OTP_Register ()
{
    Write(Command,0x01);           //The parameter should be adjusted by the customer
    Write(Data, ID);              //ID= 0x01, ID2= 0x02, ID3= 0x03
}

void Check_OTP_Program_Time()
{
    Write(Command,0x69);          //The parameter should be adjusted by the customer;
    Read(Data, IDOTPTIME);       //MF OTPTIME= 0x6A, MF OTPTIME= 0x6A
}                                  //DS OTPTIME= 0x6B

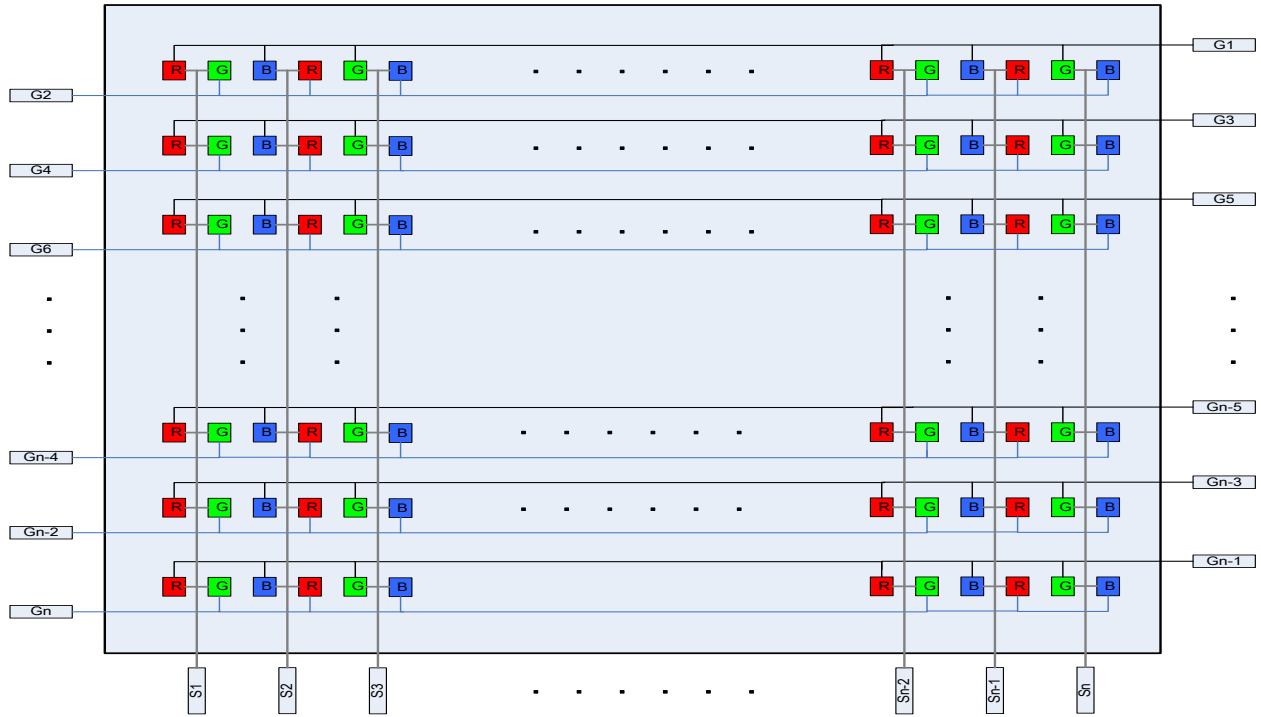
void OTP_Program_Write()
{
    Write(Command,0x60);          //OTP write function enable
    Write(Data,0x46);
    Write(Command,0x65);          // The parameter should be adjusted by the customer;
    Write(Data,0x31);            // ID ACK= 0x31, ID2 ACK= 0x32, ID3 ACK= 0x33
}

void Check_Program_Result ()
{
    Write(Command,0x01);          // The parameter should be adjusted by the customer
    Read(Data, ID);              // ID= 0x01, ID2= 0x02, ID3= 0x03
}

```


15. COLOR FILTER ARRANGEMENT

The IC supports the stripe color filter of dual-gate application. The color filter arrangement on panel is shown below.



16. REVISION HISTORY

Revision	Description	Date
Draft 0.1	1 st edition	2017/11
Draft 0.2	2 nd edition	2018/01
Version 0.3	3 rd edition	2018/01