



**ILITEK**  
Enrich visual experience

# ILI9327

---

## **a-Si TFT LCD Single Chip Driver 240RGBx432 Resolution and 262K color**

### **Preliminary Datasheet**

Version: V0.05  
Document No.: ILI9327DS\_V0.05.pdf

#### **ILI TECHNOLOGY CORP.**

8F, No. 38, Taiyuan St., Jhubei City,  
Hsinchu County 302, Taiwan, R.O.C.  
Tel.886-3-5600099; Fax.886-3-5600585  
<http://www.ilitek.com>

## Content

1. Introduction .....	5
2. Features .....	5
3. Block Diagram .....	7
4. Pin Descriptions .....	8
5. Pad Arrangement and Coordination .....	12
6. Block Function Description .....	20
7. Interface Description .....	22
7.1. Display Bus Interface (DBI) .....	22
7.1.1. Write Cycle .....	25
7.1.2. Read Cycle .....	26
7.2. Serial Interface (Type C) .....	27
7.2.1. Write Cycle and Sequence .....	27
7.2.2. Read Cycle and Sequence .....	29
7.2.3. Break and Pause Sequences .....	30
7.3. Display Pixel Interface (DPI) .....	32
7.4. Mobile Display Digital Interface (MDDI) .....	35
8. Command .....	45
8.1. Command List .....	45
8.2. Command Description .....	48
8.2.1. NOP (00h) .....	48
8.2.2. Soft_reset (01h) .....	49
8.2.3. Get_power_mode (0Ah) .....	50
8.2.4. Get_address_mode (0Bh) .....	52
8.2.5. Get_pixel_format (0Ch) .....	54
8.2.6. Get_display_mode (0Dh) .....	56
8.2.7. Get_signal_mode (0Eh) .....	58
8.2.8. Get_diagnostic_result (0Fh) .....	59
8.2.9. Enter_sleep_mode (10h) .....	60
8.2.10. Exit_sleep_mode (11h) .....	62
8.2.11. Enter_Partial_mode (12h) .....	64
8.2.12. Enter_normal_mode (13h) .....	65
8.2.13. Exit_invert_mode (20h) .....	66
8.2.14. Enter_invert_mode (21h) .....	67
8.2.15. Set_display_off (28h) .....	68
8.2.16. Set_display_on (29h) .....	69
8.2.17. Set_column_address (2Ah) .....	70
8.2.18. Set_page_address (2Bh) .....	72

8.2.19. Write_memory_start (2Ch).....	74
8.2.20. Read_memory_start (2Eh).....	76
8.2.21. Set_partial_area (30h).....	78
8.2.22. Set_scroll_area (33h).....	81
8.2.23. Set_tear_off (34h).....	84
8.2.24. Set_tear_on (35h).....	84
8.2.25. Set_address_mode (36h).....	86
8.2.26. Set_scroll_start (37h).....	89
8.2.27. Exit_idle_mode (38h).....	91
8.2.28. Enter_idle_mode (39h).....	92
8.2.29. Set_pixel_format (3Ah).....	94
8.2.30. Write_Memory_Continue (3Ch).....	96
8.2.31. Read_Memory_Continue (3Eh).....	98
8.2.32. Set_Tear_Scanline (44h).....	99
8.2.33. Get_Scanline (45h).....	101
8.2.34. Write Display Brightness (51h).....	102
8.2.35. Read Display Brightness (52h).....	103
8.2.36. Write CTRL Display (53h).....	105
8.2.37. Read CTRL Display (54h).....	107
8.2.38. Write Content Adaptive Brightness Control (55h).....	109
8.2.39. Read Content Adaptive Brightness Control (56h).....	110
8.2.40. Write CABC Minimum Brightness (5Eh).....	111
8.2.41. Read CABC Minimum Brightness (5Fh).....	112
8.2.42. Read_DDB_Start (A1h).....	113
8.2.43. Command Access Protect (B0h).....	114
8.2.44. Low Power Mode Control (B1h).....	115
8.2.45. Frame Memory Access and Interface Setting (B3h).....	119
8.2.46. Display Mode and Frame Memory Write Mode Setting (B4h).....	121
8.2.47. Sub-Panel Control Register (B5h).....	122
8.2.48. Backlight Control 1 (B8h).....	123
8.2.49. Backlight Control 2 (B9h).....	124
8.2.50. Backlight Control 3 (BAh).....	126
8.2.51. Backlight Control 4 (BBh).....	127
8.2.52. Backlight Control 5 (BCh).....	129
8.2.53. Backlight Control 7 (BEh).....	131
8.2.54. Backlight Control 8 (BFh).....	132
8.2.55. Panel Driving Setting (C0h).....	133
8.2.56. Display_Timing_Setting for Normal/Partial Mode (C1h).....	137
8.2.57. Display_Timing_Setting for Idle Mode (C3h).....	139
8.2.58. Source/VCOM/Gate Timing Setting (C4h).....	141

8.2.59.	Frame Rate Control (C5h)	142
8.2.60.	Interface Control (C6h)	143
8.2.61.	Gamma Setting (C8h)	144
8.2.62.	Gamma Setting for Red/Blue Color (C9h)	146
8.2.63.	Power_Setting (D0h)	148
8.2.64.	VCOM Control (D1h)	150
8.2.65.	Power_Setting for Normal Mode (D2h)	153
8.2.66.	Power_Setting for Partial Mode (D3h)	155
8.2.67.	Power_Setting for Idle Mode (D4h)	157
8.2.68.	NV Memory Write (E0h)	159
8.2.69.	NV Memory Control (E1h)	160
8.2.70.	NV Memory Status Read (E2h)	161
8.2.71.	NV Memory Protection (E3h)	162
8.2.72.	3-Gamma Function Control (EAh)	163
8.2.73.	Device Code Read (EFh)	164
9.	Display Data RAM	165
9.1.	Configuration	165
9.2.	Memory to Display Address Mapping	166
9.3.	Vertical Scroll Mode	167
10.	Tearing Effect Output	169
10.1.	Tearing Effect Line Modes	169
10.2.	Tearing Effect Line Timings	170
11.	Sub-panel Control	171
12.	NV Memory Programming Flow	175
13.	Gamma Correction	176
14.	Application	183
14.1.	Application Circuit	183
14.2.	Power Supply Configuration	184
15.	Electrical Characteristics	185
15.1.	Absolute Maximum Ratings	185
15.2.	DC Characteristics	186
15.3.	AC Characteristics	187
15.3.1.	DBI Type B (18/16/9/8 bit) Interface Timing Characteristics	187
15.3.2.	DBI Type C (SPI) Interface Timing Characteristics	189
15.3.3.	DPI Interface Timing Characteristics	190
16.	Revision History	191

## 1. Introduction

ILI9327 is a 262,144-color single-chip SoC driver for a-TFT liquid crystal display with resolution of 240RGBx432 dots, comprising a 720-channel source driver, a 432-channel gate driver, 233,280 bytes GRAM for graphic data of 240RGBx432 dots, and power supply circuit.

The ILI9327 supports 18-/16-/9-/8-bit data bus interface (DBI) and serial peripheral interfaces (SPI). It also supplies 18-bit, 16-bit or 6-bit RGB interface (DPI) for driving video signal directly from application controller. The moving picture area can be specified in internal GRAM by window address function. The specified window area can be updated selectively, so that moving picture can be displayed simultaneously independent of still picture area.

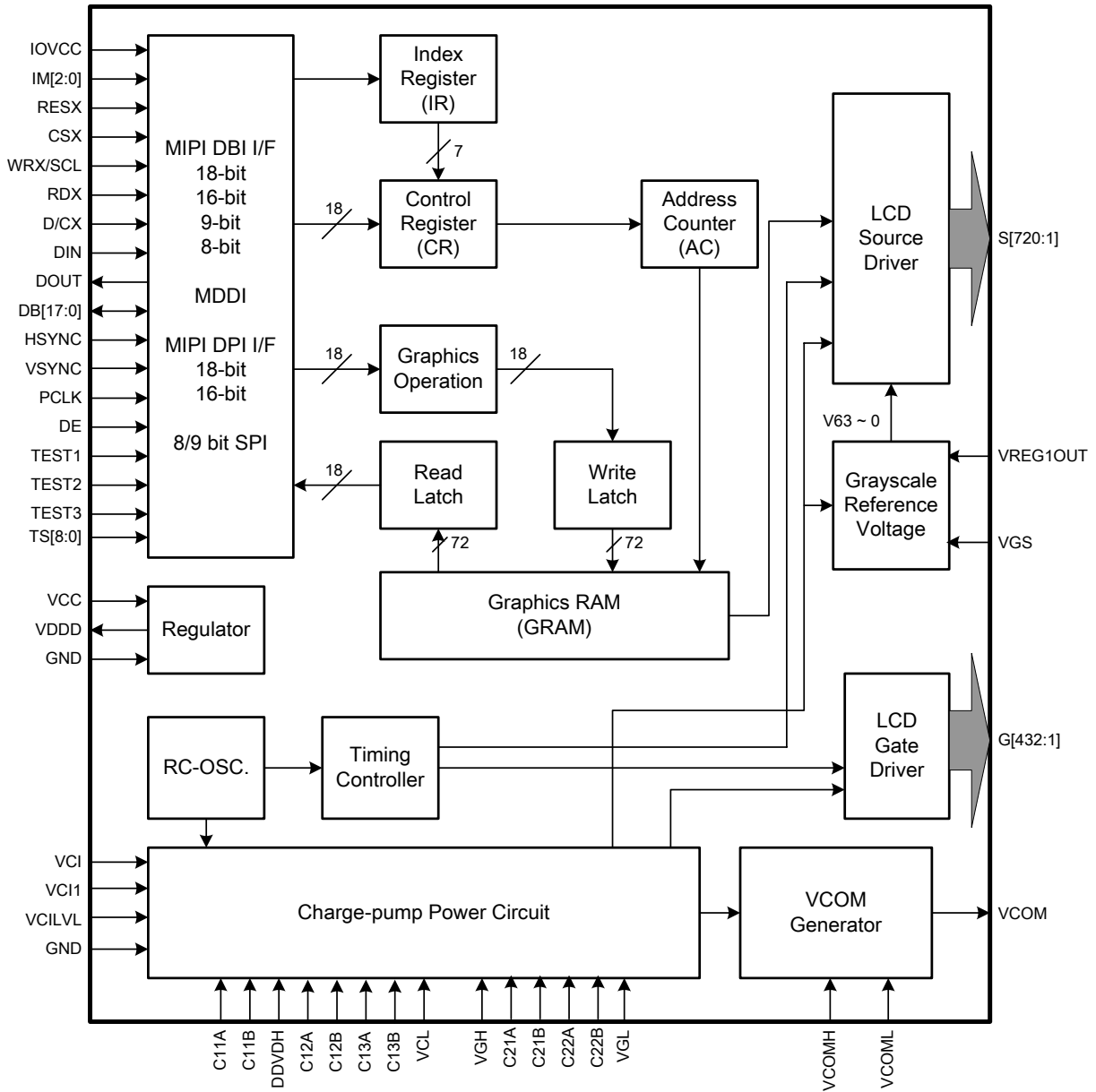
ILI9327 can operate with 1.65V I/O interface voltage, and an incorporated voltage follower circuit to generate voltage levels for driving an LCD. The ILI9327 also supports a function to display in 8 colors and a sleep mode, allowing for precise power control by software and these features make the ILI9327 an ideal LCD driver for medium or small size portable products such as digital cellular phones, smart phone, MP3 and PMP where long battery life is a major concern.

## 2. Features

- ◆ Display resolution: [240xRGB](H) x 432(V)
- ◆ Output:
  - 720 source outputs
  - 432 gate outputs
  - Common electrode output
- ◆ a-TFT LCD driver with on-chip full display RAM: 233,280 bytes
- ◆ MCU Interface
  - MIPI DBI
    - Type B 16-/18- bit, 8-/9- bit
    - Type C 4-line 9bit (Option 1), 8bit (Option 3)
  - MIPI DPI
    - Type B 16-/18- bit
  - MIPI DCS command sets
  - MDDI high speed serial interface
- ◆ Display mode:
  - Full color mode: 262K-color
  - Separate RGB gamma
  - Reduced color mode: 8-colors (3-bits MSB bits mode)
- ◆ On chip functions:
  - VCOM generator and adjustment
  - Timing generator
  - Oscillator
  - DC/DC converter
  - Line/frame inversion
- ◆ MTP:
  - 7-bits for VCOM adjustment

- ◆ Low -power consumption architecture
  - Low operating power supplies:
    - IOVcc = 1.65V ~ 3.6V (interface I/O)
    - Vci = 2.5V ~ 3.6V (analog)
- ◆ LCD Voltage drive:
  - Source/VCOM power supply voltage
    - DDVDH - GND = 4.5V ~ 6.0V
    - VCL – GND = -2.0V ~ -3.0V
    - VCI - VCL  $\leq$  6.0V
  - Gate driver output voltage
    - VGH - GND = 10V ~ 20V
    - VGL – GND = -5V ~ -15V
    - VGH - VGL  $\leq$  30V
  - VCOM driver output voltage
    - VCOMH = 3.0V ~ (DDVDH-0.5)V
    - VCOML = (VCL+0.5)V ~ 0V
    - VCOMH - VCOML  $\leq$  6.0V
- ◆ Operate temperature range: -40°C to 85°C

### 3. Block Diagram



## 4. Pin Descriptions

Pin Name	I/O	Descriptions																																																						
IM[2:0]	I (IOVCC)	Select the MPU system interface mode																																																						
		<table border="1"> <thead> <tr> <th>IM2</th> <th>IM1</th> <th>IM0</th> <th>MPU-Interface Mode</th> <th>DB Pin in use</th> <th>Colors</th> </tr> </thead> <tbody> <tr> <td>0</td> <td>0</td> <td>0</td> <td>DBI Type B 18-bit</td> <td>DB[17:0]</td> <td>262K</td> </tr> <tr> <td>0</td> <td>0</td> <td>1</td> <td>DBI Type B 9-bit</td> <td>DB[8:0]</td> <td>262K</td> </tr> <tr> <td>0</td> <td>1</td> <td>0</td> <td>DBI Type B 16-bit</td> <td>DB[15:0]</td> <td>65K/262K</td> </tr> <tr> <td>0</td> <td>1</td> <td>1</td> <td>DBI Type B 8-bit</td> <td>DB[7:0]</td> <td>65K/262K</td> </tr> <tr> <td>1</td> <td>0</td> <td>0</td> <td>MDDI</td> <td>-</td> <td>65K/262K</td> </tr> <tr> <td>1</td> <td>0</td> <td>1</td> <td>DBI Type C 9-bit</td> <td>DIN, DOUT</td> <td>8/262K</td> </tr> <tr> <td>1</td> <td>1</td> <td>0</td> <td>CPU 9-bit</td> <td>DB[8:0]/DB[8:1]</td> <td>262K</td> </tr> <tr> <td>1</td> <td>1</td> <td>1</td> <td>DBI Type C 8-bit</td> <td>DIN, DOUT</td> <td>8/262K</td> </tr> </tbody> </table>	IM2	IM1	IM0	MPU-Interface Mode	DB Pin in use	Colors	0	0	0	DBI Type B 18-bit	DB[17:0]	262K	0	0	1	DBI Type B 9-bit	DB[8:0]	262K	0	1	0	DBI Type B 16-bit	DB[15:0]	65K/262K	0	1	1	DBI Type B 8-bit	DB[7:0]	65K/262K	1	0	0	MDDI	-	65K/262K	1	0	1	DBI Type C 9-bit	DIN, DOUT	8/262K	1	1	0	CPU 9-bit	DB[8:0]/DB[8:1]	262K	1	1	1	DBI Type C 8-bit	DIN, DOUT	8/262K
		IM2	IM1	IM0	MPU-Interface Mode	DB Pin in use	Colors																																																	
		0	0	0	DBI Type B 18-bit	DB[17:0]	262K																																																	
		0	0	1	DBI Type B 9-bit	DB[8:0]	262K																																																	
		0	1	0	DBI Type B 16-bit	DB[15:0]	65K/262K																																																	
		0	1	1	DBI Type B 8-bit	DB[7:0]	65K/262K																																																	
		1	0	0	MDDI	-	65K/262K																																																	
		1	0	1	DBI Type C 9-bit	DIN, DOUT	8/262K																																																	
1	1	0	CPU 9-bit	DB[8:0]/DB[8:1]	262K																																																			
1	1	1	DBI Type C 8-bit	DIN, DOUT	8/262K																																																			
RESX	I (IOVCC)	This signal low will reset the device and must be applied to properly initialize the chip. Signal is low active																																																						
CSX	I (IOVCC)	Chip select input pin ("Low" enable). When it is not used, please fix this pin at IOVCC.																																																						
D/CX	I (IOVCC)	Display data / Command selection pin D/CX='1': Display data. D/CX='0': Command data. If not used, please fix this pin at GND level.																																																						
RDX	I (IOVCC)	Read control pin for the DBI interface. If not used, please connect this pin to IOVCC.																																																						
WRX/SCL	I (IOVCC)	Write control pin for the DBI interface. When the DBI type C is selected, this pin is used as serial clock pin. If not used, please connect this pin to IOVCC.																																																						
DB[17:9]/S_DB[8:0]	I/O (IOVCC)	These pins are data bus. In MDDI operation, DB[17:9]/S_DB[8:0] can be assigned for the sub-display interface output. <i>In MDDI mode, these pins are output, If they are not used; please let these pins as open.</i> <i>In other mode, these pins are input, If they are not used; please fix these pins as GND.</i>																																																						
DB[8:0]	I/O (IOVCC)	These pins are data bus. If not used, please connect these pins to GND.																																																						
DIN/SDA	I/O (IOVCC)	Serial data input pin and used for the DBI type C mode. If not used, please connect this pin to ground.																																																						
DOUT	O (IOVCC)	Serial data output pin and used for the DBI type C mode.																																																						
TE	O (IOVCC)	Tearing effect output pin to synchronies MCU to frame writing, activated by S/W command. When this pin is not activated, this pin is low. If not used, please open this pin.																																																						
PCLK	I (IOVCC)	Pixel clock signal in DPI interface mode. If not used, please fix this pin at GND level.																																																						
VSYNC (S_CS)	I (IOVCC)	Vertical sync. signal in DPI interface mode.																																																						



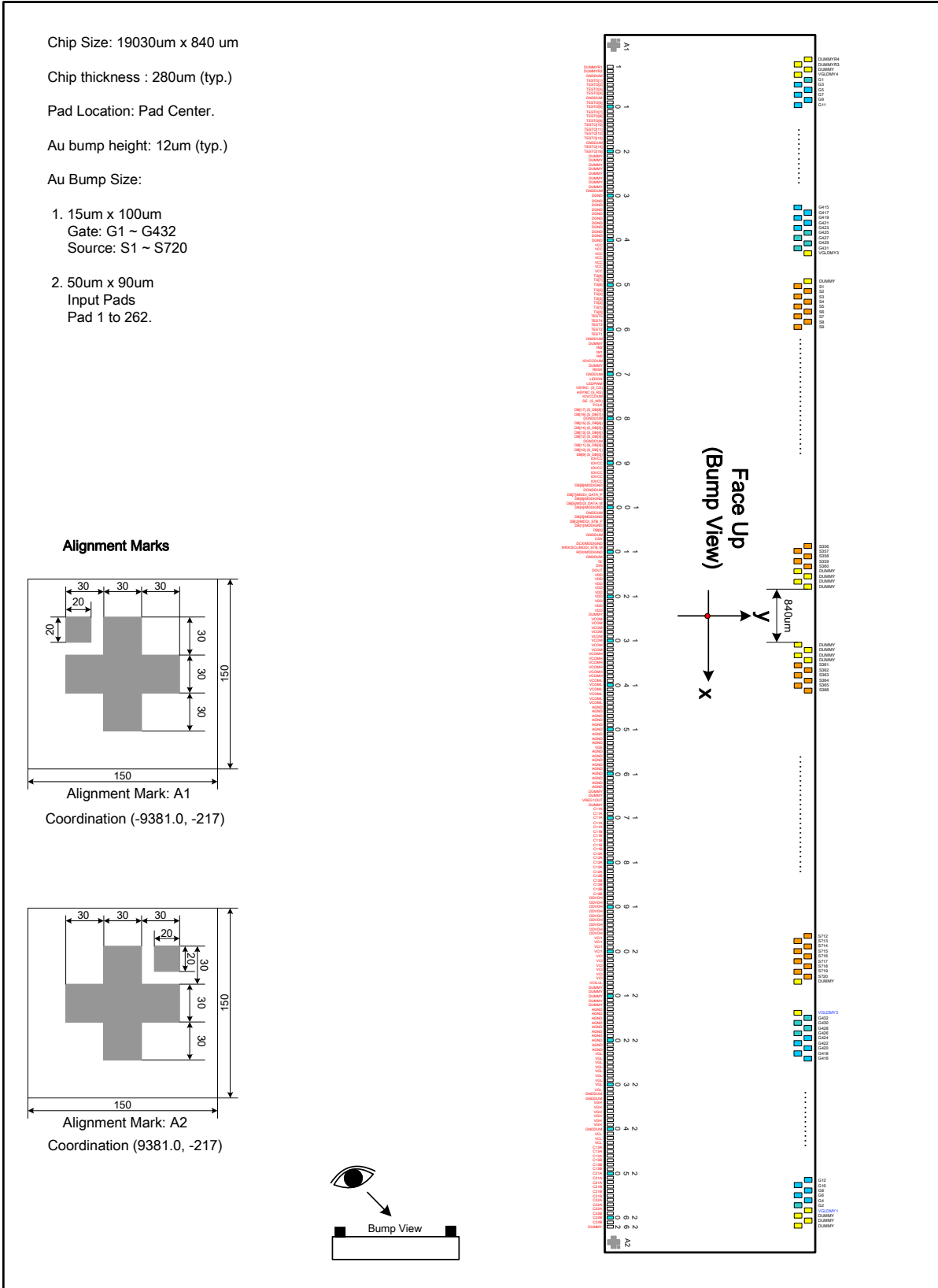
Pin Name	I/O	Descriptions
		In MDDI operation, VSYNC is assigned for the sub-display interface output (S_CS) <i>In MDDI mode, this is an output pin, If it's not used; please let this pin as open.</i> <i>In other mode, this is an input pin, If it's not used; please fix this pin as GND.</i>
HSYNC (S_RS)	I (IOVCC)	Horizontal sync. signal in DPI interface mode. In MDDI operation, VSYNC is assigned for the sub-display interface output (S_RS) <i>In MDDI mode, this is an output pin, If it's not used; please let this pin as open.</i> <i>In other mode, this is an input pin, If it's not used; please fix this pin as GND.</i>
DE (S_WR)	I (IOVCC)	Data enable signal in DPI interface mode. In MDDI operation, VSYNC is assigned for the sub-display interface output (S_WR) <i>In MDDI mode, this is an output pin, If it's not used; please let this pin as open.</i> <i>In other mode, this is an input pin, If it's not used; please fix this pin as GND.</i>
<b>Power Input Pins</b>		
IOVCC	P	Power supply to interface pins Connect to external power supply (IOVCC= 1.65~3.6V).
Vci	P	Power supply to liquid crystal power supply analog circuit. Connect to external power supply (Vci=2.5~3.6V).
VciLVL	P	VREG1OUT reference voltage. Please connect this pin to a stable voltage.
VCC	P	Power supply Connect to external power supply (VCC=2.5~3.6V).
DGND AGND	P	Power ground pin. Make sure AGND=DGND=0V.
<b>LCD signals Pins</b>		
S1 ~ S720	O	Source driver output pins.
G1 ~ G432	O	Gate driver output pins.
VDD	O	Internal logic regulator output. Used as internal logic power supply. Connect to stabilizing capacitor.
VC11	P	Reference voltage for the step-up circuit 1. Set VC11 level so that DDVDH, VGH and VGL are within the ratings.
DDVDH	P	Power supply for the source driver and VCOM.
VGH	P	Power supply to drive liquid crystal.
VGL	P	Power supply for LCD drive.
VCL	P	Power supply to drive VCOML.
C11A, C11B, C12A, C12B	P	Make sure to connect to capacitor that is used in internal step-up circuit 1.
C13A, C13B, C21A, C21B, C22A, C22B,	P	Make sure to connect to capacitor that is used in internal step-up circuit 2. Connect to capacitors according to the step-up factors in use.

Pin Name	I/O	Descriptions
VREG1OUT	P	Outputs voltage level generated from VRH VCILVL. The step-up factor applied to VRH VCILVL is set by VRH bits. Used as source driver grayscale reference voltage VREG1OUT, reference voltage to VCOMH, and Vcom amplitude reference voltage. Connect to stabilizing capacitor when in use. $VREG1OUT=4.0\sim(DDVDH-0.2)[V]$
VCOM	P	TFT display common electrode power supply. Alternates between voltage levels between VCOMH-VCOML. Registers set the alternating cycle. Registers set the alternating cycle and operate or halt VCOM.
VCOMH	P	VCOM high level. Adjust the voltage by internal electronic volume (VCM)
VCOML	P	VCOM low level. Adjust the voltage by VDV bits. $VCOML=(VCL+0.5)\sim 0[V]$
VGS	I	Reference level for grayscale generating circuit.
<b>LED Driver pins</b>		
LEDPWM	O (VCC)	Control signal for brightness of LED backlight. PWM signal's width is selected from 256 values between 0% (Low) and 100% (High). The amplitude of LEDPWM signal is VCC-DGND. If this pin is not used, please open this pin.
LEDON	O (VCC)	This pin is connected to external LED driver. It's a LED driver control pin which is used for turning ON/OFF of LED backlight. The amplitude of LEDPWM signal is VCC-DGND. If this pin is not used, please open this pin.
<b>TEST pins</b>		
TS[8:0]	-	Test pins These pins are internal pulled low. Please leave these pins as open.
TESTO[16:1]	O	Test pins These pins are internal pulled low. Please leave these pins as open.
TEST1-5	I/O	Test pins These pins are internal pulled low. Please leave these pins as open.
TEST_EN	I	Test pins (Internal pull low) Please leave these pins as open.
GNDDUM IOVCCDUM	-	The ground voltage level output. Pins to fix the electrical potentials of unused interface and test pins.
DUMMYR1~2	-	DUMMYR1 and DUMMYR4, DUMMYR2 and DUMMYR3 are short together within the chip
DUMMY	-	Dummy Pins These pins are floating.
VGLDMY1~4	O	VGL dummy pin These pins are VGL output pin. Please leave these pins as open.

**Liquid crystal power supply specifications Table**

No.	Item	Description	
1	TFT Source Driver	720 pins (240x RGB)	
2	TFT Gate Driver	432 pins	
3	TFT Display's Capacitor Structure	Cst structure only (Common VCOM)	
4	Liquid Crystal Drive Output	S1 ~ S720	V0 ~ V63 grayscales
		G1 ~ G432	VGH - VGL
		VCOM	VCOMH - VCOML: Amplitude = electronic volumes
5	Input Voltage	IOVcc	1.65 ~ 3.6V
		Vci	2.50 ~ 3.6V
6	Liquid Crystal Drive Voltages	DDVDH	4.5V ~ 6.0V
		VGH	10V ~ 18V
		VGL	-5V ~ -15V
		VCL	-1.0V ~ -3.0V
		VGH - VGL	Max. 30V
		Vci - VCL	Max. 6.0V
7	Internal Step-up Circuits	DDVDH	Vci1 x2
		VGH	Vci1 x4, x5, x6
		VGL	Vci1 x-3, x-4, x-5
		VCL	Vci1 x-1

## 5. Pad Arrangement and Coordination



Pad No.	Pad Name	X	Y	Pad No.	Pad Name	X	Y	Pad No.	Pad Name	X	Y	Pad No.	Pad Name	X	Y	Pad No.	Pad Name	X	Y
1	DUMMYR1	-9135	-315	51	TS5	-5635	-315	101	GNDDUM	-2135	-315	151	GND	1365	-315	201	VCI	4865	-315
2	DUMMYR2	-9065	-315	52	TS4	-5565	-315	102	DB3/MDDIGND	-2065	-315	152	GND	1435	-315	202	VCI	4935	-315
3	GNDDUM	-8995	-315	53	TS3	-5495	-315	103	DB2/ MDDI_STB_P	-1995	-315	153	GND	1505	-315	203	VCI	5005	-315
4	TESTO1	-8925	-315	54	TS2	-5425	-315	104	DB1/ MDDIGND	-1925	-315	154	VGS	1575	-315	204	VCI	5075	-315
5	TESTO2	-8855	-315	55	TS1	-5355	-315	105	DB0	-1855	-315	155	AGND	1645	-315	205	VCI	5145	-315
6	TESTO3	-8785	-315	56	TS0	-5285	-315	106	GNDDUM	-1785	-315	156	AGND	1715	-315	206	VCI	5215	-315
7	TESTO4	-8715	-315	57	TEST5	-5215	-315	107	CSX	-1715	-315	157	AGND	1785	-315	207	VCILVL	5285	-315
8	GNDDUM	-8645	-315	58	TEST4	-5145	-315	108	DCX/MDDIGND	-1645	-315	158	AGND	1855	-315	208	DUMMY	5355	-315
9	TESTO5	-8575	-315	59	TEST3	-5075	-315	109	WRX/SCL/MDDI_STB_M	-1575	-315	159	AGND	1925	-315	209	DUMMY	5425	-315
10	TESTO6	-8505	-315	60	TEST2	-5005	-315	110	RDX/MDDIGND	-1505	-315	160	AGND	1995	-315	210	DUMMY	5495	-315
11	TESTO7	-8435	-315	61	TEST1	-4935	-315	111	GNDDUM	-1435	-315	161	AGND	2065	-315	211	DUMMY	5565	-315
12	TESTO8	-8365	-315	62	GNDDUM	-4865	-315	112	TE	-1365	-315	162	AGND	2135	-315	212	DUMMY	5635	-315
13	TESTO9	-8295	-315	63	DUMMY	-4795	-315	113	DIN	-1295	-315	163	AGND	2205	-315	213	GND	5705	-315
14	TESTO10	-8225	-315	64	IM2	-4725	-315	114	DOU	-1225	-315	164	DUMMY	2275	-315	214	GND	5775	-315
15	TESTO11	-8155	-315	65	IM1	-4655	-315	115	VDD	-1155	-315	165	DUMMY	2345	-315	215	GND	5845	-315
16	TESTO12	-8085	-315	66	IM0	-4585	-315	116	VDD	-1085	-315	166	VREG1OUT	2415	-315	216	GND	5915	-315
17	TESTO13	-8015	-315	67	IOVCCDUM	-4515	-315	117	VDD	-1015	-315	167	DUMMY	2485	-315	217	GND	5985	-315
18	GNDDUM	-7945	-315	68	DUMMY	-4445	-315	118	VDD	-945	-315	168	C11A	2555	-315	218	AGND	6055	-315
19	TESTO14	-7875	-315	69	RESX	-4375	-315	119	VDD	-875	-315	169	C11A	2625	-315	219	AGND	6125	-315
20	TESTO15	-7805	-315	70	GNDDUM	-4305	-315	120	VDD	-805	-315	170	C11A	2695	-315	220	AGND	6195	-315
21	TESTO16	-7735	-315	71	LEDON	-4235	-315	121	VDD	-735	-315	171	C11A	2765	-315	221	AGND	6265	-315
22	DUMMY	-7665	-315	72	LEDPWM	-4165	-315	122	VDD	-665	-315	172	C11A	2835	-315	222	AGND	6335	-315
23	DUMMY	-7595	-315	73	VSYNC (S_CS)	-4095	-315	123	VDD	-595	-315	173	C11B	2905	-315	223	VGL	6405	-315
24	DUMMY	-7525	-315	74	HSYNC (S_RS)	-4025	-315	124	DUMMY	-525	-315	174	C11B	2975	-315	224	VGL	6475	-315
25	DUMMY	-7455	-315	75	IOVCCDUM	-3955	-315	125	VCOM	-455	-315	175	C11B	3045	-315	225	VGL	6545	-315
26	DUMMY	-7385	-315	76	DE (S_WR)	-3885	-315	126	VCOM	-385	-315	176	C11B	3115	-315	226	VGL	6615	-315
27	DUMMY	-7315	-315	77	PCLK	-3815	-315	127	VCOM	-315	-315	177	C11B	3185	-315	227	VGL	6685	-315
28	TEST_EN	-7245	-315	78	DB17 (S_DB[8])	-3745	-315	128	VCOM	-245	-315	178	C12A	3255	-315	228	VGL	6755	-315
29	GNDDUM	-7175	-315	79	DB16 (S_DB[7])	-3675	-315	129	VCOM	-175	-315	179	C12A	3325	-315	229	VGL	6825	-315
30	GND	-7105	-315	80	GNDDUM	-3605	-315	130	VCOM	-105	-315	180	C12A	3395	-315	230	VGL	6895	-315
31	GND	-7035	-315	81	DB15 (S_DB[6])	-3535	-315	131	VCOM	-35	-315	181	C12A	3465	-315	231	VGL	6965	-315
32	GND	-6965	-315	82	DB14 (S_DB[5])	-3465	-315	132	VCOM	35	-315	182	C12A	3535	-315	232	GNDDUM	7035	-315
33	GND	-6895	-315	83	DB13 (S_DB[4])	-3395	-315	133	VCOMH	105	-315	183	C12B	3605	-315	233	GNDDUM	7105	-315
34	GND	-6825	-315	84	DB12 (S_DB[3])	-3325	-315	134	VCOMH	175	-315	184	C12B	3675	-315	234	VGH	7175	-315
35	GND	-6755	-315	85	GNDDUM	-3255	-315	135	VCOMH	245	-315	185	C12B	3745	-315	235	VGH	7245	-315
36	GND	-6685	-315	86	DB11 (S_DB[2])	-3185	-315	136	VCOMH	315	-315	186	C12B	3815	-315	236	VGH	7315	-315
37	GND	-6615	-315	87	DB10 (S_DB[1])	-3115	-315	137	VCOMH	385	-315	187	C12B	3885	-315	237	VGH	7385	-315
38	GND	-6545	-315	88	DB9 (S_DB[0])	-3045	-315	138	VCOMH	455	-315	188	DDVDH	3955	-315	238	VGH	7455	-315
39	GND	-6475	-315	89	IOVCC	-2975	-315	139	VCOML	525	-315	189	DDVDH	4025	-315	239	VGH	7525	-315
40	GND	-6405	-315	90	IOVCC	-2905	-315	140	VCOML	595	-315	190	DDVDH	4095	-315	240	GNDDUM	7595	-315
41	VCC	-6335	-315	91	IOVCC	-2835	-315	141	VCOML	665	-315	191	DDVDH	4165	-315	241	VCL	7665	-315
42	VCC	-6265	-315	92	IOVCC	-2765	-315	142	VCOML	735	-315	192	DDVDH	4235	-315	242	VCL	7735	-315
43	VCC	-6195	-315	93	IOVCC	-2695	-315	143	VCOML	805	-315	193	DDVDH	4305	-315	243	VCL	7805	-315
44	VCC	-6125	-315	94	IOVCC	-2625	-315	144	VCOML	875	-315	194	DDVDH	4375	-315	244	C13A	7875	-315
45	VCC	-6055	-315	95	DB8/MDDIGND	-2555	-315	145	GND	945	-315	195	DDVDH	4445	-315	245	C13A	7945	-315
46	VCC	-5985	-315	96	GNDDUM	-2485	-315	146	GND	1015	-315	196	DDVDH	4515	-315	246	C13A	8015	-315
47	VCC	-5915	-315	97	DB7/MDDI_DATA_P	-2415	-315	147	GND	1085	-315	197	VCI1	4585	-315	247	C13B	8085	-315
48	TS8	-5845	-315	98	DB6/MDDIGND	-2345	-315	148	GND	1155	-315	198	VCI1	4655	-315	248	C13B	8155	-315
49	TS7	-5775	-315	99	DB5/MDDI_DATA_M	-2275	-315	149	GND	1225	-315	199	VCI1	4725	-315	249	C13B	8225	-315
50	TS6	-5705	-315	100	DB4/MDDIGND	-2205	-315	150	GND	1295	-315	200	VCI1	4795	-315	250	C21A	8295	-315

Pad No.	Pad Name	X	Y	Pad No.	Pad Name	X	Y	Pad No.	Pad Name	X	Y	Pad No.	Pad Name	X	Y	Pad No.	Pad Name	X	Y
251	C21A	8365	-315	301	G70	8827.5	191	351	G170	8077.5	191	401	G270	7327.5	191	451	G370	6577.5	191
252	C21A	8435	-315	302	G72	8812.5	310	352	G172	8062.5	310	402	G272	7312.5	310	452	G372	6562.5	310
253	C21B	8505	-315	303	G74	8797.5	191	353	G174	8047.5	191	403	G274	7297.5	191	453	G374	6547.5	191
254	C21B	8575	-315	304	G76	8782.5	310	354	G176	8032.5	310	404	G276	7282.5	310	454	G376	6532.5	310
255	C21B	8645	-315	305	G78	8767.5	191	355	G178	8017.5	191	405	G278	7267.5	191	455	G378	6517.5	191
256	C22A	8715	-315	306	G80	8752.5	310	356	G180	8002.5	310	406	G280	7252.5	310	456	G380	6502.5	310
257	C22A	8785	-315	307	G82	8737.5	191	357	G182	7987.5	191	407	G282	7237.5	191	457	G382	6487.5	191
258	C22A	8855	-315	308	G84	8722.5	310	358	G184	7972.5	310	408	G284	7222.5	310	458	G384	6472.5	310
259	C22B	8925	-315	309	G86	8707.5	191	359	G186	7957.5	191	409	G286	7207.5	191	459	G386	6457.5	191
260	C22B	8995	-315	310	G88	8692.5	310	360	G188	7942.5	310	410	G288	7192.5	310	460	G388	6442.5	310
261	C22B	9065	-315	311	G90	8677.5	191	361	G190	7927.5	191	411	G290	7177.5	191	461	G390	6427.5	191
262	DUMMY	9135	-315	312	G92	8662.5	310	362	G192	7912.5	310	412	G292	7162.5	310	462	G392	6412.5	310
263	DUMMY	9397.5	191	313	G94	8647.5	191	363	G194	7897.5	191	413	G294	7147.5	191	463	G394	6397.5	191
264	DUMMY	9382.5	310	314	G96	8632.5	310	364	G196	7882.5	310	414	G296	7132.5	310	464	G396	6382.5	310
265	DUMMY	9367.5	191	315	G98	8617.5	191	365	G198	7867.5	191	415	G298	7117.5	191	465	G398	6367.5	191
266	VGLDMY1	9352.5	310	316	G100	8602.5	310	366	G200	7852.5	310	416	G300	7102.5	310	466	G400	6352.5	310
267	G2	9337.5	191	317	G102	8587.5	191	367	G202	7837.5	191	417	G302	7087.5	191	467	G402	6337.5	191
268	G4	9322.5	310	318	G104	8572.5	310	368	G204	7822.5	310	418	G304	7072.5	310	468	G404	6322.5	310
269	G6	9307.5	191	319	G106	8557.5	191	369	G206	7807.5	191	419	G306	7057.5	191	469	G406	6307.5	191
270	G8	9292.5	310	320	G108	8542.5	310	370	G208	7792.5	310	420	G308	7042.5	310	470	G408	6292.5	310
271	G10	9277.5	191	321	G110	8527.5	191	371	G210	7777.5	191	421	G310	7027.5	191	471	G410	6277.5	191
272	G12	9262.5	310	322	G112	8512.5	310	372	G212	7762.5	310	422	G312	7012.5	310	472	G412	6262.5	310
273	G14	9247.5	191	323	G114	8497.5	191	373	G214	7747.5	191	423	G314	6997.5	191	473	G414	6247.5	191
274	G16	9232.5	310	324	G116	8482.5	310	374	G216	7732.5	310	424	G316	6982.5	310	474	G416	6232.5	310
275	G18	9217.5	191	325	G118	8467.5	191	375	G218	7717.5	191	425	G318	6967.5	191	475	G418	6217.5	191
276	G20	9202.5	310	326	G120	8452.5	310	376	G220	7702.5	310	426	G320	6952.5	310	476	G420	6202.5	310
277	G22	9187.5	191	327	G122	8437.5	191	377	G222	7687.5	191	427	G322	6937.5	191	477	G422	6187.5	191
278	G24	9172.5	310	328	G124	8422.5	310	378	G224	7672.5	310	428	G324	6922.5	310	478	G424	6172.5	310
279	G26	9157.5	191	329	G126	8407.5	191	379	G226	7657.5	191	429	G326	6907.5	191	479	G426	6157.5	191
280	G28	9142.5	310	330	G128	8392.5	310	380	G228	7642.5	310	430	G328	6892.5	310	480	G428	6142.5	310
281	G30	9127.5	191	331	G130	8377.5	191	381	G230	7627.5	191	431	G330	6877.5	191	481	G430	6127.5	191
282	G32	9112.5	310	332	G132	8362.5	310	382	G232	7612.5	310	432	G332	6862.5	310	482	G432	6112.5	310
283	G34	9097.5	191	333	G134	8347.5	191	383	G234	7597.5	191	433	G334	6847.5	191	483	VGLDMY2	6097.5	191
284	G36	9082.5	310	334	G136	8332.5	310	384	G236	7582.5	310	434	G336	6832.5	310	484	TESTO5	5887.5	191
285	G38	9067.5	191	335	G138	8317.5	191	385	G238	7567.5	191	435	G338	6817.5	191	485	S720	5872.5	310
286	G40	9052.5	310	336	G140	8302.5	310	386	G240	7552.5	310	436	G340	6802.5	310	486	S719	5857.5	191
287	G42	9037.5	191	337	G142	8287.5	191	387	G242	7537.5	191	437	G342	6787.5	191	487	S718	5842.5	310
288	G44	9022.5	310	338	G144	8272.5	310	388	G244	7522.5	310	438	G344	6772.5	310	488	S717	5827.5	191
289	G46	9007.5	191	339	G146	8257.5	191	389	G246	7507.5	191	439	G346	6757.5	191	489	S716	5812.5	310
290	G48	8992.5	310	340	G148	8242.5	310	390	G248	7492.5	310	440	G348	6742.5	310	490	S715	5797.5	191
291	G50	8977.5	191	341	G150	8227.5	191	391	G250	7477.5	191	441	G350	6727.5	191	491	S714	5782.5	310
292	G52	8962.5	310	342	G152	8212.5	310	392	G252	7462.5	310	442	G352	6712.5	310	492	S713	5767.5	191
293	G54	8947.5	191	343	G154	8197.5	191	393	G254	7447.5	191	443	G354	6697.5	191	493	S712	5752.5	310
294	G56	8932.5	310	344	G156	8182.5	310	394	G256	7432.5	310	444	G356	6682.5	310	494	S711	5737.5	191
295	G58	8917.5	191	345	G158	8167.5	191	395	G258	7417.5	191	445	G358	6667.5	191	495	S710	5722.5	310
296	G60	8902.5	310	346	G160	8152.5	310	396	G260	7402.5	310	446	G360	6652.5	310	496	S709	5707.5	191
297	G62	8887.5	191	347	G162	8137.5	191	397	G262	7387.5	191	447	G362	6637.5	191	497	S708	5692.5	310
298	G64	8872.5	310	348	G164	8122.5	310	398	G264	7372.5	310	448	G364	6622.5	310	498	S707	5677.5	191
299	G66	8857.5	191	349	G166	8107.5	191	399	G266	7357.5	191	449	G366	6607.5	191	499	S706	5662.5	310
300	G68	8842.5	310	350	G168	8092.5	310	400	G268	7342.5	310	450	G368	6592.5	310	500	S705	5647.5	191

Pad No.	Pad Name	X	Y	Pad No.	Pad Name	X	Y	Pad No.	Pad Name	X	Y	Pad No.	Pad Name	X	Y	Pad No.	Pad Name	X	Y
501	S704	5632.5	310	551	S654	4882.5	310	601	S604	4132.5	310	651	S554	3382.5	310	701	S504	2632.5	310
502	S703	5617.5	191	552	S653	4867.5	191	602	S603	4117.5	191	652	S553	3367.5	191	702	S503	2617.5	191
503	S702	5602.5	310	553	S652	4852.5	310	603	S602	4102.5	310	653	S552	3352.5	310	703	S502	2602.5	310
504	S701	5587.5	191	554	S651	4837.5	191	604	S601	4087.5	191	654	S551	3337.5	191	704	S501	2587.5	191
505	S700	5572.5	310	555	S650	4822.5	310	605	S600	4072.5	310	655	S550	3322.5	310	705	S500	2572.5	310
506	S699	5557.5	191	556	S649	4807.5	191	606	S599	4057.5	191	656	S549	3307.5	191	706	S499	2557.5	191
507	S698	5542.5	310	557	S648	4792.5	310	607	S598	4042.5	310	657	S548	3292.5	310	707	S498	2542.5	310
508	S697	5527.5	191	558	S647	4777.5	191	608	S597	4027.5	191	658	S547	3277.5	191	708	S497	2527.5	191
509	S696	5512.5	310	559	S646	4762.5	310	609	S596	4012.5	310	659	S546	3262.5	310	709	S496	2512.5	310
510	S695	5497.5	191	560	S645	4747.5	191	610	S595	3997.5	191	660	S545	3247.5	191	710	S495	2497.5	191
511	S694	5482.5	310	561	S644	4732.5	310	611	S594	3982.5	310	661	S544	3232.5	310	711	S494	2482.5	310
512	S693	5467.5	191	562	S643	4717.5	191	612	S593	3967.5	191	662	S543	3217.5	191	712	S493	2467.5	191
513	S692	5452.5	310	563	S642	4702.5	310	613	S592	3952.5	310	663	S542	3202.5	310	713	S492	2452.5	310
514	S691	5437.5	191	564	S641	4687.5	191	614	S591	3937.5	191	664	S541	3187.5	191	714	S491	2437.5	191
515	S690	5422.5	310	565	S640	4672.5	310	615	S590	3922.5	310	665	S540	3172.5	310	715	S490	2422.5	310
516	S689	5407.5	191	566	S639	4657.5	191	616	S589	3907.5	191	666	S539	3157.5	191	716	S489	2407.5	191
517	S688	5392.5	310	567	S638	4642.5	310	617	S588	3892.5	310	667	S538	3142.5	310	717	S488	2392.5	310
518	S687	5377.5	191	568	S637	4627.5	191	618	S587	3877.5	191	668	S537	3127.5	191	718	S487	2377.5	191
519	S686	5362.5	310	569	S636	4612.5	310	619	S586	3862.5	310	669	S536	3112.5	310	719	S486	2362.5	310
520	S685	5347.5	191	570	S635	4597.5	191	620	S585	3847.5	191	670	S535	3097.5	191	720	S485	2347.5	191
521	S684	5332.5	310	571	S634	4582.5	310	621	S584	3832.5	310	671	S534	3082.5	310	721	S484	2332.5	310
522	S683	5317.5	191	572	S633	4567.5	191	622	S583	3817.5	191	672	S533	3067.5	191	722	S483	2317.5	191
523	S682	5302.5	310	573	S632	4552.5	310	623	S582	3802.5	310	673	S532	3052.5	310	723	S482	2302.5	310
524	S681	5287.5	191	574	S631	4537.5	191	624	S581	3787.5	191	674	S531	3037.5	191	724	S481	2287.5	191
525	S680	5272.5	310	575	S630	4522.5	310	625	S580	3772.5	310	675	S530	3022.5	310	725	S480	2272.5	310
526	S679	5257.5	191	576	S629	4507.5	191	626	S579	3757.5	191	676	S529	3007.5	191	726	S479	2257.5	191
527	S678	5242.5	310	577	S628	4492.5	310	627	S578	3742.5	310	677	S528	2992.5	310	727	S478	2242.5	310
528	S677	5227.5	191	578	S627	4477.5	191	628	S577	3727.5	191	678	S527	2977.5	191	728	S477	2227.5	191
529	S676	5212.5	310	579	S626	4462.5	310	629	S576	3712.5	310	679	S526	2962.5	310	729	S476	2212.5	310
530	S675	5197.5	191	580	S625	4447.5	191	630	S575	3697.5	191	680	S525	2947.5	191	730	S475	2197.5	191
531	S674	5182.5	310	581	S624	4432.5	310	631	S574	3682.5	310	681	S524	2932.5	310	731	S474	2182.5	310
532	S673	5167.5	191	582	S623	4417.5	191	632	S573	3667.5	191	682	S523	2917.5	191	732	S473	2167.5	191
533	S672	5152.5	310	583	S622	4402.5	310	633	S572	3652.5	310	683	S522	2902.5	310	733	S472	2152.5	310
534	S671	5137.5	191	584	S621	4387.5	191	634	S571	3637.5	191	684	S521	2887.5	191	734	S471	2137.5	191
535	S670	5122.5	310	585	S620	4372.5	310	635	S570	3622.5	310	685	S520	2872.5	310	735	S470	2122.5	310
536	S669	5107.5	191	586	S619	4357.5	191	636	S569	3607.5	191	686	S519	2857.5	191	736	S469	2107.5	191
537	S668	5092.5	310	587	S618	4342.5	310	637	S568	3592.5	310	687	S518	2842.5	310	737	S468	2092.5	310
538	S667	5077.5	191	588	S617	4327.5	191	638	S567	3577.5	191	688	S517	2827.5	191	738	S467	2077.5	191
539	S666	5062.5	310	589	S616	4312.5	310	639	S566	3562.5	310	689	S516	2812.5	310	739	S466	2062.5	310
540	S665	5047.5	191	590	S615	4297.5	191	640	S565	3547.5	191	690	S515	2797.5	191	740	S465	2047.5	191
541	S664	5032.5	310	591	S614	4282.5	310	641	S564	3532.5	310	691	S514	2782.5	310	741	S464	2032.5	310
542	S663	5017.5	191	592	S613	4267.5	191	642	S563	3517.5	191	692	S513	2767.5	191	742	S463	2017.5	191
543	S662	5002.5	310	593	S612	4252.5	310	643	S562	3502.5	310	693	S512	2752.5	310	743	S462	2002.5	310
544	S661	4987.5	191	594	S611	4237.5	191	644	S561	3487.5	191	694	S511	2737.5	191	744	S461	1987.5	191
545	S660	4972.5	310	595	S610	4222.5	310	645	S560	3472.5	310	695	S510	2722.5	310	745	S460	1972.5	310
546	S659	4957.5	191	596	S609	4207.5	191	646	S559	3457.5	191	696	S509	2707.5	191	746	S459	1957.5	191
547	S658	4942.5	310	597	S608	4192.5	310	647	S558	3442.5	310	697	S508	2692.5	310	747	S458	1942.5	310
548	S657	4927.5	191	598	S607	4177.5	191	648	S557	3427.5	191	698	S507	2677.5	191	748	S457	1927.5	191
549	S656	4912.5	310	599	S606	4162.5	310	649	S556	3412.5	310	699	S506	2662.5	310	749	S456	1912.5	310
550	S655	4897.5	191	600	S605	4147.5	191	650	S555	3397.5	191	700	S505	2647.5	191	750	S455	1897.5	191

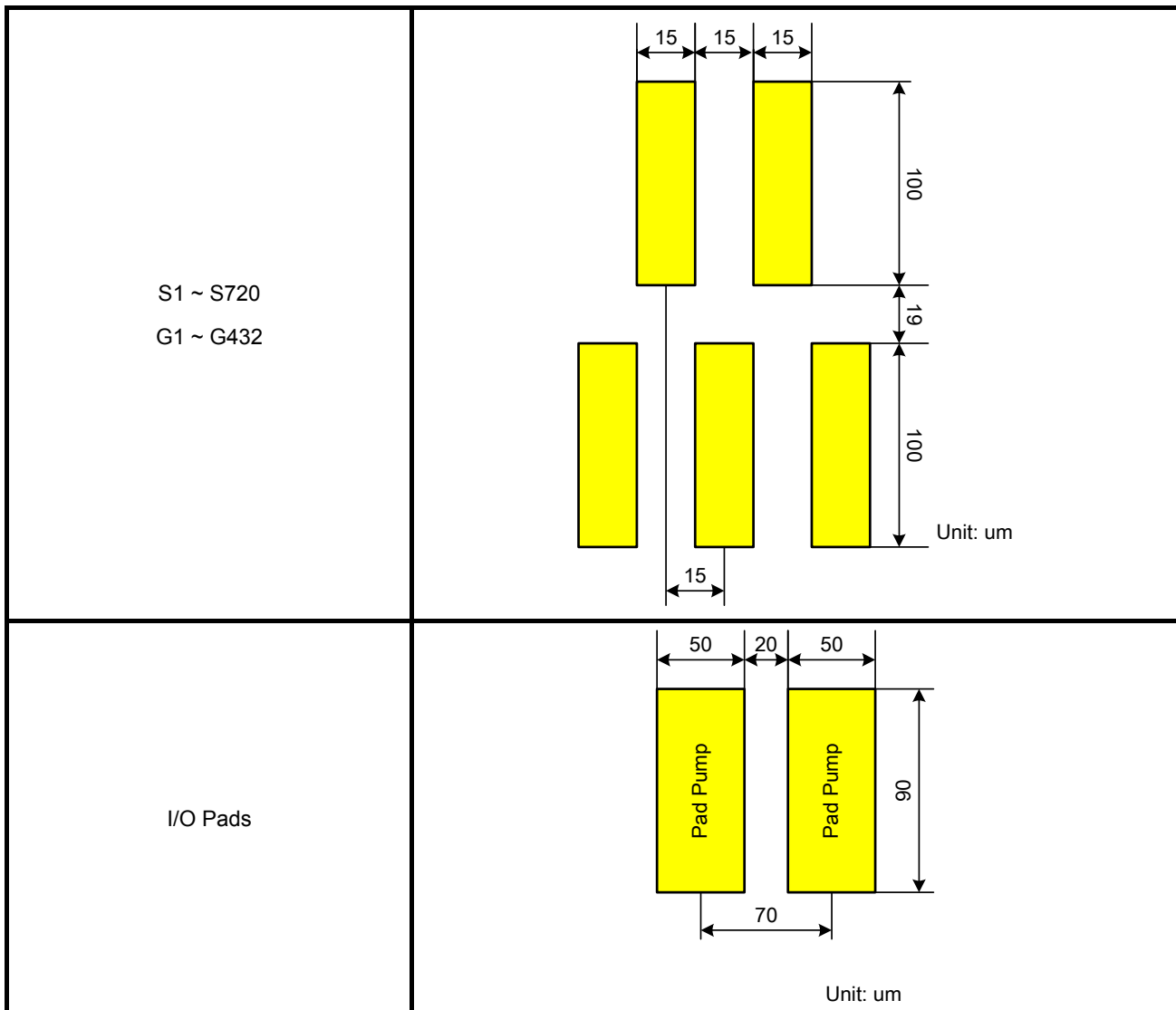


Pad No.	Pad Name	X	Y	Pad No.	Pad Name	X	Y	Pad No.	Pad Name	X	Y	Pad No.	Pad Name	X	Y	Pad No.	Pad Name	X	Y
751	S454	1882.5	310	801	S404	1132.5	310	851	TESTO12	-457.5	310	901	S312	-1207.5	310	951	S262	-1957.5	310
752	S453	1867.5	191	802	S403	1117.5	191	852	TESTO13	-472.5	191	902	S311	-1222.5	191	952	S261	-1972.5	191
753	S452	1852.5	310	803	S402	1102.5	310	853	S360	-487.5	310	903	S310	-1237.5	310	953	S260	-1987.5	310
754	S451	1837.5	191	804	S401	1087.5	191	854	S359	-502.5	191	904	S309	-1252.5	191	954	S259	-2002.5	191
755	S450	1822.5	310	805	S400	1072.5	310	855	S358	-517.5	310	905	S308	-1267.5	310	955	S258	-2017.5	310
756	S449	1807.5	191	806	S399	1057.5	191	856	S357	-532.5	191	906	S307	-1282.5	191	956	S257	-2032.5	191
757	S448	1792.5	310	807	S398	1042.5	310	857	S356	-547.5	310	907	S306	-1297.5	310	957	S256	-2047.5	310
758	S447	1777.5	191	808	S397	1027.5	191	858	S355	-562.5	191	908	S305	-1312.5	191	958	S255	-2062.5	191
759	S446	1762.5	310	809	S396	1012.5	310	859	S354	-577.5	310	909	S304	-1327.5	310	959	S254	-2077.5	310
760	S445	1747.5	191	810	S395	997.5	191	860	S353	-592.5	191	910	S303	-1342.5	191	960	S253	-2092.5	191
761	S444	1732.5	310	811	S394	982.5	310	861	S352	-607.5	310	911	S302	-1357.5	310	961	S252	-2107.5	310
762	S443	1717.5	191	812	S393	967.5	191	862	S351	-622.5	191	912	S301	-1372.5	191	962	S251	-2122.5	191
763	S442	1702.5	310	813	S392	952.5	310	863	S350	-637.5	310	913	S300	-1387.5	310	963	S250	-2137.5	310
764	S441	1687.5	191	814	S391	937.5	191	864	S349	-652.5	191	914	S299	-1402.5	191	964	S249	-2152.5	191
765	S440	1672.5	310	815	S390	922.5	310	865	S348	-667.5	310	915	S298	-1417.5	310	965	S248	-2167.5	310
766	S439	1657.5	191	816	S389	907.5	191	866	S347	-682.5	191	916	S297	-1432.5	191	966	S247	-2182.5	191
767	S438	1642.5	310	817	S388	892.5	310	867	S346	-697.5	310	917	S296	-1447.5	310	967	S246	-2197.5	310
768	S437	1627.5	191	818	S387	877.5	191	868	S345	-712.5	191	918	S295	-1462.5	191	968	S245	-2212.5	191
769	S436	1612.5	310	819	S386	862.5	310	869	S344	-727.5	310	919	S294	-1477.5	310	969	S244	-2227.5	310
770	S435	1597.5	191	820	S385	847.5	191	870	S343	-742.5	191	920	S293	-1492.5	191	970	S243	-2242.5	191
771	S434	1582.5	310	821	S384	832.5	310	871	S342	-757.5	310	921	S292	-1507.5	310	971	S242	-2257.5	310
772	S433	1567.5	191	822	S383	817.5	191	872	S341	-772.5	191	922	S291	-1522.5	191	972	S241	-2272.5	191
773	S432	1552.5	310	823	S382	802.5	310	873	S340	-787.5	310	923	S290	-1537.5	310	973	S240	-2287.5	310
774	S431	1537.5	191	824	S381	787.5	191	874	S339	-802.5	191	924	S289	-1552.5	191	974	S239	-2302.5	191
775	S430	1522.5	310	825	S380	772.5	310	875	S338	-817.5	310	925	S288	-1567.5	310	975	S238	-2317.5	310
776	S429	1507.5	191	826	S379	757.5	191	876	S337	-832.5	191	926	S287	-1582.5	191	976	S237	-2332.5	191
777	S428	1492.5	310	827	S378	742.5	310	877	S336	-847.5	310	927	S286	-1597.5	310	977	S236	-2347.5	310
778	S427	1477.5	191	828	S377	727.5	191	878	S335	-862.5	191	928	S285	-1612.5	191	978	S235	-2362.5	191
779	S426	1462.5	310	829	S376	712.5	310	879	S334	-877.5	310	929	S284	-1627.5	310	979	S234	-2377.5	310
780	S425	1447.5	191	830	S375	697.5	191	880	S333	-892.5	191	930	S283	-1642.5	191	980	S233	-2392.5	191
781	S424	1432.5	310	831	S374	682.5	310	881	S332	-907.5	310	931	S282	-1657.5	310	981	S232	-2407.5	310
782	S423	1417.5	191	832	S373	667.5	191	882	S331	-922.5	191	932	S281	-1672.5	191	982	S231	-2422.5	191
783	S422	1402.5	310	833	S372	652.5	310	883	S330	-937.5	310	933	S280	-1687.5	310	983	S230	-2437.5	310
784	S421	1387.5	191	834	S371	637.5	191	884	S329	-952.5	191	934	S279	-1702.5	191	984	S229	-2452.5	191
785	S420	1372.5	310	835	S370	622.5	310	885	S328	-967.5	310	935	S278	-1717.5	310	985	S228	-2467.5	310
786	S419	1357.5	191	836	S369	607.5	191	886	S327	-982.5	191	936	S277	-1732.5	191	986	S227	-2482.5	191
787	S418	1342.5	310	837	S368	592.5	310	887	S326	-997.5	310	937	S276	-1747.5	310	987	S226	-2497.5	310
788	S417	1327.5	191	838	S367	577.5	191	888	S325	-1012.5	191	938	S275	-1762.5	191	988	S225	-2512.5	191
789	S416	1312.5	310	839	S366	562.5	310	889	S324	-1027.5	310	939	S274	-1777.5	310	989	S224	-2527.5	310
790	S415	1297.5	191	840	S365	547.5	191	890	S323	-1042.5	191	940	S273	-1792.5	191	990	S223	-2542.5	191
791	S414	1282.5	310	841	S364	532.5	310	891	S322	-1057.5	310	941	S272	-1807.5	310	991	S222	-2557.5	310
792	S413	1267.5	191	842	S363	517.5	191	892	S321	-1072.5	191	942	S271	-1822.5	191	992	S221	-2572.5	191
793	S412	1252.5	310	843	S362	502.5	310	893	S320	-1087.5	310	943	S270	-1837.5	310	993	S220	-2587.5	310
794	S411	1237.5	191	844	S361	487.5	191	894	S319	-1102.5	191	944	S269	-1852.5	191	994	S219	-2602.5	191
795	S410	1222.5	310	845	TESTO6	472.5	310	895	S318	-1117.5	310	945	S268	-1867.5	310	995	S218	-2617.5	310
796	S409	1207.5	191	846	TESTO7	457.5	191	896	S317	-1132.5	191	946	S267	-1882.5	191	996	S217	-2632.5	191
797	S408	1192.5	310	847	TESTO8	442.5	310	897	S316	-1147.5	310	947	S266	-1897.5	310	997	S216	-2647.5	310
798	S407	1177.5	191	848	TESTO9	427.5	191	898	S315	-1162.5	191	948	S265	-1912.5	191	998	S215	-2662.5	191
799	S406	1162.5	310	849	TESTO10	412.5	310	899	S314	-1177.5	310	949	S264	-1927.5	310	999	S214	-2677.5	310
800	S405	1147.5	191	850	TESTO11	397.5	191	900	S313	-1192.5	191	950	S263	-1942.5	191	1000	S213	-2692.5	191



Pad No.	Pad Name	X	Y	Pad No.	Pad Name	X	Y	Pad No.	Pad Name	X	Y	Pad No.	Pad Name	X	Y	Pad No.	Pad Name	X	Y
1001	S212	-2707.5	310	1051	S162	-3457.5	310	1101	S112	-4207.5	310	1151	S62	-4957.5	310	1201	S12	-5707.5	310
1002	S211	-2722.5	191	1052	S161	-3472.5	191	1102	S111	-4222.5	191	1152	S61	-4972.5	191	1202	S11	-5722.5	191
1003	S210	-2737.5	310	1053	S160	-3487.5	310	1103	S110	-4237.5	310	1153	S60	-4987.5	310	1203	S10	-5737.5	310
1004	S209	-2752.5	191	1054	S159	-3502.5	191	1104	S109	-4252.5	191	1154	S59	-5002.5	191	1204	S9	-5752.5	191
1005	S208	-2767.5	310	1055	S158	-3517.5	310	1105	S108	-4267.5	310	1155	S58	-5017.5	310	1205	S8	-5767.5	310
1006	S207	-2782.5	191	1056	S157	-3532.5	191	1106	S107	-4282.5	191	1156	S57	-5032.5	191	1206	S7	-5782.5	191
1007	S206	-2797.5	310	1057	S156	-3547.5	310	1107	S106	-4297.5	310	1157	S56	-5047.5	310	1207	S6	-5797.5	310
1008	S205	-2812.5	191	1058	S155	-3562.5	191	1108	S105	-4312.5	191	1158	S55	-5062.5	191	1208	S5	-5812.5	191
1009	S204	-2827.5	310	1059	S154	-3577.5	310	1109	S104	-4327.5	310	1159	S54	-5077.5	310	1209	S4	-5827.5	310
1010	S203	-2842.5	191	1060	S153	-3592.5	191	1110	S103	-4342.5	191	1160	S53	-5092.5	191	1210	S3	-5842.5	191
1011	S202	-2857.5	310	1061	S152	-3607.5	310	1111	S102	-4357.5	310	1161	S52	-5107.5	310	1211	S2	-5857.5	310
1012	S201	-2872.5	191	1062	S151	-3622.5	191	1112	S101	-4372.5	191	1162	S51	-5122.5	191	1212	S1	-5872.5	191
1013	S200	-2887.5	310	1063	S150	-3637.5	310	1113	S100	-4387.5	310	1163	S50	-5137.5	310	1213	DUMMY	-5887.5	310
1014	S199	-2902.5	191	1064	S149	-3652.5	191	1114	S99	-4402.5	191	1164	S49	-5152.5	191	1214	VGLDMY3	-6097.5	310
1015	S198	-2917.5	310	1065	S148	-3667.5	310	1115	S98	-4417.5	310	1165	S48	-5167.5	310	1215	G431	-6112.5	191
1016	S197	-2932.5	191	1066	S147	-3682.5	191	1116	S97	-4432.5	191	1166	S47	-5182.5	191	1216	G429	-6127.5	310
1017	S196	-2947.5	310	1067	S146	-3697.5	310	1117	S96	-4447.5	310	1167	S46	-5197.5	310	1217	G427	-6142.5	191
1018	S195	-2962.5	191	1068	S145	-3712.5	191	1118	S95	-4462.5	191	1168	S45	-5212.5	191	1218	G425	-6157.5	310
1019	S194	-2977.5	310	1069	S144	-3727.5	310	1119	S94	-4477.5	310	1169	S44	-5227.5	310	1219	G423	-6172.5	191
1020	S193	-2992.5	191	1070	S143	-3742.5	191	1120	S93	-4492.5	191	1170	S43	-5242.5	191	1220	G421	-6187.5	310
1021	S192	-3007.5	310	1071	S142	-3757.5	310	1121	S92	-4507.5	310	1171	S42	-5257.5	310	1221	G419	-6202.5	191
1022	S191	-3022.5	191	1072	S141	-3772.5	191	1122	S91	-4522.5	191	1172	S41	-5272.5	191	1222	G417	-6217.5	310
1023	S190	-3037.5	310	1073	S140	-3787.5	310	1123	S90	-4537.5	310	1173	S40	-5287.5	310	1223	G415	-6232.5	191
1024	S189	-3052.5	191	1074	S139	-3802.5	191	1124	S89	-4552.5	191	1174	S39	-5302.5	191	1224	G413	-6247.5	310
1025	S188	-3067.5	310	1075	S138	-3817.5	310	1125	S88	-4567.5	310	1175	S38	-5317.5	310	1225	G411	-6262.5	191
1026	S187	-3082.5	191	1076	S137	-3832.5	191	1126	S87	-4582.5	191	1176	S37	-5332.5	191	1226	G409	-6277.5	310
1027	S186	-3097.5	310	1077	S136	-3847.5	310	1127	S86	-4597.5	310	1177	S36	-5347.5	310	1227	G407	-6292.5	191
1028	S185	-3112.5	191	1078	S135	-3862.5	191	1128	S85	-4612.5	191	1178	S35	-5362.5	191	1228	G405	-6307.5	310
1029	S184	-3127.5	310	1079	S134	-3877.5	310	1129	S84	-4627.5	310	1179	S34	-5377.5	310	1229	G403	-6322.5	191
1030	S183	-3142.5	191	1080	S133	-3892.5	191	1130	S83	-4642.5	191	1180	S33	-5392.5	191	1230	G401	-6337.5	310
1031	S182	-3157.5	310	1081	S132	-3907.5	310	1131	S82	-4657.5	310	1181	S32	-5407.5	310	1231	G399	-6352.5	191
1032	S181	-3172.5	191	1082	S131	-3922.5	191	1132	S81	-4672.5	191	1182	S31	-5422.5	191	1232	G397	-6367.5	310
1033	S180	-3187.5	310	1083	S130	-3937.5	310	1133	S80	-4687.5	310	1183	S30	-5437.5	310	1233	G395	-6382.5	191
1034	S179	-3202.5	191	1084	S129	-3952.5	191	1134	S79	-4702.5	191	1184	S29	-5452.5	191	1234	G393	-6397.5	310
1035	S178	-3217.5	310	1085	S128	-3967.5	310	1135	S78	-4717.5	310	1185	S28	-5467.5	310	1235	G391	-6412.5	191
1036	S177	-3232.5	191	1086	S127	-3982.5	191	1136	S77	-4732.5	191	1186	S27	-5482.5	191	1236	G389	-6427.5	310
1037	S176	-3247.5	310	1087	S126	-3997.5	310	1137	S76	-4747.5	310	1187	S26	-5497.5	310	1237	G387	-6442.5	191
1038	S175	-3262.5	191	1088	S125	-4012.5	191	1138	S75	-4762.5	191	1188	S25	-5512.5	191	1238	G385	-6457.5	310
1039	S174	-3277.5	310	1089	S124	-4027.5	310	1139	S74	-4777.5	310	1189	S24	-5527.5	310	1239	G383	-6472.5	191
1040	S173	-3292.5	191	1090	S123	-4042.5	191	1140	S73	-4792.5	191	1190	S23	-5542.5	191	1240	G381	-6487.5	310
1041	S172	-3307.5	310	1091	S122	-4057.5	310	1141	S72	-4807.5	310	1191	S22	-5557.5	310	1241	G379	-6502.5	191
1042	S171	-3322.5	191	1092	S121	-4072.5	191	1142	S71	-4822.5	191	1192	S21	-5572.5	191	1242	G377	-6517.5	310
1043	S170	-3337.5	310	1093	S120	-4087.5	310	1143	S70	-4837.5	310	1193	S20	-5587.5	310	1243	G375	-6532.5	191
1044	S169	-3352.5	191	1094	S119	-4102.5	191	1144	S69	-4852.5	191	1194	S19	-5602.5	191	1244	G373	-6547.5	310
1045	S168	-3367.5	310	1095	S118	-4117.5	310	1145	S68	-4867.5	310	1195	S18	-5617.5	310	1245	G371	-6562.5	191
1046	S167	-3382.5	191	1096	S117	-4132.5	191	1146	S67	-4882.5	191	1196	S17	-5632.5	191	1246	G369	-6577.5	310
1047	S166	-3397.5	310	1097	S116	-4147.5	310	1147	S66	-4897.5	310	1197	S16	-5647.5	310	1247	G367	-6592.5	191
1048	S165	-3412.5	191	1098	S115	-4162.5	191	1148	S65	-4912.5	191	1198	S15	-5662.5	191	1248	G365	-6607.5	310
1049	S164	-3427.5	310	1099	S114	-4177.5	310	1149	S64	-4927.5	310	1199	S14	-5677.5	310	1249	G363	-6622.5	191
1050	S163	-3442.5	191	1100	S113	-4192.5	191	1150	S63	-4942.5	191	1200	S13	-5692.5	191	1250	G361	-6637.5	310

Pad No.	Pad Name	X	Y	Pad No.	Pad Name	X	Y	Pad No.	Pad Name	X	Y	Pad No.	Pad Name	X	Y
1251	G359	-6652.5	191	1301	G259	-7402.5	191	1351	G159	-8152.5	191	1401	G59	-8902.5	191
1252	G357	-6667.5	310	1302	G257	-7417.5	310	1352	G157	-8167.5	310	1402	G57	-8917.5	310
1253	G355	-6682.5	191	1303	G255	-7432.5	191	1353	G155	-8182.5	191	1403	G55	-8932.5	191
1254	G353	-6697.5	310	1304	G253	-7447.5	310	1354	G153	-8197.5	310	1404	G53	-8947.5	310
1255	G351	-6712.5	191	1305	G251	-7462.5	191	1355	G151	-8212.5	191	1405	G51	-8962.5	191
1256	G349	-6727.5	310	1306	G249	-7477.5	310	1356	G149	-8227.5	310	1406	G49	-8977.5	310
1257	G347	-6742.5	191	1307	G247	-7492.5	191	1357	G147	-8242.5	191	1407	G47	-8992.5	191
1258	G345	-6757.5	310	1308	G245	-7507.5	310	1358	G145	-8257.5	310	1408	G45	-9007.5	310
1259	G343	-6772.5	191	1309	G243	-7522.5	191	1359	G143	-8272.5	191	1409	G43	-9022.5	191
1260	G341	-6787.5	310	1310	G241	-7537.5	310	1360	G141	-8287.5	310	1410	G41	-9037.5	310
1261	G339	-6802.5	191	1311	G239	-7552.5	191	1361	G139	-8302.5	191	1411	G39	-9052.5	191
1262	G337	-6817.5	310	1312	G237	-7567.5	310	1362	G137	-8317.5	310	1412	G37	-9067.5	310
1263	G335	-6832.5	191	1313	G235	-7582.5	191	1363	G135	-8332.5	191	1413	G35	-9082.5	191
1264	G333	-6847.5	310	1314	G233	-7597.5	310	1364	G133	-8347.5	310	1414	G33	-9097.5	310
1265	G331	-6862.5	191	1315	G231	-7612.5	191	1365	G131	-8362.5	191	1415	G31	-9112.5	191
1266	G329	-6877.5	310	1316	G229	-7627.5	310	1366	G129	-8377.5	310	1416	G29	-9127.5	310
1267	G327	-6892.5	191	1317	G227	-7642.5	191	1367	G127	-8392.5	191	1417	G27	-9142.5	191
1268	G325	-6907.5	310	1318	G225	-7657.5	310	1368	G125	-8407.5	310	1418	G25	-9157.5	310
1269	G323	-6922.5	191	1319	G223	-7672.5	191	1369	G123	-8422.5	191	1419	G23	-9172.5	191
1270	G321	-6937.5	310	1320	G221	-7687.5	310	1370	G121	-8437.5	310	1420	G21	-9187.5	310
1271	G319	-6952.5	191	1321	G219	-7702.5	191	1371	G119	-8452.5	191	1421	G19	-9202.5	191
1272	G317	-6967.5	310	1322	G217	-7717.5	310	1372	G117	-8467.5	310	1422	G17	-9217.5	310
1273	G315	-6982.5	191	1323	G215	-7732.5	191	1373	G115	-8482.5	191	1423	G15	-9232.5	191
1274	G313	-6997.5	310	1324	G213	-7747.5	310	1374	G113	-8497.5	310	1424	G13	-9247.5	310
1275	G311	-7012.5	191	1325	G211	-7762.5	191	1375	G111	-8512.5	191	1425	G11	-9262.5	191
1276	G309	-7027.5	310	1326	G209	-7777.5	310	1376	G109	-8527.5	310	1426	G9	-9277.5	310
1277	G307	-7042.5	191	1327	G207	-7792.5	191	1377	G107	-8542.5	191	1427	G7	-9292.5	191
1278	G305	-7057.5	310	1328	G205	-7807.5	310	1378	G105	-8557.5	310	1428	G5	-9307.5	310
1279	G303	-7072.5	191	1329	G203	-7822.5	191	1379	G103	-8572.5	191	1429	G3	-9322.5	191
1280	G301	-7087.5	310	1330	G201	-7837.5	310	1380	G101	-8587.5	310	1430	G1	-9337.5	310
1281	G299	-7102.5	191	1331	G199	-7852.5	191	1381	G99	-8602.5	191	1431	VGLDMY4	-9352.5	191
1282	G297	-7117.5	310	1332	G197	-7867.5	310	1382	G97	-8617.5	310	1432	DUMMY	-9367.5	310
1283	G295	-7132.5	191	1333	G195	-7882.5	191	1383	G95	-8632.5	191	1433	DUMMYR3	-9382.5	191
1284	G293	-7147.5	310	1334	G193	-7897.5	310	1384	G93	-8647.5	310	1434	DUMMYR4	-9397.5	310
1285	G291	-7162.5	191	1335	G191	-7912.5	191	1385	G91	-8662.5	191				
1286	G289	-7177.5	310	1336	G189	-7927.5	310	1386	G89	-8677.5	310				
1287	G287	-7192.5	191	1337	G187	-7942.5	191	1387	G87	-8692.5	191				
1288	G285	-7207.5	310	1338	G185	-7957.5	310	1388	G85	-8707.5	310	Alignment mark	X	Y	
1289	G283	-7222.5	191	1339	G183	-7972.5	191	1389	G83	-8722.5	191	A1	-9381.0	-217	
1290	G281	-7237.5	310	1340	G181	-7987.5	310	1390	G81	-8737.5	310	A2	9381.0	-217	
1291	G279	-7252.5	191	1341	G179	-8002.5	191	1391	G79	-8752.5	191				
1292	G277	-7267.5	310	1342	G177	-8017.5	310	1392	G77	-8767.5	310				
1293	G275	-7282.5	191	1343	G175	-8032.5	191	1393	G75	-8782.5	191				
1294	G273	-7297.5	310	1344	G173	-8047.5	310	1394	G73	-8797.5	310				
1295	G271	-7312.5	191	1345	G171	-8062.5	191	1395	G71	-8812.5	191				
1296	G269	-7327.5	310	1346	G169	-8077.5	310	1396	G69	-8827.5	310				
1297	G267	-7342.5	191	1347	G167	-8092.5	191	1397	G67	-8842.5	191				
1298	G265	-7357.5	310	1348	G165	-8107.5	310	1398	G65	-8857.5	310				
1299	G263	-7372.5	191	1349	G163	-8122.5	191	1399	G63	-8872.5	191				
1300	G261	-7387.5	310	1350	G161	-8137.5	310	1400	G61	-8887.5	310				



## 6. Block Function Description

### Interface

ILI9327 supports MIPI DBI Type B (18/16/9/8bit) and MIPI DBI Type C (Option 1, 3). The interface is selected by setting IM[2:0] pin.

IM2	IM1	IM0	MPU-Interface Mode	DB Pin in use	Colors
0	0	0	DBI Type B 18-bit	DB[17:0]	262K
0	0	1	DBI Type B 9-bit	DB[8:0]	262K
0	1	0	DBI Type B 16-bit	DB[15:0]	65K/262K
0	1	1	DBI Type B 8-bit	DB[7:0]	65K/262K
1	0	0	MDDI		65K/262K
1	0	1	DBI Type C 9-bit	DIN, DOUT	8/262K
1	1	0	CPU 9-bit	DB[8:0]/DB[8:1]	262K
1	1	1	DBI Type C 8-bit	DIN, DOUT	8/262K

**Note:** Set number of colors using set\_pixel\_format: 3Ah.

#### (a) MIPI DBI Type B (18-/ 16-/ 9-/ 8- bit)

ILI9327 supports MIPI DBI Type B (18/16/9/8bit) that uses command method which has 8-bit command register and 8-bit parameter registers. The ILI9327 also has the 18-bit write register (WDR) and read register (RDR). The WDR register is used to store data temporarily that is automatically written to the internal frame memory through internal operation of the chip.

The RDR is used to temporarily store the data read out from the frame memory. When reading data from the frame memory, the ILI9327 first stores the data in the RDR. For this reason, invalid data is sent to the data bus at first time read and valid data is sent as the ILI9327 reads second and subsequent data from the frame memory.

Register selection			Operation
DCX	RDX	WRX	
0	1	↑	Command
1	↑	1	Read parameter
1	1	↑	Write parameter

#### (b) MIPI DBI Type C (Option 1, 3)

The ILI9327 also supports MIPI DBI type C 9bit (Option 1) and 8bit (Option 3) serial interface that uses signals CSX, DCX, SCL, DIN and DOUT.

#### (c) Video Image Interface (TE-signal, DPI, VSYNC-I/F)

ILI9327 supports TE, DPI and VSYNC interfaces as external display interface for video image. When DBI is

selected, display data is written in synchronization with TE signal which is generated from internal clock to prevent tearing effect on the panel.

When DPI is selected, externally supplied VSYNC, HSYNC and PCLK signals drive the chip. Display data (DB[17:0]) is written in synchronization with those synchronous signals following data enable signal (DE). This enables updating image data without tearing effect on the panel.

### **Address Counter (AC)**

Address counter (AC) gives address to GRAM. When command setting address is written to CDR, the data is transferred from CDR to AC.

When data is written/read to/from GRAM, address counter (AC) will increment by +1 or -1 automatically. ILI9327 writes data to only rectangular area that was specified by GRAM.

### **Graphic RAM (GRAM)**

The graphic RAM (GRAM) stores 233,280 bytes pattern data using 18 bits for one pixel, enabling a maximum 240RGB x 432 dot graphic display at the maximum.

### **Grayscale Voltage Generating Circuit**

Grayscale voltage generating circuit generates a liquid crystal drive voltage, which corresponds to grayscale level set in the gamma correction register. The ILI9327 displays 262,144 colors at the maximum.

### **Power Supply Circuit**

The power supply circuit generates supply voltages to a-TFT panel, VREG1OUT, VGH, VGL, VCOMH and VCOML.

### **Timing Generating**

Timing generator is used to generate the timing signals for internal circuits such as the internal GRAM read/write, display control signals. The timing for display operation such as RAM read operation and the timing for internal operation such as RAM access by MPU is output separately so that they do not interfere with each other.

### **Oscillator**

ILI9327 incorporates RC oscillator circuit. The frame frequency is changeable by command settings.

### **Panel Driver Circuit**

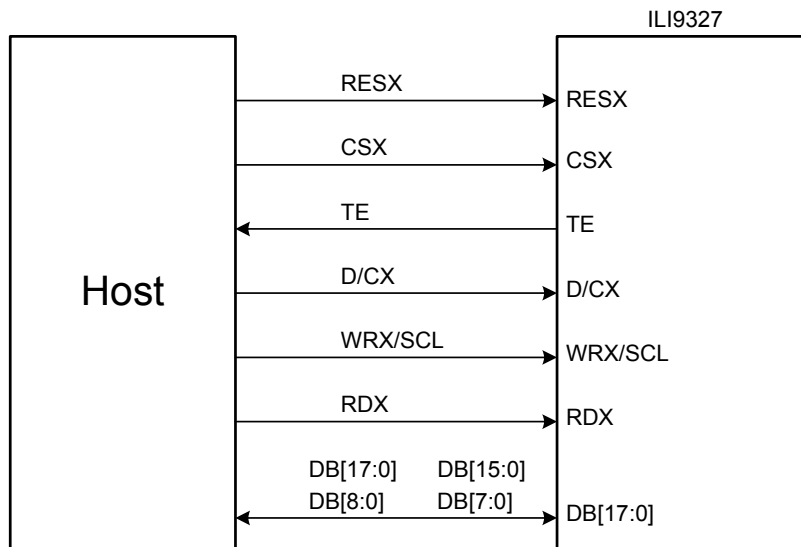
The liquid crystal display driver circuit consists of 720 source drivers (S1~S720). Display pattern data is latched when 720 pixels data is input. This latched data controls source drivers and outputs drive waveform. The gate driver consists of 432 gate drivers (G1~G432) and outputs either VGH or VGL level. The shift direction of gate driver is set by GS bit. Scan direction of gate driver can also be set by the SM bit to fit the panel gate line layout.

## 7. Interface Description

### 7.1. Display Bus Interface (DBI)

ILI9327 uses a 22-wires 18-bit parallel interface. The chip-select CSX (active low) enables and disables the DBI interface. RESX (active low) is an external reset signal. WRX is the data write, RDX is the data read and D[17:0] is parallel DBI data. The four 18/16/9/8-bit types interface is supported for the display data transfer.

The graphics controller chip reads the data at the rising edge of RDX signal. The D/CX is data/command flag. When D/CX = "1", D17 to D0 bits are display RAM data or command parameters. When D/CX = "0" D7 to D0 bits are commands.



DBI Type B Interface

18-bit data bus DB[17:0] interface, IM[2:0] = 000

	Set_pixel_format	DFM	DB17	DB16	DB15	DB14	DB13	DB12	DB11	DB10	DB9	DB8	DB7	DB6	DB5	DB4	DB3	DB2	DB1	DB0
Command/Parameter Write	*	*											D[7]	D[6]	D[5]	D[4]	D[3]	D[2]	D[1]	D[0]
Command/Parameter Read	*	*											D[7]	D[6]	D[5]	D[4]	D[3]	D[2]	D[1]	D[0]

	Set_pixel_format	DFM	DB17	DB16	DB15	DB14	DB13	DB12	DB11	DB10	DB9	DB8	DB7	DB6	DB5	DB4	DB3	DB2	DB1	DB0
18bpp Frame Memory Write	*	*	R[5]	R[4]	R[3]	R[2]	R[1]	R[0]	G[5]	G[4]	G[3]	G[2]	G[1]	G[0]	B[5]	B[4]	B[3]	B[2]	B[1]	B[0]
Frame Memory Read	*	*	r[5]	r[4]	r[3]	r[2]	r[1]	r[0]	g[5]	g[4]	g[3]	g[2]	g[1]	g[0]	b[5]	b[4]	b[3]	b[2]	b[1]	b[0]

16-bit data bus DB[15:0] interface, IM[2:0] = 010

	Set_pixel_format	DFM	DB15	DB14	DB13	DB12	DB11	DB10	DB9	DB8	DB7	DB6	DB5	DB4	DB3	DB2	DB1	DB0
Command/Parameter Write	*	*																
Command/Parameter Read	*	*																

	Set_pixel_format	DFM	DB15	DB14	DB13	DB12	DB11	DB10	DB9	DB8	DB7	DB6	DB5	DB4	DB3	DB2	DB1	DB0
16bpp Frame Memory Write	*	*	R[4]	R[3]	R[2]	R[1]	R[0]	G[5]	G[4]	G[3]	G[2]	G[1]	G[0]	B[4]	B[3]	B[2]	B[1]	B[0]
16bpp Frame Memory Read	*	*	r[4]	r[3]	r[2]	r[1]	r[0]	g[5]	g[4]	g[3]	g[2]	g[1]	g[0]	b[4]	b[3]	b[2]	b[1]	b[0]

	Set_pixel_format	DFM	First Transfer				Second Transfer				Third Transfer			
			DB[15:10]	DB[9:8]	DB[7:2]	DB[1:0]	DB[15:10]	DB[9:8]	DB[7:2]	DB[1:0]	DB[15:10]	DB[9:8]	DB[7:2]	DB[1:0]
18bpp Frame Memory Write	3'h6	0	R1[5:0]		G1[5:0]		B1[5:0]		R2[5:0]		G2[5:0]		B2[5:0]	
		1			R1[5:0]		G1[5:0]		B1[5:0]		R2[5:0]		B2[5:0]	

	Set_pixel_format	DFM	First Transfer				Second Transfer				Third Transfer			
			DB[15:10]	DB[9:8]	DB[7:2]	DB[1:0]	DB[15:10]	DB[9:8]	DB[7:2]	DB[1:0]	DB[15:10]	DB[9:8]	DB[7:2]	DB[1:0]
18bpp Frame Memory Read	3'h6	0	r1[5:0]		g1[5:0]		b1[5:0]		r2[5:0]		g2[5:0]		b2[5:0]	
		1			r1[5:0]		g1[5:0]		b1[5:0]		r2[5:0]		b2[5:0]	

9-bit data bus DB[8:0] interface, IM[2:0] = 001

	Set_pixel_format	DFM	DB8	DB7	DB6	DB5	DB4	DB3	DB2	DB1	DB0
Command/Parameter Write	*	*									
Command/Parameter Read	*	*									

	Set_pixel_format	DFM	First Transfer				Second Transfer													
			DB8	DB7	DB6	DB5	DB4	DB3	DB2	DB1	DB0	DB8	DB7	DB6	DB5	DB4	DB3	DB2	DB1	DB0
18bpp Frame Memory Write	3'h6	*	R[5]	R[4]	R[3]	R[2]	R[1]	R[0]	G[5]	G[4]	G[3]	G[2]	G[1]	G[0]	B[5]	B[4]	B[3]	B[2]	B[1]	B[0]
18 bpp Frame Memory Read		*	r[5]	r[4]	r[3]	r[2]	r[1]	r[0]	g[5]	g[4]	g[3]	g[2]	g[1]	g[0]	b[5]	b[4]	b[3]	b[2]	b[1]	b[0]

9-bit data bus DB[8:0] interface, IM[2:0] = 110

	Set_pixel_format	DFM	DB8	DB7	DB6	DB5	DB4	DB3	DB2	DB1	DB0
Command/Parameter Write	*	*									
Command/Parameter Read	*	*									

	Set_pixel_format	DFM	First Transfer				Second Transfer													
			DB8	DB7	DB6	DB5	DB4	DB3	DB2	DB1	DB0	DB8	DB7	DB6	DB5	DB4	DB3	DB2	DB1	DB0
18bpp Frame Memory Write	3'h6	*	R[5]	R[4]	R[3]	R[2]	R[1]	R[0]	G[5]	G[4]	G[3]	G[2]	G[1]	G[0]	B[5]	B[4]	B[3]	B[2]	B[1]	B[0]
Frame Memory Read		*	r[5]	r[4]	r[3]	r[2]	r[1]	r[0]	g[5]	g[4]	g[3]	g[2]	g[1]	g[0]	b[5]	b[4]	b[3]	b[2]	b[1]	b[0]

8-bit data bus DB[7:0] interface, IM[2:0] = 011

	Set_pixel_format	DFM	DB7	DB6	DB5	DB4	DB3	DB2	DB1	DB0
Command/Parameter Write	*	*								
Command/Parameter Read	*	*								

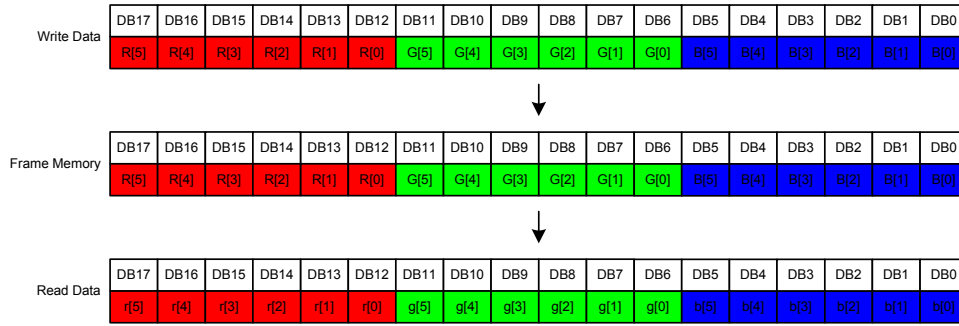
  

	Set_pixel_format	DFM	First Transfer				Second Transfer											
			DB7	DB6	DB5	DB4	DB3	DB2	DB1	DB0	DB7	DB6	DB5	DB4	DB3	DB2	DB1	DB0
16bpp Frame Memory Write	3'h5	*	R[4]	R[3]	R[2]	R[1]	R[0]	G[5]	G[4]	G[3]	G[2]	G[1]	G[0]	B[4]	B[3]	B[2]	B[1]	B[0]
16bpp Frame Memory Read		*	r[4]	r[3]	r[2]	r[1]	r[0]	g[5]	g[4]	g[3]	g[2]	g[1]	g[0]	b[4]	b[3]	b[2]	b[1]	b[0]

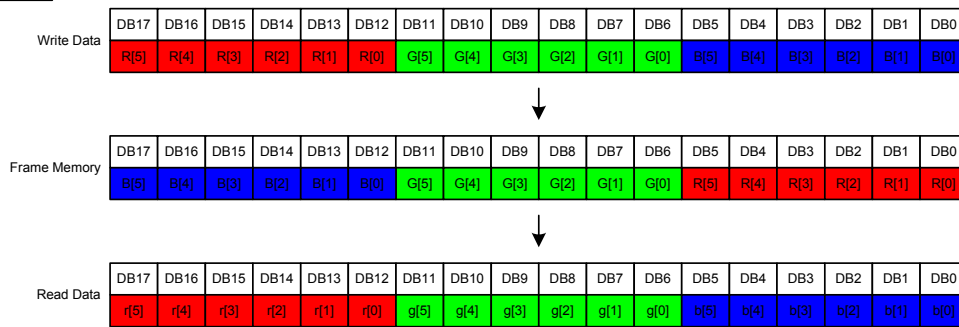
  

	Set_pixel_format	DFM	First Transfer				Second Transfer				Third Transfer															
			DB7	DB6	DB5	DB4	DB3	DB2	DB1	DB0	DB7	DB6	DB5	DB4	DB3	DB2	DB1	DB0	DB7	DB6	DB5	DB4	DB3	DB2	DB1	DB0
18bpp Frame Memory Write	3'h6	*	R[5]	R[4]	R[3]	R[2]	R[1]	R[0]	G[5]	G[4]	G[3]	G[2]	G[1]	G[0]	B[5]	B[4]	B[3]	B[2]	B[1]	B[0]	B[5]	B[4]	B[3]	B[2]	B[1]	B[0]
18bpp Frame Memory Read		*	r[5]	r[4]	r[3]	r[2]	r[1]	r[0]	g[5]	g[4]	g[3]	g[2]	g[1]	g[0]	b[5]	b[4]	b[3]	b[2]	b[1]	b[0]	b[5]	b[4]	b[3]	b[2]	b[1]	b[0]

**BGR=0**



**BGR=1**

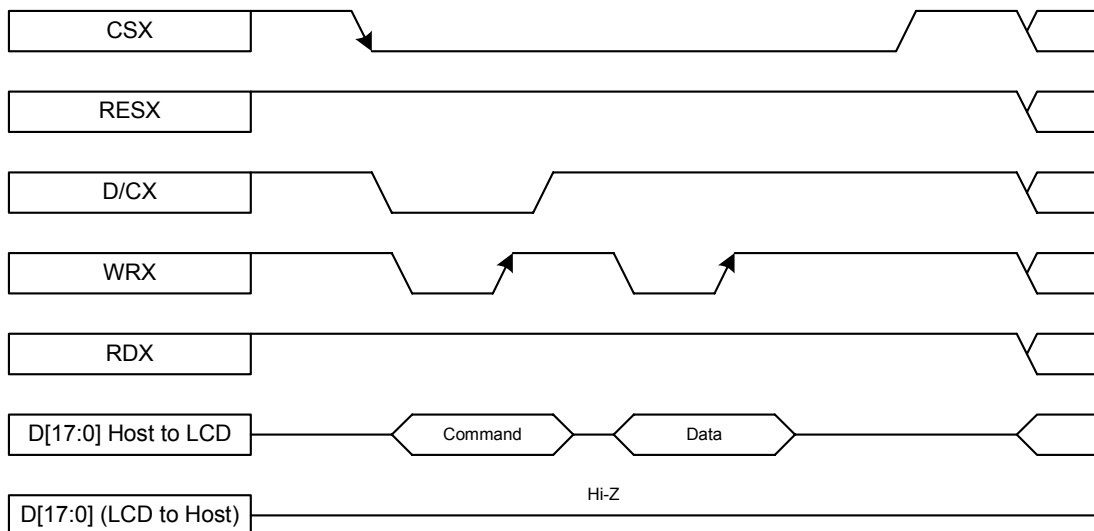
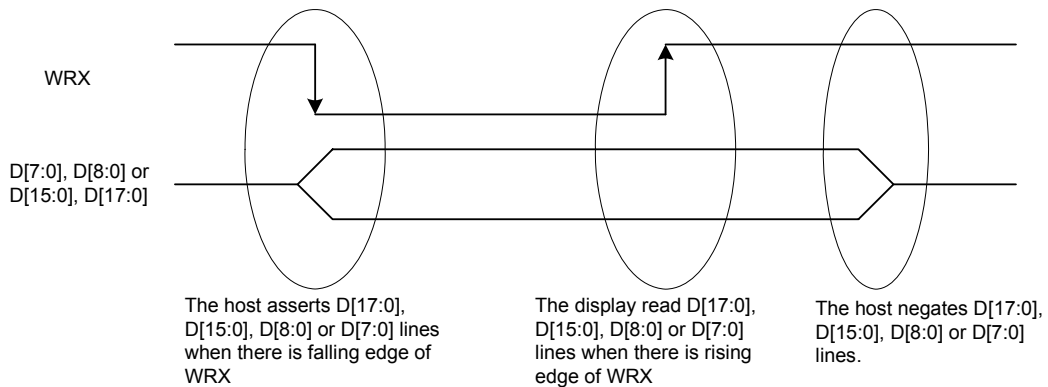




### 7.1.1. Write Cycle

During a write cycle the host processor sends data to the display module via the interface. The Type B interface utilizes D/CX, RDX and WRX signals as well as all eight (D[7:0]), nine (D[8:0]), sixteen (D[15:0]) or eighteen (D[17:0]) information signals. WRX is driven from high to low then pulled back to high during the write cycle. The host processor provides information during the write cycle while the display module reads the host processor information on the rising edge of WRX. D/CX is driven low while command information is on the interface and is pulled high when data is present.

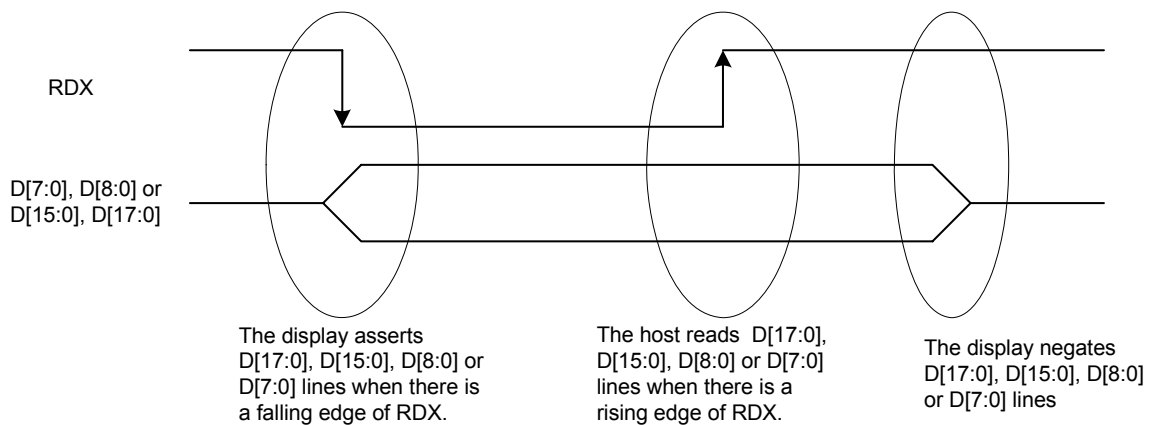
The following figure shows a write cycle for the type B interface.



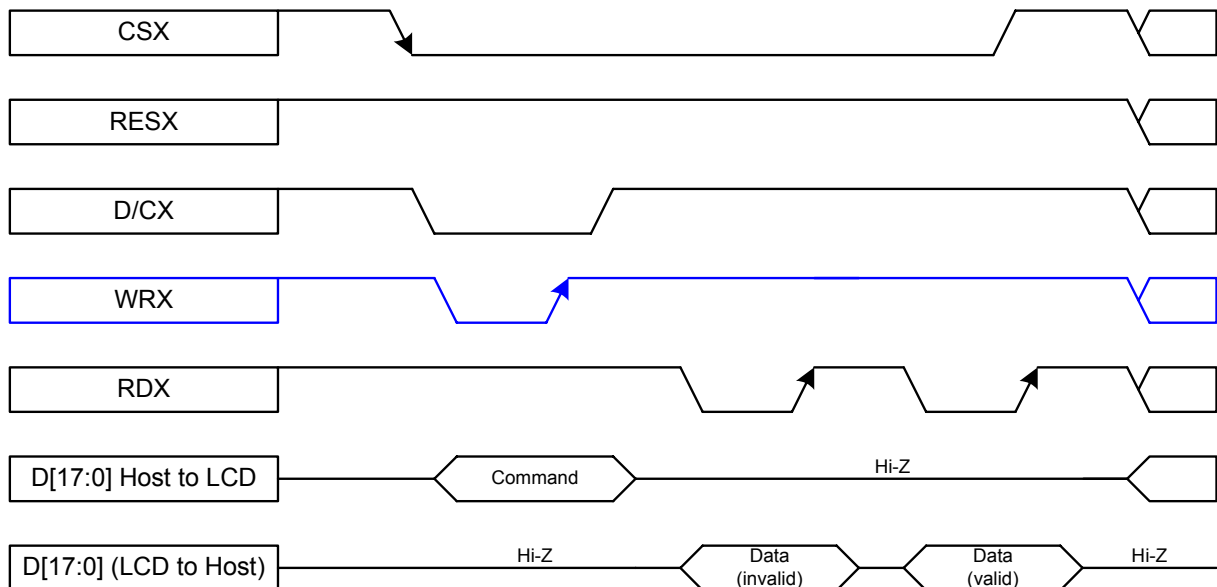
### 7.1.2. Read Cycle

During a read cycle the host processor reads data from the display module via the interface. The Type B interface utilizes D/CX, RDX and WRX signals as well as all eight (D[7:0]), nine (D[8:0]), sixteen (D[15:0]) or eighteen (D[17:0]) information signals. RDX is driven from high to low then allowed to be pulled back to high during the read cycle. The display module provides information to the host processor during the read cycle while the host processor reads the display module information on the rising edge of RDX. D/CX is driven high during the read cycle.

The following figure shows the read cycle for the type B interface.



Note: RDX is an unsynchronized signal (It can be stopped).



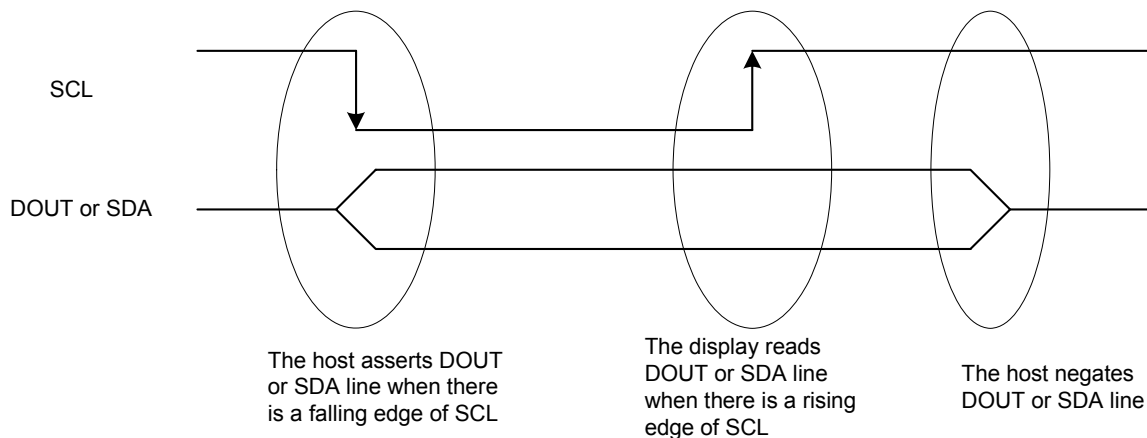
Note: Read Data is only valid when the D/CX input is pulled high. If D/CX is driven low during read then the display information outputs will be High-Z.

## 7.2. Serial Interface (Type C)

### 7.2.1. Write Cycle and Sequence

During a write cycle the host processor sends a single bit of data to the display module via the interface. The Type C interface utilizes CSX, SCL and SDA or DOUT signals. SCL is driven from high to low then pulled back to high during the write cycle. The host processor provides information during the write cycle while the display module reads the host processor information on the rising edge of SCL.

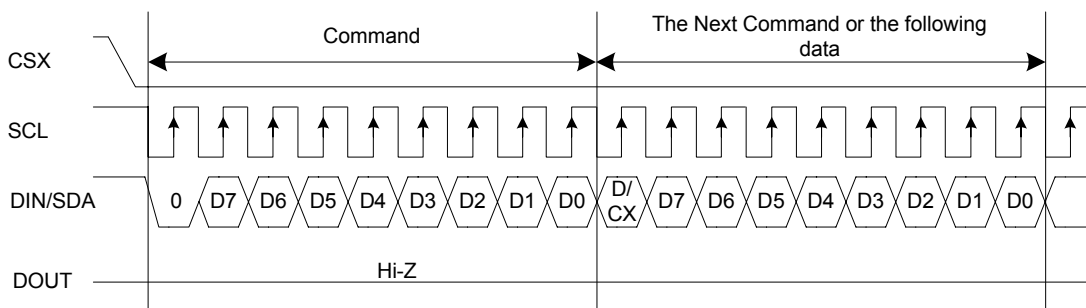
The following figure shows the write cycle for the type C interface.



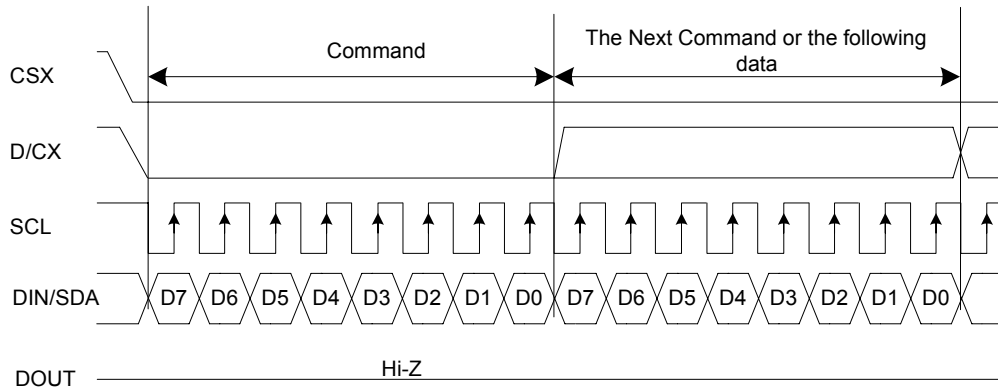
Note: SCL is an unsynchronized signal; it can be stopped.

During the write sequence the host processor writes one or more bytes of information to the display module via the interface. The write sequence is initiated when CSX is driven from high to low and ends when CSX is pulled high. Each byte is either nine or sixteen write cycles in length. If the optional D/CX signal is used a byte is eight write cycles long. D/CX is driven low while command information is on the interface and is pulled high when data is present.

The type C interface write sequences are described in the following Figure



DBI Type C Interface Write Sequence - Option 1



**DBI Type C Interface Write Sequence - Option 3**

Note:

1. D7 is MSB and D0 is LSB of byte.
2. When the Interface control register (C6h) SDA\_EN is set as '1', the DIN/SDA pin is bi-direction and DOUT pin is not used.
3. When the Interface control register (C6h) SDA\_EN is set as '0', the DIN/SDA pin is uni-direction and DIN and DOUT pins are used for data write and read.

**DBI Type C Interface IM[2:0]=101/111**

	Set_pixel_format	DFM	DB7	DB6	DB5	DB4	DB3	DB2	DB1	DB0	DB7	DB6	DB5	DB4	DB3	DB2	DB1	DB0	DB7	DB6	DB5	DB4	DB3	DB2	DB1	DB0
3bpp Frame Memory Write	3'h1	0			R1[0]	G1[0]	B1[0]	R2[0]	G2[0]	B2[0]			R3[0]	G3[0]	B3[0]	R4[0]	G4[0]	B4[0]			R5[0]	G5[0]	B5[0]	R6[0]	G6[0]	B6[0]
18bpp Frame Memory Write	3'h6	*	R[5]	R[4]	R[3]	R[2]	R[1]	R[0]			G[5]	G[4]	G[3]	G[2]	G[1]	G[0]			B[5]	B[4]	B[3]	B[2]	B[1]	B[0]		
18bpp Frame Memory Read		*	r[5]	r[4]	r[3]	r[2]	r[1]	r[0]			g[5]	g[4]	g[3]	g[2]	g[1]	g[0]			b[5]	b[4]	b[3]	b[2]	b[1]	b[0]		

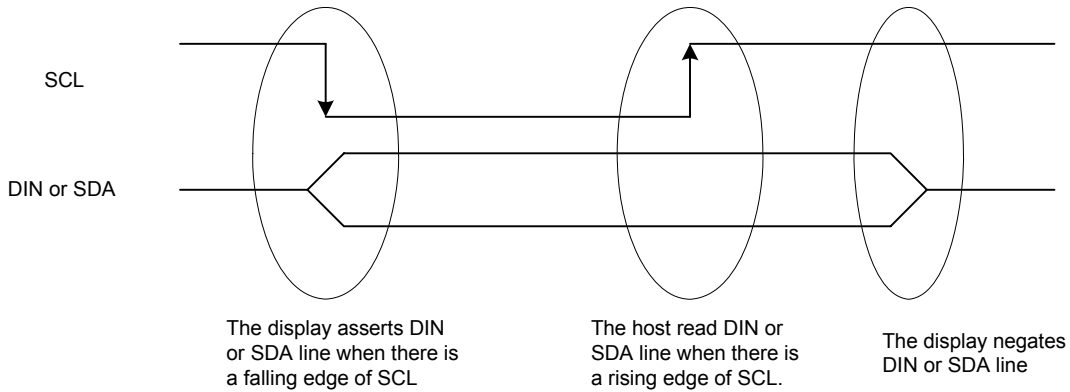
**3/16-bit data extend to 18-bit**

	Set_pixel_format	EPF[1:0]	DB17	DB16	DB15	DB14	DB13	DB12	DB11	DB10	DB9	DB8	DB7	DB6	DB5	DB4	DB3	DB2	DB1	DB0
18bpp	*		R[5]	R[4]	R[3]	R[2]	R[1]	R[0]	G[5]	G[4]	G[3]	G[2]	G[1]	G[0]	B[5]	B[4]	B[3]	B[2]	B[1]	B[0]
3bpp	*		R[0]	R[0]	R[0]	R[0]	R[0]	R[0]	G[0]	G[0]	G[0]	G[0]	G[0]	G[0]	B[0]	B[0]	B[0]	B[0]	B[0]	B[0]

### 7.2.2. Read Cycle and Sequence

During a read cycle the host processor reads a single bit of data from the display module via the interface. The Type C interface utilizes CSX, SCL and DIN signals. SCL is driven from high to low then pulled back to high during the read cycle. The display module provides information during the read cycle while the host processor reads the display module information on the rising edge of SCL. D/CX is driven during the read cycle if it is used in option 3.

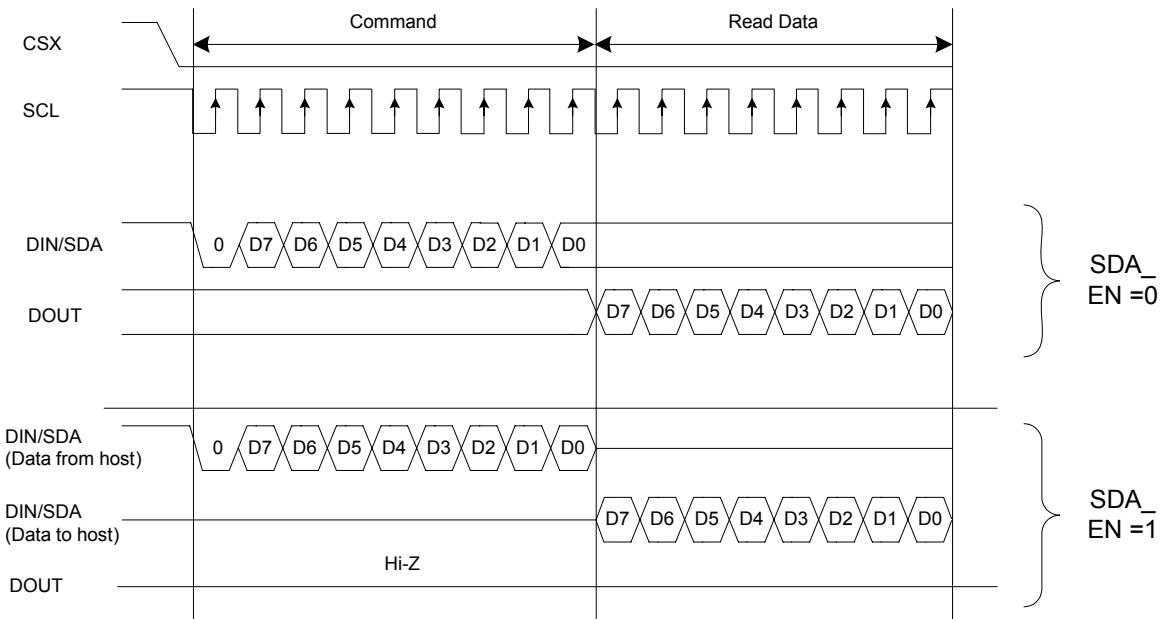
The following figure shows the read cycle for the type C interface.



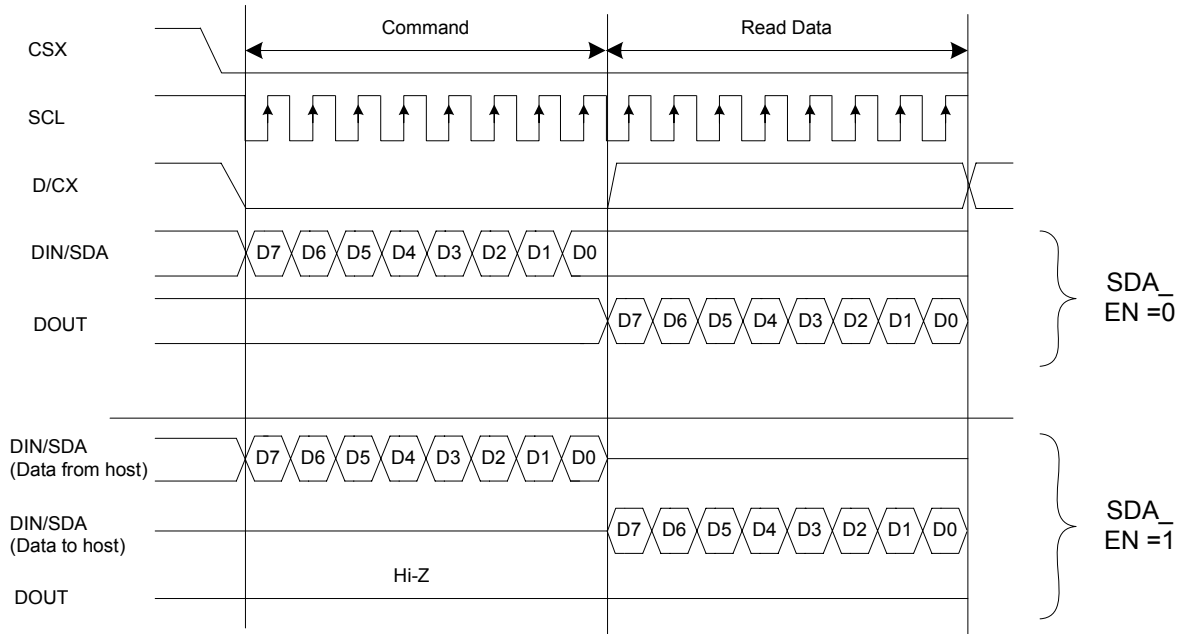
Note: SCL is an unsynchronized signal; it can be stopped.

During the read sequence the host processor reads one or more bytes of information from the display module via the interface. The read sequence is initiated when CSX is driven from high to low and ends when CSX is pulled high. Each byte is either nine or sixteen write cycles in length. If the optional D/CX signal is used a byte is eight read cycles long. D/CX is driven low while command information is on the interface and is pulled high when data is present.

The type C interface read sequences are shown in the following figures



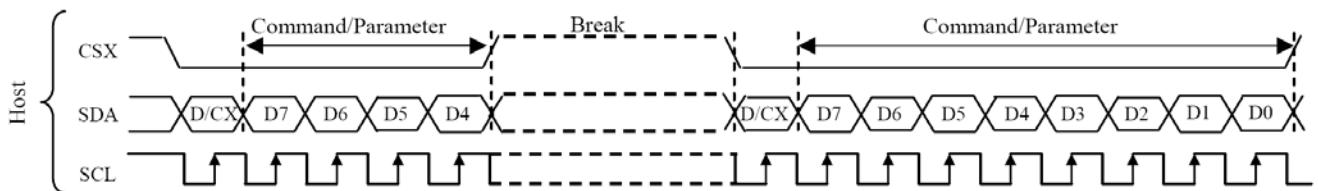
Note: D7 is MSB and D0 is LSB of byte.



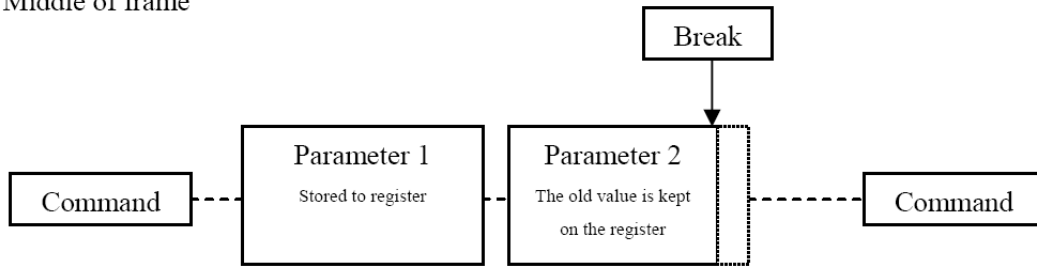
### 7.2.3. Break and Pause Sequences

The host processor can break a read or write sequence by pulling the CSX signal high during a command or data byte. The display module shall reset its interface so it will be ready to receive the same byte when CSX is again driven low.

The host processor can pause a read or write sequence by pulling the CSX signal high between command or data bytes. The display module shall wait for the host processor to drive CSX low before continuing the read or write sequence at the point where the sequence was paused.

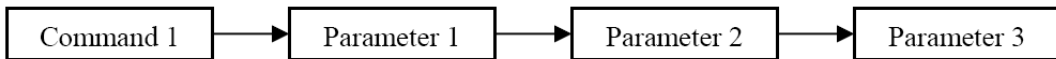


1. Middle of frame

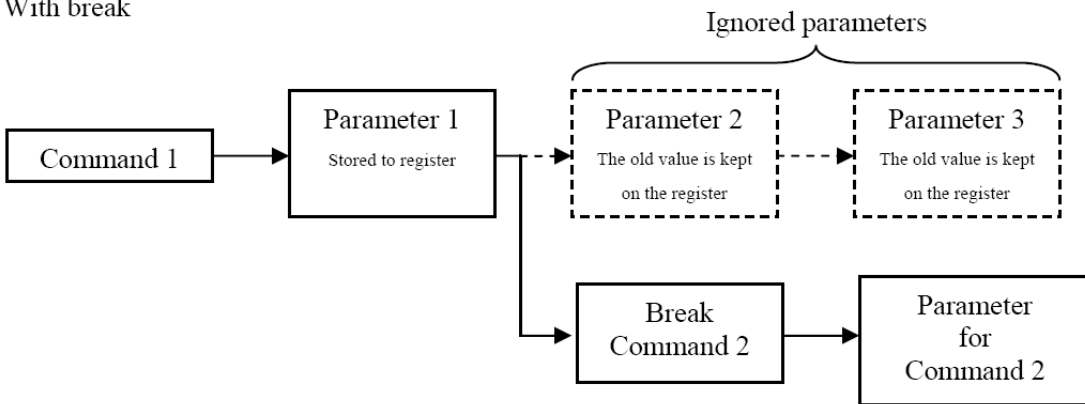


2. Between frames

Without break



With break



Break can be e.g. another command or noise pulse.

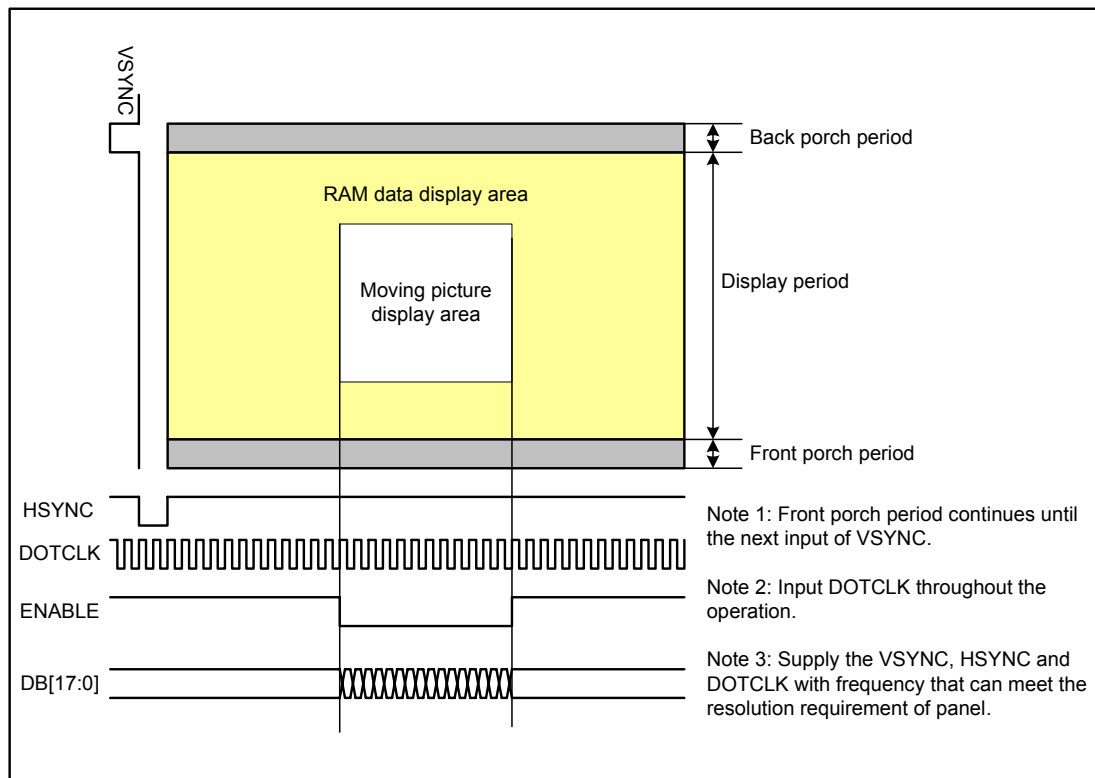
### 7.3. Display Pixel Interface (DPI)

In normal operation, systems based on DPI architecture rely on the host processor to continuously provide complete frames of image data at a sufficient frame rate to avoid flicker or other visible artifacts. The displayed image, or frame, is comprised of a rectangular array of pixels. The frame is transmitted from the host processor to a display module as a sequence of pixels, with each horizontal line of the image data sent as a group of consecutive pixels.

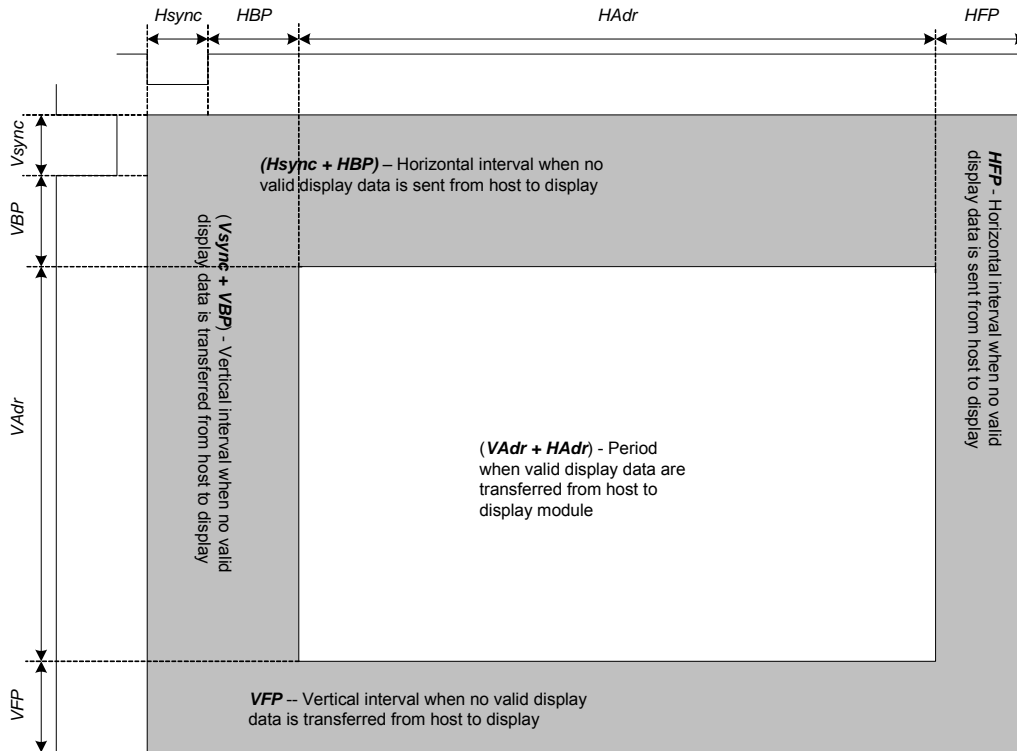
Vsync indicates the beginning of each frame of the displayed image.

Hsync signals the beginning of each horizontal line of pixels.

Each pixel value (16 or 18-bit data) is transferred from the host processor to the display module during one pixel period. The rising edge of PCLK is used by the display module to capture pixel data. Since PCLK runs continuously, control signal DE is required to indicate when valid pixel data is being transmitted on the pixel data signals.





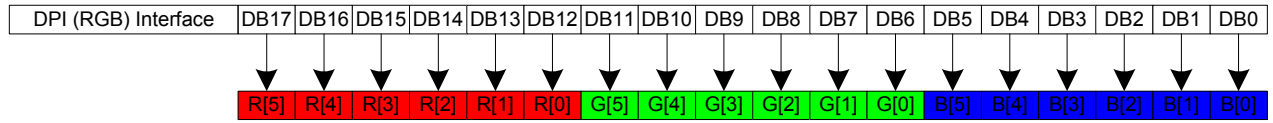


Parameters	Symbols	Condition	Min.	Typ.	Max.	Units
PCLK Cycle	PCLK <sub>CYC</sub>		-	88	-	ns
Horizontal Synchronization	Hsync		-	10	-	PCLK
Horizontal Back Porch	HBP		-	20	-	PCLK
Horizontal Address	HAdr		-	320	-	PCLK
Horizontal Front Porch	HFP		-	10	-	PCLK
Vertical Synchronization	Vsync		-	2	-	Line
Vertical Back Porch	VBP		-	2	-	Line
Vertical Address	VAdr		-	432	-	Line
Vertical Front Porch	VFP		-	4	-	Line
Vsync setup time	VSST				-	Hz
Vsync hold time	VSHT				-	Hz
Hsync setup time	HSST				-	Hz
Hsync hold time	HSHT				-	Hz
Data setup time	DST				-	Hz
Data hold time	DHT				-	Hz
Vertical Frequency(*)				60	-	Hz
Horizontal Frequency(*)			-	29.282	-	KHz
PCLK Frequency(*)			-	11.42Mhz	TBD	MHz

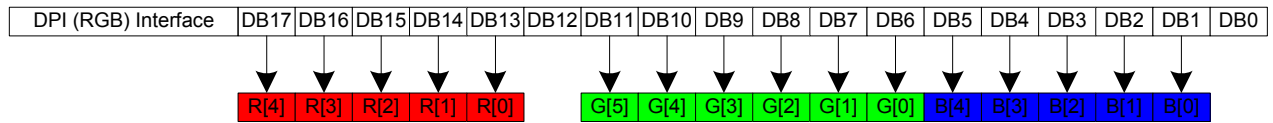
Notes:

1. Vertical period (one frame) shall be equal to the sum of Vsync + VBP + VAdr + VFP.
2. Horizontal period (one line) shall be equal to the sum of Hsync + HBP + HAdr + HFP.
3. Control signals PCLK and Hsync shall be transmitted as specified at all times while valid pixels are transferred between the host processor and the display module.

**18bit DPI Interface Connection: set\_pixel\_format D[6:4]=3'h6 : 18bpp**



**16bit DPI Interface Connection: set\_pixel\_format D[6:4]=3'h5 : 16bpp**



## 7.4. Mobile Display Digital Interface (MDDI)

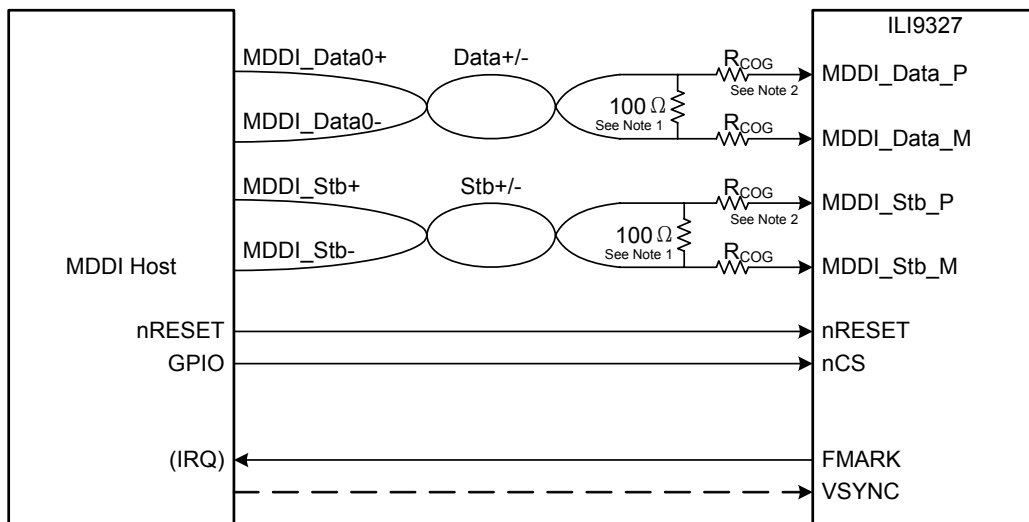
MDDI (Mobile display digital interface) is a differential small amplitude serial interface for high-speed data transfer via following 4 lines: Stb+/- (MDDI\_STBP\_B, MDDI\_STB\_M\_B), Data+/- (MDDI\_DATA\_P\_B, MDDI\_DATA\_M\_B).

The specifications of MDDI supported by the ILI9327 are compatible to the MDDI specifications disclosed by VESA, Video Electronics Standards Association. The following are the specifications particular to the ILI9327's MDDI.

### ILI9327 MDDI Specifications

- MDDI Type-I
- High-speed, differential, small-amplitude data transfer via Stb+/-, Data+/- lines
- MDDI client: the ILI9327 enables direct connection to the base band (BB) chip without bridge chip
- Cost-performance optimized interface for mobile display systems
  1. Only internal mode (one client) and Forward Link are supported
  2. Hibernation mode to save power consumption
  3. Tearing-free moving picture display via FMARK/VSYNC interface
  4. Moving picture display with low power consumption, realized by the features 2 ~ 3
  5. Shutdown mode for saving power consumption in the standby state

Incorporates an output port for sub-display interface or peripheral control providing single-chip solution for MDDI mobile display systems



Notes:

1. An external end resistor of 100 ohm is necessary between Data+ and Data- lines
2. Make the COG wiring resistances of Data+/-, Stb+/- lines as small as possible ( $R_{COG} < 10 \text{ ohm}$ ).
3. The max transmission rate is 130 Mbps!

### MDDI Link Protocol (Packets Supported by the ILI9327)

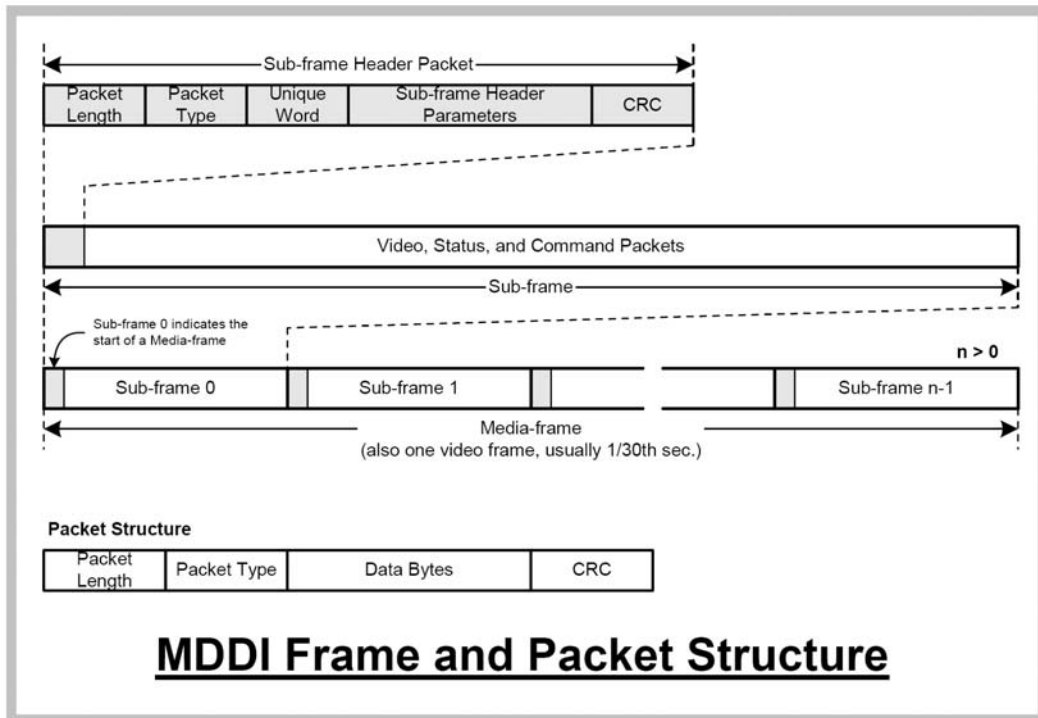
*The information contained herein is the exclusive property of ILI Technology Corp. and shall not be distributed, reproduced, or disclosed in whole or in part without prior written permission of ILI Technology Corp.*

The MDDI Link Protocol of the ILI9327 is in line with the MDDI specifications disclosed by VESA. See the MDDI specifications by VESA for details on the MDDI Link Protocol.

The MDDI packets supported by the ILI9327 are as follows. Do not send packets not supported by the ILI9327 in the system incorporating the ILI9327.

Refer to MDDI packet structure, sub-frame header packet is placed in front of a sub-frame and some sub-frame construct media-frame together. The following table describes 9 types of packet which is supported in ILI9327.

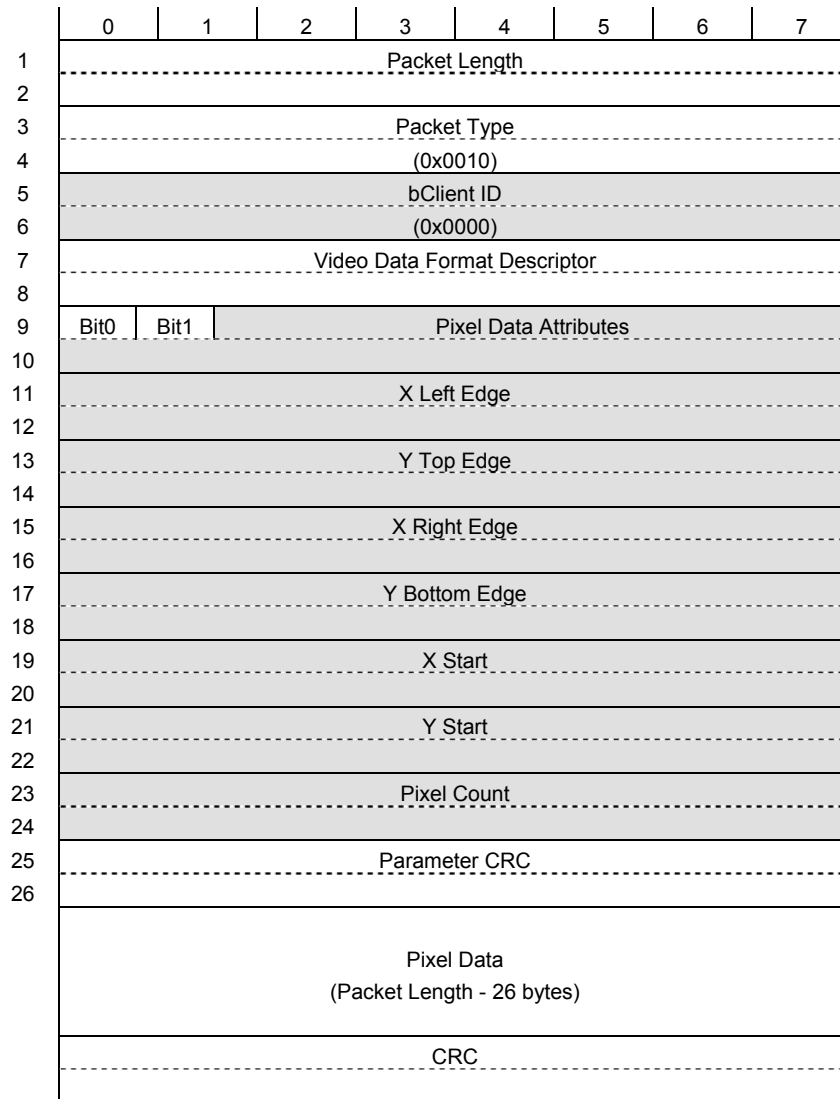
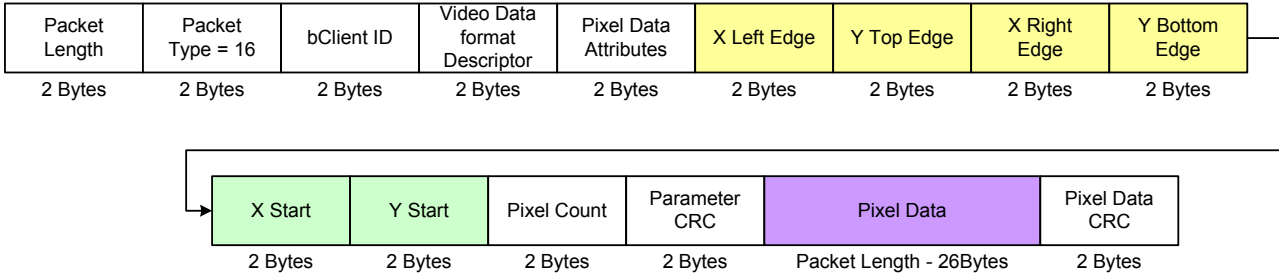
Packet	Function	Direction
Sub-frame header packet	Header of each sub frame	Forward
Register access packet	Register setting	Forward
Video stream packet	Video data transfer	Forward
Filler packet	Fill empty packet space	Forward
Reverse link encapsulation packet	Reverse data packet	Reverse
Round-trip delay measurement packet	Host->client->host delay check	Forward/Reverse
Client capability packet	Capability of client check	Reverse
Client request and status packet	Information about client status	Reverse
Link shutdown packet	End of frame	Forward



		Sub-Frame Header Packet							
		0	1	2	3	4	5	6	7
Bytes ↓	1	Packet Length							
	2	(0x0014)							
	3	Packet Type							
	4	(0x3bFF)							
	5	Unique Word							
	6	(0x005A)							
	7	Reserved 1							
	8	(0x0000)							
	9	Sub-Frame Length							
	10	-----							
	11	-----							
	12	-----							
	13	Protocol Version							
	14	(0x0000)							
	15	Sub-frame Count							
	16	-----							
	17	Media-frame Count							
	18	-----							
	19	-----							
	20	-----							
	21	CRC							
	22	(0x0000)							

**Video Stream Packet**

The ILI9327 writes image data to RAM via Video Stream Packet. The window and RAM addresses are set via Register Access Packet.



*Note: The parameters colored in gray are not supported by the ILI9327.*

**Video Data Format Descriptor:** sets the pixel data format. The ILI9327 supports only the following format. Set the same pixel format (bpp) as selected by DSS[1:0] in Video Data Format Descriptor.

[15:13]	[12]	[11:8]	[7:4]	[3:0]	
010	1	0x5	0x6	0x5	Packed 16bpp RGB format (R:G:B=5:6:5)
010	1	0x6	0x6	0x6	Packed 18bpp RGB format (R:G:B=6:6:6)
Others					Setting disabled

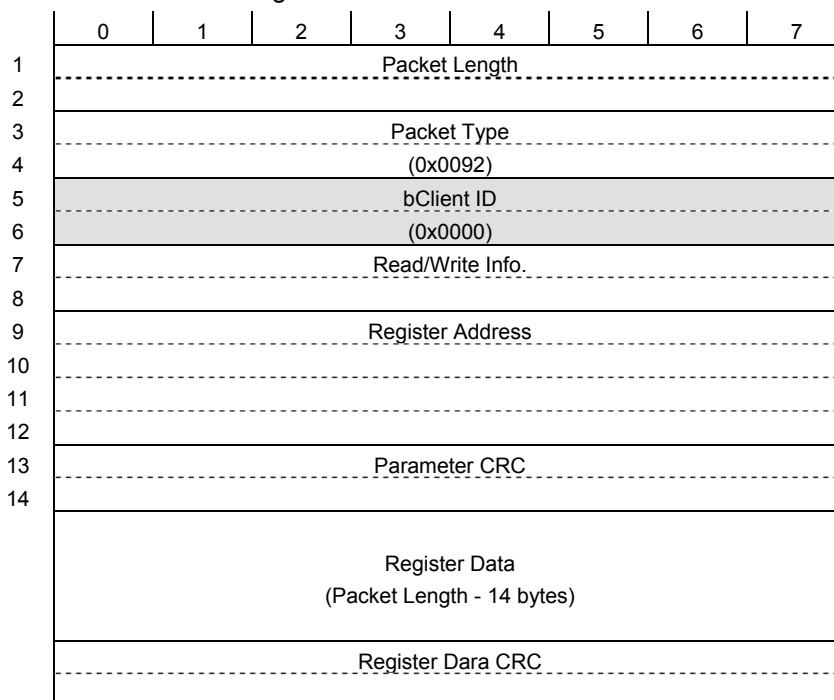
	MDDI Bytes n								MDDI Bytes (n+1)								MDDI Bytes (n+2)							
	0	1	2	3	4	5	6	7	0	1	2	3	4	5	6	7	0	1	2	3	4	5	6	7
Packet 16bpp	0	1	2	3	4	0	1	2	3	4	5	0	1	2	3	4	0	1	2	3	4	0	1	2
	Pixel 1 Blue				Pixel 1 Green				Pixel 1 Red				Pixel 2 Blue				Pixel 2							
Packet 18bpp	0	1	2	3	4	5	0	1	2	3	4	5	0	1	2	3	4	5	0	1	2	3	4	5
	Pixel 2 Blue				Pixel 2 Green				Pixel 2 Red				Pixel 2 Blue											

**Pixel Data Attributes:** the image data sent via Video Stream Packet is recognized as either the data for the main-panel or for the sub-panel according to the setting in [1:0] bits in this field.

Pixel Data Attributes	Bits[1:0]	Description
0x0000	00	The Video Stream Packet data is recognized as the sub-panel data. The Video Stream Packet data is outputted via sub-display interface and not written in the ILI9327.
0x0001	01	Setting disabled
0x0002	10	Setting disabled
0x0003	11	The Video Stream Packet data is recognized as the data written in the ILI9327. The Video Stream Packet data is written in the ILI9327 and not outputted via sub-display interface.
Others		

## Register Access Packet

Register Access Packet is used when setting instruction to the ILI9327.



Note: The parameters colored in gray are not supported by the ILI9327.

**Read/Write Info:** Read or Write information in register access. The ILI9327 supports the following access setting.

Bits[15:14]	Bits[13:00]	Description
2'b00	0xn	Write one register by register access packet
2'b10	0xn	Read one register by register access packet
others		Setting disabled

**Register Address:** The index of the register to be accessed is set in Register Address area and the Register Address Packet is directed to the ILI9327 or the sub display is determined by the setting in Register Address area.

Bits[31:16]	Description
16'h0000	The Register Access Packet is directed to the ILI9327 via main-display interface.
16'h0001	The Register Access Packet is directed to the sub display via sub-display interface.
16'h0002 ~ 16'h7FFF	Setting disabled

Bits[15:0]	Description
16'h0000~FFFF	Bits [15:0] are used as index [15:0].

**Register Data:** The data for register access is written in Register Data. The length of Register Data will depends on the parameter length of command.



Example of Register Access Packet (e.g. write to the ILI9327)

	0	1	2	3	4	5	6	7
1	Packet Length					<b>(0x12)</b>		
2	(0x00)							
3	Packet Type					(0x92)		
4	(0x00)							
5	bClient ID					(0x00)		
6	(0x00)							
7	Read/Write Info.					(0x01)		
8	(0x00)							
9	Register Address					(index ID[7:0])		
10	(index ID[15:8])							
11						<b>(0x00) → Main Panel (ILI9327)</b>		
12						<b>(0x01) → Sub panel</b>		
13	(0x00)							
14	Parameter CRC							
15	Register Data List <b>(Various Length)</b>					1 <sup>st</sup> Parameter		
16	2 <sup>nd</sup> Parameter							
17	3 <sup>rd</sup> Parameter							
18	0x00							
19	Parameter CRC							
20								

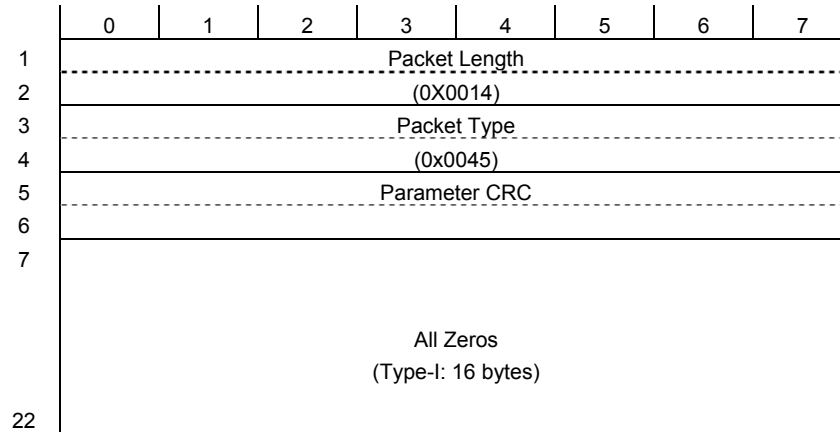
Note: The parameters colored in gray are not supported by the ILI9327.

### Register Access Packet Restrictions

The ILI9327's internal RAM is accessible via Video Stream Packet. RAM access data is not included in Register Access Packet.

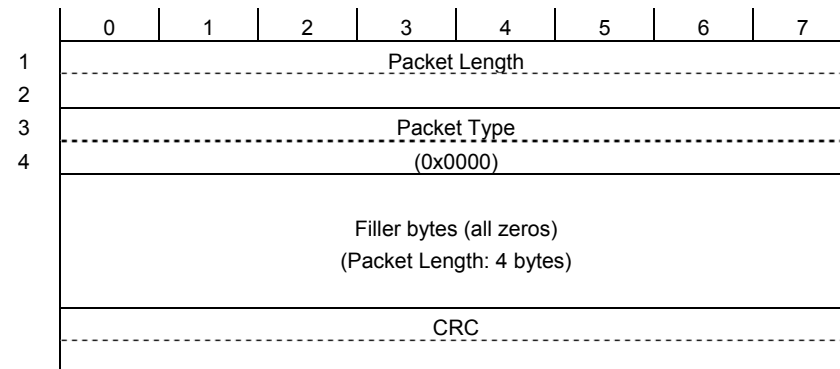
### Link Shutdown Packet

This packet is used to bring Link to the Hibernation state.



Note: The parameters colored in gray are not supported by the ILI9327.

### Filler Packet



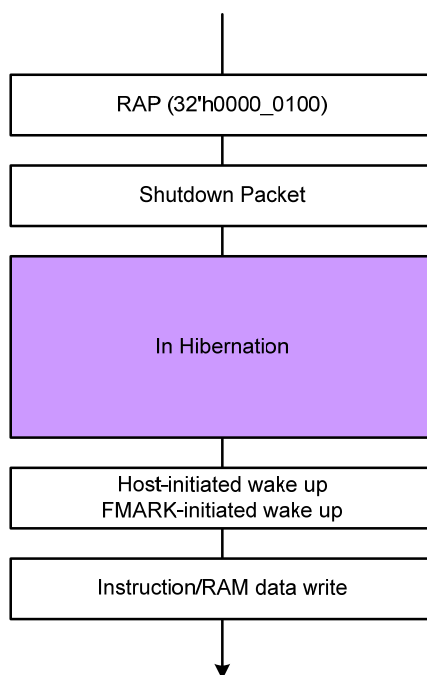
## Hibernation Setting

The ILI9327's Client MDDI supports Hibernation setting. There are two ways to cancel the Hibernation setting, which can be selected according to the condition of use.

### Hibernation Cancellation

Host-initiated wake up	In power-saving mode such as standby
TE-initiated wake up	Save power consumption in transferring moving picture data Host-initiated wake up triggered by the output from TE.

The Hibernation setting and cancellation sequence must be compatible with the VESA-MDDI specifications.



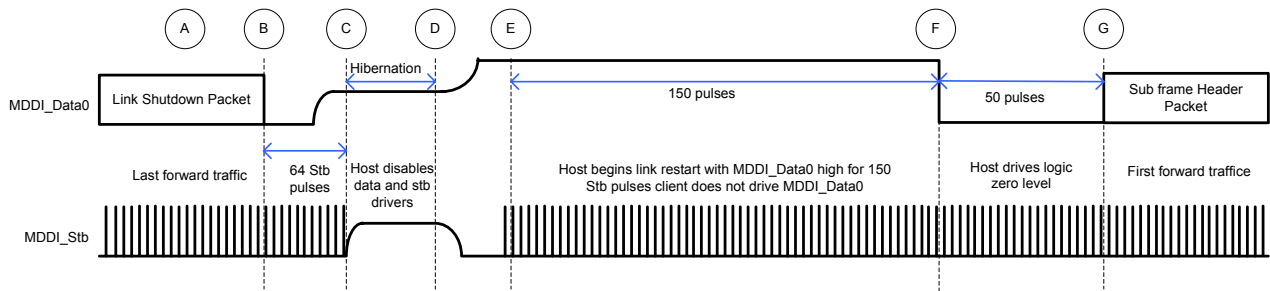
### Host-Initiated Wake up from Hibernation

The host initiated wake up is described below without contention from the client trying to wake up at the same time. The following sequence of events is illustrated in the figures below!

- A. The host sends a Link Shutdown Packet to inform the client that the link will transition to the low power hibernation state.
- B. Following the CRC of the Link Shutdown Packet the host toggles MDDI\_Stb for 64 cycles to allow processing in the client to finish before it stops MDDI\_Stb from toggling which stops the recovered clock in the client device. During the interval the host initially sets MDDI\_Data0 to a logic zero level, and then disables the MDDI\_Data0 output in the range of 16 to 48 MDDI\_Stb cycles (including output disable propagation delays) after the CRC. It may be desirable for the client to place its high-speed receivers for MDDI\_Data0 and MDDI\_Stb into a low power state any time after 48 MDDI\_Stb cycles after the CRC and before point C.
- C. The host enters the low power hibernation state by disabling the MDDI\_Data0 and MDDI\_Stb drivers and by placing the host controller into a low power hibernation state. It is also allowable for MDDI\_Stb to be driven to a logic zero level or to continue toggling during hibernation. The client is also in the low power hibernation

state.

- D. After a while, the host begins the line restart sequence by enabling the MDDI\_Data0 and MDDI\_Stb driver outputs. The host drives MDDI\_Data0 to a logic one level and MDDI\_Stb to a logic zero level for at least 200nsec after MDDI\_Data0 reaches a valid logic one level and MDDI\_Stb reaches a valid logic zero level before driving pulses on MDDI\_Stb. This gives the client sufficient time to prepare to receive high speed pulses on MDDI\_Stb. The client first detects the wake up pulse using a low power differential receiver having a +125mV input offset voltage.
- E. The host drivers are fully enabled and MDDI\_Data0 is being driven to a logic one level. The host begins to toggle MDDI\_Stb in a manner consistent with having a logic zero level on MDDI\_Data0 for a duration of 150 MDDI\_Stb cycles.
- F. The host drives MDDI\_Data0 to a logic zero level for 50 MDDI\_Stb cycles. The client begins to look for the Sub frame Header Packet after MDDI\_Data0 is at a logic zero level for 40 MDDI\_Stb cycles.
- G. The host begins to transmit data on the forward link by sending a Sub-frame Header packet. Beginning at point G the MDDI host generates MDDI\_Stb based on the logic level on MDDI\_Data0 so that proper data-strobe encoding commences from point G.



## 8. Command

### 8.1. Command List

Operational Code (Hex)	Command	Command(C) /Read(R) /Write(W)	Number Of Parameter	MIPI DCS Type1 Requirement	ILI9327 Implementation
00h	nop	C	0	Yes	Yes
01h	soft_reset	C	0	Yes	Yes
06h	get_red_channel	R	1	No	No
07h	get_green_channel	R	1	No	No
08h	get_blue_channel	R	1	No	No
0Ah	get_power_mode	R	1	Yes	Yes
0Bh	get_address_mode	R	1	Yes (Bit[7:0])	Yes (Bit[7:3]) , Only
0Ch	get_pixel_format	R	1	Yes	Yes
0Dh	get_display_mode	R	1	Yes	Yes
0Eh	get_signal_mode	R	1	Yes	Yes
0Fh	get_diagnostic_result	R	1	Bit7/6 : Yes Bit5/4 : Optional	Yes (Bit7/6 Only)
10h	enter_sleep_mode	C	0	Yes	Yes
11h	exit_sleep_mode	C	0	Yes	Yes
12h	enter_partial_mode	C	0	Yes	Yes
13h	enter_normal_mode	C	0	Yes	Yes
20h	exit_invert_mode	C	0	Yes	Yes
21h	enter_invert_mode	C	0	Yes	Yes
28h	set_display_off	C	0	Yes	Yes
29h	set_display_on	C	0	Yes	Yes
2Ah	set_column_address	W	4	Yes	Yes
2Bh	set_page_address	W	4	Yes	Yes
2Ch	write_memory_start	W	Variable	Yes	Yes
2Eh	read_memory_start	R	Variable	Yes	Yes
30h	set_partial_area	W	4	Yes	Yes
33h	set_scroll_area	W	6	Yes	Yes
34h	set_tear_off	C	0	Yes	Yes
35h	set_tear_on	W	1	Yes	Yes
36h	set_address_mode	W	1	Yes (Bit7-0)	Yes (Bit[7:3], Bit[1:0] Only)
37h	set_scroll_start	W	2	Yes	Yes
38h	exit_idle_mode	C	0	Yes	Yes
39h	enter_idle_mode	C	0	Yes	Yes
3Ah	set_pixel format	W	1	Yes	Yes
3Ch	write_memory_continue	W	Variable	Yes	Yes
3Eh	read_memory_continue	R	Variable	Yes	Yes
44h	set_tear_scanline	W	2	Yes	Yes
45h	get_scanline	R	2	Yes	Yes
51h	Write Display Brightness	W	1	-	Yes
52h	Read Display Brightness	R	1	-	Yes
53h	Write CTRL Display	W	1	-	Yes
54h	Read CTRL Display	R	1	-	Yes
55h	Write Content Adaptive Brightness Control	W	1	-	Yes
56h	Read Content Adaptive Brightness Control	R	1	-	Yes
5Eh	Write CABC Minimum Brightness	W	1	-	Yes
5Fh	Read CABC Minimum Brightness	R	1	-	Yes

A1h	read_DDB_start	R	1	Yes	Yes
B0h	Command Access Protect	R/W	1	-	Yes
B1h	Low Power Mode Control	R/W	1	-	Yes
B3h	Frame Memory Access and Interface Setting	R/W	4	-	Yes
B4h	Display Mode and Frame Memory Write Mode Setting	R/W	1	-	Yes
B5h	Sub-Panel Control Register	R/W	1	-	Yes
B8h	Backlight Control 1	R/W	1	-	Yes
B9h	Backlight Control 2	R/W	1	-	Yes
BAh	Backlight Control 3	R/W	1	-	Yes
BBh	Backlight Control 4	R/W	1	-	Yes
BCh	Backlight Control 5	R/W	1	-	Yes
BEh	Backlight Control 7	R/W	1	-	Yes
BFh	Backlight Control 8	R/W	1	-	Yes
C0h	Panel Driving Setting	R/W	6		Yes
C1h	Display_Timing_Setting for Normal/Partial Mode	R/W			Yes
C3h	Display_Timing_Setting for Idle Mode	R/W			Yes
C4h	Source/VCOM/Gate Timing Setting	R/W			Yes
C5h	Frame Rate Control	R/W			Yes
C6h	Interface Control	R/W			Yes
C8h	Gamma Setting	R/W			Yes
C9h	Gamma Setting for Red/Blue Color	R/W			Yes
D0h	Power_Setting	R/W			Yes
D1h	VCOM Control	R/W			Yes
D2h	Power_Setting for Normal Mode	R/W			Yes
D3h	Power_Setting for Partial Mode	R/W			Yes
D4h	Power_Setting for Idle Mode	R/W			Yes
E0h	NV Memory Write	R/W			Yes
E1h	NV Memory Control	R/W			Yes
E2h	NV Memory Status Read	R/W			Yes
E3h	NV Memory Protection	R/W			Yes
EAh	3-Gamma Function Control	R/W			Yes
EFh	Device Code Read	R/W			Yes

Operational Code (Hex)	Function	Command(C) Read(R)/Write(W)	Number Of Parameter
B0h	Command Access Protect	W/R	1
B1h	Low Power Mode Control	W/R	1
B3h	Frame Memory Access and Interface setting	W/R	5
B4h	Display Mode and Frame Memory Write Mode setting	W/R	1
BFh	Device code Read	R	4
C0h	Panel Driving Setting	W/R	7
C1h	Display Timing Setting for Normal Mode	W/R	3
C2h	Display Timing Setting for Partial Mode	W/R	3
C3h	Display Timing Setting for Idle Mode	W/R	3
C5h	Frame rate and Inversion Control	W/R	1
C6h	Interface Control	W/R	1
C8h	Gamma Setting	W/R	12
D0h	Power Setting	W/R	3
D1h	VCOM Control	W/R	3
D2h	Power Setting for Normal Mode	W/R	2
D3h	Power Setting for Partial Mode	W/R	2
D4h	Power Setting for Idle Mode	W/R	2
E0h	NV Memory Write	W/R	1
E1h	NV Memory Control	W/R	1
E2h	NV Memory Status	W/R	3
E3h	NV Memory Protection	W/R	2
B0~FF Except above command	LSI TEST Registers	W/R	Variable

## 8.2. Command Description

### 8.2.1. NOP (00h)

00H	NOP (No Operation)																								
	D/CX	RDX	WRX	D17-D8	D7	D6	D5	D4	D3	D2	D1	D0	HEX												
Command	0	1	↑	X	0	0	0	0	0	0	0	0	00												
Parameter	NO PARAMETER																								
Description	This command is an empty command; it does not have any effect on the display module. However it can be used to terminate Frame Memory Write or Read as described in RAMWR (Memory Write) and RAMRD (Memory Read) Commands. X = Don't care.																								
Restriction	None																								
Register Availability	<table border="1"> <thead> <tr> <th>Status</th> <th>Availability</th> </tr> </thead> <tbody> <tr> <td>Normal Mode On, Idle Mode Off, Sleep Out</td> <td>Yes</td> </tr> <tr> <td>Normal Mode On, Idle Mode On, Sleep Out</td> <td>Yes</td> </tr> <tr> <td>Partial Mode On, Idle Mode Off, Sleep Out</td> <td>Yes</td> </tr> <tr> <td>Partial Mode On, Idle Mode On, Sleep Out</td> <td>Yes</td> </tr> <tr> <td>Sleep In</td> <td>Yes</td> </tr> </tbody> </table>													Status	Availability	Normal Mode On, Idle Mode Off, Sleep Out	Yes	Normal Mode On, Idle Mode On, Sleep Out	Yes	Partial Mode On, Idle Mode Off, Sleep Out	Yes	Partial Mode On, Idle Mode On, Sleep Out	Yes	Sleep In	Yes
Status	Availability																								
Normal Mode On, Idle Mode Off, Sleep Out	Yes																								
Normal Mode On, Idle Mode On, Sleep Out	Yes																								
Partial Mode On, Idle Mode Off, Sleep Out	Yes																								
Partial Mode On, Idle Mode On, Sleep Out	Yes																								
Sleep In	Yes																								
Default	<table border="1"> <thead> <tr> <th>Status</th> <th>Default Value</th> </tr> </thead> <tbody> <tr> <td>Power On Sequence</td> <td>N/A</td> </tr> <tr> <td>SW Reset</td> <td>N/A</td> </tr> <tr> <td>HW Reset</td> <td>N/A</td> </tr> </tbody> </table>													Status	Default Value	Power On Sequence	N/A	SW Reset	N/A	HW Reset	N/A				
Status	Default Value																								
Power On Sequence	N/A																								
SW Reset	N/A																								
HW Reset	N/A																								
Flow Chart	None																								



### 8.2.2. Soft\_reset (01h)

01H	Soft_reset																								
	D/CX	RDX	WRX	D17-D8	D7	D6	D5	D4	D3	D2	D1	D0	HEX												
Command	0	1	↑	X	0	0	0	0	0	0	0	1	01												
Parameter	NO PARAMETER																								
Description	<p>When the Software Reset command is written, it causes software reset. It resets the commands and parameters to their S/W Reset default values. (See default tables in each command description.)</p> <p>Note: The Frame Memory contents are affected by this command.</p> <p>X = Don't care</p>																								
Restriction	<p>Software Reset Command cannot be sent during Sleep Out sequence.</p> <p>Any new command is cannot be sent for 10-frame period until the ILI9327 enters Sleep-In mode. Do not send any command.</p>																								
Register Availability	<table border="1"> <thead> <tr> <th>Status</th> <th>Availability</th> </tr> </thead> <tbody> <tr> <td>Normal Mode On, Idle Mode Off, Sleep Out</td> <td>Yes</td> </tr> <tr> <td>Normal Mode On, Idle Mode On, Sleep Out</td> <td>Yes</td> </tr> <tr> <td>Partial Mode On, Idle Mode Off, Sleep Out</td> <td>Yes</td> </tr> <tr> <td>Partial Mode On, Idle Mode On, Sleep Out</td> <td>Yes</td> </tr> <tr> <td>Sleep In</td> <td>Yes</td> </tr> </tbody> </table>													Status	Availability	Normal Mode On, Idle Mode Off, Sleep Out	Yes	Normal Mode On, Idle Mode On, Sleep Out	Yes	Partial Mode On, Idle Mode Off, Sleep Out	Yes	Partial Mode On, Idle Mode On, Sleep Out	Yes	Sleep In	Yes
Status	Availability																								
Normal Mode On, Idle Mode Off, Sleep Out	Yes																								
Normal Mode On, Idle Mode On, Sleep Out	Yes																								
Partial Mode On, Idle Mode Off, Sleep Out	Yes																								
Partial Mode On, Idle Mode On, Sleep Out	Yes																								
Sleep In	Yes																								
Default	<table border="1"> <thead> <tr> <th>Status</th> <th>Default Value</th> </tr> </thead> <tbody> <tr> <td>Power On Sequence</td> <td>N/A</td> </tr> <tr> <td>SW Reset</td> <td>N/A</td> </tr> <tr> <td>HW Reset</td> <td>N/A</td> </tr> </tbody> </table>													Status	Default Value	Power On Sequence	N/A	SW Reset	N/A	HW Reset	N/A				
Status	Default Value																								
Power On Sequence	N/A																								
SW Reset	N/A																								
HW Reset	N/A																								
Flow Chart	<pre> graph TD     SWRESET[SWRESET] --&gt; Display[Display whole blank screen]     Display --&gt; Set[Set Commands to S/W Default Value]     Set --&gt; Sleep[Sleep In Mode]     </pre> <p>Legend:</p> <ul style="list-style-type: none"> <li>Command: [ ]</li> <li>Parameter: /</li> <li>Display: [ ]</li> <li>Action: [ ]</li> <li>Mode: [ ]</li> <li>Sequential transfer: [ ]</li> </ul>																								

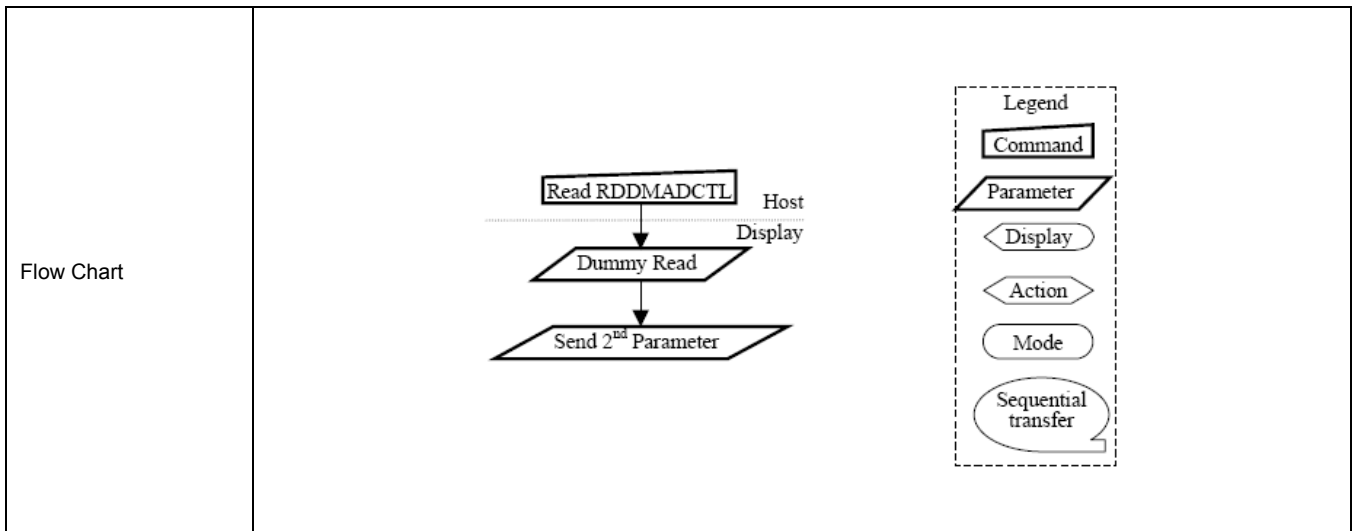
### 8.2.3. Get\_power\_mode (0Ah)

0AH	Get_power_mode																																							
	D/CX	RDX	WRX	D17-8	D7	D6	D5	D4	D3	D2	D1	D0	HEX																											
Command	0	1	↑	x	0	0	0	0	1	0	1	0	0A																											
1 <sup>st</sup> Parameter	1	↑	1	x	x	x	x	x	x	x	x	x	xx																											
2 <sup>nd</sup> Parameter	1	↑	1	x	D7	D6	D5	D4	D3	D2	0	0	08																											
Description	<p>This command indicates the current status of the display as described in the table below:</p> <table border="1"> <thead> <tr> <th>Bit</th> <th>Description</th> <th>Comment</th> </tr> </thead> <tbody> <tr> <td>D7</td> <td>Not Defined</td> <td>Set to '0'</td> </tr> <tr> <td>D6</td> <td>Idle Mode On/Off</td> <td></td> </tr> <tr> <td>D5</td> <td>Partial Mode On/Off</td> <td></td> </tr> <tr> <td>D4</td> <td>Sleep In/Out</td> <td></td> </tr> <tr> <td>D3</td> <td>Display Normal Mode On/Off</td> <td></td> </tr> <tr> <td>D2</td> <td>Display On/Off</td> <td></td> </tr> <tr> <td>D1</td> <td>Not Defined</td> <td>Set to '0'</td> </tr> <tr> <td>D0</td> <td>Not Defined</td> <td>Set to '0'</td> </tr> </tbody> </table> <ul style="list-style-type: none"> <li>◆ Bit D7 – Booster Voltage Status                      '0' = Booster Off or has a fault.                      '1' = Booster On and working OK (Meets Nokia's optical requirements).</li> <li>◆ Bit D6 - Idle Mode On/Off                      '0' = Idle Mode Off.                      '1' = Idle Mode On.</li> <li>◆ Bit D5 – Partial Mode On/Off                      '0' = Partial Mode Off.                      '1' = Partial Mode On.</li> <li>◆ Bit D4 – Sleep In/Out                      '0' = Sleep In Mode.                      '1' = Sleep Out Mode.</li> <li>◆ Bit D3 – Display Normal Mode On/Off                      '0' = Display Normal Mode Off.                      '1' = Display Normal Mode On.</li> <li>◆ Bit D2 – Display On/Off                      '0' = Display is Off.                      '1' = Display is On.</li> <li>◆ Bit D1 – Not Defined                      'This bit is not applicable for this project, so it is set to '0'</li> <li>◆ Bit D0 – Not Defined                      'This bit is not applicable for this project, so it is set to '0'</li> </ul> <p>X = Don't care</p>													Bit	Description	Comment	D7	Not Defined	Set to '0'	D6	Idle Mode On/Off		D5	Partial Mode On/Off		D4	Sleep In/Out		D3	Display Normal Mode On/Off		D2	Display On/Off		D1	Not Defined	Set to '0'	D0	Not Defined	Set to '0'
	Bit	Description	Comment																																					
	D7	Not Defined	Set to '0'																																					
	D6	Idle Mode On/Off																																						
	D5	Partial Mode On/Off																																						
	D4	Sleep In/Out																																						
	D3	Display Normal Mode On/Off																																						
	D2	Display On/Off																																						
	D1	Not Defined	Set to '0'																																					
	D0	Not Defined	Set to '0'																																					

Register Availability	<table border="1"> <thead> <tr> <th>Status</th> <th>Availability</th> </tr> </thead> <tbody> <tr> <td>Normal Mode On, Idle Mode Off, Sleep Out</td> <td>Yes</td> </tr> <tr> <td>Normal Mode On, Idle Mode On, Sleep Out</td> <td>Yes</td> </tr> <tr> <td>Partial Mode On, Idle Mode Off, Sleep Out</td> <td>Yes</td> </tr> <tr> <td>Partial Mode On, Idle Mode On, Sleep Out</td> <td>Yes</td> </tr> <tr> <td>Sleep In</td> <td>Yes</td> </tr> </tbody> </table>	Status	Availability	Normal Mode On, Idle Mode Off, Sleep Out	Yes	Normal Mode On, Idle Mode On, Sleep Out	Yes	Partial Mode On, Idle Mode Off, Sleep Out	Yes	Partial Mode On, Idle Mode On, Sleep Out	Yes	Sleep In	Yes
Status	Availability												
Normal Mode On, Idle Mode Off, Sleep Out	Yes												
Normal Mode On, Idle Mode On, Sleep Out	Yes												
Partial Mode On, Idle Mode Off, Sleep Out	Yes												
Partial Mode On, Idle Mode On, Sleep Out	Yes												
Sleep In	Yes												
Default	<table border="1"> <thead> <tr> <th>Status</th> <th>Default Value</th> </tr> </thead> <tbody> <tr> <td>Power On Sequence</td> <td>08<sub>HEX</sub></td> </tr> <tr> <td>SW Reset</td> <td>08<sub>HEX</sub></td> </tr> <tr> <td>HW Reset</td> <td>08<sub>HEX</sub></td> </tr> </tbody> </table>	Status	Default Value	Power On Sequence	08 <sub>HEX</sub>	SW Reset	08 <sub>HEX</sub>	HW Reset	08 <sub>HEX</sub>				
Status	Default Value												
Power On Sequence	08 <sub>HEX</sub>												
SW Reset	08 <sub>HEX</sub>												
HW Reset	08 <sub>HEX</sub>												
Flow Chart	<div style="display: flex; align-items: center;"> <div style="flex: 1;"> <pre> graph TD     subgraph Host         A[Read RDDPM] --&gt; B[/Dummy Read/]         B --&gt; C[/Send 2nd Parameter/]     end             </pre> </div> <div style="flex: 0.5; border: 1px dashed black; padding: 5px; margin-left: 10px;"> <p><b>Legend</b></p> <ul style="list-style-type: none"> <li><span style="border: 1px solid black; padding: 2px;">Command</span></li> <li><span style="border: 1px solid black; transform: rotate(-45deg); padding: 2px;">Parameter</span></li> <li><span style="border: 1px solid black; border-radius: 15px; padding: 2px;">Display</span></li> <li><span style="border: 1px solid black; border-radius: 15px; padding: 2px;">Action</span></li> <li><span style="border: 1px solid black; border-radius: 15px; padding: 2px;">Mode</span></li> <li><span style="border: 1px solid black; border-radius: 15px; padding: 2px;">Sequential transfer</span></li> </ul> </div> </div>												

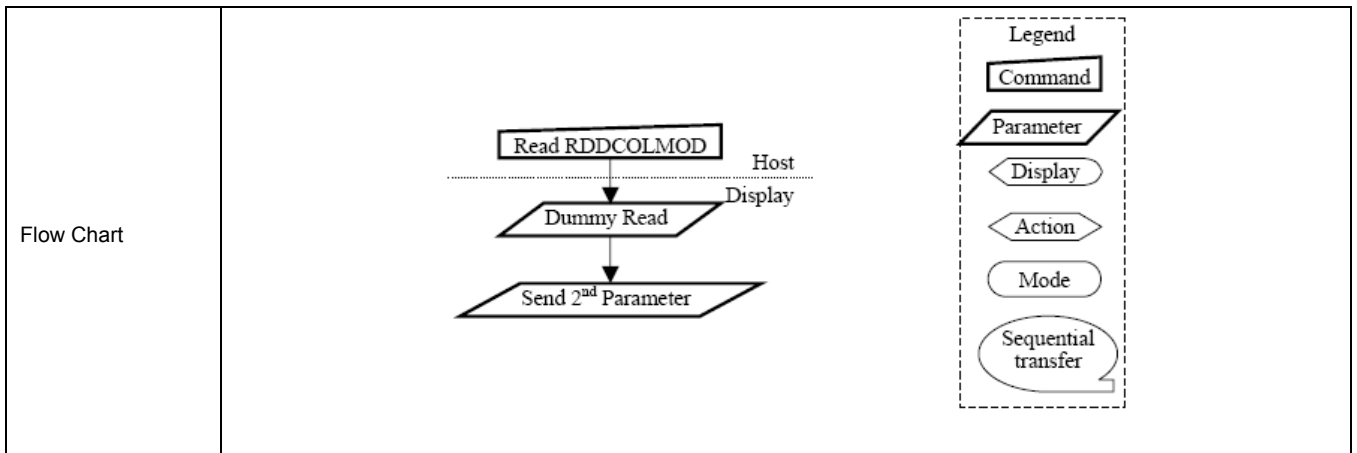
### 8.2.4. Get\_address\_mode (0Bh)

0BH	Get_address_mode																																						
	D/CX	RDX	WRX	D17-0	D7	D6	D5	D4	D3	D2	D1	D0	HEX																										
Command	0	1	↑	x	0	0	0	0	1	0	1	1	0B																										
1 <sup>st</sup> Parameter	1	↑	1	x	x	x	x	x	x	x	x	x	x																										
2 <sup>nd</sup> Parameter	1	↑	1	x	D7	D6	D5	D4	D3	0	0	0	xx																										
Description	This command indicates the current status of the display as described in the table below:																																						
	<table border="1" style="margin-left: auto; margin-right: auto;"> <thead> <tr> <th>Bit</th> <th>Description</th> <th>Comment</th> </tr> </thead> <tbody> <tr> <td>D7</td> <td>Page Address Order</td> <td></td> </tr> <tr> <td>D6</td> <td>Column Address Order</td> <td></td> </tr> <tr> <td>D5</td> <td>Page/Column Order</td> <td></td> </tr> <tr> <td>D4</td> <td>Line Address Order</td> <td></td> </tr> <tr> <td>D3</td> <td>RGB/BGR Order</td> <td></td> </tr> <tr> <td>D2</td> <td>Reserved</td> <td>Set to '0'</td> </tr> <tr> <td>D1</td> <td>Reserved</td> <td>Set to '0'</td> </tr> <tr> <td>D0</td> <td>Reserved</td> <td>Set to '0'</td> </tr> </tbody> </table> <ul style="list-style-type: none"> <li>◆ Bit D7 – Page Address Order ‘0’ = Top to Bottom ‘1’ = Bottom to Top</li> <li>◆ Bit D6 – Column Address Order ‘0’ = Left to Right ‘1’ = Right to Left</li> <li>◆ Bit D5 - Page/Column Order ‘0’ = Normal Mode ‘1’ = Reverse Mode Note: For Bits D7 to D5, also refer to Section 8.2.3 MCU to memory write/read direction.</li> <li>◆ Bit D4 – Line Address Order ‘0’ = LCD Refresh Top to Bottom ‘1’ = LCD Refresh Bottom to Top</li> <li>◆ Bit D3 – RGB/BGR Order ‘0’ = RGB ‘1’ = BGR</li> </ul>													Bit	Description	Comment	D7	Page Address Order		D6	Column Address Order		D5	Page/Column Order		D4	Line Address Order		D3	RGB/BGR Order		D2	Reserved	Set to '0'	D1	Reserved	Set to '0'	D0	Reserved
Bit	Description	Comment																																					
D7	Page Address Order																																						
D6	Column Address Order																																						
D5	Page/Column Order																																						
D4	Line Address Order																																						
D3	RGB/BGR Order																																						
D2	Reserved	Set to '0'																																					
D1	Reserved	Set to '0'																																					
D0	Reserved	Set to '0'																																					
Register Availability	<table border="1" style="margin-left: auto; margin-right: auto;"> <thead> <tr> <th>Status</th> <th>Availability</th> </tr> </thead> <tbody> <tr> <td>Normal Mode On, Idle Mode Off, Sleep Out</td> <td>Yes</td> </tr> <tr> <td>Normal Mode On, Idle Mode On, Sleep Out</td> <td>Yes</td> </tr> <tr> <td>Partial Mode On, Idle Mode Off, Sleep Out</td> <td>Yes</td> </tr> <tr> <td>Partial Mode On, Idle Mode On, Sleep Out</td> <td>Yes</td> </tr> <tr> <td>Sleep In</td> <td>Yes</td> </tr> </tbody> </table>													Status	Availability	Normal Mode On, Idle Mode Off, Sleep Out	Yes	Normal Mode On, Idle Mode On, Sleep Out	Yes	Partial Mode On, Idle Mode Off, Sleep Out	Yes	Partial Mode On, Idle Mode On, Sleep Out	Yes	Sleep In	Yes														
Status	Availability																																						
Normal Mode On, Idle Mode Off, Sleep Out	Yes																																						
Normal Mode On, Idle Mode On, Sleep Out	Yes																																						
Partial Mode On, Idle Mode Off, Sleep Out	Yes																																						
Partial Mode On, Idle Mode On, Sleep Out	Yes																																						
Sleep In	Yes																																						
Default	<table border="1" style="margin-left: auto; margin-right: auto;"> <thead> <tr> <th>Status</th> <th>Default Value</th> </tr> </thead> <tbody> <tr> <td>Power On Sequence</td> <td>00<sub>HEX</sub></td> </tr> <tr> <td>SW Reset</td> <td>No change</td> </tr> <tr> <td>HW Reset</td> <td>00<sub>HEX</sub></td> </tr> </tbody> </table>													Status	Default Value	Power On Sequence	00 <sub>HEX</sub>	SW Reset	No change	HW Reset	00 <sub>HEX</sub>																		
Status	Default Value																																						
Power On Sequence	00 <sub>HEX</sub>																																						
SW Reset	No change																																						
HW Reset	00 <sub>HEX</sub>																																						



### 8.2.5. Get\_pixel\_format (0Ch)

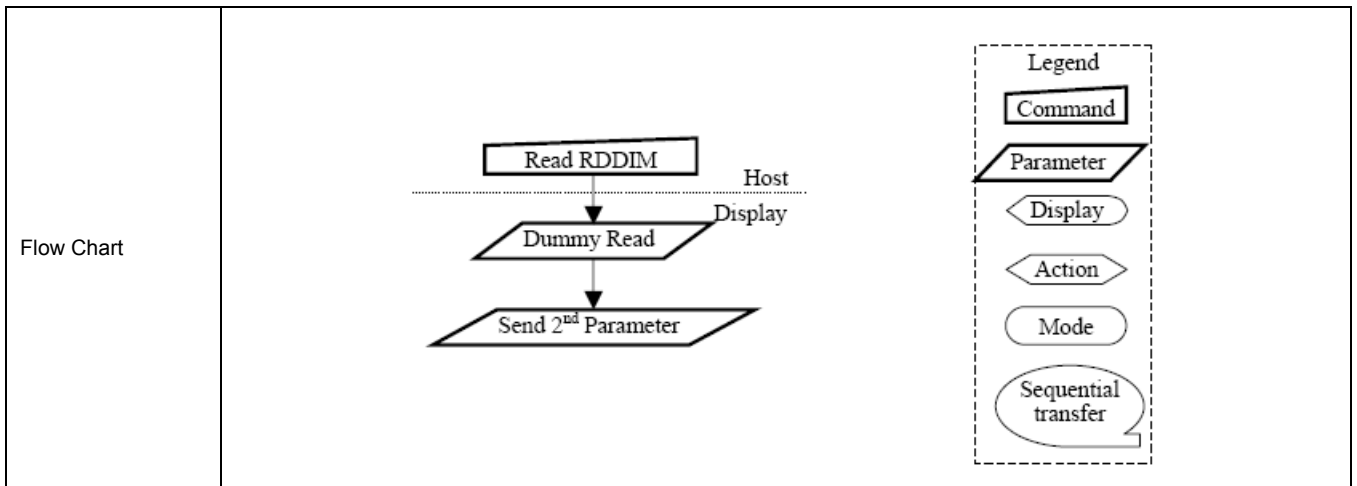
0CH	Get_pixel_format																																																											
	D/CX	RDX	WRX	D17-8	D7	D6	D5	D4	D3	D2	D1	D0	HEX																																															
Command	0	1	↑	x	0	0	0	0	1	1	0	0	0C																																															
1 <sup>st</sup> Parameter	1	↑	1	x	x	x	x	x	x	x	x	x	x																																															
2 <sup>nd</sup> Parameter	1	↑	1	x	0	D6	D5	D4	0	D2	D1	D0	66																																															
Description	This command indicates the current status of the display as described in the table below:																																																											
	<table border="1"> <thead> <tr> <th>Bit</th> <th>Description</th> </tr> </thead> <tbody> <tr> <td>D7</td> <td rowspan="4">DPI Pixel Format (RGB Interface Color Format)</td> </tr> <tr> <td>D6</td> </tr> <tr> <td>D5</td> </tr> <tr> <td>D4</td> </tr> <tr> <td>D3</td> <td rowspan="4">DBI Pixel Format (Control Interface Color Format)</td> </tr> <tr> <td>D2</td> </tr> <tr> <td>D1</td> </tr> <tr> <td>D0</td> </tr> </tbody> </table> <table border="1"> <thead> <tr> <th>Pixel Format</th> <th>D6/D2</th> <th>D5/D1</th> <th>D4/D0</th> </tr> </thead> <tbody> <tr> <td>Reserved</td> <td>0</td> <td>0</td> <td>0</td> </tr> <tr> <td>3 bits / pixel</td> <td>0</td> <td>0</td> <td>1</td> </tr> <tr> <td>Reserved</td> <td>0</td> <td>1</td> <td>0</td> </tr> <tr> <td>Reserved</td> <td>0</td> <td>1</td> <td>1</td> </tr> <tr> <td>Reserved</td> <td>1</td> <td>0</td> <td>0</td> </tr> <tr> <td>16 bits / pixel</td> <td>1</td> <td>0</td> <td>1</td> </tr> <tr> <td>18 bits / pixel</td> <td>1</td> <td>1</td> <td>0</td> </tr> <tr> <td>Reserved</td> <td>1</td> <td>1</td> <td>1</td> </tr> </tbody> </table>													Bit	Description	D7	DPI Pixel Format (RGB Interface Color Format)	D6	D5	D4	D3	DBI Pixel Format (Control Interface Color Format)	D2	D1	D0	Pixel Format	D6/D2	D5/D1	D4/D0	Reserved	0	0	0	3 bits / pixel	0	0	1	Reserved	0	1	0	Reserved	0	1	1	Reserved	1	0	0	16 bits / pixel	1	0	1	18 bits / pixel	1	1	0	Reserved	1	1
Bit	Description																																																											
D7	DPI Pixel Format (RGB Interface Color Format)																																																											
D6																																																												
D5																																																												
D4																																																												
D3	DBI Pixel Format (Control Interface Color Format)																																																											
D2																																																												
D1																																																												
D0																																																												
Pixel Format	D6/D2	D5/D1	D4/D0																																																									
Reserved	0	0	0																																																									
3 bits / pixel	0	0	1																																																									
Reserved	0	1	0																																																									
Reserved	0	1	1																																																									
Reserved	1	0	0																																																									
16 bits / pixel	1	0	1																																																									
18 bits / pixel	1	1	0																																																									
Reserved	1	1	1																																																									
Register Availability	<table border="1"> <thead> <tr> <th>Status</th> <th>Availability</th> </tr> </thead> <tbody> <tr> <td>Normal Mode On, Idle Mode Off, Sleep Out</td> <td>Yes</td> </tr> <tr> <td>Normal Mode On, Idle Mode On, Sleep Out</td> <td>Yes</td> </tr> <tr> <td>Partial Mode On, Idle Mode Off, Sleep Out</td> <td>Yes</td> </tr> <tr> <td>Partial Mode On, Idle Mode On, Sleep Out</td> <td>Yes</td> </tr> <tr> <td>Sleep In</td> <td>Yes</td> </tr> </tbody> </table>													Status	Availability	Normal Mode On, Idle Mode Off, Sleep Out	Yes	Normal Mode On, Idle Mode On, Sleep Out	Yes	Partial Mode On, Idle Mode Off, Sleep Out	Yes	Partial Mode On, Idle Mode On, Sleep Out	Yes	Sleep In	Yes																																			
	Status	Availability																																																										
Normal Mode On, Idle Mode Off, Sleep Out	Yes																																																											
Normal Mode On, Idle Mode On, Sleep Out	Yes																																																											
Partial Mode On, Idle Mode Off, Sleep Out	Yes																																																											
Partial Mode On, Idle Mode On, Sleep Out	Yes																																																											
Sleep In	Yes																																																											
Default value	<table border="1"> <thead> <tr> <th>Status</th> <th>Default Value</th> </tr> </thead> <tbody> <tr> <td>Power On Sequence</td> <td>66<sub>HEX</sub></td> </tr> <tr> <td>SW Reset</td> <td>66<sub>HEX</sub></td> </tr> <tr> <td>HW Reset</td> <td>66<sub>HEX</sub></td> </tr> </tbody> </table>													Status	Default Value	Power On Sequence	66 <sub>HEX</sub>	SW Reset	66 <sub>HEX</sub>	HW Reset	66 <sub>HEX</sub>																																							
	Status	Default Value																																																										
Power On Sequence	66 <sub>HEX</sub>																																																											
SW Reset	66 <sub>HEX</sub>																																																											
HW Reset	66 <sub>HEX</sub>																																																											



### 8.2.6. Get\_display\_mode (0Dh)

0DH	Get_display_mode																																						
	D/CX	RDX	WRX	D17-8	D7	D6	D5	D4	D3	D2	D1	D0	HEX																										
Command	0	1	↑	x	0	0	0	0	1	1	0	1	0D																										
1 <sup>st</sup> Parameter	1	↑	1	x	x	x	x	x	x	x	x	x	x																										
2 <sup>nd</sup> Parameter	1	↑	1	x	0	0	0	0	0	0	0	0	00																										
Description	The display module returns the Display Image Mode status.																																						
	<table border="1" style="margin-left: auto; margin-right: auto;"> <thead> <tr> <th>Bit</th> <th>Description</th> <th>Symbol</th> </tr> </thead> <tbody> <tr> <td>D7</td> <td>Vertical Scrolling Status</td> <td>VSSON</td> </tr> <tr> <td>D6</td> <td>Reserved</td> <td></td> </tr> <tr> <td>D5</td> <td>Inversion On/Off</td> <td>DSPINVON</td> </tr> <tr> <td>D4</td> <td>Reserved</td> <td></td> </tr> <tr> <td>D3</td> <td>Reserved</td> <td></td> </tr> <tr> <td>D2</td> <td>Gamma Curve Selection</td> <td></td> </tr> <tr> <td>D1</td> <td>Gamma Curve Selection</td> <td></td> </tr> <tr> <td>D0</td> <td>Gamma Curve Selection</td> <td></td> </tr> </tbody> </table> <p>This command indicates the current status of the display as described in the table below:</p> <ul style="list-style-type: none"> <li>◆ Bit D7 – Vertical Scrolling On/Off <ul style="list-style-type: none"> <li>'0' = Vertical Scrolling is Off.</li> <li>'1' = Vertical Scrolling is On.</li> </ul> </li> <li>◆ Bit D6 – Reserved</li> <li>◆ Bit D5 – Inversion On/Off <ul style="list-style-type: none"> <li>'0' = Inversion is Off.</li> <li>'1' = Inversion is On.</li> </ul> </li> <li>◆ Bit D4 – Reserved</li> <li>◆ Bit D3 – Reserved</li> <li>◆ Bits D2, D1, D0 – Gamma Curve Selection <ul style="list-style-type: none"> <li>These bits are not applicable for this project, so they are set to '000'</li> </ul> </li> </ul>													Bit	Description	Symbol	D7	Vertical Scrolling Status	VSSON	D6	Reserved		D5	Inversion On/Off	DSPINVON	D4	Reserved		D3	Reserved		D2	Gamma Curve Selection		D1	Gamma Curve Selection		D0	Gamma Curve Selection
Bit	Description	Symbol																																					
D7	Vertical Scrolling Status	VSSON																																					
D6	Reserved																																						
D5	Inversion On/Off	DSPINVON																																					
D4	Reserved																																						
D3	Reserved																																						
D2	Gamma Curve Selection																																						
D1	Gamma Curve Selection																																						
D0	Gamma Curve Selection																																						
Register Availability	<table border="1" style="margin-left: auto; margin-right: auto;"> <thead> <tr> <th>Status</th> <th>Availability</th> </tr> </thead> <tbody> <tr> <td>Normal Mode On, Idle Mode Off, Sleep Out</td> <td>Yes</td> </tr> <tr> <td>Normal Mode On, Idle Mode On, Sleep Out</td> <td>Yes</td> </tr> <tr> <td>Partial Mode On, Idle Mode Off, Sleep Out</td> <td>Yes</td> </tr> <tr> <td>Partial Mode On, Idle Mode On, Sleep Out</td> <td>Yes</td> </tr> <tr> <td>Sleep In</td> <td>Yes</td> </tr> </tbody> </table>													Status	Availability	Normal Mode On, Idle Mode Off, Sleep Out	Yes	Normal Mode On, Idle Mode On, Sleep Out	Yes	Partial Mode On, Idle Mode Off, Sleep Out	Yes	Partial Mode On, Idle Mode On, Sleep Out	Yes	Sleep In	Yes														
Status	Availability																																						
Normal Mode On, Idle Mode Off, Sleep Out	Yes																																						
Normal Mode On, Idle Mode On, Sleep Out	Yes																																						
Partial Mode On, Idle Mode Off, Sleep Out	Yes																																						
Partial Mode On, Idle Mode On, Sleep Out	Yes																																						
Sleep In	Yes																																						
Default Value	<table border="1" style="margin-left: auto; margin-right: auto;"> <thead> <tr> <th>Status</th> <th>Default Value</th> </tr> </thead> <tbody> <tr> <td>Power On Sequence</td> <td>00<sub>HEX</sub></td> </tr> <tr> <td>SW Reset</td> <td>00<sub>HEX</sub></td> </tr> <tr> <td>HW Reset</td> <td>00<sub>HEX</sub></td> </tr> </tbody> </table>													Status	Default Value	Power On Sequence	00 <sub>HEX</sub>	SW Reset	00 <sub>HEX</sub>	HW Reset	00 <sub>HEX</sub>																		
Status	Default Value																																						
Power On Sequence	00 <sub>HEX</sub>																																						
SW Reset	00 <sub>HEX</sub>																																						
HW Reset	00 <sub>HEX</sub>																																						





### 8.2.7. Get\_signal\_mode (0Eh)

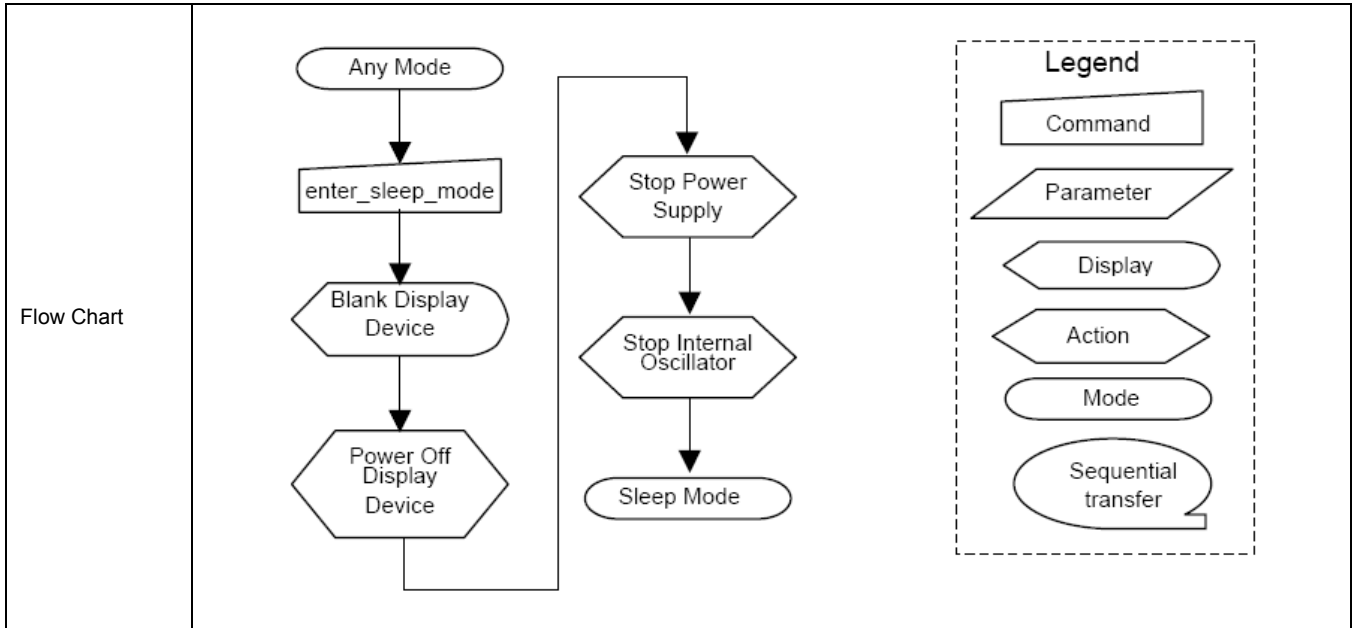
0EH	Get_signal_mode																																						
	D/CX	RDX	WRX	D17-8	D7	D6	D5	D4	D3	D2	D1	D0	HEX																										
Command	0	1	↑	x	0	0	0	0	1	1	1	0	0E																										
1 <sup>st</sup> Parameter	1	↑	1	x	x	x	x	x	x	x	x	x	x																										
2 <sup>nd</sup> Parameter	1	↑	1	x	D7	D6	0	0	0	0	0	0	00																										
Description	The display module returns the Display Signal Mode.																																						
	<table border="1"> <thead> <tr> <th>Bit</th> <th>Description</th> <th>Symbol</th> </tr> </thead> <tbody> <tr> <td>D7</td> <td>Tearing Effect Line On/Off</td> <td>TEON</td> </tr> <tr> <td>D6</td> <td>Tearing Effect Line Output Mode</td> <td>TELOM</td> </tr> <tr> <td>D5</td> <td>Reserved</td> <td></td> </tr> <tr> <td>D4</td> <td>Reserved</td> <td></td> </tr> <tr> <td>D3</td> <td>Reserved</td> <td></td> </tr> <tr> <td>D2</td> <td>Reserved</td> <td></td> </tr> <tr> <td>D1</td> <td>Reserved</td> <td></td> </tr> <tr> <td>D0</td> <td>Reserved</td> <td></td> </tr> </tbody> </table> <p>This command indicates the current status of the display as described in the table below:</p> <ul style="list-style-type: none"> <li>◆ Bit D7 – Tearing Effect Line On/Off '0' = Tearing Effect Line Off. '1' = Tearing Effect On.</li> <li>◆ Bit D6 – Tearing Effect Line Output Mode, see section 8.3 for mode definitions. '0' = Mode 1. '1' = Mode 2.</li> <li>◆ Bit D[5:0] – Reserved</li> </ul>													Bit	Description	Symbol	D7	Tearing Effect Line On/Off	TEON	D6	Tearing Effect Line Output Mode	TELOM	D5	Reserved		D4	Reserved		D3	Reserved		D2	Reserved		D1	Reserved		D0	Reserved
Bit	Description	Symbol																																					
D7	Tearing Effect Line On/Off	TEON																																					
D6	Tearing Effect Line Output Mode	TELOM																																					
D5	Reserved																																						
D4	Reserved																																						
D3	Reserved																																						
D2	Reserved																																						
D1	Reserved																																						
D0	Reserved																																						
Register Availability	<table border="1"> <thead> <tr> <th>Status</th> <th>Availability</th> </tr> </thead> <tbody> <tr> <td>Normal Mode On, Idle Mode Off, Sleep Out</td> <td>Yes</td> </tr> <tr> <td>Normal Mode On, Idle Mode On, Sleep Out</td> <td>Yes</td> </tr> <tr> <td>Partial Mode On, Idle Mode Off, Sleep Out</td> <td>Yes</td> </tr> <tr> <td>Partial Mode On, Idle Mode On, Sleep Out</td> <td>Yes</td> </tr> <tr> <td>Sleep In</td> <td>Yes</td> </tr> </tbody> </table>													Status	Availability	Normal Mode On, Idle Mode Off, Sleep Out	Yes	Normal Mode On, Idle Mode On, Sleep Out	Yes	Partial Mode On, Idle Mode Off, Sleep Out	Yes	Partial Mode On, Idle Mode On, Sleep Out	Yes	Sleep In	Yes														
Status	Availability																																						
Normal Mode On, Idle Mode Off, Sleep Out	Yes																																						
Normal Mode On, Idle Mode On, Sleep Out	Yes																																						
Partial Mode On, Idle Mode Off, Sleep Out	Yes																																						
Partial Mode On, Idle Mode On, Sleep Out	Yes																																						
Sleep In	Yes																																						
Register Availability	<table border="1"> <thead> <tr> <th>Status</th> <th>Default Value</th> </tr> </thead> <tbody> <tr> <td>Power On Sequence</td> <td>00<sub>HEX</sub></td> </tr> <tr> <td>SW Reset</td> <td>00<sub>HEX</sub></td> </tr> <tr> <td>HW Reset</td> <td>00<sub>HEX</sub></td> </tr> </tbody> </table>													Status	Default Value	Power On Sequence	00 <sub>HEX</sub>	SW Reset	00 <sub>HEX</sub>	HW Reset	00 <sub>HEX</sub>																		
Status	Default Value																																						
Power On Sequence	00 <sub>HEX</sub>																																						
SW Reset	00 <sub>HEX</sub>																																						
HW Reset	00 <sub>HEX</sub>																																						
Flow Chart	<pre> graph TD     Host[Host] --&gt; Read[Read RDDIM]     Read --&gt; Dummy[/Dummy Read/]     Dummy --&gt; Send[/Send 2nd Parameter/]     style Read fill:#fff,stroke:#000     style Dummy fill:#fff,stroke:#000,stroke-dasharray: 5 5     style Send fill:#fff,stroke:#000,stroke-dasharray: 5 5     </pre> <p>Legend:</p> <ul style="list-style-type: none"> <li>Command: [ ]</li> <li>Parameter: [ ]</li> <li>Display: [ ]</li> <li>Action: [ ]</li> <li>Mode: [ ]</li> <li>Sequential transfer: [ ]</li> </ul>																																						

### 8.2.8. Get\_diagnostic\_result (0Fh)

0FH	Get_diagnostic_result																																						
	D/CX	RDX	WRX	D17-8	D7	D6	D5	D4	D3	D2	D1	D0	HEX																										
Command	0	1	↑	x	0	0	0	0	1	1	1	1	0F																										
1 <sup>st</sup> Parameter	1	↑	1	x	x	x	x	x	x	x	x	x	x																										
2 <sup>nd</sup> Parameter	1	↑	1	x	D7	D6	0	0	0	0	0	0	00																										
Description	The display module returns the self-diagnostic results following a Sleep Out command.																																						
	<table border="1"> <thead> <tr> <th>Bit</th> <th>Description</th> <th>Symbol</th> </tr> </thead> <tbody> <tr> <td>D7</td> <td>Register Loading Detection</td> <td>SDR</td> </tr> <tr> <td>D6</td> <td>Functionality Detection</td> <td>FUNCD</td> </tr> <tr> <td>D5</td> <td>Chip attachment Detection</td> <td>Set '0'</td> </tr> <tr> <td>D4</td> <td>Display Glass Break Detection</td> <td>Set '0'</td> </tr> <tr> <td>D3</td> <td>Reserved</td> <td>Set '0'</td> </tr> <tr> <td>D2</td> <td>Reserved</td> <td>Set '0'</td> </tr> <tr> <td>D1</td> <td>Reserved</td> <td>Set '0'</td> </tr> <tr> <td>D0</td> <td>Reserved</td> <td>Set '0'</td> </tr> </tbody> </table> <p>Bit D7 – Register Loading Detection</p> <p>Bit D6 – Functionality Detection</p> <p>Bit D5 – Chip Attachment Detection</p> <p>Set to '0' if feature unimplemented.</p> <p>Bit D4 – Display Glass Break Detection</p> <p>Set to '0' if feature unimplemented.</p> <p>Bits D[3:0] – Reserved</p> <p>Set to '0'.</p>													Bit	Description	Symbol	D7	Register Loading Detection	SDR	D6	Functionality Detection	FUNCD	D5	Chip attachment Detection	Set '0'	D4	Display Glass Break Detection	Set '0'	D3	Reserved	Set '0'	D2	Reserved	Set '0'	D1	Reserved	Set '0'	D0	Reserved
Bit	Description	Symbol																																					
D7	Register Loading Detection	SDR																																					
D6	Functionality Detection	FUNCD																																					
D5	Chip attachment Detection	Set '0'																																					
D4	Display Glass Break Detection	Set '0'																																					
D3	Reserved	Set '0'																																					
D2	Reserved	Set '0'																																					
D1	Reserved	Set '0'																																					
D0	Reserved	Set '0'																																					
Register Availability	<table border="1"> <thead> <tr> <th>Status</th> <th>Availability</th> </tr> </thead> <tbody> <tr> <td>Normal Mode On, Idle Mode Off, Sleep Out</td> <td>Yes</td> </tr> <tr> <td>Normal Mode On, Idle Mode On, Sleep Out</td> <td>Yes</td> </tr> <tr> <td>Partial Mode On, Idle Mode Off, Sleep Out</td> <td>Yes</td> </tr> <tr> <td>Partial Mode On, Idle Mode On, Sleep Out</td> <td>Yes</td> </tr> <tr> <td>Sleep In</td> <td>Yes</td> </tr> </tbody> </table>													Status	Availability	Normal Mode On, Idle Mode Off, Sleep Out	Yes	Normal Mode On, Idle Mode On, Sleep Out	Yes	Partial Mode On, Idle Mode Off, Sleep Out	Yes	Partial Mode On, Idle Mode On, Sleep Out	Yes	Sleep In	Yes														
Status	Availability																																						
Normal Mode On, Idle Mode Off, Sleep Out	Yes																																						
Normal Mode On, Idle Mode On, Sleep Out	Yes																																						
Partial Mode On, Idle Mode Off, Sleep Out	Yes																																						
Partial Mode On, Idle Mode On, Sleep Out	Yes																																						
Sleep In	Yes																																						
Register Availability	<table border="1"> <thead> <tr> <th>Status</th> <th>Default Value</th> </tr> </thead> <tbody> <tr> <td>Power On Sequence</td> <td>00<sub>HEX</sub></td> </tr> <tr> <td>SW Reset</td> <td>00<sub>HEX</sub></td> </tr> <tr> <td>HW Reset</td> <td>00<sub>HEX</sub></td> </tr> </tbody> </table>													Status	Default Value	Power On Sequence	00 <sub>HEX</sub>	SW Reset	00 <sub>HEX</sub>	HW Reset	00 <sub>HEX</sub>																		
Status	Default Value																																						
Power On Sequence	00 <sub>HEX</sub>																																						
SW Reset	00 <sub>HEX</sub>																																						
HW Reset	00 <sub>HEX</sub>																																						
Flow Chart	<pre> graph TD     subgraph Host         A[Read RDDIM]     end     subgraph Display         B[/Dummy Read/]         C[/Send 2nd Parameter/]     end     A --&gt; B     B --&gt; C     </pre> <p>Legend</p> <ul style="list-style-type: none"> <li>Command: Rectangle</li> <li>Parameter: Parallelogram</li> <li>Display: Trapezoid</li> <li>Action: Diamond</li> <li>Mode: Oval</li> <li>Sequential transfer: Curved arrow</li> </ul>																																						

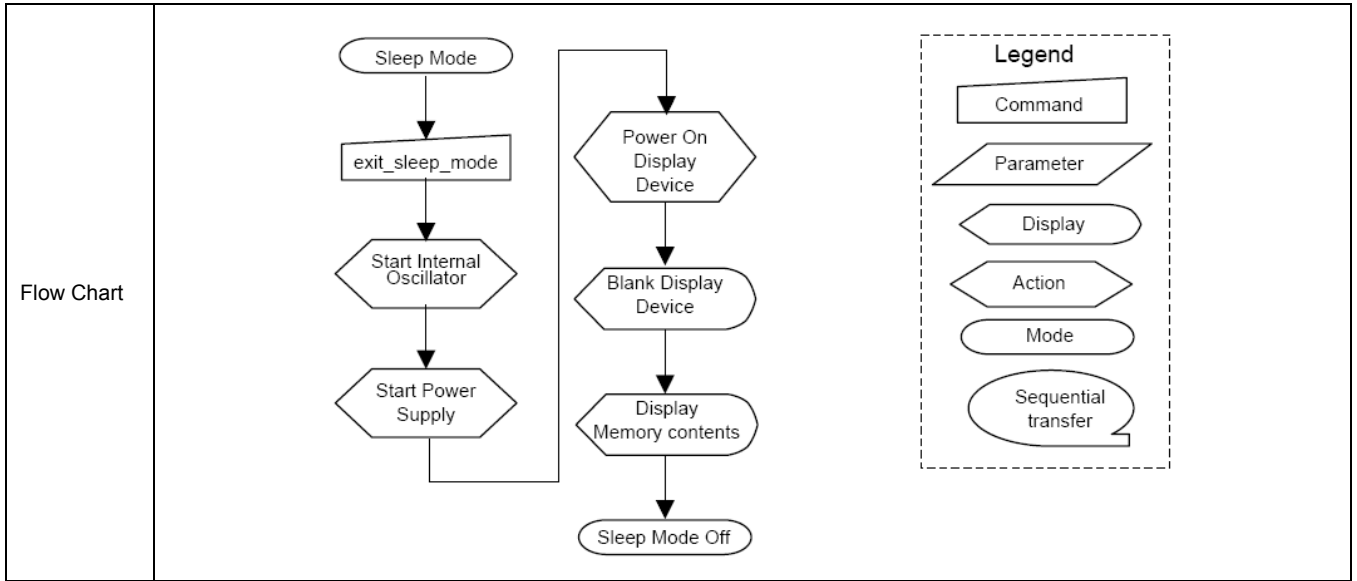
### 8.2.9. Enter\_sleep\_mode (10h)

10H	Enter_sleep_mode																								
	D/CX	RDX	WRX	D17-8	D7	D6	D5	D4	D3	D2	D1	D0	HEX												
Command	0	1	↑	x	0	0	0	1	0	0	0	0	10												
Parameter	No Parameter																								
Description	<p>This command causes the display module to enter the Sleep mode.</p> <p>This command causes the LCD module to enter the Sleep mode. In this mode, the DC/DC converter, internal oscillator and panel scanning stop.</p> <p>DBI or DSI Command Mode remains operational and the frame memory maintains its contents. The host processor continues to send PCLK, HS and VS information to Type 2 and Type 3 display modules for two frames after this command is sent when the display module is in Normal mode.</p>																								
Restriction	<p>This command has no effect when the display module is already in Sleep mode.</p> <p>The host processor must wait five milliseconds before sending any new commands to a display module following this command to allow time for the supply voltages and clock circuits to stabilize.</p> <p>The host processor must wait 120 milliseconds after sending an exit_sleep_mode command before sending an enter_sleep_mode command.</p>																								
Register Availability	<table border="1"> <thead> <tr> <th>Status</th> <th>Availability</th> </tr> </thead> <tbody> <tr> <td>Normal Mode On, Idle Mode Off, Sleep Out</td> <td>Yes</td> </tr> <tr> <td>Normal Mode On, Idle Mode On, Sleep Out</td> <td>Yes</td> </tr> <tr> <td>Partial Mode On, Idle Mode Off, Sleep Out</td> <td>Yes</td> </tr> <tr> <td>Partial Mode On, Idle Mode On, Sleep Out</td> <td>Yes</td> </tr> <tr> <td>Sleep In</td> <td>Yes</td> </tr> </tbody> </table>													Status	Availability	Normal Mode On, Idle Mode Off, Sleep Out	Yes	Normal Mode On, Idle Mode On, Sleep Out	Yes	Partial Mode On, Idle Mode Off, Sleep Out	Yes	Partial Mode On, Idle Mode On, Sleep Out	Yes	Sleep In	Yes
Status	Availability																								
Normal Mode On, Idle Mode Off, Sleep Out	Yes																								
Normal Mode On, Idle Mode On, Sleep Out	Yes																								
Partial Mode On, Idle Mode Off, Sleep Out	Yes																								
Partial Mode On, Idle Mode On, Sleep Out	Yes																								
Sleep In	Yes																								
Default	<table border="1"> <thead> <tr> <th>Status</th> <th>Default Value</th> </tr> </thead> <tbody> <tr> <td>Power On Sequence</td> <td>Sleep In Mode</td> </tr> <tr> <td>SW Reset</td> <td>Sleep In Mode</td> </tr> <tr> <td>HW Reset</td> <td>Sleep In Mode</td> </tr> </tbody> </table>													Status	Default Value	Power On Sequence	Sleep In Mode	SW Reset	Sleep In Mode	HW Reset	Sleep In Mode				
Status	Default Value																								
Power On Sequence	Sleep In Mode																								
SW Reset	Sleep In Mode																								
HW Reset	Sleep In Mode																								



**8.2.10. Exit\_sleep\_mode (11h)**

11H	Exit_sleep_mode																								
	D/CX	RDX	WRX	D17-8	D7	D6	D5	D4	D3	D2	D1	D0	HEX												
Command	0	1	↑	x	0	0	0	1	0	0	0	1	11												
Parameter	No Parameter																								
Description	This command causes the display module to exit Sleep mode. All blocks inside the display module are enabled. The host processor sends PCLK, HS and VS information to Type 2 and Type 3 display modules two frames before this command is sent when the display module is in Normal Mode.																								
Restriction	<p>This command shall not cause any visible effect on the display device when the display module is not in Sleep mode.</p> <p>The host processor must wait five milliseconds after sending this command before sending another command. This delay allows the supply voltages and clock circuits to stabilize.</p> <p>The host processor must wait 120 milliseconds after sending an exit_sleep_mode command before sending an enter_sleep_mode command.</p> <p>The display module loads the display module's default values to the registers when exiting the Sleep mode.</p> <p>There shall not be any abnormal visual effect on the display device when loading the registers if the factory default and register values are the same or when the display module is not in Sleep mode.</p> <p>The display module runs the self-diagnostic functions after this command is received. See section 5.3 for a description of the self-diagnostic functions.</p>																								
Register Availability	<table border="1"> <thead> <tr> <th>Status</th> <th>Availability</th> </tr> </thead> <tbody> <tr> <td>Normal Mode On, Idle Mode Off, Sleep Out</td> <td>Yes</td> </tr> <tr> <td>Normal Mode On, Idle Mode On, Sleep Out</td> <td>Yes</td> </tr> <tr> <td>Partial Mode On, Idle Mode Off, Sleep Out</td> <td>Yes</td> </tr> <tr> <td>Partial Mode On, Idle Mode On, Sleep Out</td> <td>Yes</td> </tr> <tr> <td>Sleep In</td> <td>Yes</td> </tr> </tbody> </table>													Status	Availability	Normal Mode On, Idle Mode Off, Sleep Out	Yes	Normal Mode On, Idle Mode On, Sleep Out	Yes	Partial Mode On, Idle Mode Off, Sleep Out	Yes	Partial Mode On, Idle Mode On, Sleep Out	Yes	Sleep In	Yes
Status	Availability																								
Normal Mode On, Idle Mode Off, Sleep Out	Yes																								
Normal Mode On, Idle Mode On, Sleep Out	Yes																								
Partial Mode On, Idle Mode Off, Sleep Out	Yes																								
Partial Mode On, Idle Mode On, Sleep Out	Yes																								
Sleep In	Yes																								
Default	<table border="1"> <thead> <tr> <th>Status</th> <th>Default Value</th> </tr> </thead> <tbody> <tr> <td>Power On Sequence</td> <td>Sleep In Mode</td> </tr> <tr> <td>SW Reset</td> <td>Sleep In Mode</td> </tr> <tr> <td>HW Reset</td> <td>Sleep In Mode</td> </tr> </tbody> </table>													Status	Default Value	Power On Sequence	Sleep In Mode	SW Reset	Sleep In Mode	HW Reset	Sleep In Mode				
Status	Default Value																								
Power On Sequence	Sleep In Mode																								
SW Reset	Sleep In Mode																								
HW Reset	Sleep In Mode																								



### 8.2.11. Enter\_Partial\_mode (12h)

12H	Enter_Partial_mode																								
	D/CX	RDX	WRX	D17-8	D7	D6	D5	D4	D3	D2	D1	D0	HEX												
Command	0	1	↑	x	0	0	0	1	0	0	1	0	12												
Parameter	No Parameter																								
Description	<p>This command causes the display module to enter the Partial Display Mode. The Partial Display Mode window is described by the set_partial_area (30h) command.</p> <p>To leave Partial Display Mode, the enter_normal_mode (13h) command should be written.</p> <p>The host processor continues to send PCLK, HS and VS information to Type 2 display modules for two frames after this command is sent when the display module is in Normal Display Mode.</p>																								
Restriction	This command has no effect when Partial Display Mode is already active.																								
Register Availability	<table border="1"> <thead> <tr> <th>Status</th> <th>Availability</th> </tr> </thead> <tbody> <tr> <td>Normal Mode On, Idle Mode Off, Sleep Out</td> <td>Yes</td> </tr> <tr> <td>Normal Mode On, Idle Mode On, Sleep Out</td> <td>Yes</td> </tr> <tr> <td>Partial Mode On, Idle Mode Off, Sleep Out</td> <td>Yes</td> </tr> <tr> <td>Partial Mode On, Idle Mode On, Sleep Out</td> <td>Yes</td> </tr> <tr> <td>Sleep In</td> <td>Yes</td> </tr> </tbody> </table>													Status	Availability	Normal Mode On, Idle Mode Off, Sleep Out	Yes	Normal Mode On, Idle Mode On, Sleep Out	Yes	Partial Mode On, Idle Mode Off, Sleep Out	Yes	Partial Mode On, Idle Mode On, Sleep Out	Yes	Sleep In	Yes
Status	Availability																								
Normal Mode On, Idle Mode Off, Sleep Out	Yes																								
Normal Mode On, Idle Mode On, Sleep Out	Yes																								
Partial Mode On, Idle Mode Off, Sleep Out	Yes																								
Partial Mode On, Idle Mode On, Sleep Out	Yes																								
Sleep In	Yes																								
Default	<table border="1"> <thead> <tr> <th>Status</th> <th>Default Value</th> </tr> </thead> <tbody> <tr> <td>Power On Sequence</td> <td>Normal Display Mode On</td> </tr> <tr> <td>SW Reset</td> <td>Normal Display Mode On</td> </tr> <tr> <td>HW Reset</td> <td>Normal Display Mode On</td> </tr> </tbody> </table>													Status	Default Value	Power On Sequence	Normal Display Mode On	SW Reset	Normal Display Mode On	HW Reset	Normal Display Mode On				
Status	Default Value																								
Power On Sequence	Normal Display Mode On																								
SW Reset	Normal Display Mode On																								
HW Reset	Normal Display Mode On																								
Flow Chart	Refer to Partial Area (30h)																								



### 8.2.12. Enter\_normal\_mode (13h)

13H	Enter_normal_mode																								
	D/CX	RDX	WRX	D17-8	D7	D6	D5	D4	D3	D2	D1	D0	HEX												
Command	0	1	↑	x	0	0	0	1	0	0	1	1	13												
Parameter	No Parameter																								
Description	<p>This command causes the display module to enter the Normal mode.</p> <p>Normal Mode is defined as Partial Display mode and Scroll mode are off.</p> <p>The host processor sends PCLK, HS and VS information to Type 2 display modules two frames before this command is sent when the display module is in Partial Display Mode.</p>																								
Restriction	This command has no effect when Normal Display mode is already active.																								
Register Availability	<table border="1"> <thead> <tr> <th>Status</th> <th>Availability</th> </tr> </thead> <tbody> <tr> <td>Normal Mode On, Idle Mode Off, Sleep Out</td> <td>Yes</td> </tr> <tr> <td>Normal Mode On, Idle Mode On, Sleep Out</td> <td>Yes</td> </tr> <tr> <td>Partial Mode On, Idle Mode Off, Sleep Out</td> <td>Yes</td> </tr> <tr> <td>Partial Mode On, Idle Mode On, Sleep Out</td> <td>Yes</td> </tr> <tr> <td>Sleep In</td> <td>Yes</td> </tr> </tbody> </table>													Status	Availability	Normal Mode On, Idle Mode Off, Sleep Out	Yes	Normal Mode On, Idle Mode On, Sleep Out	Yes	Partial Mode On, Idle Mode Off, Sleep Out	Yes	Partial Mode On, Idle Mode On, Sleep Out	Yes	Sleep In	Yes
Status	Availability																								
Normal Mode On, Idle Mode Off, Sleep Out	Yes																								
Normal Mode On, Idle Mode On, Sleep Out	Yes																								
Partial Mode On, Idle Mode Off, Sleep Out	Yes																								
Partial Mode On, Idle Mode On, Sleep Out	Yes																								
Sleep In	Yes																								
Default	<table border="1"> <thead> <tr> <th>Status</th> <th>Default Value</th> </tr> </thead> <tbody> <tr> <td>Power On Sequence</td> <td>Normal Display Mode On</td> </tr> <tr> <td>SW Reset</td> <td>Normal Display Mode On</td> </tr> <tr> <td>HW Reset</td> <td>Normal Display Mode On</td> </tr> </tbody> </table>													Status	Default Value	Power On Sequence	Normal Display Mode On	SW Reset	Normal Display Mode On	HW Reset	Normal Display Mode On				
Status	Default Value																								
Power On Sequence	Normal Display Mode On																								
SW Reset	Normal Display Mode On																								
HW Reset	Normal Display Mode On																								
Flow Chart	Refer to the description of set_partial_area(30h) and set_scroll_area(33h)																								

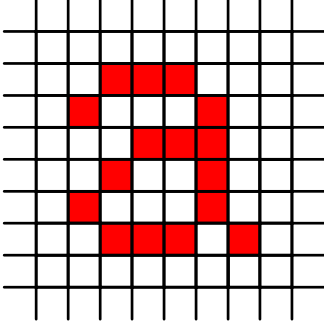
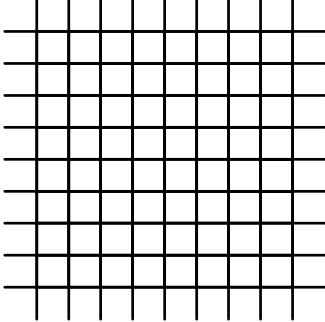
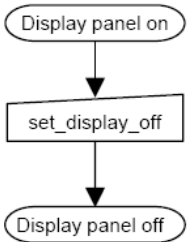
**8.2.13. Exit\_invert\_mode (20h)**

20H	Exit_invert_mode																								
	D/CX	RDX	WRX	D17-8	D7	D6	D5	D4	D3	D2	D1	D0	HEX												
Command	0	1	↑	x	0	0	1	0	0	0	0	0	20												
Parameter	No Parameter																								
Description	<p>This command causes the display module to stop inverting the image data on the display device. The frame memory contents remain unchanged. No status bits are changed.</p> <div style="display: flex; justify-content: space-around; align-items: center;"> <div style="text-align: center;"> <p>Memory</p> </div> <div style="font-size: 2em; margin: 0 20px;">→</div> <div style="text-align: center;"> <p>Display Panel</p> </div> </div>																								
Restriction	This command has no effect when the display module is not inverting the display image.																								
Register Availability	<table border="1" style="width: 100%; border-collapse: collapse;"> <thead> <tr> <th>Status</th> <th>Availability</th> </tr> </thead> <tbody> <tr> <td>Normal Mode On, Idle Mode Off, Sleep Out</td> <td>Yes</td> </tr> <tr> <td>Normal Mode On, Idle Mode On, Sleep Out</td> <td>Yes</td> </tr> <tr> <td>Partial Mode On, Idle Mode Off, Sleep Out</td> <td>Yes</td> </tr> <tr> <td>Partial Mode On, Idle Mode On, Sleep Out</td> <td>Yes</td> </tr> <tr> <td>Sleep In</td> <td>Yes</td> </tr> </tbody> </table>													Status	Availability	Normal Mode On, Idle Mode Off, Sleep Out	Yes	Normal Mode On, Idle Mode On, Sleep Out	Yes	Partial Mode On, Idle Mode Off, Sleep Out	Yes	Partial Mode On, Idle Mode On, Sleep Out	Yes	Sleep In	Yes
Status	Availability																								
Normal Mode On, Idle Mode Off, Sleep Out	Yes																								
Normal Mode On, Idle Mode On, Sleep Out	Yes																								
Partial Mode On, Idle Mode Off, Sleep Out	Yes																								
Partial Mode On, Idle Mode On, Sleep Out	Yes																								
Sleep In	Yes																								
Default	<table border="1" style="width: 100%; border-collapse: collapse;"> <thead> <tr> <th>Status</th> <th>Default Value</th> </tr> </thead> <tbody> <tr> <td>Power On Sequence</td> <td>Display Inversion Off</td> </tr> <tr> <td>SW Reset</td> <td>Display Inversion Off</td> </tr> <tr> <td>HW Reset</td> <td>Display Inversion Off</td> </tr> </tbody> </table>													Status	Default Value	Power On Sequence	Display Inversion Off	SW Reset	Display Inversion Off	HW Reset	Display Inversion Off				
Status	Default Value																								
Power On Sequence	Display Inversion Off																								
SW Reset	Display Inversion Off																								
HW Reset	Display Inversion Off																								
Flow Chart	<div style="display: flex; align-items: center;"> <div style="flex: 1;"> <pre> graph TD     A([Invert mode on]) --&gt; B[exit_invert_mode]     B --&gt; C([Invert mode off])             </pre> </div> <div style="flex: 1; border: 1px dashed black; padding: 5px;"> <p><b>Legend</b></p> <ul style="list-style-type: none"> <li>Command: [ ]</li> <li>Parameter: /&gt;</li> <li>Display: &lt;/&gt;</li> <li>Action: &lt;/&gt;</li> <li>Mode: ( )</li> <li>Sequential transfer: ( )</li> </ul> </div> </div>																								

**8.2.14. Enter\_invert\_mode (21h)**

21H	Enter_invert_mode																								
	D/CX	RDX	WRX	D17-8	D7	D6	D5	D4	D3	D2	D1	D0	HEX												
Command	0	1	↑	x	0	0	1	0	0	0	0	1	21												
Parameter	No Parameter																								
Description	<p>This command causes the display module to invert the image data only on the display device. The frame memory contents remain unchanged. No status bits are changed.</p> <div style="display: flex; justify-content: space-around; align-items: center;"> <div style="text-align: center;"> <p>Memory</p> </div> <div style="font-size: 2em; margin: 0 20px;">→</div> <div style="text-align: center;"> <p>Display Panel</p> </div> </div>																								
Restriction	This command has no effect when module is already in inversion on mode.																								
Register Availability	<table border="1" style="width: 100%; border-collapse: collapse;"> <thead> <tr> <th style="width: 50%;">Status</th> <th style="width: 50%;">Availability</th> </tr> </thead> <tbody> <tr> <td>Normal Mode On, Idle Mode Off, Sleep Out</td> <td>Yes</td> </tr> <tr> <td>Normal Mode On, Idle Mode On, Sleep Out</td> <td>Yes</td> </tr> <tr> <td>Partial Mode On, Idle Mode Off, Sleep Out</td> <td>Yes</td> </tr> <tr> <td>Partial Mode On, Idle Mode On, Sleep Out</td> <td>Yes</td> </tr> <tr> <td>Sleep In</td> <td>Yes</td> </tr> </tbody> </table>													Status	Availability	Normal Mode On, Idle Mode Off, Sleep Out	Yes	Normal Mode On, Idle Mode On, Sleep Out	Yes	Partial Mode On, Idle Mode Off, Sleep Out	Yes	Partial Mode On, Idle Mode On, Sleep Out	Yes	Sleep In	Yes
Status	Availability																								
Normal Mode On, Idle Mode Off, Sleep Out	Yes																								
Normal Mode On, Idle Mode On, Sleep Out	Yes																								
Partial Mode On, Idle Mode Off, Sleep Out	Yes																								
Partial Mode On, Idle Mode On, Sleep Out	Yes																								
Sleep In	Yes																								
Default	<table border="1" style="width: 100%; border-collapse: collapse;"> <thead> <tr> <th style="width: 50%;">Status</th> <th style="width: 50%;">Default Value</th> </tr> </thead> <tbody> <tr> <td>Power On Sequence</td> <td>Display Inversion Off</td> </tr> <tr> <td>SW Reset</td> <td>Display Inversion Off</td> </tr> <tr> <td>HW Reset</td> <td>Display Inversion Off</td> </tr> </tbody> </table>													Status	Default Value	Power On Sequence	Display Inversion Off	SW Reset	Display Inversion Off	HW Reset	Display Inversion Off				
Status	Default Value																								
Power On Sequence	Display Inversion Off																								
SW Reset	Display Inversion Off																								
HW Reset	Display Inversion Off																								
Flow Chart	<div style="display: flex; align-items: center;"> <div style="flex: 1;"> <pre> graph TD     A([Invert mode off]) --&gt; B[enter_invert_mode]     B --&gt; C([Invert mode on])             </pre> </div> <div style="flex: 1; border: 1px dashed black; padding: 5px;"> <p><b>Legend</b></p> <ul style="list-style-type: none"> <li>Command: [ ]</li> <li>Parameter: /&gt;</li> <li>Display: &gt;</li> <li>Action: &gt;</li> <li>Mode: &gt;</li> <li>Sequential transfer: &gt;</li> </ul> </div> </div>																								

**8.2.15. Set\_display\_off (28h)**

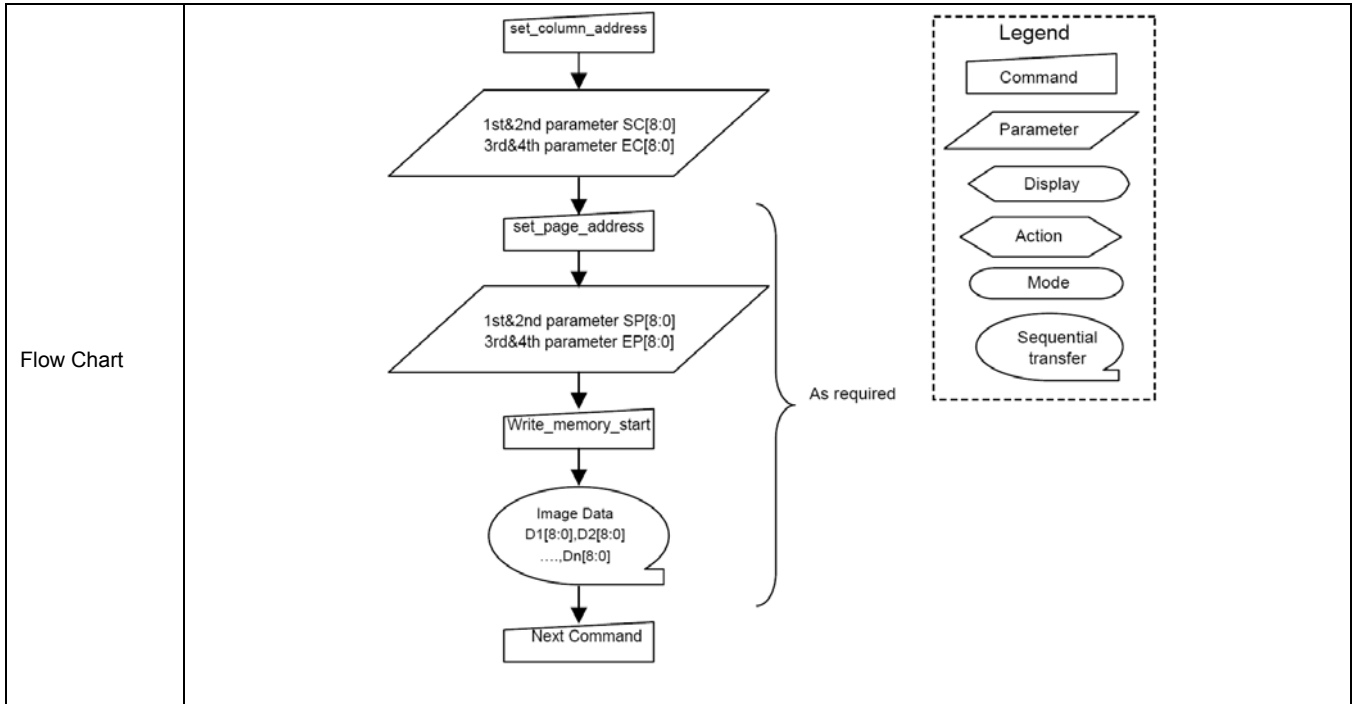
28H	Set_display_off																								
	D/CX	RDX	WRX	D17-8	D7	D6	D5	D4	D3	D2	D1	D0	HEX												
Command	0	1	↑	x	0	0	1	0	1	0	0	0	28												
Parameter	No Parameter																								
Description	<p>This command causes the display module to stop displaying the image data on the display device. The frame memory contents remain unchanged. No status bits are changed.</p> <div style="display: flex; justify-content: space-around; align-items: center;"> <div style="text-align: center;"> <p>Memory</p>  </div> <div style="font-size: 2em; margin: 0 20px;">→</div> <div style="text-align: center;"> <p>Display Panel</p>  </div> </div>																								
Restriction	This command has no effect when module is already in display off mode.																								
Register Availability	<table border="1" style="width: 100%; border-collapse: collapse;"> <thead> <tr> <th>Status</th> <th>Availability</th> </tr> </thead> <tbody> <tr> <td>Normal Mode On, Idle Mode Off, Sleep Out</td> <td>Yes</td> </tr> <tr> <td>Normal Mode On, Idle Mode On, Sleep Out</td> <td>Yes</td> </tr> <tr> <td>Partial Mode On, Idle Mode Off, Sleep Out</td> <td>Yes</td> </tr> <tr> <td>Partial Mode On, Idle Mode On, Sleep Out</td> <td>Yes</td> </tr> <tr> <td>Sleep In</td> <td>Yes</td> </tr> </tbody> </table>													Status	Availability	Normal Mode On, Idle Mode Off, Sleep Out	Yes	Normal Mode On, Idle Mode On, Sleep Out	Yes	Partial Mode On, Idle Mode Off, Sleep Out	Yes	Partial Mode On, Idle Mode On, Sleep Out	Yes	Sleep In	Yes
Status	Availability																								
Normal Mode On, Idle Mode Off, Sleep Out	Yes																								
Normal Mode On, Idle Mode On, Sleep Out	Yes																								
Partial Mode On, Idle Mode Off, Sleep Out	Yes																								
Partial Mode On, Idle Mode On, Sleep Out	Yes																								
Sleep In	Yes																								
Default	<table border="1" style="width: 100%; border-collapse: collapse;"> <thead> <tr> <th>Status</th> <th>Default Value</th> </tr> </thead> <tbody> <tr> <td>Power On Sequence</td> <td>Display Off</td> </tr> <tr> <td>SW Reset</td> <td>Display Off</td> </tr> <tr> <td>HW Reset</td> <td>Display Off</td> </tr> </tbody> </table>													Status	Default Value	Power On Sequence	Display Off	SW Reset	Display Off	HW Reset	Display Off				
Status	Default Value																								
Power On Sequence	Display Off																								
SW Reset	Display Off																								
HW Reset	Display Off																								
Flow Chart	<div style="display: flex; align-items: center;"> <div style="flex: 1;">  </div> <div style="flex: 1; border: 1px dashed black; padding: 5px;"> <p><b>Legend</b></p> <ul style="list-style-type: none"> <li>Command: [Rectangle]</li> <li>Parameter: [Parallelogram]</li> <li>Display: [Oval]</li> <li>Action: [Hexagon]</li> <li>Mode: [Rounded Rectangle]</li> <li>Sequential transfer: [Speech bubble]</li> </ul> </div> </div>																								

**8.2.16. Set\_display\_on (29h)**

29H	Set_display_on																								
	D/CX	RDX	WRX	D17-8	D7	D6	D5	D4	D3	D2	D1	D0	HEX												
Command	0	1	↑	x	0	0	1	0	1	0	0	1	29												
Parameter	No Parameter																								
Description	<p>This command causes the display module to start displaying the image data on the display device. The frame memory contents remain unchanged. No status bits are changed.</p> <div style="display: flex; justify-content: space-around; align-items: center;"> <div style="text-align: center;"> <p>Memory</p> </div> <div style="font-size: 2em; margin: 0 20px;">→</div> <div style="text-align: center;"> <p>Display Panel</p> </div> </div>																								
Restriction	This command has no effect when module is already in display on mode.																								
Register Availability	<table border="1" style="width: 100%; border-collapse: collapse;"> <thead> <tr> <th>Status</th> <th>Availability</th> </tr> </thead> <tbody> <tr> <td>Normal Mode On, Idle Mode Off, Sleep Out</td> <td>Yes</td> </tr> <tr> <td>Normal Mode On, Idle Mode On, Sleep Out</td> <td>Yes</td> </tr> <tr> <td>Partial Mode On, Idle Mode Off, Sleep Out</td> <td>Yes</td> </tr> <tr> <td>Partial Mode On, Idle Mode On, Sleep Out</td> <td>Yes</td> </tr> <tr> <td>Sleep In</td> <td>Yes</td> </tr> </tbody> </table>													Status	Availability	Normal Mode On, Idle Mode Off, Sleep Out	Yes	Normal Mode On, Idle Mode On, Sleep Out	Yes	Partial Mode On, Idle Mode Off, Sleep Out	Yes	Partial Mode On, Idle Mode On, Sleep Out	Yes	Sleep In	Yes
Status	Availability																								
Normal Mode On, Idle Mode Off, Sleep Out	Yes																								
Normal Mode On, Idle Mode On, Sleep Out	Yes																								
Partial Mode On, Idle Mode Off, Sleep Out	Yes																								
Partial Mode On, Idle Mode On, Sleep Out	Yes																								
Sleep In	Yes																								
Default	<table border="1" style="width: 100%; border-collapse: collapse;"> <thead> <tr> <th>Status</th> <th>Default Value</th> </tr> </thead> <tbody> <tr> <td>Power On Sequence</td> <td>Display Off</td> </tr> <tr> <td>SW Reset</td> <td>Display Off</td> </tr> <tr> <td>HW Reset</td> <td>Display Off</td> </tr> </tbody> </table>													Status	Default Value	Power On Sequence	Display Off	SW Reset	Display Off	HW Reset	Display Off				
Status	Default Value																								
Power On Sequence	Display Off																								
SW Reset	Display Off																								
HW Reset	Display Off																								
Flow Chart	<div style="display: flex; align-items: center;"> <div style="flex: 1;"> <pre> graph TD     A([Display panel off]) --&gt; B[set_display_on]     B --&gt; C([Display panel on])                     </pre> </div> <div style="flex: 1; border: 1px dashed black; padding: 5px;"> <p><b>Legend</b></p> <ul style="list-style-type: none"> <li>Command: [ ]</li> <li>Parameter: /&gt;</li> <li>Display: &gt;</li> <li>Action: &gt;</li> <li>Mode: &gt;</li> <li>Sequential transfer: &gt;</li> </ul> </div> </div>																								

### 8.2.17. Set\_column\_address (2Ah)

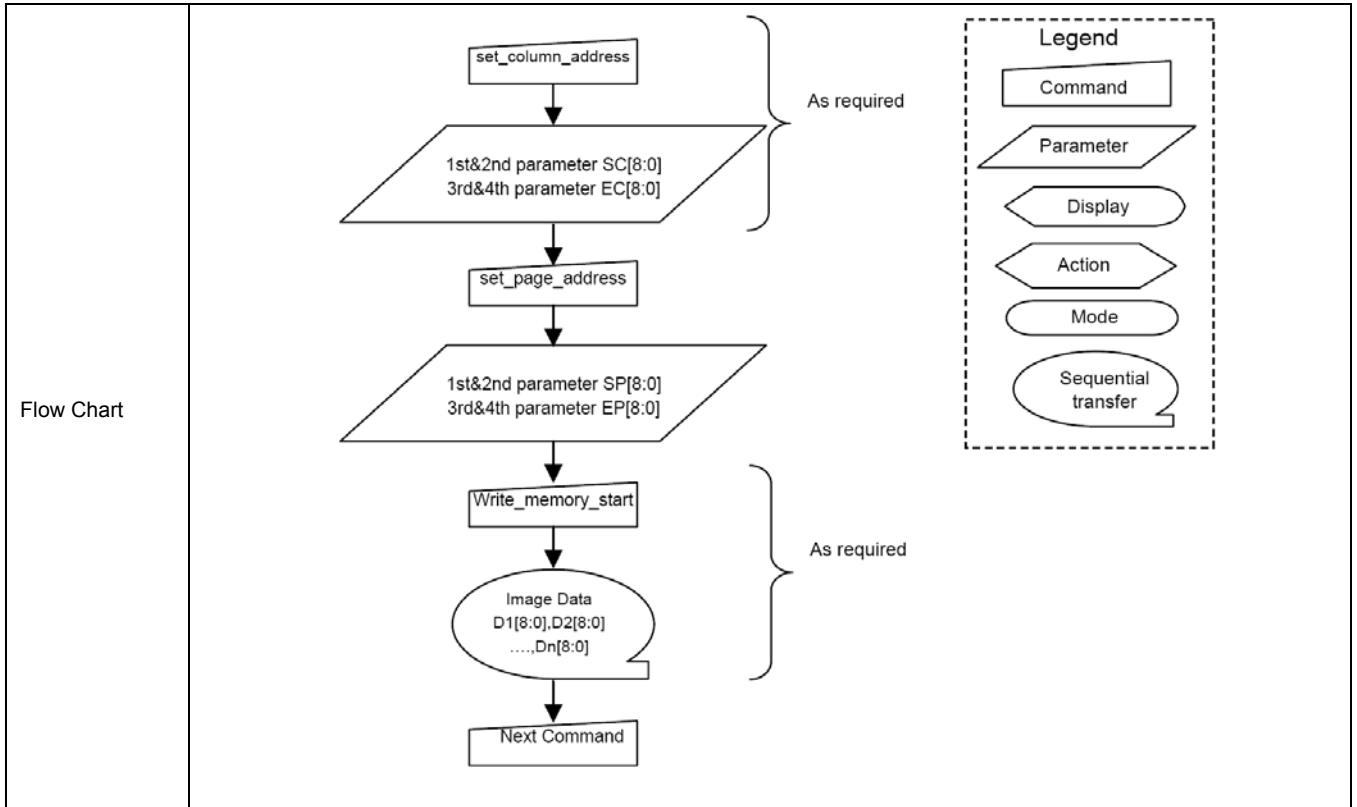
2AH	Set_column_address																								
	D/CX	RDX	WRX	D17-8	D7	D6	D5	D4	D3	D2	D1	D0	HEX												
Command	0	1	↑	x	0	0	1	0	1	0	1	0	2A												
1 <sup>st</sup> Parameter	1	1	↑	x	0	0	0	0	0	0	0	SC8	Note												
2 <sup>nd</sup> Parameter	1	1	↑	x	SC7	SC6	SC5	SC4	SC3	SC2	SC1	SC0	1												
3 <sup>rd</sup> Parameter	1	1	↑	x	0	0	0	0	0	0	0	EC8	Note												
4 <sup>th</sup> Parameter	1	1	↑	x	EC7	EC6	EC5	EC4	EC3	EC2	EC1	EC0	2												
Description	<p>This command is used to define area of frame memory where MCU can access. This command makes no change on the other driver status.</p> <p>Each value represents one column line in the Frame</p> <div style="text-align: center;"> </div> <p>Memory.</p>																								
	Restriction	<p>SC [8:0] always must be equal to or less than EC[8:0]. If SC[8:0] or EC[8:0] is greater than the available frame memory then the parameter is not updated.</p>																							
Register Availability	<table border="1" style="margin-left: auto; margin-right: auto;"> <thead> <tr> <th>Status</th> <th>Availability</th> </tr> </thead> <tbody> <tr> <td>Normal Mode On, Idle Mode Off, Sleep Out</td> <td>Yes</td> </tr> <tr> <td>Normal Mode On, Idle Mode On, Sleep Out</td> <td>Yes</td> </tr> <tr> <td>Partial Mode On, Idle Mode Off, Sleep Out</td> <td>Yes</td> </tr> <tr> <td>Partial Mode On, Idle Mode On, Sleep Out</td> <td>Yes</td> </tr> <tr> <td>Sleep In</td> <td>Yes</td> </tr> </tbody> </table>													Status	Availability	Normal Mode On, Idle Mode Off, Sleep Out	Yes	Normal Mode On, Idle Mode On, Sleep Out	Yes	Partial Mode On, Idle Mode Off, Sleep Out	Yes	Partial Mode On, Idle Mode On, Sleep Out	Yes	Sleep In	Yes
Status	Availability																								
Normal Mode On, Idle Mode Off, Sleep Out	Yes																								
Normal Mode On, Idle Mode On, Sleep Out	Yes																								
Partial Mode On, Idle Mode Off, Sleep Out	Yes																								
Partial Mode On, Idle Mode On, Sleep Out	Yes																								
Sleep In	Yes																								
Default	<table border="1" style="margin-left: auto; margin-right: auto;"> <thead> <tr> <th>Status</th> <th colspan="2">Default Value</th> </tr> </thead> <tbody> <tr> <td>Power On Sequence</td> <td>SC[8:0]=0000<sub>HEX</sub></td> <td>SE[8:0]=0EF<sub>HEX</sub></td> </tr> <tr> <td>SW Reset</td> <td>SC[8:0]=0000<sub>HEX</sub></td> <td>If Set_address_mode(36h) B5=0 : EC[8:0]=0EF<sub>HEX</sub> If Set_address_mode(36h) B5=1 : EC[8:0]=1AF<sub>HEX</sub></td> </tr> <tr> <td>HW Reset</td> <td>SC[8:0]=0000<sub>HEX</sub></td> <td>SE[8:0]=0EF<sub>HEX</sub></td> </tr> </tbody> </table>													Status	Default Value		Power On Sequence	SC[8:0]=0000 <sub>HEX</sub>	SE[8:0]=0EF <sub>HEX</sub>	SW Reset	SC[8:0]=0000 <sub>HEX</sub>	If Set_address_mode(36h) B5=0 : EC[8:0]=0EF <sub>HEX</sub> If Set_address_mode(36h) B5=1 : EC[8:0]=1AF <sub>HEX</sub>	HW Reset	SC[8:0]=0000 <sub>HEX</sub>	SE[8:0]=0EF <sub>HEX</sub>
Status	Default Value																								
Power On Sequence	SC[8:0]=0000 <sub>HEX</sub>	SE[8:0]=0EF <sub>HEX</sub>																							
SW Reset	SC[8:0]=0000 <sub>HEX</sub>	If Set_address_mode(36h) B5=0 : EC[8:0]=0EF <sub>HEX</sub> If Set_address_mode(36h) B5=1 : EC[8:0]=1AF <sub>HEX</sub>																							
HW Reset	SC[8:0]=0000 <sub>HEX</sub>	SE[8:0]=0EF <sub>HEX</sub>																							



**8.2.18. Set\_page\_address (2Bh)**

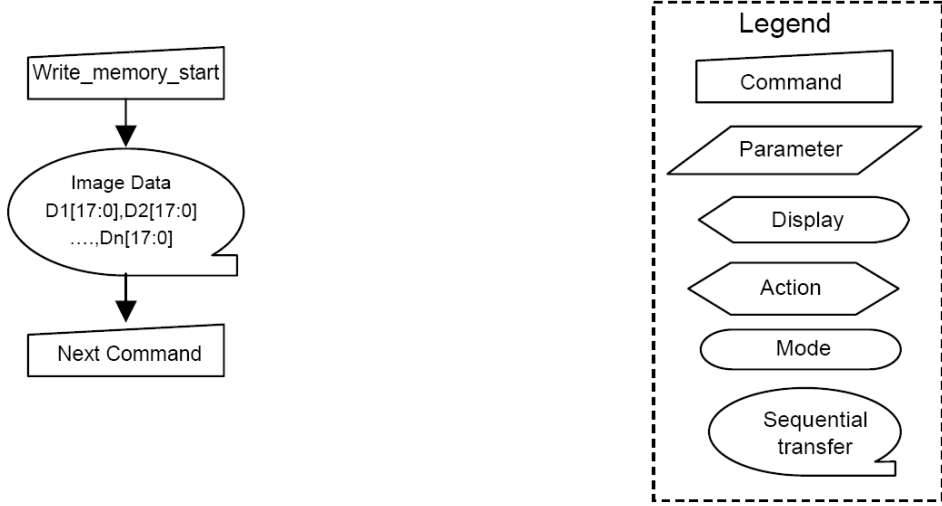
2BH	Set_page_address																								
	D/CX	RDX	WRX	D17-8	D7	D6	D5	D4	D3	D2	D1	D0	HEX												
Command	0	1	↑	x	0	0	1	0	1	0	1	1	2B												
1 <sup>st</sup> Parameter	1	1	↑	x	0	0	0	0	0	0	0	SP8	xxx												
2 <sup>nd</sup> Parameter	1	1	↑	x	SP7	SP6	SP5	SP4	SP3	SP2	SP1	SP0													
3 <sup>rd</sup> Parameter	1	1	↑	x	0	0	0	0	0	0	0	EP8	xxx												
4 <sup>th</sup> Parameter	1	1	↑	x	EP7	EP6	EP5	EP4	EP3	EP2	EP1	EP0													
Description	<p>This command defines the page extent of the frame memory accessed by the host processor with the write_memory_continue and read_memory_continue command. No status bits are changed.</p> <div style="text-align: center;"> </div>																								
Restriction	<p>SP [8:0] always must be equal to or less than EP [8:0]. If SP[8:0] or EP[8:0] is greater than the available frame memory then the parameter is not updated.</p>																								
Register Availability	<table border="1" style="margin-left: auto; margin-right: auto;"> <thead> <tr> <th>Status</th> <th>Availability</th> </tr> </thead> <tbody> <tr> <td>Normal Mode On, Idle Mode Off, Sleep Out</td> <td>Yes</td> </tr> <tr> <td>Normal Mode On, Idle Mode On, Sleep Out</td> <td>Yes</td> </tr> <tr> <td>Partial Mode On, Idle Mode Off, Sleep Out</td> <td>Yes</td> </tr> <tr> <td>Partial Mode On, Idle Mode On, Sleep Out</td> <td>Yes</td> </tr> <tr> <td>Sleep In</td> <td>Yes</td> </tr> </tbody> </table>													Status	Availability	Normal Mode On, Idle Mode Off, Sleep Out	Yes	Normal Mode On, Idle Mode On, Sleep Out	Yes	Partial Mode On, Idle Mode Off, Sleep Out	Yes	Partial Mode On, Idle Mode On, Sleep Out	Yes	Sleep In	Yes
Status	Availability																								
Normal Mode On, Idle Mode Off, Sleep Out	Yes																								
Normal Mode On, Idle Mode On, Sleep Out	Yes																								
Partial Mode On, Idle Mode Off, Sleep Out	Yes																								
Partial Mode On, Idle Mode On, Sleep Out	Yes																								
Sleep In	Yes																								
Default	<table border="1" style="margin-left: auto; margin-right: auto;"> <thead> <tr> <th>Status</th> <th colspan="2">Default Value</th> </tr> </thead> <tbody> <tr> <td>Power On Sequence</td> <td>SP[8:0]=0000<sub>HEX</sub></td> <td>EP[8:0]=1AF<sub>HEX</sub></td> </tr> <tr> <td>SW Reset</td> <td>SP[8:0]=0000<sub>HEX</sub></td> <td>If Set_address_mode(36h) B5=0 : EP[8:0]=1AF<sub>HEX</sub> If Set_address_mode(36h) B5=1 : EP[8:0]=0EF<sub>HEX</sub></td> </tr> <tr> <td>HW Reset</td> <td>SP8:0]=0000<sub>HEX</sub></td> <td>EP[8:0]=1AF<sub>HEX</sub></td> </tr> </tbody> </table>													Status	Default Value		Power On Sequence	SP[8:0]=0000 <sub>HEX</sub>	EP[8:0]=1AF <sub>HEX</sub>	SW Reset	SP[8:0]=0000 <sub>HEX</sub>	If Set_address_mode(36h) B5=0 : EP[8:0]=1AF <sub>HEX</sub> If Set_address_mode(36h) B5=1 : EP[8:0]=0EF <sub>HEX</sub>	HW Reset	SP8:0]=0000 <sub>HEX</sub>	EP[8:0]=1AF <sub>HEX</sub>
Status	Default Value																								
Power On Sequence	SP[8:0]=0000 <sub>HEX</sub>	EP[8:0]=1AF <sub>HEX</sub>																							
SW Reset	SP[8:0]=0000 <sub>HEX</sub>	If Set_address_mode(36h) B5=0 : EP[8:0]=1AF <sub>HEX</sub> If Set_address_mode(36h) B5=1 : EP[8:0]=0EF <sub>HEX</sub>																							
HW Reset	SP8:0]=0000 <sub>HEX</sub>	EP[8:0]=1AF <sub>HEX</sub>																							





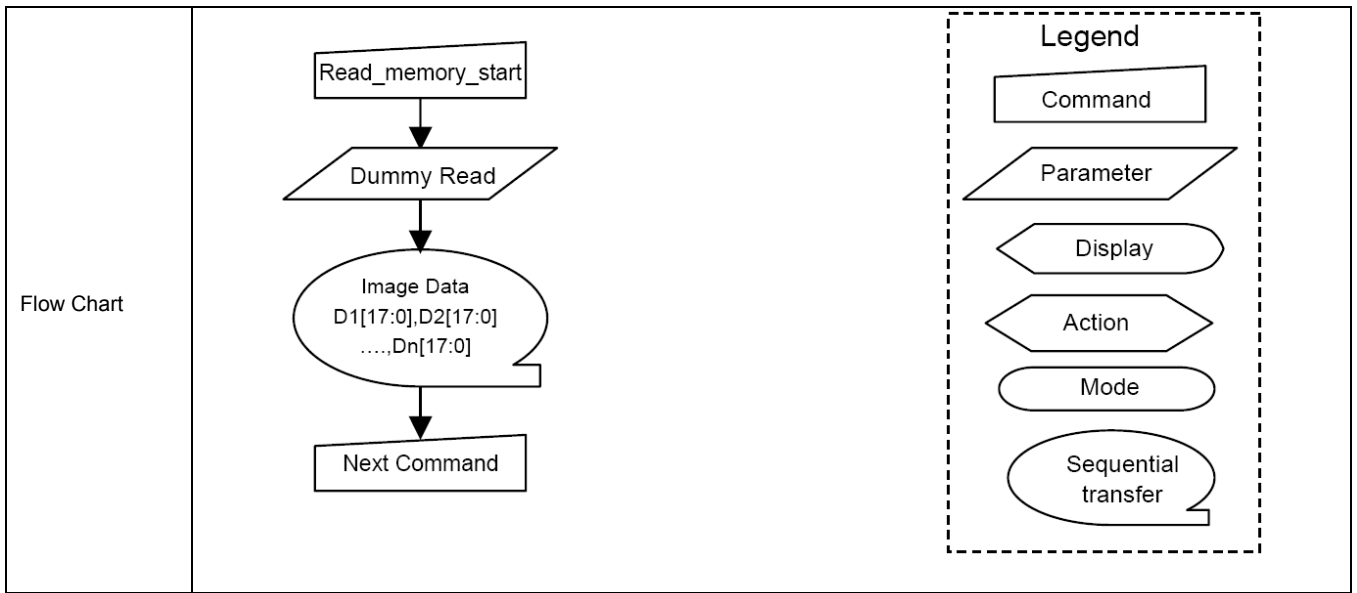
### 8.2.19. Write\_memory\_start (2Ch)

2CH	Write_memory_start												HEX												
	D/CX	RDX	WRX	D17-8	D7	D6	D5	D4	D3	D2	D1	D0													
Command	0	1	↑	xx	0	0	1	0	1	1	0	0	2C												
1 <sup>st</sup> pixel data	1	1	↑	D1 [17..8]	D1 7	D1 6	D1 5	D1 4	D1 3	D1 2	D1 1	D1 0	00000..3FFF												
:	1	1	↑	Dx [17..8]	Dx 7	Dx 6	Dx 5	Dx 4	Dx 3	Dx 2	Dx 1	Dx 0	00000..3FFF												
N <sup>TH</sup> pixel data	1	1	↑	Dn [17..8]	Dn 7	Dn 6	Dn 5	Dn 4	Dn 3	Dn 2	Dn 1	Dn 0	00000..3FFF												
Description	<p>This command transfers image data from the host processor to the display module's frame memory starting at the pixel location specified by preceding set_column_address (2Ah) and set_page_address (2Bh) commands.</p> <p>When this command is accepted, the column register and the page register are reset to the Start Column/Start Page positions.</p> <p><b>If set_address_mode (36h) B5 = 0:</b></p> <p>The column and page registers are reset to the Start Column (SC) and Start Page (SP), respectively. Pixel Data 1 is stored in frame memory at (SC, SP). The column register is then incremented and pixels are written to the frame memory until the column register equals the End Column (EC) value. The column register is then reset to SC and the page register is incremented. Pixels are written to the frame memory until the page register equals the End Page (EP) value or the host processor sends another command. If the number of pixels exceeds (EC – SC + 1) * (EP – SP + 1) the extra pixels are ignored.</p> <p><b>If set_address_mode (36h) B5 = 1:</b></p> <p>The column and page registers are reset to the Start Column (SC) and Start Page (SP), respectively. Pixel Data 1 is stored in frame memory at (SC, SP). The page register is then incremented and pixels are written to the frame memory until the page register equals the End Page (EP) value. The page register is then reset to SP and the column register is incremented. Pixels are written to the frame memory until the column register equals the End column (EC) value or the host processor sends another command. If the number of pixels exceeds (EC – SC + 1) * (EP – SP + 1) the extra pixels are ignored.</p>																								
Restriction	<p>A write_memory_start should follow a set_column_address, set_page_address or set_address_mode to define the write location. Otherwise, data written with write_memory_start and any following write_memory_continue commands is written to undefined locations..</p>																								
Register Availability	<table border="1"> <thead> <tr> <th>Status</th> <th>Availability</th> </tr> </thead> <tbody> <tr> <td>Normal Mode On, Idle Mode Off, Sleep Out</td> <td>Yes</td> </tr> <tr> <td>Normal Mode On, Idle Mode On, Sleep Out</td> <td>Yes</td> </tr> <tr> <td>Partial Mode On, Idle Mode Off, Sleep Out</td> <td>Yes</td> </tr> <tr> <td>Partial Mode On, Idle Mode On, Sleep Out</td> <td>Yes</td> </tr> <tr> <td>Sleep In</td> <td>Yes</td> </tr> </tbody> </table>													Status	Availability	Normal Mode On, Idle Mode Off, Sleep Out	Yes	Normal Mode On, Idle Mode On, Sleep Out	Yes	Partial Mode On, Idle Mode Off, Sleep Out	Yes	Partial Mode On, Idle Mode On, Sleep Out	Yes	Sleep In	Yes
Status	Availability																								
Normal Mode On, Idle Mode Off, Sleep Out	Yes																								
Normal Mode On, Idle Mode On, Sleep Out	Yes																								
Partial Mode On, Idle Mode Off, Sleep Out	Yes																								
Partial Mode On, Idle Mode On, Sleep Out	Yes																								
Sleep In	Yes																								

Default	<table border="1" data-bbox="603 259 1206 396"> <thead> <tr> <th>Status</th> <th>Default Value</th> </tr> </thead> <tbody> <tr> <td>Power On Sequence</td> <td>Contents of memory is set randomly</td> </tr> <tr> <td>SW Reset</td> <td>Contents of memory is not cleared</td> </tr> <tr> <td>HW Reset</td> <td>Contents of memory is not cleared</td> </tr> </tbody> </table>	Status	Default Value	Power On Sequence	Contents of memory is set randomly	SW Reset	Contents of memory is not cleared	HW Reset	Contents of memory is not cleared
Status	Default Value								
Power On Sequence	Contents of memory is set randomly								
SW Reset	Contents of memory is not cleared								
HW Reset	Contents of memory is not cleared								
Flow Chart	 <pre> graph TD     A[Write_memory_start] --&gt; B((Image Data D1[17:0], D2[17:0] ..., Dn[17:0]))     B --&gt; C[Next Command]     </pre> <p><b>Legend</b></p> <ul style="list-style-type: none"> <li>Command: Rectangle</li> <li>Parameter: Parallelogram</li> <li>Display: Rounded rectangle</li> <li>Action: Arrowhead</li> <li>Mode: Oval</li> <li>Sequential transfer: Speech bubble</li> </ul>								

**8.2.20. Read\_memory\_start (2Eh)**

2EH	RAMRD (Memory Read)												HEX												
	D/CX	RDX	WRX	D17-8	D7	D6	D5	D4	D3	D2	D1	D0													
Command	0	1	↑	x	0	0	1	0	1	1	1	0	2E												
1 <sup>st</sup> Parameter	1	↑	1	x	x	x	x	x	x	x	x	x	x												
2 <sup>nd</sup> Parameter	1	↑	1	D1 [17..8]	D1 7	D1 6	D1 5	D1 4	D1 3	D1 2	D1 1	D1 0	0000..3FF												
:	1	↑	1	Dx [17..8]	Dx 7	Dx 6	Dx 5	Dx 4	Dx 3	Dx 2	Dx 1	Dx 0	0000..3FF												
(N+1) <sup>TH</sup> Parameter	1	↑	1	Dn [17..8]	Dn 7	Dn 6	Dn 5	Dn 4	Dn 3	Dn 2	Dn 1	Dn 0	0000..3FF												
Description	<p>This command transfers image data from the display module's frame memory to the host processor starting at the pixel location specified by preceding set_column_address and set_page_address commands.</p> <p><b>If set_address_mode B5 = 0:</b></p> <p>The column and page registers are reset to the Start Column (SC) and Start Page (SP), respectively. Pixels are read from frame memory at (SC, SP). The column register is then incremented and pixels read from the frame memory until the column register equals the End Column (EC) value. The column register is then reset to SC and the page register is incremented. Pixels are read from the frame memory until the page register equals the End Page (EP) value or the host processor sends another command.</p> <p><b>If set_address_mode B5 = 1:</b></p> <p>The column and page registers are reset to the Start Column (SC) and Start Page (SP), respectively. Pixels are read from frame memory at (SC, SP). The page register is then incremented and pixels read from the frame memory until the page register equals the End Page (EP) value. The page register is then reset to SP and the column register is incremented. Pixels are read from the frame memory until the column register equals the End Column (EC) value or the host processor sends another command.</p>																								
Restriction	Regardless of the color mode set in set_pixel_format, the pixel format returned by read_memory_continue is always 24-bit so there is no restriction on the length of data.																								
Register Availability	<table border="1"> <thead> <tr> <th>Status</th> <th>Availability</th> </tr> </thead> <tbody> <tr> <td>Normal Mode On, Idle Mode Off, Sleep Out</td> <td>Yes</td> </tr> <tr> <td>Normal Mode On, Idle Mode On, Sleep Out</td> <td>Yes</td> </tr> <tr> <td>Partial Mode On, Idle Mode Off, Sleep Out</td> <td>Yes</td> </tr> <tr> <td>Partial Mode On, Idle Mode On, Sleep Out</td> <td>Yes</td> </tr> <tr> <td>Sleep In</td> <td>Yes</td> </tr> </tbody> </table>													Status	Availability	Normal Mode On, Idle Mode Off, Sleep Out	Yes	Normal Mode On, Idle Mode On, Sleep Out	Yes	Partial Mode On, Idle Mode Off, Sleep Out	Yes	Partial Mode On, Idle Mode On, Sleep Out	Yes	Sleep In	Yes
Status	Availability																								
Normal Mode On, Idle Mode Off, Sleep Out	Yes																								
Normal Mode On, Idle Mode On, Sleep Out	Yes																								
Partial Mode On, Idle Mode Off, Sleep Out	Yes																								
Partial Mode On, Idle Mode On, Sleep Out	Yes																								
Sleep In	Yes																								
Default	<table border="1"> <thead> <tr> <th>Status</th> <th>Default Value</th> </tr> </thead> <tbody> <tr> <td>Power On Sequence</td> <td>Contents of memory is set randomly</td> </tr> <tr> <td>SW Reset</td> <td>Contents of memory is not cleared</td> </tr> <tr> <td>HW Reset</td> <td>Contents of memory is not cleared</td> </tr> </tbody> </table>													Status	Default Value	Power On Sequence	Contents of memory is set randomly	SW Reset	Contents of memory is not cleared	HW Reset	Contents of memory is not cleared				
Status	Default Value																								
Power On Sequence	Contents of memory is set randomly																								
SW Reset	Contents of memory is not cleared																								
HW Reset	Contents of memory is not cleared																								

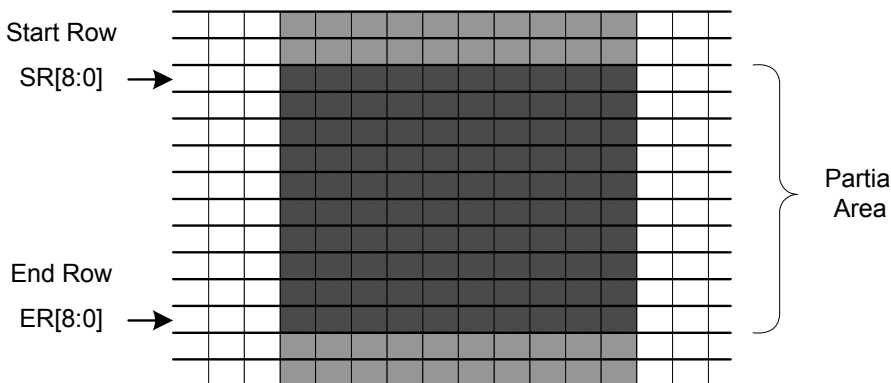


**8.2.21. Set\_partial\_area (30h)**

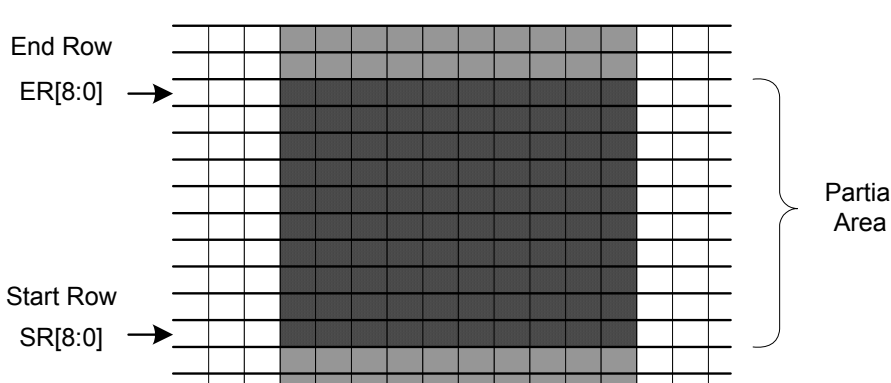
30H	Set_partial_area												HEX
	D/CX	RDX	WRX	D17-8	D7	D6	D5	D4	D3	D2	D1	D0	
Command	0	1	↑	x	0	0	1	1	0	0	0	0	30
1 <sup>st</sup> Parameter	1	1	↑	x	0	0	0	0	0	0	0	SR8	000..1DFh
2 <sup>nd</sup> Parameter	1	1	↑	x	SR7	SR6	SR5	SR4	SR3	SR2	SR1	SR0	
3 <sup>rd</sup> Parameter	1	1	↑	x	0	0	0	0	0	0	0	ER8	000..1DFh
4 <sup>th</sup> Parameter	1	1	↑	x	ER7	ER6	ER5	ER4	ER3	ER2	ER1	ER0	

This command defines the Partial Display mode's display area. There are two parameters associated with this command, the first defines the Start Row (SR) and the second the End Row (ER), as illustrated in the following figure. SR and ER refer to the Frame Memory

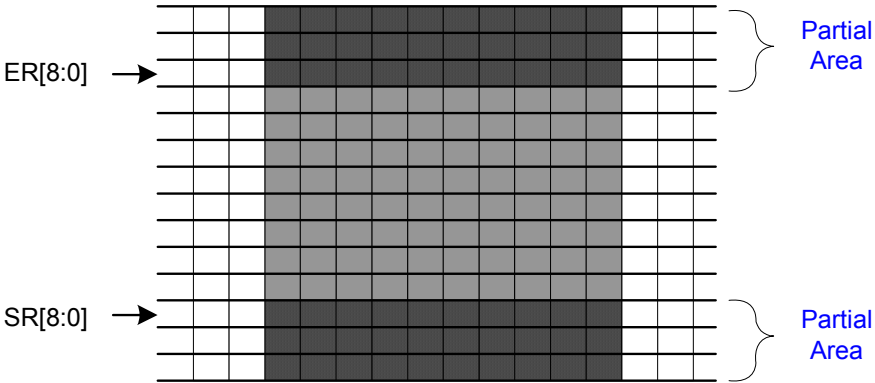
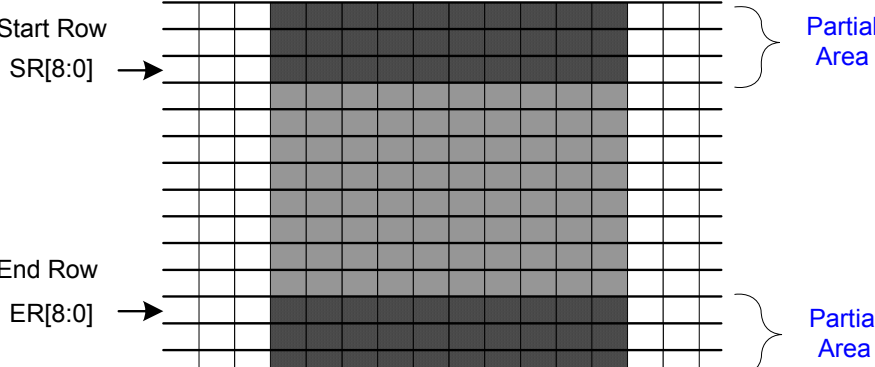
If End Row > Start Row and set\_address\_mode B4 = 0:

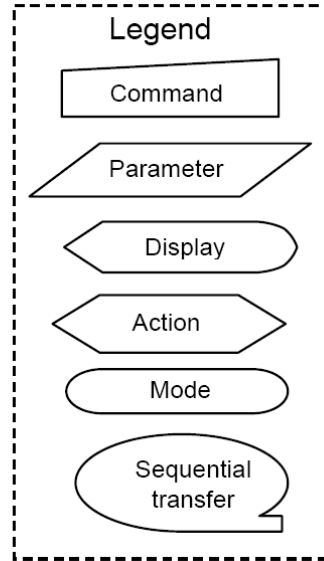
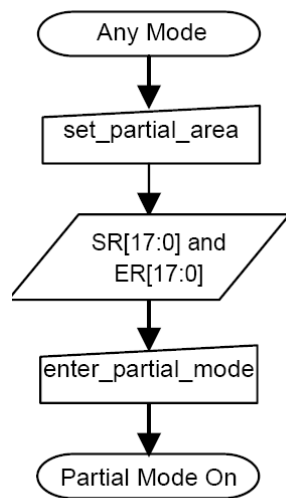


If End Row > Start Row and set\_address\_mode B4 = 1:

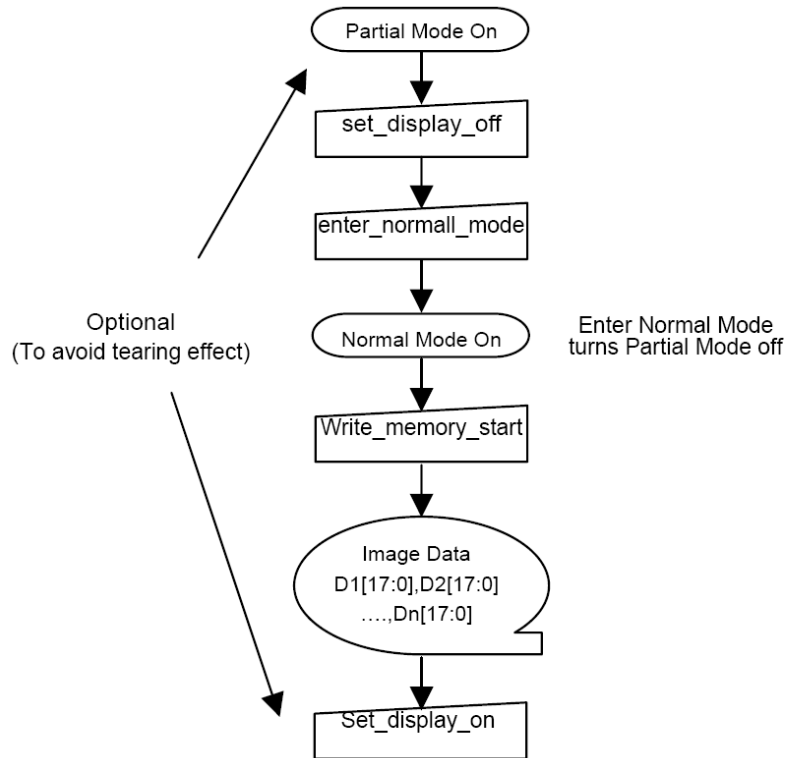


Description

	<p>End Row &lt; Start Row (set_address_mode(36h) B4=0)</p>  <p>End Row &lt; Start Row (set_address_mode(36h) B4=1)</p>  <p>If End Row = Start Row then the Partial Area will be one row deep.</p>												
Restriction	SR[15:0] and ER[15:0] cannot be 0000h nor exceed the last vertical line number (01DFh).												
Register Availability	<table border="1" data-bbox="592 1319 1177 1520"> <thead> <tr> <th>Status</th> <th>Availability</th> </tr> </thead> <tbody> <tr> <td>Normal Mode On, Idle Mode Off, Sleep Out</td> <td>Yes</td> </tr> <tr> <td>Normal Mode On, Idle Mode On, Sleep Out</td> <td>Yes</td> </tr> <tr> <td>Partial Mode On, Idle Mode Off, Sleep Out</td> <td>Yes</td> </tr> <tr> <td>Partial Mode On, Idle Mode On, Sleep Out</td> <td>Yes</td> </tr> <tr> <td>Sleep In</td> <td>Yes</td> </tr> </tbody> </table>	Status	Availability	Normal Mode On, Idle Mode Off, Sleep Out	Yes	Normal Mode On, Idle Mode On, Sleep Out	Yes	Partial Mode On, Idle Mode Off, Sleep Out	Yes	Partial Mode On, Idle Mode On, Sleep Out	Yes	Sleep In	Yes
Status	Availability												
Normal Mode On, Idle Mode Off, Sleep Out	Yes												
Normal Mode On, Idle Mode On, Sleep Out	Yes												
Partial Mode On, Idle Mode Off, Sleep Out	Yes												
Partial Mode On, Idle Mode On, Sleep Out	Yes												
Sleep In	Yes												
Default	<table border="1" data-bbox="480 1565 1289 1700"> <thead> <tr> <th>Status</th> <th colspan="2">Default Value</th> </tr> </thead> <tbody> <tr> <td>Power On Sequence</td> <td>SR[8:0]=0000<sub>HEX</sub></td> <td>ER[8:0]=1AF<sub>HEX</sub></td> </tr> <tr> <td>SW Reset</td> <td>SR[8:0]=0000<sub>HEX</sub></td> <td>ER[8:0]=1AF<sub>HEX</sub></td> </tr> <tr> <td>HW Reset</td> <td>SR[8:0]=0000<sub>HEX</sub></td> <td>ER[8:0]=1AF<sub>HEX</sub></td> </tr> </tbody> </table>	Status	Default Value		Power On Sequence	SR[8:0]=0000 <sub>HEX</sub>	ER[8:0]=1AF <sub>HEX</sub>	SW Reset	SR[8:0]=0000 <sub>HEX</sub>	ER[8:0]=1AF <sub>HEX</sub>	HW Reset	SR[8:0]=0000 <sub>HEX</sub>	ER[8:0]=1AF <sub>HEX</sub>
Status	Default Value												
Power On Sequence	SR[8:0]=0000 <sub>HEX</sub>	ER[8:0]=1AF <sub>HEX</sub>											
SW Reset	SR[8:0]=0000 <sub>HEX</sub>	ER[8:0]=1AF <sub>HEX</sub>											
HW Reset	SR[8:0]=0000 <sub>HEX</sub>	ER[8:0]=1AF <sub>HEX</sub>											
Flow Chart	1. To Enter Partial Mode												



2. To Leave Partial Mode





**8.2.22. Set\_scroll\_area (33h)**

33H	Set_scroll_area												HEX
	D/CX	RDX	WRX	D17-8	D7	D6	D5	D4	D3	D2	D1	D0	
Command	0	1	↑	x	0	0	1	1	0	0	1	1	33
1 <sup>st</sup> Parameter	1	1	↑	x	0	0	0	0	0	0	0	TFA [8]	0000
2 <sup>nd</sup> Parameter	1	1	↑	x	TFA [7]	TFA [6]	TFA [5]	TFA [4]	TFA [3]	TFA [2]	TFA [1]	TFA [0]	... 01E0
3 <sup>rd</sup> Parameter	1	1	↑	x	0	0	0	0	0	0	0	VSA [8]	0000
4 <sup>th</sup> Parameter	1	1	↑	x	VSA [7]	VSA [6]	VSA [5]	VSA [4]	VSA [3]	VSA [2]	VSA [1]	VSA [0]	... 01E0
5 <sup>th</sup> Parameter	1	1	↑	x	0	0	0	0	0	0	0	BFA [8]	0000
6 <sup>th</sup> Parameter	1	1	↑	x	BFA [7]	BFA [6]	BFA [5]	BFA [4]	BFA [3]	BFA [2]	BFA [1]	BFA [0]	... 01E0

This command defines the display vertical scrolling area.

**set\_address\_mode (36h) B4 = 0:**

The 1st & 2nd parameter, TFA[8:0], describes the Top Fixed Area in number of lines from the top of the frame memory. The top of the frame memory and top of the display device are aligned. The 3rd & 4th parameter, VSA[8:0], describes the height of the Vertical Scrolling Area in number of lines of frame memory from the Vertical Scrolling Start Address. The first line of the Vertical Scrolling Area starts immediately after the bottom most line of the Top Fixed Area. The last line of the Vertical Scrolling Area ends immediately before the top most line of the Bottom Fixed Area.

The 5th & 6th parameter, BFA[8:0], describes the Bottom Fixed Area in number of lines from the bottom of the frame memory. The bottom of the frame memory and bottom of the display device are aligned.

TFA, VSA and BFA refer to the Frame Memory Line Pointer.



**set\_scroll\_area set\_address\_mode B4 = 0 Example**

**set\_address\_mode (36h) B4 = 1:**

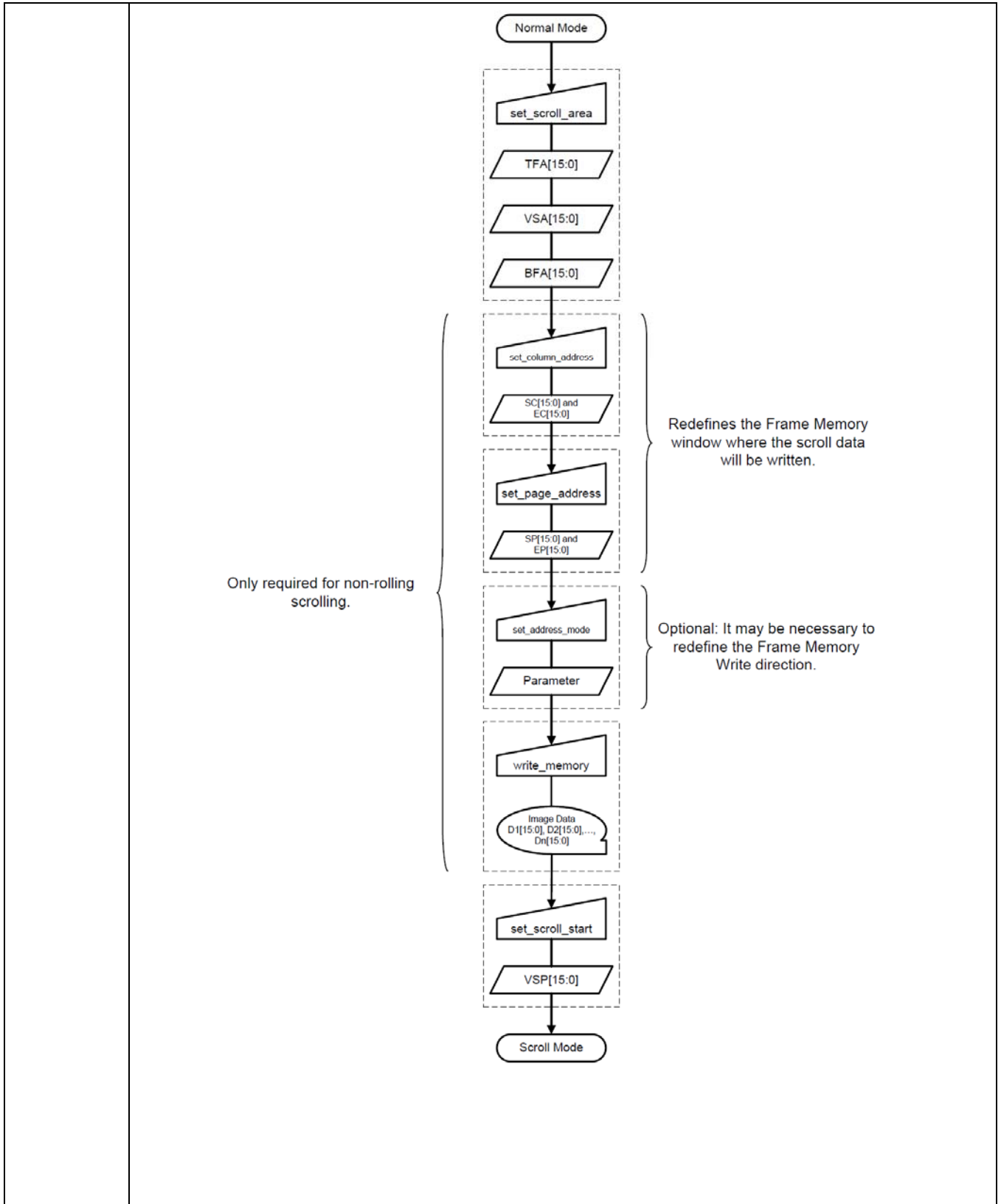
The 1st & 2nd parameter, TFA[8:0], describes the Top Fixed Area in number of lines from the bottom of the frame memory. The bottom of the frame memory and bottom of the display device are aligned.

The 3rd & 4th parameter, VSA[8:0], describes the height of the Vertical Scrolling Area in number of lines of frame memory from the Vertical Scrolling Start Address. The first line of the Vertical Scrolling Area starts immediately after the top most line of the Top Fixed Area. The last line of the Vertical Scrolling Area ends immediately before the bottom most line of the Bottom Fixed Area.

The 5th & 6th parameter, BFA[8:0], describes the Bottom Fixed Area in number of lines from the top of the frame memory. The top of the frame memory and top of the display device are aligned.

TFA, VSA and BFA refer to the Frame Memory Line Pointer.

	<p>(0, 0)</p> <p>BFA[8:0]</p> <p>VSA[8:0]</p> <p>TFA[8:0]</p> <p>Bottom Fixed Area</p> <p>Top Fixed Area</p> <p>First line read from memory</p> <p>set_scroll_area set_address_mode B4 = 1 Example</p>																
Restriction	<p>The sum of TFA, VSA and BFA must equal the number of the display device's horizontal lines (pages), otherwise Scrolling mode is undefined. In Vertical Scroll Mode, set_address_mode B5 should be set to '0' – this only affects the Frame Memory Write.</p>																
Register Availability	<table border="1"> <thead> <tr> <th>Status</th> <th>Availability</th> </tr> </thead> <tbody> <tr> <td>Normal Mode On, Idle Mode Off, Sleep Out</td> <td>Yes</td> </tr> <tr> <td>Normal Mode On, Idle Mode On, Sleep Out</td> <td>Yes</td> </tr> <tr> <td>Partial Mode On, Idle Mode Off, Sleep Out</td> <td>Yes</td> </tr> <tr> <td>Partial Mode On, Idle Mode On, Sleep Out</td> <td>Yes</td> </tr> <tr> <td>Sleep In</td> <td>Yes</td> </tr> </tbody> </table>	Status	Availability	Normal Mode On, Idle Mode Off, Sleep Out	Yes	Normal Mode On, Idle Mode On, Sleep Out	Yes	Partial Mode On, Idle Mode Off, Sleep Out	Yes	Partial Mode On, Idle Mode On, Sleep Out	Yes	Sleep In	Yes				
Status	Availability																
Normal Mode On, Idle Mode Off, Sleep Out	Yes																
Normal Mode On, Idle Mode On, Sleep Out	Yes																
Partial Mode On, Idle Mode Off, Sleep Out	Yes																
Partial Mode On, Idle Mode On, Sleep Out	Yes																
Sleep In	Yes																
Default	<table border="1"> <thead> <tr> <th>Status</th> <th colspan="3">Default Value</th> </tr> </thead> <tbody> <tr> <td>Power On Sequence</td> <td>TFA[8:0]=0000<sub>HEX</sub></td> <td>VSA[8:0]=01B0<sub>HEX</sub></td> <td>BFA[8:0]=0000<sub>HEX</sub></td> </tr> <tr> <td>SW Reset</td> <td>TFA [8:0]=0000<sub>HEX</sub></td> <td>VSA[8:0]=01B0<sub>HEX</sub></td> <td>BFA[8:0]=0000<sub>HEX</sub></td> </tr> <tr> <td>HW Reset</td> <td>TFA [8:0]=0000<sub>HEX</sub></td> <td>VSA[8:0]=01B0<sub>HEX</sub></td> <td>BFA[8:0]=0000<sub>HEX</sub></td> </tr> </tbody> </table>	Status	Default Value			Power On Sequence	TFA[8:0]=0000 <sub>HEX</sub>	VSA[8:0]=01B0 <sub>HEX</sub>	BFA[8:0]=0000 <sub>HEX</sub>	SW Reset	TFA [8:0]=0000 <sub>HEX</sub>	VSA[8:0]=01B0 <sub>HEX</sub>	BFA[8:0]=0000 <sub>HEX</sub>	HW Reset	TFA [8:0]=0000 <sub>HEX</sub>	VSA[8:0]=01B0 <sub>HEX</sub>	BFA[8:0]=0000 <sub>HEX</sub>
Status	Default Value																
Power On Sequence	TFA[8:0]=0000 <sub>HEX</sub>	VSA[8:0]=01B0 <sub>HEX</sub>	BFA[8:0]=0000 <sub>HEX</sub>														
SW Reset	TFA [8:0]=0000 <sub>HEX</sub>	VSA[8:0]=01B0 <sub>HEX</sub>	BFA[8:0]=0000 <sub>HEX</sub>														
HW Reset	TFA [8:0]=0000 <sub>HEX</sub>	VSA[8:0]=01B0 <sub>HEX</sub>	BFA[8:0]=0000 <sub>HEX</sub>														
Flow Chart	<p>1. To enter Vertical Scroll Mode:</p>																


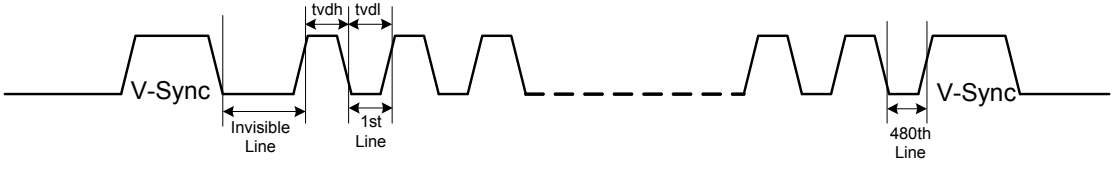
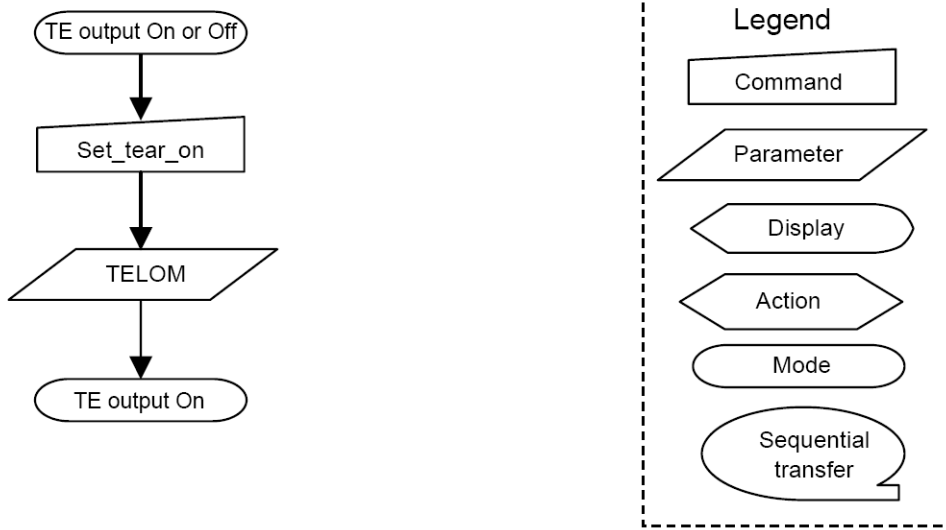


**8.2.23. Set\_tear\_off (34h)**

34H	Set_tear_off																								
	D/CX	RDX	WRX	D17-8	D7	D6	D5	D4	D3	D2	D1	D0	HEX												
Command	0	1	↑	x	0	0	1	1	0	1	0	0	34												
Parameter	NO PARAMETER																								
Description	This command turns off the display module's Tearing Effect output signal on the TE signal line.																								
Restriction	This command has no effect when the Tearing Effect output is already off.																								
Register Availability	<table border="1"> <thead> <tr> <th>Status</th> <th>Availability</th> </tr> </thead> <tbody> <tr> <td>Normal Mode On, Idle Mode Off, Sleep Out</td> <td>Yes</td> </tr> <tr> <td>Normal Mode On, Idle Mode On, Sleep Out</td> <td>Yes</td> </tr> <tr> <td>Partial Mode On, Idle Mode Off, Sleep Out</td> <td>Yes</td> </tr> <tr> <td>Partial Mode On, Idle Mode On, Sleep Out</td> <td>Yes</td> </tr> <tr> <td>Sleep In</td> <td>Yes</td> </tr> </tbody> </table>													Status	Availability	Normal Mode On, Idle Mode Off, Sleep Out	Yes	Normal Mode On, Idle Mode On, Sleep Out	Yes	Partial Mode On, Idle Mode Off, Sleep Out	Yes	Partial Mode On, Idle Mode On, Sleep Out	Yes	Sleep In	Yes
Status	Availability																								
Normal Mode On, Idle Mode Off, Sleep Out	Yes																								
Normal Mode On, Idle Mode On, Sleep Out	Yes																								
Partial Mode On, Idle Mode Off, Sleep Out	Yes																								
Partial Mode On, Idle Mode On, Sleep Out	Yes																								
Sleep In	Yes																								
Default	<table border="1"> <thead> <tr> <th>Status</th> <th>Default Value</th> </tr> </thead> <tbody> <tr> <td>Power On Sequence</td> <td>OFF</td> </tr> <tr> <td>SW Reset</td> <td>OFF</td> </tr> <tr> <td>HW Reset</td> <td>OFF</td> </tr> </tbody> </table>													Status	Default Value	Power On Sequence	OFF	SW Reset	OFF	HW Reset	OFF				
Status	Default Value																								
Power On Sequence	OFF																								
SW Reset	OFF																								
HW Reset	OFF																								
Flow Chart	<pre> graph TD     A([TE output On or Off]) --&gt; B[Set_tear_off]     B --&gt; C([TE output off])     </pre> <p><b>Legend</b></p> <ul style="list-style-type: none"> <li>Command: Rectangle</li> <li>Parameter: Parallelogram</li> <li>Display: Rounded Rectangle</li> <li>Action: Pointed Rectangle</li> <li>Mode: Oval</li> <li>Sequential transfer: Oval with tail</li> </ul>																								

**8.2.24. Set\_tear\_on (35h)**

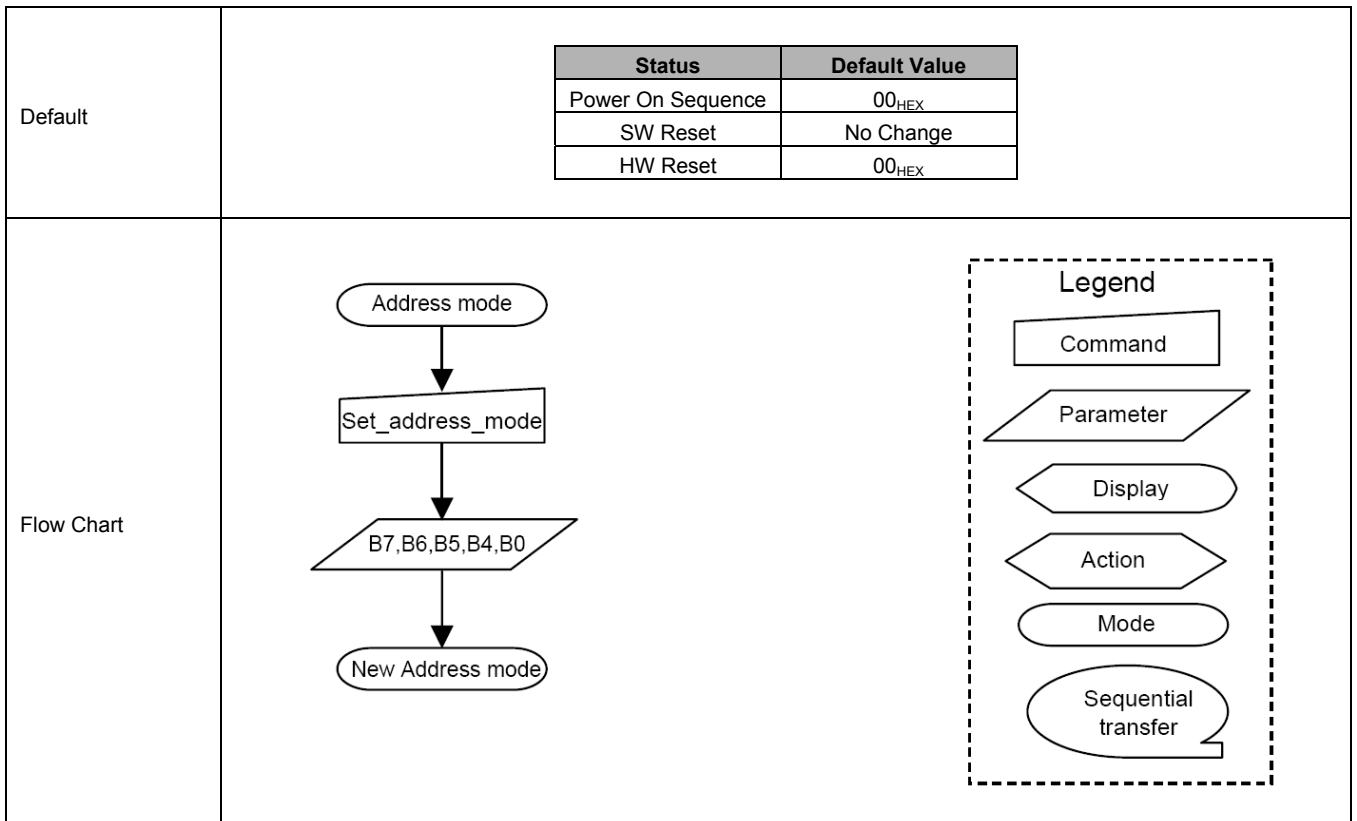
35H	Set_tear_on												
	D/CX	RDX	WRX	D17-8	D7	D6	D5	D4	D3	D2	D1	D0	HEX
Command	0	1	↑	x	0	0	1	1	0	1	0	1	35
1 <sup>st</sup> Parameter	1	1	↑	x	x	x	x	x	x	x	x	TELOM	xx
Description	<p>This command turns on the tearing Effect output signal on the TE signal line. The TE signal is not affected by changing set_address_mode (36h) bit B4 (Line Address Order).</p> <p>The Tearing Effect Line On has one parameter that describes the Tearing Effect Output Line mode.</p> <p>If TELOM = 0: The Tearing Effect Output line consists of V-Blanking information only.</p>												

	<p>Vertical Time Scale</p>  <p>If TELOM = 1: The Tearing Effect Output Line consists of both V-Blanking and H-Blanking information.</p>  <p><b>The Tearing Effect Output line shall be active low when the display module is in Sleep mode.</b></p>												
Restriction	This command has no effect when Tearing Effect output is already ON.												
Register Availability	<table border="1" data-bbox="606 884 1189 1097"> <thead> <tr> <th>Status</th> <th>Availability</th> </tr> </thead> <tbody> <tr> <td>Normal Mode On, Idle Mode Off, Sleep Out</td> <td>Yes</td> </tr> <tr> <td>Normal Mode On, Idle Mode On, Sleep Out</td> <td>Yes</td> </tr> <tr> <td>Partial Mode On, Idle Mode Off, Sleep Out</td> <td>Yes</td> </tr> <tr> <td>Partial Mode On, Idle Mode On, Sleep Out</td> <td>Yes</td> </tr> <tr> <td>Sleep In</td> <td>Yes</td> </tr> </tbody> </table>	Status	Availability	Normal Mode On, Idle Mode Off, Sleep Out	Yes	Normal Mode On, Idle Mode On, Sleep Out	Yes	Partial Mode On, Idle Mode Off, Sleep Out	Yes	Partial Mode On, Idle Mode On, Sleep Out	Yes	Sleep In	Yes
Status	Availability												
Normal Mode On, Idle Mode Off, Sleep Out	Yes												
Normal Mode On, Idle Mode On, Sleep Out	Yes												
Partial Mode On, Idle Mode Off, Sleep Out	Yes												
Partial Mode On, Idle Mode On, Sleep Out	Yes												
Sleep In	Yes												
Default	<table border="1" data-bbox="702 1142 1093 1288"> <thead> <tr> <th>Status</th> <th>Default Value</th> </tr> </thead> <tbody> <tr> <td>Power On Sequence</td> <td>OFF</td> </tr> <tr> <td>SW Reset</td> <td>OFF</td> </tr> <tr> <td>HW Reset</td> <td>OFF</td> </tr> </tbody> </table>	Status	Default Value	Power On Sequence	OFF	SW Reset	OFF	HW Reset	OFF				
Status	Default Value												
Power On Sequence	OFF												
SW Reset	OFF												
HW Reset	OFF												
Flow Chart	 <pre> graph TD     Start([TE output On or Off]) --&gt; Command[Set_tear_on]     Command --&gt; Parameter[/TELOM/]     Parameter --&gt; End([TE output On])     </pre> <p><b>Legend</b></p> <ul style="list-style-type: none"> <li>Command: [ ]</li> <li>Parameter: / /</li> <li>Display: [ ]</li> <li>Action: [ ]</li> <li>Mode: [ ]</li> <li>Sequential transfer: [ ]</li> </ul>												

**8.2.25. Set\_address\_mode (36h)**

36H	Set_address_mode																																						
	D/CX	RDX	WRX	D17-8	D7	D6	D5	D4	D3	D2	D1	D0	HEX																										
Command	0	1	↑	x	0	0	1	1	0	1	1	0	36																										
1 <sup>st</sup> Parameter	1	1	↑	x	B7	B6	B5	B4	B3	0	B1	B0	xx																										
Description	<p>This command defines read/write scanning direction of frame memory.</p> <p>This command makes no change on the other driver status.</p>																																						
	<table border="1" style="margin-left: auto; margin-right: auto;"> <thead> <tr> <th>Bit</th> <th>Description</th> <th>Comment</th> </tr> </thead> <tbody> <tr> <td>B7</td> <td>Page Address Order</td> <td></td> </tr> <tr> <td>B6</td> <td>Column Address Order</td> <td></td> </tr> <tr> <td>B5</td> <td>Page/Column Selection</td> <td></td> </tr> <tr> <td>B4</td> <td>Vertical Order</td> <td></td> </tr> <tr> <td>B3</td> <td>RGB/BGR Order</td> <td></td> </tr> <tr> <td>B2</td> <td>Display data latch data order</td> <td>Set to '0'</td> </tr> <tr> <td>B1</td> <td>Horizontal Flip</td> <td></td> </tr> <tr> <td>B0</td> <td>Vertical Flip</td> <td></td> </tr> </tbody> </table> <ul style="list-style-type: none"> <li>• Bit B7 – Page Address Order <ul style="list-style-type: none"> <li>'0' = Top to Bottom</li> <li>'1' = Bottom to Top</li> </ul> </li> <li>• Bit B6 – Column Address Order <ul style="list-style-type: none"> <li>'0' = Left to Right</li> <li>'1' = Right to Left</li> </ul> </li> <li>• Bit B5 – Page/Column Order <ul style="list-style-type: none"> <li>'0' = Normal Mode</li> <li>'1' = Reverse Mode</li> </ul> </li> <li>• Bit B4 –Line Address Order <ul style="list-style-type: none"> <li>'0' = LCD Refresh Top to Bottom</li> <li>'1' = LCD Refresh Bottom to Top</li> </ul> </li> <li>• Bit B3 – RGB/BGR Order <ul style="list-style-type: none"> <li>'0' = Pixels sent in RGB order</li> <li>'1' = Pixels sent in BGR order</li> </ul> </li> <li>• Bit B2 –Display Data Latch Data Order <ul style="list-style-type: none"> <li>This bit is not applicable for this project, so it is set to '0'. (Not supported)</li> </ul> </li> <li>• Bit B1 – Horizontal Flip <ul style="list-style-type: none"> <li>'0' = Normal display</li> <li>'1' = Flipped display</li> </ul> </li> <li>• Bit B0 – Vertical Flip <ul style="list-style-type: none"> <li>'0' = Normal display</li> <li>'1' = Flipped display</li> </ul> </li> </ul> <p>X = Don't care</p>													Bit	Description	Comment	B7	Page Address Order		B6	Column Address Order		B5	Page/Column Selection		B4	Vertical Order		B3	RGB/BGR Order		B2	Display data latch data order	Set to '0'	B1	Horizontal Flip		B0	Vertical Flip
Bit	Description	Comment																																					
B7	Page Address Order																																						
B6	Column Address Order																																						
B5	Page/Column Selection																																						
B4	Vertical Order																																						
B3	RGB/BGR Order																																						
B2	Display data latch data order	Set to '0'																																					
B1	Horizontal Flip																																						
B0	Vertical Flip																																						

	<table border="1"> <tr> <td>B5</td> <td>B6</td> <td>B7</td> <td>Image in Frame Memory</td> <td>B5</td> <td>B6</td> <td>B7</td> <td>Image in Frame Memory</td> </tr> <tr> <td>0</td> <td>0</td> <td>0</td> <td></td> <td>1</td> <td>0</td> <td>0</td> <td></td> </tr> <tr> <td>0</td> <td>0</td> <td>1</td> <td></td> <td>1</td> <td>0</td> <td>1</td> <td></td> </tr> <tr> <td>0</td> <td>1</td> <td>0</td> <td></td> <td>1</td> <td>1</td> <td>0</td> <td></td> </tr> <tr> <td>0</td> <td>1</td> <td>1</td> <td></td> <td>1</td> <td>1</td> <td>1</td> <td></td> </tr> </table>	B5	B6	B7	Image in Frame Memory	B5	B6	B7	Image in Frame Memory	0	0	0		1	0	0		0	0	1		1	0	1		0	1	0		1	1	0		0	1	1		1	1	1	
B5	B6	B7	Image in Frame Memory	B5	B6	B7	Image in Frame Memory																																		
0	0	0		1	0	0																																			
0	0	1		1	0	1																																			
0	1	0		1	1	0																																			
0	1	1		1	1	1																																			
	<p style="text-align: center;">B3 = 0</p> <p style="text-align: center;">             Memory <span style="display: inline-block; width: 100px;"></span> Sent RGB <span style="display: inline-block; width: 100px;"></span> Display Panel  </p> <p style="text-align: center;">B3 = 1</p> <p style="text-align: center;">             Memory <span style="display: inline-block; width: 100px;"></span> Sent BGR <span style="display: inline-block; width: 100px;"></span> Display Panel  </p>																																								
Restriction																																									
Register Availability	<table border="1"> <thead> <tr> <th>Status</th> <th>Availability</th> </tr> </thead> <tbody> <tr> <td>Normal Mode On, Idle Mode Off, Sleep Out</td> <td>Yes</td> </tr> <tr> <td>Normal Mode On, Idle Mode On, Sleep Out</td> <td>Yes</td> </tr> <tr> <td>Partial Mode On, Idle Mode Off, Sleep Out</td> <td>Yes</td> </tr> <tr> <td>Partial Mode On, Idle Mode On, Sleep Out</td> <td>Yes</td> </tr> <tr> <td>Sleep In</td> <td>Yes</td> </tr> </tbody> </table>	Status	Availability	Normal Mode On, Idle Mode Off, Sleep Out	Yes	Normal Mode On, Idle Mode On, Sleep Out	Yes	Partial Mode On, Idle Mode Off, Sleep Out	Yes	Partial Mode On, Idle Mode On, Sleep Out	Yes	Sleep In	Yes																												
Status	Availability																																								
Normal Mode On, Idle Mode Off, Sleep Out	Yes																																								
Normal Mode On, Idle Mode On, Sleep Out	Yes																																								
Partial Mode On, Idle Mode Off, Sleep Out	Yes																																								
Partial Mode On, Idle Mode On, Sleep Out	Yes																																								
Sleep In	Yes																																								





**8.2.26. Set\_scroll\_start (37h)**

37H	Set_scroll_start												HEX
	D/CX	RDX	WRX	D17-8	D7	D6	D5	D4	D3	D2	D1	D0	
Command	0	1	↑	x	0	0	1	1	0	1	1	1	37
1 <sup>st</sup> Parameter	1	1	↑	x	0	0	0	0	0	0	0	VSP [8]	xx
2 <sup>nd</sup> Parameter	1	1	↑	x	VSP [7]	VSP [6]	VSP [5]	VSP [4]	VSP [3]	VSP [2]	VSP [1]	VSP [0]	xx
Description	<p>This command sets the start of the vertical scrolling area in the frame memory. The vertical scrolling area is fully defined when this command is used with the set_scroll_area command</p> <p>The set_scroll_start command has one parameter, the Vertical Scroll Pointer. The VSP defines the line in the frame memory that is written to the display device as the first line of the vertical scroll area.</p> <p>The displayed image also depends on the setting of the Line Address Order bit, B4, in the set_address_mode register. See the examples below.</p> <p><b>If set_address_mode (R36h) B4 = 0:</b></p> <p>Example: When Top Fixed Area = Bottom Fixed Area = 0, Vertical Scrolling Area = 432 and VSP = 3.</p> <p><b>If set_address_mode (R36h) B4 = 1:</b></p> <p>Example: When Top Fixed Area = Bottom Fixed Area = 00, Vertical Scrolling Area = 432 and VSP='3'.</p> <p>Note: When new Pointer position and Picture Data are sent, the result on the display will happen at the next Panel Scan to avoid tearing effect. VSP refers to the Frame Memory line Pointer.</p>												
	Restriction	<p>Since the value of the Vertical Scrolling Start Address is absolute (with reference to the Frame Memory), it must not enter the fixed area (defined by Vertical Scrolling Definition (33h) – otherwise undesirable image will be displayed on the Panel.</p>											

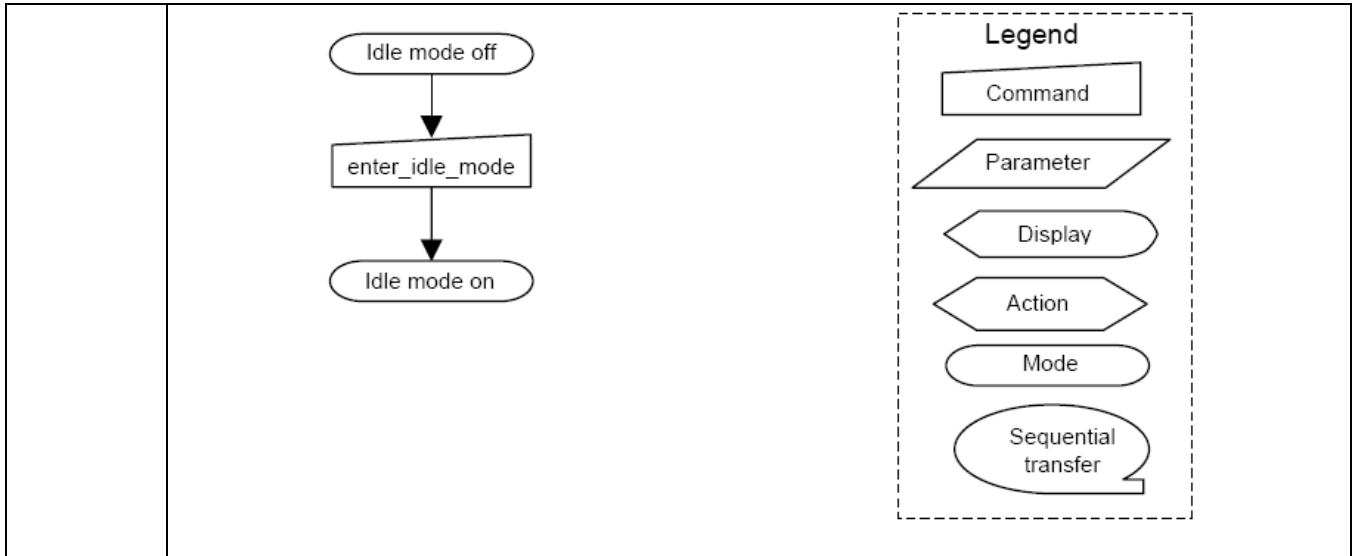
Register Availability	<table border="1"> <thead> <tr> <th>Status</th> <th>Availability</th> </tr> </thead> <tbody> <tr> <td>Normal Mode On, Idle Mode Off, Sleep Out</td> <td>Yes</td> </tr> <tr> <td>Normal Mode On, Idle Mode On, Sleep Out</td> <td>Yes</td> </tr> <tr> <td>Partial Mode On, Idle Mode Off, Sleep Out</td> <td>No</td> </tr> <tr> <td>Partial Mode On, Idle Mode On, Sleep Out</td> <td>No</td> </tr> <tr> <td>Sleep In</td> <td>Yes</td> </tr> </tbody> </table>		Status	Availability	Normal Mode On, Idle Mode Off, Sleep Out	Yes	Normal Mode On, Idle Mode On, Sleep Out	Yes	Partial Mode On, Idle Mode Off, Sleep Out	No	Partial Mode On, Idle Mode On, Sleep Out	No	Sleep In	Yes
	Status	Availability												
	Normal Mode On, Idle Mode Off, Sleep Out	Yes												
	Normal Mode On, Idle Mode On, Sleep Out	Yes												
	Partial Mode On, Idle Mode Off, Sleep Out	No												
	Partial Mode On, Idle Mode On, Sleep Out	No												
Sleep In	Yes													
Default	<table border="1"> <thead> <tr> <th>Status</th> <th>Default Value</th> </tr> </thead> <tbody> <tr> <td>Power On Sequence</td> <td>0000<sub>HEX</sub></td> </tr> <tr> <td>SW Reset</td> <td>0000<sub>HEX</sub></td> </tr> <tr> <td>HW Reset</td> <td>0000<sub>HEX</sub></td> </tr> </tbody> </table>		Status	Default Value	Power On Sequence	0000 <sub>HEX</sub>	SW Reset	0000 <sub>HEX</sub>	HW Reset	0000 <sub>HEX</sub>				
	Status	Default Value												
	Power On Sequence	0000 <sub>HEX</sub>												
	SW Reset	0000 <sub>HEX</sub>												
HW Reset	0000 <sub>HEX</sub>													
Flow Chart	Refer to the description set_scroll_area (33h)													

**8.2.27. Exit\_idle\_mode (38h)**

38H	Exit_idle_mode																								
	D/CX	RDX	WRX	D17-8	D7	D6	D5	D4	D3	D2	D1	D0	HEX												
Command	0	1	↑	x	0	0	1	1	1	0	0	0	38												
Parameter	NO PARAMETER																								
Description	This command causes the display module to exit Idle mode.																								
Restriction	This command has no effect when the display module is not in Idle mode.																								
Register Availability	<table border="1"> <thead> <tr> <th>Status</th> <th>Availability</th> </tr> </thead> <tbody> <tr> <td>Normal Mode On, Idle Mode Off, Sleep Out</td> <td>Yes</td> </tr> <tr> <td>Normal Mode On, Idle Mode On, Sleep Out</td> <td>Yes</td> </tr> <tr> <td>Partial Mode On, Idle Mode Off, Sleep Out</td> <td>Yes</td> </tr> <tr> <td>Partial Mode On, Idle Mode On, Sleep Out</td> <td>Yes</td> </tr> <tr> <td>Sleep In</td> <td>Yes</td> </tr> </tbody> </table>													Status	Availability	Normal Mode On, Idle Mode Off, Sleep Out	Yes	Normal Mode On, Idle Mode On, Sleep Out	Yes	Partial Mode On, Idle Mode Off, Sleep Out	Yes	Partial Mode On, Idle Mode On, Sleep Out	Yes	Sleep In	Yes
Status	Availability																								
Normal Mode On, Idle Mode Off, Sleep Out	Yes																								
Normal Mode On, Idle Mode On, Sleep Out	Yes																								
Partial Mode On, Idle Mode Off, Sleep Out	Yes																								
Partial Mode On, Idle Mode On, Sleep Out	Yes																								
Sleep In	Yes																								
Default	<table border="1"> <thead> <tr> <th>Status</th> <th>Default Value</th> </tr> </thead> <tbody> <tr> <td>Power On Sequence</td> <td>Idle Mode Off</td> </tr> <tr> <td>SW Reset</td> <td>Idle Mode Off</td> </tr> <tr> <td>HW Reset</td> <td>Idle Mode Off</td> </tr> </tbody> </table>													Status	Default Value	Power On Sequence	Idle Mode Off	SW Reset	Idle Mode Off	HW Reset	Idle Mode Off				
Status	Default Value																								
Power On Sequence	Idle Mode Off																								
SW Reset	Idle Mode Off																								
HW Reset	Idle Mode Off																								
Flow Chart	<pre> graph TD     A([Idle mode on]) --&gt; B[/Exit_idle_mode/]     B --&gt; C([Idle mode off])     </pre> <p><b>Legend</b></p> <ul style="list-style-type: none"> <li>Command: Trapezoid</li> <li>Parameter: Parallelogram</li> <li>Display: Display shape</li> <li>Action: Arrow shape</li> <li>Mode: Oval</li> <li>Sequential transfer: Oval with tail</li> </ul>																								

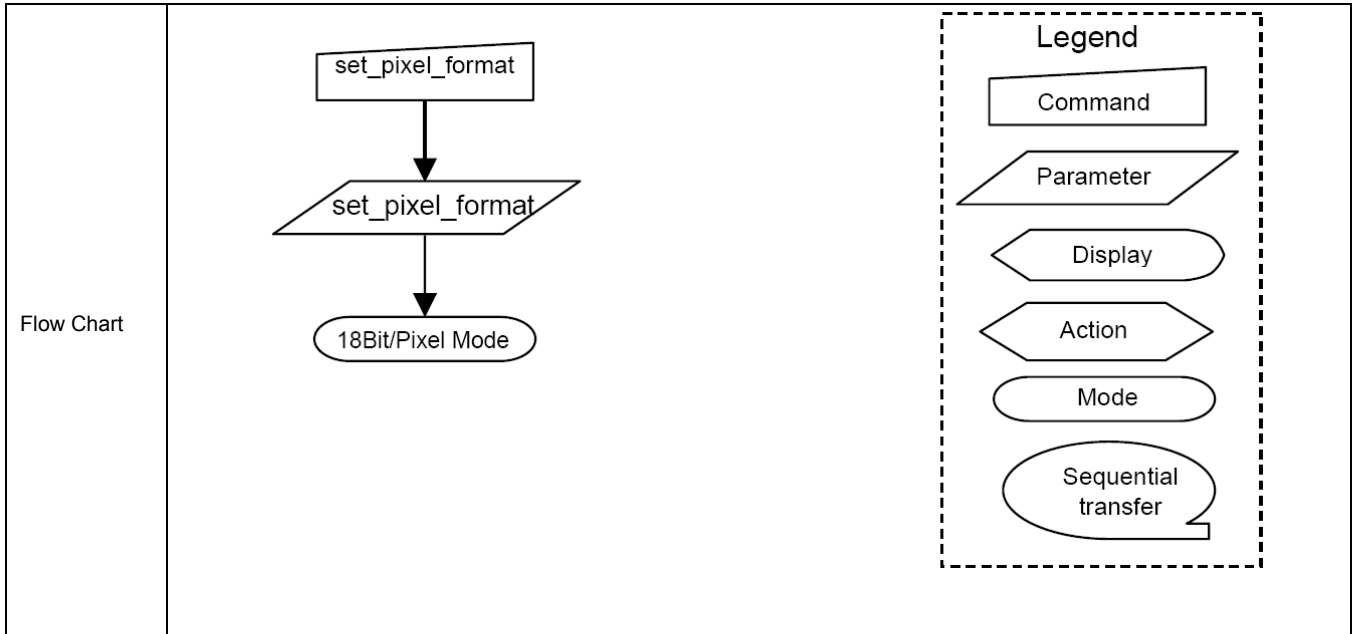
**8.2.28. Enter\_idle\_mode (39h)**

39H	Enter_idle_mode																																																
	D/CX	RDX	WRX	D17-8	D7	D6	D5	D4	D3	D2	D1	D0	HEX																																				
Command	0	1	↑	x	0	0	1	1	1	0	0	1	39																																				
Parameter	NO PARAMETER																																																
Description	<p>This command causes the display module to enter Idle Mode.</p> <p>In Idle Mode, color expression is reduced. Colors are shown on the display device using the MSB of each of the R, G and B color components in the frame memory.</p> <div style="display: flex; justify-content: space-around; align-items: center;"> <div style="text-align: center;"> <p>Memory</p> </div> <div style="font-size: 2em;">→</div> <div style="text-align: center;"> <p>Panel Display</p> </div> </div> <table border="1" style="margin-top: 10px; width: 100%; text-align: center;"> <thead> <tr> <th></th> <th>R5 R4 R3 R2 R1 R0</th> <th>G5 G4 G3 G2 G1 G0</th> <th>B5 B4 B3 B2 B1 B0</th> </tr> </thead> <tbody> <tr> <td>Black</td> <td>0XXXXX</td> <td>0XXXXX</td> <td>0XXXXX</td> </tr> <tr> <td>Blue</td> <td>0XXXXX</td> <td>0XXXXX</td> <td>1XXXXX</td> </tr> <tr> <td>Red</td> <td>1XXXXX</td> <td>0XXXXX</td> <td>0XXXXX</td> </tr> <tr> <td>Magenta</td> <td>1XXXXX</td> <td>0XXXXX</td> <td>1XXXXX</td> </tr> <tr> <td>Green</td> <td>0XXXXX</td> <td>1XXXXX</td> <td>0XXXXX</td> </tr> <tr> <td>Cyan</td> <td>0XXXXX</td> <td>1XXXXX</td> <td>1XXXXX</td> </tr> <tr> <td>Yellow</td> <td>1XXXXX</td> <td>1XXXXX</td> <td>0XXXXX</td> </tr> <tr> <td>White</td> <td>1XXXXX</td> <td>1XXXXX</td> <td>1XXXXX</td> </tr> </tbody> </table>														R5 R4 R3 R2 R1 R0	G5 G4 G3 G2 G1 G0	B5 B4 B3 B2 B1 B0	Black	0XXXXX	0XXXXX	0XXXXX	Blue	0XXXXX	0XXXXX	1XXXXX	Red	1XXXXX	0XXXXX	0XXXXX	Magenta	1XXXXX	0XXXXX	1XXXXX	Green	0XXXXX	1XXXXX	0XXXXX	Cyan	0XXXXX	1XXXXX	1XXXXX	Yellow	1XXXXX	1XXXXX	0XXXXX	White	1XXXXX	1XXXXX	1XXXXX
		R5 R4 R3 R2 R1 R0	G5 G4 G3 G2 G1 G0	B5 B4 B3 B2 B1 B0																																													
Black	0XXXXX	0XXXXX	0XXXXX																																														
Blue	0XXXXX	0XXXXX	1XXXXX																																														
Red	1XXXXX	0XXXXX	0XXXXX																																														
Magenta	1XXXXX	0XXXXX	1XXXXX																																														
Green	0XXXXX	1XXXXX	0XXXXX																																														
Cyan	0XXXXX	1XXXXX	1XXXXX																																														
Yellow	1XXXXX	1XXXXX	0XXXXX																																														
White	1XXXXX	1XXXXX	1XXXXX																																														
Restriction	This command has no effect when module is already in idle on mode.																																																
Register Availability	<table border="1" style="margin-left: auto; margin-right: auto;"> <thead> <tr> <th>Status</th> <th>Availability</th> </tr> </thead> <tbody> <tr> <td>Normal Mode On, Idle Mode Off, Sleep Out</td> <td>Yes</td> </tr> <tr> <td>Normal Mode On, Idle Mode On, Sleep Out</td> <td>Yes</td> </tr> <tr> <td>Partial Mode On, Idle Mode Off, Sleep Out</td> <td>Yes</td> </tr> <tr> <td>Partial Mode On, Idle Mode On, Sleep Out</td> <td>Yes</td> </tr> <tr> <td>Sleep In</td> <td>Yes</td> </tr> </tbody> </table>													Status	Availability	Normal Mode On, Idle Mode Off, Sleep Out	Yes	Normal Mode On, Idle Mode On, Sleep Out	Yes	Partial Mode On, Idle Mode Off, Sleep Out	Yes	Partial Mode On, Idle Mode On, Sleep Out	Yes	Sleep In	Yes																								
Status	Availability																																																
Normal Mode On, Idle Mode Off, Sleep Out	Yes																																																
Normal Mode On, Idle Mode On, Sleep Out	Yes																																																
Partial Mode On, Idle Mode Off, Sleep Out	Yes																																																
Partial Mode On, Idle Mode On, Sleep Out	Yes																																																
Sleep In	Yes																																																
Default	<table border="1" style="margin-left: auto; margin-right: auto;"> <thead> <tr> <th>Status</th> <th>Default Value</th> </tr> </thead> <tbody> <tr> <td>Power On Sequence</td> <td>Idle Mode Off</td> </tr> <tr> <td>SW Reset</td> <td>Idle Mode Off</td> </tr> <tr> <td>HW Reset</td> <td>Idle Mode Off</td> </tr> </tbody> </table>													Status	Default Value	Power On Sequence	Idle Mode Off	SW Reset	Idle Mode Off	HW Reset	Idle Mode Off																												
Status	Default Value																																																
Power On Sequence	Idle Mode Off																																																
SW Reset	Idle Mode Off																																																
HW Reset	Idle Mode Off																																																
Flow Chart																																																	



**8.2.29. Set\_pixel\_format (3Ah)**

3AH	Set_pixel_format																																															
	D/CX	RDX	WRX	D17-8	D7	D6	D5	D4	D3	D2	D1	D0	HEX																																			
Command	0	1	↑	x	0	0	1	1	1	0	1	0	3A																																			
1 <sup>st</sup> Parameter	1	1	↑	x	x	D6	D5	D4	x	D2	D1	D0	66																																			
Description	<p>This command sets the pixel format for the RGB image data used by the interface.</p> <p>Bits D[6:4] – DPI Pixel Format Definition</p> <p>Bits D[2:0] – DBI Pixel Format Definition</p> <p>Bits D7 and D3 are not used.</p> <p>If a particular interface, either DBI or DPI, is not used then the corresponding bits in the parameter are ignored.</p>																																															
	<table border="1"> <thead> <tr> <th>Control Interface Color Format</th> <th>D6/D2</th> <th>D5/D1</th> <th>D4/D0</th> </tr> </thead> <tbody> <tr> <td>Not defined</td> <td>0</td> <td>0</td> <td>0</td> </tr> <tr> <td>3bit/pixel (8 color)</td> <td>0</td> <td>0</td> <td>1</td> </tr> <tr> <td>Not defined</td> <td>0</td> <td>1</td> <td>0</td> </tr> <tr> <td>Not defined</td> <td>0</td> <td>1</td> <td>1</td> </tr> <tr> <td>Not defined</td> <td>1</td> <td>0</td> <td>0</td> </tr> <tr> <td>16bit/pixel (65,536 colors)</td> <td>1</td> <td>0</td> <td>1</td> </tr> <tr> <td>18bit/pixel (262,144 colors)</td> <td>1</td> <td>1</td> <td>0</td> </tr> <tr> <td>Not defined</td> <td>1</td> <td>1</td> <td>1</td> </tr> </tbody> </table>													Control Interface Color Format	D6/D2	D5/D1	D4/D0	Not defined	0	0	0	3bit/pixel (8 color)	0	0	1	Not defined	0	1	0	Not defined	0	1	1	Not defined	1	0	0	16bit/pixel (65,536 colors)	1	0	1	18bit/pixel (262,144 colors)	1	1	0	Not defined	1	1
Control Interface Color Format	D6/D2	D5/D1	D4/D0																																													
Not defined	0	0	0																																													
3bit/pixel (8 color)	0	0	1																																													
Not defined	0	1	0																																													
Not defined	0	1	1																																													
Not defined	1	0	0																																													
16bit/pixel (65,536 colors)	1	0	1																																													
18bit/pixel (262,144 colors)	1	1	0																																													
Not defined	1	1	1																																													
Restriction	There is no visible effect until the Frame Memory is written to.																																															
Register Availability	<table border="1"> <thead> <tr> <th>Status</th> <th>Availability</th> </tr> </thead> <tbody> <tr> <td>Normal Mode On, Idle Mode Off, Sleep Out</td> <td>Yes</td> </tr> <tr> <td>Normal Mode On, Idle Mode On, Sleep Out</td> <td>Yes</td> </tr> <tr> <td>Partial Mode On, Idle Mode Off, Sleep Out</td> <td>Yes</td> </tr> <tr> <td>Partial Mode On, Idle Mode On, Sleep Out</td> <td>Yes</td> </tr> <tr> <td>Sleep In</td> <td>Yes</td> </tr> </tbody> </table>													Status	Availability	Normal Mode On, Idle Mode Off, Sleep Out	Yes	Normal Mode On, Idle Mode On, Sleep Out	Yes	Partial Mode On, Idle Mode Off, Sleep Out	Yes	Partial Mode On, Idle Mode On, Sleep Out	Yes	Sleep In	Yes																							
	Status	Availability																																														
	Normal Mode On, Idle Mode Off, Sleep Out	Yes																																														
	Normal Mode On, Idle Mode On, Sleep Out	Yes																																														
	Partial Mode On, Idle Mode Off, Sleep Out	Yes																																														
	Partial Mode On, Idle Mode On, Sleep Out	Yes																																														
Sleep In	Yes																																															
Default	<table border="1"> <thead> <tr> <th>Status</th> <th>Default Value</th> </tr> </thead> <tbody> <tr> <td>Power On Sequence</td> <td>66<sub>HEX</sub></td> </tr> <tr> <td>SW Reset</td> <td>66<sub>HEX</sub></td> </tr> <tr> <td>HW Reset</td> <td>66<sub>HEX</sub></td> </tr> </tbody> </table>													Status	Default Value	Power On Sequence	66 <sub>HEX</sub>	SW Reset	66 <sub>HEX</sub>	HW Reset	66 <sub>HEX</sub>																											
	Status	Default Value																																														
	Power On Sequence	66 <sub>HEX</sub>																																														
	SW Reset	66 <sub>HEX</sub>																																														
HW Reset	66 <sub>HEX</sub>																																															



### 8.2.30. Write\_Memory\_Continue (3Ch)

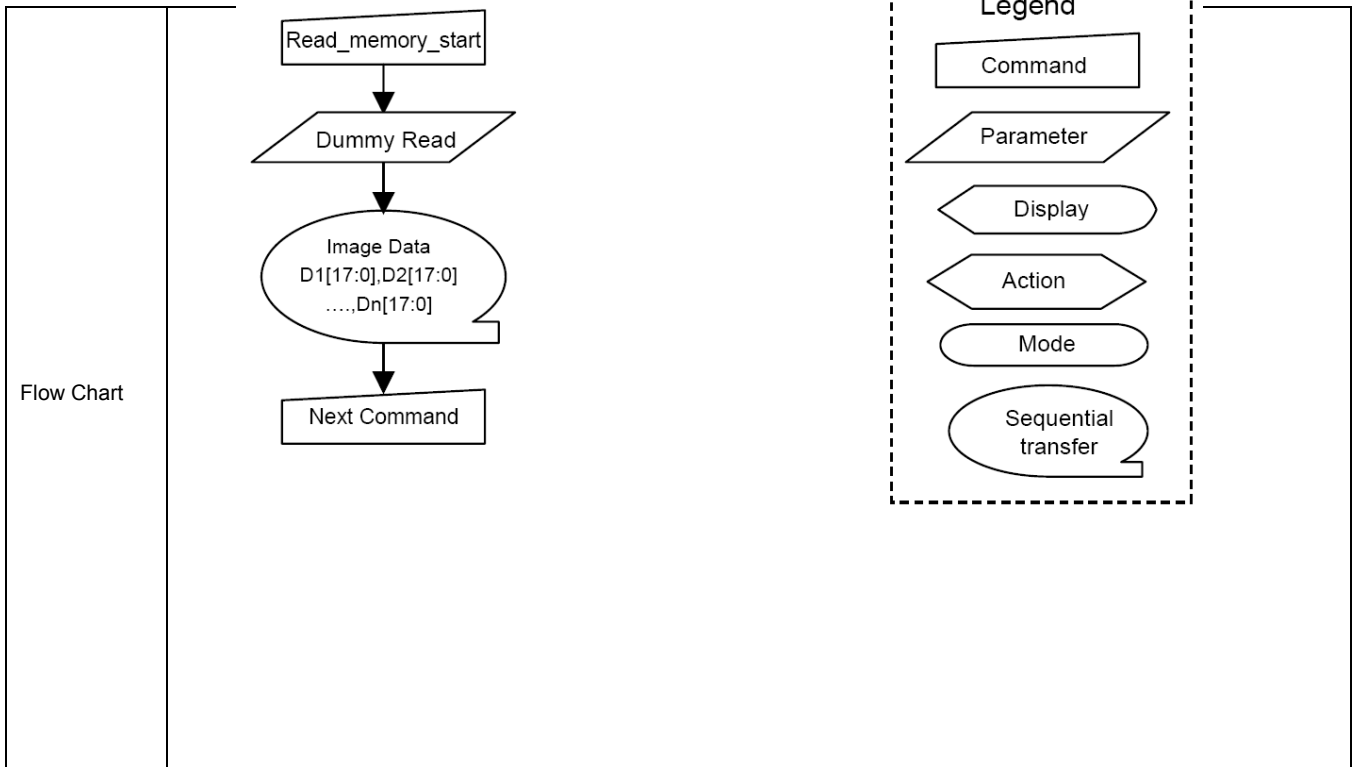
3CH	Write_Memory_Continue												HEX
	D/CX	RDX	WRX	D17-8	D7	D6	D5	D4	D3	D2	D1	D0	
Command	0	1	↑	x	0	0	1	1	1	1	0	0	3C
1 <sup>st</sup> Parameter	1	1	↑	D1 [17..8]	D1 [7]	D1 [6]	D1 [5]	D1 [4]	D1 [3]	D1 [2]	D1 [1]	D1 [0]	000 3FF
x <sup>st</sup> Parameter	1	1	↑	Dx [17..8]	Dx [7]	Dx [6]	Dx [5]	Dx [4]	Dx [3]	Dx [2]	Dx [1]	Dx [0]	000 3FF
N <sup>st</sup> Parameter	1	1	↑	Dn [17..8]	Dn [7]	Dn [6]	Dn [5]	Dn [4]	Dn [3]	Dn [2]	Dn [1]	Dn [0]	000 3FF
Description	<p>This command transfers image data from the host processor to the display module's frame memory continuing from the pixel location following the previous write_memory_continue or write_memory_start command.</p> <p><b>If set_address_mode B5 = 0:</b></p> <p>Data is written continuing from the pixel location after the write range of the previous write_memory_start or write_memory_continue. The column register is then incremented and pixels are written to the frame memory until the column register equals the End Column (EC) value. The column register is then reset to SC and the page register is incremented. Pixels are written to the frame memory until the page register equals the End Page (EP) value and the column register equals the EC value, or the host processor sends another command. If the number of pixels exceeds <math>(EC - SC + 1) * (EP - SP + 1)</math> the extra pixels are ignored.</p> <p><b>If set_address_mode B5 = 1:</b></p> <p>Data is written continuing from the pixel location after the write range of the previous write_memory_start or write_memory_continue. The page register is then incremented and pixels are written to the frame memory until the page register equals the End Page (EP) value. The page register is then reset to SP and the column register is incremented. Pixels are written to the frame memory until the column register equals the End column (EC) value and the page register equals the EP value, or the host processor sends another command. If the number of pixels exceeds <math>(EC - SC + 1) * (EP - SP + 1)</math> the extra pixels are ignored.</p> <p>Sending any other command can stop frame Write.</p> <p>Frame Memory Access and Interface setting (B3h), WEMODE=0 When the transfer number of data exceeds <math>(EC-SC+1)*(EP-SP+1)</math>, the exceeding data will be ignored.</p> <p>Frame Memory Access and Interface setting (B3h), WEMODE=1 When the transfer number of data exceeds <math>(EC-SC+1)*(EP-SP+1)</math>, the column and page number will be reset, and the exceeding data will be written into the following column and page.</p>												
Restriction	<p>A write_memory_start should follow a set_column_address, set_page_address or set_address_mode to define the write address. Otherwise, data written with write_memory_continue is written to undefined addresses.</p>												



Register Availability	<table border="1"> <thead> <tr> <th>Status</th> <th>Availability</th> </tr> </thead> <tbody> <tr> <td>Normal Mode On, Idle Mode Off, Sleep Out</td> <td>Yes</td> </tr> <tr> <td>Normal Mode On, Idle Mode On, Sleep Out</td> <td>Yes</td> </tr> <tr> <td>Partial Mode On, Idle Mode Off, Sleep Out</td> <td>Yes</td> </tr> <tr> <td>Partial Mode On, Idle Mode On, Sleep Out</td> <td>Yes</td> </tr> <tr> <td>Sleep In</td> <td>No</td> </tr> </tbody> </table>	Status	Availability	Normal Mode On, Idle Mode Off, Sleep Out	Yes	Normal Mode On, Idle Mode On, Sleep Out	Yes	Partial Mode On, Idle Mode Off, Sleep Out	Yes	Partial Mode On, Idle Mode On, Sleep Out	Yes	Sleep In	No
Status	Availability												
Normal Mode On, Idle Mode Off, Sleep Out	Yes												
Normal Mode On, Idle Mode On, Sleep Out	Yes												
Partial Mode On, Idle Mode Off, Sleep Out	Yes												
Partial Mode On, Idle Mode On, Sleep Out	Yes												
Sleep In	No												
Default	<table border="1"> <thead> <tr> <th>Status</th> <th>Default Value</th> </tr> </thead> <tbody> <tr> <td>Power On Sequence</td> <td>Random value</td> </tr> <tr> <td>SW Reset</td> <td>No change</td> </tr> <tr> <td>HW Reset</td> <td>No change</td> </tr> </tbody> </table>	Status	Default Value	Power On Sequence	Random value	SW Reset	No change	HW Reset	No change				
Status	Default Value												
Power On Sequence	Random value												
SW Reset	No change												
HW Reset	No change												
Flow Chart	<pre> graph TD     A[Write_memory_continue] --&gt; B((Image Data D1[17:0],D2[17:0] .....,Dn[17:0]))     B --&gt; C[Next Command]     </pre> <p><b>Legend</b></p> <ul style="list-style-type: none"> <li>Command: Rectangle</li> <li>Parameter: Parallelogram</li> <li>Display: Rounded rectangle</li> <li>Action: Pointed rectangle</li> <li>Mode: Oval</li> <li>Sequential transfer: Oval with tail</li> </ul>												

### 8.2.31. Read\_Memory\_Continue (3Eh)

3EH	Read_Memory_Continue																								
	D/CX	RDX	WRX	D17-8	D7	D6	D5	D4	D3	D2	D1	D0	HEX												
Command	0	1	↑	x	0	0	1	1	1	1	1	0	3E												
1 <sup>st</sup> Parameter	1	↑	1	x	x	x	x	x	x	x	x	x	x												
2 <sup>nd</sup> Parameter	1	↑	1	D1 [17..8]	D1 [7]	D1 [6]	D1 [5]	D1 [4]	D1 [3]	D1 [2]	D1 [1]	D1 [0]	000 3FF												
x <sup>st</sup> Parameter	1	↑	1	Dx [17..8]	Dx [7]	Dx [6]	Dx [5]	Dx [4]	Dx [3]	Dx [2]	Dx [1]	Dx [0]	000 3FF												
N <sup>st</sup> Parameter	1	↑	1	Dn [17..8]	Dn [7]	Dn [6]	Dn [5]	Dn [4]	Dn [3]	Dn [2]	Dn [1]	Dn [0]	000 3FF												
Description	<p>This command transfers image data from the display module's frame memory to the host processor continuing from the location following the previous read_memory_continue (3Eh) or read_memory_start (2Eh) command.</p> <p><b>If set_address_mode B5 = 0:</b></p> <p>Pixels are read continuing from the pixel location after the read range of the previous read_memory_start or read_memory_continue. The column register is then incremented and pixels are read from the frame memory until the column register equals the End Column (EC) value. The column register is then reset to SC and the page register is incremented. Pixels are read from the frame memory until the page register equals the End Page (EP) value and the column register equals the EC value, or the host processor sends another command.</p> <p><b>If set_address_mode B5 = 1:</b></p> <p>Pixels are read continuing from the pixel location after the read range of the previous read_memory_start or read_memory_continue. The page register is then incremented and pixels are read from the frame memory until the page register equals the End Page (EP) value. The page register is then reset to SP and the column register is incremented. Pixels are read from the frame memory until the column register equals the End Column (EC) value and the page register equals the EP value, or the host processor sends another command.</p> <p>This command makes no change to the other driver status.</p>																								
Restriction	A read_memory_start should follow a set_column_address, set_page_address or set_address_mode to define the read location. Otherwise, data read with read_memory_continue is undefined.																								
Register Availability	<table border="1"> <thead> <tr> <th>Status</th> <th>Availability</th> </tr> </thead> <tbody> <tr> <td>Normal Mode On, Idle Mode Off, Sleep Out</td> <td>Yes</td> </tr> <tr> <td>Normal Mode On, Idle Mode On, Sleep Out</td> <td>Yes</td> </tr> <tr> <td>Partial Mode On, Idle Mode Off, Sleep Out</td> <td>Yes</td> </tr> <tr> <td>Partial Mode On, Idle Mode On, Sleep Out</td> <td>Yes</td> </tr> <tr> <td>Sleep In</td> <td>Yes</td> </tr> </tbody> </table>													Status	Availability	Normal Mode On, Idle Mode Off, Sleep Out	Yes	Normal Mode On, Idle Mode On, Sleep Out	Yes	Partial Mode On, Idle Mode Off, Sleep Out	Yes	Partial Mode On, Idle Mode On, Sleep Out	Yes	Sleep In	Yes
Status	Availability																								
Normal Mode On, Idle Mode Off, Sleep Out	Yes																								
Normal Mode On, Idle Mode On, Sleep Out	Yes																								
Partial Mode On, Idle Mode Off, Sleep Out	Yes																								
Partial Mode On, Idle Mode On, Sleep Out	Yes																								
Sleep In	Yes																								
Default	<table border="1"> <thead> <tr> <th>Status</th> <th>Default Value</th> </tr> </thead> <tbody> <tr> <td>Power On Sequence</td> <td>Random data</td> </tr> <tr> <td>SW Reset</td> <td>No change</td> </tr> <tr> <td>HW Reset</td> <td>No change</td> </tr> </tbody> </table>													Status	Default Value	Power On Sequence	Random data	SW Reset	No change	HW Reset	No change				
Status	Default Value																								
Power On Sequence	Random data																								
SW Reset	No change																								
HW Reset	No change																								



**8.2.32. Set\_Tear\_Scanline (44h)**

44H	Set_Tear_Scanline												HEX												
	D/CX	RDX	WRX	D17-8	D7	D6	D5	D4	D3	D2	D1	D0													
Command	0	1	↑	x	0	1	0	0	0	1	0	0	44												
1 <sup>st</sup> Parameter	1	1	↑	xx	0	0	0	0	0	0	0	STS [8]	0x												
2 <sup>nd</sup> Parameter	1	1	↑	xx	STS [7]	STS [6]	STS [5]	STS [4]	STS [3]	STS [2]	STS [1]	STS [0]	xx												
Description	<p>This command turns on the display Tearing Effect output signal on the TE signal line when the display reaches line N. The TE signal is not affected by changing set_address_mode bit B4. The Tearing Effect Line On has one parameter that describes the Tearing Effect Output Line mode.</p> <p>The Tearing Effect Output line shall be active low when the display module is in Sleep mode.</p>																								
Restriction	-																								
Register Availability	<table border="1"> <thead> <tr> <th>Status</th> <th>Availability</th> </tr> </thead> <tbody> <tr> <td>Normal Mode On, Idle Mode Off, Sleep Out</td> <td>Yes</td> </tr> <tr> <td>Normal Mode On, Idle Mode On, Sleep Out</td> <td>Yes</td> </tr> <tr> <td>Partial Mode On, Idle Mode Off, Sleep Out</td> <td>Yes</td> </tr> <tr> <td>Partial Mode On, Idle Mode On, Sleep Out</td> <td>Yes</td> </tr> <tr> <td>Sleep In</td> <td>Yes</td> </tr> </tbody> </table>													Status	Availability	Normal Mode On, Idle Mode Off, Sleep Out	Yes	Normal Mode On, Idle Mode On, Sleep Out	Yes	Partial Mode On, Idle Mode Off, Sleep Out	Yes	Partial Mode On, Idle Mode On, Sleep Out	Yes	Sleep In	Yes
Status	Availability																								
Normal Mode On, Idle Mode Off, Sleep Out	Yes																								
Normal Mode On, Idle Mode On, Sleep Out	Yes																								
Partial Mode On, Idle Mode Off, Sleep Out	Yes																								
Partial Mode On, Idle Mode On, Sleep Out	Yes																								
Sleep In	Yes																								

Default	<table border="1"> <thead> <tr> <th>Status</th> <th>Default Value</th> </tr> </thead> <tbody> <tr> <td>Power On Sequence</td> <td>00<sub>HEX</sub></td> </tr> <tr> <td>SW Reset</td> <td>00<sub>HEX</sub></td> </tr> <tr> <td>HW Reset</td> <td>00<sub>HEX</sub></td> </tr> </tbody> </table>	Status	Default Value	Power On Sequence	00 <sub>HEX</sub>	SW Reset	00 <sub>HEX</sub>	HW Reset	00 <sub>HEX</sub>
Status	Default Value								
Power On Sequence	00 <sub>HEX</sub>								
SW Reset	00 <sub>HEX</sub>								
HW Reset	00 <sub>HEX</sub>								
Flow Chart	<pre> graph TD     Start([TE Output On or Off]) --&gt; Command[set_tear_scanline]     Command --&gt; Param1[/Send 1st parameter STS[8]/]     Param1 --&gt; Param2[/Send 2nd parameter STS[7:0]/]     Param2 --&gt; End([TE Output On the Nth line])     </pre> <p><b>Legend</b></p> <ul style="list-style-type: none"> <li>Command</li> <li>Parameter</li> <li>Display</li> <li>Action</li> <li>Mode</li> <li>Sequential transfer</li> </ul>								

**8.2.33. Get\_Scanline (45h)**

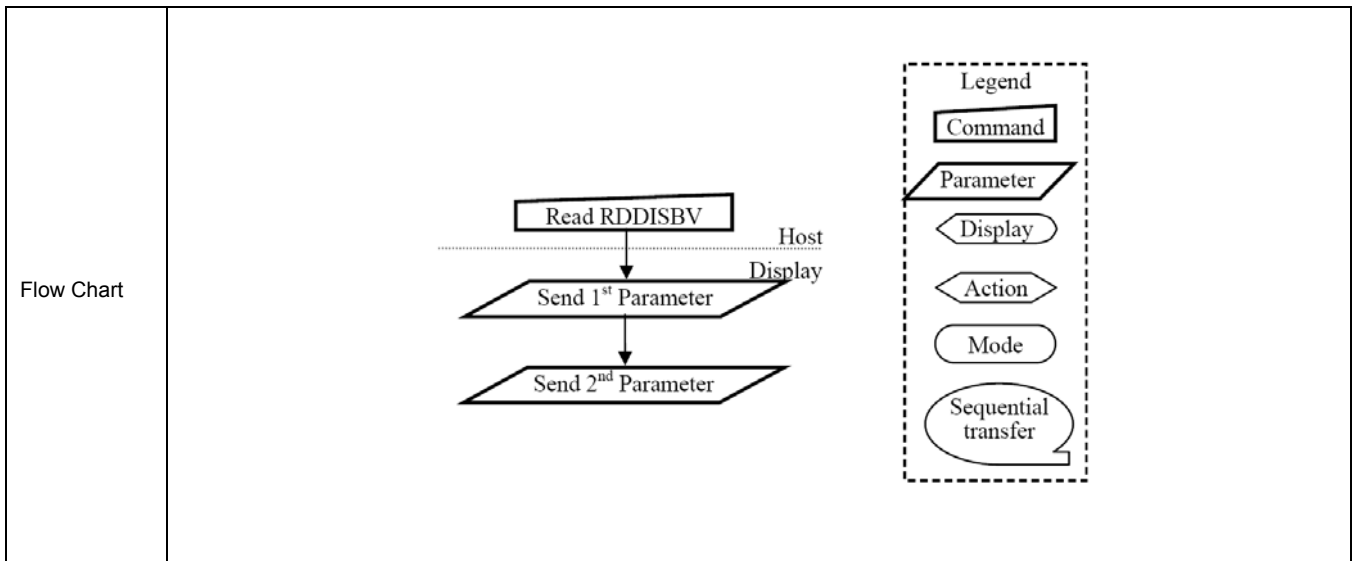
45H	Get_Scanline																								
	D/CX	RDX	WRX	D17-8	D7	D6	D5	D4	D3	D2	D1	D0	HEX												
Command	0	1	↑	x	0	1	0	0	0	1	0	1	45												
1 <sup>st</sup> Parameter	1	↑	1	x	x	x	x	x	x	x	x	x	x												
2 <sup>nd</sup> Parameter	1	↑	1	xx	0	0	0	0	0	0	0	GTS [8]	0x												
3 <sup>rd</sup> Parameter	1	↑	1	xx	GTS [7]	GTS [6]	GTS [5]	GTS [4]	GTS [3]	GTS [2]	GTS [1]	GTS [0]	xx												
Description	<p>The display returns the current scan line, N, used to update the display device. The total number of scan lines on a display device is defined as VSYNC + VBP + VACT + VFP. The first scan line is defined as the first line of V-Sync and is denoted as Line 0.</p> <p>When in Sleep Mode, the value returned by get_scanline is undefined.</p>																								
Restriction	None																								
Register Availability	<table border="1"> <thead> <tr> <th>Status</th> <th>Availability</th> </tr> </thead> <tbody> <tr> <td>Normal Mode On, Idle Mode Off, Sleep Out</td> <td>Yes</td> </tr> <tr> <td>Normal Mode On, Idle Mode On, Sleep Out</td> <td>Yes</td> </tr> <tr> <td>Partial Mode On, Idle Mode Off, Sleep Out</td> <td>Yes</td> </tr> <tr> <td>Partial Mode On, Idle Mode On, Sleep Out</td> <td>Yes</td> </tr> <tr> <td>Sleep In</td> <td>Yes</td> </tr> </tbody> </table>													Status	Availability	Normal Mode On, Idle Mode Off, Sleep Out	Yes	Normal Mode On, Idle Mode On, Sleep Out	Yes	Partial Mode On, Idle Mode Off, Sleep Out	Yes	Partial Mode On, Idle Mode On, Sleep Out	Yes	Sleep In	Yes
Status	Availability																								
Normal Mode On, Idle Mode Off, Sleep Out	Yes																								
Normal Mode On, Idle Mode On, Sleep Out	Yes																								
Partial Mode On, Idle Mode Off, Sleep Out	Yes																								
Partial Mode On, Idle Mode On, Sleep Out	Yes																								
Sleep In	Yes																								
Default	<table border="1"> <thead> <tr> <th>Status</th> <th>Default Value</th> </tr> </thead> <tbody> <tr> <td>Power On Sequence</td> <td>00<sub>HEX</sub></td> </tr> <tr> <td>SW Reset</td> <td>00<sub>HEX</sub></td> </tr> <tr> <td>HW Reset</td> <td>00<sub>HEX</sub></td> </tr> </tbody> </table>													Status	Default Value	Power On Sequence	00 <sub>HEX</sub>	SW Reset	00 <sub>HEX</sub>	HW Reset	00 <sub>HEX</sub>				
Status	Default Value																								
Power On Sequence	00 <sub>HEX</sub>																								
SW Reset	00 <sub>HEX</sub>																								
HW Reset	00 <sub>HEX</sub>																								
Flow Chart	<pre> graph TD     A[get_scanline] --&gt; B[/Wait 3us/]     B --&gt; C[/Dummy Read/]     C --&gt; D[/Send 1st parameter GTS[9:8]/]     D --&gt; E[/Send 2nd parameter GTS[7:0]/]     </pre>																								

### 8.2.34. Write Display Brightness (51h)

51H	WRDISBV (Write Display Brightness)																								
	D/CX	RDX	WRX	D17-8	D7	D6	D5	D4	D3	D2	D1	D0	HEX												
Command	0	1	↑	x	0	1	0	1	0	0	0	1	51												
1 <sup>st</sup> Parameter	1	↑	1	xx	DBV [7]	DBV [6]	DBV [5]	DBV [4]	DBV [3]	DBV [2]	DBV [1]	DBV [0]	00 .. FF												
Description	<p>This command is used to adjust the brightness value of the display.</p> <p>It should be checked what is the relationship between this written value and output brightness of the display. This relationship is defined on the display module specification.</p> <p>In principle relationship is that 00h value means the lowest brightness and FFh value means the highest brightness.</p>																								
Restriction	None																								
Register Availability	<table border="1"> <thead> <tr> <th>Status</th> <th>Availability</th> </tr> </thead> <tbody> <tr> <td>Normal Mode On, Idle Mode Off, Sleep Out</td> <td>Yes</td> </tr> <tr> <td>Normal Mode On, Idle Mode On, Sleep Out</td> <td>Yes</td> </tr> <tr> <td>Partial Mode On, Idle Mode Off, Sleep Out</td> <td>Yes</td> </tr> <tr> <td>Partial Mode On, Idle Mode On, Sleep Out</td> <td>Yes</td> </tr> <tr> <td>Sleep In</td> <td>Yes</td> </tr> </tbody> </table>													Status	Availability	Normal Mode On, Idle Mode Off, Sleep Out	Yes	Normal Mode On, Idle Mode On, Sleep Out	Yes	Partial Mode On, Idle Mode Off, Sleep Out	Yes	Partial Mode On, Idle Mode On, Sleep Out	Yes	Sleep In	Yes
Status	Availability																								
Normal Mode On, Idle Mode Off, Sleep Out	Yes																								
Normal Mode On, Idle Mode On, Sleep Out	Yes																								
Partial Mode On, Idle Mode Off, Sleep Out	Yes																								
Partial Mode On, Idle Mode On, Sleep Out	Yes																								
Sleep In	Yes																								
Default	<table border="1"> <thead> <tr> <th>Status</th> <th>Default Value</th> </tr> </thead> <tbody> <tr> <td>Power On Sequence</td> <td>00<sub>HEX</sub></td> </tr> <tr> <td>SW Reset</td> <td>00<sub>HEX</sub></td> </tr> <tr> <td>HW Reset</td> <td>00<sub>HEX</sub></td> </tr> </tbody> </table>													Status	Default Value	Power On Sequence	00 <sub>HEX</sub>	SW Reset	00 <sub>HEX</sub>	HW Reset	00 <sub>HEX</sub>				
Status	Default Value																								
Power On Sequence	00 <sub>HEX</sub>																								
SW Reset	00 <sub>HEX</sub>																								
HW Reset	00 <sub>HEX</sub>																								
Flow Chart	<pre> graph TD     A[WRDISBV] --&gt; B[/DBV[7..0]/]     B --&gt; C{{New Display Brightness Value Loaded}}     </pre> <p>Legend:</p> <ul style="list-style-type: none"> <li>Command: Rectangle</li> <li>Parameter: Parallelogram</li> <li>Display: Hexagon</li> <li>Action: Pentagon</li> <li>Mode: Oval</li> <li>Sequential transfer: Dashed line</li> </ul>																								

### 8.2.35. Read Display Brightness (52h)

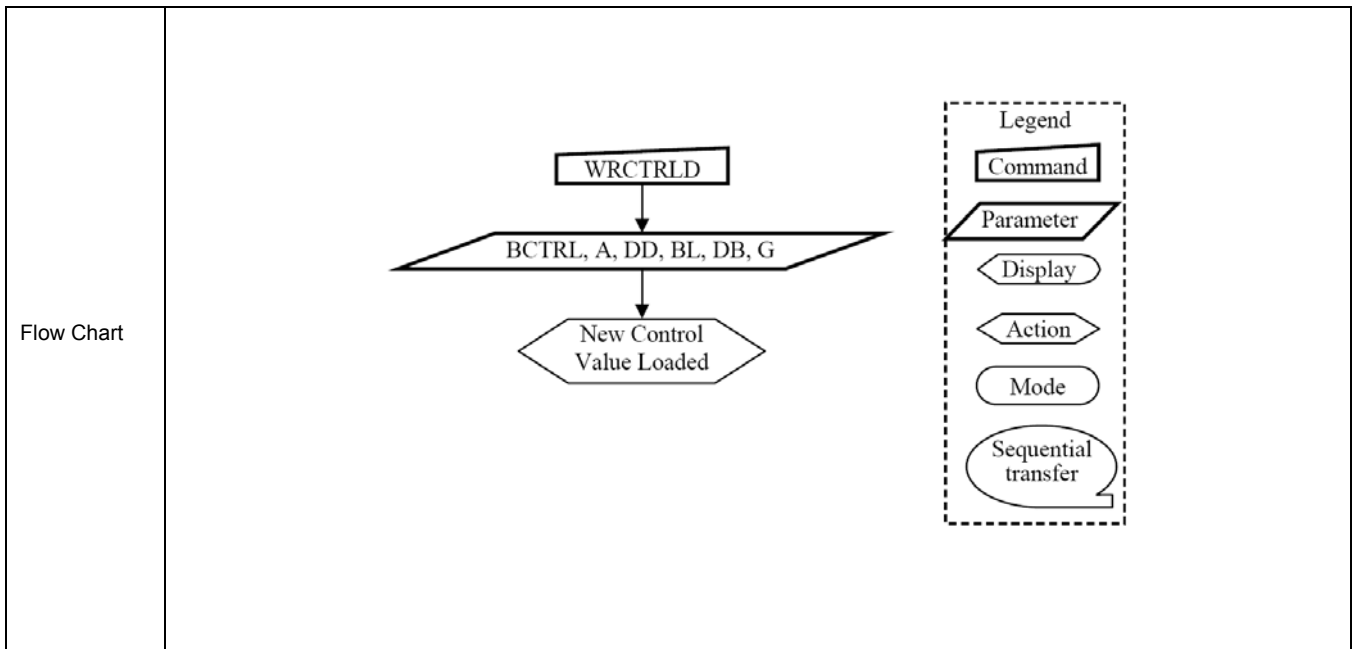
52H	RDDISBV (Read Display Brightness Value)																								
	D/CX	RDX	WRX	D17-8	D7	D6	D5	D4	D3	D2	D1	D0	HEX												
Command	0	1	↑	x	0	1	0	1	0	0	1	0	52												
1 <sup>st</sup> Parameter	1	↑	1	xx	x	x	x	x	x	x	x	x	x												
2 <sup>nd</sup> Parameter	1	↑	1	xx	DBV [7]	DBV [6]	DBV [5]	DBV [4]	DBV [3]	DBV [2]	DBV [1]	DBV [0]	xx												
Description	<p>This command returns the brightness value of the display.</p> <p>It should be checked what the relationship between this returned value and output brightness of the display. This relationship is defined on the display module specification.</p> <p>In principle the relationship is that 00h value means the lowest brightness and FFh value means the highest brightness.</p> <p>This command can be used to read the brightness value of the display also when Display brightness control is in automatic mode.</p> <p>Write CTRL Display (53h)" bit DB = '1'.</p> <p>DBV[7:0] is reset when display is in sleep-in mode.</p> <p>DBV[7:0] is '0' when bit BCTRL of "Write CTRL Display (53h)" command is '0'.</p> <p>DBV[7:0] is manual set brightness specified with "Write CTRL Display (53h)" command when bit BCTRL is '1' and bit A of "Write CTRL Display (53h)" command is '0'.</p>																								
Restriction	<p>The display module is sending 2<sup>nd</sup> parameter value on the data lines if the MCU wants to read more than one parameter (= more than 2 RDX cycle) on DBI Mode.</p> <p>Only 2<sup>nd</sup> parameter is sent on DSI (The 1st parameter is not sent).</p>																								
Register Availability	<table border="1"> <thead> <tr> <th>Status</th> <th>Availability</th> </tr> </thead> <tbody> <tr> <td>Normal Mode On, Idle Mode Off, Sleep Out</td> <td>Yes</td> </tr> <tr> <td>Normal Mode On, Idle Mode On, Sleep Out</td> <td>Yes</td> </tr> <tr> <td>Partial Mode On, Idle Mode Off, Sleep Out</td> <td>Yes</td> </tr> <tr> <td>Partial Mode On, Idle Mode On, Sleep Out</td> <td>Yes</td> </tr> <tr> <td>Sleep In</td> <td>Yes</td> </tr> </tbody> </table>													Status	Availability	Normal Mode On, Idle Mode Off, Sleep Out	Yes	Normal Mode On, Idle Mode On, Sleep Out	Yes	Partial Mode On, Idle Mode Off, Sleep Out	Yes	Partial Mode On, Idle Mode On, Sleep Out	Yes	Sleep In	Yes
Status	Availability																								
Normal Mode On, Idle Mode Off, Sleep Out	Yes																								
Normal Mode On, Idle Mode On, Sleep Out	Yes																								
Partial Mode On, Idle Mode Off, Sleep Out	Yes																								
Partial Mode On, Idle Mode On, Sleep Out	Yes																								
Sleep In	Yes																								
Default	<table border="1"> <thead> <tr> <th>Status</th> <th>Default Value</th> </tr> </thead> <tbody> <tr> <td>Power On Sequence</td> <td>00<sub>HEX</sub></td> </tr> <tr> <td>SW Reset</td> <td>00<sub>HEX</sub></td> </tr> <tr> <td>HW Reset</td> <td>00<sub>HEX</sub></td> </tr> </tbody> </table>													Status	Default Value	Power On Sequence	00 <sub>HEX</sub>	SW Reset	00 <sub>HEX</sub>	HW Reset	00 <sub>HEX</sub>				
Status	Default Value																								
Power On Sequence	00 <sub>HEX</sub>																								
SW Reset	00 <sub>HEX</sub>																								
HW Reset	00 <sub>HEX</sub>																								





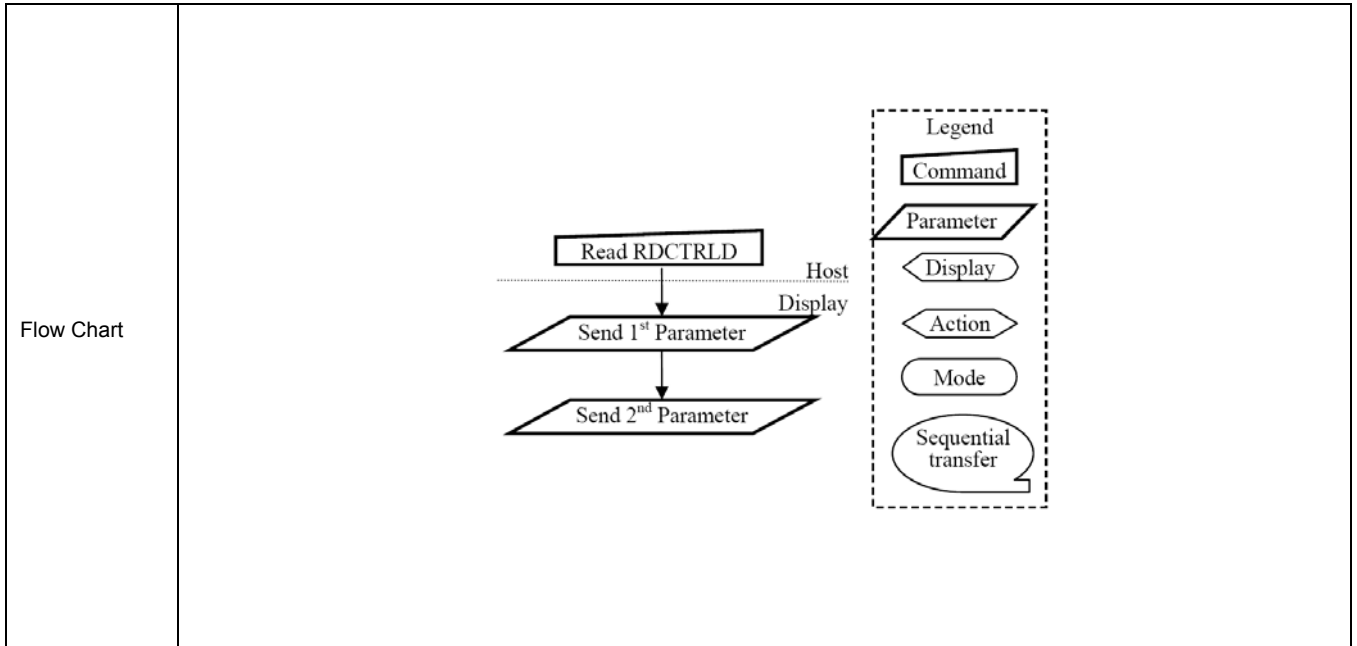
**8.2.36. Write CTRL Display (53h)**

53H	WRCTRLD (Write Control Display)																								
	D/CX	RDX	WRX	D17-8	D7	D6	D5	D4	D3	D2	D1	D0	HEX												
Command	0	1	↑	x	0	1	0	1	0	0	1	1	53												
1 <sup>st</sup> Parameter	1	↑	1	xx	0	0	BCTRL	0	DD	BL	0	0	xx												
Description	<p>This command is used to control display brightness.</p> <p>BCTRL: Brightness Control Block On/Off, This bit is always used to switch brightness for display.</p> <p>0 = Off (Brightness registers are 00h, DBV[7..0])</p> <p>1 = On (Brightness registers are active, according to the other parameters.)</p> <p>Display Dimming (DD): (Only for manual brightness setting)</p> <p>DD = 0: Display Dimming is off</p> <p>DD = 1: Display Dimming is on</p> <p>BL: Backlight Control On/Off</p> <p>0 = Off (Completely turn off backlight circuit. Control lines must be low. )</p> <p>1 = On</p> <p>Dimming function is adapted to the brightness registers for display when bit BCTRL is changed at DD=1, e.g. BCTRL: 0 → 1 or 1 → 0.</p> <p>When BL bit change from “On” to “Off”, backlight is turned off without gradual dimming, even if dimming-on (DD=1) are selected.</p>																								
Restriction	None																								
Register Availability	<table border="1"> <thead> <tr> <th>Status</th> <th>Availability</th> </tr> </thead> <tbody> <tr> <td>Normal Mode On, Idle Mode Off, Sleep Out</td> <td>Yes</td> </tr> <tr> <td>Normal Mode On, Idle Mode On, Sleep Out</td> <td>Yes</td> </tr> <tr> <td>Partial Mode On, Idle Mode Off, Sleep Out</td> <td>Yes</td> </tr> <tr> <td>Partial Mode On, Idle Mode On, Sleep Out</td> <td>Yes</td> </tr> <tr> <td>Sleep In</td> <td>Yes</td> </tr> </tbody> </table>													Status	Availability	Normal Mode On, Idle Mode Off, Sleep Out	Yes	Normal Mode On, Idle Mode On, Sleep Out	Yes	Partial Mode On, Idle Mode Off, Sleep Out	Yes	Partial Mode On, Idle Mode On, Sleep Out	Yes	Sleep In	Yes
Status	Availability																								
Normal Mode On, Idle Mode Off, Sleep Out	Yes																								
Normal Mode On, Idle Mode On, Sleep Out	Yes																								
Partial Mode On, Idle Mode Off, Sleep Out	Yes																								
Partial Mode On, Idle Mode On, Sleep Out	Yes																								
Sleep In	Yes																								
Default	<table border="1"> <thead> <tr> <th>Status</th> <th>Default Value</th> </tr> </thead> <tbody> <tr> <td>Power On Sequence</td> <td>BCTRL=0, DD=0, BL=0</td> </tr> <tr> <td>SW Reset</td> <td>BCTRL=0, DD=0, BL=0</td> </tr> <tr> <td>HW Reset</td> <td>BCTRL=0, DD=0, BL=0</td> </tr> </tbody> </table>													Status	Default Value	Power On Sequence	BCTRL=0, DD=0, BL=0	SW Reset	BCTRL=0, DD=0, BL=0	HW Reset	BCTRL=0, DD=0, BL=0				
Status	Default Value																								
Power On Sequence	BCTRL=0, DD=0, BL=0																								
SW Reset	BCTRL=0, DD=0, BL=0																								
HW Reset	BCTRL=0, DD=0, BL=0																								



**8.2.37. Read CTRL Display (54h)**

54H	RDCTRLD (Read Control Display)																								
	D/CX	RDX	WRX	D17-8	D7	D6	D5	D4	D3	D2	D1	D0	HEX												
Command	0	1	↑	x	0	1	0	1	0	1	0	0	54												
1 <sup>st</sup> Parameter	1	↑	1	xx	x	x	x	x	x	x	x	x	xx												
2 <sup>nd</sup> Parameter	1	↑	1	xx	0	0	BCTRL	0	DD	BL	0	0	xx												
Description	<p>This command is used to return brightness setting.</p> <p>BCTRL: Brightness Control Block On/Off,            '0' = Off (Brightness registers are 00h)            '1' = On (Brightness registers are active, according to the DBV[7..0] parameters.)</p> <p>DD: Display Dimming            '0' = Display Dimming is off            '1' = Display Dimming is on</p> <p>BL: Backlight On/Off            '0' = Off (Completely turn off backlight circuit. Control lines must be low. )            '1' = On</p>																								
Restriction	<p>The display module is sending 2nd parameter value on the data lines if the MCU wants to read more than one parameter (= more than 2 RDX cycle) on DBI.</p> <p>Only 2nd parameter is sent on DSI (The 1st parameter is not sent).</p>																								
Register Availability	<table border="1"> <thead> <tr> <th>Status</th> <th>Availability</th> </tr> </thead> <tbody> <tr> <td>Normal Mode On, Idle Mode Off, Sleep Out</td> <td>Yes</td> </tr> <tr> <td>Normal Mode On, Idle Mode On, Sleep Out</td> <td>Yes</td> </tr> <tr> <td>Partial Mode On, Idle Mode Off, Sleep Out</td> <td>Yes</td> </tr> <tr> <td>Partial Mode On, Idle Mode On, Sleep Out</td> <td>Yes</td> </tr> <tr> <td>Sleep In</td> <td>Yes</td> </tr> </tbody> </table>													Status	Availability	Normal Mode On, Idle Mode Off, Sleep Out	Yes	Normal Mode On, Idle Mode On, Sleep Out	Yes	Partial Mode On, Idle Mode Off, Sleep Out	Yes	Partial Mode On, Idle Mode On, Sleep Out	Yes	Sleep In	Yes
Status	Availability																								
Normal Mode On, Idle Mode Off, Sleep Out	Yes																								
Normal Mode On, Idle Mode On, Sleep Out	Yes																								
Partial Mode On, Idle Mode Off, Sleep Out	Yes																								
Partial Mode On, Idle Mode On, Sleep Out	Yes																								
Sleep In	Yes																								
Default	<table border="1"> <thead> <tr> <th>Status</th> <th>Default Value</th> </tr> </thead> <tbody> <tr> <td>Power On Sequence</td> <td>BCTRL=0, DD=0, BL=0, DB=0</td> </tr> <tr> <td>SW Reset</td> <td>BCTRL=0, DD=0, BL=0, DB=0</td> </tr> <tr> <td>HW Reset</td> <td>BCTRL=0, DD=0, BL=0, DB=0</td> </tr> </tbody> </table>													Status	Default Value	Power On Sequence	BCTRL=0, DD=0, BL=0, DB=0	SW Reset	BCTRL=0, DD=0, BL=0, DB=0	HW Reset	BCTRL=0, DD=0, BL=0, DB=0				
Status	Default Value																								
Power On Sequence	BCTRL=0, DD=0, BL=0, DB=0																								
SW Reset	BCTRL=0, DD=0, BL=0, DB=0																								
HW Reset	BCTRL=0, DD=0, BL=0, DB=0																								



**8.2.38. Write Content Adaptive Brightness Control (55h)**

55H	WRCABC (Write Content Adaptive Brightness Control)																								
	D/CX	RDX	WRX	D17-8	D7	D6	D5	D4	D3	D2	D1	D0	HEX												
Command	0	1	↑	x	0	1	0	1	0	1	0	1	55												
1 <sup>st</sup> Parameter	1	↑	1	xx	0	0	0	0	0	0	C[1]	C[0]	xx												
Description	<p>This command is used to set parameters for image content based adaptive brightness control functionality.</p> <p>There is possible to use 4 different modes for content adaptive image functionality, which are defined on a table below.</p> <table border="1" style="margin-left: auto; margin-right: auto;"> <thead> <tr> <th>C[1:0]</th> <th>Default Value</th> </tr> </thead> <tbody> <tr> <td>2'b00</td> <td>Off</td> </tr> <tr> <td>2'b01</td> <td>User Interface Image</td> </tr> <tr> <td>2'b10</td> <td>Still Picture</td> </tr> <tr> <td>2'b11</td> <td>Moving Image</td> </tr> </tbody> </table>													C[1:0]	Default Value	2'b00	Off	2'b01	User Interface Image	2'b10	Still Picture	2'b11	Moving Image		
C[1:0]	Default Value																								
2'b00	Off																								
2'b01	User Interface Image																								
2'b10	Still Picture																								
2'b11	Moving Image																								
Restriction	None																								
Register Availability	<table border="1" style="margin-left: auto; margin-right: auto;"> <thead> <tr> <th>Status</th> <th>Availability</th> </tr> </thead> <tbody> <tr> <td>Normal Mode On, Idle Mode Off, Sleep Out</td> <td>Yes</td> </tr> <tr> <td>Normal Mode On, Idle Mode On, Sleep Out</td> <td>Yes</td> </tr> <tr> <td>Partial Mode On, Idle Mode Off, Sleep Out</td> <td>Yes</td> </tr> <tr> <td>Partial Mode On, Idle Mode On, Sleep Out</td> <td>Yes</td> </tr> <tr> <td>Sleep In</td> <td>Yes</td> </tr> </tbody> </table>													Status	Availability	Normal Mode On, Idle Mode Off, Sleep Out	Yes	Normal Mode On, Idle Mode On, Sleep Out	Yes	Partial Mode On, Idle Mode Off, Sleep Out	Yes	Partial Mode On, Idle Mode On, Sleep Out	Yes	Sleep In	Yes
Status	Availability																								
Normal Mode On, Idle Mode Off, Sleep Out	Yes																								
Normal Mode On, Idle Mode On, Sleep Out	Yes																								
Partial Mode On, Idle Mode Off, Sleep Out	Yes																								
Partial Mode On, Idle Mode On, Sleep Out	Yes																								
Sleep In	Yes																								
Default	<table border="1" style="margin-left: auto; margin-right: auto;"> <thead> <tr> <th>Status</th> <th>Default Value</th> </tr> </thead> <tbody> <tr> <td>Power On Sequence</td> <td>C[1:0]=00<sub>HEX</sub></td> </tr> <tr> <td>SW Reset</td> <td>C[1:0]=00<sub>HEX</sub></td> </tr> <tr> <td>HW Reset</td> <td>C[1:0]=00<sub>HEX</sub></td> </tr> </tbody> </table>													Status	Default Value	Power On Sequence	C[1:0]=00 <sub>HEX</sub>	SW Reset	C[1:0]=00 <sub>HEX</sub>	HW Reset	C[1:0]=00 <sub>HEX</sub>				
Status	Default Value																								
Power On Sequence	C[1:0]=00 <sub>HEX</sub>																								
SW Reset	C[1:0]=00 <sub>HEX</sub>																								
HW Reset	C[1:0]=00 <sub>HEX</sub>																								
Flow Chart	<div style="display: flex; align-items: center; justify-content: center;"> <div style="text-align: center;"> <pre> graph TD     WRCABC[WRCABC] --&gt; Param[/1<sup>st</sup> parameter: C[1:0]/]     Param --&gt; Mode{{New Adaptive Image Mode}}                     </pre> </div> <div style="margin-left: 20px; border: 1px dashed black; padding: 5px;"> <p>Legend</p> <ul style="list-style-type: none"> <li>Command: [ ]</li> <li>Parameter: / /</li> <li>Display: &lt; &gt;</li> <li>Action: &lt; &gt;</li> <li>Mode: ( )</li> <li>Sequential transfer: ( )</li> </ul> </div> </div>																								

**8.2.39. Read Content Adaptive Brightness Control (56h)**

56H	RDCABC (Read Content Adaptive Brightness Control)												HEX												
	D/CX	RDX	WRX	D17-8	D7	D6	D5	D4	D3	D2	D1	D0													
Command	0	1	↑	x	0	1	0	1	0	1	1	0	56												
1 <sup>st</sup> Parameter	1	↑	1	xx	x	x	x	x	x	x	x	x	xx												
2 <sup>nd</sup> Parameter	1	↑	1	xx	0	0	0	0	0	0	C[1]	C[0]	xx												
Description	<p>This command is used to read the settings for image content based adaptive brightness control functionality.</p> <p>It is possible to use 4 different modes for content adaptive image functionality, which are defined on a table below.</p> <table border="1" style="margin-left: auto; margin-right: auto;"> <thead> <tr> <th>C[1:0]</th> <th>Default Value</th> </tr> </thead> <tbody> <tr> <td>2'b00</td> <td>Off</td> </tr> <tr> <td>2'b01</td> <td>User Interface Image</td> </tr> <tr> <td>2'b10</td> <td>Still Picture</td> </tr> <tr> <td>2'b11</td> <td>Moving Image</td> </tr> </tbody> </table>													C[1:0]	Default Value	2'b00	Off	2'b01	User Interface Image	2'b10	Still Picture	2'b11	Moving Image		
C[1:0]	Default Value																								
2'b00	Off																								
2'b01	User Interface Image																								
2'b10	Still Picture																								
2'b11	Moving Image																								
Restriction	<p>The display module is sending 2nd parameter value on the data lines if the MCU wants to read more than one parameter (= more than 2 RDX cycle) on DBI.</p> <p>Only 2nd parameter is sent on DSI (The 1st parameter is not sent).</p>																								
Register Availability	<table border="1" style="margin-left: auto; margin-right: auto;"> <thead> <tr> <th>Status</th> <th>Availability</th> </tr> </thead> <tbody> <tr> <td>Normal Mode On, Idle Mode Off, Sleep Out</td> <td>Yes</td> </tr> <tr> <td>Normal Mode On, Idle Mode On, Sleep Out</td> <td>Yes</td> </tr> <tr> <td>Partial Mode On, Idle Mode Off, Sleep Out</td> <td>Yes</td> </tr> <tr> <td>Partial Mode On, Idle Mode On, Sleep Out</td> <td>Yes</td> </tr> <tr> <td>Sleep In</td> <td>Yes</td> </tr> </tbody> </table>													Status	Availability	Normal Mode On, Idle Mode Off, Sleep Out	Yes	Normal Mode On, Idle Mode On, Sleep Out	Yes	Partial Mode On, Idle Mode Off, Sleep Out	Yes	Partial Mode On, Idle Mode On, Sleep Out	Yes	Sleep In	Yes
Status	Availability																								
Normal Mode On, Idle Mode Off, Sleep Out	Yes																								
Normal Mode On, Idle Mode On, Sleep Out	Yes																								
Partial Mode On, Idle Mode Off, Sleep Out	Yes																								
Partial Mode On, Idle Mode On, Sleep Out	Yes																								
Sleep In	Yes																								
Default	<table border="1" style="margin-left: auto; margin-right: auto;"> <thead> <tr> <th>Status</th> <th>Default Value</th> </tr> </thead> <tbody> <tr> <td>Power On Sequence</td> <td>C[1:0]=00<sub>HEX</sub></td> </tr> <tr> <td>SW Reset</td> <td>C[1:0]=00<sub>HEX</sub></td> </tr> <tr> <td>HW Reset</td> <td>C[1:0]=00<sub>HEX</sub></td> </tr> </tbody> </table>													Status	Default Value	Power On Sequence	C[1:0]=00 <sub>HEX</sub>	SW Reset	C[1:0]=00 <sub>HEX</sub>	HW Reset	C[1:0]=00 <sub>HEX</sub>				
Status	Default Value																								
Power On Sequence	C[1:0]=00 <sub>HEX</sub>																								
SW Reset	C[1:0]=00 <sub>HEX</sub>																								
HW Reset	C[1:0]=00 <sub>HEX</sub>																								
Flow Chart	<div style="display: flex; align-items: center;"> <div style="flex: 1;"> <pre> graph TD     subgraph Host         A[Read RDCABC]     end     subgraph Display         B[/Send 1st Parameter/]         C[/Send 2nd Parameter/]     end     A --&gt; B     B --&gt; C     </pre> </div> <div style="flex: 0.5; border: 1px dashed black; padding: 5px; margin-left: 10px;"> <p>Legend</p> <ul style="list-style-type: none"> <li><span style="border: 1px solid black; padding: 2px;">Command</span></li> <li><span style="border: 1px solid black; transform: rotate(-45deg); padding: 2px;">Parameter</span></li> <li><span style="border: 1px solid black; border-radius: 15px; padding: 2px;">Display</span></li> <li><span style="border: 1px solid black; border-radius: 15px; padding: 2px;">Action</span></li> <li><span style="border: 1px solid black; border-radius: 15px; padding: 2px;">Mode</span></li> <li><span style="border: 1px solid black; border-radius: 15px; padding: 2px;">Sequential transfer</span></li> </ul> </div> </div>																								

### 8.2.40. Write CABC Minimum Brightness (5Eh)

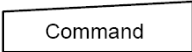
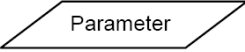
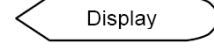
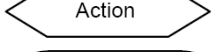
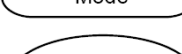
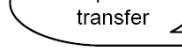
B8H	Backlight Control 1												HEX												
	D/CX	RDX	WRX	D17-8	D7	D6	D5	D4	D3	D2	D1	D0													
Command	0	1	↑	xx	1	0	1	1	1	1	0	0	0	B8											
1 <sup>st</sup> parameter	0	↑	1	xx	CMB[7]	CMB[6]	CMB[5]	CMB[4]	CMB[3]	CMB[2]	CMB[1]	CMB[0]	CMB[7]	FF											
Description	<p>This command is used to set the minimum brightness value of the display for CABC function.</p> <p><b>CMB[7:0]:</b> CABC minimum brightness control, this parameter is used to avoid too much brightness reduction.</p> <p>When CABC is active, CABC cannot reduce the display brightness to less than CABC minimum brightness setting. Image processing function is worked as normal, even if the brightness cannot be changed.</p> <p>This function does not affect to the other function, manual brightness setting. Manual brightness can be set the display brightness to less than CABC minimum brightness. Smooth transition and dimming function can be worked as normal.</p> <p>When display brightness is turned off (BCTRL=0 of "Write CTRL Display (53h)"), CABC minimum brightness setting is ignored.</p> <p>In principle relationship is that 00h value means the lowest brightness for CABC and FFh value means the highest brightness for CABC.</p>																								
Register Availability	<table border="1"> <thead> <tr> <th>Status</th> <th>Availability</th> </tr> </thead> <tbody> <tr> <td>Normal Mode On, Idle Mode Off, Sleep Out</td> <td>Yes</td> </tr> <tr> <td>Normal Mode On, Idle Mode On, Sleep Out</td> <td>Yes</td> </tr> <tr> <td>Partial Mode On, Idle Mode Off, Sleep Out</td> <td>Yes</td> </tr> <tr> <td>Partial Mode On, Idle Mode On, Sleep Out</td> <td>Yes</td> </tr> <tr> <td>Sleep In</td> <td>Yes</td> </tr> </tbody> </table>													Status	Availability	Normal Mode On, Idle Mode Off, Sleep Out	Yes	Normal Mode On, Idle Mode On, Sleep Out	Yes	Partial Mode On, Idle Mode Off, Sleep Out	Yes	Partial Mode On, Idle Mode On, Sleep Out	Yes	Sleep In	Yes
Status	Availability																								
Normal Mode On, Idle Mode Off, Sleep Out	Yes																								
Normal Mode On, Idle Mode On, Sleep Out	Yes																								
Partial Mode On, Idle Mode Off, Sleep Out	Yes																								
Partial Mode On, Idle Mode On, Sleep Out	Yes																								
Sleep In	Yes																								
Default	<table border="1"> <thead> <tr> <th>Status</th> <th>Default Value</th> </tr> </thead> <tbody> <tr> <td>Power On Sequence</td> <td>00h</td> </tr> <tr> <td>SW Reset</td> <td>No Change</td> </tr> <tr> <td>HW Reset</td> <td>00h</td> </tr> </tbody> </table>													Status	Default Value	Power On Sequence	00h	SW Reset	No Change	HW Reset	00h				
Status	Default Value																								
Power On Sequence	00h																								
SW Reset	No Change																								
HW Reset	00h																								

### 8.2.41. Read CABC Minimum Brightness (5Fh)

B8H	Backlight Control 1																								
	D/CX	RDX	WRX	D17-8	D7	D6	D5	D4	D3	D2	D1	D0	HEX												
Command	0	1	↑	xx	1	0	1	1	1	0	0	0	B8												
1 <sup>st</sup> parameter	0	↑	1	xx	CMB[7]	CMB[6]	CMB[5]	CMB[4]	CMB[3]	CMB[2]	CMB[1]	CMB[0]	FF												
Description	<p>This command returns the minimum brightness value of CABC function.</p> <p>In principle the relationship is that 00h value means the lowest brightness and FFh value means the highest brightness.</p> <p>CMB[7:0] is CABC minimum brightness specified with "Write CABC minimum brightness (5Eh)" command. In principle relationship is that 00h value means the lowest brightness for CABC and FFh value means the highest brightness for CABC.</p>																								
Register Availability	<table border="1"> <thead> <tr> <th>Status</th> <th>Availability</th> </tr> </thead> <tbody> <tr> <td>Normal Mode On, Idle Mode Off, Sleep Out</td> <td>Yes</td> </tr> <tr> <td>Normal Mode On, Idle Mode On, Sleep Out</td> <td>Yes</td> </tr> <tr> <td>Partial Mode On, Idle Mode Off, Sleep Out</td> <td>Yes</td> </tr> <tr> <td>Partial Mode On, Idle Mode On, Sleep Out</td> <td>Yes</td> </tr> <tr> <td>Sleep In</td> <td>Yes</td> </tr> </tbody> </table>													Status	Availability	Normal Mode On, Idle Mode Off, Sleep Out	Yes	Normal Mode On, Idle Mode On, Sleep Out	Yes	Partial Mode On, Idle Mode Off, Sleep Out	Yes	Partial Mode On, Idle Mode On, Sleep Out	Yes	Sleep In	Yes
Status	Availability																								
Normal Mode On, Idle Mode Off, Sleep Out	Yes																								
Normal Mode On, Idle Mode On, Sleep Out	Yes																								
Partial Mode On, Idle Mode Off, Sleep Out	Yes																								
Partial Mode On, Idle Mode On, Sleep Out	Yes																								
Sleep In	Yes																								
Default	<table border="1"> <thead> <tr> <th>Status</th> <th>Default Value</th> </tr> </thead> <tbody> <tr> <td>Power On Sequence</td> <td>00h</td> </tr> <tr> <td>SW Reset</td> <td>No Change</td> </tr> <tr> <td>HW Reset</td> <td>00h</td> </tr> </tbody> </table>													Status	Default Value	Power On Sequence	00h	SW Reset	No Change	HW Reset	00h				
Status	Default Value																								
Power On Sequence	00h																								
SW Reset	No Change																								
HW Reset	00h																								



**8.2.42. Read\_DDB\_Start (A1h)**

A1H	Read_DDB_Start																								
	D/CX	RDX	WRX	D17-8	D7	D6	D5	D4	D3	D2	D1	D0	HEX												
Command	0	1	↑	x	1	0	1	0	0	0	0	1	A1												
1 <sup>st</sup> Parameter	1	↑	1	x	x	x	x	x	x	x	x	x	x												
2 <sup>nd</sup> Parameter	1	↑	1	xx	ID[7]	ID[6]	ID[5]	ID[4]	ID[3]	ID[2]	ID[1]	ID[0]	xx												
3 <sup>rd</sup> Parameter	1	↑	1	xx	1	1	1	1	1	1	1	1	FF												
Description	This 1 <sup>st</sup> parameter: Dummy read 2 <sup>nd</sup> parameter: ID code[7:0] 3 <sup>th</sup> parameter: Exit code (FFh).																								
Restriction																									
Register Availability	<table border="1"> <thead> <tr> <th>Status</th> <th>Availability</th> </tr> </thead> <tbody> <tr> <td>Normal Mode On, Idle Mode Off, Sleep Out</td> <td>Yes</td> </tr> <tr> <td>Normal Mode On, Idle Mode On, Sleep Out</td> <td>Yes</td> </tr> <tr> <td>Partial Mode On, Idle Mode Off, Sleep Out</td> <td>Yes</td> </tr> <tr> <td>Partial Mode On, Idle Mode On, Sleep Out</td> <td>Yes</td> </tr> <tr> <td>Sleep In</td> <td>Yes</td> </tr> </tbody> </table>													Status	Availability	Normal Mode On, Idle Mode Off, Sleep Out	Yes	Normal Mode On, Idle Mode On, Sleep Out	Yes	Partial Mode On, Idle Mode Off, Sleep Out	Yes	Partial Mode On, Idle Mode On, Sleep Out	Yes	Sleep In	Yes
Status	Availability																								
Normal Mode On, Idle Mode Off, Sleep Out	Yes																								
Normal Mode On, Idle Mode On, Sleep Out	Yes																								
Partial Mode On, Idle Mode Off, Sleep Out	Yes																								
Partial Mode On, Idle Mode On, Sleep Out	Yes																								
Sleep In	Yes																								
Default	<table border="1"> <thead> <tr> <th>Status</th> <th>Default Value</th> </tr> </thead> <tbody> <tr> <td>Power On Sequence</td> <td>ID[7:0]=00<sub>HEX</sub></td> </tr> <tr> <td>SW Reset</td> <td>ID[7:0]=00<sub>HEX</sub></td> </tr> <tr> <td>HW Reset</td> <td>ID[7:0]=00<sub>HEX</sub></td> </tr> </tbody> </table>													Status	Default Value	Power On Sequence	ID[7:0]=00 <sub>HEX</sub>	SW Reset	ID[7:0]=00 <sub>HEX</sub>	HW Reset	ID[7:0]=00 <sub>HEX</sub>				
Status	Default Value																								
Power On Sequence	ID[7:0]=00 <sub>HEX</sub>																								
SW Reset	ID[7:0]=00 <sub>HEX</sub>																								
HW Reset	ID[7:0]=00 <sub>HEX</sub>																								
Flow Chart	<div style="border: 1px dashed black; padding: 10px; text-align: center;"> <p><b>Legend</b></p> <p>Command: </p> <p>Parameter: </p> <p>Display: </p> <p>Action: </p> <p>Mode: </p> <p>Sequential transfer: </p> </div>																								

**8.2.43. Command Access Protect (B0h)**

B0H	Command Access Protect																																															
	D/CX	RDX	WRX	D17-8	D7	D6	D5	D4	D3	D2	D1	D0	HEX																																			
Command	0	1	↑	xx	1	0	1	1	0	0	0	0	B0																																			
1 <sup>st</sup> parameter	0	1	↑	xx	0	0	0	0	0	0	MCAP[1]	MCAP[0]	00																																			
Description	<table border="1"> <thead> <tr> <th rowspan="2">MCAP[1:0]</th> <th>User Command</th> <th>Protect command</th> <th colspan="3">Manufacturer Command</th> </tr> <tr> <th>00h ~ AFh</th> <th>B0h</th> <th>B1h ~ DFh</th> <th>E0h~EFh</th> <th>F0h~FFh</th> </tr> </thead> <tbody> <tr> <td>2'b00</td> <td>Yes</td> <td>Yes</td> <td>Yes</td> <td>Yes</td> <td>Yes</td> </tr> <tr> <td>2'b01</td> <td>Yes</td> <td>Yes</td> <td>Yes</td> <td>Yes</td> <td>No</td> </tr> <tr> <td>2'b10</td> <td>Yes</td> <td>Yes</td> <td>Yes</td> <td>No</td> <td>No</td> </tr> <tr> <td>2'b11</td> <td>Yes</td> <td>Yes</td> <td>No</td> <td>No</td> <td>No</td> </tr> </tbody> </table>													MCAP[1:0]	User Command	Protect command	Manufacturer Command			00h ~ AFh	B0h	B1h ~ DFh	E0h~EFh	F0h~FFh	2'b00	Yes	Yes	Yes	Yes	Yes	2'b01	Yes	Yes	Yes	Yes	No	2'b10	Yes	Yes	Yes	No	No	2'b11	Yes	Yes	No	No	No
	MCAP[1:0]	User Command	Protect command	Manufacturer Command																																												
		00h ~ AFh	B0h	B1h ~ DFh	E0h~EFh	F0h~FFh																																										
	2'b00	Yes	Yes	Yes	Yes	Yes																																										
	2'b01	Yes	Yes	Yes	Yes	No																																										
2'b10	Yes	Yes	Yes	No	No																																											
2'b11	Yes	Yes	No	No	No																																											
Register Availability	<table border="1"> <thead> <tr> <th>Status</th> <th>Availability</th> </tr> </thead> <tbody> <tr> <td>Normal Mode On, Idle Mode Off, Sleep Out</td> <td>Yes</td> </tr> <tr> <td>Normal Mode On, Idle Mode On, Sleep Out</td> <td>Yes</td> </tr> <tr> <td>Partial Mode On, Idle Mode Off, Sleep Out</td> <td>Yes</td> </tr> <tr> <td>Partial Mode On, Idle Mode On, Sleep Out</td> <td>Yes</td> </tr> <tr> <td>Sleep In</td> <td>Yes</td> </tr> </tbody> </table>													Status	Availability	Normal Mode On, Idle Mode Off, Sleep Out	Yes	Normal Mode On, Idle Mode On, Sleep Out	Yes	Partial Mode On, Idle Mode Off, Sleep Out	Yes	Partial Mode On, Idle Mode On, Sleep Out	Yes	Sleep In	Yes																							
	Status	Availability																																														
	Normal Mode On, Idle Mode Off, Sleep Out	Yes																																														
	Normal Mode On, Idle Mode On, Sleep Out	Yes																																														
	Partial Mode On, Idle Mode Off, Sleep Out	Yes																																														
Partial Mode On, Idle Mode On, Sleep Out	Yes																																															
Sleep In	Yes																																															
Default	<table border="1"> <thead> <tr> <th>Status</th> <th>Default Value</th> </tr> </thead> <tbody> <tr> <td>Power On Sequence</td> <td>MCAP[1:0]=2'h0</td> </tr> <tr> <td>SW Reset</td> <td>No change</td> </tr> <tr> <td>HW Reset</td> <td>MCAP[1:0]=2'h0</td> </tr> </tbody> </table>													Status	Default Value	Power On Sequence	MCAP[1:0]=2'h0	SW Reset	No change	HW Reset	MCAP[1:0]=2'h0																											
	Status	Default Value																																														
	Power On Sequence	MCAP[1:0]=2'h0																																														
SW Reset	No change																																															
HW Reset	MCAP[1:0]=2'h0																																															
Flow Chart	<pre> graph TD     A([Sleep Mode]) --&gt; B[Low Power Mode Control]     B --&gt; C[/DSTB=1/]     C --&gt; D([Deepstandby Mode])     </pre>																																															
	<table border="1"> <thead> <tr> <th colspan="2">Legend</th> </tr> </thead> <tbody> <tr> <td></td> <td>Command</td> </tr> <tr> <td></td> <td>Parameter</td> </tr> <tr> <td></td> <td>Display</td> </tr> <tr> <td></td> <td>Action</td> </tr> <tr> <td></td> <td>Mode</td> </tr> <tr> <td></td> <td>Sequential transfer</td> </tr> </tbody> </table>													Legend			Command		Parameter		Display		Action		Mode		Sequential transfer																					
Legend																																																
	Command																																															
	Parameter																																															
	Display																																															
	Action																																															
	Mode																																															
	Sequential transfer																																															

**8.2.44. Low Power Mode Control (B1h)**

B1H	Low Power Mode Control												
	D/CX	RDX	WRX	D17-8	D7	D6	D5	D4	D3	D2	D1	D0	HEX
Command	0	1	↑	xx	1	0	1	1	0	0	0	1	B1
1 <sup>st</sup> parameter	0	1	↑	xx	0	0	0	0	0	0	0	DSTB	0

**DSTB**

The driver enters the deep standby mode when DSTB=1. Internal logic power supply circuit is turned down enabling low power consumption. In the deep standby mode, data stored in the Frame Memory and the Instructions are not retained. Re-write them after the deep standby mode is necessary.

There are two ways to wake up deep standby mode,

1. Reset the ILI9327 and re-write the initial code
2. Toggle CSX pin High → Low → High 6 times to quit the deep standby mode.

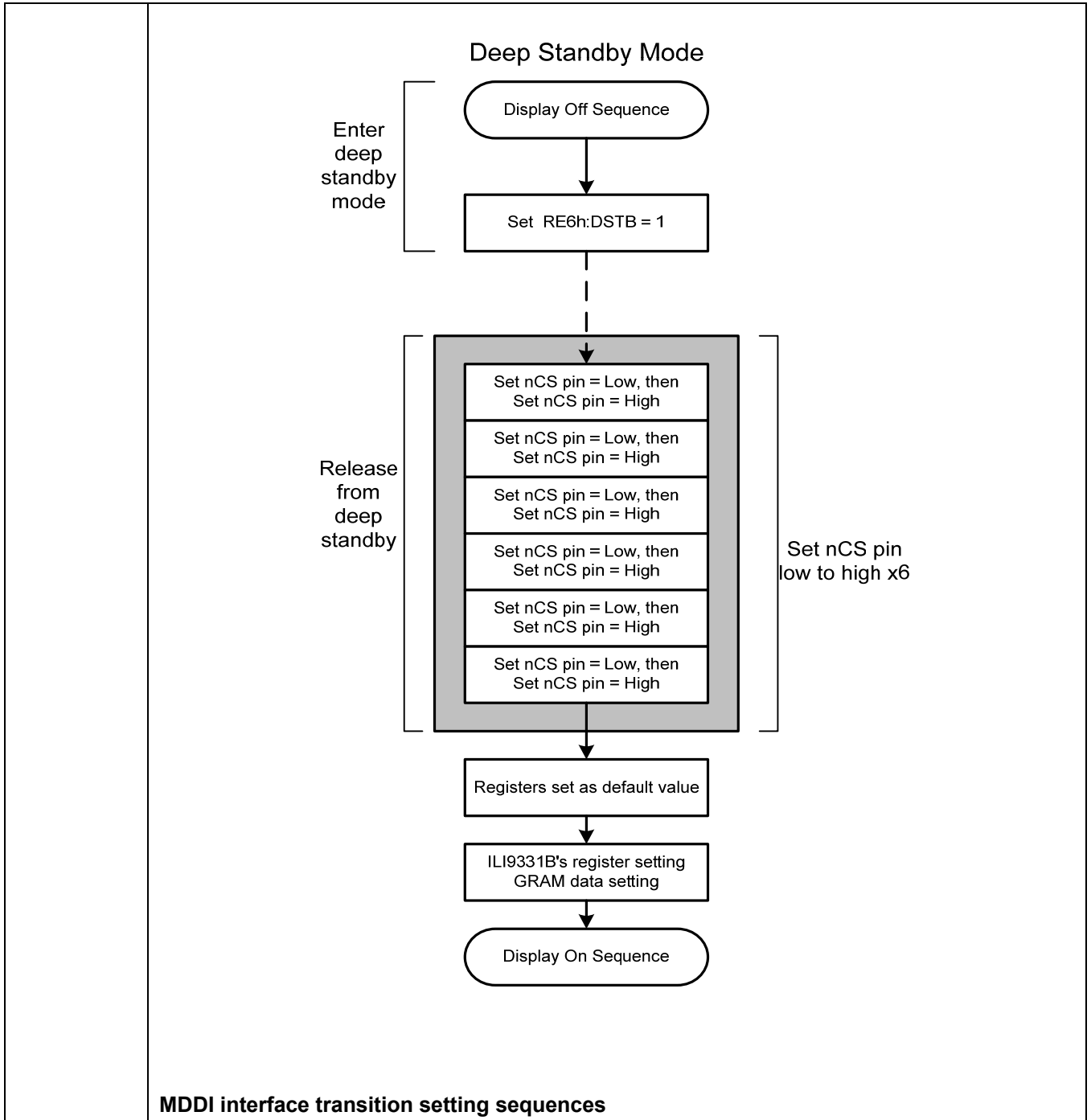
**Basic operation**

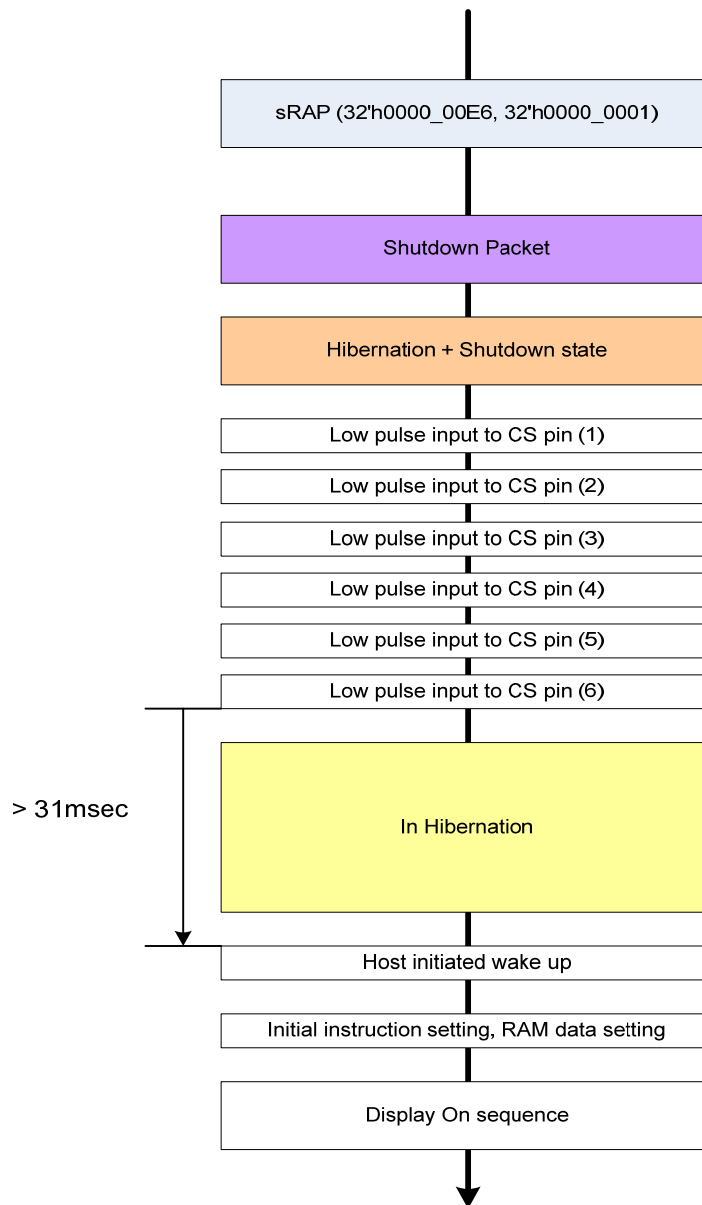
The basic operation modes of 9327 are as shown in the following diagram.

```

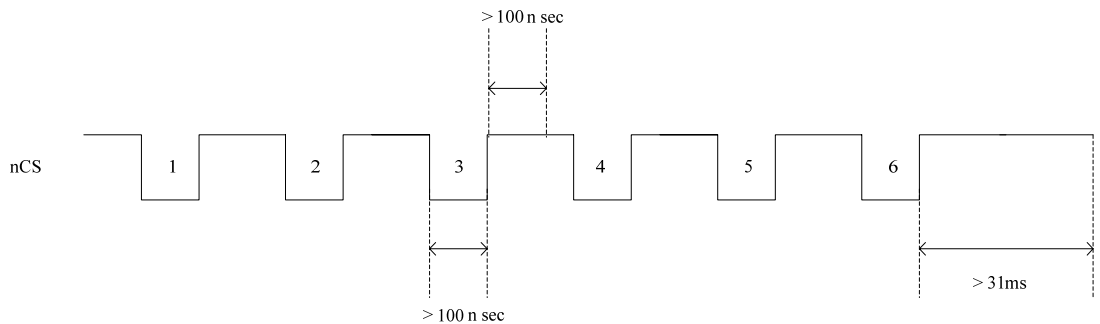
graph TD
    DisplayOn[Display On] --> DisplayOff[Display Off]
    DisplayOff --> DisplayOn
    DisplayOff -- DSTBY --> DeepStandby[Deep Standby]
    DeepStandby -- Exit --> Reset[Reset]
    Reset -- Initial --> DisplayOff
    RESET --> Reset
    
```

**CPU interface transition setting sequences**





The timing requirement of the pulse is shown as below.



Register Availability	<table border="1"> <thead> <tr> <th>Status</th> <th>Availability</th> </tr> </thead> <tbody> <tr> <td>Normal Mode On, Idle Mode Off, Sleep Out</td> <td>Yes</td> </tr> <tr> <td>Normal Mode On, Idle Mode On, Sleep Out</td> <td>Yes</td> </tr> <tr> <td>Partial Mode On, Idle Mode Off, Sleep Out</td> <td>Yes</td> </tr> <tr> <td>Partial Mode On, Idle Mode On, Sleep Out</td> <td>Yes</td> </tr> <tr> <td>Sleep In</td> <td>Yes</td> </tr> </tbody> </table>	Status	Availability	Normal Mode On, Idle Mode Off, Sleep Out	Yes	Normal Mode On, Idle Mode On, Sleep Out	Yes	Partial Mode On, Idle Mode Off, Sleep Out	Yes	Partial Mode On, Idle Mode On, Sleep Out	Yes	Sleep In	Yes
Status	Availability												
Normal Mode On, Idle Mode Off, Sleep Out	Yes												
Normal Mode On, Idle Mode On, Sleep Out	Yes												
Partial Mode On, Idle Mode Off, Sleep Out	Yes												
Partial Mode On, Idle Mode On, Sleep Out	Yes												
Sleep In	Yes												
Default	<table border="1"> <thead> <tr> <th>Status</th> <th>Default Value</th> </tr> </thead> <tbody> <tr> <td>Power On Sequence</td> <td>DSTB=1'b0</td> </tr> <tr> <td>SW Reset</td> <td>No change</td> </tr> <tr> <td>HW Reset</td> <td>DSTB=1'b0</td> </tr> </tbody> </table>	Status	Default Value	Power On Sequence	DSTB=1'b0	SW Reset	No change	HW Reset	DSTB=1'b0				
Status	Default Value												
Power On Sequence	DSTB=1'b0												
SW Reset	No change												
HW Reset	DSTB=1'b0												
Flow Chart	<pre> graph TD     A([Sleep Mode]) --&gt; B[Low Power Mode Control]     B --&gt; C[/DSTB=1/]     C --&gt; D([Deepstandby Mode])     </pre> <p><b>Legend</b></p> <ul style="list-style-type: none"> <li>Command: Rectangle</li> <li>Parameter: Parallelogram</li> <li>Display: Rounded rectangle</li> <li>Action: Pointed rectangle</li> <li>Mode: Oval</li> <li>Sequential transfer: Oval with tail</li> </ul>												

### 8.2.45. Frame Memory Access and Interface Setting (B3h)

B3H	Frame Memory Access and Interface Setting																																																
	D/CX	RDX	WRX	D17-8	D7	D6	D5	D4	D3	D2	D1	D0	HEX																																				
Command	0	1	↑	xx	1	0	1	1	0	0	1	1	B3																																				
1 <sup>st</sup> parameter	0	1	↑	xx	0	0	0	0	0	0	WEMODE	0	02																																				
1 <sup>st</sup> parameter	0	1	↑	xx	0	0	0	0	0	TEI[2]	TEI[10]	TEI[0]	00																																				
2 <sup>nd</sup> parameter	0	1	↑	xx	0	0	0	0	0	DENC[2]	DENC[1]	DENC[0]	00																																				
4 <sup>th</sup> parameter	0	1	↑	xx	0	0	EPF[1]	EPF[0]	0	0	0	DFM	20																																				
Description	<p><b>WEMODE:</b> Memory write control</p> <p>WEMODE=0: When the transfer number of data exceeds (EC-SC+1)*(EP-SP+1), the exceeding data will be ignored.</p> <p>WEMODE=1: When the transfer number of data exceeds (EC-SC+1)*(EP-SP+1), the column and page number will be reset, and the exceeding data will be written into the following column and page.</p> <p><b>TEI[2:0]:</b> ILI9327 starts to output TE signal in the output interval set by TEI[2:0] bits.</p> <table border="1"> <thead> <tr> <th>TEI[2:0]</th> <th>Output Interval</th> </tr> </thead> <tbody> <tr> <td>3'b000</td> <td>1 frame</td> </tr> <tr> <td>3'b001</td> <td>2 frame</td> </tr> <tr> <td>3'b011</td> <td>4 frame</td> </tr> <tr> <td>3'b101</td> <td>6 frame</td> </tr> <tr> <td>Others</td> <td>Setting Prohibited</td> </tr> </tbody> </table> <p><b>DENC[2:0]:</b> Set the GRAM write cycle through the RGB interface</p> <table border="1"> <thead> <tr> <th>DENC[2:0]</th> <th>GRAM Write Cycle (Frame periods)</th> </tr> </thead> <tbody> <tr> <td>000</td> <td>1 Frame</td> </tr> <tr> <td>001</td> <td>2 Frames</td> </tr> <tr> <td>010</td> <td>3 Frames</td> </tr> <tr> <td>011</td> <td>4 Frames</td> </tr> <tr> <td>100</td> <td>5 Frames</td> </tr> <tr> <td>101</td> <td>6 Frames</td> </tr> <tr> <td>110</td> <td>7 Frames</td> </tr> <tr> <td>111</td> <td>8 Frames</td> </tr> </tbody> </table> <p><b>DFM:</b> The bit is used to define image data write/read format to the Frame Memory in DBI Type B (16bit bus interface) and DBI Type C serial interface operation.</p> <p><b>EPF[1:0]</b> Set the data format when 16bbp (R,G,B) to 18 bbp (r, g, b) is stored in the internal GRAM.</p> <table border="1"> <thead> <tr> <th>EPF[1:0]</th> <th>Expand 16bbp (R,G,B) to 18 bbp (R, G, B)</th> </tr> </thead> <tbody> <tr> <td>00</td> <td>                     "0" is inputted to LSB  <math>r[5:0] = \{R[4:0], 0\}</math>  <math>g[5:0] = \{G[5:0]\}</math>  <math>b[5:0] = \{B[4:0], 0\}</math>                       Exception:  <math>R[4:0], B[4:0]=5'h1F \rightarrow r[5:0], b[5:0] = 6'h3F</math> </td> </tr> <tr> <td>01</td> <td>                     "1" is inputted to LSB  <math>r[5:0] = \{R[4:0], 1\}</math>  <math>g[5:0] = \{G[5:0]\}</math>  <math>b[5:0] = \{B[4:0], 1\}</math> </td> </tr> </tbody> </table>													TEI[2:0]	Output Interval	3'b000	1 frame	3'b001	2 frame	3'b011	4 frame	3'b101	6 frame	Others	Setting Prohibited	DENC[2:0]	GRAM Write Cycle (Frame periods)	000	1 Frame	001	2 Frames	010	3 Frames	011	4 Frames	100	5 Frames	101	6 Frames	110	7 Frames	111	8 Frames	EPF[1:0]	Expand 16bbp (R,G,B) to 18 bbp (R, G, B)	00	"0" is inputted to LSB $r[5:0] = \{R[4:0], 0\}$ $g[5:0] = \{G[5:0]\}$ $b[5:0] = \{B[4:0], 0\}$  Exception: $R[4:0], B[4:0]=5'h1F \rightarrow r[5:0], b[5:0] = 6'h3F$	01	"1" is inputted to LSB $r[5:0] = \{R[4:0], 1\}$ $g[5:0] = \{G[5:0]\}$ $b[5:0] = \{B[4:0], 1\}$
	TEI[2:0]	Output Interval																																															
	3'b000	1 frame																																															
	3'b001	2 frame																																															
	3'b011	4 frame																																															
	3'b101	6 frame																																															
	Others	Setting Prohibited																																															
	DENC[2:0]	GRAM Write Cycle (Frame periods)																																															
	000	1 Frame																																															
	001	2 Frames																																															
010	3 Frames																																																
011	4 Frames																																																
100	5 Frames																																																
101	6 Frames																																																
110	7 Frames																																																
111	8 Frames																																																
EPF[1:0]	Expand 16bbp (R,G,B) to 18 bbp (R, G, B)																																																
00	"0" is inputted to LSB $r[5:0] = \{R[4:0], 0\}$ $g[5:0] = \{G[5:0]\}$ $b[5:0] = \{B[4:0], 0\}$  Exception: $R[4:0], B[4:0]=5'h1F \rightarrow r[5:0], b[5:0] = 6'h3F$																																																
01	"1" is inputted to LSB $r[5:0] = \{R[4:0], 1\}$ $g[5:0] = \{G[5:0]\}$ $b[5:0] = \{B[4:0], 1\}$																																																

	<table border="1"> <tr> <td></td> <td>Exception: R[4:0], B[4:0]=5'h00 → r[5:0], b[5:0] = 6'h00</td> </tr> <tr> <td>10</td> <td>MSB is inputted to LSB r[5:0] = {R[4:0], R[4]} g[5:0] = {G[5:0]} b[5:0] = {B[4:0], B[4]}</td> </tr> <tr> <td>11</td> <td>Compare R[4:0], G[5:1], B[4:0] case: Case 1: R=G=B → r[5:0] = {R[4:0], G[0]}, g[5:0] = {G[5:0]}, b[5:0] = {B[4:0], G[0]} Case 2: R=B≠G → r[5:0] = {R[4:0], R[4]}, g[5:0] = {G[5:0]}, b[5:0] = {B[4:0], B[4]} Case 3: R=G≠B → r[5:0] = {R[4:0], G[0]}, g[5:0] = {G[5:0]}, b[5:0] = {B[4:0], B[4]} Case 4: B=G≠R → r[5:0] = {R[4:0], R[4]}, g[5:0] = {G[5:0]}, b[5:0] = {B[4:0], G[0]}</td> </tr> </table>		Exception: R[4:0], B[4:0]=5'h00 → r[5:0], b[5:0] = 6'h00	10	MSB is inputted to LSB r[5:0] = {R[4:0], R[4]} g[5:0] = {G[5:0]} b[5:0] = {B[4:0], B[4]}	11	Compare R[4:0], G[5:1], B[4:0] case: Case 1: R=G=B → r[5:0] = {R[4:0], G[0]}, g[5:0] = {G[5:0]}, b[5:0] = {B[4:0], G[0]} Case 2: R=B≠G → r[5:0] = {R[4:0], R[4]}, g[5:0] = {G[5:0]}, b[5:0] = {B[4:0], B[4]} Case 3: R=G≠B → r[5:0] = {R[4:0], G[0]}, g[5:0] = {G[5:0]}, b[5:0] = {B[4:0], B[4]} Case 4: B=G≠R → r[5:0] = {R[4:0], R[4]}, g[5:0] = {G[5:0]}, b[5:0] = {B[4:0], G[0]}						
	Exception: R[4:0], B[4:0]=5'h00 → r[5:0], b[5:0] = 6'h00												
10	MSB is inputted to LSB r[5:0] = {R[4:0], R[4]} g[5:0] = {G[5:0]} b[5:0] = {B[4:0], B[4]}												
11	Compare R[4:0], G[5:1], B[4:0] case: Case 1: R=G=B → r[5:0] = {R[4:0], G[0]}, g[5:0] = {G[5:0]}, b[5:0] = {B[4:0], G[0]} Case 2: R=B≠G → r[5:0] = {R[4:0], R[4]}, g[5:0] = {G[5:0]}, b[5:0] = {B[4:0], B[4]} Case 3: R=G≠B → r[5:0] = {R[4:0], G[0]}, g[5:0] = {G[5:0]}, b[5:0] = {B[4:0], B[4]} Case 4: B=G≠R → r[5:0] = {R[4:0], R[4]}, g[5:0] = {G[5:0]}, b[5:0] = {B[4:0], G[0]}												
Register Availability	<table border="1"> <thead> <tr> <th>Status</th> <th>Availability</th> </tr> </thead> <tbody> <tr> <td>Normal Mode On, Idle Mode Off, Sleep Out</td> <td>Yes</td> </tr> <tr> <td>Normal Mode On, Idle Mode On, Sleep Out</td> <td>Yes</td> </tr> <tr> <td>Partial Mode On, Idle Mode Off, Sleep Out</td> <td>Yes</td> </tr> <tr> <td>Partial Mode On, Idle Mode On, Sleep Out</td> <td>Yes</td> </tr> <tr> <td>Sleep In</td> <td>Yes</td> </tr> </tbody> </table>	Status	Availability	Normal Mode On, Idle Mode Off, Sleep Out	Yes	Normal Mode On, Idle Mode On, Sleep Out	Yes	Partial Mode On, Idle Mode Off, Sleep Out	Yes	Partial Mode On, Idle Mode On, Sleep Out	Yes	Sleep In	Yes
Status	Availability												
Normal Mode On, Idle Mode Off, Sleep Out	Yes												
Normal Mode On, Idle Mode On, Sleep Out	Yes												
Partial Mode On, Idle Mode Off, Sleep Out	Yes												
Partial Mode On, Idle Mode On, Sleep Out	Yes												
Sleep In	Yes												
Default	<table border="1"> <thead> <tr> <th>Status</th> <th>Default Value</th> </tr> </thead> <tbody> <tr> <td>Power On Sequence</td> <td>WEMODE=1, TEI[2:0]=3'h0, DENC[2:0]=3'h0, DFM=1'h0, EPF[1:0]=2'h2</td> </tr> <tr> <td>SW Reset</td> <td>No change</td> </tr> <tr> <td>HW Reset</td> <td>WEMODE=1, TEI[2:0]=3'h0, DENC[2:0]=3'h0, DFM=1'h0, EPF[1:0]=2'h2</td> </tr> </tbody> </table>	Status	Default Value	Power On Sequence	WEMODE=1, TEI[2:0]=3'h0, DENC[2:0]=3'h0, DFM=1'h0, EPF[1:0]=2'h2	SW Reset	No change	HW Reset	WEMODE=1, TEI[2:0]=3'h0, DENC[2:0]=3'h0, DFM=1'h0, EPF[1:0]=2'h2				
Status	Default Value												
Power On Sequence	WEMODE=1, TEI[2:0]=3'h0, DENC[2:0]=3'h0, DFM=1'h0, EPF[1:0]=2'h2												
SW Reset	No change												
HW Reset	WEMODE=1, TEI[2:0]=3'h0, DENC[2:0]=3'h0, DFM=1'h0, EPF[1:0]=2'h2												



**8.2.46. Display Mode and Frame Memory Write Mode Setting (B4h)**

B4H	Display Mode and Frame Memory Write Mode Setting																								
	D/CX	RDX	WRX	D17-8	D7	D6	D5	D4	D3	D2	D1	D0	HEX												
Command	0	1	↑	xx	1	0	1	1	0	1	0	0	B4												
1 <sup>st</sup> parameter	0	1	↑	xx	0	0	0	RM	0	0	0	DM	00												
Description	<p><b>DM</b> Select the display operation mode.</p> <table border="1" style="margin-left: auto; margin-right: auto;"> <thead> <tr> <th>DM0</th> <th>Display Interface</th> </tr> </thead> <tbody> <tr> <td>0</td> <td>Internal system clock</td> </tr> <tr> <td>1</td> <td>DPI (RGB) interface</td> </tr> </tbody> </table> <p>The DM[1:0] setting allows switching between internal clock operation mode and external display interface operation mode.</p> <p><b>RM</b> Select the interface to access the GRAM.</p> <p>Set RM to "1" when writing display data by the RGB interface.</p> <table border="1" style="margin-left: auto; margin-right: auto;"> <thead> <tr> <th>RM</th> <th>Interface for RAM Access</th> </tr> </thead> <tbody> <tr> <td>0</td> <td>DBI Interface (CPU)</td> </tr> <tr> <td>1</td> <td>DPI Interface (RGB)</td> </tr> </tbody> </table>													DM0	Display Interface	0	Internal system clock	1	DPI (RGB) interface	RM	Interface for RAM Access	0	DBI Interface (CPU)	1	DPI Interface (RGB)
	DM0	Display Interface																							
0	Internal system clock																								
1	DPI (RGB) interface																								
RM	Interface for RAM Access																								
0	DBI Interface (CPU)																								
1	DPI Interface (RGB)																								
Register Availability	<table border="1" style="margin-left: auto; margin-right: auto;"> <thead> <tr> <th>Status</th> <th>Availability</th> </tr> </thead> <tbody> <tr> <td>Normal Mode On, Idle Mode Off, Sleep Out</td> <td>Yes</td> </tr> <tr> <td>Normal Mode On, Idle Mode On, Sleep Out</td> <td>Yes</td> </tr> <tr> <td>Partial Mode On, Idle Mode Off, Sleep Out</td> <td>Yes</td> </tr> <tr> <td>Partial Mode On, Idle Mode On, Sleep Out</td> <td>Yes</td> </tr> <tr> <td>Sleep In</td> <td>Yes</td> </tr> </tbody> </table>													Status	Availability	Normal Mode On, Idle Mode Off, Sleep Out	Yes	Normal Mode On, Idle Mode On, Sleep Out	Yes	Partial Mode On, Idle Mode Off, Sleep Out	Yes	Partial Mode On, Idle Mode On, Sleep Out	Yes	Sleep In	Yes
Status	Availability																								
Normal Mode On, Idle Mode Off, Sleep Out	Yes																								
Normal Mode On, Idle Mode On, Sleep Out	Yes																								
Partial Mode On, Idle Mode Off, Sleep Out	Yes																								
Partial Mode On, Idle Mode On, Sleep Out	Yes																								
Sleep In	Yes																								
Default	<table border="1" style="margin-left: auto; margin-right: auto;"> <thead> <tr> <th>Status</th> <th>Default Value</th> </tr> </thead> <tbody> <tr> <td>Power On Sequence</td> <td>DM=0, RM=0</td> </tr> <tr> <td>SW Reset</td> <td>No change</td> </tr> <tr> <td>HW Reset</td> <td>DM=0, RM=0</td> </tr> </tbody> </table>													Status	Default Value	Power On Sequence	DM=0, RM=0	SW Reset	No change	HW Reset	DM=0, RM=0				
Status	Default Value																								
Power On Sequence	DM=0, RM=0																								
SW Reset	No change																								
HW Reset	DM=0, RM=0																								

**8.2.47. Sub-Panel Control Register (B5h)**

B5H	Sub-Panel Control Register																								
	D/CX	RDX	WRX	D17-8	D7	D6	D5	D4	D3	D2	D1	D0	HEX												
Command	0	1	↑	xx	1	0	1	1	0	1	0	1	B5												
1 <sup>st</sup> parameter	0	1	↑	xx	0	0	0	STN_EN	0	0	0	Sub_IM[0]	00												
Description	<b>Sub_IM[1:0]:</b> Sub-panel interface selection. <table border="1" style="margin-left: 40px;"> <thead> <tr> <th>Sub_IM</th> <th>Display Interface</th> </tr> </thead> <tbody> <tr> <td>0</td> <td>8-bit interface (default)</td> </tr> <tr> <td>1</td> <td>9-bit interface</td> </tr> </tbody> </table>													Sub_IM	Display Interface	0	8-bit interface (default)	1	9-bit interface						
	Sub_IM	Display Interface																							
0	8-bit interface (default)																								
1	9-bit interface																								
	<b>STN_EN[1:0]:</b> panel type selection. <table border="1" style="margin-left: 40px;"> <thead> <tr> <th>STN_EN</th> <th>Display Interface</th> </tr> </thead> <tbody> <tr> <td>0</td> <td>TFT Type sub-panel</td> </tr> <tr> <td>1</td> <td>STN Type sub-panel</td> </tr> </tbody> </table>													STN_EN	Display Interface	0	TFT Type sub-panel	1	STN Type sub-panel						
STN_EN	Display Interface																								
0	TFT Type sub-panel																								
1	STN Type sub-panel																								
Register Availability	<table border="1" style="margin-left: 40px;"> <thead> <tr> <th>Status</th> <th>Availability</th> </tr> </thead> <tbody> <tr> <td>Normal Mode On, Idle Mode Off, Sleep Out</td> <td>Yes</td> </tr> <tr> <td>Normal Mode On, Idle Mode On, Sleep Out</td> <td>Yes</td> </tr> <tr> <td>Partial Mode On, Idle Mode Off, Sleep Out</td> <td>Yes</td> </tr> <tr> <td>Partial Mode On, Idle Mode On, Sleep Out</td> <td>Yes</td> </tr> <tr> <td>Sleep In</td> <td>Yes</td> </tr> </tbody> </table>													Status	Availability	Normal Mode On, Idle Mode Off, Sleep Out	Yes	Normal Mode On, Idle Mode On, Sleep Out	Yes	Partial Mode On, Idle Mode Off, Sleep Out	Yes	Partial Mode On, Idle Mode On, Sleep Out	Yes	Sleep In	Yes
Status	Availability																								
Normal Mode On, Idle Mode Off, Sleep Out	Yes																								
Normal Mode On, Idle Mode On, Sleep Out	Yes																								
Partial Mode On, Idle Mode Off, Sleep Out	Yes																								
Partial Mode On, Idle Mode On, Sleep Out	Yes																								
Sleep In	Yes																								
Default	<table border="1" style="margin-left: 40px;"> <thead> <tr> <th>Status</th> <th>Default Value</th> </tr> </thead> <tbody> <tr> <td>Power On Sequence</td> <td>Sub_IM=0, STN_EN=0</td> </tr> <tr> <td>SW Reset</td> <td>No change</td> </tr> <tr> <td>HW Reset</td> <td>Sub_IM=0, STN_EN=0</td> </tr> </tbody> </table>													Status	Default Value	Power On Sequence	Sub_IM=0, STN_EN=0	SW Reset	No change	HW Reset	Sub_IM=0, STN_EN=0				
Status	Default Value																								
Power On Sequence	Sub_IM=0, STN_EN=0																								
SW Reset	No change																								
HW Reset	Sub_IM=0, STN_EN=0																								

**8.2.48. Backlight Control 1 (B8h)**

B8H	Backlight Control 1																																															
	D/CX	RDX	WRX	D17-8	D7	D6	D5	D4	D3	D2	D1	D0	HEX																																			
Command	0	1	↑	xx	1	0	1	1	1	0	0	0	B8																																			
2 <sup>nd</sup> parameter	0	↑	1	xx	0	0	0	0	TH_UI[3]	TH_UI[2]	TH_UI[1]	TH_UI[0]	04																																			
Description	<p><b>TH_UI[3:0]:</b> These bits are used to set the percentage of grayscale data accumulate histogram value in the user interface (UI) mode. This ratio of maximum number of pixels that makes display image white (=data "255") to the total of pixels by image processing.</p>																																															
	<table border="1" style="width: 100%; border-collapse: collapse;"> <thead> <tr> <th style="width: 50%;">TH_UI[3:0]</th> <th style="width: 50%;">Description</th> </tr> </thead> <tbody> <tr><td>4'0h</td><td>99%</td></tr> <tr><td>4'1h</td><td>98%</td></tr> <tr><td>4'2h</td><td>96%</td></tr> <tr><td>4'3h</td><td>94%</td></tr> <tr><td><b>4'4h</b></td><td><b>92%</b></td></tr> <tr><td>4'5h</td><td>90%</td></tr> <tr><td>4'6h</td><td>88%</td></tr> <tr><td>4'7h</td><td>86%</td></tr> </tbody> </table> <table border="1" style="width: 50%; margin-left: auto; border-collapse: collapse;"> <thead> <tr> <th style="width: 50%;">TH_UI[3:0]</th> <th style="width: 50%;">Description</th> </tr> </thead> <tbody> <tr><td>4'8h</td><td>84%</td></tr> <tr><td>4'9h</td><td>82%</td></tr> <tr><td>4'Ah</td><td>80%</td></tr> <tr><td>4'Bh</td><td>78%</td></tr> <tr><td>4'Ch</td><td>76%</td></tr> <tr><td>4'Dh</td><td>74%</td></tr> <tr><td>4'Eh</td><td>72%</td></tr> <tr><td>4'Fh</td><td>70%</td></tr> </tbody> </table>													TH_UI[3:0]	Description	4'0h	99%	4'1h	98%	4'2h	96%	4'3h	94%	<b>4'4h</b>	<b>92%</b>	4'5h	90%	4'6h	88%	4'7h	86%	TH_UI[3:0]	Description	4'8h	84%	4'9h	82%	4'Ah	80%	4'Bh	78%	4'Ch	76%	4'Dh	74%	4'Eh	72%	4'Fh
TH_UI[3:0]	Description																																															
4'0h	99%																																															
4'1h	98%																																															
4'2h	96%																																															
4'3h	94%																																															
<b>4'4h</b>	<b>92%</b>																																															
4'5h	90%																																															
4'6h	88%																																															
4'7h	86%																																															
TH_UI[3:0]	Description																																															
4'8h	84%																																															
4'9h	82%																																															
4'Ah	80%																																															
4'Bh	78%																																															
4'Ch	76%																																															
4'Dh	74%																																															
4'Eh	72%																																															
4'Fh	70%																																															
Register Availability	<table border="1" style="width: 100%; border-collapse: collapse;"> <thead> <tr> <th style="width: 70%;">Status</th> <th style="width: 30%;">Availability</th> </tr> </thead> <tbody> <tr><td>Normal Mode On, Idle Mode Off, Sleep Out</td><td>Yes</td></tr> <tr><td>Normal Mode On, Idle Mode On, Sleep Out</td><td>Yes</td></tr> <tr><td>Partial Mode On, Idle Mode Off, Sleep Out</td><td>Yes</td></tr> <tr><td>Partial Mode On, Idle Mode On, Sleep Out</td><td>Yes</td></tr> <tr><td>Sleep In</td><td>Yes</td></tr> </tbody> </table>													Status	Availability	Normal Mode On, Idle Mode Off, Sleep Out	Yes	Normal Mode On, Idle Mode On, Sleep Out	Yes	Partial Mode On, Idle Mode Off, Sleep Out	Yes	Partial Mode On, Idle Mode On, Sleep Out	Yes	Sleep In	Yes																							
	Status	Availability																																														
Normal Mode On, Idle Mode Off, Sleep Out	Yes																																															
Normal Mode On, Idle Mode On, Sleep Out	Yes																																															
Partial Mode On, Idle Mode Off, Sleep Out	Yes																																															
Partial Mode On, Idle Mode On, Sleep Out	Yes																																															
Sleep In	Yes																																															
Default	<table border="1" style="width: 100%; border-collapse: collapse;"> <thead> <tr> <th style="width: 50%;">Status</th> <th style="width: 50%;">Default Value</th> </tr> </thead> <tbody> <tr><td>Power On Sequence</td><td>TH_UI[3:0]=4'h04</td></tr> <tr><td>SW Reset</td><td>No change</td></tr> <tr><td>HW Reset</td><td>TH_UI[3:0]=4'h04</td></tr> </tbody> </table>													Status	Default Value	Power On Sequence	TH_UI[3:0]=4'h04	SW Reset	No change	HW Reset	TH_UI[3:0]=4'h04																											
	Status	Default Value																																														
Power On Sequence	TH_UI[3:0]=4'h04																																															
SW Reset	No change																																															
HW Reset	TH_UI[3:0]=4'h04																																															

**8.2.49. Backlight Control 2 (B9h)**

B8H	Backlight Control 2												HEX																																					
Command	D/CX	RDX	WRX	D17-8	D7	D6	D5	D4	D3	D2	D1	D0		B9																																				
2 <sup>nd</sup> parameter	0	1	↑	xx	1	0	1	1	1	0	0	1		B8																																				
	0	↑	1	xx	TH_MV [3]	TH_MV [2]	TH_MV [1]	TH_MV [0]	TH_ST [3]	TH_ST [2]	TH_ST [1]	TH_ST [0]																																						
Description	<p><b>TH_ST[3:0]:</b> These bits are used to set the percentage of grayscale data accumulate histogram value in the still picture mode. This ratio of maximum number of pixels that makes display image white (=data "255") to the total of pixels by image processing.</p> <table border="1" style="margin-left: auto; margin-right: auto;"> <thead> <tr> <th>TH_ST[3:0]</th> <th>Description</th> <th>TH_ST[3:0]</th> <th>Description</th> </tr> </thead> <tbody> <tr><td>4'0h</td><td>99%</td><td>4'8h</td><td>84%</td></tr> <tr><td>4'1h</td><td>98%</td><td>4'9h</td><td>82%</td></tr> <tr><td>4'2h</td><td>96%</td><td>4'Ah</td><td>80%</td></tr> <tr><td>4'3h</td><td>94%</td><td>4'Bh</td><td>78%</td></tr> <tr><td>4'4h</td><td>92%</td><td>4'Ch</td><td>76%</td></tr> <tr><td>4'5h</td><td>90%</td><td>4'Dh</td><td>74%</td></tr> <tr><td>4'6h</td><td>88%</td><td>4'Eh</td><td>72%</td></tr> <tr><td>4'7h</td><td>86%</td><td>4'Fh</td><td>70%</td></tr> </tbody> </table>														TH_ST[3:0]	Description	TH_ST[3:0]	Description	4'0h	99%	4'8h	84%	4'1h	98%	4'9h	82%	4'2h	96%	4'Ah	80%	4'3h	94%	4'Bh	78%	4'4h	92%	4'Ch	76%	4'5h	90%	4'Dh	74%	4'6h	88%	4'Eh	72%	4'7h	86%	4'Fh	70%
	TH_ST[3:0]	Description	TH_ST[3:0]	Description																																														
4'0h	99%	4'8h	84%																																															
4'1h	98%	4'9h	82%																																															
4'2h	96%	4'Ah	80%																																															
4'3h	94%	4'Bh	78%																																															
4'4h	92%	4'Ch	76%																																															
4'5h	90%	4'Dh	74%																																															
4'6h	88%	4'Eh	72%																																															
4'7h	86%	4'Fh	70%																																															
<p><b>TH_MV[3:0]:</b> These bits are used to set the percentage of grayscale data accumulate histogram value in the moving image mode. This ratio of maximum number of pixels that makes display image white (=data "255") to the total of pixels by image processing.</p> <table border="1" style="margin-left: auto; margin-right: auto;"> <thead> <tr> <th>TH_MV[3:0]</th> <th>Description</th> <th>TH_MV[3:0]</th> <th>Description</th> </tr> </thead> <tbody> <tr><td>4'0h</td><td>99%</td><td>4'8h</td><td>84%</td></tr> <tr><td>4'1h</td><td>98%</td><td>4'9h</td><td>82%</td></tr> <tr><td>4'2h</td><td>96%</td><td>4'Ah</td><td>80%</td></tr> <tr><td>4'3h</td><td>94%</td><td>4'Bh</td><td>78%</td></tr> <tr><td>4'4h</td><td>92%</td><td>4'Ch</td><td>76%</td></tr> <tr><td>4'5h</td><td>90%</td><td>4'Dh</td><td>74%</td></tr> <tr><td>4'6h</td><td>88%</td><td>4'Eh</td><td>72%</td></tr> <tr><td>4'7h</td><td>86%</td><td>4'Fh</td><td>70%</td></tr> </tbody> </table>														TH_MV[3:0]	Description	TH_MV[3:0]	Description	4'0h	99%	4'8h	84%	4'1h	98%	4'9h	82%	4'2h	96%	4'Ah	80%	4'3h	94%	4'Bh	78%	4'4h	92%	4'Ch	76%	4'5h	90%	4'Dh	74%	4'6h	88%	4'Eh	72%	4'7h	86%	4'Fh	70%	
TH_MV[3:0]	Description	TH_MV[3:0]	Description																																															
4'0h	99%	4'8h	84%																																															
4'1h	98%	4'9h	82%																																															
4'2h	96%	4'Ah	80%																																															
4'3h	94%	4'Bh	78%																																															
4'4h	92%	4'Ch	76%																																															
4'5h	90%	4'Dh	74%																																															
4'6h	88%	4'Eh	72%																																															
4'7h	86%	4'Fh	70%																																															

	<p>Histogram</p> <p>100%</p> <p>TH_MV[3:0] TH_ST[3:0] TH_UI[3:0]</p> <p>Dth</p> <p>255</p> <p>Gray Scales</p>												
Register Availability	<table border="1"> <thead> <tr> <th>Status</th> <th>Availability</th> </tr> </thead> <tbody> <tr> <td>Normal Mode On, Idle Mode Off, Sleep Out</td> <td>Yes</td> </tr> <tr> <td>Normal Mode On, Idle Mode On, Sleep Out</td> <td>Yes</td> </tr> <tr> <td>Partial Mode On, Idle Mode Off, Sleep Out</td> <td>Yes</td> </tr> <tr> <td>Partial Mode On, Idle Mode On, Sleep Out</td> <td>Yes</td> </tr> <tr> <td>Sleep In</td> <td>Yes</td> </tr> </tbody> </table>	Status	Availability	Normal Mode On, Idle Mode Off, Sleep Out	Yes	Normal Mode On, Idle Mode On, Sleep Out	Yes	Partial Mode On, Idle Mode Off, Sleep Out	Yes	Partial Mode On, Idle Mode On, Sleep Out	Yes	Sleep In	Yes
Status	Availability												
Normal Mode On, Idle Mode Off, Sleep Out	Yes												
Normal Mode On, Idle Mode On, Sleep Out	Yes												
Partial Mode On, Idle Mode Off, Sleep Out	Yes												
Partial Mode On, Idle Mode On, Sleep Out	Yes												
Sleep In	Yes												
Default	<table border="1"> <thead> <tr> <th>Status</th> <th>Default Value</th> </tr> </thead> <tbody> <tr> <td>Power On Sequence</td> <td>TH_MV[3:0]=4'h0B, TH_ST[3:0]=4'h08</td> </tr> <tr> <td>SW Reset</td> <td>No change</td> </tr> <tr> <td>HW Reset</td> <td>TH_MV[3:0]=4'h0B, TH_ST[3:0]=4'h08</td> </tr> </tbody> </table>	Status	Default Value	Power On Sequence	TH_MV[3:0]=4'h0B, TH_ST[3:0]=4'h08	SW Reset	No change	HW Reset	TH_MV[3:0]=4'h0B, TH_ST[3:0]=4'h08				
Status	Default Value												
Power On Sequence	TH_MV[3:0]=4'h0B, TH_ST[3:0]=4'h08												
SW Reset	No change												
HW Reset	TH_MV[3:0]=4'h0B, TH_ST[3:0]=4'h08												

**8.2.50. Backlight Control 3 (BAh)**

B8H	Backlight Control 3																																										
	D/CX	RDX	WRX	D17-8	D7	D6	D5	D4	D3	D2	D1	D0	HEX																														
Command	0	1	↑	xx	1	0	1	1	1	0	1	0	BA																														
2 <sup>nd</sup> parameter	0	↑	1	xx	0	0	0	0	DTH_UI[3]	DTH_UI[2]	DTH_UI[1]	DTH_UI[0]	04																														
Description	<p><b>DTH_UI[3:0]:</b> This parameter is used set the minimum limitation of grayscale threshold value in User Icon (UI) image mode.</p> <p>This register setting will limit the minimum Dth value to prevent the display image from being too white and the display quality is not acceptable.</p>																																										
	<table border="1"> <thead> <tr> <th>DTH_UI[3:0]</th> <th>Description</th> </tr> </thead> <tbody> <tr><td>4'0h</td><td>252</td></tr> <tr><td>4'1h</td><td>248</td></tr> <tr><td>4'2h</td><td>244</td></tr> <tr><td>4'3h</td><td>240</td></tr> <tr><td><b>4'4h</b></td><td><b>236</b></td></tr> <tr><td>4'5h</td><td>232</td></tr> <tr><td>4'6h</td><td>228</td></tr> <tr><td>4'7h</td><td>224</td></tr> </tbody> </table>				DTH_UI[3:0]	Description	4'0h	252	4'1h	248	4'2h	244	4'3h	240	<b>4'4h</b>	<b>236</b>	4'5h	232	4'6h	228	4'7h	224	<table border="1"> <thead> <tr> <th>DTH_UI[3:0]</th> <th>Description</th> </tr> </thead> <tbody> <tr><td>4'8h</td><td>220</td></tr> <tr><td>4'9h</td><td>216</td></tr> <tr><td>4'Ah</td><td>212</td></tr> <tr><td>4'Bh</td><td>208</td></tr> <tr><td>4'Ch</td><td>204</td></tr> <tr><td>4'Dh</td><td>200</td></tr> <tr><td>4'Eh</td><td>196</td></tr> <tr><td>4'Fh</td><td>192</td></tr> </tbody> </table>				DTH_UI[3:0]	Description	4'8h	220	4'9h	216	4'Ah	212	4'Bh	208	4'Ch	204	4'Dh	200	4'Eh	196	4'Fh
DTH_UI[3:0]	Description																																										
4'0h	252																																										
4'1h	248																																										
4'2h	244																																										
4'3h	240																																										
<b>4'4h</b>	<b>236</b>																																										
4'5h	232																																										
4'6h	228																																										
4'7h	224																																										
DTH_UI[3:0]	Description																																										
4'8h	220																																										
4'9h	216																																										
4'Ah	212																																										
4'Bh	208																																										
4'Ch	204																																										
4'Dh	200																																										
4'Eh	196																																										
4'Fh	192																																										
Register Availability	<table border="1"> <thead> <tr> <th>Status</th> <th>Availability</th> </tr> </thead> <tbody> <tr><td>Normal Mode On, Idle Mode Off, Sleep Out</td><td>Yes</td></tr> <tr><td>Normal Mode On, Idle Mode On, Sleep Out</td><td>Yes</td></tr> <tr><td>Partial Mode On, Idle Mode Off, Sleep Out</td><td>Yes</td></tr> <tr><td>Partial Mode On, Idle Mode On, Sleep Out</td><td>Yes</td></tr> <tr><td>Sleep In</td><td>Yes</td></tr> </tbody> </table>													Status	Availability	Normal Mode On, Idle Mode Off, Sleep Out	Yes	Normal Mode On, Idle Mode On, Sleep Out	Yes	Partial Mode On, Idle Mode Off, Sleep Out	Yes	Partial Mode On, Idle Mode On, Sleep Out	Yes	Sleep In	Yes																		
	Status	Availability																																									
Normal Mode On, Idle Mode Off, Sleep Out	Yes																																										
Normal Mode On, Idle Mode On, Sleep Out	Yes																																										
Partial Mode On, Idle Mode Off, Sleep Out	Yes																																										
Partial Mode On, Idle Mode On, Sleep Out	Yes																																										
Sleep In	Yes																																										
Default	<table border="1"> <thead> <tr> <th>Status</th> <th>Default Value</th> </tr> </thead> <tbody> <tr><td>Power On Sequence</td><td>DTH_UI[3:0]=4'h04</td></tr> <tr><td>SW Reset</td><td>No change</td></tr> <tr><td>HW Reset</td><td>DTH_UI[3:0]=4'h04</td></tr> </tbody> </table>													Status	Default Value	Power On Sequence	DTH_UI[3:0]=4'h04	SW Reset	No change	HW Reset	DTH_UI[3:0]=4'h04																						
	Status	Default Value																																									
Power On Sequence	DTH_UI[3:0]=4'h04																																										
SW Reset	No change																																										
HW Reset	DTH_UI[3:0]=4'h04																																										

**8.2.51. Backlight Control 4 (BBh)**

B8H	Backlight Control 4												HEX																															
Command	D/CX	RDX	WRX	D17-8	D7	D6	D5	D4	D3	D2	D1	D0	BB																															
2 <sup>nd</sup> parameter	0	1	↑	xx	1	0	1	1	1	0	1	1	C9																															
	0	↑	1	xx	DTH_MV [3]	DTH_MV [2]	DTH_MV [1]	DTH_MV [0]	DTH_ST [3]	DTH_ST [2]	DTH_ST [1]	DTH_ST [0]																																
Description	<p><b>DTH_ST[3:0]/DTH_MV[3:0]:</b> This parameter is used set the minimum limitation of grayscale threshold value. This register setting will limit the minimum Dth value to prevent the display image from being too white and the display quality is not acceptable.</p>																																											
	<table border="1"> <thead> <tr> <th>DTH_ST[3:0]</th> <th>Description</th> </tr> </thead> <tbody> <tr><td>4'0h</td><td>224</td></tr> <tr><td>4'1h</td><td>220</td></tr> <tr><td>4'2h</td><td>216</td></tr> <tr><td>4'3h</td><td>212</td></tr> <tr><td>4'4h</td><td>208</td></tr> <tr><td>4'5h</td><td>204</td></tr> <tr><td>4'6h</td><td>200</td></tr> <tr><td>4'7h</td><td>196</td></tr> </tbody> </table>				DTH_ST[3:0]	Description	4'0h	224	4'1h	220	4'2h	216	4'3h	212	4'4h	208	4'5h	204	4'6h	200	4'7h	196	<table border="1"> <thead> <tr> <th>DTH_ST[3:0]</th> <th>Description</th> </tr> </thead> <tbody> <tr><td>4'8h</td><td>192</td></tr> <tr><td><b>4'9h</b></td><td><b>188</b></td></tr> <tr><td>4'Ah</td><td>184</td></tr> <tr><td>4'Bh</td><td>180</td></tr> <tr><td>4'Ch</td><td>176</td></tr> <tr><td>4'Dh</td><td>172</td></tr> <tr><td>4'Eh</td><td>168</td></tr> <tr><td>4'Fh</td><td>164</td></tr> </tbody> </table>				DTH_ST[3:0]	Description	4'8h	192	<b>4'9h</b>	<b>188</b>	4'Ah	184	4'Bh	180	4'Ch	176	4'Dh	172	4'Eh	168	4'Fh	164
	DTH_ST[3:0]	Description																																										
	4'0h	224																																										
	4'1h	220																																										
	4'2h	216																																										
	4'3h	212																																										
	4'4h	208																																										
	4'5h	204																																										
	4'6h	200																																										
4'7h	196																																											
DTH_ST[3:0]	Description																																											
4'8h	192																																											
<b>4'9h</b>	<b>188</b>																																											
4'Ah	184																																											
4'Bh	180																																											
4'Ch	176																																											
4'Dh	172																																											
4'Eh	168																																											
4'Fh	164																																											
<table border="1"> <thead> <tr> <th>DTH_MV[3:0]</th> <th>Description</th> </tr> </thead> <tbody> <tr><td>4'0h</td><td>224</td></tr> <tr><td>4'1h</td><td>220</td></tr> <tr><td>4'2h</td><td>216</td></tr> <tr><td>4'3h</td><td>212</td></tr> <tr><td>4'4h</td><td>208</td></tr> <tr><td>4'5h</td><td>204</td></tr> <tr><td>4'6h</td><td>200</td></tr> <tr><td>4'7h</td><td>196</td></tr> </tbody> </table>				DTH_MV[3:0]	Description	4'0h	224	4'1h	220	4'2h	216	4'3h	212	4'4h	208	4'5h	204	4'6h	200	4'7h	196	<table border="1"> <thead> <tr> <th>DTH_MV[3:0]</th> <th>Description</th> </tr> </thead> <tbody> <tr><td>4'8h</td><td>192</td></tr> <tr><td>4'9h</td><td>188</td></tr> <tr><td>4'Ah</td><td>184</td></tr> <tr><td>4'Bh</td><td>180</td></tr> <tr><td><b>4'Ch</b></td><td><b>176</b></td></tr> <tr><td>4'Dh</td><td>172</td></tr> <tr><td>4'Eh</td><td>168</td></tr> <tr><td>4'Fh</td><td>164</td></tr> </tbody> </table>				DTH_MV[3:0]	Description	4'8h	192	4'9h	188	4'Ah	184	4'Bh	180	<b>4'Ch</b>	<b>176</b>	4'Dh	172	4'Eh	168	4'Fh	164	
DTH_MV[3:0]	Description																																											
4'0h	224																																											
4'1h	220																																											
4'2h	216																																											
4'3h	212																																											
4'4h	208																																											
4'5h	204																																											
4'6h	200																																											
4'7h	196																																											
DTH_MV[3:0]	Description																																											
4'8h	192																																											
4'9h	188																																											
4'Ah	184																																											
4'Bh	180																																											
<b>4'Ch</b>	<b>176</b>																																											
4'Dh	172																																											
4'Eh	168																																											
4'Fh	164																																											
<p>The graph plots Transmittance on the y-axis against Gray Scales on the x-axis. A red curve starts at the origin (0,0) and increases with a concave-down shape, eventually reaching a constant maximum transmittance level. A vertical dashed line labeled 'DTH' indicates the grayscale threshold where the transmittance begins to plateau. A second vertical dashed line is labeled '255', representing the maximum grayscale value.</p>																																												

Register Availability	<table border="1"> <thead> <tr> <th>Status</th> <th>Availability</th> </tr> </thead> <tbody> <tr> <td>Normal Mode On, Idle Mode Off, Sleep Out</td> <td>Yes</td> </tr> <tr> <td>Normal Mode On, Idle Mode On, Sleep Out</td> <td>Yes</td> </tr> <tr> <td>Partial Mode On, Idle Mode Off, Sleep Out</td> <td>Yes</td> </tr> <tr> <td>Partial Mode On, Idle Mode On, Sleep Out</td> <td>Yes</td> </tr> <tr> <td>Sleep In</td> <td>Yes</td> </tr> </tbody> </table>		Status	Availability	Normal Mode On, Idle Mode Off, Sleep Out	Yes	Normal Mode On, Idle Mode On, Sleep Out	Yes	Partial Mode On, Idle Mode Off, Sleep Out	Yes	Partial Mode On, Idle Mode On, Sleep Out	Yes	Sleep In	Yes
	Status	Availability												
	Normal Mode On, Idle Mode Off, Sleep Out	Yes												
	Normal Mode On, Idle Mode On, Sleep Out	Yes												
	Partial Mode On, Idle Mode Off, Sleep Out	Yes												
	Partial Mode On, Idle Mode On, Sleep Out	Yes												
Sleep In	Yes													
Default	<table border="1"> <thead> <tr> <th>Status</th> <th>Default Value</th> </tr> </thead> <tbody> <tr> <td>Power On Sequence</td> <td>DTH_MV[3:0]=4'h0C, DTH_ST[3:0]=4'h09</td> </tr> <tr> <td>SW Reset</td> <td>No change</td> </tr> <tr> <td>HW Reset</td> <td>DTH_MV[3:0]=4'h0C, DTH_ST[3:0]=4'h09</td> </tr> </tbody> </table>		Status	Default Value	Power On Sequence	DTH_MV[3:0]=4'h0C, DTH_ST[3:0]=4'h09	SW Reset	No change	HW Reset	DTH_MV[3:0]=4'h0C, DTH_ST[3:0]=4'h09				
	Status	Default Value												
	Power On Sequence	DTH_MV[3:0]=4'h0C, DTH_ST[3:0]=4'h09												
	SW Reset	No change												
HW Reset	DTH_MV[3:0]=4'h0C, DTH_ST[3:0]=4'h09													

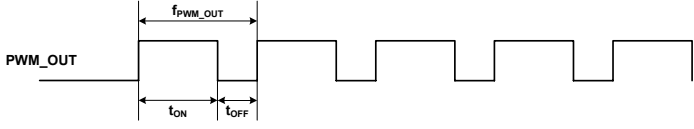


**8.2.52. Backlight Control 5 (BCh)**

B8H	Backlight Control 5												HEX																			
Command	D/CX	RDX	WRX	D17-8	D7	D6	D5	D4	D3	D2	D1	D0	BC																			
2 <sup>nd</sup> parameter	0	1	↑	xx	1	0	1	1	1	1	0	0	44																			
	0	↑	1	xx	DIM2[3]	DIM2[2]	DIM2[1]	DIM2[0]	0	DIM1[2]	DIM1[1]	DIM1[0]																				
Description	<p><b>DIM1[2:0]:</b> This parameter is used to set the transition time of brightness level to avoid the sharp brightness transition on vision.</p> <table border="1"> <thead> <tr> <th>DIM1[2:0]</th> <th>Description</th> </tr> </thead> <tbody> <tr><td>3'0h</td><td>1 frame</td></tr> <tr><td>3'1h</td><td>1 frame</td></tr> <tr><td>3'2h</td><td>2 frames</td></tr> <tr><td>3'3h</td><td>4 frames</td></tr> <tr><td><b>3'4h</b></td><td><b>8 frames</b></td></tr> <tr><td>3'5h</td><td>16 frames</td></tr> <tr><td>3'6h</td><td>32 frames</td></tr> <tr><td>3'7h</td><td>64 frames</td></tr> </tbody> </table> <p><b>DIM2[3:0]:</b> This parameter is used to set the threshold of brightness change. When the brightness transition difference is smaller than <b>DIM2[3:0]</b>, the brightness transition will be ignored. For example: If <math>  \text{brightness B} - \text{brightness A}   &lt; \text{DIM2[2:0]}</math>, the brightness transition will be ignored and keep the brightness A.</p>													DIM1[2:0]	Description	3'0h	1 frame	3'1h	1 frame	3'2h	2 frames	3'3h	4 frames	<b>3'4h</b>	<b>8 frames</b>	3'5h	16 frames	3'6h	32 frames	3'7h	64 frames	
	DIM1[2:0]	Description																														
3'0h	1 frame																															
3'1h	1 frame																															
3'2h	2 frames																															
3'3h	4 frames																															
<b>3'4h</b>	<b>8 frames</b>																															
3'5h	16 frames																															
3'6h	32 frames																															
3'7h	64 frames																															
Register Availability	<table border="1"> <thead> <tr> <th>Status</th> <th>Availability</th> </tr> </thead> <tbody> <tr><td>Normal Mode On, Idle Mode Off, Sleep Out</td><td>Yes</td></tr> <tr><td>Normal Mode On, Idle Mode On, Sleep Out</td><td>Yes</td></tr> <tr><td>Partial Mode On, Idle Mode Off, Sleep Out</td><td>Yes</td></tr> <tr><td>Partial Mode On, Idle Mode On, Sleep Out</td><td>Yes</td></tr> <tr><td>Sleep In</td><td>Yes</td></tr> </tbody> </table>													Status	Availability	Normal Mode On, Idle Mode Off, Sleep Out	Yes	Normal Mode On, Idle Mode On, Sleep Out	Yes	Partial Mode On, Idle Mode Off, Sleep Out	Yes	Partial Mode On, Idle Mode On, Sleep Out	Yes	Sleep In	Yes							
Status	Availability																															
Normal Mode On, Idle Mode Off, Sleep Out	Yes																															
Normal Mode On, Idle Mode On, Sleep Out	Yes																															
Partial Mode On, Idle Mode Off, Sleep Out	Yes																															
Partial Mode On, Idle Mode On, Sleep Out	Yes																															
Sleep In	Yes																															

Default									
	<table border="1"> <thead> <tr> <th>Status</th> <th>Default Value</th> </tr> </thead> <tbody> <tr> <td>Power On Sequence</td> <td>DIM2[3:0]=4'h04, DIM1[2:0]=4'h04</td> </tr> <tr> <td>SW Reset</td> <td>No change</td> </tr> <tr> <td>HW Reset</td> <td>DIM2[3:0]=4'h04, DIM1[2:0]=4'h04</td> </tr> </tbody> </table>	Status	Default Value	Power On Sequence	DIM2[3:0]=4'h04, DIM1[2:0]=4'h04	SW Reset	No change	HW Reset	DIM2[3:0]=4'h04, DIM1[2:0]=4'h04
	Status	Default Value							
	Power On Sequence	DIM2[3:0]=4'h04, DIM1[2:0]=4'h04							
SW Reset	No change								
HW Reset	DIM2[3:0]=4'h04, DIM1[2:0]=4'h04								

**8.2.53. Backlight Control 7 (BEh)**

B9H	Backlight Control 7																																				
	D/CX	RDX	WRX	D17-8	D7	D6	D5	D4	D3	D2	D1	D0	HEX																								
Command	0	1	↑	xx	1	0	1	1	1	1	1	0	BE																								
1 <sup>st</sup> parameter	0	↑	1	xx	PWM_ DIV[7]	PWM_ DIV[6]	PWM_ DIV[5]	PWM_ DIV[4]	PWM_ DIV[3]	PWM_ DIV[2]	PWM_ DIV[1]	PWM_ DIV[0]	0F																								
Description	<p><b>PWM_DIV[7:0]:</b> PWM_OUT output frequency control. This command is used to adjust the PWM waveform frequency of PWM_OUT. The PWM frequency can be calculated by using the following equation.</p> $f_{pwm\_out} = \frac{8MHz}{(PWM\_DIV[7:0]+1) \times 255}$ <table border="1" style="margin-left: auto; margin-right: auto;"> <thead> <tr> <th>PWM_DIV[7:0]</th> <th>f<sub>PWM_OUT</sub></th> </tr> </thead> <tbody> <tr><td>8'h0</td><td>31.37 KHz</td></tr> <tr><td>8'h1</td><td>15.69 KHz</td></tr> <tr><td>8'h2</td><td>10.46KHz</td></tr> <tr><td>8'h3</td><td>7.843 KHz</td></tr> <tr><td>8'h4</td><td>6.27 KHz</td></tr> <tr><td>...</td><td>...</td></tr> <tr><td>8'hFB</td><td>523Hz</td></tr> <tr><td>8'hFC</td><td>514Hz</td></tr> <tr><td>8'hFD</td><td>506Hz</td></tr> <tr><td>8'hFE</td><td>498Hz</td></tr> <tr><td>8'hFF</td><td>490Hz</td></tr> </tbody> </table>  <p><b>Note:</b> The output frequency tolerance of internal frequency divider in CABC is ±10%</p>													PWM_DIV[7:0]	f <sub>PWM_OUT</sub>	8'h0	31.37 KHz	8'h1	15.69 KHz	8'h2	10.46KHz	8'h3	7.843 KHz	8'h4	6.27 KHz	...	...	8'hFB	523Hz	8'hFC	514Hz	8'hFD	506Hz	8'hFE	498Hz	8'hFF	490Hz
	PWM_DIV[7:0]	f <sub>PWM_OUT</sub>																																			
8'h0	31.37 KHz																																				
8'h1	15.69 KHz																																				
8'h2	10.46KHz																																				
8'h3	7.843 KHz																																				
8'h4	6.27 KHz																																				
...	...																																				
8'hFB	523Hz																																				
8'hFC	514Hz																																				
8'hFD	506Hz																																				
8'hFE	498Hz																																				
8'hFF	490Hz																																				
Register Availability	<table border="1" style="margin-left: auto; margin-right: auto;"> <thead> <tr> <th>Status</th> <th>Availability</th> </tr> </thead> <tbody> <tr><td>Normal Mode On, Idle Mode Off, Sleep Out</td><td>Yes</td></tr> <tr><td>Normal Mode On, Idle Mode On, Sleep Out</td><td>Yes</td></tr> <tr><td>Partial Mode On, Idle Mode Off, Sleep Out</td><td>Yes</td></tr> <tr><td>Partial Mode On, Idle Mode On, Sleep Out</td><td>Yes</td></tr> <tr><td>Sleep In</td><td>Yes</td></tr> </tbody> </table>													Status	Availability	Normal Mode On, Idle Mode Off, Sleep Out	Yes	Normal Mode On, Idle Mode On, Sleep Out	Yes	Partial Mode On, Idle Mode Off, Sleep Out	Yes	Partial Mode On, Idle Mode On, Sleep Out	Yes	Sleep In	Yes												
Status	Availability																																				
Normal Mode On, Idle Mode Off, Sleep Out	Yes																																				
Normal Mode On, Idle Mode On, Sleep Out	Yes																																				
Partial Mode On, Idle Mode Off, Sleep Out	Yes																																				
Partial Mode On, Idle Mode On, Sleep Out	Yes																																				
Sleep In	Yes																																				
Default	<table border="1" style="margin-left: auto; margin-right: auto;"> <thead> <tr> <th>Status</th> <th>Default Value</th> </tr> </thead> <tbody> <tr><td>Power On Sequence</td><td>PWM_DIV[7:0]=8'h0F</td></tr> <tr><td>SW Reset</td><td>No change</td></tr> <tr><td>HW Reset</td><td>PWM_DIV[7:0]=8'h0F</td></tr> </tbody> </table>													Status	Default Value	Power On Sequence	PWM_DIV[7:0]=8'h0F	SW Reset	No change	HW Reset	PWM_DIV[7:0]=8'h0F																
Status	Default Value																																				
Power On Sequence	PWM_DIV[7:0]=8'h0F																																				
SW Reset	No change																																				
HW Reset	PWM_DIV[7:0]=8'h0F																																				

**8.2.54. Backlight Control 8 (BFh)**

B9H	Backlight Control 2																											
	D/CX	RDX	WRX	D17-8	D7	D6	D5	D4	D3	D2	D1	D0	HEX															
Command	0	1	↑	xx	1	0	1	1	1	1	1	1	BF															
1 <sup>st</sup> parameter	0	↑	1	xx	0	0	0	0	0	LEDONR	LEDONPOL	LEDPWMPOL	00															
Description	LEDPWMPOL: The bit is used to define polarity of LEDPWM signal.																											
	<table border="1"> <thead> <tr> <th>BL</th> <th>LEDPWMPOL</th> <th>LEDPWM pin</th> </tr> </thead> <tbody> <tr> <td>0</td> <td>0</td> <td>0</td> </tr> <tr> <td>0</td> <td>1</td> <td>1</td> </tr> <tr> <td>1</td> <td>0</td> <td>Original polarity of PWM signal</td> </tr> <tr> <td>1</td> <td>1</td> <td>Inversed polarity of PWM signal</td> </tr> </tbody> </table>													BL	LEDPWMPOL	LEDPWM pin	0	0	0	0	1	1	1	0	Original polarity of PWM signal	1	1	Inversed polarity of PWM signal
	BL	LEDPWMPOL	LEDPWM pin																									
	0	0	0																									
0	1	1																										
1	0	Original polarity of PWM signal																										
1	1	Inversed polarity of PWM signal																										
LEDONPOL: This bit is used to control LEDON pin.																												
<table border="1"> <thead> <tr> <th>BL</th> <th>LEDONPOL</th> <th>LEDON pin</th> </tr> </thead> <tbody> <tr> <td>0</td> <td>0</td> <td>0</td> </tr> <tr> <td>0</td> <td>1</td> <td>1</td> </tr> <tr> <td>1</td> <td>0</td> <td>LEDONR</td> </tr> <tr> <td>1</td> <td>1</td> <td>Inversed LEDONR</td> </tr> </tbody> </table>													BL	LEDONPOL	LEDON pin	0	0	0	0	1	1	1	0	LEDONR	1	1	Inversed LEDONR	
BL	LEDONPOL	LEDON pin																										
0	0	0																										
0	1	1																										
1	0	LEDONR																										
1	1	Inversed LEDONR																										
Register Availability	LEDONR: This bit is used to control LEDON pin.																											
	<table border="1"> <thead> <tr> <th>LEDONR</th> <th>Description</th> </tr> </thead> <tbody> <tr> <td>0</td> <td>Low</td> </tr> <tr> <td>1</td> <td>High</td> </tr> </tbody> </table>													LEDONR	Description	0	Low	1	High									
	LEDONR	Description																										
	0	Low																										
1	High																											
<table border="1"> <thead> <tr> <th>Status</th> <th>Availability</th> </tr> </thead> <tbody> <tr> <td>Normal Mode On, Idle Mode Off, Sleep Out</td> <td>Yes</td> </tr> <tr> <td>Normal Mode On, Idle Mode On, Sleep Out</td> <td>Yes</td> </tr> <tr> <td>Partial Mode On, Idle Mode Off, Sleep Out</td> <td>Yes</td> </tr> <tr> <td>Partial Mode On, Idle Mode On, Sleep Out</td> <td>Yes</td> </tr> <tr> <td>Sleep In</td> <td>Yes</td> </tr> </tbody> </table>													Status	Availability	Normal Mode On, Idle Mode Off, Sleep Out	Yes	Normal Mode On, Idle Mode On, Sleep Out	Yes	Partial Mode On, Idle Mode Off, Sleep Out	Yes	Partial Mode On, Idle Mode On, Sleep Out	Yes	Sleep In	Yes				
Status	Availability																											
Normal Mode On, Idle Mode Off, Sleep Out	Yes																											
Normal Mode On, Idle Mode On, Sleep Out	Yes																											
Partial Mode On, Idle Mode Off, Sleep Out	Yes																											
Partial Mode On, Idle Mode On, Sleep Out	Yes																											
Sleep In	Yes																											
Default	<table border="1"> <thead> <tr> <th>Status</th> <th>Default Value</th> </tr> </thead> <tbody> <tr> <td>Power On Sequence</td> <td>LEDPWMPOL=0, LEDONPOL=0, LEDONR=0</td> </tr> <tr> <td>SW Reset</td> <td>No change</td> </tr> <tr> <td>HW Reset</td> <td>LEDPWMPOL=0, LEDONPOL=0, LEDONR=0</td> </tr> </tbody> </table>													Status	Default Value	Power On Sequence	LEDPWMPOL=0, LEDONPOL=0, LEDONR=0	SW Reset	No change	HW Reset	LEDPWMPOL=0, LEDONPOL=0, LEDONR=0							
	Status	Default Value																										
	Power On Sequence	LEDPWMPOL=0, LEDONPOL=0, LEDONR=0																										
	SW Reset	No change																										
HW Reset	LEDPWMPOL=0, LEDONPOL=0, LEDONR=0																											

**8.2.55. Panel Driving Setting (C0h)**

C0H	Panel Driving Setting												
	D/CX	RDX	WRX	D17-8	D7	D6	D5	D4	D3	D2	D1	D0	HEX
Command	0	1	↑	x	1	1	0	0	0	0	0	0	C0
1 <sup>st</sup> Parameter	1	1	↑	0	0	0	0	REV	SM	GS	BGR	SS	00
2 <sup>nd</sup> Parameter	1	1	↑	0	0	0	NL [5]	NL [4]	NL [3]	NL [2]	NL [1]	NL [0]	35
3 <sup>rd</sup> Parameter	1	1	↑	0	0	SCN [6]	SCN [5]	SCN [4]	SCN [3]	SCN [2]	SCN [1]	SCN [0]	00
4 <sup>th</sup> Parameter	1	1	↑	0	0	0	0	0	0	0	PTS [1]	PTS [0]	00
5 <sup>th</sup> Parameter	1	1	↑	0	0	0	0	PTG	ISC [3]	ISC [2]	ISC [1]	ISC [0]	01
6 <sup>th</sup> Parameter	1	1	↑	0	0	0	0	0	0	0	DIVE [1]	DIVE [0]	02

Description	<p><b>SS</b></p> <p>The bit is used to select the shifting direction of the source driver output.</p> <p>SS=0: S1 to S720 (Default)</p> <p>SS=1: S720 to S1</p>																										
	<p><b>BGR</b></p> <p>The bit is used to reverse 18-bit write data in the Frame Memory from RGB to BGR. Set in accordance with arrangement of color filters.</p> <p>BGR=0: Display data is in RGB sequence. (Default)</p> <p>BGR=1: Display data is in BGR sequence.</p>																										
	<p><b>REV:</b> Enables the grayscale inversion of the image by setting REV=1.</p> <table border="1" style="margin-left: auto; margin-right: auto;"> <thead> <tr> <th rowspan="2">REV</th> <th rowspan="2">GRAM Data</th> <th colspan="2">Source Output in Display Area</th> </tr> <tr> <th>Positive polarity</th> <th>negative polarity</th> </tr> </thead> <tbody> <tr> <td rowspan="3">0</td> <td>18'h00000</td> <td>V63</td> <td>V0</td> </tr> <tr> <td>:</td> <td>:</td> <td>:</td> </tr> <tr> <td>18'h3FFFF</td> <td>V0</td> <td>V63</td> </tr> <tr> <td rowspan="3">1</td> <td>18'h00000</td> <td>V0</td> <td>V63</td> </tr> <tr> <td>:</td> <td>:</td> <td>:</td> </tr> <tr> <td>18'h3FFFF</td> <td>V63</td> <td>V0</td> </tr> </tbody> </table>	REV	GRAM Data	Source Output in Display Area		Positive polarity	negative polarity	0	18'h00000	V63	V0	:	:	:	18'h3FFFF	V0	V63	1	18'h00000	V0	V63	:	:	:	18'h3FFFF	V63	V0
REV	GRAM Data			Source Output in Display Area																							
		Positive polarity	negative polarity																								
0	18'h00000	V63	V0																								
	:	:	:																								
	18'h3FFFF	V0	V63																								
1	18'h00000	V0	V63																								
	:	:	:																								
	18'h3FFFF	V63	V0																								
	<p><b>SM:</b> Sets the gate driver pin arrangement in combination with the GS bit to select the optimal scan mode for the module.</p>																										

SM	GS	Scan Direction	Gate Output Sequence
0	0		<p>G1, G2, G3, G4, ..., G428 G429, G430, G431, G432</p>
0	1		<p>G432, G431, G430, ..., G9 G7, G5, G4, G3, G2, G1</p>
1	0		<p>G1, G3, G5, G7, ..., G423 G425, G427, G429, G431 G2, G4, G6, G8, ..., G424 G426, G428, G430, G432</p>
1	1		<p>G432, G430, G428, ..., G14 G12, G10, G8, G6, G4, G2 G431, G429, G427, ..., G13 G11, G9, G7, G5, G3, G1</p>

**NL[5:0]:** Sets the number of lines to drive the LCD at an interval of 8 lines. The GRAM address mapping is not affected by the number of lines set by NL[5:0]. The number of lines must be the same or more than the number of lines necessary for the size of the liquid crystal panel.

NL[5:0]	LCD Drive Line
6'h00 ~ 6'h35	8 * (NL5:0)+1) lines
Others	Setting inhibited

**SCN[6:0]:** Specifies the gate line where the gate driver starts scan

SCN[6:0]	Scanning Start Position			
	SM=0		SM=1	
	GS=0	GS=1	GS=0	GS=1
00h ~ 35h	G[1+SCN[6:0]*4]	G[432 - SCN[6:0]*4]	G[ 1+SCN[6:0]*8 ]	G[ 432 - SCN[6:0]*8 ]
36h ~ 6Bh	G[1+SCN[6:0]*4]	G[432 - SCN[6:0]*4]	G[2+(SCN[6:0]-36h)*8]	G[431 - (SCN[6:0]-36h)*8]
Others	Setting disabled	Setting disabled	Setting disabled	Setting disabled

**PTG:** Sets the scan mode in non-display area. Select frame-inversion when interval-scan is selected.

PTG	Scan Mode in non-display area
0	Normal Scan
1	Interval Scan

**ISC[3:0]:** Set the scan cycle when PTG selects interval scan in non-display area drive period. The scan cycle is defined by n frame periods, where n is an odd number from 3 to 31. The polarity of liquid crystal drive voltage from the gate driver is inverted in the same timing as the interval scan cycle.

ISC[3:0]	Scan cycle	(f <sub>FRAME</sub> )=60Hz
4'h0	Setting inhibited	-
4'h1	3 frames	50ms
4'h2	5 frames	84ms
4'h3	7 frames	117ms
4'h4	9 frames	150ms
4'h5	11 frames	184ms
4'h6	13 frames	217ms
4'h7	15 frames	251ms
4'h8	17 frames	284ms
4'h9	19 frames	317ms
4'hA	21 frames	351ms
4'hB	23 frames	384ms
4'hC	25 frames	418ms
4'hD	27 frames	451ms
4'hE	29 frames	484ms
4'hF	31 frames	518ms

**PTS[2:0]:**

Set the source output level in non-display area drive period (front/back porch period and blank area between partial displays).

When PTS[2] = 1, the operation of amplifiers which generates the grayscales other than V0 and V63 are halted and the step-up clock frequency becomes half the normal frequency in non-display drive period in order to reduce power consumption.

PTS[1:0]	Source output level		Grayscale amplifier in operation	Step-up clock frequency
	Positive polarity	Negative polarity		
00	V63	V0	V63 and V0	Register Setting(DC1, DC0)
01	V0	V63	-	-
10	GND	GND	V63 and V0	Register Setting(DC1, DC0)
11	Hi-Z	Hi-Z	V63 and V0	Register Setting(DC1, DC0)

**DIVE[1:0]:** DIVE[1:0] is used to set division ratio of PCLK clock frequency when the DPI interface is selected.

The divided PCLK will be used as internal clock for the source driver pre-charge, VCOM equalizing, etc.

		<b>DIVE[1:0]</b>	<b>Division Ratio</b>												
		2'h0	1/1												
		2'h1	1/2												
		2'h2	1/4												
		2'h3	1/8												
Restriction	-														
Register Availability		<table border="1"> <thead> <tr> <th>Status</th> <th>Availability</th> </tr> </thead> <tbody> <tr> <td>Normal Mode On, Idle Mode Off, Sleep Out</td> <td>Yes</td> </tr> <tr> <td>Normal Mode On, Idle Mode On, Sleep Out</td> <td>Yes</td> </tr> <tr> <td>Partial Mode On, Idle Mode Off, Sleep Out</td> <td>Yes</td> </tr> <tr> <td>Partial Mode On, Idle Mode On, Sleep Out</td> <td>Yes</td> </tr> <tr> <td>Sleep In</td> <td>Yes</td> </tr> </tbody> </table>	Status	Availability	Normal Mode On, Idle Mode Off, Sleep Out	Yes	Normal Mode On, Idle Mode On, Sleep Out	Yes	Partial Mode On, Idle Mode Off, Sleep Out	Yes	Partial Mode On, Idle Mode On, Sleep Out	Yes	Sleep In	Yes	
Status	Availability														
Normal Mode On, Idle Mode Off, Sleep Out	Yes														
Normal Mode On, Idle Mode On, Sleep Out	Yes														
Partial Mode On, Idle Mode Off, Sleep Out	Yes														
Partial Mode On, Idle Mode On, Sleep Out	Yes														
Sleep In	Yes														
Default		<table border="1"> <thead> <tr> <th>Status</th> <th>Default Value</th> </tr> </thead> <tbody> <tr> <td>Power On Sequence</td> <td>SS=0, BGR=0, GS=0, SM=0, REV=0, NL[5:0]=6'h35, SCN[6:0]=7'h0, PTS[2:0]=3'h0, ISC[3:0]=4'h1, PTG=0, DIVE[1:0]=2'h2</td> </tr> <tr> <td>SW Reset</td> <td>No change</td> </tr> <tr> <td>HW Reset</td> <td>SS=0, BGR=0, GS=0, SM=0, REV=0, NL[5:0]=6'h35, SCN[6:0]=7'h0, PTS[2:0]=3'h0, ISC[3:0]=4'h1, PTG=0, DIVE[1:0]=2'h2</td> </tr> </tbody> </table>	Status	Default Value	Power On Sequence	SS=0, BGR=0, GS=0, SM=0, REV=0, NL[5:0]=6'h35, SCN[6:0]=7'h0, PTS[2:0]=3'h0, ISC[3:0]=4'h1, PTG=0, DIVE[1:0]=2'h2	SW Reset	No change	HW Reset	SS=0, BGR=0, GS=0, SM=0, REV=0, NL[5:0]=6'h35, SCN[6:0]=7'h0, PTS[2:0]=3'h0, ISC[3:0]=4'h1, PTG=0, DIVE[1:0]=2'h2					
Status	Default Value														
Power On Sequence	SS=0, BGR=0, GS=0, SM=0, REV=0, NL[5:0]=6'h35, SCN[6:0]=7'h0, PTS[2:0]=3'h0, ISC[3:0]=4'h1, PTG=0, DIVE[1:0]=2'h2														
SW Reset	No change														
HW Reset	SS=0, BGR=0, GS=0, SM=0, REV=0, NL[5:0]=6'h35, SCN[6:0]=7'h0, PTS[2:0]=3'h0, ISC[3:0]=4'h1, PTG=0, DIVE[1:0]=2'h2														



**8.2.56. Display\_Timing\_Setting for Normal/Partial Mode (C1h)**

C1H	Display_Timing_Setting for Normal/Partial Mode												HEX																																																				
	D/CX	RDX	WRX	D17-8	D7	D6	D5	D4	D3	D2	D1	D0																																																					
Command	0	1	↑	x	1	1	0	0	0	0	0	1	C1																																																				
1 <sup>st</sup> Parameter	1	1	↑	0	0	0	0	BC0	0	0	DIV0[1]	DIV0[0]	10																																																				
2 <sup>nd</sup> Parameter	1	1	↑	0	0	0	0	RTN0[4]	RTN0[3]	RTN0[2]	RTN0[1]	RTN0[0]	10																																																				
3 <sup>rd</sup> Parameter	1	1	↑	0	BP0[7]	BP0[6]	BP0[5]	BP0[4]	BP0[3]	BP0[2]	BP0[1]	BP0[0]	02																																																				
4 <sup>th</sup> Parameter	1	1	↑	0	FP0[7]	FP0[6]	FP0[5]	FP0[4]	FP0[3]	FP0[2]	FP0[1]	FP0[0]	02																																																				
Description	<p><b>BC0:</b> BC0 is used to select VCOM liquid crystal drive waveform.</p> <p>BC0 = 0: Frame inversion waveform is selected.</p> <p>BC0 = 1: Line inversion waveform is selected.</p> <p><b>DIV0[1:0]:</b> DIV0[1:0] is used to set division ratio of internal clock frequency.</p> <p>The internal operation is synchronized with the frequency divided internal clock. When DIV0 setting is changed, the width of the reference clock for liquid crystal control signals is changed.</p> <p>The frame frequency can be adjusted by register setting (RTN and DIV bits). When number of lines to drive is changed, adjust the frame frequency too.</p> <table border="1" style="margin-left: auto; margin-right: auto;"> <thead> <tr> <th>DIV0[1:0]</th> <th>Division Ratio</th> </tr> </thead> <tbody> <tr> <td>2'h0</td> <td>1/1</td> </tr> <tr> <td>2'h1</td> <td>1/2</td> </tr> <tr> <td>2'h2</td> <td>1/4</td> </tr> <tr> <td>2'h3</td> <td>1/8</td> </tr> </tbody> </table> <p>Frame Frequency = fosc. / [Clocks per line x division ratio x (Line +BP+FP)]</p> <p>fosc. : internal oscillator frequency</p> <p>clocks per line : RTNn setting</p> <p>division ratio: DIVn setting</p> <p>Line: total driving line number</p> <p>BP: back porch line number</p> <p>FP: front porch line number</p> <p><b>RTN0[4:0]:</b> RTN0[4:0] is used to set 1H (line) period.</p> <table border="1" style="margin-left: auto; margin-right: auto;"> <thead> <tr> <th>RTN[4:0]</th> <th>Clocks per line</th> <th>RTN[4:0]</th> <th>Clocks per line</th> <th>RTN[4:0]</th> <th>Clocks per line</th> </tr> </thead> <tbody> <tr> <td>5'h00~0F</td> <td>Setting prohibited</td> <td>5'h15</td> <td>21 clocks</td> <td>5'h1B</td> <td>27 clocks</td> </tr> <tr> <td>5'h10</td> <td>16 clocks</td> <td>5'h16</td> <td>22 clocks</td> <td>5'h1C</td> <td>28 clocks</td> </tr> <tr> <td>5'h11</td> <td>17 clocks</td> <td>5'h17</td> <td>23 clocks</td> <td>5'h1D</td> <td>29 clocks</td> </tr> <tr> <td>5'h12</td> <td>18 clocks</td> <td>5'h18</td> <td>24 clocks</td> <td>5'h1E</td> <td>30 clocks</td> </tr> <tr> <td>5'h13</td> <td>19 clocks</td> <td>5'h19</td> <td>25 clocks</td> <td>5'h1F</td> <td>31 clocks</td> </tr> <tr> <td>5'h14</td> <td>20 clocks</td> <td>5'h1A</td> <td>26 clocks</td> <td></td> <td></td> </tr> </tbody> </table>													DIV0[1:0]	Division Ratio	2'h0	1/1	2'h1	1/2	2'h2	1/4	2'h3	1/8	RTN[4:0]	Clocks per line	RTN[4:0]	Clocks per line	RTN[4:0]	Clocks per line	5'h00~0F	Setting prohibited	5'h15	21 clocks	5'h1B	27 clocks	5'h10	16 clocks	5'h16	22 clocks	5'h1C	28 clocks	5'h11	17 clocks	5'h17	23 clocks	5'h1D	29 clocks	5'h12	18 clocks	5'h18	24 clocks	5'h1E	30 clocks	5'h13	19 clocks	5'h19	25 clocks	5'h1F	31 clocks	5'h14	20 clocks	5'h1A	26 clocks		
	DIV0[1:0]	Division Ratio																																																															
	2'h0	1/1																																																															
	2'h1	1/2																																																															
	2'h2	1/4																																																															
	2'h3	1/8																																																															
	RTN[4:0]	Clocks per line	RTN[4:0]	Clocks per line	RTN[4:0]	Clocks per line																																																											
	5'h00~0F	Setting prohibited	5'h15	21 clocks	5'h1B	27 clocks																																																											
	5'h10	16 clocks	5'h16	22 clocks	5'h1C	28 clocks																																																											
	5'h11	17 clocks	5'h17	23 clocks	5'h1D	29 clocks																																																											
5'h12	18 clocks	5'h18	24 clocks	5'h1E	30 clocks																																																												
5'h13	19 clocks	5'h19	25 clocks	5'h1F	31 clocks																																																												
5'h14	20 clocks	5'h1A	26 clocks																																																														

	<p><b>FP0[7:0], BP0[7:0]</b></p> <p><b>FP0[7:0]</b> is used to set the number of lines for a front porch period (a blank period following the end of display).</p> <p><b>BP0[7:0]</b> is used to set the number of lines for a back porch period (a blank period made before the beginning of display).</p> <table border="1" data-bbox="628 392 1129 864"> <thead> <tr> <th>FP0[7:0] BP0[7:0]</th> <th>Front and back porch period (line period)</th> </tr> </thead> <tbody> <tr><td>8'h0</td><td>Setting prohibited</td></tr> <tr><td>8'h1</td><td>Setting prohibited</td></tr> <tr><td>8'h2</td><td>2 lines</td></tr> <tr><td>8'h3</td><td>3 lines</td></tr> <tr><td>8'h4</td><td>4 lines</td></tr> <tr><td>8'h5</td><td>5 lines</td></tr> <tr><td>8'h6</td><td>6 lines</td></tr> <tr><td>...</td><td>...</td></tr> <tr><td>8'h7E</td><td>126 lines</td></tr> <tr><td>8'h7F</td><td>127 lines</td></tr> <tr><td>8'h80</td><td>128 lines</td></tr> <tr><td>Others</td><td>Setting Prohibited</td></tr> </tbody> </table> <p><b>Note to Setting BP0 and FP0</b></p> <p>The condition in setting BP0 and FP0 bits are: <math>BP0 \geq 2</math> lines and <math>FP0 \geq 2</math> lines, <math>FP0+BP0 \leq 256</math> lines</p>	FP0[7:0] BP0[7:0]	Front and back porch period (line period)	8'h0	Setting prohibited	8'h1	Setting prohibited	8'h2	2 lines	8'h3	3 lines	8'h4	4 lines	8'h5	5 lines	8'h6	6 lines	...	...	8'h7E	126 lines	8'h7F	127 lines	8'h80	128 lines	Others	Setting Prohibited
FP0[7:0] BP0[7:0]	Front and back porch period (line period)																										
8'h0	Setting prohibited																										
8'h1	Setting prohibited																										
8'h2	2 lines																										
8'h3	3 lines																										
8'h4	4 lines																										
8'h5	5 lines																										
8'h6	6 lines																										
...	...																										
8'h7E	126 lines																										
8'h7F	127 lines																										
8'h80	128 lines																										
Others	Setting Prohibited																										
Restriction																											
Register Availability	<table border="1" data-bbox="587 1016 1171 1218"> <thead> <tr> <th>Status</th> <th>Availability</th> </tr> </thead> <tbody> <tr><td>Normal Mode On, Idle Mode Off, Sleep Out</td><td>Yes</td></tr> <tr><td>Normal Mode On, Idle Mode On, Sleep Out</td><td>Yes</td></tr> <tr><td>Partial Mode On, Idle Mode Off, Sleep Out</td><td>Yes</td></tr> <tr><td>Partial Mode On, Idle Mode On, Sleep Out</td><td>Yes</td></tr> <tr><td>Sleep In</td><td>Yes</td></tr> </tbody> </table>	Status	Availability	Normal Mode On, Idle Mode Off, Sleep Out	Yes	Normal Mode On, Idle Mode On, Sleep Out	Yes	Partial Mode On, Idle Mode Off, Sleep Out	Yes	Partial Mode On, Idle Mode On, Sleep Out	Yes	Sleep In	Yes														
Status	Availability																										
Normal Mode On, Idle Mode Off, Sleep Out	Yes																										
Normal Mode On, Idle Mode On, Sleep Out	Yes																										
Partial Mode On, Idle Mode Off, Sleep Out	Yes																										
Partial Mode On, Idle Mode On, Sleep Out	Yes																										
Sleep In	Yes																										
Default	<table border="1" data-bbox="424 1339 1334 1473"> <thead> <tr> <th>Status</th> <th>Default Value</th> </tr> </thead> <tbody> <tr><td>Power On Sequence</td><td>BC0=1'h1, DIV0=2'h0, RTN0=5'h10, FP0=8'h2, BP=8'h2</td></tr> <tr><td>SW Reset</td><td>No change</td></tr> <tr><td>HW Reset</td><td>BC0=1'h1, DIV0=2'h0, RTN0=5'h10, FP0=8'h2, BP0=8'h2</td></tr> </tbody> </table>	Status	Default Value	Power On Sequence	BC0=1'h1, DIV0=2'h0, RTN0=5'h10, FP0=8'h2, BP=8'h2	SW Reset	No change	HW Reset	BC0=1'h1, DIV0=2'h0, RTN0=5'h10, FP0=8'h2, BP0=8'h2																		
Status	Default Value																										
Power On Sequence	BC0=1'h1, DIV0=2'h0, RTN0=5'h10, FP0=8'h2, BP=8'h2																										
SW Reset	No change																										
HW Reset	BC0=1'h1, DIV0=2'h0, RTN0=5'h10, FP0=8'h2, BP0=8'h2																										

**8.2.57. Display\_Timing\_Setting for Idle Mode (C3h)**

C3H	Display_Timing_Setting for Idle Mode												
	D/CX	RDX	WRX	D17-8	D7	D6	D5	D4	D3	D2	D1	D0	HEX
Command	0	1	↑	x	1	1	0	0	0	0	1	1	C3
1 <sup>st</sup> Parameter	1	1	↑	0	0	0	0	BC2	0	0	DIV2[1]	DIV2[0]	00
2 <sup>nd</sup> Parameter	1	1	↑	0	0	0	0	RTN2 [4]	RTN2 [3]	RTN2 [2]	RTN2 [1]	RTN2 [0]	10
3 <sup>rd</sup> Parameter	1	1	↑	0	BP2 [7]	BP2 [6]	BP2 [5]	BP2 [4]	BP2 [3]	BP2 [2]	BP2 [1]	BP2 [0]	02
4 <sup>th</sup> Parameter	1	1	↑	0	FP2 [7]	FP2 [6]	FP2 [5]	FP2 [4]	FP2 [3]	FP2 [2]	FP0 [1]	FP2 [0]	02

Description	<p><b>BC2:</b> BC2 is used to select VCOM liquid crystal drive waveform.</p> <p>BC2 = 0: Frame inversion waveform is selected.</p> <p>BC2 = 1: Line inversion waveform is selected.</p>																																										
	<p><b>DIV2[1:0]:</b> DIV2[1:0] is used to set division ratio of internal clock frequency.</p> <p>The internal operation is synchronized with the frequency divided internal clock. When DIV2 setting is changed, the width of the reference clock for liquid crystal control signals is changed.</p> <p>The frame frequency can be adjusted by register setting (RTN and DIV bits). When number of lines to drive is changed, adjust the frame frequency too.</p> <table border="1" style="margin-left: auto; margin-right: auto;"> <thead> <tr> <th>DIV2[1:0]</th> <th>Division Ratio</th> </tr> </thead> <tbody> <tr> <td>2'h0</td> <td>1/1</td> </tr> <tr> <td>2'h1</td> <td>1/2</td> </tr> <tr> <td>2'h2</td> <td>1/4</td> </tr> <tr> <td>2'h3</td> <td>1/8</td> </tr> </tbody> </table> <p>Frame Frequency = fosc. / [Clocks per line x division ratio x (Line +BP+FP)]</p> <p>fosc. : internal oscillator frequency</p> <p>clocks per line : RTNn setting</p> <p>division ratio: DIVn setting</p> <p>Line: total driving line number</p> <p>BP: back porch line number</p> <p>FP: front porch line number</p>	DIV2[1:0]	Division Ratio	2'h0	1/1	2'h1	1/2	2'h2	1/4	2'h3	1/8																																
DIV2[1:0]	Division Ratio																																										
2'h0	1/1																																										
2'h1	1/2																																										
2'h2	1/4																																										
2'h3	1/8																																										
	<p><b>RTN2[4:0]:</b> RTN2[4:0] is used to set 1H (line) period.</p> <table border="1" style="margin-left: auto; margin-right: auto;"> <thead> <tr> <th>RTN2[4:0]</th> <th>Clocks per line</th> <th>RTN2[4:0]</th> <th>Clocks per line</th> <th>RTN2[4:0]</th> <th>Clocks per line</th> </tr> </thead> <tbody> <tr> <td>5'h00~0F</td> <td>Setting prohibited</td> <td>5'h15</td> <td>21 clocks</td> <td>5'h1B</td> <td>27 clocks</td> </tr> <tr> <td>5'h10</td> <td>16 clocks</td> <td>5'h16</td> <td>22 clocks</td> <td>5'h1C</td> <td>28 clocks</td> </tr> <tr> <td>5'h11</td> <td>17 clocks</td> <td>5'h17</td> <td>23 clocks</td> <td>5'h1D</td> <td>29 clocks</td> </tr> <tr> <td>5'h12</td> <td>18 clocks</td> <td>5'h18</td> <td>24 clocks</td> <td>5'h1E</td> <td>30 clocks</td> </tr> <tr> <td>5'h13</td> <td>19 clocks</td> <td>5'h19</td> <td>25 clocks</td> <td>5'h1F</td> <td>31 clocks</td> </tr> <tr> <td>5'h14</td> <td>20 clocks</td> <td>5'h1A</td> <td>26 clocks</td> <td></td> <td></td> </tr> </tbody> </table>	RTN2[4:0]	Clocks per line	RTN2[4:0]	Clocks per line	RTN2[4:0]	Clocks per line	5'h00~0F	Setting prohibited	5'h15	21 clocks	5'h1B	27 clocks	5'h10	16 clocks	5'h16	22 clocks	5'h1C	28 clocks	5'h11	17 clocks	5'h17	23 clocks	5'h1D	29 clocks	5'h12	18 clocks	5'h18	24 clocks	5'h1E	30 clocks	5'h13	19 clocks	5'h19	25 clocks	5'h1F	31 clocks	5'h14	20 clocks	5'h1A	26 clocks		
RTN2[4:0]	Clocks per line	RTN2[4:0]	Clocks per line	RTN2[4:0]	Clocks per line																																						
5'h00~0F	Setting prohibited	5'h15	21 clocks	5'h1B	27 clocks																																						
5'h10	16 clocks	5'h16	22 clocks	5'h1C	28 clocks																																						
5'h11	17 clocks	5'h17	23 clocks	5'h1D	29 clocks																																						
5'h12	18 clocks	5'h18	24 clocks	5'h1E	30 clocks																																						
5'h13	19 clocks	5'h19	25 clocks	5'h1F	31 clocks																																						
5'h14	20 clocks	5'h1A	26 clocks																																								

	<p><b>FP2[7:0], BP2[7:0]</b></p> <p><b>FP2[7:0]</b> is used to set the number of lines for a front porch period (a blank period following the end of display).</p> <p><b>BP2[7:0]</b> is used to set the number of lines for a back porch period (a blank period made before the beginning of display).</p> <table border="1" data-bbox="630 441 1133 913"> <thead> <tr> <th>FP2[7:0] BP2[7:0]</th> <th>Front and back porch period (line period)</th> </tr> </thead> <tbody> <tr><td>8'h0</td><td>Setting prohibited</td></tr> <tr><td>8'h1</td><td>Setting prohibited</td></tr> <tr><td>8'h2</td><td>2 lines</td></tr> <tr><td>8'h3</td><td>3 lines</td></tr> <tr><td>8'h4</td><td>4 lines</td></tr> <tr><td>8'h5</td><td>5 lines</td></tr> <tr><td>8'h6</td><td>6 lines</td></tr> <tr><td>...</td><td>...</td></tr> <tr><td>8'h7E</td><td>126 lines</td></tr> <tr><td>8'h7F</td><td>127 lines</td></tr> <tr><td>8'h80</td><td>128 lines</td></tr> <tr><td>Others</td><td>Setting Prohibited</td></tr> </tbody> </table> <p><b>Note to Setting BP2 and FP2</b></p> <p>The condition in setting BP2 and FP2 bits are: <math>BP2 \geq 2</math> lines and <math>FP2 \geq 2</math> lines, <math>FP2+BP2 \leq 256</math> lines</p>	FP2[7:0] BP2[7:0]	Front and back porch period (line period)	8'h0	Setting prohibited	8'h1	Setting prohibited	8'h2	2 lines	8'h3	3 lines	8'h4	4 lines	8'h5	5 lines	8'h6	6 lines	...	...	8'h7E	126 lines	8'h7F	127 lines	8'h80	128 lines	Others	Setting Prohibited
FP2[7:0] BP2[7:0]	Front and back porch period (line period)																										
8'h0	Setting prohibited																										
8'h1	Setting prohibited																										
8'h2	2 lines																										
8'h3	3 lines																										
8'h4	4 lines																										
8'h5	5 lines																										
8'h6	6 lines																										
...	...																										
8'h7E	126 lines																										
8'h7F	127 lines																										
8'h80	128 lines																										
Others	Setting Prohibited																										
Restriction																											
Register Availability	<table border="1" data-bbox="588 1066 1173 1267"> <thead> <tr> <th>Status</th> <th>Availability</th> </tr> </thead> <tbody> <tr><td>Normal Mode On, Idle Mode Off, Sleep Out</td><td>Yes</td></tr> <tr><td>Normal Mode On, Idle Mode On, Sleep Out</td><td>Yes</td></tr> <tr><td>Partial Mode On, Idle Mode Off, Sleep Out</td><td>Yes</td></tr> <tr><td>Partial Mode On, Idle Mode On, Sleep Out</td><td>Yes</td></tr> <tr><td>Sleep In</td><td>Yes</td></tr> </tbody> </table>	Status	Availability	Normal Mode On, Idle Mode Off, Sleep Out	Yes	Normal Mode On, Idle Mode On, Sleep Out	Yes	Partial Mode On, Idle Mode Off, Sleep Out	Yes	Partial Mode On, Idle Mode On, Sleep Out	Yes	Sleep In	Yes														
Status	Availability																										
Normal Mode On, Idle Mode Off, Sleep Out	Yes																										
Normal Mode On, Idle Mode On, Sleep Out	Yes																										
Partial Mode On, Idle Mode Off, Sleep Out	Yes																										
Partial Mode On, Idle Mode On, Sleep Out	Yes																										
Sleep In	Yes																										
Default	<table border="1" data-bbox="427 1391 1337 1525"> <thead> <tr> <th>Status</th> <th>Default Value</th> </tr> </thead> <tbody> <tr><td>Power On Sequence</td><td>BC2=1'h1, DIV2=2'h0, RTN2=5'h10, FP2=4'h2, BP2=4'h2</td></tr> <tr><td>SW Reset</td><td>No change</td></tr> <tr><td>HW Reset</td><td>BC2=1'h1, DIV2=2'h0, RTN2=5'h10, FP2=4'h2, BP2=4'h2</td></tr> </tbody> </table>	Status	Default Value	Power On Sequence	BC2=1'h1, DIV2=2'h0, RTN2=5'h10, FP2=4'h2, BP2=4'h2	SW Reset	No change	HW Reset	BC2=1'h1, DIV2=2'h0, RTN2=5'h10, FP2=4'h2, BP2=4'h2																		
Status	Default Value																										
Power On Sequence	BC2=1'h1, DIV2=2'h0, RTN2=5'h10, FP2=4'h2, BP2=4'h2																										
SW Reset	No change																										
HW Reset	BC2=1'h1, DIV2=2'h0, RTN2=5'h10, FP2=4'h2, BP2=4'h2																										

**8.2.58. Source/VCOM/Gate Timing Setting (C4h)**

C4H	Frame Rate Control																														
	D/CX	RDX	WRX	D17-8	D7	D6	D5	D4	D3	D2	D1	D0	HEX																		
Command	0	1	↑	1	1	1	0	0	0	1	0	0	C4																		
1 <sup>st</sup> Parameter	1	1	↑	0	0	SDT[2]	SDT[1]	SDT[0]	0	NOW[2]	NOW[1]	NOW[0]	06																		
Description	<p><b>SDT[2:0]</b></p> <p>The bit is used to set the source output alternating position in 1H period.</p> <table border="1"> <thead> <tr> <th>SDT[2:0]</th> <th>Source Output Position</th> </tr> </thead> <tbody> <tr><td>000</td><td>1 clock</td></tr> <tr><td>001</td><td>2 clocks</td></tr> <tr><td>010</td><td>3 clocks</td></tr> <tr><td>011</td><td>4 clocks</td></tr> <tr><td>100</td><td>5 clocks</td></tr> <tr><td>101</td><td>6 clocks</td></tr> <tr><td>110</td><td>7 clocks</td></tr> <tr><td>111</td><td>8 clocks</td></tr> </tbody> </table> <p>Note: The unit clock here is the frequency divided clock, which is set according to the division ratio set by DIVn (C1h, and C3h).</p>													SDT[2:0]	Source Output Position	000	1 clock	001	2 clocks	010	3 clocks	011	4 clocks	100	5 clocks	101	6 clocks	110	7 clocks	111	8 clocks
	SDT[2:0]	Source Output Position																													
000	1 clock																														
001	2 clocks																														
010	3 clocks																														
011	4 clocks																														
100	5 clocks																														
101	6 clocks																														
110	7 clocks																														
111	8 clocks																														
<p><b>NOW[2:0]</b></p> <p>These bits set the gate output start position (non-overlap period).</p> <table border="1"> <thead> <tr> <th>NOW[2:0]</th> <th>Gate Output Start Position</th> </tr> </thead> <tbody> <tr><td>000</td><td>Setting prohibited</td></tr> <tr><td>001</td><td>1 clock</td></tr> <tr><td>010</td><td>2 clocks</td></tr> <tr><td>011</td><td>3 clocks</td></tr> <tr><td>100</td><td>4 clocks</td></tr> <tr><td>101</td><td>5 clocks</td></tr> <tr><td>110</td><td>6 clocks</td></tr> <tr><td>111</td><td>7 clocks</td></tr> </tbody> </table> <p>Note: The unit clock here is the frequency divided clock, which is set according to the division ratio set by DIVn (C1h, and C3h).</p>													NOW[2:0]	Gate Output Start Position	000	Setting prohibited	001	1 clock	010	2 clocks	011	3 clocks	100	4 clocks	101	5 clocks	110	6 clocks	111	7 clocks	
NOW[2:0]	Gate Output Start Position																														
000	Setting prohibited																														
001	1 clock																														
010	2 clocks																														
011	3 clocks																														
100	4 clocks																														
101	5 clocks																														
110	6 clocks																														
111	7 clocks																														
Restriction																															
Register Availability	<table border="1"> <thead> <tr> <th>Status</th> <th>Availability</th> </tr> </thead> <tbody> <tr><td>Normal Mode On, Idle Mode Off, Sleep Out</td><td>Yes</td></tr> <tr><td>Normal Mode On, Idle Mode On, Sleep Out</td><td>Yes</td></tr> <tr><td>Partial Mode On, Idle Mode Off, Sleep Out</td><td>Yes</td></tr> <tr><td>Partial Mode On, Idle Mode On, Sleep Out</td><td>Yes</td></tr> <tr><td>Sleep In</td><td>Yes</td></tr> </tbody> </table>													Status	Availability	Normal Mode On, Idle Mode Off, Sleep Out	Yes	Normal Mode On, Idle Mode On, Sleep Out	Yes	Partial Mode On, Idle Mode Off, Sleep Out	Yes	Partial Mode On, Idle Mode On, Sleep Out	Yes	Sleep In	Yes						
Status	Availability																														
Normal Mode On, Idle Mode Off, Sleep Out	Yes																														
Normal Mode On, Idle Mode On, Sleep Out	Yes																														
Partial Mode On, Idle Mode Off, Sleep Out	Yes																														
Partial Mode On, Idle Mode On, Sleep Out	Yes																														
Sleep In	Yes																														
Default	<table border="1"> <thead> <tr> <th>Status</th> <th>Default Value</th> </tr> </thead> <tbody> <tr><td>Power On Sequence</td><td>NOW[2:0]=3'h6, SDT[2:0]=3'h0</td></tr> <tr><td>SW Reset</td><td>No change</td></tr> <tr><td>HW Reset</td><td>NOW[2:0]=3'h6, SDT[2:0]=3'h0</td></tr> </tbody> </table>													Status	Default Value	Power On Sequence	NOW[2:0]=3'h6, SDT[2:0]=3'h0	SW Reset	No change	HW Reset	NOW[2:0]=3'h6, SDT[2:0]=3'h0										
Status	Default Value																														
Power On Sequence	NOW[2:0]=3'h6, SDT[2:0]=3'h0																														
SW Reset	No change																														
HW Reset	NOW[2:0]=3'h6, SDT[2:0]=3'h0																														

**8.2.59. Frame Rate Control (C5h)**

C5H	Frame Rate Control																													
	D/CX	RDX	WRX	D17-8	D7	D6	D5	D4	D3	D2	D1	D0	HEX																	
Command	0	1	↑	1	1	1	0	0	0	1	0	1	C5																	
1 <sup>st</sup> Parameter	1	1	↑	0	0	0	0	0	0	FRA[2]	FRA[1]	FRA[0]	04																	
Description	Set the frame frequency of display.																													
	<p>Frame Rate = <math>\frac{16\text{MHz}}{\text{RTN}[4:0] \times (\text{Display Line} + \text{Back porch} + \text{Front Porch}) \times (\text{FRA}[2:0] + 12) \times 2}</math></p> <table border="1"> <thead> <tr> <th>FRA[2:0]</th> <th>Frame Rate (Hz)</th> </tr> </thead> <tbody> <tr> <td>3'h0</td> <td>96</td> </tr> <tr> <td>3'h1</td> <td>88</td> </tr> <tr> <td>3'h2</td> <td>82</td> </tr> <tr> <td>3'h3</td> <td>76</td> </tr> <tr> <td><b>3'h4</b></td> <td>72 (default)</td> </tr> <tr> <td>3'h5</td> <td>67</td> </tr> <tr> <td>3'h6</td> <td>64</td> </tr> <tr> <td>3'h7</td> <td>60</td> </tr> </tbody> </table> <p><i>The above table is based on back/front porch equal to 2 lines and 16 clocks per display line and the total display lines are 432. When any parameter is changed, the frame rate will also be changed.</i></p>													FRA[2:0]	Frame Rate (Hz)	3'h0	96	3'h1	88	3'h2	82	3'h3	76	<b>3'h4</b>	72 (default)	3'h5	67	3'h6	64	3'h7
FRA[2:0]	Frame Rate (Hz)																													
3'h0	96																													
3'h1	88																													
3'h2	82																													
3'h3	76																													
<b>3'h4</b>	72 (default)																													
3'h5	67																													
3'h6	64																													
3'h7	60																													
Restriction																														
Register Availability	<table border="1"> <thead> <tr> <th>Status</th> <th>Availability</th> </tr> </thead> <tbody> <tr> <td>Normal Mode On, Idle Mode Off, Sleep Out</td> <td>Yes</td> </tr> <tr> <td>Normal Mode On, Idle Mode On, Sleep Out</td> <td>Yes</td> </tr> <tr> <td>Partial Mode On, Idle Mode Off, Sleep Out</td> <td>Yes</td> </tr> <tr> <td>Partial Mode On, Idle Mode On, Sleep Out</td> <td>Yes</td> </tr> <tr> <td>Sleep In</td> <td>Yes</td> </tr> </tbody> </table>													Status	Availability	Normal Mode On, Idle Mode Off, Sleep Out	Yes	Normal Mode On, Idle Mode On, Sleep Out	Yes	Partial Mode On, Idle Mode Off, Sleep Out	Yes	Partial Mode On, Idle Mode On, Sleep Out	Yes	Sleep In	Yes					
	Status	Availability																												
Normal Mode On, Idle Mode Off, Sleep Out	Yes																													
Normal Mode On, Idle Mode On, Sleep Out	Yes																													
Partial Mode On, Idle Mode Off, Sleep Out	Yes																													
Partial Mode On, Idle Mode On, Sleep Out	Yes																													
Sleep In	Yes																													
Default	<table border="1"> <thead> <tr> <th>Status</th> <th>Default Value</th> </tr> </thead> <tbody> <tr> <td>Power On Sequence</td> <td>FRA=3'h4</td> </tr> <tr> <td>SW Reset</td> <td>No change</td> </tr> <tr> <td>HW Reset</td> <td>FRA=3'h4</td> </tr> </tbody> </table>													Status	Default Value	Power On Sequence	FRA=3'h4	SW Reset	No change	HW Reset	FRA=3'h4									
Status	Default Value																													
Power On Sequence	FRA=3'h4																													
SW Reset	No change																													
HW Reset	FRA=3'h4																													

**8.2.60. Interface Control (C6h)**

C6H	Interface Control																								
	D/CX	RDX	WRX	D17-8	D7	D6	D5	D4	D3	D2	D1	D0	HEX												
Command	0	1	↑	x	1	1	0	0	0	1	1	0	C6												
1 <sup>st</sup> Parameter	1	1	↑	x	SDA_EN	0	0	VSPL	HSPL	0	EPL	DPL	02												
Description	<p><b>DPL:</b> Sets the signal polarity of the PCLK pin. DPL = "0" The data is input on the rising edge of PCLK. DPL = "1" The data is input on the falling edge of PCLK.</p> <p><b>EPL:</b> Sets the signal polarity of the ENABLE pin. EPL = "0" The data DB[17:0] is written when ENABLE = "0". EPL = "1" The data DB[17:0] is written when ENABLE = "1".</p> <p><b>HSPL:</b> Sets the signal polarity of the HSYNC pin. HSPL = "0" Low active HSPL = "1" High active</p> <p><b>VSPL:</b> Sets the signal polarity of the VSYNC pin. VSPL = "0" Low active VSPL = "1" High active</p> <p><b>SDA_EN:</b> DBI type C interface selection SDA_EN = "0", DIN and DOUT pins are used for DBI type C interface mode. SDA_EN = "1", DIN/SDA pin is used for DBI type C interface mode and DOUT pin is not used.</p>																								
Register Availability	<table border="1"> <thead> <tr> <th>Status</th> <th>Availability</th> </tr> </thead> <tbody> <tr> <td>Normal Mode On, Idle Mode Off, Sleep Out</td> <td>Yes</td> </tr> <tr> <td>Normal Mode On, Idle Mode On, Sleep Out</td> <td>Yes</td> </tr> <tr> <td>Partial Mode On, Idle Mode Off, Sleep Out</td> <td>Yes</td> </tr> <tr> <td>Partial Mode On, Idle Mode On, Sleep Out</td> <td>Yes</td> </tr> <tr> <td>Sleep In</td> <td>Yes</td> </tr> </tbody> </table>													Status	Availability	Normal Mode On, Idle Mode Off, Sleep Out	Yes	Normal Mode On, Idle Mode On, Sleep Out	Yes	Partial Mode On, Idle Mode Off, Sleep Out	Yes	Partial Mode On, Idle Mode On, Sleep Out	Yes	Sleep In	Yes
Status	Availability																								
Normal Mode On, Idle Mode Off, Sleep Out	Yes																								
Normal Mode On, Idle Mode On, Sleep Out	Yes																								
Partial Mode On, Idle Mode Off, Sleep Out	Yes																								
Partial Mode On, Idle Mode On, Sleep Out	Yes																								
Sleep In	Yes																								
Default	<table border="1"> <thead> <tr> <th>Status</th> <th>Default Value</th> </tr> </thead> <tbody> <tr> <td>Power On Sequence</td> <td>DPL=1'h0, EPL=1'h1, VSPL=1'h0, HSPL=:1'h0,SDA_EN=1'h0</td> </tr> <tr> <td>SW Reset</td> <td>No change</td> </tr> <tr> <td>HW Reset</td> <td>DPL=1'h0, EPL=1'h1, VSPL=1'h0, HSPL=:1'h0,SDA_EN=1'h0</td> </tr> </tbody> </table>													Status	Default Value	Power On Sequence	DPL=1'h0, EPL=1'h1, VSPL=1'h0, HSPL=:1'h0,SDA_EN=1'h0	SW Reset	No change	HW Reset	DPL=1'h0, EPL=1'h1, VSPL=1'h0, HSPL=:1'h0,SDA_EN=1'h0				
Status	Default Value																								
Power On Sequence	DPL=1'h0, EPL=1'h1, VSPL=1'h0, HSPL=:1'h0,SDA_EN=1'h0																								
SW Reset	No change																								
HW Reset	DPL=1'h0, EPL=1'h1, VSPL=1'h0, HSPL=:1'h0,SDA_EN=1'h0																								

**8.2.61. Gamma Setting (C8h)**

C8H	Gamma Setting																								
	D/CX	RDX	WRX	D17-8	D7	D6	D5	D4	D3	D2	D1	D0	HEX												
Command	0	1	↑	x	1	1	0	0	1	0	0	0	C8												
1 <sup>st</sup> Parameter	1	1	↑	x	0	KP1 [2]	KP1 [1]	KP1 [0]	0	KP0 [2]	KP0 [1]	KP0 [0]	44												
2 <sup>nd</sup> Parameter	1	1	↑	x	0	KP3 [2]	KP3 [1]	KP3 [0]	0	KP2 [2]	KP2 [1]	KP2 [0]	44												
3 <sup>rd</sup> Parameter	1	1	↑	x	0	KP5 [2]	KP5 [1]	KP5 [0]	0	KP4 [2]	KP4 [1]	KP4 [0]	44												
4 <sup>th</sup> Parameter	1	1	↑	x	0	RP1 [2]	RP1 [1]	RP1 [0]	0	RP0 [2]	RP0 [1]	RP0 [0]	44												
5 <sup>th</sup> Parameter	1	1	↑	x	0	0	0	0	VRP0 [3]	VRP0 [2]	VRP0 [1]	VRP0 [0]	08												
6 <sup>th</sup> Parameter	1	1	↑	x	0	0	0	VRP1 [4]	VRP1 [3]	VRP1 [2]	VRP1 [1]	VRP1 [0]	10												
7 <sup>th</sup> Parameter	1	1	↑	x	0	KN1 [2]	KN1 [1]	KN1 [0]	0	KN0 [2]	KN0 [1]	KN0 [0]	44												
8 <sup>th</sup> Parameter	1	1	↑	x	0	KN3 [2]	KN3 [1]	KN3 [0]	0	KN2 [2]	KN2 [1]	KN2 [0]	44												
9 <sup>th</sup> Parameter	1	1	↑	x	0	KN5 [2]	KN5 [1]	KN5 [0]	0	KN4 [2]	KN4 [1]	KN4 [0]	44												
10 <sup>th</sup> Parameter	1	1	↑	x	0	RN1 [2]	RN1 [1]	RN1 [0]	0	RN0 [2]	RN0 [1]	RN0 [0]	44												
11 <sup>th</sup> Parameter	1	1	↑	x	0	0	0	0	VRN0 [3]	VRN0 [2]	VRN0 [1]	VRN0 [0]	08												
12 <sup>th</sup> Parameter	1	1	↑	x	0	0	0	VRN1 [4]	VRN1 [3]	VRN1 [2]	VRN1 [1]	VRN1 [0]	10												
13 <sup>th</sup> Parameter	1	1	↑	x	VREP1 [3]	VREP1 [2]	VREP1 [1]	VREP1 [0]	VREP0 [3]	VREP0 [2]	VREP0 [1]	VREP0 [0]	88												
14 <sup>th</sup> Parameter	1	1	↑	x	VREN0 [3]	VREN0 [2]	VREN0 [1]	VREN0 [0]	VREP2 [3]	VREP2 [2]	VREP2 [1]	VREP2 [0]	88												
15 <sup>th</sup> Parameter	1	1	↑	x	VREN2 [3]	VREN2 [2]	VREN2 [1]	VREN2 [0]	VREN1 [3]	VREN1 [2]	VREN1 [1]	VREN1 [0]	88												
Description	KP5-0[2:0] : γ fine adjustment register for positive polarity RP1-0[2:0] : γ gradient adjustment register for positive polarity VRP1-0[4:0] : γ amplitude adjustment register for positive polarity KN5-0[2:0] : γ fine adjustment register for negative polarity RN1-0[2:0] : γ gradient adjustment register for negative polarity VRN1-0[4:0] : γ amplitude adjustment register for negative polarity																								
Register Availability	<table border="1"> <thead> <tr> <th>Status</th> <th>Availability</th> </tr> </thead> <tbody> <tr> <td>Normal Mode On, Idle Mode Off, Sleep Out</td> <td>Yes</td> </tr> <tr> <td>Normal Mode On, Idle Mode On, Sleep Out</td> <td>Yes</td> </tr> <tr> <td>Partial Mode On, Idle Mode Off, Sleep Out</td> <td>Yes</td> </tr> <tr> <td>Partial Mode On, Idle Mode On, Sleep Out</td> <td>Yes</td> </tr> <tr> <td>Sleep In</td> <td>Yes</td> </tr> </tbody> </table>													Status	Availability	Normal Mode On, Idle Mode Off, Sleep Out	Yes	Normal Mode On, Idle Mode On, Sleep Out	Yes	Partial Mode On, Idle Mode Off, Sleep Out	Yes	Partial Mode On, Idle Mode On, Sleep Out	Yes	Sleep In	Yes
Status	Availability																								
Normal Mode On, Idle Mode Off, Sleep Out	Yes																								
Normal Mode On, Idle Mode On, Sleep Out	Yes																								
Partial Mode On, Idle Mode Off, Sleep Out	Yes																								
Partial Mode On, Idle Mode On, Sleep Out	Yes																								
Sleep In	Yes																								



Default Value	<b>Status</b>	<b>Default Value</b>
	Power On Sequence	KPx/KNx[2:0]=3'h4, RPx/RNx[2:0]=3'h4, VRP0/VRN0[3:0]=4'h8, VRP1/VRN1[4:0]=5'h10, VREP0/VREP1/VREP2=4'h8, VREN0/VREN1/VREN2=4'h8,
	SW Reset	No Change
	HW Reset	KPx/KNx[2:0]=3'h4, RPx/RNx[2:0]=3'h4, VRP0/VRN0[3:0]=4'h8, VRP1/VRN1[4:0]=5'h10 VREP0/VREP1/VREP2=4'h8, VREN0/VREN1/VREN2=4'h8,

**8.2.62. Gamma Setting for Red/Blue Color (C9h)**

C9h	Gamma Setting for Red/Blue Color													
	D/CX	RDX	WRX	D17-8	D7	D6	D5	D4	D3	D2	D1	D0	HEX	
Command	0	1	↑	x	1	1	0	0	1	0	0	1	C9	
1 <sup>st</sup> Parameter	1	1	↑	x	0	0	0	0	RV0[3]	RV0[2]	RV0[1]	RV0[0]	00	
2 <sup>nd</sup> Parameter	1	1	↑	x	0	0	0	0	RV1[3]	RV1[2]	RV1[1]	RV1[0]	00	
3 <sup>rd</sup> Parameter	1	1	↑	x	0	0	0	0	RV2[3]	RV2[2]	RV2[1]	RV2[0]	00	
4 <sup>th</sup> Parameter	1	1	↑	x	0	0	0	0	RV3[3]	RV3[2]	RV3[1]	RV3[0]	00	
...	...	...	...	...	...	...	...	...	...	...	...	...	...	
61 <sup>th</sup> Parameter	1	1	↑	x	0	0	0	0	RV60[3]	RV60[2]	RV60[1]	RV60[0]	00	
62 <sup>th</sup> Parameter	1	1	↑	x	0	0	0	0	RV61[3]	RV61[2]	RV61[1]	RV61[0]	00	
63 <sup>th</sup> Parameter	1	1	↑	x	0	0	0	0	RV62[3]	RV62[2]	RV62[1]	RV62[0]	00	
64 <sup>th</sup> Parameter	1	1	↑	x	0	0	0	0	RV63[3]	RV63[2]	RV63[1]	RV63[0]	00	
65 <sup>th</sup> Parameter	1	1	↑	x	0	0	0	0	BV0[3]	BV0[2]	BV0[1]	BV0[0]	00	
66 <sup>th</sup> Parameter	1	1	↑	x	0	0	0	0	BV1[3]	BV1[2]	BV1[1]	BV1[0]	00	
67 <sup>th</sup> Parameter	1	1	↑	x	0	0	0	0	BV2[3]	BV2[2]	BV2[1]	BV2[0]	00	
68 <sup>th</sup> Parameter	1	1	↑	x	0	0	0	0	BV3[3]	BV3[2]	BV3[1]	BV3[0]	00	
...	...	...	...	...	...	...	...	...	...	...	...	...	...	
125 <sup>th</sup> Parameter	1	1	↑	x	0	0	0	0	BV60[3]	BV60[2]	BV60[1]	BV60[0]	00	
126 <sup>th</sup> Parameter	1	1	↑	x	0	0	0	0	BV61[3]	BV61[2]	BV61[1]	BV61[0]	00	
127 <sup>th</sup> Parameter	1	1	↑	x	0	0	0	0	BV62[3]	BV62[2]	BV62[1]	BV62[0]	00	
128 <sup>th</sup> Parameter	1	1	↑	x	0	0	0	0	BV63[3]	BV63[2]	BV63[1]	BV63[0]	00	
Description	This register is used to fine tune the red/blue color gamma mapping.													
	<b>Note: Please disable the 3-gamma function (EAh register) before setting this gamma table.</b>													
	RVn[3:0] n=0~63		Red color gamma level (relative to green color)						BVn[3:0] n=0~63		Blue color gamma level (relative to green color)			
	4'h0		+0						4'h0		+0			
	4'h1		+1						4'h1		+1			
	4'h2		+2						4'h2		+2			
	4'h3		+3						4'h3		+3			
	4'h4		+4						4'h4		+4			
	4'h5		+5						4'h5		+5			
	4'h6		+6						4'h6		+6			
	4'h7		+7						4'h7		+7			
	4'h8		-8						4'h8		-8			
	4'h9		-7						4'h9		-7			
	4'hA		-6						4'hA		-6			
	4'hB		-5						4'hB		-5			
	4'hC		-4						4'hC		-4			
	4'hD		-3						4'hD		-3			
	4'hE		-2						4'hE		-2			
	4'hF		-1						4'hF		-1			
	Register Availability	<b>Status</b>						<b>Availability</b>						
Normal Mode On, Idle Mode Off, Sleep Out						Yes								
Normal Mode On, Idle Mode On, Sleep Out						Yes								
Partial Mode On, Idle Mode Off, Sleep Out						Yes								
Partial Mode On, Idle Mode On, Sleep Out						Yes								
Sleep In						Yes								

Default	<table border="1"><thead><tr><th>Status</th><th>Default Value</th></tr></thead><tbody><tr><td>Power On Sequence</td><td>All the parameters are 00h</td></tr><tr><td>SW Reset</td><td>No change</td></tr><tr><td>HW Reset</td><td>All the parameters are 00h</td></tr></tbody></table>	Status	Default Value	Power On Sequence	All the parameters are 00h	SW Reset	No change	HW Reset	All the parameters are 00h
	Status	Default Value							
	Power On Sequence	All the parameters are 00h							
	SW Reset	No change							
HW Reset	All the parameters are 00h								

**8.2.63. Power\_Setting (D0h)**

D0H	Power_Setting																																																																																																																		
	D/CX	RDX	WRX	D17-8	D7	D6	D5	D4	D3	D2	D1	D0	HEX																																																																																																						
Command	0	1	↑	x	1	1	0	1	0	0	0	0	D0																																																																																																						
1 <sup>st</sup> Parameter	1	1	↑	x	0	0	0	0	0	VC[2]	VC[1]	VC[0]	07																																																																																																						
2 <sup>nd</sup> Parameter	1	1	↑	x	0	0	0	0	0	BT[2]	BT[1]	BT[0]	04																																																																																																						
3 <sup>rd</sup> Parameter	1	1	↑	x	VCIRE	0	0	VRH[4]	VRH[3]	VRH[2]	VRH[1]	VRH[0]	8C																																																																																																						
Description	<p><b>VC[2:0]</b> Sets the ratio factor of Vci to generate the reference voltages Vci1.</p> <table border="1" style="margin-left: auto; margin-right: auto;"> <thead> <tr> <th>VC[2:0]</th> <th>Vci1 voltage</th> </tr> </thead> <tbody> <tr><td>3'h0</td><td>0.95 x Vci</td></tr> <tr><td>3'h1</td><td>0.90 x Vci</td></tr> <tr><td>3'h2</td><td>0.85 x Vci</td></tr> <tr><td>3'h3</td><td>0.80 x Vci</td></tr> <tr><td>3'h4</td><td>0.75 x Vci</td></tr> <tr><td>3'h5</td><td>0.70 x Vci</td></tr> <tr><td>3'h6</td><td>Setting Prohibited</td></tr> <tr><td>3'h7</td><td>1.0 x Vci</td></tr> </tbody> </table> <p><b>BT[2:0]</b> Sets the Step up factor and output voltage level from the reference voltages Vci1.</p> <table border="1" style="margin-left: auto; margin-right: auto;"> <thead> <tr> <th>BT[2:0]</th> <th>DDVDH</th> <th>VCL</th> <th>VGH</th> <th>VGL</th> </tr> </thead> <tbody> <tr> <td>3'h0</td> <td>Vci1 x 2</td> <td>- Vci1</td> <td rowspan="3">Vci1 x 6</td> <td>- Vci1 x 5</td> </tr> <tr> <td>3'h1</td> <td rowspan="2">Vci1 x 2</td> <td rowspan="2">- Vci1</td> <td>- Vci1 x 4</td> </tr> <tr> <td>3'h2</td> <td>- Vci1 x 3</td> </tr> <tr> <td>3'h3</td> <td rowspan="3">Vci1 x 2</td> <td rowspan="3">- Vci1</td> <td rowspan="3">Vci1 x 5</td> <td>- Vci1 x 5</td> </tr> <tr> <td>3'h4</td> <td>- Vci1 x 4</td> </tr> <tr> <td>3'h5</td> <td>- Vci1 x 3</td> </tr> <tr> <td>3'h6</td> <td rowspan="2">Vci1 x 2</td> <td rowspan="2">- Vci1</td> <td rowspan="2">Vci1 x 4</td> <td>- Vci1 x 4</td> </tr> <tr> <td>3'h7</td> <td>- Vci1 x 3</td> </tr> </tbody> </table> <p>Note 1: Connect capacitors where required when using DDVDH, VGH, VGL and VCL voltages.            Note 2: Set following voltages within the respective ranges:            DDVDH = 6.0V (max)            VGH = 18.0V (max)            VGL = -15.0V (max)            VCL = -3.0V (max).</p> <p><b>VCIRE:</b> Select the external reference voltage VciLVL or internal reference voltage VCIRE.</p> <table border="1" style="margin-left: auto; margin-right: auto;"> <tr> <td>VCIRE=0</td> <td>External reference voltage VciLVL</td> </tr> <tr> <td>VCIRE = 1</td> <td>Internal reference voltage 2.5V (default)</td> </tr> </table> <p><b>VRH[4:0]:</b> Sets the factor to generate VREG1OUT from VCI</p> <table border="1" style="margin-left: auto; margin-right: auto;"> <thead> <tr> <th>VRH[4:0]</th> <th>VREG1OUT</th> <th>VRH[4:0]</th> <th>VREG1OUT</th> </tr> </thead> <tbody> <tr><td>5'h0</td><td>VciLVL x 1.600</td><td>5'h0</td><td>2.5 x 1.600 = 4.0000</td></tr> <tr><td>5'h1</td><td>VciLVL x 1.625</td><td>5'h1</td><td>2.5 x 1.625 = 4.0625</td></tr> <tr><td>5'h2</td><td>VciLVL x 1.650</td><td>5'h2</td><td>2.5 x 1.650 = 4.1250</td></tr> <tr><td>5'h3</td><td>VciLVL x 1.675</td><td>5'h3</td><td>2.5 x 1.675 = 4.1875</td></tr> <tr><td>5'h4</td><td>VciLVL x 1.700</td><td>5'h4</td><td>2.5 x 1.700 = 4.2500</td></tr> <tr><td>5'h5</td><td>VciLVL x 1.725</td><td>5'h5</td><td>2.5 x 1.725 = 4.3125</td></tr> <tr><td>5'h6</td><td>VciLVL x 1.750</td><td>5'h6</td><td>2.5 x 1.750 = 4.3750</td></tr> <tr><td>5'h7</td><td>VciLVL x 1.775</td><td>5'h7</td><td>2.5 x 1.775 = 4.4375</td></tr> <tr><td>5'h8</td><td>VciLVL x 1.800</td><td>5'h8</td><td>2.5 x 1.800 = 4.5000</td></tr> <tr><td>5'h9</td><td>VciLVL x 1.825</td><td>5'h9</td><td>2.5 x 1.825 = 4.5625</td></tr> <tr><td>5'hA</td><td>VciLVL x 1.850</td><td>5'hA</td><td>2.5 x 1.850 = 4.6250</td></tr> </tbody> </table>													VC[2:0]	Vci1 voltage	3'h0	0.95 x Vci	3'h1	0.90 x Vci	3'h2	0.85 x Vci	3'h3	0.80 x Vci	3'h4	0.75 x Vci	3'h5	0.70 x Vci	3'h6	Setting Prohibited	3'h7	1.0 x Vci	BT[2:0]	DDVDH	VCL	VGH	VGL	3'h0	Vci1 x 2	- Vci1	Vci1 x 6	- Vci1 x 5	3'h1	Vci1 x 2	- Vci1	- Vci1 x 4	3'h2	- Vci1 x 3	3'h3	Vci1 x 2	- Vci1	Vci1 x 5	- Vci1 x 5	3'h4	- Vci1 x 4	3'h5	- Vci1 x 3	3'h6	Vci1 x 2	- Vci1	Vci1 x 4	- Vci1 x 4	3'h7	- Vci1 x 3	VCIRE=0	External reference voltage VciLVL	VCIRE = 1	Internal reference voltage 2.5V (default)	VRH[4:0]	VREG1OUT	VRH[4:0]	VREG1OUT	5'h0	VciLVL x 1.600	5'h0	2.5 x 1.600 = 4.0000	5'h1	VciLVL x 1.625	5'h1	2.5 x 1.625 = 4.0625	5'h2	VciLVL x 1.650	5'h2	2.5 x 1.650 = 4.1250	5'h3	VciLVL x 1.675	5'h3	2.5 x 1.675 = 4.1875	5'h4	VciLVL x 1.700	5'h4	2.5 x 1.700 = 4.2500	5'h5	VciLVL x 1.725	5'h5	2.5 x 1.725 = 4.3125	5'h6	VciLVL x 1.750	5'h6	2.5 x 1.750 = 4.3750	5'h7	VciLVL x 1.775	5'h7	2.5 x 1.775 = 4.4375	5'h8	VciLVL x 1.800	5'h8	2.5 x 1.800 = 4.5000	5'h9	VciLVL x 1.825	5'h9	2.5 x 1.825 = 4.5625	5'hA	VciLVL x 1.850	5'hA	2.5 x 1.850 = 4.6250
	VC[2:0]	Vci1 voltage																																																																																																																	
	3'h0	0.95 x Vci																																																																																																																	
	3'h1	0.90 x Vci																																																																																																																	
	3'h2	0.85 x Vci																																																																																																																	
	3'h3	0.80 x Vci																																																																																																																	
	3'h4	0.75 x Vci																																																																																																																	
	3'h5	0.70 x Vci																																																																																																																	
	3'h6	Setting Prohibited																																																																																																																	
	3'h7	1.0 x Vci																																																																																																																	
	BT[2:0]	DDVDH	VCL	VGH	VGL																																																																																																														
	3'h0	Vci1 x 2	- Vci1	Vci1 x 6	- Vci1 x 5																																																																																																														
	3'h1	Vci1 x 2	- Vci1		- Vci1 x 4																																																																																																														
	3'h2				- Vci1 x 3																																																																																																														
	3'h3	Vci1 x 2	- Vci1	Vci1 x 5	- Vci1 x 5																																																																																																														
3'h4	- Vci1 x 4																																																																																																																		
3'h5	- Vci1 x 3																																																																																																																		
3'h6	Vci1 x 2	- Vci1	Vci1 x 4	- Vci1 x 4																																																																																																															
3'h7				- Vci1 x 3																																																																																																															
VCIRE=0	External reference voltage VciLVL																																																																																																																		
VCIRE = 1	Internal reference voltage 2.5V (default)																																																																																																																		
VRH[4:0]	VREG1OUT	VRH[4:0]	VREG1OUT																																																																																																																
5'h0	VciLVL x 1.600	5'h0	2.5 x 1.600 = 4.0000																																																																																																																
5'h1	VciLVL x 1.625	5'h1	2.5 x 1.625 = 4.0625																																																																																																																
5'h2	VciLVL x 1.650	5'h2	2.5 x 1.650 = 4.1250																																																																																																																
5'h3	VciLVL x 1.675	5'h3	2.5 x 1.675 = 4.1875																																																																																																																
5'h4	VciLVL x 1.700	5'h4	2.5 x 1.700 = 4.2500																																																																																																																
5'h5	VciLVL x 1.725	5'h5	2.5 x 1.725 = 4.3125																																																																																																																
5'h6	VciLVL x 1.750	5'h6	2.5 x 1.750 = 4.3750																																																																																																																
5'h7	VciLVL x 1.775	5'h7	2.5 x 1.775 = 4.4375																																																																																																																
5'h8	VciLVL x 1.800	5'h8	2.5 x 1.800 = 4.5000																																																																																																																
5'h9	VciLVL x 1.825	5'h9	2.5 x 1.825 = 4.5625																																																																																																																
5'hA	VciLVL x 1.850	5'hA	2.5 x 1.850 = 4.6250																																																																																																																

	<table border="1" data-bbox="528 203 1278 714"> <tr><td>5'hB</td><td>VciLVL x 1.875</td><td>5'hB</td><td>2.5 x 1.875 = 4.6875</td></tr> <tr><td>5'hC</td><td>VciLVL x 1.900</td><td>5'hC</td><td>2.5 x 1.900 = 4.7500</td></tr> <tr><td>5'hD</td><td>VciLVL x 1.925</td><td>5'hD</td><td>2.5 x 1.925 = 4.8125</td></tr> <tr><td>5'hE</td><td>VciLVL x 1.950</td><td>5'hE</td><td>2.5 x 1.950 = 4.8750</td></tr> <tr><td>5'hF</td><td>VciLVL x 1.975</td><td>5'hF</td><td>2.5 x 1.975 = 4.9375</td></tr> <tr><td>5'h10</td><td>Setting prohibited</td><td>5'h10</td><td>2.5 x 2.000 = 5.0000</td></tr> <tr><td>5'h11</td><td>Setting prohibited</td><td>5'h11</td><td>2.5 x 2.025 = 5.0625</td></tr> <tr><td>5'h12</td><td>Setting prohibited</td><td>5'h12</td><td>2.5 x 2.050 = 5.1250</td></tr> <tr><td>5'h13</td><td>Setting prohibited</td><td>5'h13</td><td>2.5 x 2.075 = 5.1875</td></tr> <tr><td>5'h14</td><td>Setting prohibited</td><td>5'h14</td><td>2.5 x 2.100 = 5.2500</td></tr> <tr><td>5'h15</td><td>Setting prohibited</td><td>5'h15</td><td>2.5 x 2.125 = 5.3125</td></tr> <tr><td>5'h16</td><td>Setting prohibited</td><td>5'h16</td><td>2.5 x 2.150 = 5.3750</td></tr> <tr><td>5'h17</td><td>Setting prohibited</td><td>5'h17</td><td>2.5 x 2.175 = 5.4375</td></tr> <tr><td>5'h18</td><td>Setting prohibited</td><td>5'h18</td><td>2.5 x 2.200 = 5.5000</td></tr> <tr><td>Others</td><td>Setting prohibited</td><td>Others</td><td>Setting prohibited</td></tr> </table> <p data-bbox="333 725 943 754"><i>When VCI&lt;2.5V, Internal reference voltage will be same as VCI.</i></p> <p data-bbox="333 772 1190 801"><i>Make sure that VC[2:0] and VRH[3:0] setting restriction: VREG1OUT ≤ (DDVDH - 0.2)V.</i></p>	5'hB	VciLVL x 1.875	5'hB	2.5 x 1.875 = 4.6875	5'hC	VciLVL x 1.900	5'hC	2.5 x 1.900 = 4.7500	5'hD	VciLVL x 1.925	5'hD	2.5 x 1.925 = 4.8125	5'hE	VciLVL x 1.950	5'hE	2.5 x 1.950 = 4.8750	5'hF	VciLVL x 1.975	5'hF	2.5 x 1.975 = 4.9375	5'h10	Setting prohibited	5'h10	2.5 x 2.000 = 5.0000	5'h11	Setting prohibited	5'h11	2.5 x 2.025 = 5.0625	5'h12	Setting prohibited	5'h12	2.5 x 2.050 = 5.1250	5'h13	Setting prohibited	5'h13	2.5 x 2.075 = 5.1875	5'h14	Setting prohibited	5'h14	2.5 x 2.100 = 5.2500	5'h15	Setting prohibited	5'h15	2.5 x 2.125 = 5.3125	5'h16	Setting prohibited	5'h16	2.5 x 2.150 = 5.3750	5'h17	Setting prohibited	5'h17	2.5 x 2.175 = 5.4375	5'h18	Setting prohibited	5'h18	2.5 x 2.200 = 5.5000	Others	Setting prohibited	Others	Setting prohibited
5'hB	VciLVL x 1.875	5'hB	2.5 x 1.875 = 4.6875																																																										
5'hC	VciLVL x 1.900	5'hC	2.5 x 1.900 = 4.7500																																																										
5'hD	VciLVL x 1.925	5'hD	2.5 x 1.925 = 4.8125																																																										
5'hE	VciLVL x 1.950	5'hE	2.5 x 1.950 = 4.8750																																																										
5'hF	VciLVL x 1.975	5'hF	2.5 x 1.975 = 4.9375																																																										
5'h10	Setting prohibited	5'h10	2.5 x 2.000 = 5.0000																																																										
5'h11	Setting prohibited	5'h11	2.5 x 2.025 = 5.0625																																																										
5'h12	Setting prohibited	5'h12	2.5 x 2.050 = 5.1250																																																										
5'h13	Setting prohibited	5'h13	2.5 x 2.075 = 5.1875																																																										
5'h14	Setting prohibited	5'h14	2.5 x 2.100 = 5.2500																																																										
5'h15	Setting prohibited	5'h15	2.5 x 2.125 = 5.3125																																																										
5'h16	Setting prohibited	5'h16	2.5 x 2.150 = 5.3750																																																										
5'h17	Setting prohibited	5'h17	2.5 x 2.175 = 5.4375																																																										
5'h18	Setting prohibited	5'h18	2.5 x 2.200 = 5.5000																																																										
Others	Setting prohibited	Others	Setting prohibited																																																										
Register Availability	<table border="1" data-bbox="611 1005 1193 1207"> <thead> <tr> <th>Status</th> <th>Availability</th> </tr> </thead> <tbody> <tr> <td>Normal Mode On, Idle Mode Off, Sleep Out</td> <td>Yes</td> </tr> <tr> <td>Normal Mode On, Idle Mode On, Sleep Out</td> <td>Yes</td> </tr> <tr> <td>Partial Mode On, Idle Mode Off, Sleep Out</td> <td>Yes</td> </tr> <tr> <td>Partial Mode On, Idle Mode On, Sleep Out</td> <td>Yes</td> </tr> <tr> <td>Sleep In</td> <td>Yes</td> </tr> </tbody> </table>	Status	Availability	Normal Mode On, Idle Mode Off, Sleep Out	Yes	Normal Mode On, Idle Mode On, Sleep Out	Yes	Partial Mode On, Idle Mode Off, Sleep Out	Yes	Partial Mode On, Idle Mode On, Sleep Out	Yes	Sleep In	Yes																																																
Status	Availability																																																												
Normal Mode On, Idle Mode Off, Sleep Out	Yes																																																												
Normal Mode On, Idle Mode On, Sleep Out	Yes																																																												
Partial Mode On, Idle Mode Off, Sleep Out	Yes																																																												
Partial Mode On, Idle Mode On, Sleep Out	Yes																																																												
Sleep In	Yes																																																												
Default	<table border="1" data-bbox="451 1319 1355 1453"> <thead> <tr> <th>Status</th> <th>Default Value</th> </tr> </thead> <tbody> <tr> <td>Power On Sequence</td> <td>VC[2:0]=3'h7, BT[2:0]=3'h4, VRH[3:0]=4'hC, VCIRE=1'h1</td> </tr> <tr> <td>SW Reset</td> <td>No change</td> </tr> <tr> <td>HW Reset</td> <td>VC[2:0]=3'h7, BT[2:0]=3'h4, VRH[3:0]=4'hC, VCIRE=1'h1</td> </tr> </tbody> </table>	Status	Default Value	Power On Sequence	VC[2:0]=3'h7, BT[2:0]=3'h4, VRH[3:0]=4'hC, VCIRE=1'h1	SW Reset	No change	HW Reset	VC[2:0]=3'h7, BT[2:0]=3'h4, VRH[3:0]=4'hC, VCIRE=1'h1																																																				
Status	Default Value																																																												
Power On Sequence	VC[2:0]=3'h7, BT[2:0]=3'h4, VRH[3:0]=4'hC, VCIRE=1'h1																																																												
SW Reset	No change																																																												
HW Reset	VC[2:0]=3'h7, BT[2:0]=3'h4, VRH[3:0]=4'hC, VCIRE=1'h1																																																												

**8.2.64. VCOM Control (D1h)**

D1H	VCOM Control												
	D/CX	RDX	WRX	D17-8	D7	D6	D5	D4	D3	D2	D1	D0	HEX
Command	0	1	↑	x	1	1	0	1	0	0	0	1	D1
1 <sup>st</sup> Parameter	1	1	↑	x	0	0	0	0	0	0	0	<b>SEL VCM</b>	00
2 <sup>nd</sup> Parameter	1	1	↑	x	0	VCM[6]	VCM[5]	VCM[4]	VCM[3]	VCM[2]	VCM[1]	VCM[0]	40
3 <sup>rd</sup> Parameter	1	1	↑	x	0	0	0	VDV[4]	VDV[3]	VDV[2]	VDV[1]	VDV[0]	0F

**SELVCM:** Selection the VCM setting. When the NV memory is programmed, the SELVCM will be set as '1' automatically.

SELVCM =0	Register D1h for VCM setting
SELVCM =1	NV Memory selected for VCM setting

**VCM [6:0]** is used to set factor to generate VCOMH voltage from the reference voltage VREG1OUT.

**Note:** VCOMH must be set as higher than Vci.

VCM[6:0]	VCOMH	VCM[6:0]	VCOMH
7'h00	VREG1OUT x 0.492	7'h40	VREG1OUT x 0.748
7'h01	VREG1OUT x 0.496	7'h41	VREG1OUT x 0.752
7'h02	VREG1OUT x 0.500	7'h42	VREG1OUT x 0.756
7'h03	VREG1OUT x 0.504	7'h43	VREG1OUT x 0.760
7'h04	VREG1OUT x 0.508	7'h44	VREG1OUT x 0.764
7'h05	VREG1OUT x 0.512	7'h45	VREG1OUT x 0.768
7'h06	VREG1OUT x 0.516	7'h46	VREG1OUT x 0.772
7'h07	VREG1OUT x 0.520	7'h47	VREG1OUT x 0.776
7'h08	VREG1OUT x 0.524	7'h48	VREG1OUT x 0.780
7'h09	VREG1OUT x 0.528	7'h49	VREG1OUT x 0.784
7'h0A	VREG1OUT x 0.532	7'h4A	VREG1OUT x 0.788
7'h0B	VREG1OUT x 0.536	7'h4B	VREG1OUT x 0.792
7'h0C	VREG1OUT x 0.540	7'h4C	VREG1OUT x 0.796
7'h0D	VREG1OUT x 0.544	7'h4D	VREG1OUT x 0.800
7'h0E	VREG1OUT x 0.548	7'h4E	VREG1OUT x 0.804
7'h0F	VREG1OUT x 0.552	7'h4F	VREG1OUT x 0.808
7'h10	VREG1OUT x 0.556	7'h50	VREG1OUT x 0.812
7'h11	VREG1OUT x 0.560	7'h51	VREG1OUT x 0.816
7'h12	VREG1OUT x 0.564	7'h52	VREG1OUT x 0.820
7'h13	VREG1OUT x 0.568	7'h53	VREG1OUT x 0.824
7'h14	VREG1OUT x 0.572	7'h54	VREG1OUT x 0.828
7'h15	VREG1OUT x 0.576	7'h55	VREG1OUT x 0.832
7'h16	VREG1OUT x 0.580	7'h56	VREG1OUT x 0.836
7'h17	VREG1OUT x 0.584	7'h57	VREG1OUT x 0.840
7'h18	VREG1OUT x 0.588	7'h58	VREG1OUT x 0.844
7'h19	VREG1OUT x 0.592	7'h59	VREG1OUT x 0.848
7'h1A	VREG1OUT x 0.596	7'h5A	VREG1OUT x 0.852
7'h1B	VREG1OUT x 0.600	7'h5B	VREG1OUT x 0.856
7'h1C	VREG1OUT x 0.604	7'h5C	VREG1OUT x 0.860
7'h1D	VREG1OUT x 0.608	7'h5D	VREG1OUT x 0.864
7'h1E	VREG1OUT x 0.612	7'h5E	VREG1OUT x 0.868
7'h1F	VREG1OUT x 0.616	7'h5F	VREG1OUT x 0.872
7'h20	VREG1OUT x 0.620	7'h60	VREG1OUT x 0.876
7'h21	VREG1OUT x 0.624	7'h61	VREG1OUT x 0.880
7'h22	VREG1OUT x 0.628	7'h62	VREG1OUT x 0.884
7'h23	VREG1OUT x 0.632	7'h63	VREG1OUT x 0.888
7'h24	VREG1OUT x 0.636	7'h64	VREG1OUT x 0.892
7'h25	VREG1OUT x 0.640	7'h65	VREG1OUT x 0.896

Description

7'h26	VREG1OUT x 0.644	7'h66	VREG1OUT x 0.900
7'h27	VREG1OUT x 0.648	7'h67	VREG1OUT x 0.904
7'h28	VREG1OUT x 0.652	7'h68	VREG1OUT x 0.908
7'h29	VREG1OUT x 0.656	7'h69	VREG1OUT x 0.912
7'h2A	VREG1OUT x 0.660	7'h6A	VREG1OUT x 0.916
7'h2B	VREG1OUT x 0.664	7'h6B	VREG1OUT x 0.920
7'h2C	VREG1OUT x 0.668	7'h6C	VREG1OUT x 0.924
7'h2D	VREG1OUT x 0.672	7'h6D	VREG1OUT x 0.928
7'h2E	VREG1OUT x 0.676	7'h6E	VREG1OUT x 0.932
7'h2F	VREG1OUT x 0.680	7'h6F	VREG1OUT x 0.936
7'h30	VREG1OUT x 0.684	7'h70	VREG1OUT x 0.940
7'h31	VREG1OUT x 0.688	7'h71	VREG1OUT x 0.944
7'h32	VREG1OUT x 0.692	7'h72	VREG1OUT x 0.948
7'h33	VREG1OUT x 0.696	7'h73	VREG1OUT x 0.952
7'h34	VREG1OUT x 0.700	7'h74	VREG1OUT x 0.956
7'h35	VREG1OUT x 0.704	7'h75	VREG1OUT x 0.960
7'h36	VREG1OUT x 0.708	7'h76	VREG1OUT x 0.964
7'h37	VREG1OUT x 0.712	7'h77	VREG1OUT x 0.968
7'h38	VREG1OUT x 0.716	7'h78	VREG1OUT x 0.972
7'h39	VREG1OUT x 0.720	7'h79	VREG1OUT x 0.976
7'h3A	VREG1OUT x 0.724	7'h7A	VREG1OUT x 0.980
7'h3B	VREG1OUT x 0.728	7'h7B	VREG1OUT x 0.984
7'h3C	VREG1OUT x 0.732	7'h7C	VREG1OUT x 0.988
7'h3D	VREG1OUT x 0.736	7'h7D	VREG1OUT x 0.992
7'h3E	VREG1OUT x 0.740	7'h7E	VREG1OUT x 0.996
7'h3F	VREG1OUT x 0.744	7'h7F	VREG1OUT x 1.000

**VDV[4:0]** is used to set the VCOM alternating amplitude in the range of VREG1OUT x 0.70 to VREG1OUT x 1.32.

<b>VDV[4:0]</b>	<b>VCOM amplitude</b>	<b>VDV[4:0]</b>	<b>VCOM amplitude</b>
5'h00	VREG1OUT x 0.70	5'h10	VREG1OUT x 1.02
5'h01	VREG1OUT x 0.72	5'h11	VREG1OUT x 1.04
5'h02	VREG1OUT x 0.74	5'h12	VREG1OUT x 1.06
5'h03	VREG1OUT x 0.76	5'h13	VREG1OUT x 1.08
5'h04	VREG1OUT x 0.78	5'h14	VREG1OUT x 1.10
5'h05	VREG1OUT x 0.80	5'h15	VREG1OUT x 1.12
5'h06	VREG1OUT x 0.82	5'h16	VREG1OUT x 1.14
5'h07	VREG1OUT x 0.84	5'h17	VREG1OUT x 1.16
5'h08	VREG1OUT x 0.86	5'h18	VREG1OUT x 1.18
5'h09	VREG1OUT x 0.88	5'h19	VREG1OUT x 1.20
5'h0A	VREG1OUT x 0.90	5'h1A	VREG1OUT x 1.22
5'h0B	VREG1OUT x 0.92	5'h1B	VREG1OUT x 1.24
5'h0C	VREG1OUT x 0.94	5'h1C	VREG1OUT x 1.26
5'h0D	VREG1OUT x 0.96	5'h1D	VREG1OUT x 1.28
5'h0E	VREG1OUT x 0.98	5'h1E	VREG1OUT x 1.30
5'h0F	VREG1OUT x 1.00	5'h1F	VREG1OUT x 1.32

**Set VDV[4:0] to let VCOM amplitude less than 6V.**

Register Availability	<table border="1"> <thead> <tr> <th data-bbox="614 226 1054 259">Status</th> <th data-bbox="1054 226 1198 259">Availability</th> </tr> </thead> <tbody> <tr> <td data-bbox="614 259 1054 293">Normal Mode On, Idle Mode Off, Sleep Out</td> <td data-bbox="1054 259 1198 293">Yes</td> </tr> <tr> <td data-bbox="614 293 1054 327">Normal Mode On, Idle Mode On, Sleep Out</td> <td data-bbox="1054 293 1198 327">Yes</td> </tr> <tr> <td data-bbox="614 327 1054 360">Partial Mode On, Idle Mode Off, Sleep Out</td> <td data-bbox="1054 327 1198 360">Yes</td> </tr> <tr> <td data-bbox="614 360 1054 394">Partial Mode On, Idle Mode On, Sleep Out</td> <td data-bbox="1054 360 1198 394">Yes</td> </tr> <tr> <td data-bbox="614 394 1054 427">Sleep In</td> <td data-bbox="1054 394 1198 427">Yes</td> </tr> </tbody> </table>	Status	Availability	Normal Mode On, Idle Mode Off, Sleep Out	Yes	Normal Mode On, Idle Mode On, Sleep Out	Yes	Partial Mode On, Idle Mode Off, Sleep Out	Yes	Partial Mode On, Idle Mode On, Sleep Out	Yes	Sleep In	Yes
Status	Availability												
Normal Mode On, Idle Mode Off, Sleep Out	Yes												
Normal Mode On, Idle Mode On, Sleep Out	Yes												
Partial Mode On, Idle Mode Off, Sleep Out	Yes												
Partial Mode On, Idle Mode On, Sleep Out	Yes												
Sleep In	Yes												
Default	<table border="1"> <thead> <tr> <th data-bbox="497 524 740 557">Status</th> <th data-bbox="740 524 1313 557">Default Value</th> </tr> </thead> <tbody> <tr> <td data-bbox="497 557 740 591">Power On Sequence</td> <td data-bbox="740 557 1313 591">VCM[5:0]=6'h40, VDV[4:0]=5'h0F, SELVCM=1'h0</td> </tr> <tr> <td data-bbox="497 591 740 624">SW Reset</td> <td data-bbox="740 591 1313 624">No change</td> </tr> <tr> <td data-bbox="497 624 740 658">HW Reset</td> <td data-bbox="740 624 1313 658">VCM[5:0]=6'h40, VDV[4:0]=5'h0F, SELVCM=1'h0</td> </tr> </tbody> </table>	Status	Default Value	Power On Sequence	VCM[5:0]=6'h40, VDV[4:0]=5'h0F, SELVCM=1'h0	SW Reset	No change	HW Reset	VCM[5:0]=6'h40, VDV[4:0]=5'h0F, SELVCM=1'h0				
Status	Default Value												
Power On Sequence	VCM[5:0]=6'h40, VDV[4:0]=5'h0F, SELVCM=1'h0												
SW Reset	No change												
HW Reset	VCM[5:0]=6'h40, VDV[4:0]=5'h0F, SELVCM=1'h0												



**8.2.65. Power\_Setting for Normal Mode (D2h)**

D2H	Power_Setting for Normal Mode																																																																											
	D/CX	RDX	WRX	D17-8	D7	D6	D5	D4	D3	D2	D1	D0	HEX																																																															
Command	0	1	↑	x	1	1	0	1	0	0	1	0	D2																																																															
1 <sup>st</sup> Parameter	1	1	↑	x	0	0	0	0	0	AP0[2]	AP0[1]	AP0[0]	01																																																															
2 <sup>nd</sup> Parameter	1	1	↑	x	0	DC10[2]	DC10[1]	DC10[0]	0	DC00[2]	DC00[1]	DC00[0]	44																																																															
Description	<p><b>AP0[2:0]</b></p> <p>AP0 bit is used to adjust the constant current in the operational amplifier circuit in the LCD power supply circuit. Larger constant current enhances the drivability of the LCD, but it also increases the current consumption. Adjust the constant current taking the trade-off between the display quality and the current consumption into account. In no-display period, set AP=3'h0 to halt the operational amplifier circuit and the step-up circuits to reduce current consumption.</p> <table border="1"> <thead> <tr> <th>AP0[2:0]</th> <th>Gamma Driver Amplifier</th> <th>Source Driver Amplifier</th> </tr> </thead> <tbody> <tr><td>3'h0</td><td>Halt operation</td><td>Halt operation</td></tr> <tr><td>3'h1</td><td>1.00</td><td>1.00</td></tr> <tr><td>3'h2</td><td>1.00</td><td>0.75</td></tr> <tr><td>3'h3</td><td>1.00</td><td>0.50</td></tr> <tr><td>3'h4</td><td>0.75</td><td>1.00</td></tr> <tr><td>3'h5</td><td>0.75</td><td>0.75</td></tr> <tr><td>3'h6</td><td>0.75</td><td>0.50</td></tr> <tr><td>3'h7</td><td>0.50</td><td>0.50</td></tr> </tbody> </table> <p><b>DC00[2:0], DC10[2:0]</b></p> <p>DC00/DC10 are used to select the charge-pump frequency of circuit and circuit2.</p> <table border="1"> <thead> <tr> <th>DC00[1:0]</th> <th>Step-up circuit 1 clock frequency (fDCDC1)</th> </tr> </thead> <tbody> <tr><td>2'h0</td><td>Fosc</td></tr> <tr><td>2'h1</td><td>Fosc / 2</td></tr> <tr><td>2'h2</td><td>Fosc / 4</td></tr> <tr><td>2'h3</td><td>Fosc / 8</td></tr> <tr><td>2'h4</td><td>Fosc / 16</td></tr> <tr><td>2'h5</td><td>Fosc / 32</td></tr> <tr><td>2'h6</td><td>Fosc / 64</td></tr> <tr><td>2'h7</td><td>Setting inhibited</td></tr> </tbody> </table> <table border="1"> <thead> <tr> <th>DC10[1:0]</th> <th>Step-up circuit 2 clock frequency (fDCDC2)</th> </tr> </thead> <tbody> <tr><td>2'h0</td><td>Fosc / 16</td></tr> <tr><td>2'h1</td><td>Fosc / 32</td></tr> <tr><td>2'h2</td><td>Fosc / 64</td></tr> <tr><td>2'h3</td><td>Fosc / 128</td></tr> <tr><td>2'h4</td><td>Fosc / 256</td></tr> <tr><td>2'h5</td><td>Fosc / 512</td></tr> <tr><td>2'h6</td><td>Setting inhibited</td></tr> <tr><td>2'h7</td><td>Setting inhibited</td></tr> </tbody> </table>													AP0[2:0]	Gamma Driver Amplifier	Source Driver Amplifier	3'h0	Halt operation	Halt operation	3'h1	1.00	1.00	3'h2	1.00	0.75	3'h3	1.00	0.50	3'h4	0.75	1.00	3'h5	0.75	0.75	3'h6	0.75	0.50	3'h7	0.50	0.50	DC00[1:0]	Step-up circuit 1 clock frequency (fDCDC1)	2'h0	Fosc	2'h1	Fosc / 2	2'h2	Fosc / 4	2'h3	Fosc / 8	2'h4	Fosc / 16	2'h5	Fosc / 32	2'h6	Fosc / 64	2'h7	Setting inhibited	DC10[1:0]	Step-up circuit 2 clock frequency (fDCDC2)	2'h0	Fosc / 16	2'h1	Fosc / 32	2'h2	Fosc / 64	2'h3	Fosc / 128	2'h4	Fosc / 256	2'h5	Fosc / 512	2'h6	Setting inhibited	2'h7	Setting inhibited
	AP0[2:0]	Gamma Driver Amplifier	Source Driver Amplifier																																																																									
	3'h0	Halt operation	Halt operation																																																																									
	3'h1	1.00	1.00																																																																									
3'h2	1.00	0.75																																																																										
3'h3	1.00	0.50																																																																										
3'h4	0.75	1.00																																																																										
3'h5	0.75	0.75																																																																										
3'h6	0.75	0.50																																																																										
3'h7	0.50	0.50																																																																										
DC00[1:0]	Step-up circuit 1 clock frequency (fDCDC1)																																																																											
2'h0	Fosc																																																																											
2'h1	Fosc / 2																																																																											
2'h2	Fosc / 4																																																																											
2'h3	Fosc / 8																																																																											
2'h4	Fosc / 16																																																																											
2'h5	Fosc / 32																																																																											
2'h6	Fosc / 64																																																																											
2'h7	Setting inhibited																																																																											
DC10[1:0]	Step-up circuit 2 clock frequency (fDCDC2)																																																																											
2'h0	Fosc / 16																																																																											
2'h1	Fosc / 32																																																																											
2'h2	Fosc / 64																																																																											
2'h3	Fosc / 128																																																																											
2'h4	Fosc / 256																																																																											
2'h5	Fosc / 512																																																																											
2'h6	Setting inhibited																																																																											
2'h7	Setting inhibited																																																																											
Register Availability	<table border="1"> <thead> <tr> <th>Status</th> <th>Availability</th> </tr> </thead> <tbody> <tr><td>Normal Mode On, Idle Mode Off, Sleep Out</td><td>Yes</td></tr> <tr><td>Normal Mode On, Idle Mode On, Sleep Out</td><td>Yes</td></tr> <tr><td>Partial Mode On, Idle Mode Off, Sleep Out</td><td>Yes</td></tr> <tr><td>Partial Mode On, Idle Mode On, Sleep Out</td><td>Yes</td></tr> <tr><td>Sleep In</td><td>Yes</td></tr> </tbody> </table>												Status	Availability	Normal Mode On, Idle Mode Off, Sleep Out	Yes	Normal Mode On, Idle Mode On, Sleep Out	Yes	Partial Mode On, Idle Mode Off, Sleep Out	Yes	Partial Mode On, Idle Mode On, Sleep Out	Yes	Sleep In	Yes																																																				
	Status	Availability																																																																										
	Normal Mode On, Idle Mode Off, Sleep Out	Yes																																																																										
	Normal Mode On, Idle Mode On, Sleep Out	Yes																																																																										
	Partial Mode On, Idle Mode Off, Sleep Out	Yes																																																																										
	Partial Mode On, Idle Mode On, Sleep Out	Yes																																																																										
Sleep In	Yes																																																																											

Default	<b>Status</b>	<b>Default Value</b>
	Power On Sequence	AP0[2:0]=3'h1, DC10[2:0]=3'h4, DC00[2:0]=3'h4
	SW Reset	No change
	HW Reset	AP0[2:0]=3'h1, DC10[2:0]=3'h4, DC00[2:0]=3'h4

**8.2.66. Power\_Setting for Partial Mode (D3h)**

D3H	Power_Setting for Partial Mode																																																																											
	D/CX	RDX	WRX	D17-8	D7	D6	D5	D4	D3	D2	D1	D0	HEX																																																															
Command	0	1	↑	x	1	1	0	1	0	0	1	1	D3																																																															
1 <sup>st</sup> Parameter	1	1	↑	x	0	0	0	0	0	AP1[2]	AP1[1]	AP1[0]	01																																																															
2 <sup>nd</sup> Parameter	1	1	↑	x	0	DC11[2]	DC11[1]	DC11[0]	0	DC01[2]	DC01[1]	DC01[0]	44																																																															
Description	<p><b>AP1[2:0]</b></p> <p>AP1 bit is used to adjust the constant current in the operational amplifier circuit in the LCD power supply circuit. Larger constant current enhances the drivability of the LCD, but it also increases the current consumption. Adjust the constant current taking the trade-off between the display quality and the current consumption into account. In no-display period, set AP1=3'h0 to halt the operational amplifier circuit and the step-up circuits to reduce current consumption.</p> <table border="1"> <thead> <tr> <th>AP1[2:0]</th> <th>Gamma Driver Amplifier</th> <th>Source Driver Amplifier</th> </tr> </thead> <tbody> <tr><td>3'h0</td><td>Halt operation</td><td>Halt operation</td></tr> <tr><td>3'h1</td><td>1.00</td><td>1.00</td></tr> <tr><td>3'h2</td><td>1.00</td><td>0.75</td></tr> <tr><td>3'h3</td><td>1.00</td><td>0.50</td></tr> <tr><td>3'h4</td><td>0.75</td><td>1.00</td></tr> <tr><td>3'h5</td><td>0.75</td><td>0.75</td></tr> <tr><td>3'h6</td><td>0.75</td><td>0.50</td></tr> <tr><td>3'h7</td><td>0.50</td><td>0.50</td></tr> </tbody> </table> <p><b>DC01[2:0], DC11[2:0]</b></p> <p>DC01/DC11 are used to select the charge-pump frequency of circuit and circuit2.</p> <table border="1"> <thead> <tr> <th>DC01[1:0]</th> <th>Step-up circuit 1 clock frequency (fDCDC1)</th> </tr> </thead> <tbody> <tr><td>2'h0</td><td>Fosc</td></tr> <tr><td>2'h1</td><td>Fosc / 2</td></tr> <tr><td>2'h2</td><td>Fosc / 4</td></tr> <tr><td>2'h3</td><td>Fosc / 8</td></tr> <tr><td>2'h4</td><td>Fosc / 16</td></tr> <tr><td>2'h5</td><td>Fosc / 32</td></tr> <tr><td>2'h6</td><td>Fosc / 64</td></tr> <tr><td>2'h7</td><td>Setting inhibited</td></tr> </tbody> </table> <table border="1"> <thead> <tr> <th>DC11[1:0]</th> <th>Step-up circuit 2 clock frequency (fDCDC2)</th> </tr> </thead> <tbody> <tr><td>2'h0</td><td>Fosc / 16</td></tr> <tr><td>2'h1</td><td>Fosc / 32</td></tr> <tr><td>2'h2</td><td>Fosc / 64</td></tr> <tr><td>2'h3</td><td>Fosc / 128</td></tr> <tr><td>2'h4</td><td>Fosc / 256</td></tr> <tr><td>2'h5</td><td>Fosc / 512</td></tr> <tr><td>2'h6</td><td>Setting inhibited</td></tr> <tr><td>2'h7</td><td>Setting inhibited</td></tr> </tbody> </table>													AP1[2:0]	Gamma Driver Amplifier	Source Driver Amplifier	3'h0	Halt operation	Halt operation	3'h1	1.00	1.00	3'h2	1.00	0.75	3'h3	1.00	0.50	3'h4	0.75	1.00	3'h5	0.75	0.75	3'h6	0.75	0.50	3'h7	0.50	0.50	DC01[1:0]	Step-up circuit 1 clock frequency (fDCDC1)	2'h0	Fosc	2'h1	Fosc / 2	2'h2	Fosc / 4	2'h3	Fosc / 8	2'h4	Fosc / 16	2'h5	Fosc / 32	2'h6	Fosc / 64	2'h7	Setting inhibited	DC11[1:0]	Step-up circuit 2 clock frequency (fDCDC2)	2'h0	Fosc / 16	2'h1	Fosc / 32	2'h2	Fosc / 64	2'h3	Fosc / 128	2'h4	Fosc / 256	2'h5	Fosc / 512	2'h6	Setting inhibited	2'h7	Setting inhibited
	AP1[2:0]	Gamma Driver Amplifier	Source Driver Amplifier																																																																									
	3'h0	Halt operation	Halt operation																																																																									
	3'h1	1.00	1.00																																																																									
3'h2	1.00	0.75																																																																										
3'h3	1.00	0.50																																																																										
3'h4	0.75	1.00																																																																										
3'h5	0.75	0.75																																																																										
3'h6	0.75	0.50																																																																										
3'h7	0.50	0.50																																																																										
DC01[1:0]	Step-up circuit 1 clock frequency (fDCDC1)																																																																											
2'h0	Fosc																																																																											
2'h1	Fosc / 2																																																																											
2'h2	Fosc / 4																																																																											
2'h3	Fosc / 8																																																																											
2'h4	Fosc / 16																																																																											
2'h5	Fosc / 32																																																																											
2'h6	Fosc / 64																																																																											
2'h7	Setting inhibited																																																																											
DC11[1:0]	Step-up circuit 2 clock frequency (fDCDC2)																																																																											
2'h0	Fosc / 16																																																																											
2'h1	Fosc / 32																																																																											
2'h2	Fosc / 64																																																																											
2'h3	Fosc / 128																																																																											
2'h4	Fosc / 256																																																																											
2'h5	Fosc / 512																																																																											
2'h6	Setting inhibited																																																																											
2'h7	Setting inhibited																																																																											
Register Availability	<table border="1"> <thead> <tr> <th>Status</th> <th>Availability</th> </tr> </thead> <tbody> <tr><td>Normal Mode On, Idle Mode Off, Sleep Out</td><td>Yes</td></tr> <tr><td>Normal Mode On, Idle Mode On, Sleep Out</td><td>Yes</td></tr> <tr><td>Partial Mode On, Idle Mode Off, Sleep Out</td><td>Yes</td></tr> <tr><td>Partial Mode On, Idle Mode On, Sleep Out</td><td>Yes</td></tr> <tr><td>Sleep In</td><td>Yes</td></tr> </tbody> </table>												Status	Availability	Normal Mode On, Idle Mode Off, Sleep Out	Yes	Normal Mode On, Idle Mode On, Sleep Out	Yes	Partial Mode On, Idle Mode Off, Sleep Out	Yes	Partial Mode On, Idle Mode On, Sleep Out	Yes	Sleep In	Yes																																																				
	Status	Availability																																																																										
	Normal Mode On, Idle Mode Off, Sleep Out	Yes																																																																										
	Normal Mode On, Idle Mode On, Sleep Out	Yes																																																																										
	Partial Mode On, Idle Mode Off, Sleep Out	Yes																																																																										
	Partial Mode On, Idle Mode On, Sleep Out	Yes																																																																										
Sleep In	Yes																																																																											

Default	<table border="1"> <thead> <tr> <th>Status</th> <th>Default Value</th> </tr> </thead> <tbody> <tr> <td>Power On Sequence</td> <td>AP1[2:0]=3'h1, DC11[2:0]=3'h4, DC01[2:0]=3'h4</td> </tr> <tr> <td>SW Reset</td> <td>No change</td> </tr> <tr> <td>HW Reset</td> <td>AP1[2:0]=3'h1, DC11[2:0]=3'h4, DC01[2:0]=3'h4</td> </tr> </tbody> </table>		Status	Default Value	Power On Sequence	AP1[2:0]=3'h1, DC11[2:0]=3'h4, DC01[2:0]=3'h4	SW Reset	No change	HW Reset	AP1[2:0]=3'h1, DC11[2:0]=3'h4, DC01[2:0]=3'h4
	Status	Default Value								
	Power On Sequence	AP1[2:0]=3'h1, DC11[2:0]=3'h4, DC01[2:0]=3'h4								
	SW Reset	No change								
HW Reset	AP1[2:0]=3'h1, DC11[2:0]=3'h4, DC01[2:0]=3'h4									

**8.2.67. Power\_Setting for Idle Mode (D4h)**

D4H	Power_Setting for Idle Mode																																																																											
	D/CX	RDX	WRX	D17-8	D7	D6	D5	D4	D3	D2	D1	D0	HEX																																																															
Command	0	1	↑	x	1	1	0	1	0	1	0	0	D4																																																															
1 <sup>st</sup> Parameter	1	1	↑	x	0	0	0	0	0	AP2[2]	AP2[1]	AP2[0]	01																																																															
2 <sup>nd</sup> Parameter	1	1	↑	x	0	DC12[2]	DC12[1]	DC12[0]	0	DC02[2]	DC02[1]	DC02[0]	44																																																															
Description	<p><b>AP2[2:0]</b></p> <p>AP2 bit is used to adjust the constant current in the operational amplifier circuit in the LCD power supply circuit. Larger constant current enhances the drivability of the LCD, but it also increases the current consumption. Adjust the constant current taking the trade-off between the display quality and the current consumption into account. In no-display period, set AP2=3'h0 to halt the operational amplifier circuit and the step-up circuits to reduce current consumption.</p> <table border="1"> <thead> <tr> <th>AP2[2:0]</th> <th>Gamma Driver Amplifier</th> <th>Source Driver Amplifier</th> </tr> </thead> <tbody> <tr><td>3'h0</td><td>Halt operation</td><td>Halt operation</td></tr> <tr><td>3'h1</td><td>1.00</td><td>1.00</td></tr> <tr><td>3'h2</td><td>1.00</td><td>0.75</td></tr> <tr><td>3'h3</td><td>1.00</td><td>0.50</td></tr> <tr><td>3'h4</td><td>0.75</td><td>1.00</td></tr> <tr><td>3'h5</td><td>0.75</td><td>0.75</td></tr> <tr><td>3'h6</td><td>0.75</td><td>0.50</td></tr> <tr><td>3'h7</td><td>0.50</td><td>0.50</td></tr> </tbody> </table> <p><b>DC02[2:0], DC12[2:0]</b></p> <p>DC01/DC11 are used to select the charge-pump frequency of circuit and circuit2.</p> <table border="1"> <thead> <tr> <th>DC02[1:0]</th> <th>Step-up circuit 1 clock frequency (fDCDC1)</th> </tr> </thead> <tbody> <tr><td>2'h0</td><td>Fosc</td></tr> <tr><td>2'h1</td><td>Fosc / 2</td></tr> <tr><td>2'h2</td><td>Fosc / 4</td></tr> <tr><td>2'h3</td><td>Fosc / 8</td></tr> <tr><td>2'h4</td><td>Fosc / 16</td></tr> <tr><td>2'h5</td><td>Fosc / 32</td></tr> <tr><td>2'h6</td><td>Fosc / 64</td></tr> <tr><td>2'h7</td><td>Setting inhibited</td></tr> </tbody> </table> <table border="1"> <thead> <tr> <th>DC12[1:0]</th> <th>Step-up circuit 2 clock frequency (fDCDC2)</th> </tr> </thead> <tbody> <tr><td>2'h0</td><td>Fosc / 16</td></tr> <tr><td>2'h1</td><td>Fosc / 32</td></tr> <tr><td>2'h2</td><td>Fosc / 64</td></tr> <tr><td>2'h3</td><td>Fosc / 128</td></tr> <tr><td>2'h4</td><td>Fosc / 256</td></tr> <tr><td>2'h5</td><td>Fosc / 512</td></tr> <tr><td>2'h6</td><td>Setting inhibited</td></tr> <tr><td>2'h7</td><td>Setting inhibited</td></tr> </tbody> </table>													AP2[2:0]	Gamma Driver Amplifier	Source Driver Amplifier	3'h0	Halt operation	Halt operation	3'h1	1.00	1.00	3'h2	1.00	0.75	3'h3	1.00	0.50	3'h4	0.75	1.00	3'h5	0.75	0.75	3'h6	0.75	0.50	3'h7	0.50	0.50	DC02[1:0]	Step-up circuit 1 clock frequency (fDCDC1)	2'h0	Fosc	2'h1	Fosc / 2	2'h2	Fosc / 4	2'h3	Fosc / 8	2'h4	Fosc / 16	2'h5	Fosc / 32	2'h6	Fosc / 64	2'h7	Setting inhibited	DC12[1:0]	Step-up circuit 2 clock frequency (fDCDC2)	2'h0	Fosc / 16	2'h1	Fosc / 32	2'h2	Fosc / 64	2'h3	Fosc / 128	2'h4	Fosc / 256	2'h5	Fosc / 512	2'h6	Setting inhibited	2'h7	Setting inhibited
	AP2[2:0]	Gamma Driver Amplifier	Source Driver Amplifier																																																																									
	3'h0	Halt operation	Halt operation																																																																									
	3'h1	1.00	1.00																																																																									
3'h2	1.00	0.75																																																																										
3'h3	1.00	0.50																																																																										
3'h4	0.75	1.00																																																																										
3'h5	0.75	0.75																																																																										
3'h6	0.75	0.50																																																																										
3'h7	0.50	0.50																																																																										
DC02[1:0]	Step-up circuit 1 clock frequency (fDCDC1)																																																																											
2'h0	Fosc																																																																											
2'h1	Fosc / 2																																																																											
2'h2	Fosc / 4																																																																											
2'h3	Fosc / 8																																																																											
2'h4	Fosc / 16																																																																											
2'h5	Fosc / 32																																																																											
2'h6	Fosc / 64																																																																											
2'h7	Setting inhibited																																																																											
DC12[1:0]	Step-up circuit 2 clock frequency (fDCDC2)																																																																											
2'h0	Fosc / 16																																																																											
2'h1	Fosc / 32																																																																											
2'h2	Fosc / 64																																																																											
2'h3	Fosc / 128																																																																											
2'h4	Fosc / 256																																																																											
2'h5	Fosc / 512																																																																											
2'h6	Setting inhibited																																																																											
2'h7	Setting inhibited																																																																											
Register Availability	<table border="1"> <thead> <tr> <th>Status</th> <th>Availability</th> </tr> </thead> <tbody> <tr><td>Normal Mode On, Idle Mode Off, Sleep Out</td><td>Yes</td></tr> <tr><td>Normal Mode On, Idle Mode On, Sleep Out</td><td>Yes</td></tr> <tr><td>Partial Mode On, Idle Mode Off, Sleep Out</td><td>Yes</td></tr> <tr><td>Partial Mode On, Idle Mode On, Sleep Out</td><td>Yes</td></tr> <tr><td>Sleep In</td><td>Yes</td></tr> </tbody> </table>												Status	Availability	Normal Mode On, Idle Mode Off, Sleep Out	Yes	Normal Mode On, Idle Mode On, Sleep Out	Yes	Partial Mode On, Idle Mode Off, Sleep Out	Yes	Partial Mode On, Idle Mode On, Sleep Out	Yes	Sleep In	Yes																																																				
	Status	Availability																																																																										
	Normal Mode On, Idle Mode Off, Sleep Out	Yes																																																																										
	Normal Mode On, Idle Mode On, Sleep Out	Yes																																																																										
	Partial Mode On, Idle Mode Off, Sleep Out	Yes																																																																										
	Partial Mode On, Idle Mode On, Sleep Out	Yes																																																																										
Sleep In	Yes																																																																											

Default	<b>Status</b>	<b>Default Value</b>
	Power On Sequence	AP2[2:0]=3'h1, DC12[2:0]=3'h4, DC02[2:0]=3'h4
	SW Reset	No change
	HW Reset	AP2[2:0]=3'h1, DC11[2:0]=3'h4, DC02[2:0]=3'h4

**8.2.68. NV Memory Write (E0h)**

E0H	NV Memory Write																								
	D/CX	RDX	WRX	D17-8	D7	D6	D5	D4	D3	D2	D1	D0	HEX												
Command	0	1	↑	x	1	1	1	0	0	0	0	0	E0												
1 <sup>st</sup> Parameter	1	1	↑	x	VM_D [7]	VM_D [6]	VM_D [5]	VM_D [4]	VM_D [3]	VM_D [2]	VM_D [1]	VM_D [0]	00												
Description	<p>This command is used to program the NV memory data.</p> <p><b>VM_D[7:0]:</b> Use to write the data (including VCM and ID code) into the NV memory data.</p>																								
Restriction																									
Register Availability	<table border="1" style="margin-left: auto; margin-right: auto;"> <thead> <tr> <th style="background-color: #cccccc;">Status</th> <th style="background-color: #cccccc;">Availability</th> </tr> </thead> <tbody> <tr> <td>Normal Mode On, Idle Mode Off, Sleep Out</td> <td>Yes</td> </tr> <tr> <td>Normal Mode On, Idle Mode On, Sleep Out</td> <td>Yes</td> </tr> <tr> <td>Partial Mode On, Idle Mode Off, Sleep Out</td> <td>Yes</td> </tr> <tr> <td>Partial Mode On, Idle Mode On, Sleep Out</td> <td>Yes</td> </tr> <tr> <td>Sleep In</td> <td>Yes</td> </tr> </tbody> </table>													Status	Availability	Normal Mode On, Idle Mode Off, Sleep Out	Yes	Normal Mode On, Idle Mode On, Sleep Out	Yes	Partial Mode On, Idle Mode Off, Sleep Out	Yes	Partial Mode On, Idle Mode On, Sleep Out	Yes	Sleep In	Yes
Status	Availability																								
Normal Mode On, Idle Mode Off, Sleep Out	Yes																								
Normal Mode On, Idle Mode On, Sleep Out	Yes																								
Partial Mode On, Idle Mode Off, Sleep Out	Yes																								
Partial Mode On, Idle Mode On, Sleep Out	Yes																								
Sleep In	Yes																								
Default	<table border="1" style="margin-left: auto; margin-right: auto;"> <thead> <tr> <th style="background-color: #cccccc;">Status</th> <th style="background-color: #cccccc;">Default Value</th> </tr> </thead> <tbody> <tr> <td>Power On Sequence</td> <td>VM_D[7:0]=8'h00</td> </tr> <tr> <td>SW Reset</td> <td>No change</td> </tr> <tr> <td>HW Reset</td> <td>VM_D[7:0]=8'h00</td> </tr> </tbody> </table>													Status	Default Value	Power On Sequence	VM_D[7:0]=8'h00	SW Reset	No change	HW Reset	VM_D[7:0]=8'h00				
Status	Default Value																								
Power On Sequence	VM_D[7:0]=8'h00																								
SW Reset	No change																								
HW Reset	VM_D[7:0]=8'h00																								

**8.2.69. NV Memory Control (E1h)**

E1H	NV Memory Control																											
	D/CX	RDX	WRX	D17-8	D7	D6	D5	D4	D3	D2	D1	D0	HEX															
Command	0	1	↑	x	1	1	1	0	0	0	0	1	E1															
1 <sup>st</sup> Parameter	1	1	↑	x	0	0	ID_PGM_EN	VCM_PGM_EN	0	0	0	0	00															
Description	<p>This command is used to control the NV memory programming.</p> <p><b>VCM_PGM_EN:</b> VCM OTP programming enable. When writing the VCOMH NV memory, the bit must be set as '1'.</p> <p><i>When the VCOMH NV memory is programmed, the SELVCM bit of RD1h register will be set as '1' automatically.</i></p> <p><i>Note that: VCM OTP can be written 3 times.</i></p> <p><b>ID_PGM_EN:</b> ID OTP programming enable. When writing the ID code NV memory, the bit must be set as '1'.</p> <p><i>Note that: ID OTP can be only written 1 time.</i></p> <table border="1" style="margin-left: auto; margin-right: auto;"> <thead> <tr> <th>ID_PGM_EN</th> <th>VCM_PGM_EN</th> <th>OTP Programming Selection</th> </tr> </thead> <tbody> <tr> <td>0</td> <td>0</td> <td>NV Memory programming disabled</td> </tr> <tr> <td>0</td> <td>1</td> <td>VCM (VCOMH) NV Memory programming enable</td> </tr> <tr> <td>1</td> <td>0</td> <td>ID code NV Memory programming enable</td> </tr> <tr> <td>1</td> <td>1</td> <td>Setting Prohibited</td> </tr> </tbody> </table>													ID_PGM_EN	VCM_PGM_EN	OTP Programming Selection	0	0	NV Memory programming disabled	0	1	VCM (VCOMH) NV Memory programming enable	1	0	ID code NV Memory programming enable	1	1	Setting Prohibited
ID_PGM_EN	VCM_PGM_EN	OTP Programming Selection																										
0	0	NV Memory programming disabled																										
0	1	VCM (VCOMH) NV Memory programming enable																										
1	0	ID code NV Memory programming enable																										
1	1	Setting Prohibited																										
Restriction																												
Register Availability	<table border="1" style="margin-left: auto; margin-right: auto;"> <thead> <tr> <th>Status</th> <th>Availability</th> </tr> </thead> <tbody> <tr> <td>Normal Mode On, Idle Mode Off, Sleep Out</td> <td>Yes</td> </tr> <tr> <td>Normal Mode On, Idle Mode On, Sleep Out</td> <td>Yes</td> </tr> <tr> <td>Partial Mode On, Idle Mode Off, Sleep Out</td> <td>Yes</td> </tr> <tr> <td>Partial Mode On, Idle Mode On, Sleep Out</td> <td>Yes</td> </tr> <tr> <td>Sleep In</td> <td>Yes</td> </tr> </tbody> </table>													Status	Availability	Normal Mode On, Idle Mode Off, Sleep Out	Yes	Normal Mode On, Idle Mode On, Sleep Out	Yes	Partial Mode On, Idle Mode Off, Sleep Out	Yes	Partial Mode On, Idle Mode On, Sleep Out	Yes	Sleep In	Yes			
Status	Availability																											
Normal Mode On, Idle Mode Off, Sleep Out	Yes																											
Normal Mode On, Idle Mode On, Sleep Out	Yes																											
Partial Mode On, Idle Mode Off, Sleep Out	Yes																											
Partial Mode On, Idle Mode On, Sleep Out	Yes																											
Sleep In	Yes																											
Default	<table border="1" style="margin-left: auto; margin-right: auto;"> <thead> <tr> <th>Status</th> <th>Default Value</th> </tr> </thead> <tbody> <tr> <td>Power On Sequence</td> <td>ID_PGM_EN=1'h0; VCM_PGM_EN=1'h0</td> </tr> <tr> <td>SW Reset</td> <td>No change</td> </tr> <tr> <td>HW Reset</td> <td>ID_PGM_EN=1'h0; VCM_PGM_EN=1'h0</td> </tr> </tbody> </table>													Status	Default Value	Power On Sequence	ID_PGM_EN=1'h0; VCM_PGM_EN=1'h0	SW Reset	No change	HW Reset	ID_PGM_EN=1'h0; VCM_PGM_EN=1'h0							
Status	Default Value																											
Power On Sequence	ID_PGM_EN=1'h0; VCM_PGM_EN=1'h0																											
SW Reset	No change																											
HW Reset	ID_PGM_EN=1'h0; VCM_PGM_EN=1'h0																											



### 8.2.70. NV Memory Status Read (E2h)

E2H	NV Memory Status Read																								
	D/CX	RDX	WRX	D17-8	D7	D6	D5	D4	D3	D2	D1	D0	HEX												
Command	0	1	↑	x	1	1	1	0	0	0	1	0	E2												
1 <sup>st</sup> Parameter	1	↑	1	x	x	x	x	x	x	x	x	x	x												
2 <sup>nd</sup> Parameter	1	↑	1	x	0	0	0	0	0	0	PGM_CNT1	PGM_CNT0	00												
3 <sup>rd</sup> Parameter	1	↑	1	x	0	NV_VCM[6]	NV_VCM[5]	NV_VCM[4]	NV_VCM[3]	NV_VCM[2]	NV_VCM[1]	NV_VCM[0]	00												
Description	<p><b>PGM_CNT[1:0]:</b> NV memory programmed record. The bit will increase "+1" automatically when writing the NV_VCM [5:0].</p> <table border="1" style="margin-left: auto; margin-right: auto;"> <thead> <tr> <th>PGM_CNT[1:0]</th> <th>Description</th> </tr> </thead> <tbody> <tr> <td>00</td> <td>NV Memory clean</td> </tr> <tr> <td>01</td> <td>NV Memory programmed 1 time</td> </tr> <tr> <td>10</td> <td>NV Memory programmed 2 times</td> </tr> <tr> <td>11</td> <td>NV Memory programmed 3 times</td> </tr> </tbody> </table> <p style="text-align: center;"><b>These bits are read only.</b></p> <p><b>NV_VCM [6:0]:</b> NV memory VCM data read value. These bits are read only.</p>													PGM_CNT[1:0]	Description	00	NV Memory clean	01	NV Memory programmed 1 time	10	NV Memory programmed 2 times	11	NV Memory programmed 3 times		
	PGM_CNT[1:0]	Description																							
00	NV Memory clean																								
01	NV Memory programmed 1 time																								
10	NV Memory programmed 2 times																								
11	NV Memory programmed 3 times																								
Restriction																									
Register Availability	<table border="1" style="margin-left: auto; margin-right: auto;"> <thead> <tr> <th>Status</th> <th>Availability</th> </tr> </thead> <tbody> <tr> <td>Normal Mode On, Idle Mode Off, Sleep Out</td> <td>Yes</td> </tr> <tr> <td>Normal Mode On, Idle Mode On, Sleep Out</td> <td>Yes</td> </tr> <tr> <td>Partial Mode On, Idle Mode Off, Sleep Out</td> <td>Yes</td> </tr> <tr> <td>Partial Mode On, Idle Mode On, Sleep Out</td> <td>Yes</td> </tr> <tr> <td>Sleep In</td> <td>Yes</td> </tr> </tbody> </table>													Status	Availability	Normal Mode On, Idle Mode Off, Sleep Out	Yes	Normal Mode On, Idle Mode On, Sleep Out	Yes	Partial Mode On, Idle Mode Off, Sleep Out	Yes	Partial Mode On, Idle Mode On, Sleep Out	Yes	Sleep In	Yes
	Status	Availability																							
	Normal Mode On, Idle Mode Off, Sleep Out	Yes																							
	Normal Mode On, Idle Mode On, Sleep Out	Yes																							
	Partial Mode On, Idle Mode Off, Sleep Out	Yes																							
Partial Mode On, Idle Mode On, Sleep Out	Yes																								
Sleep In	Yes																								
Default	<table border="1" style="margin-left: auto; margin-right: auto;"> <thead> <tr> <th>Status</th> <th>Default Value</th> </tr> </thead> <tbody> <tr> <td>Power On Sequence</td> <td>PGM_CNT[1:0]=2'h0, NV_VCM[6:0]=7'h0</td> </tr> <tr> <td>SW Reset</td> <td>No change</td> </tr> <tr> <td>HW Reset</td> <td>PGM_CNT[1:0]=2'h0, NV_VCM[6:0]=7'h0</td> </tr> </tbody> </table>													Status	Default Value	Power On Sequence	PGM_CNT[1:0]=2'h0, NV_VCM[6:0]=7'h0	SW Reset	No change	HW Reset	PGM_CNT[1:0]=2'h0, NV_VCM[6:0]=7'h0				
	Status	Default Value																							
	Power On Sequence	PGM_CNT[1:0]=2'h0, NV_VCM[6:0]=7'h0																							
	SW Reset	No change																							
HW Reset	PGM_CNT[1:0]=2'h0, NV_VCM[6:0]=7'h0																								

### 8.2.71. NV Memory Protection (E3h)

E3H	NV Memory Protection																								
	D/CX	RDX	WRX	D17-8	D7	D6	D5	D4	D3	D2	D1	D0	HEX												
Command	0	1	↑	--	1	1	1	0	0	0	1	1	E3												
1 <sup>st</sup> Parameter	1	1	↑	--	KEY [15]	KEY [14]	KEY [13]	KEY [12]	KEY [11]	KEY [10]	KEY [9]	KEY [8]	00												
2 <sup>nd</sup> Parameter	1	1	↑	--	KEY [7]	KEY [6]	KEY [5]	KEY [4]	KEY [3]	KEY [2]	KEY [1]	KEY [0]	00												
Description	<b>KEY[15:0]:</b> NV memory programming protection key. When writing OTP data C8h, this register must be set as 0xAA55 to enable OTP programming. If C8h register is not written with 0xAA55, NV Memory programming will fail.																								
Restriction																									
Register Availability	<table border="1"> <thead> <tr> <th>Status</th> <th>Availability</th> </tr> </thead> <tbody> <tr> <td>Normal Mode On, Idle Mode Off, Sleep Out</td> <td>Yes</td> </tr> <tr> <td>Normal Mode On, Idle Mode On, Sleep Out</td> <td>Yes</td> </tr> <tr> <td>Partial Mode On, Idle Mode Off, Sleep Out</td> <td>Yes</td> </tr> <tr> <td>Partial Mode On, Idle Mode On, Sleep Out</td> <td>Yes</td> </tr> <tr> <td>Sleep In</td> <td>Yes</td> </tr> </tbody> </table>													Status	Availability	Normal Mode On, Idle Mode Off, Sleep Out	Yes	Normal Mode On, Idle Mode On, Sleep Out	Yes	Partial Mode On, Idle Mode Off, Sleep Out	Yes	Partial Mode On, Idle Mode On, Sleep Out	Yes	Sleep In	Yes
Status	Availability																								
Normal Mode On, Idle Mode Off, Sleep Out	Yes																								
Normal Mode On, Idle Mode On, Sleep Out	Yes																								
Partial Mode On, Idle Mode Off, Sleep Out	Yes																								
Partial Mode On, Idle Mode On, Sleep Out	Yes																								
Sleep In	Yes																								
Default	<table border="1"> <thead> <tr> <th>Status</th> <th>Default Value</th> </tr> </thead> <tbody> <tr> <td>Power On Sequence</td> <td>KEY[15:0]=16'h0000</td> </tr> <tr> <td>SW Reset</td> <td>No change</td> </tr> <tr> <td>HW Reset</td> <td>KEY[15:0]=16'h0000</td> </tr> </tbody> </table>													Status	Default Value	Power On Sequence	KEY[15:0]=16'h0000	SW Reset	No change	HW Reset	KEY[15:0]=16'h0000				
Status	Default Value																								
Power On Sequence	KEY[15:0]=16'h0000																								
SW Reset	No change																								
HW Reset	KEY[15:0]=16'h0000																								

**8.2.72. 3-Gamma Function Control (EAh)**

EAH	3-gamma function control																																	
	D/CX	RDX	WRX	D17-8	D7	D6	D5	D4	D3	D2	D1	D0	HEX																					
Command	0	1	↑	--	1	1	1	0	1	0	1	0	EA																					
1 <sup>st</sup> Parameter	1	1	↑	--	3_GAM_EN	reserved							00																					
1 <sup>st</sup> Parameter	1	1	↑	--	GON	DTE	NW[5:0]					C0																						
Description	<p><b>3_GAM_EN:</b> This bit is used to control the digital 3-gamma function.</p> <table border="1"> <thead> <tr> <th>3_GAM_EN</th> <th>Description</th> </tr> </thead> <tbody> <tr> <td>0</td> <td>3 gamma function is disabled</td> </tr> <tr> <td>1</td> <td>3 gamma function is enabled</td> </tr> </tbody> </table> <p><b>NW[5:0]:</b> Set "n" for the number of lines for the VCOM inverting. n=(NW[5:0]+1);</p> <p><b>DTE, GON:</b> control the gate output level from G1 to G432 as follows.</p> <table border="1"> <thead> <tr> <th>GON</th> <th>DTE</th> <th>Gate Output Level</th> </tr> </thead> <tbody> <tr> <td>0</td> <td>0</td> <td>VGH</td> </tr> <tr> <td>0</td> <td>1</td> <td>VGH</td> </tr> <tr> <td>1</td> <td>0</td> <td>VGL</td> </tr> <tr> <td>1</td> <td>1</td> <td>VGH/VGL</td> </tr> </tbody> </table>													3_GAM_EN	Description	0	3 gamma function is disabled	1	3 gamma function is enabled	GON	DTE	Gate Output Level	0	0	VGH	0	1	VGH	1	0	VGL	1	1	VGH/VGL
	3_GAM_EN	Description																																
	0	3 gamma function is disabled																																
	1	3 gamma function is enabled																																
GON	DTE	Gate Output Level																																
0	0	VGH																																
0	1	VGH																																
1	0	VGL																																
1	1	VGH/VGL																																
Restriction																																		
Register Availability	<table border="1"> <thead> <tr> <th>Status</th> <th>Availability</th> </tr> </thead> <tbody> <tr> <td>Normal Mode On, Idle Mode Off, Sleep Out</td> <td>Yes</td> </tr> <tr> <td>Normal Mode On, Idle Mode On, Sleep Out</td> <td>Yes</td> </tr> <tr> <td>Partial Mode On, Idle Mode Off, Sleep Out</td> <td>Yes</td> </tr> <tr> <td>Partial Mode On, Idle Mode On, Sleep Out</td> <td>Yes</td> </tr> <tr> <td>Sleep In</td> <td>Yes</td> </tr> </tbody> </table>												Status	Availability	Normal Mode On, Idle Mode Off, Sleep Out	Yes	Normal Mode On, Idle Mode On, Sleep Out	Yes	Partial Mode On, Idle Mode Off, Sleep Out	Yes	Partial Mode On, Idle Mode On, Sleep Out	Yes	Sleep In	Yes										
	Status	Availability																																
	Normal Mode On, Idle Mode Off, Sleep Out	Yes																																
	Normal Mode On, Idle Mode On, Sleep Out	Yes																																
	Partial Mode On, Idle Mode Off, Sleep Out	Yes																																
Partial Mode On, Idle Mode On, Sleep Out	Yes																																	
Sleep In	Yes																																	
Default	<table border="1"> <thead> <tr> <th>Status</th> <th>Default Value</th> </tr> </thead> <tbody> <tr> <td>Power On Sequence</td> <td>3_GAM_EN=1'b0, DTE=1'b1, GON=1'b1</td> </tr> <tr> <td>SW Reset</td> <td>No change</td> </tr> <tr> <td>HW Reset</td> <td>3_GAM_EN=1'b0, DTE=1'b1, GON=1'b1</td> </tr> </tbody> </table>												Status	Default Value	Power On Sequence	3_GAM_EN=1'b0, DTE=1'b1, GON=1'b1	SW Reset	No change	HW Reset	3_GAM_EN=1'b0, DTE=1'b1, GON=1'b1														
	Status	Default Value																																
	Power On Sequence	3_GAM_EN=1'b0, DTE=1'b1, GON=1'b1																																
	SW Reset	No change																																
HW Reset	3_GAM_EN=1'b0, DTE=1'b1, GON=1'b1																																	

**8.2.73. Device Code Read (EFh)**

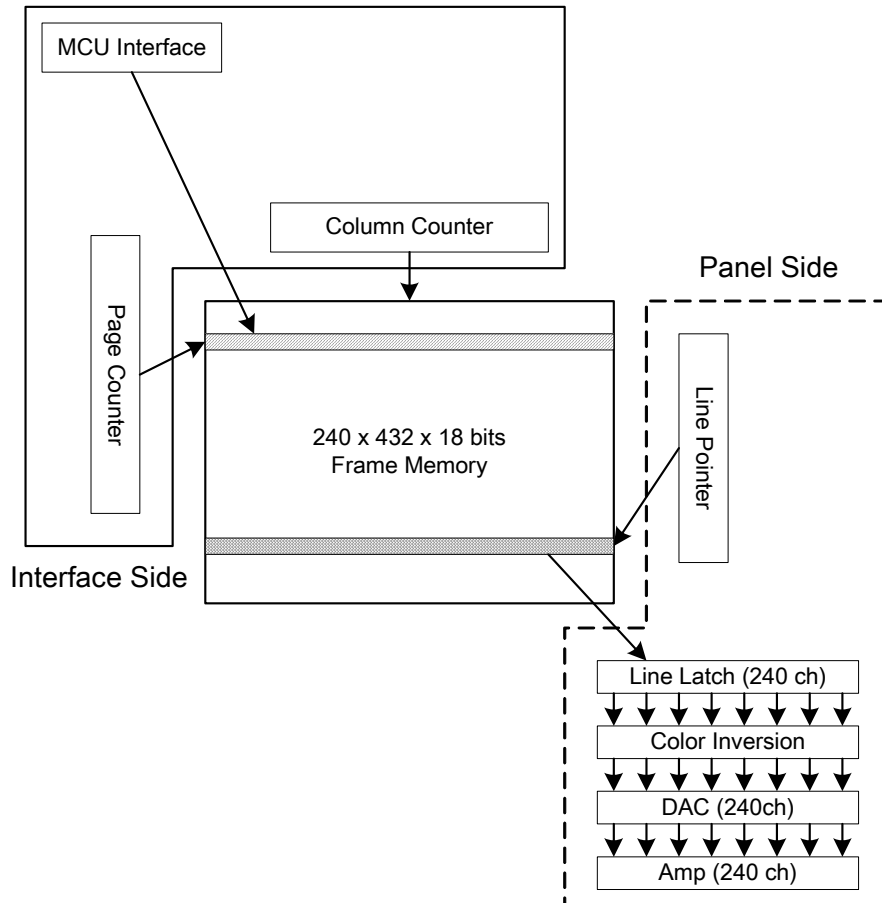
BFH	Device Code Read																								
	D/CX	RDX	WRX	D17-8	D7	D6	D5	D4	D3	D2	D1	D0	HEX												
Command	0	1	↑	xx	1	1	1	0	1	1	1	1	EF												
1 <sup>st</sup> parameter	1	↑	1	x	x	x	x	x	x	x	x	x	x												
2 <sup>nd</sup> parameter	1	↑	1	xx	0	0	0	0	0	0	1	0	02												
3 <sup>rd</sup> parameter	1	↑	1	xx	0	0	0	0	0	1	0	0	04												
4 <sup>th</sup> parameter	1	↑	1	xx	1	0	0	1	0	1	0	0	93												
5 <sup>th</sup> parameter	1	↑	1	xx	1	0	0	0	0	0	0	1	27												
6 <sup>th</sup> parameter	1	↑	1	xx	1	1	1	1	1	1	1	1	FF												
Description	1 <sup>st</sup> parameter : dummy read 2 <sup>nd</sup> parameter : MIPI Alliance code 3 <sup>rd</sup> parameter : MIPI Alliance code 4 <sup>th</sup> parameter : Device ID code of ILI9327 5 <sup>th</sup> parameter : Device ID code of ILI9327 6 <sup>th</sup> parameter : Exit code (FFh)																								
Register Availability	<table border="1"> <thead> <tr> <th>Status</th> <th>Availability</th> </tr> </thead> <tbody> <tr> <td>Normal Mode On, Idle Mode Off, Sleep Out</td> <td>Yes</td> </tr> <tr> <td>Normal Mode On, Idle Mode On, Sleep Out</td> <td>Yes</td> </tr> <tr> <td>Partial Mode On, Idle Mode Off, Sleep Out</td> <td>Yes</td> </tr> <tr> <td>Partial Mode On, Idle Mode On, Sleep Out</td> <td>Yes</td> </tr> <tr> <td>Sleep In</td> <td>Yes</td> </tr> </tbody> </table>													Status	Availability	Normal Mode On, Idle Mode Off, Sleep Out	Yes	Normal Mode On, Idle Mode On, Sleep Out	Yes	Partial Mode On, Idle Mode Off, Sleep Out	Yes	Partial Mode On, Idle Mode On, Sleep Out	Yes	Sleep In	Yes
Status	Availability																								
Normal Mode On, Idle Mode Off, Sleep Out	Yes																								
Normal Mode On, Idle Mode On, Sleep Out	Yes																								
Partial Mode On, Idle Mode Off, Sleep Out	Yes																								
Partial Mode On, Idle Mode On, Sleep Out	Yes																								
Sleep In	Yes																								

## 9. Display Data RAM

### 9.1. Configuration

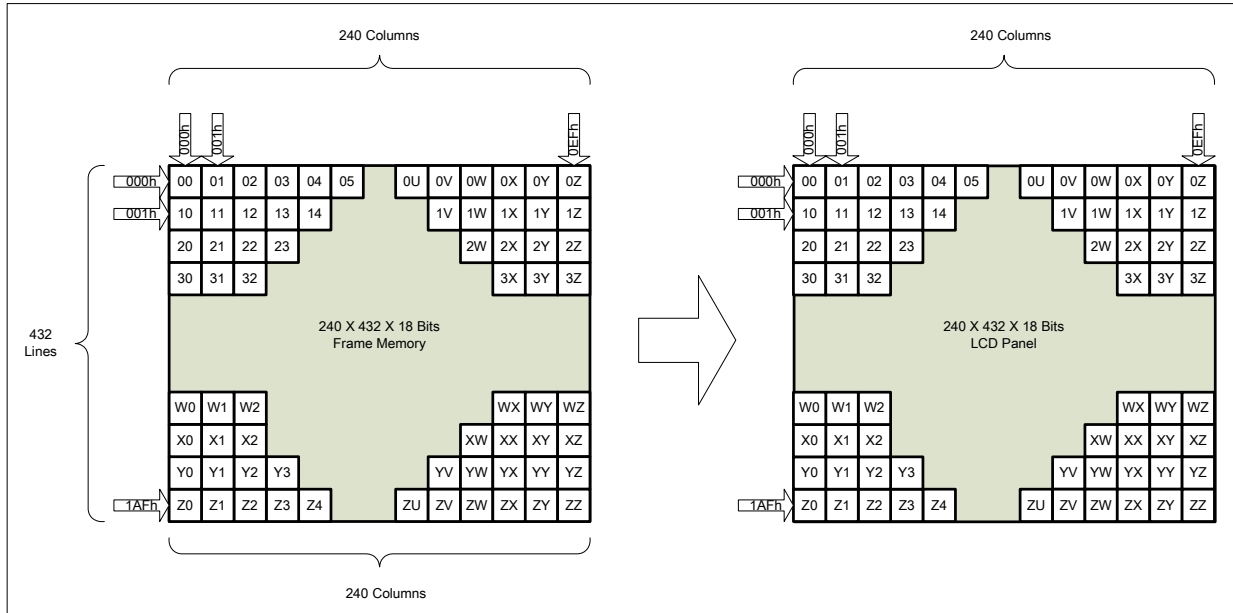
The display data RAM stores display dots and consists of 1,866,240bits (240 x 18 x 432 bits). There is no restriction on access to the RAM even when the display data on the same address is loaded to DAC.

There will be no abnormal visible effect on the display when there is a simultaneous Panel Read and Interface Read or Write to the same location of the frame memory.



## 9.2. Memory to Display Address Mapping

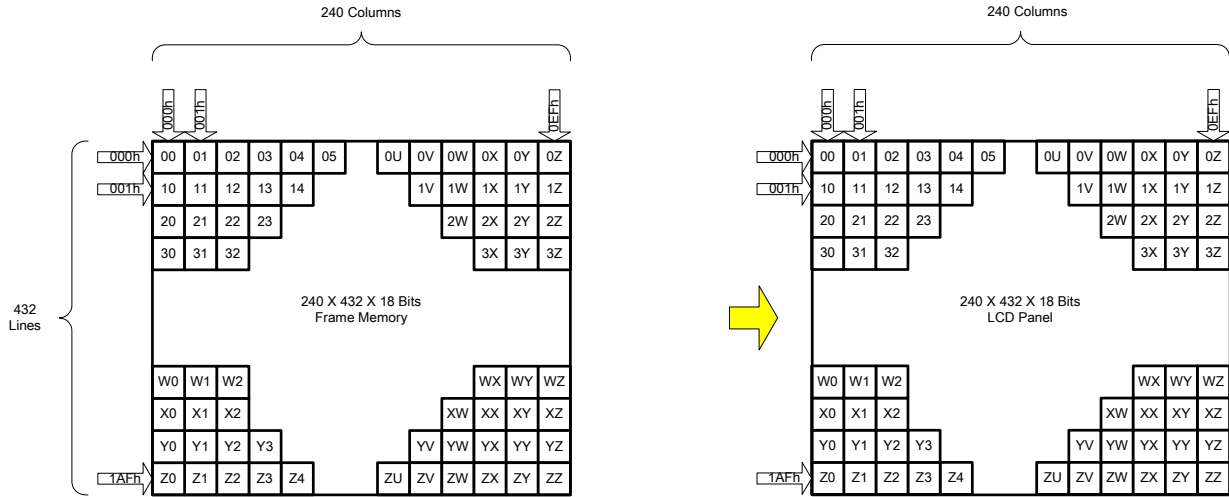
In this mode, content of the frame memory within an area where column pointer is 0000h to 013Fh and page pointer 0000h to 01DFh is displayed. To display a dot on leftmost top corner, store the dot data at (column pointer, page pointer) = (0, 0).



### 9.3. Vertical Scroll Mode

There is a vertical scrolling mode, which is described by the commands “set\_scroll\_area”(33h) and “set\_scroll\_start”(37h).

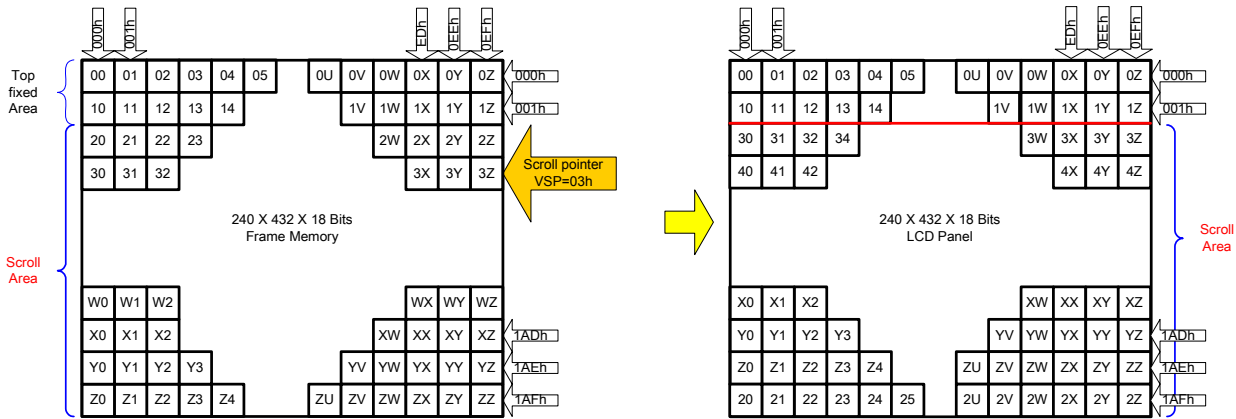
(1) Normal Display On or Partial Mode On, Vertical Scroll Off



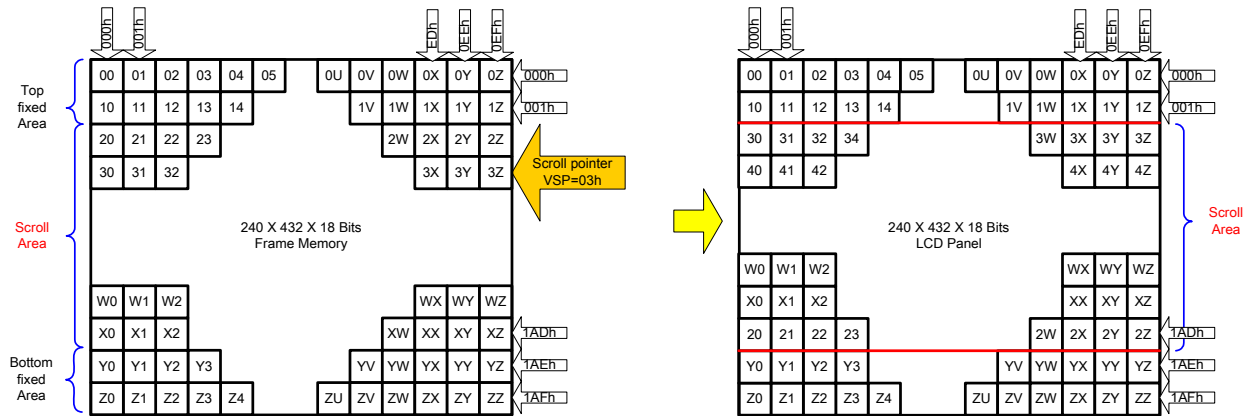
(2) Vertical Scroll Mode

“set\_scroll\_area(33h)” and “set\_scroll\_start(37h)” setting define the scroll area.

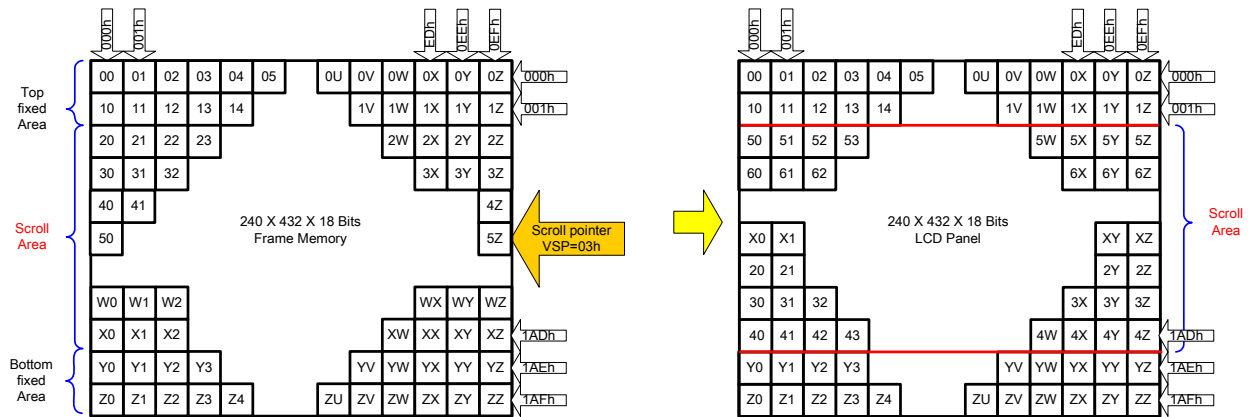
Example1: TFA=2, VSA=430, BFA=0 (set\_address\_mode(36h) B4=0), VSP=3



Example2: TFA=2,VSA=428,BFA=2 (set\_address\_mode(36h) B4=0), VSP=3



Example3: TFA=2,VSA=428,BFA=2 (set\_address\_mode(36h) B4=0), VSP=5





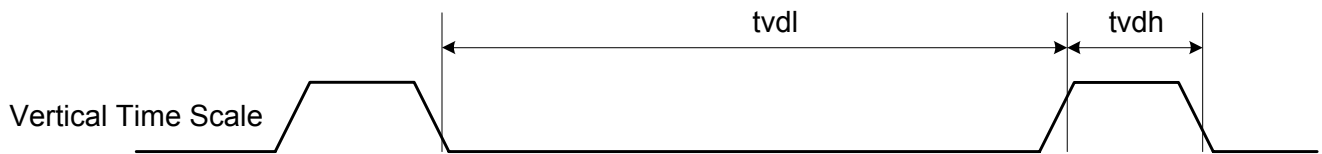
## 10. Tearing Effect Output

The tearing effect output line supplies to the MCU a Panel synchronization signal. This signal can be enabled or disabled by the `set_tear_off` (34h) and `set_tear_on` (35h) commands. The mode of the tearing effect signal is defined by the parameter of the `set_tear_on` (35h) and `set_tear_scanline` (44h) commands.

The signal can be used by the MCU to synchronize Frame Memory Writing when displaying video images.

### 10.1. Tearing Effect Line Modes

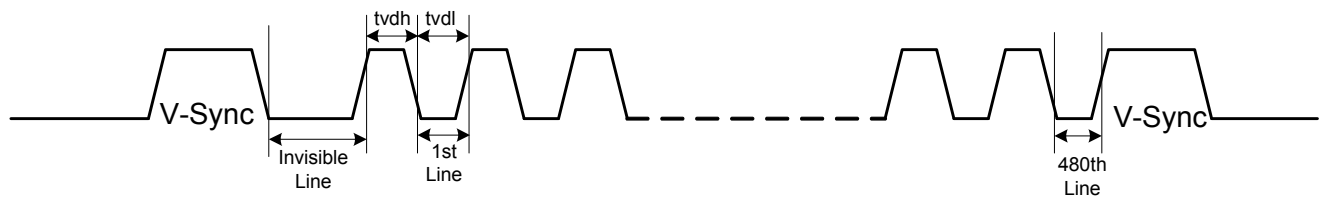
**Mode 1** (`set_tear_on`, `TELOM=0`), the Tearing Effect Output signal consists of V-Sync information only:



tvdh = The LCD display is not updated from the Frame Memory.

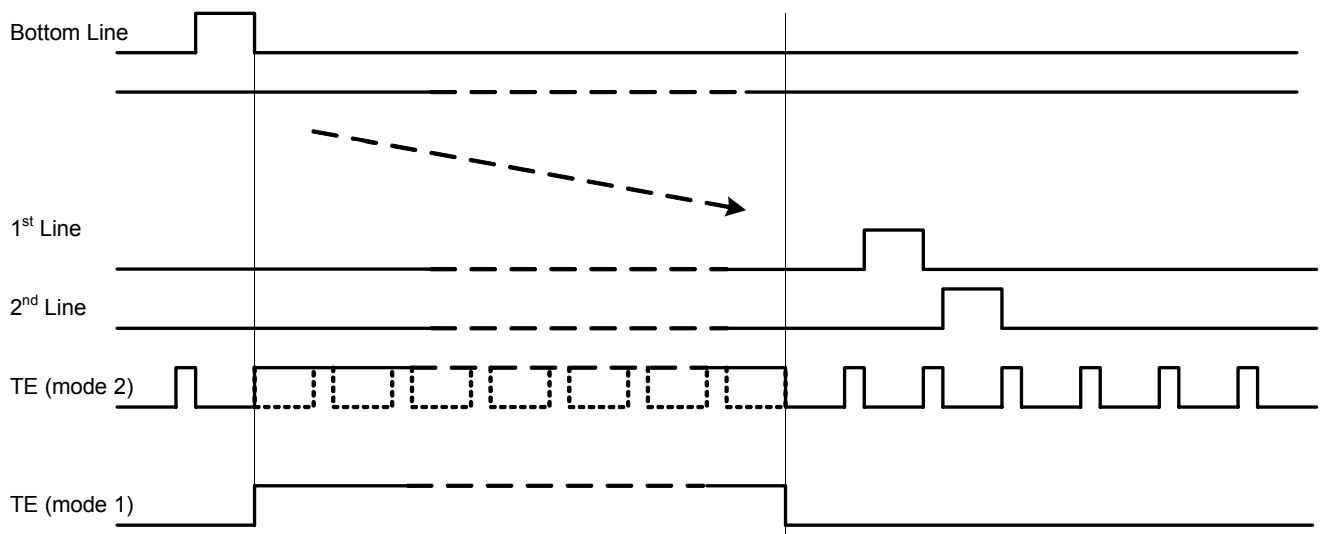
tvdl = The LCD display is updated from the Frame Memory (except Invisible Line – see below).

**Mode 2** (`set_tear_on`, `TELOM=1`), the tearing effect output signal consists of V-Sync and H-Sync information; there is one V-sync and 432 H-sync pulses per field:



thdh = The LCD display is not updated from the Frame Memory.

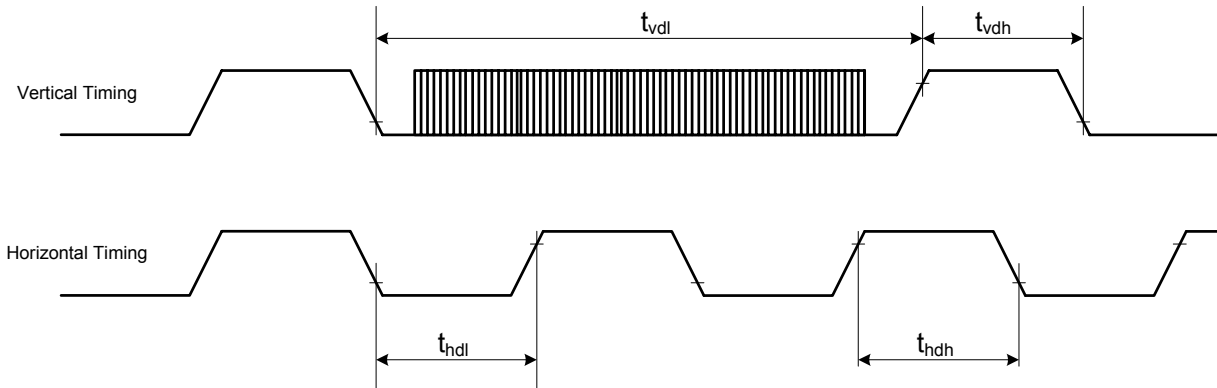
thdl = The LCD display is updated from the Frame Memory (except Invisible Line – see above).



Note: During Sleep In Mode, the Tearing Effect Output Pin is active Low.

## 10.2. Tearing Effect Line Timings

The tearing effect signal is described below:

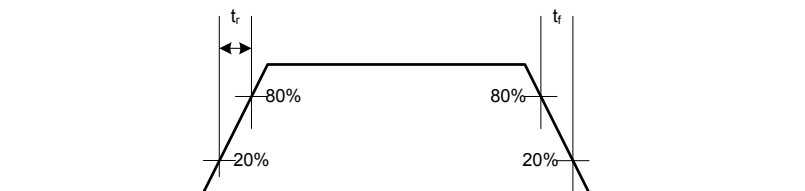


AC characteristics of Tearing Effect Signal (Frame Rate = 60.5Hz)

Symbol	Parameter	Min.	Max.	Unit	Description
$t_{vdl}$	Vertical timing low duration	TBD		ms	
$t_{vdh}$	Vertical timing high duration	TBD		us	
$t_{hdl}$	Horizontal timing low duration	TBD		us	
$t_{hdh}$	Horizontal timing high duration	TBD		us	

Notes:

1. The timings in Table 8.3.1 apply when MADCTL B4=0 and B4=1
2. The signal's rise and fall times ( $t_f$ ,  $t_r$ ) are stipulated to be equal to or less than 15ns.



The Tearing Effect Output Line is fed back to the MCU and should be used as shown below to avoid Tearing Effect:

The Tearing Effect output line supplies to the MCU a Panel synchronization signal. This signal can be enabled or disabled by the set\_tear\_off(34h), set\_tear\_on(35h) commands. The mode of the Tearing Effect Signal is defined by the Parameter of the Tearing Effect Line On command. The signal can be used by the MCU to synchronize Frame Memory Writing when displaying video images.

TEON (35h)	TELOM (35h, 1 <sup>st</sup> bit)	TE signal Output
0	*	GND
1	0	TE (Mode 1)
1	1	TE (Mode 2)

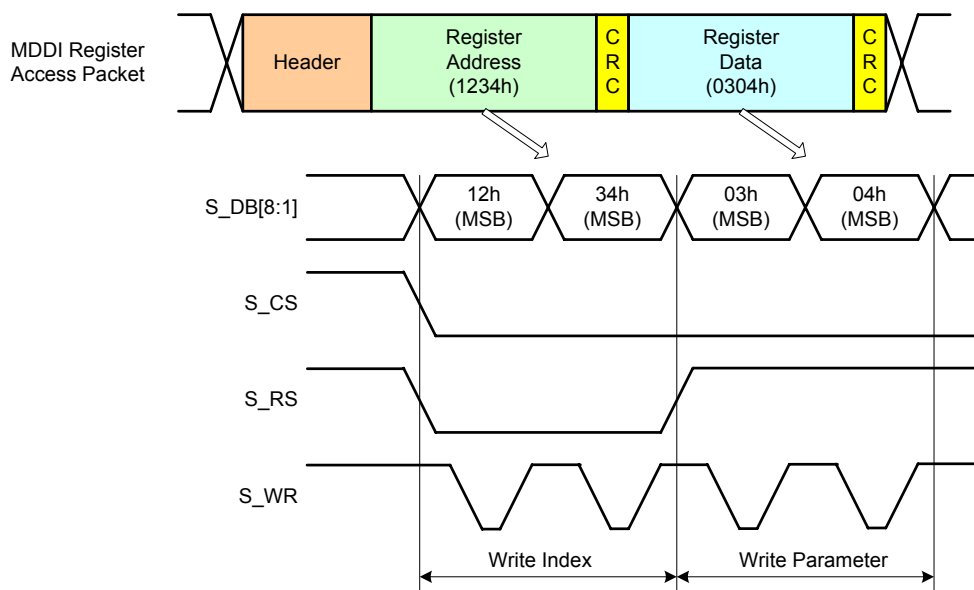
## 11. Sub-panel Control

### TFT type sub panel timing

#### A. Register data transfer timing

If TFT type sub panel is selected (STN\_EN=0), register setting is executed like below figure. Register data is transferred through S\_DB[8:0] in 9/8 bit type. Please refer to the MDDI section for the register address direction to sub panel.

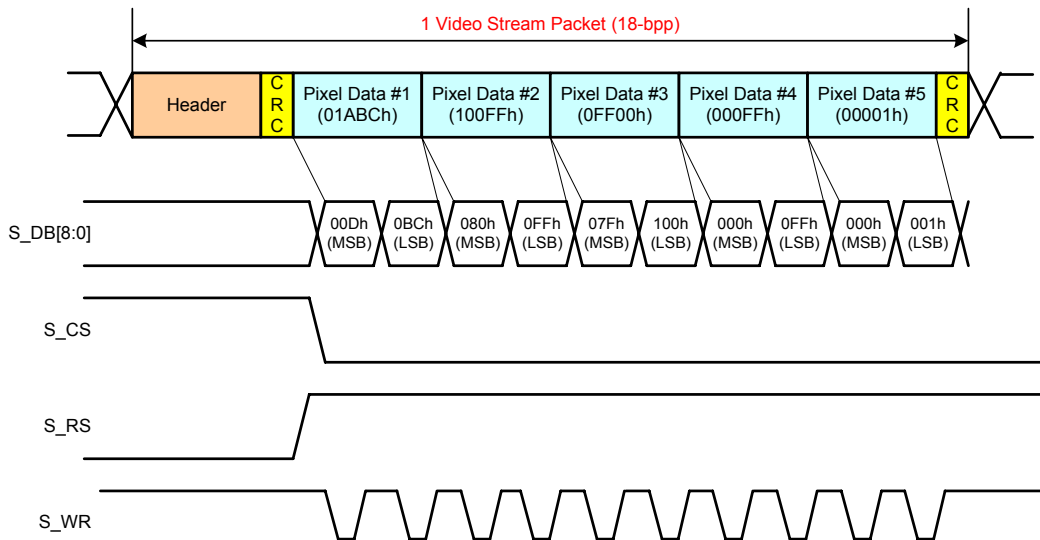
In this mode, data is transferred at two times. First transfer is MSB 8bit and second transfer is LSB 8bit.



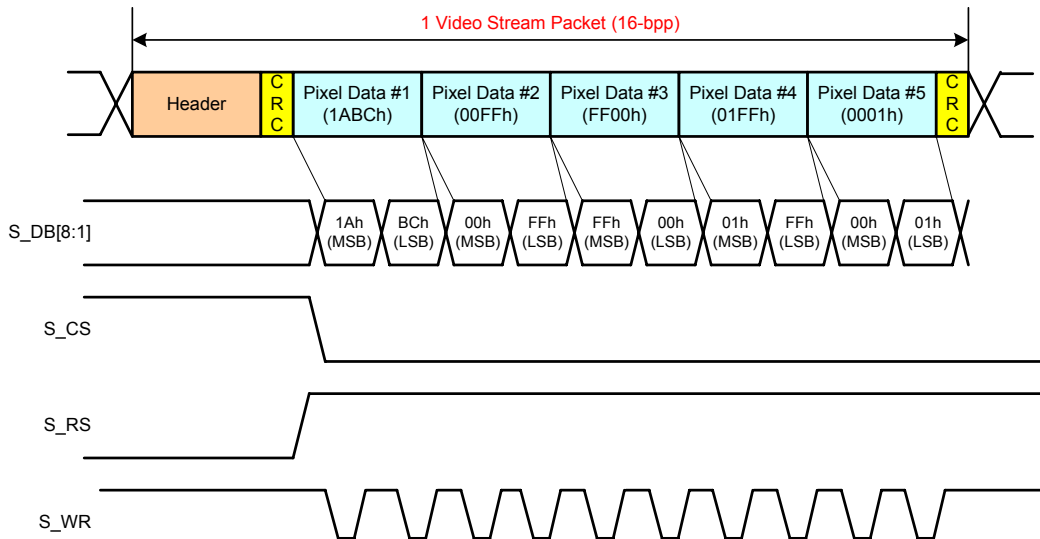
**B. Video data transfer timing**

In TFT type sub panel, the 9/8-bit mode is selected as setting SUB\_IM register.

**This figure shows 9-bit sub-panel data bus with 18-bpp video data transfer.**



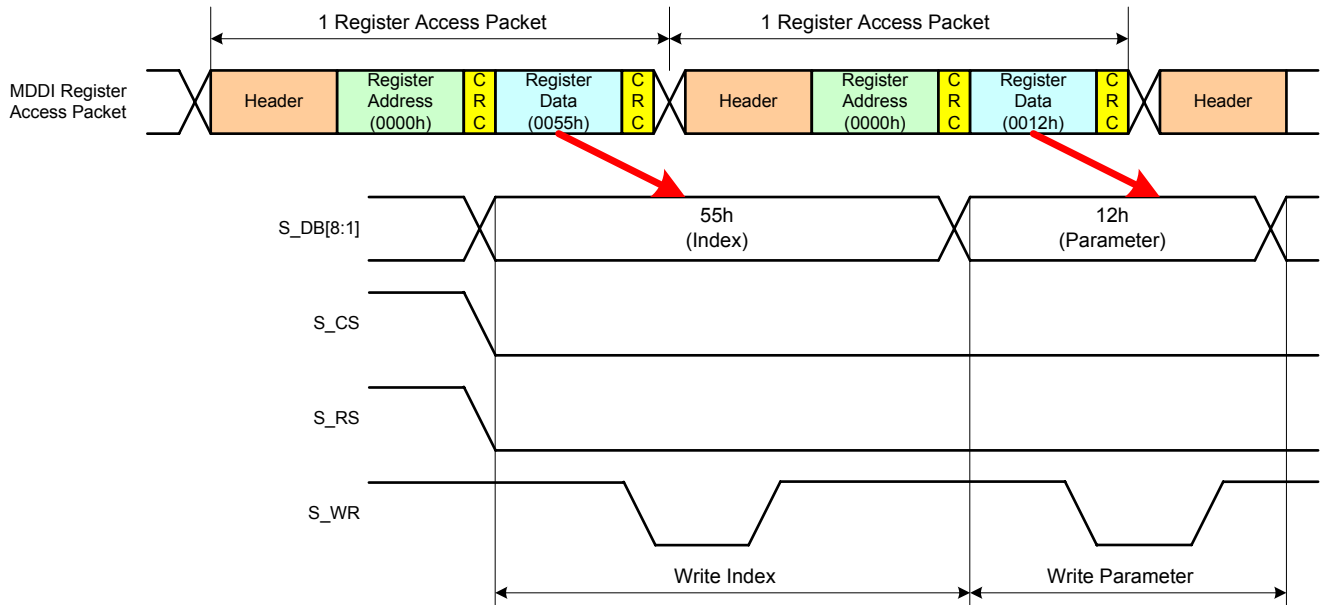
**This figure shows 8-bit sub-panel data bus with 16-bpp video data transfer.**



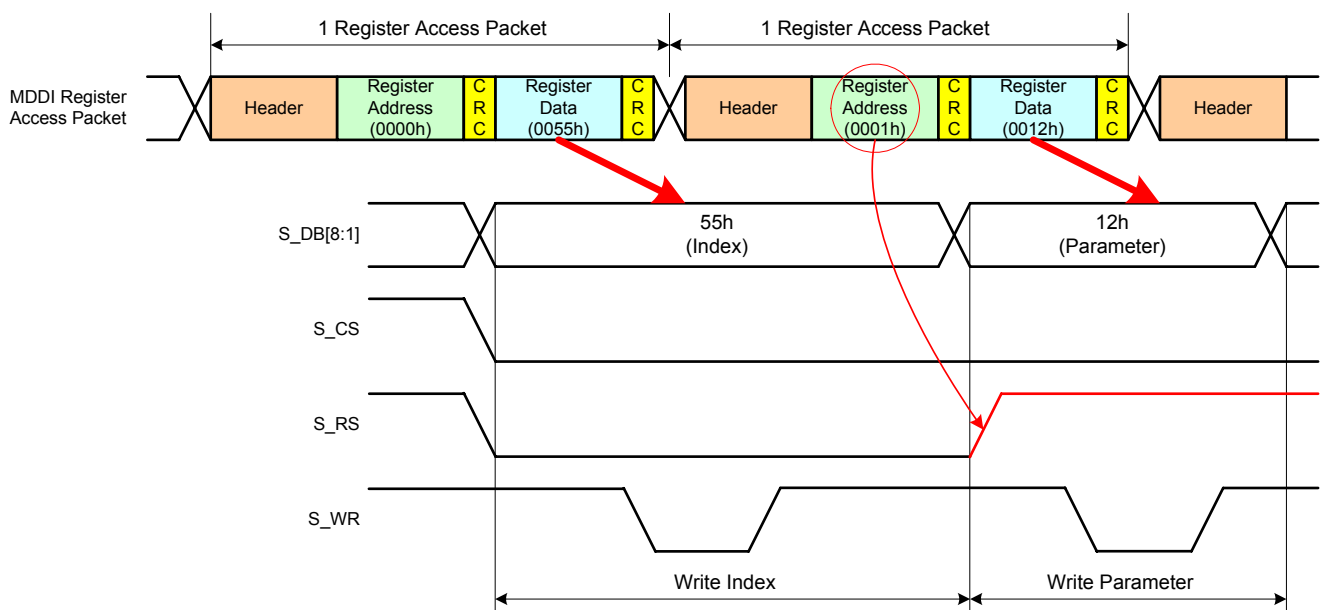
**STN type sub panel timing**

**A. Register data transfer timing**

This figure shows conventional type STN mode register data setting. Conventional type does not include parameter. Instruction type is only 8bit. To use STN type, STN\_EN is set to "1". In STN type, ILI9327 controls S\_RS pin using register address[0] in register access packet. Register address[0] is "0", then S\_RS is set to "0", and register address[0] is "1", S\_RS is set to "1".



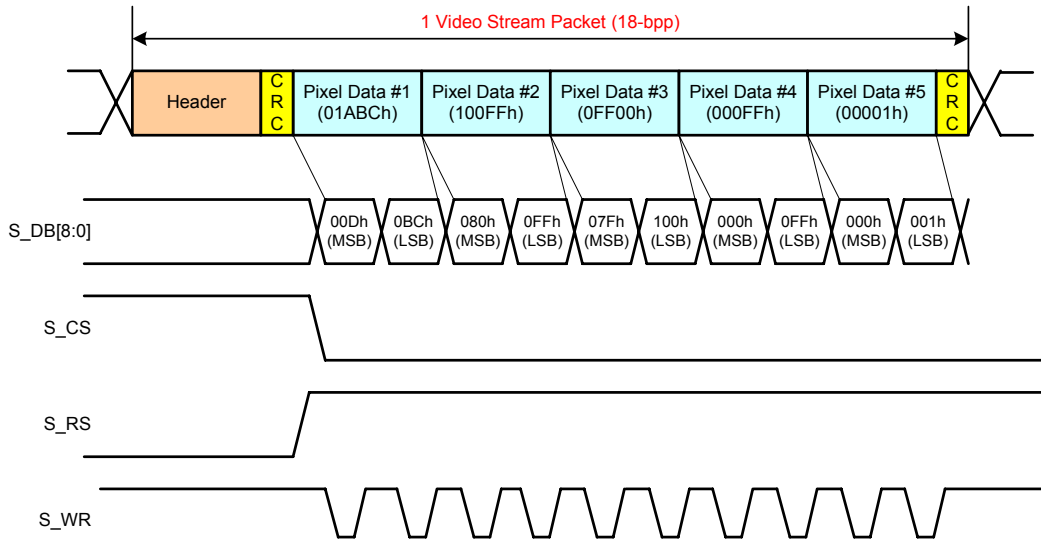
This type is used to include parameter. When instruction is transferred, S\_RS is zero, and when parameter is transferred, S\_RS is "1". S\_RS is controlled using register address[0] of register access packet.



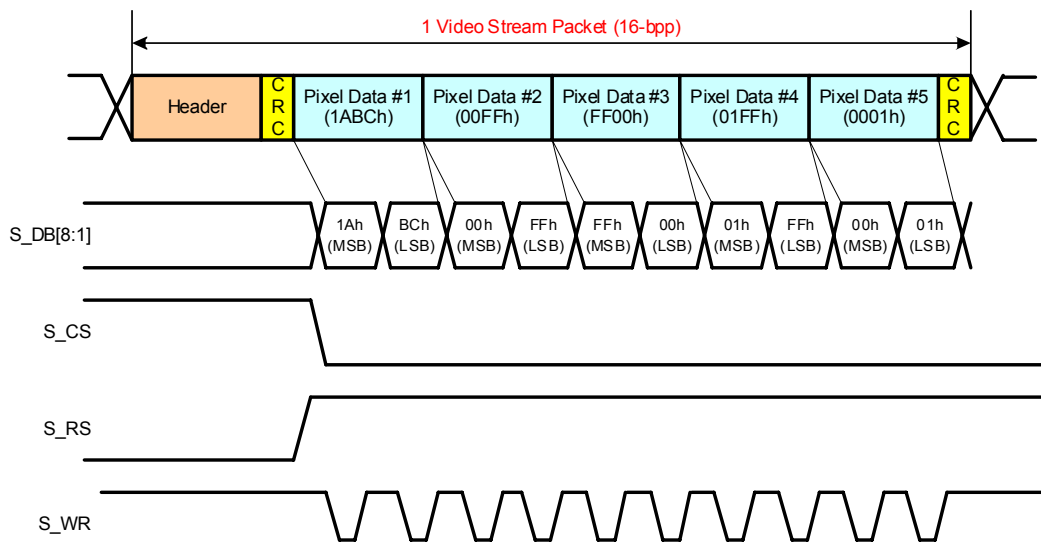
**B. Video data transfer timing**

In STN mode, video data start register (like 22H in TFT mode) generally is not necessary. But some STN type needs video data start register. If that type STN DDI is used, user has to set the register index.

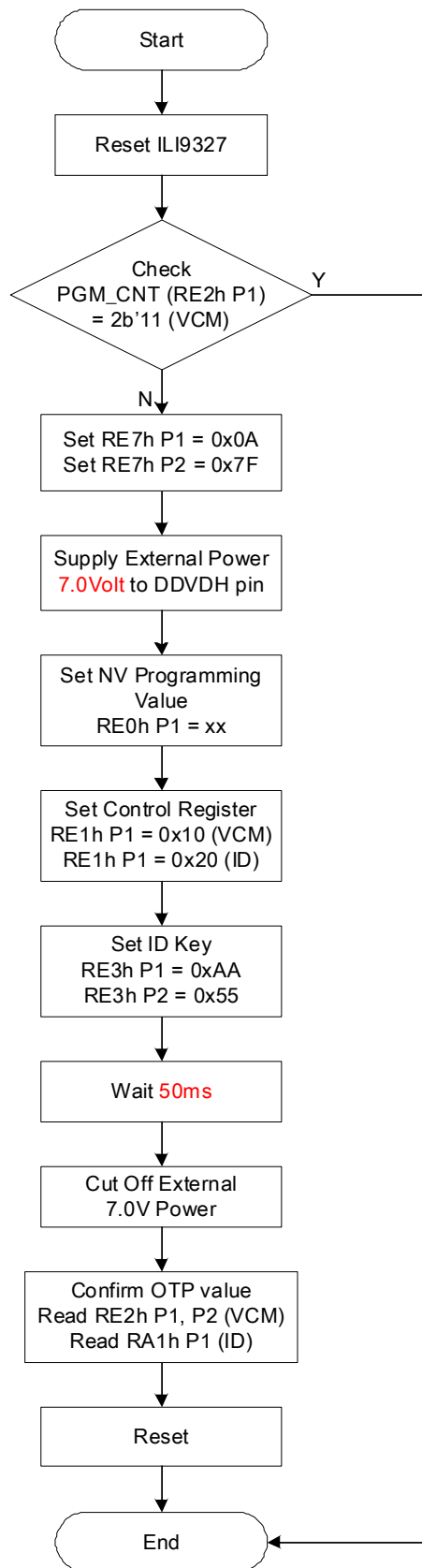
This figure shows STN 9 bit mode video data transfer.



This figure shows STN 8bit mode video data transfer. If STN video data is 16bit mode, data transfer is executed during 2 times. First transfer is MSB 8bits, and second is LSB 8bits.



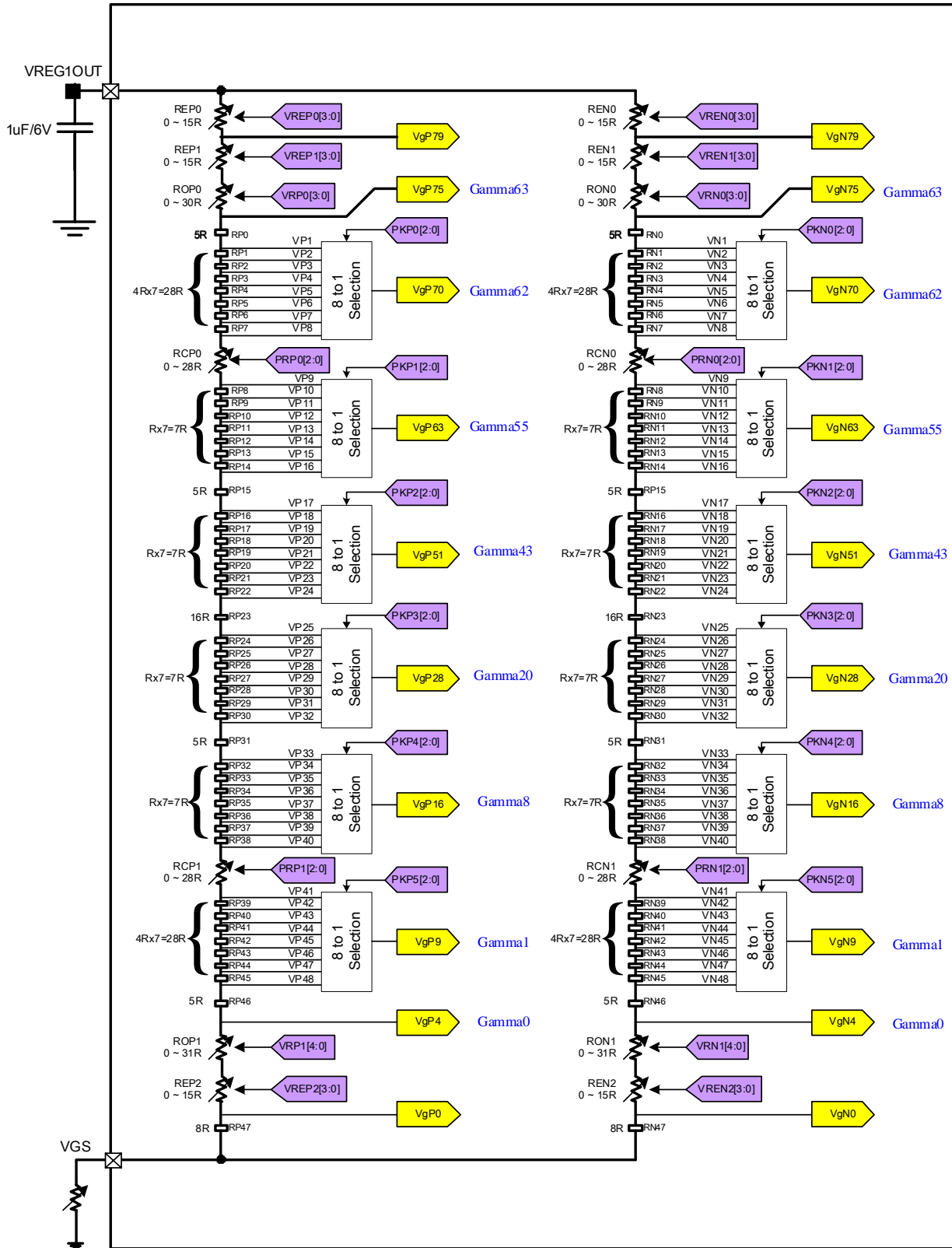
## 12. NV Memory Programming Flow



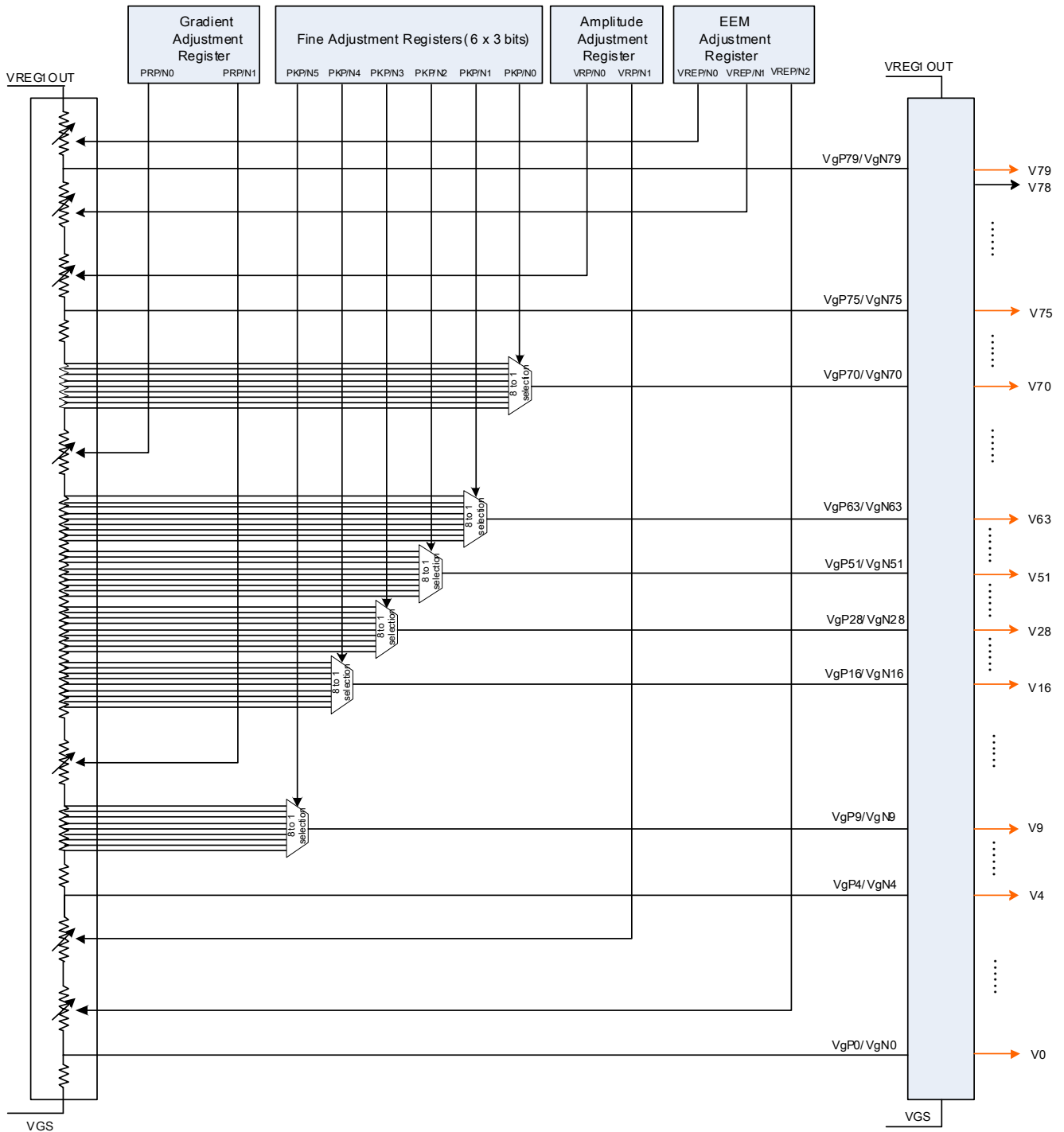
## 13. Gamma Correction

ILI9327 incorporates the  $\gamma$ -correction function to display 262,144 colors for the LCD panel. The  $\gamma$ -correction is performed with 3 groups of registers determining eight reference grayscale levels, which are gradient adjustment, amplitude adjustment and fine-adjustment registers for positive and negative polarities, to make ILI9327 available with liquid crystal panels of various characteristics.





**Figure 1 Grayscale Voltage Adjustment**



### 1. Gradient adjustment registers

The gradient adjustment registers are used to adjust the gradient of the curve representing the relationship between the grayscale and the grayscale reference voltage level. To adjust the gradient, the resistance values of variable resistors in the middle of the ladder resistor are adjusted by registers PRP0[2:0]/PRN0[2:0], PRP1[2:0]/PRN1[2:0]. The registers consist of positive and negative polarity registers, allowing asymmetric drive.

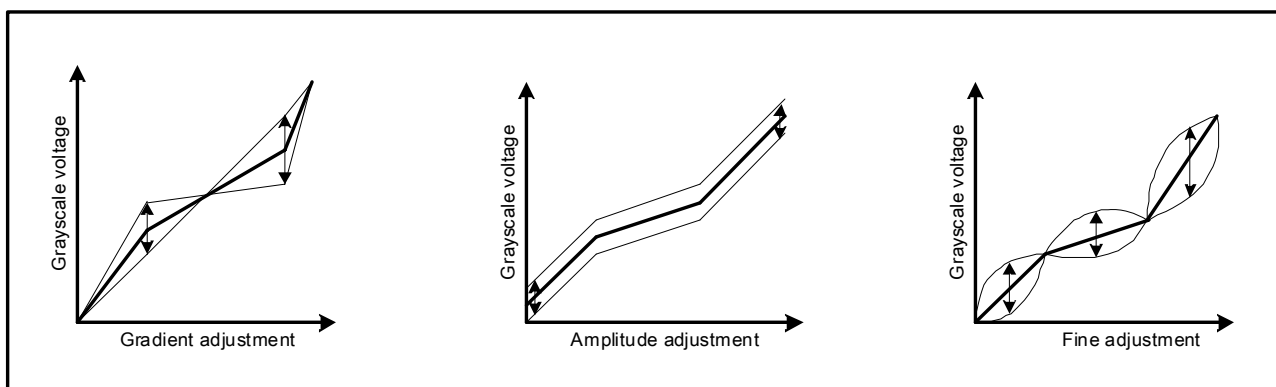
### 2. Amplitude adjustment registers

The amplitude adjustment registers, VRP0[3:0]/VRN0[3:0], VRP1[4:0]/VRN1[4:0], are used to adjust the

amplitude of grayscale voltages. To adjust the amplitude, the resistance values of variable resistors at the top and bottom of the ladder resistor are adjusted. Same as the gradient registers, the amplitude adjustment registers consist of positive and negative polarity registers.

### 3. Fine adjustment registers

The fine adjustment registers are used to fine-adjust grayscale voltage levels. To fine-adjust grayscale voltage levels, fine adjustment registers adjust the reference voltage levels, 8 levels for each register generated from the ladder resistor, in respective 8-to-1 selectors. Same with other registers, the fine adjustment registers consist of positive and negative polarity registers.



**Figure 2 Gamma Curve Adjustment**

Register Groups	Positive Polarity	Negative Polarity	Description
Gradient adjustment	PRP0 [2:0]	PRN0 [2:0]	Variable resistor VRCP0, VRCN0
	PRP1 [2:0]	PRN1 [2:0]	Variable resistor VRCP1, VRCN1
Amplitude adjustment	VRP0 [3:0]	VRN0 [3:0]	Variable resistor VROP0, VRON0
	VRP1 [4:0]	VRN1 [4:0]	Variable resistor VROP1, VRON1
Fine adjustment	KP0 [2:0]	KN0 [2:0]	8-to-1 selector (voltage level of grayscale 1)
	KP1 [2:0]	KN1 [2:0]	8-to-1 selector (voltage level of grayscale 8)
	KP2 [2:0]	KN2 [2:0]	8-to-1 selector (voltage level of grayscale 20)
	KP3 [2:0]	KN3 [2:0]	8-to-1 selector (voltage level of grayscale 43)
	KP4 [2:0]	KN4 [2:0]	8-to-1 selector (voltage level of grayscale 55)
	KP5 [2:0]	KN5 [2:0]	8-to-1 selector (voltage level of grayscale 62)

### Ladder resistors and 8-to-1 selector Block configuration

The reference voltage generating block consists of two ladder resistor units including variable resistors and 8-to-1 selectors. Each 8-to-1 selector selects one of the 8 voltage levels generated from the ladder resistor unit to output as a grayscale reference voltage. Both variable resistors and 8-to-1 selectors are controlled according to the  $\gamma$ -correction registers. This unit has pins to connect a volume resistor externally to compensate differences in various characteristics of panels.

### Variable resistors

ILI9327 uses variable resistors of the following three purposes: gradient adjustment (VRCP(N)0/VRCP(N)1); amplitude adjustment (1) (VROP(N)0); and the amplitude adjustment (2) (VROP(N)1). The resistance values of

these variable resistors are set by gradient adjustment registers and amplitude adjustment registers as follows.

Gradient adjustment	
PRP(N)0/1[2:0] Register	VRCP(N)0/1 Resistance
000	0R
001	4R
010	8R
011	12R
100	16R
101	20R
110	24R
111	28R

Amplitude adjustment (1)	
VRP(N)0[3:0] Register	VROP(N)0 Resistance
0000	0R
0001	2R
0010	4R
:	:
:	:
1101	26R
1111	28R
1111	30R

Amplitude adjustment (2)	
VRP(N)1[4:0] Register	VROP(N)1 Resistance
00000	0R
00001	1R
00010	2R
:	:
:	:
11101	29R
11110	30R
11111	31R

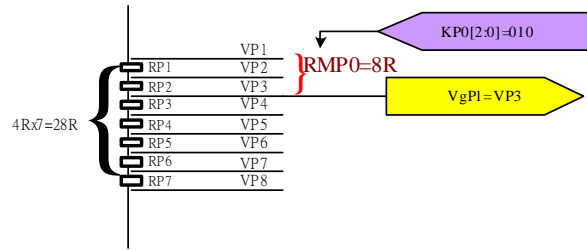
### 8-to-1 selectors

The 8-to-1 selector selects one of eight voltage levels generated from the ladder resistor unit according to the fine adjustment register and output the selected voltage level as a reference grayscale voltage (VgP(N)1~6).

The table below shows the setting in the fine adjustment register and the selected voltage levels for respective reference grayscale voltages.

Fine adjustment registers and selected voltage						
Register	Selected Voltage					
KP(N)[2:0]	VgP(N)1	VgP(N)8	VgP(N)20	VgP(N)43	VgP(N)55	VgP(N)62
000	VP(N)1	VP(N)9	VP(N)17	VP(N)25	VP(N)33	VP(N)41
001	VP(N)2	VP(N)10	VP(N)18	VP(N)26	VP(N)34	VP(N)42
010	VP(N)3	VP(N)11	VP(N)19	VP(N)27	VP(N)35	VP(N)43
011	VP(N)4	VP(N)12	VP(N)20	VP(N)28	VP(N)36	VP(N)44
100	VP(N)5	VP(N)13	VP(N)21	VP(N)29	VP(N)37	VP(N)45
101	VP(N)6	VP(N)14	VP(N)22	VP(N)30	VP(N)38	VP(N)46
110	VP(N)7	VP(N)15	VP(N)23	VP(N)31	VP(N)39	VP(N)47
111	VP(N)8	VP(N)16	VP(N)24	VP(N)32	VP(N)40	VP(N)48

Fine adjustment registers and selected resistor						
Register	Selected Resistor					
KP(N)[2:0]	RMP(N)0	RMP(N)1	RMP(N)2	RMP(N)3	RMP(N)4	RMP(N)5
000	0R	0R	0R	0R	0R	0R
001	4R	1R	1R	1R	1R	4R
010	8R	2R	2R	2R	2R	8R
011	12R	3R	3R	3R	3R	12R
100	16R	4R	4R	4R	4R	16R
101	20R	5R	5R	5R	5R	20R
110	24R	6R	6R	6R	6R	24R
111	28R	7R	7R	7R	7R	28R



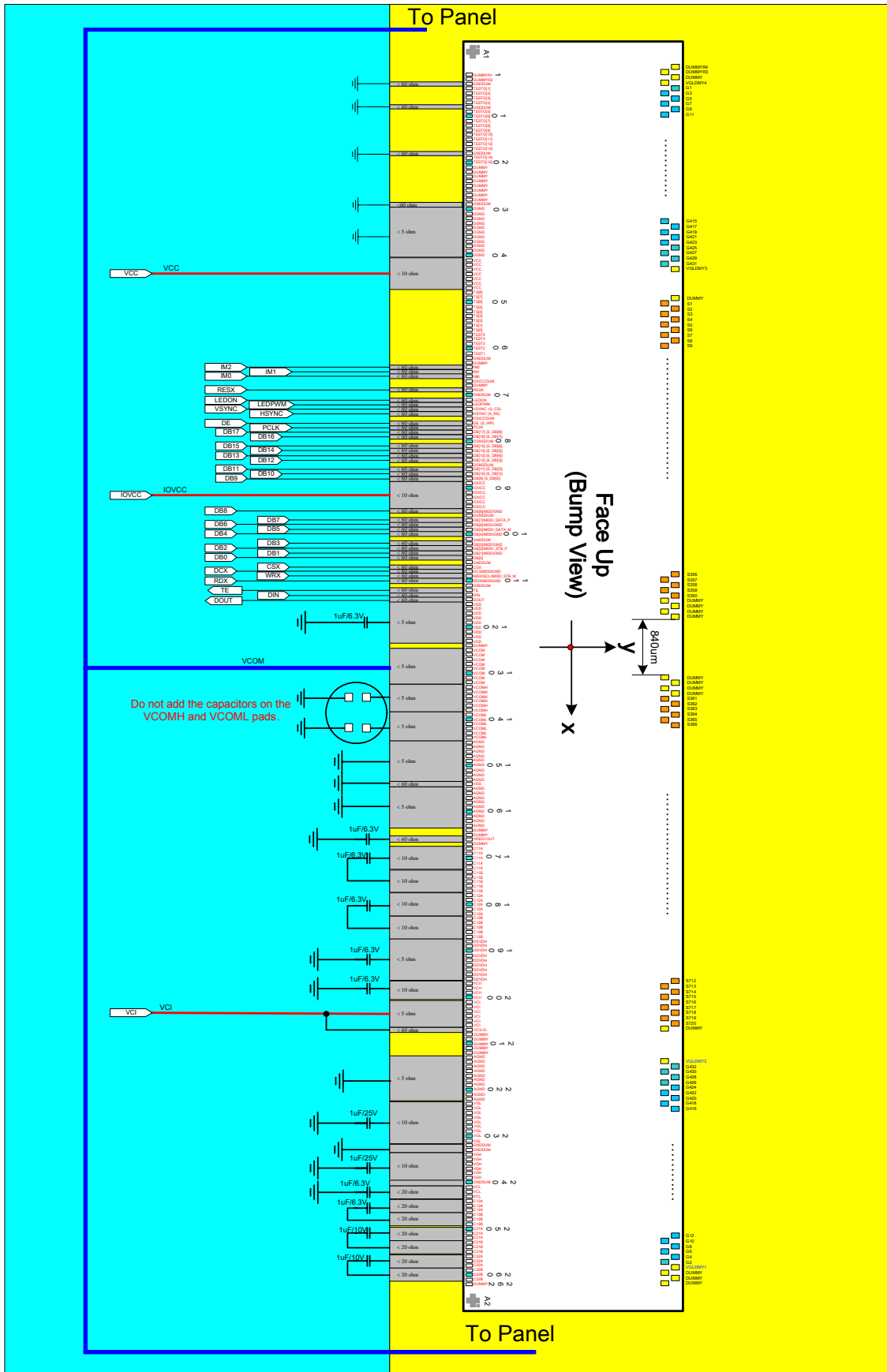
**Figure 3 Example of RMP(N)0~5 definition**

Code	Positive polarity output voltage		Negative polarity output voltage	
4Fh	VP79	(VgP79)	VN79	(VgN79)
4Eh	VP78	(VP75+(VP79-VP75)*(48/64))	VN78	(VN75+(VN79-VN75)*(48/64))
4Dh	VP77	(VP75+(VP79-VP75)*(32/64))	VN77	(VN75+(VN79-VN75)*(32/64))
4Ch	VP76	(VP75+(VP79-VP75)*(16/64))	VN76	(VN75+(VN79-VN75)*(16/64))
4Bh	VP75	(VgP75)	VN75	(VgN75)
4Ah	VP74	(VP70+(VP75-VP70)*(36/45))	VN74	(VN70+(VN75-VN70)*(36/45))
49h	VP73	(VP70+(VP75-VP70)*(27/45))	VN73	(VN70+(VN75-VN70)*(27/45))
48h	VP72	(VP70+(VP75-VP70)*(18/45))	VN72	(VN70+(VN75-VN70)*(18/45))
47h	VP71	(VP70+(VP75-VP70)*(9/45))	VN71	(VN70+(VN75-VN70)*(9/45))
46h	VP70	(VgP70)	VN70	(VgN70)
45h	VP69	(VP63+(VP70-VP63)*(30/48))	VN69	(VN63+(VN70-VN63)*(30/48))
44h	VP68	(VP63+(VP70-VP63)*(23/48))	VN68	(VN63+(VN70-VN63)*(23/48))
43h	VP67	(VP63+(VP70-VP63)*(16/48))	VN67	(VN63+(VN70-VN63)*(16/48))
42h	VP66	(VP63+(VP70-VP63)*(12/48))	VN66	(VN63+(VN70-VN63)*(12/48))
41h	VP65	(VP63+(VP70-VP63)*(8/48))	VN65	(VN63+(VN70-VN63)*(8/48))
40h	VP64	(VP63+(VP70-VP63)*(4/48))	VN64	(VN63+(VN70-VN63)*(4/48))
3Fh	VP63	(VgP63)	VN63	(VgN63)
3Eh	VP62	(VP51+(VP63-VP51)*(22/24))	VN62	(VN51+(VN63-VN51)*(22/24))
3Dh	VP61	(VP51+(VP63-VP51)*(20/24))	VN61	(VN51+(VN63-VN51)*(20/24))
3Ch	VP60	(VP51+(VP63-VP51)*(18/24))	VN60	(VN51+(VN63-VN51)*(18/24))
3Bh	VP59	(VP51+(VP63-VP51)*(16/24))	VN59	(VN51+(VN63-VN51)*(16/24))
3Ah	VP58	(VP51+(VP63-VP51)*(14/24))	VN58	(VN51+(VN63-VN51)*(14/24))
39h	VP57	(VP51+(VP63-VP51)*(12/24))	VN57	(VN51+(VN63-VN51)*(12/24))
38h	VP56	(VP51+(VP63-VP51)*(10/24))	VN56	(VN51+(VN63-VN51)*(10/24))
37h	VP55	(VP51+(VP63-VP51)*(8/24))	VN55	(VN51+(VN63-VN51)*(8/24))
36h	VP54	(VP51+(VP63-VP51)*(6/24))	VN54	(VN51+(VN63-VN51)*(6/24))
35h	VP53	(VP51+(VP63-VP51)*(4/24))	VN53	(VN51+(VN63-VN51)*(4/24))
34h	VP52	(VP51+(VP63-VP51)*(2/24))	VN52	(VN51+(VN63-VN51)*(2/24))
33h	VP51	(VgP51)	VN51	(VgN51)
32h	VP50	(VP28+(VP51-VP28)*(22/23))	VN50	(VN28+(VN51-VN28)*(22/23))
31h	VP49	(VP28+(VP51-VP28)*(21/23))	VN49	(VN28+(VN51-VN28)*(21/23))
30h	VP48	(VP28+(VP51-VP28)*(20/23))	VN48	(VN28+(VN51-VN28)*(20/23))
2Fh	VP47	(VP28+(VP51-VP28)*(19/23))	VN47	(VN28+(VN51-VN28)*(19/23))
2Eh	VP46	(VP28+(VP51-VP28)*(18/23))	VN46	(VN28+(VN51-VN28)*(18/23))
2Dh	VP45	(VP28+(VP51-VP28)*(17/23))	VN45	(VN28+(VN51-VN28)*(17/23))
2Ch	VP44	(VP28+(VP51-VP28)*(16/23))	VN44	(VN28+(VN51-VN28)*(16/23))
2Bh	VP43	(VP28+(VP51-VP28)*(15/23))	VN43	(VN28+(VN51-VN28)*(15/23))
2Ah	VP42	(VP28+(VP51-VP28)*(14/23))	VN42	(VN28+(VN51-VN28)*(14/23))
29h	VP41	(VP28+(VP51-VP28)*(13/23))	VN41	(VN28+(VN51-VN28)*(13/23))
28h	VP40	(VP28+(VP51-VP28)*(12/23))	VN40	(VN28+(VN51-VN28)*(12/23))
27h	VP39	(VP28+(VP51-VP28)*(11/23))	VN39	(VN28+(VN51-VN28)*(11/23))
26h	VP38	(VP28+(VP51-VP28)*(10/23))	VN38	(VN28+(VN51-VN28)*(10/23))
25h	VP37	(VP28+(VP51-VP28)*(9/23))	VN37	(VN28+(VN51-VN28)*(9/23))

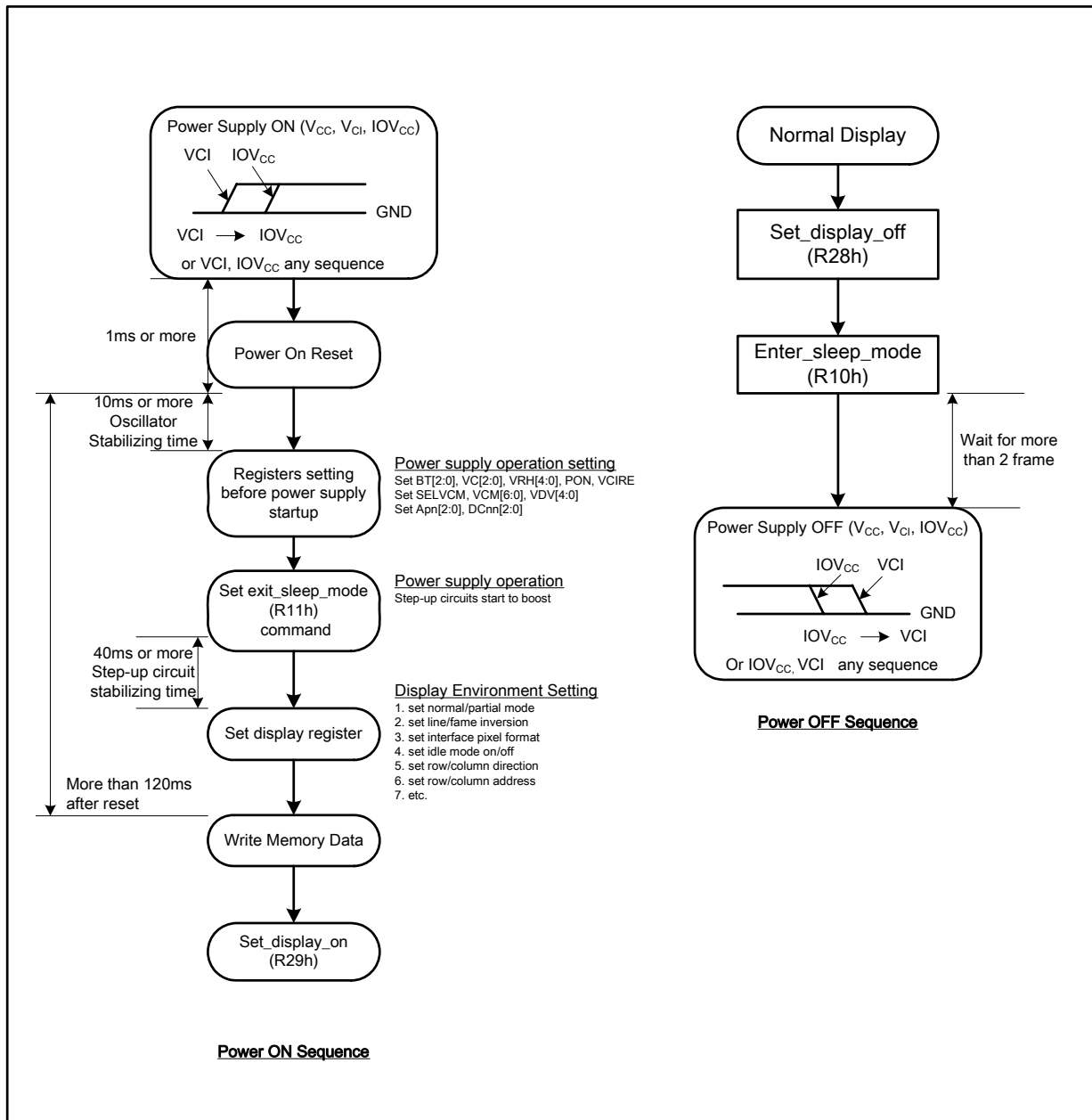
24h	VP36	(VP28+(VP51-VP28)*(8/23))	VN36	(VN28+(VN51-VN28)*(8/23))
23h	VP35	(VP28+(VP51-VP28)*(7/23))	VN35	(VN28+(VN51-VN28)*(7/23))
22h	VP34	(VP28+(VP51-VP28)*(6/23))	VN34	(VN28+(VN51-VN28)*(6/23))
21h	VP33	(VP28+(VP51-VP28)*(5/23))	VN33	(VN28+(VN51-VN28)*(5/23))
20h	VP32	(VP28+(VP51-VP28)*(4/23))	VN32	(VN28+(VN51-VN28)*(4/23))
1Fh	VP31	(VP28+(VP51-VP28)*(3/23))	VN31	(VN28+(VN51-VN28)*(3/23))
1Eh	VP30	(VP28+(VP51-VP28)*(2/23))	VN30	(VN28+(VN51-VN28)*(2/23))
1Dh	VP29	(VP28+(VP51-VP28)*(1/23))	VN29	(VN28+(VN51-VN28)*(1/23))
1Ch	VP28	(VgP28)	VN28	(VgN28)
1Bh	VP27	(VP16+(VP28-VP16)*(22/24))	VN27	(VN16+(VN28-VN16)*(22/24))
1Ah	VP26	(VP16+(VP28-VP16)*(20/24))	VN26	(VN16+(VN28-VN16)*(20/24))
19h	VP25	(VP16+(VP28-VP16)*(18/24))	VN25	(VN16+(VN28-VN16)*(18/24))
18h	VP24	(VP16+(VP28-VP16)*(16/24))	VN24	(VN16+(VN28-VN16)*(16/24))
17h	VP23	(VP16+(VP28-VP16)*(14/24))	VN23	(VN16+(VN28-VN16)*(14/24))
16h	VP22	(VP16+(VP28-VP16)*(12/24))	VN22	(VN16+(VN28-VN16)*(12/24))
15h	VP21	(VP16+(VP28-VP16)*(10/24))	VN21	(VN16+(VN28-VN16)*(10/24))
14h	VP20	(VP16+(VP28-VP16)*(8/24))	VN20	(VN16+(VN28-VN16)*(8/24))
13h	VP19	(VP16+(VP28-VP16)*(6/24))	VN19	(VN16+(VN28-VN16)*(6/24))
12h	VP18	(VP16+(VP28-VP16)*(4/24))	VN18	(VN16+(VN28-VN16)*(4/24))
11h	VP17	(VP16+(VP28-VP16)*(2/24))	VN17	(VN16+(VN28-VN16)*(2/24))
10h	VP16	(VgP16)	VN16	(VgN16)
0Fh	VP15	(VP9+(VP16-VP9)*(44/48))	VN15	(VN9+(VN16-VN9)*(44/48))
0Eh	VP14	(VP9+(VP16-VP9)*(40/48))	VN14	(VN9+(VN16-VN9)*(40/48))
0Dh	VP13	(VP9+(VP16-VP9)*(36/48))	VN13	(VN9+(VN16-VN9)*(36/48))
0Ch	VP12	(VP9+(VP16-VP9)*(32/48))	VN12	(VN9+(VN16-VN9)*(32/48))
0Bh	VP11	(VP9+(VP16-VP9)*(25/48))	VN11	(VN9+(VN16-VN9)*(25/48))
0Ah	VP10	(VP9+(VP16-VP9)*(18/48))	VN10	(VN9+(VN16-VN9)*(18/48))
09h	VP9	(VgP9)	VN9	(VgN9)
08h	VP8	(VP4+(VP9-VP4)*(36/45))	VN8	(VN4+(VN9-VN4)*(36/45))
07h	VP7	(VP4+(VP9-VP4)*(27/45))	VN7	(VN4+(VN9-VN4)*(27/45))
06h	VP6	(VP4+(VP9-VP4)*(18/45))	VN6	(VN4+(VN9-VN4)*(18/45))
05h	VP5	(VP4+(VP9-VP4)*(9/45))	VN5	(VN4+(VN9-VN4)*(9/45))
04h	VP4	(VgP4)	VN4	(VgN4)
03h	VP3	(VP0+(VP4-VP0)*(48/64))	VN3	(VN0+(VN4-VN0)*(48/64))
02h	VP2	(VP0+(VP4-VP0)*(32/64))	VN2	(VN0+(VN4-VN0)*(32/64))
01h	VP1	(VP0+(VP4-VP0)*(16/64))	VN1	(VN0+(VN4-VN0)*(16/64))
00h	VP0	(VgP0)	VN0	(VgN0)

# 14. Application

## 14.1. Application Circuit



## 14.2. Power Supply Configuration





## 15. Electrical Characteristics

### 15.1. Absolute Maximum Ratings

The absolute maximum rating is listed on following table. When ILI9327 is used out of the absolute maximum ratings, ILI9327 may be permanently damaged. To use the ILI9327 within the following electrical characteristics limit is strongly recommended for normal operation. If these electrical characteristic conditions are exceeded during normal operation, the ILI9327 will malfunction and cause poor reliability.

Item	Symbol	Unit	Value	Note
Power supply voltage	IOVCC	V	-0.3 ~ + 4.6	1,2
Power supply voltage	VCI - GND	V	-0.3 ~ + 4.6	1,3
Power supply voltage	DDVDH - GND	V	-0.3 ~ + 6.0	1,4
Power supply voltage	GND -VCL	V	-0.3 ~ + 4.6	1
Power supply voltage	DDVDH - VCL	V	-0.3 ~ + 9.0	1,5
Power supply voltage	VGH - GND	V	-0.3 ~ + 18	1,6
Power supply voltage	GND - VGL	V	-0.3 ~ + 18	1,7
Power supply voltage	VGH - VGL	V	0.3 ~ + 30	
Input voltage	Vt	V	-0.3 ~ IOVCC+ 0.3	1
Operating temperature	Topr	°C	-40 ~ + 85	8, 9
Storage temperature	Tstg	°C	-55 ~ + 110	8, 9

Notes:

1. GND must be maintained
2. (High) (VCC = VCC) ≥ GND (Low), (High) IOVCC ≥ GND (Low).
3. Make sure (High) VCI ≥ GND (Low).
4. Make sure (High) DDVDH ≥ GND (Low).
5. Make sure (High) DDVDH ≥ VCL (Low).
6. Make sure (High) VGH ≥ GND (Low).
7. Make sure (High) GND ≥ VGL (Low).
8. For die and wafer products, specified up to 85°C.
9. This temperature specifications apply to the TCP package

## 15.2. DC Characteristics

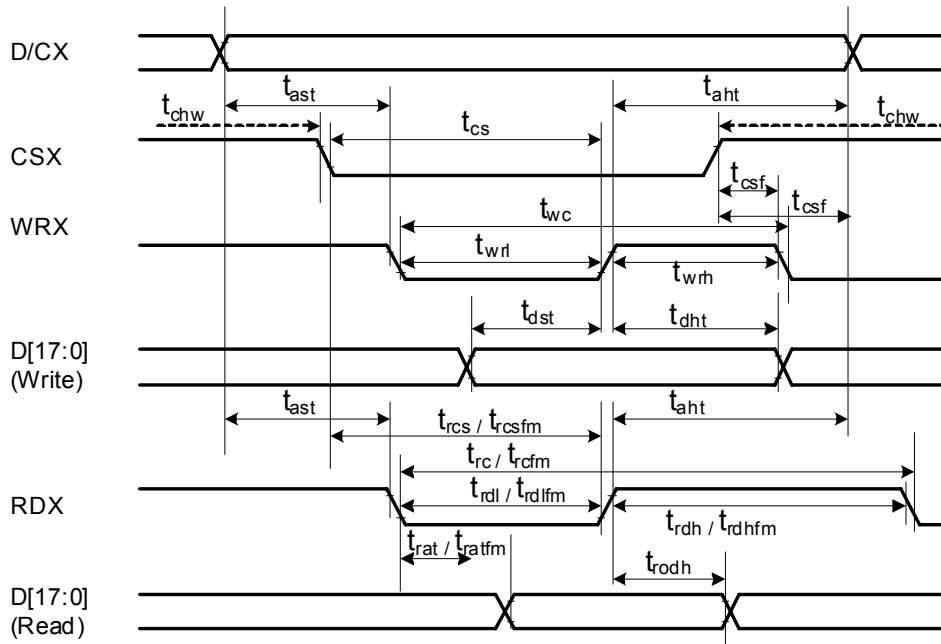
(VCC=VCI=2.50 ~ 3.3V, IOVCC = 1.65 ~ 3.3V, Ta= -40 ~ 85 °C)

Parameter	Symbol	Condition	Min.	Typ.	Max.	Unit
Analog Power Supply Voltage	VCI	Analog Operation Voltage	2.5	2.8	3.6	V
I/O pin Power Supply Voltage	IOVCC	I/O pin Operation Voltage	1.65	2.8	3.6	V
Input high voltage	V <sub>IH</sub>	IOVCC = 1.65V ~ 3.3V	0.7*IOVCC	-	IOVCC	V
Input low voltage	V <sub>IL</sub>	IOVCC = 1.65V ~ 3.3V	0.0	-	0.3*IOVCC	V
Output high voltage	V <sub>OH</sub>	I <sub>out</sub> = -0.1 mA	0.8*IOVCC	-	IOVCC	V
Output low voltage	V <sub>OL</sub>	I <sub>out</sub> = +0.1 mA	0.0	-	0.2*IOVCC	V
I/O leakage current	I <sub>LI</sub>	V <sub>in</sub> =0 ~ IOVCC	-0.1		0.1	uA
Current consumption during normal operation (VCC, VCI, IOVCC)	I <sub>OP</sub>	VCC=VCI=IOVCC=2.8V, Ta=25°C, GRAM data=0000h, Frame rate=60Hz, line inversion	-	TBD	-	mA
Current consumption during standby operation (VCC, VCI, IOVCC)	I <sub>ST</sub>	VCC=VCI=IOVCC=2.8V, Ta=25°C, CPU interface	-	50	TBD	uA
LCD Drive Power Supply Current (DDVDH-GND)	I <sub>LCD</sub>	VCC=VCI=IOVCC=2.8V, Ta=25°C, GRAM data=0000h, Frame rate=60Hz, line inversion		7.0	-	mA
LCD Drive voltage	DDVDH		4.5		6	Volt
Output deviation voltage	I <sub>DEV</sub>				20	mV
Output offset voltage	I <sub>OFFSET</sub>	Note1			35	mV

Note 1: The Max. value is between with measure point and gamma setting value.

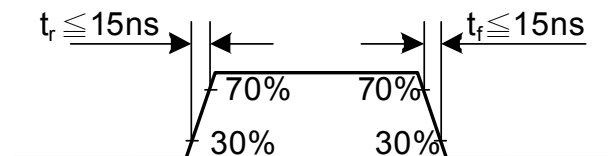
### 15.3. AC Characteristics

#### 15.3.1. DBI Type B (18/16/9/8 bit) Interface Timing Characteristics

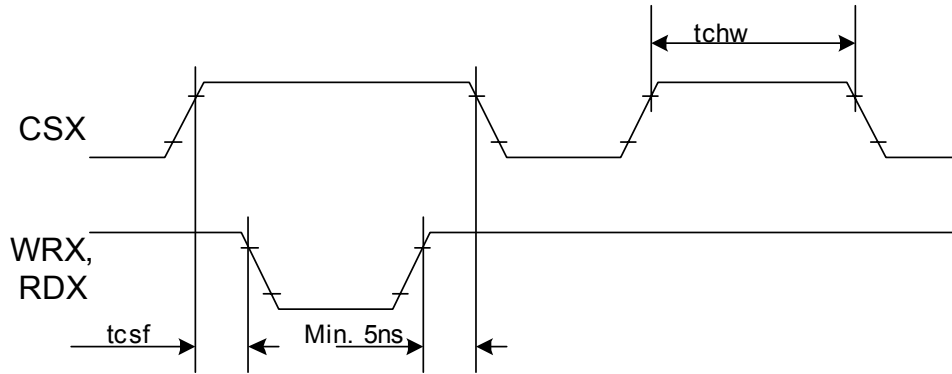


Signal	Symbol	Parameter	min	max	Unit	Description
D/CX	tast	Address setup time	0	-	ns	
	taht	Address hold time (Write/Read)	10	-	ns	
CSX	tchw	CSX "H" Pulse Width	0	-	ns	
	tcs	Chip Select setup time (Write)	20	-	ns	
	trcs	Chip Select setup time (Read ID)	45	-	ns	
	trcsfm	Chip Select setup time (Read FM)	355	-	ns	
	tcsf	Chip Select Wait time (Write/Read)	10	-	ns	
WRX	twc	Write cycle	80	-	ns	
	twrh	Write Control pulse H duration	25	-	ns	
	twrl	Write Control pulse L duration	25	-	ns	
RDX (ID)	trc	Read cycle (ID)	160	-	ns	
	trdh	Read Control pulse H duration (ID)	90	-	ns	
	trdl	Read Control pulse L duration (ID)	45	-	ns	
RDX (FM)	trcfm	Read cycle (FM)	450	-	ns	
	trdhfm	Read Control pulse H duration (FM)	90	-	ns	
	trdlfm	Read Control pulse L duration (FM)	355	-	ns	
DB[17:0], DB[15:0], DB[8:0], DB[7:0]	tdst	Data setup time	10	-	ns	For maximum CL=30pF For minimum CL=8pF
	tdht	Data hold time	10	-	ns	
	trat	Read access time (ID)	-	40	ns	
	tratfm	Read access time (FM)	-	340	ns	
	todh	Output disable time	20	-	ns	

Note: Ta = -30 to 70 °C, VDDI=1.65V to 3.3V, VDD=2.5V to 3.0V, DGND=0V

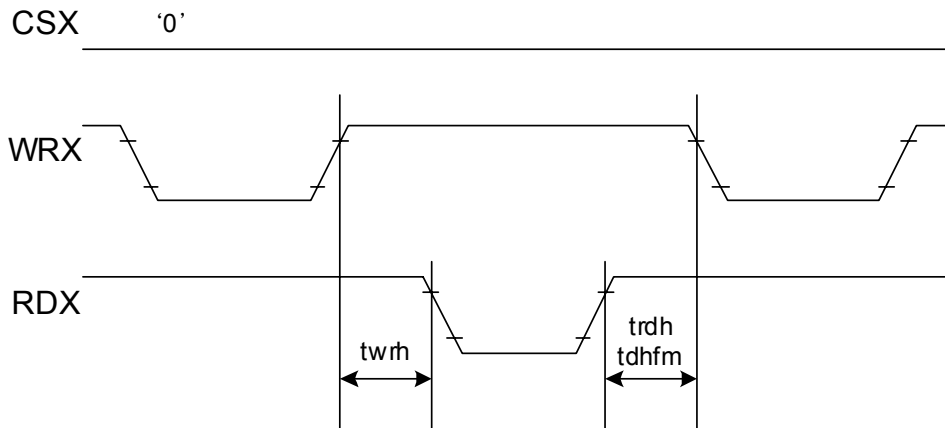


CSX timings:



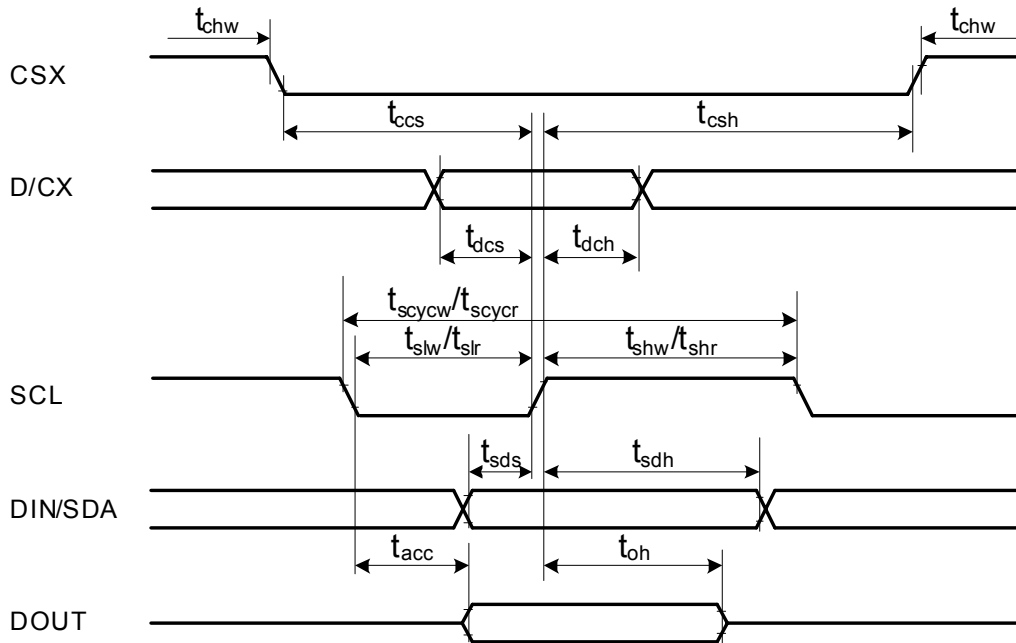
Note: Logic high and low levels are specified as 30% and 70% of VDDI for Input signals.

Write to read or read to write timings:



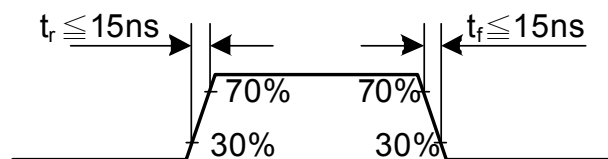
Note: Logic high and low levels are specified as 30% and 70% of VDDI for Input signals.

**15.3.2. DBI Type C (SPI) Interface Timing Characteristics**

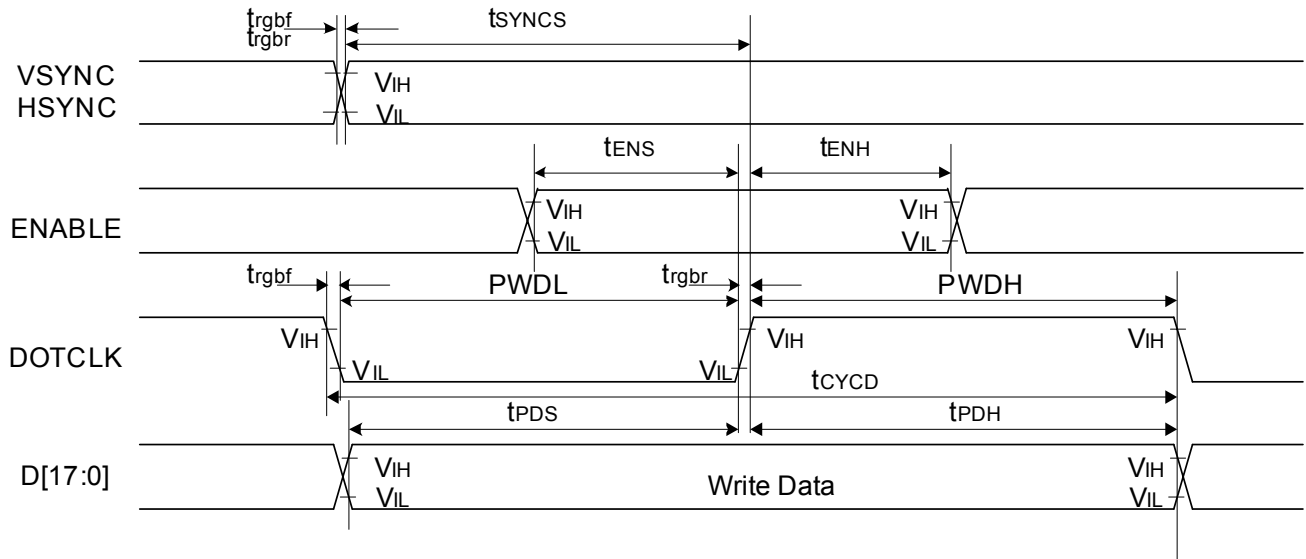


Signal	Symbol	Parameter	min	max	Unit	Description
CSX	tcss	CSX-SCL time (Write)	15	-	ns	
	tcsh	CSX-SCL time (Write)	15	-	ns	
	tcss	CSX-SCL time (Read)	60	-	ns	
	tcsh	CSX-SCL time (Read)	60	-	ns	
	tchw	CSX "H" pulse time	40	-	ns	
SCL	tscycw	Serial clock cycle (Write)	60	-	ns	
	tshw	SCL "H" pulse width (Write)	15	-	ns	
	tslw	SCL "L" pulse width (Write)	15	-	ns	
	tscycr	Serial clock cycle (Read GRAM)	300	-	ns	
	tshr	SCL "H" pulse width (Read GRAM)	110	-	ns	
	tslr	SCL "L" pulse width (Read GRAM)	110	-	ns	
	tscycr	Serial clock cycle (Read ID)	150	-	ns	
	tshr	SCL "H" pulse width (Read GRAM)	54	-	ns	
tslr	SCL "L" pulse width (Read GRAM)	54	-	ns		
D/CX	tdcs	D/CX setup time	7	-	ns	
	tdch	D/CX hold time	7	-	ns	
SDA (Input) (Output)	tacc	Access time	10	50	ns	For maximum CL=30pF
	toh	Output disable time	15	50	ns	For minimum CL=8pF
	tds	Data setup time	7	-		
	tdh	Data hold time	7	-		

Note:  $T_a = -30$  to  $70$  °C,  $V_{DDI}=1.65V$  to  $3.3V$ ,  $V_{DD}=2.5V$  to  $3.0V$ ,  $AGND=DGND=0V$

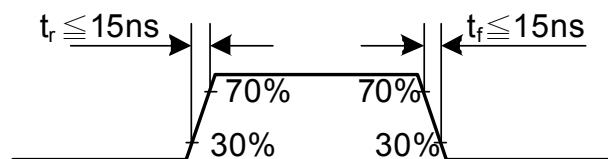


### 15.3.3. DPI Interface Timing Characteristics



Signal	Symbol	Parameter	min	max	Unit	Description
VSYNC / HSYNC	$t_{SYNCS}$	VSYNC/HSYNC setup time	15	-	ns	18/16-bit bus RGB interface mode
	$t_{SYNCH}$	VSYNC/HSYNC hold time	15	-	ns	
ENABLE	$t_{ENS}$	ENABLE setup time	15	-	ns	
	$t_{ENH}$	ENABLE hold time	15	-	ns	
D[17:0]	$t_{POS}$	Data setup time	15	-	ns	
	$t_{POH}$	Data hold time	15	-	ns	
DOTCLK	PWDH	DOTCLK high-level period	15	-	ns	
	PWDL	DOTCLK low-level period	15	-	ns	
	$t_{CYCD}$	DOTCLK cycle time	100	-	ns	
	$t_{rgbr}, t_{rgbf}$	DOTCLK,HSYNC,VSYNC rise/fall time	-	15	ns	
VSYNC / HSYNC	$t_{SYNCS}$	VSYNC/HSYNC setup time	15	-	ns	6-bit bus RGB interface mode
	$t_{SYNCH}$	VSYNC/HSYNC hold time	15	-	ns	
ENABLE	$t_{ENS}$	ENABLE setup time	15	-	ns	
	$t_{ENH}$	ENABLE hold time	15	-	ns	
D[17:0]	$t_{POS}$	Data setup time	15	-	ns	
	$t_{POH}$	Data hold time	15	-	ns	
DOTCLK	PWDH	DOTCLK high-level pulse period	15	-	ns	
	PWDL	DOTCLK low-level pulse period	15	-	ns	
	$t_{CYCD}$	DOTCLK cycle time	100	-	ns	
	$t_{rgbr}, t_{rgbf}$	DOTCLK,HSYNC,VSYNC rise/fall time	-	15	ns	

Note:  $T_a = -30$  to  $70$  °C,  $V_{DDI}=1.65V$  to  $3.3V$ ,  $V_{DD}=2.5V$  to  $3.0V$ ,  $AGND=DGND=0V$



## 16. Revision History

Version No.	Date	Page	Description
0.00	2008/11/24		New Create
0.01	2009/03/03	13~18	Modify pad coordinates
	2009/03/09	12, 18	Modify alignment mark coordinate y=-251→-217
		13	Pad 166 modification: VREG→VREG1OUT
	2009/03/09	120~122	Add DSTB description
		44~45	Add MDDI description and move DSTB description to page 120~122
0.02	2009/03/13	36	Add MDDI max transmit rate 130Mbps
0.03	2009/03/23	149, 181	Modify the gamma register RC8h and gamma adjustment.
		7~9	Modify the pin description for the shared pins for sub-panel control
		186, 187	Add the application circuit and power on/off sequence.
		120	Modify the EPF definition.
0.04	2009/05/06	183	Remove the capacitors of VCOMH and VCOML.
0.05	2009/06/12	34	Modify the DPI (RGB) interface data bus arrangement.
		141	Modify the calculation formula of frame rate.
		163	Add GON/DTE/NW[5:0] description in register EAh.