

Dimension	Formula
x	pins*pitch=pins*0.5
A	x+3.06
B	x+0.55
C	x-0.5
D	x+4.0
E	x+1.85
F	x+2.1
G	x+4.9

Units: millimeters
Tolerance: ±0.1



CrystalFontz
© 2020 CrystalFontz America, Inc.

Part Number:

CS050ZxxG-B0

Date:

2020-02-25

Filename:

CS050ZxxG-B0 mm.pdf

Revision:

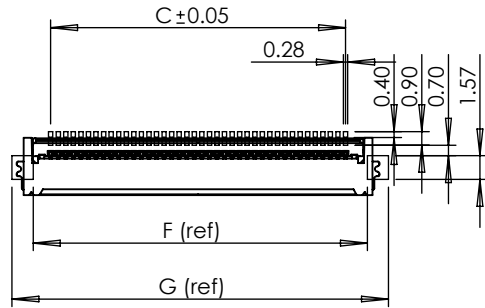
v1.0

Web:

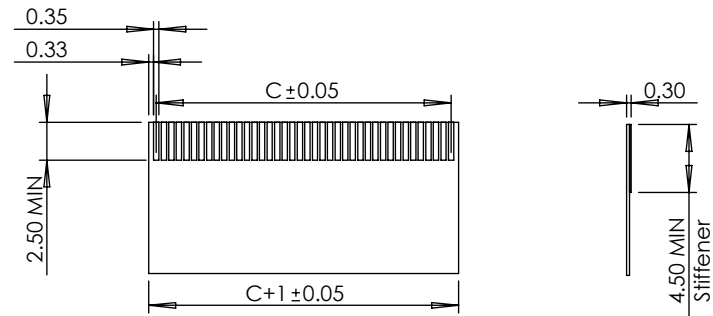
www.crystalfontz.com

Sheet:

1 of 2



Recommended PCB Layout



Recommended FFC/FPC

Part Number Decoder:


- C: Crystalfontz connector
- S: Surface mount
- 050: 0.50 mm pitch
- Z: Top and Bottom Connection
- xx: Number of pins
- G: Gold contacts
- B0: Family and version number

- 0.5mm pitch
- Gold plating
- Contacts: top and bottom
- Performance:

- Current rating: 0.5A/pin
- Voltage rating: 50V (AC/DC)
- Contact resistance: 30mOhm
- Durability: 20 times, min
- Operating temperature: $-40^{\circ}\text{C} - +85^{\circ}\text{C}$

Note: Do not close connector when empty.
Doing so may affect the performance of the connector.

Units: millimeters
Tolerance: ± 0.1

 Crystalfontz © 2020 Crystalfontz America, Inc.	Part Number:	Date:	Filename:	Revision:
	CS050ZxxG-B0	2020-02-26	CS050ZxxG-B0 mm.pdf	v1.0
		Web:	www.crystalfontz.com	Sheet:
				2 of 2