

Dimension	Formula
x	$\text{pins} * \text{pitch} = \text{pins} * 0.3$
A	$x + 1.6$
B	$x + 0.33$
C	$x - 0.3$
D	$x - 0.9$
E	$x + 1.03$
F	$x + 0.3$

Units: millimeters  
Tolerance:  $\pm 0.1$



CrystalFontz  
© 2021 CrystalFontz America, Inc.

Part Number:

CS030ZxxG-A0 (xx is number of pins)

Date:

2021-09-01

Filename:

CS030ZxxG-A0 mm.pdf

Revision:

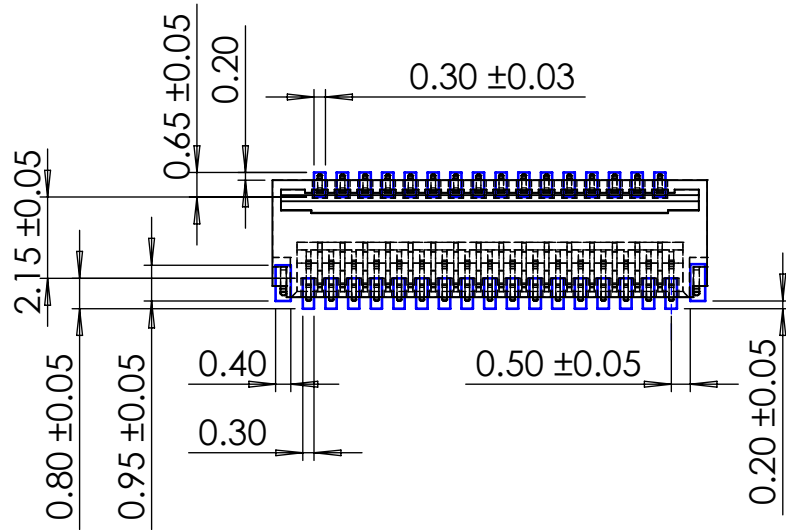
v1.1

Web:

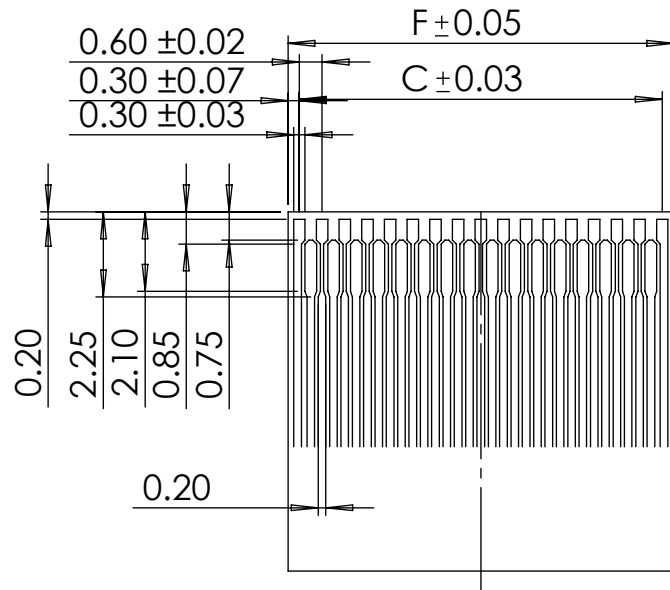
www.crystalfontz.com

Sheet:

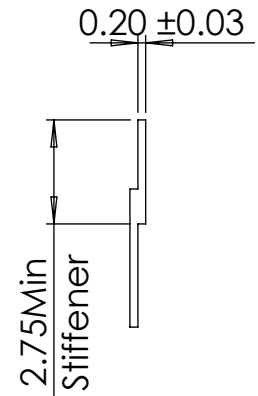
1 of 2



Recommended PCB layout



Recommended FFC



Part Number Decoder:  
 C: Crystalfontz connector  
 S: Surface mount  
 030: 0.30 mm pitch  
 Z: Top and Bottom Connection  
 xx: Number of pins  
 G: Gold contacts  
 A0: Family and version number

0.3mm pitch, staggered  
 Gold plating  
 Contacts: top and bottom  
 Performance:  
 Current rating: 0.2A/pin  
 Voltage rating: 30V (AC/DC)  
 Contact resistance: 100mOhm  
 Durability: 20 times, min  
 Operating temperature: -40°C - +85°C

Note: Do not close connector when empty.  
 Doing so may affect the performance of the connector.

Units: millimeters  
 Tolerance: ±0.1



Crystalfontz  
 © 2021 Crystalfontz America, Inc.

Part Number:  
 CS030ZxxG-A0 (xx is number of pins)

Date: 2021-09-01	Filename: CS030ZxxG-A0 mm.pdf	Revision: v1.1
Web: www.crystalfontz.com	Sheet: 2 of 2	