



## INTELLIGENT LCD MODULE SPECIFICATIONS



**CFA635-TFK-KS**  
**CFA635-TML-KS**  
**CFA635-YYK-KS**

**Hardware Version: v1.5**  
**Firmware Version: s2.6**

**Datasheet Release: 2019-05-23**

### **Crystalfontz America, Inc.**

12412 East Saltese Avenue  
Spokane Valley, WA 99216-0357  
Phone: 888-206-9720  
Fax: 509-892-1203  
Email: [support@crystalfontz.com](mailto:support@crystalfontz.com)  
URL: [www.crystalfontz.com](http://www.crystalfontz.com)

## Table of Contents

<b>1. GENERAL INFORMATION .....</b>	<b>5</b>
<b>2. INTRODUCTION.....</b>	<b>6</b>
2.1. MODULE CLASSIFICATION INFORMATION.....	8
2.2. ORDERING INFORMATION .....	8
2.3. DISPLAY MOUNTS .....	9
2.4. CABLES.....	10
<b>3. MECHANICAL CHARACTERISTICS .....</b>	<b>11</b>
3.1. PHYSICAL CHARACTERISTICS .....	11
3.2. JUMPER LOCATIONS.....	11
3.3. JUMPER FUNCTIONS / CONFIGURATION .....	12
3.4. CFA635-XXX-KS CONSTRUCTION.....	13
3.5. OPTICAL CHARACTERISTICS .....	14
3.6. LED BACKLIGHT INFORMATION.....	14
<b>4. ELECTRICAL SPECIFICATIONS .....</b>	<b>15</b>
4.1. SYSTEM BLOCK DIAGRAM.....	15
4.2. ABSOLUTE MAXIMUM RATINGS .....	16
4.3. DC CHARACTERISTICS .....	16
4.4. TYPICAL CURRENT CONSUMPTION.....	17
4.5. GPIO CURRENT LIMITS.....	19
4.6. FAN CRITERIA (USING OPTIONAL FBSCAB).....	19
4.7. CFA-RS232 CHARACTERISTICS.....	19
4.8. SERIAL ESD SPECIFICATIONS .....	19
<b>5. CONNECTION INFORMATION .....</b>	<b>20</b>
5.1. CONNECTION OF CFA-RS232 TO CFA635-XXX-KL .....	20
5.2. CFA-RS232 H1 PIN ASSIGNMENTS.....	20
5.1. POWER CONNECTION TO HOST.....	21
5.2. FBSCAB CONNECTION (OPTIONAL) .....	22
<b>6. ATX POWER SUPPLY CONTROL .....</b>	<b>23</b>
6.1. INTRODUCTION.....	23
6.2. CONNECTION USING WR-PWR-Y25 OR WR-PWR-Y38 CABLES .....	24
<b>7. HOST COMMUNICATIONS .....</b>	<b>26</b>
7.1. INTRODUCTION.....	26
7.2. PACKET STRUCTURE.....	26
7.3. ABOUT HANDSHAKING .....	27
7.4. REPORT CODES.....	27
0x80: Key Activity.....	27
0x81: Fan Speed Report (FBSCAB Required) .....	28
0x82: Temperature Sensor Report (FBSCAB Required).....	29
7.5. COMMAND CODES.....	30
0 (0x00): Ping Command.....	30
1 (0x01): Get Hardware & Firmware Version .....	30
2 (0x02): Write User Flash Area .....	30
4 (0x04): Store Current State as Boot State.....	31
5 (0x05): Reboot CFA635, Reset Host, or Power Off Host .....	32
6 (0x06): Clear LCD Screen .....	33
9 (0x09): Set LCD Special Character Data.....	33
10 (0x0A): Read 8 Bytes of LCD Memory .....	33
11 (0x0B): Set LCD Cursor Position .....	34
12 (0x0C): Set LCD Cursor Style.....	34



13 (0x0D): Set LCD Contrast.....	35
14 (0x0E): Display & Keypad Backlights .....	35
16 (0x10): Set Up Fan Reporting (FBSCAB Required) .....	36
17 (0x11): Set Fan Power (FBSCAB Required) .....	36
18 (0x12): Read DOW Device Information (FBSCAB Required) .....	37
19 (0x13): Set Up Temperature Reporting (FBSCAB Required).....	38
20 (0x14): Arbitrary DOW Transaction (FBSCAB Required).....	38
22 (0x16): Send Command Directly to the LCD Controller.....	39
23 (0x17): Configure Key Reporting .....	39
24 (0x18): Read Keypad, Polled Mode.....	40
25 (0x19): Set Fan Power Fail-Safe (FBSCAB Required).....	40
26 (0x1A): Set Fan Tachometer Glitch Filter (FBSCAB Required) .....	41
27 (0x1B): Query Fan Power & Fail-Safe Mask (FBSCAB Required).....	41
28 (0x1C): Set ATX Control Functionality and Module Power-On .....	43
30 (0x1E): Read Reporting & Status .....	45
31 (0x1F): Send Data to LCD .....	46
33 (0x21): Set Baud Rate .....	46
34 (0x22): Set or Set and Configure GPIO Pins.....	46
35 (0x23): Read GPIO Pin Levels and Configuration State .....	48
<b>8. CHARACTER GENERATOR ROM (CGROM).....</b>	<b>50</b>
<b>9. LCD MODULE RELIABILITY AND LONGEVITY .....</b>	<b>51</b>
9.1. MODULE LONGEVITY (EOL / REPLACEMENT POLICY).....	51
<b>10. CARE AND HANDLING PRECAUTIONS.....</b>	<b>52</b>
10.1. ESD (ELECTROSTATIC DISCHARGE) .....	52
10.2. DESIGN AND MOUNTING .....	52
10.3. MECHANICAL SHOCK, IMPACT, TORQUE, OR TENSION.....	52
10.4. LCD PANEL BREAKAGE.....	52
10.5. CLEANING.....	52
10.6. OPERATION .....	52
10.7. STORAGE AND RECYCLING .....	53
<b>11. MECHANICAL DRAWINGS.....</b>	<b>54</b>
11.1. MODULE OUTLINE DRAWING FRONT, BACK, AND SIDE VIEWS.....	54
11.2. OPTIONAL MOUNTING BRACKET DRAWING .....	55
11.3. KEYPAD DETAIL DRAWING .....	56
11.4. PANEL MOUNTING APPLICATION CUTOUT DRAWING.....	57
<b>12. APPENDIX A: EXAMPLE SOFTWARE AND SAMPLE SOURCE CODE.....</b>	<b>58</b>
12.1. EXAMPLE SOFTWARE .....	58
12.2. ALGORITHMS TO CALCULATE THE CRC.....	58



## **Table of Figures**

FIGURE 1. CFA635 DRIVE BAY BRACKET .....	9
FIGURE 2. CFA635 SLED .....	9
FIGURE 3. XES635-TFK-KU IN STEEL CASE .....	9
FIGURE 4: CFA635 JUMPER LOCATIONS AND FUNCTIONS .....	11
FIGURE 5. ANGLED VIEW OF CFA-RS232 LEVEL TRANSLATOR MOUNTED ON CFA635-xxx-KL .....	13
FIGURE 6. SIDE VIEW OF CFA-RS232 LEVEL TRANSLATOR MOUNTED ON CFA635-xxx-KL .....	13
FIGURE 8. CFA-RS232 LEVEL TRANSLATOR .....	20
FIGURE 9. CFA-RS232 H1 PIN ASSIGNMENTS WHEN MOUNTED TO CFA635-xxx-KL .....	21
FIGURE 11. CFA635-xxx-KS POWER CONNECTION TO HOST THROUGH H1 OR J1 OF CFA-RS232 .....	22
FIGURE 10. CFA635 CONNECTED TO OPTIONAL FBSCAB WITH WR-EXT-Y37 CABLE .....	22
FIGURE 12. ATX CONNECTION THROUGH H1 ON THE CFA-RS232 USING WR-PWR-Y25 CABLE.....	24
FIGURE 13. ATX CONNECTION USING WR-PWR-Y25 OR WR-PWR-Y38 CABLE.....	25
FIGURE 10: CHARACTER GENERATOR ROM (CGROM).....	50

## 1. General Information

### Datasheet Revision History

Datasheet Version: **2019-05-23**  
Hardware Version: **v1.5**  
Firmware Version: **s2.6**

For information about firmware and hardware revisions, see the Part Change Notifications (PCNs) under “News” in our website’s navigation bar. To see the most recent PCN for the CFA635 family at the time of this datasheet release, see [PCN #11023](#).

Previous datasheet Version: **2018-12-12**

For reference, previous datasheets may be downloaded by clicking the “Show Previous Versions of Datasheet” link under the “Datasheets and Files” tab of the product web page.

### Product Change Notifications

To check for or subscribe to “Part Change Notices” for this display module, see the [Product Notices](#) tab on the product’s webpage.

### Variations

Slight variations (for example, contrast, color, or intensity) between lots are normal.

### Volatility

This display module has volatile memory.

### Disclaimer

Certain applications using Crystalfontz America, Inc. products may involve potential risks of death, personal injury, or severe property or environmental damage (“Critical Applications”). CRYSTALFONTZ AMERICA, INC. PRODUCTS ARE NOT DESIGNED, INTENDED, AUTHORIZED, OR WARRANTED TO BE SUITABLE FOR USE IN LIFE-SUPPORT APPLICATIONS, DEVICES OR SYSTEMS OR OTHER CRITICAL APPLICATIONS. Inclusion of Crystalfontz America, Inc. products in such applications is understood to be fully at the risk of the customer. In order to minimize risks associated with customer applications, adequate design and operating safeguards should be provided by the customer to minimize inherent or procedural hazard. Please contact us if you have any questions concerning potential risk applications.

Crystalfontz America, Inc. assumes no liability for applications assistance, customer product design, software performance, or infringements of patents or services described herein. Nor does Crystalfontz America, Inc. warrant or represent that any license, either express or implied, is granted under any patent right, copyright, or other intellectual property right of Crystalfontz America, Inc. covering or relating to any combination, machine, or process in which our products or services might be or are used.

All specifications in datasheets on our website are, to the best of our knowledge, accurate but not guaranteed. Corrections to specifications are made as any inaccuracies are discovered.

Company and product names mentioned in this publication are trademarks or registered trademarks of their respective owners.

Copyright © 2017 by Crystalfontz America, Inc., 12412 East Saltese Avenue, Spokane Valley, WA 99216 U.S.A.

## 2. Introduction

The CFA635 family of modules has four interface choices:

- CFA635-xxx-KL (logic-level serial / UART)
- CFA635-xxx-KS (CFA-RS232)
- CFA635-xxx-KU (USB)
- XES635BK-xxx-KU (enclosed USB)

This datasheet has information for these interface modules:

- CFA635-TFK-KS **CFA-635** (dark letters on a light background; this display can be read in normal office lighting, in dark areas, and in bright sunlight)
- CFA635-TML-KS **CFA-635** (light letters on a blue background; this display can be read in normal office lighting and in dark areas)
- CFA635-YYK-KS **CFA-635** (dark letters on a yellow background; this display can be read in normal office lighting, in dark areas, and in bright sunlight)

Differences Between the Two Serial Interfaces:

- **“Logic Level, Inverted” Serial (CFA635-xxx-KL)**

The CFA635-xxx-KL exposes the UART Tx & Rx (logic level, inverted, 0v to 3.3v nominal) signals on pin 1 and pin 2 of the CFA635's expansion connector H1. If your embedded processor is in close physical proximity to the CFA635, you can cable its UART Rx and Tx pins directly to the CFA635-xxx-KL's Tx and Rx pins. No RS232 level translators are required on either end.

- **“Full Swing” RS232 Serial (CFA635-xxx-KS)**

The CFA635-xxx-KS is a CFA635-xxx-KL with a CFA-RS232 level translator board attached. The CFA635-xxx-KS is the correct choice if your embedded controller or host system has a “real” RS232 serial port (-5v to +5v “full swing” serial interface) available.

NOTE: The USB connector on the CFA635-xxx-KL and CFA635-xxx-KS is not supported in the firmware and cannot be used.

Main Features:

- Large, easy-to-read, 20-character x 4-line LCD in a compact overall size.
- Fits nicely in a 1U rack mount case (37 mm overall height).
- May be installed in a standard half-height 5 1/4 drive bay by using our optional drive bay mounting bracket or our optional SLED bracket. The SLED holds the CFA-635 display module, an optional FBSCAB and has mounting points for a standard 3.5-inch hard disk drive.
- The LCD has a wide viewing angle, with a 12 o'clock preferred viewing direction.
- Serial interface “logic level, inverted”, 0v to +5v nominal.
- Six-button, LED backlit, translucent silicone keypad with screened legend. Fully decoded keypad: any key combination is valid and unique.
- LCD is edge-lit with 8 long-life, high performance, LEDs (4 per side).
- Adjustable contrast. The default contrast value for the module will be acceptable for most applications. If necessary, you can adjust the contrast using command [13 \(0x0D\): Set LCD Contrast](#).
- The front of the display has four bicolor (red + green), LED status lights. The LEDs' brightness can be set by the host software that allows for smoothly adjusting the LEDs to produce other colors (for example, yellow, and orange).
- Robust, packet-based protocol with 16-bit CRC ensures error-free communications.
- Optional ATX Power Supply control functionality allows the CFA635's buttons to replace the Power and Reset switches on your system, simplifying front panel design. Optional Crystalfontz WR-PWR-Y25 or WR-PWR-Y38 cables may be used to simplify connection to the host's motherboard.
- Nonvolatile memory capability (EEPROM):



- Customize the “power-on” display settings (backlight brightness, boot screen, LED settings).
- 16-byte “scratch” register for storing IP address, netmask, system serial number.
- Hardware watchdog functionality can reset host on host software failure.
- The combination of the CFA635-xxx-KS with the optional FBSCAB (System Cooling Accessory Board) allows:
  - Four fan connections with RPM monitoring and variable PWM (Pulse Width Modulation), fan power control.
  - Fail-safe fan power settings allows host to safely control the fans based on temperature.
  - Add up to 16 CrystalFontz WR-DOW-Y17 cables with DOW (Dallas 1-Wire) DS18B20 temperature sensors. Monitor temperatures up to 0.5°C absolute accuracy.
  - For ATX Power Supply control functionality when connected to a FBSCAB, buy the WR-PWR-Y25 or the WR-PWR-Y38 ATX power cable.
  - For more information, see [ATX Power Supply Control](#) and the [FBSCAB Datasheet](#) on our website.
- CrystalFontz America, Inc. is ISO 9001:2008 certified.
- A Declaration for Conformity, RoHS, and REACH:SVHC are available under the Datasheets & Files tab on display web pages.

## 2.1. Module Classification Information

<b>CFA</b>	<b>635</b>	<b>-</b>	<b>x</b>	<b>x</b>	<b>x</b>	<b>-</b>	<b>K</b>	<b>L</b>	<b>x</b>
<b>1</b>	<b>2</b>		<b>3</b>	<b>4</b>	<b>5</b>		<b>6</b>	<b>7</b>	<b>8</b>

<b>1</b>	<b>Brand</b>	CrystalFontz America, Incorporated
<b>2</b>	<b>Model Identifier</b>	635
<b>3</b>	<b>Backlight Type &amp; Color</b>	T – LED, white Y – LED, yellow-green
<b>4</b>	<b>Fluid Type, Image (positive or negative) &amp; LCD Glass Color</b>	F – FSTN, positive, neutral M – STN, negative blue Y – STN, positive, yellow-green
<b>5</b>	<b>Polarizer Film Type, Temperature Range &amp; View Angle (O 'Clock)</b>	K – Transflective, WT, 12:00 L – Transmissive, WT, 12:00
<b>6</b>	<b>Special Code</b>	K – Manufacturer's code
<b>7</b>	<b>Interface</b>	U – USB interface S – RS232 full-swing interface (uses CFA-RS232 level translator) L – Logic-level inverted serial interface
<b>8</b>	<b>Customize Configuration Codes<sup>1</sup></b>	1 or more characters

<sup>1</sup>When you order a CFA635 through our website, you may be offered a choice of configurations (including accessories), to add to your order through our "Customize and Add to Cart" feature.

## 2.2. Ordering Information

Part Number	Fluid	LCD Glass Color	Image	Polarizer Film	Backlight Color/Type
CFA635-TFK-KS	FSTN	neutral	positive	transflective	Backlight: white Keypad: white
CFA635-TML-KS	STN	blue	negative	transmissive	Backlight: white Keypad: blue
CFA635-YYK-KS	STN	yellow-green	positive	transflective	Backlight: yellow-green Keypad: yellow-green

Modules in the CFA635 family are:

- A USB interface module. Part numbers end in "-KU".
- A serial interface using a CFA-RS232 level translator board. Part numbers end in "-KS". Suitable for embedded controller or host system that has a "real" RS232 serial port (-5v to +5v "full swing" serial interface).
- A serial "logic level, inverted" 0v to +3.3v nominal interface (typical for direct connection to a microcontroller's UART pins). Part numbers end in "-KL".
- An external enclosure with a captive USB "A" cable connection. Please see <https://www.crystalfontz.com/family/XES635BK?family=XES635BK>.



### 2.3. Display Mounts

On the webpage for the [CFA635 Series](#), after you click the “Customize and Add to Cart” button, you will see a list of options for different cables, connectors, drive bay bracket, and SLED. The [XES635BK Series](#) comes enclosed in a steel case.



Figure 1. CFA635 Drive Bay Bracket











Figure 2. CFA635 SLED



Figure 3. XES635-TFK-KU in Steel Case

## 2.4. Cables

Below is a list of some of the cables we offer to make it easy to integrate the CFA635 into your system. Please note that cable lengths are approximate. Common configurations are described in [Connection Information](#).

Crystalfontz Cable	Image	Description All Cables Are RoHS Compliant
<a href="#">WR-232-Y08</a> ~27 inches		Use this ribbon cable to supply communications. Connect cable's 10-pin female connector to the module's J_RS232 male connector. Connect cable's RS232 DB9 9-pin female connector to host's DB9 9-pin male serial port. Default or alternate motherboard RS-232 pinouts can be accommodated by
<a href="#">WR-232-Y22</a> ~26 inches		Use this cable to supply communications. Connect one of the 10-pin female connectors to the module's J_RS232 10-pin male connector. Connect cable's second 10-pin female connector to host's motherboard 10-pin male connector. This cable supports standard or alternate pinout motherboard
<a href="#">WR-PWR-Y24</a> ~3 ft. 1.95 inches		This cable is used to supply power to the CFA635 directly from a PC power supply's "hard-drive" connector, rather than the normal USB power. Be sure to set the power jumpers correctly as shown in " <a href="#">USB interface, module powered by H1</a> ".
<a href="#">WR-PWR-Y25</a> ~11 inches		This cable simplifies the connections for using ATX power and reset control. One end plugs into the CFA635 H1 connector. The other end has connections for power control, reset control, always on power, switched power, and ground. Be sure to set the power jumpers correctly as shown in
<a href="#">WR-PWR-Y38</a> ~2 ft. 11 inches		Longer version of the WR-PWR-Y25 (described in row above).
<a href="#">WR-EXT-Y37</a> ~18 inches		<b>For use with FBSCAB:</b> Used to connect the CFA635 to the FBSCAB.
<a href="#">WR-FAN-X01</a> ~16 inches		<b>For use with FBSCAB:</b> Fan extension cable for standard 3-pin fans.
<a href="#">WR-DOW-Y17</a> ~12 inches + ~12 inches between connectors		<b>For use with FBSCAB:</b> You may connect ("daisy chain") up to 16 of these DOW (Dallas One-Wire) DS18B20 temperature sensor cables to the FBSCAB.
Please note that J8 of the FBSCAB is unused. ATX functions are supported by H1 on the CFA635.		

### 3. Mechanical Characteristics

#### 3.1. Physical Characteristics

Item	Specification (mm)	Specification (inch, reference)
Overall Width and Height	142.00 (W) x 37.0 (H)	5.59 (W) x 1.46 (H)
Viewing Area / Bezel Opening	82.90 (W) x 27.50 (H)	3.26 (W) x 1.08 (H)
Active Area	77.95 (W) x 22.35 (H)	3.07 (W) x 0.88 (H)
5x7 Standard Character Size	3.20 (W) x 4.85 (H)	0.126 (W) x 0.190 (H)
Pixel Size	0.60 (W) x 0.65 (H)	0.024 (W) x 0.026 (H)
Pixel Pitch	0.65 (W) x 0.70 (H)	0.026 (W) x 0.028 (H)
Depth with Keypad, with Connectors	34.30 nominal 34.60 maximum	1.35 nominal 1.36 maximum
Keystroke Travel (approximate)	~.4	~0.1
Weight (typical) <sup>1</sup>	67.2 grams (typical)	2.4 ounces
<sup>1</sup> Includes CFA-RS232 mounted to back of PCB.		

#### 3.2. Jumper Locations

The CFA635-xxx-KS has three jumpers. To open a jumper, remove the solder ball **AND** de-populate the corresponding resistor. To close a jumper, melt a ball of solder across the gap **OR** populate the corresponding resistor location with an 0603 0-ohm resistor.

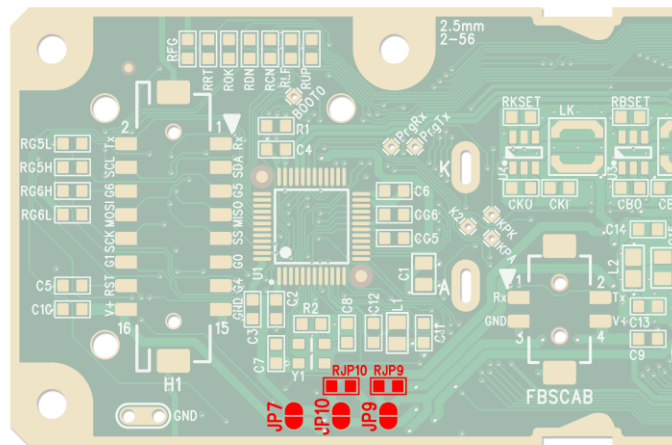

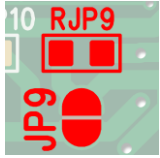
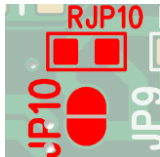


Figure 4: CFA635 Jumper Locations and Functions

### 3.3. Jumper Functions / Configuration

JP7		open (default setting)	Output of 3.3v switcher is not connected to H1 or the FBSCAB connector.
		closed	Output of 3.3v switcher is connected to the power pin of H1 and the power pin of the FBSCAB connector. <b>IMPORTANT:</b> JP9/RJP9 must be open if JP7 is closed.
JP9/RJP9		open	H1 and the FBSCAB connector are not connected to the input of the 3.3v switcher.
		closed (default setting, RJP9 is loaded)	The power pin of H1 and the power pin of the FBSCAB connector are connected to the input of the 3.3v switcher. <b>IMPORTANT:</b> JP7 must be open if JP9/RJP9 is closed.
JP10/RJP10		open (default for KL & KS)	Power from the USB is not connected to the input of the 3.3v switcher.
		closed	Power from the USB is connected to the input of the 3.3v switcher.

#### Function: USB interface, module powered by USB (default setting for CFA635-xxx-KU)

- JP7: Open
- JP9/RJP9: Closed
- JP10/RJP10: Closed

**Note:** Module is powered by USB, so the module will power up when the host system provides power to the USB connector. USB power is fed out the power pin of H1 and the power pin of the FBSCAB connector.

#### Function: USB interface, module powered by H1

- JP7: Open
- JP9/RJP9: Closed
- JP10/RJP10: Open

**Note:** Module is powered from the host supply by the power pin of H1. As soon as power is applied by the host to the power pin of H1 the module will boot. The host power fed into the power pin of H1 is fed out the power pin of the FBSCAB connector. The USB power is isolated from the power pin of H1, so that the host power fed into the power pin of H1 has no risk of "back powering" the host's USB port. This configuration will allow a message to be shown immediately when host power is applied ("System booting" or similar) without the delay of the operating system enabling the USB port.

#### Function: Serial interface, module powered by H1 (default setting for CFA635-xxx-KL / KS)

- JP7: Open
- JP9/RJP9: Closed
- JP10/RJP10: Open

**Note:** Module is powered from the host supply by the power pin of H1. As soon as power is applied by the host to the power pin of H1 the module will boot. The host power fed into the power pin of H1 is fed out the power pin of the FBSCAB connector.

### 3.4. CFA635-XXX-KS Construction

The CFA635-xxx-KS consists of a CFA635-xxx-KL with an attached CFA-RS232 level translator. For more information, please see [Power Connection to Host](#).



Figure 5. Angled View of CFA-RS232 Level Translator Mounted on CFA635-xxx-KL



Figure 6. Side View of CFA-RS232 Level Translator Mounted on CFA635-xxx-KL



### 3.5. Optical Characteristics

Item	Symbol	Condition	Min	Typ	Max	Direction
Viewing Angle (12 o'clock is the preferred direction for this module)	$\theta$	$CR \geq 2$	40°	—	—	above, 12 o'clock
	$\theta$	$CR \geq 2$	20°	—	—	below, 6 o'clock
	$\theta$	$CR \geq 2$	30°	—	—	right, 3 o'clock
	$\theta$	$CR \geq 2$	30°	—	—	left, 9 o'clock
Contrast Ratio	CR	—	—	10	15	—
Response Time	T rise	—	—	80	160	ms
	T fall	—	—	100	200	ms

### 3.6. LED Backlight Information

The backlights used in the CFA635 are designed for a very long life, but their lifetime is finite. To conserve the LED lifetime and reduce power consumption you can dim or turn off the backlights during periods of inactivity.

## 4. Electrical Specifications

### 4.1. System Block Diagram

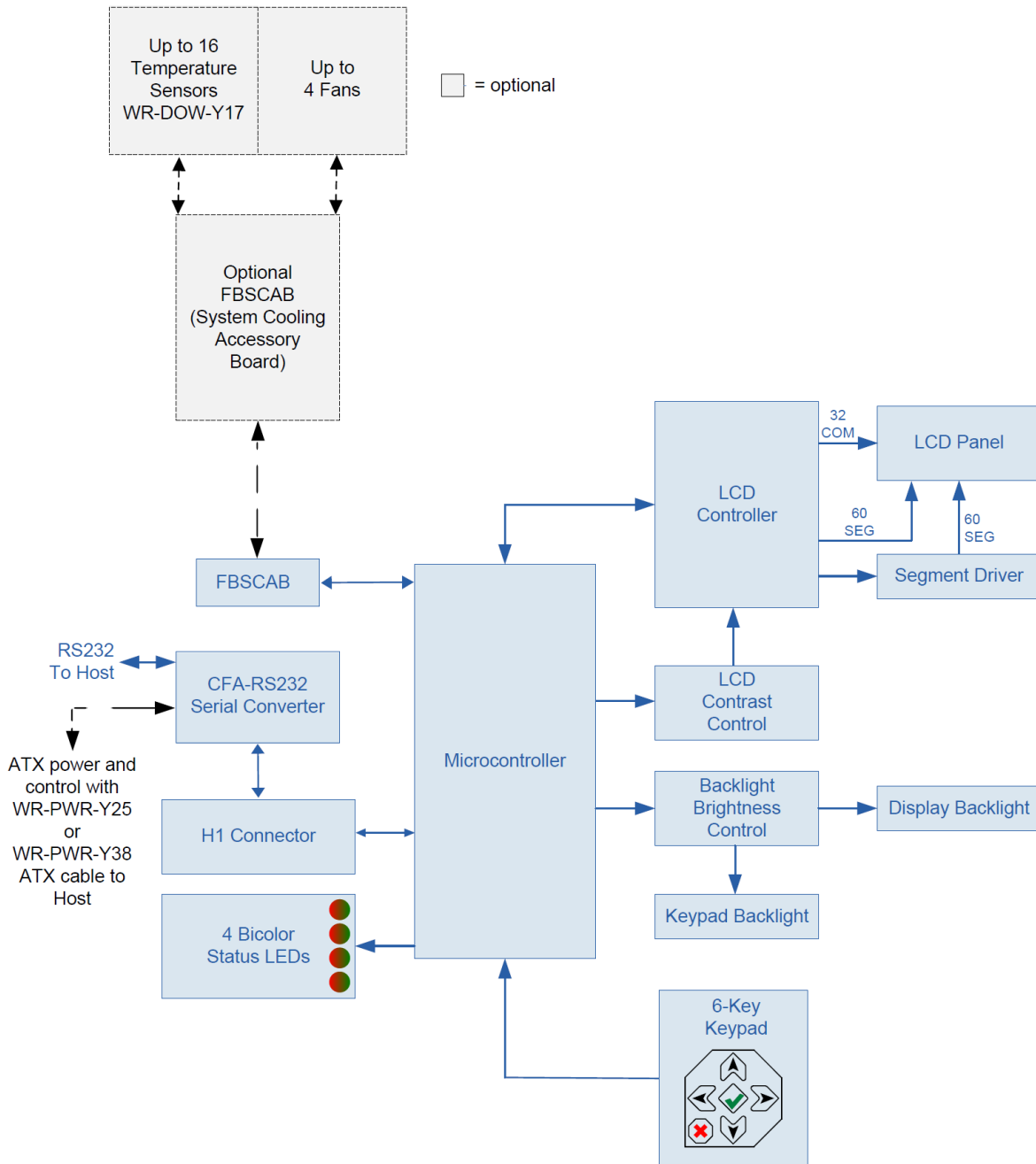


Figure 5. System Block Diagram

#### 4.2. Absolute Maximum Ratings

Absolute Maximum Ratings	Symbol	Minimum	Maximum
Operating Temperature	$T_{OP}$	-20°C	+70°C
Storage Temperature	$T_{ST}$	-30°C	+80°C
Humidity Range (Non-condensing)	RH	10%	90%
Supply Voltage for Logic	$V_{DD}$	-0.3v	+5.5v
Input and Output Pins for CFA-RS232 Serial (for CFA635-xxx-KS only)			
CFA-RS232 Input Pin	$V_{RX}$	-25v	+25v
CFA-RS232 Output Pin	$V_{TX}$	-13v	+13v
Please note that these are stress ratings only. Extended exposure to the absolute maximum ratings listed above may affect device reliability or cause permanent damage. Functional operation of the module at these conditions beyond those listed under DC Characteristics is not implied. Changes in temperature can result in changes in contrast.			

#### 4.3. DC Characteristics

Specifications	Symbol	Minimum	Typical	Maximum
Supply Voltage	$V_{DD}$	+3.0v	+3.3V or +5.0v	+5.5v
GPIO Input High Voltage	$V_{IH}$	+1.85v		$V_{DD}$
GPIO Input Low Voltage	$V_{IL}$	$V_{SS}$ (0v)		+1.3v
GPIO Output High Voltage (@ 8mA)	$V_{OH}$	+2.9v		
GPIO Input Low Voltage (@ 8mA)	$V_{OL}$			+0.4v
CFA-RS232 Input High Voltage	$V_{IH}$	+2.1v		$V_{DD}$
CFA-RS232 Input Low Voltage	$V_{IL}$	$V_{SS}$		+0.8v



#### 4.4. Typical Current Consumption

Variables that affect current consumption include the module's backlight color, the brightness of backlights, the brightness of the four status lights, the power supply voltage, and connection of the optional [FBSCAB](#).

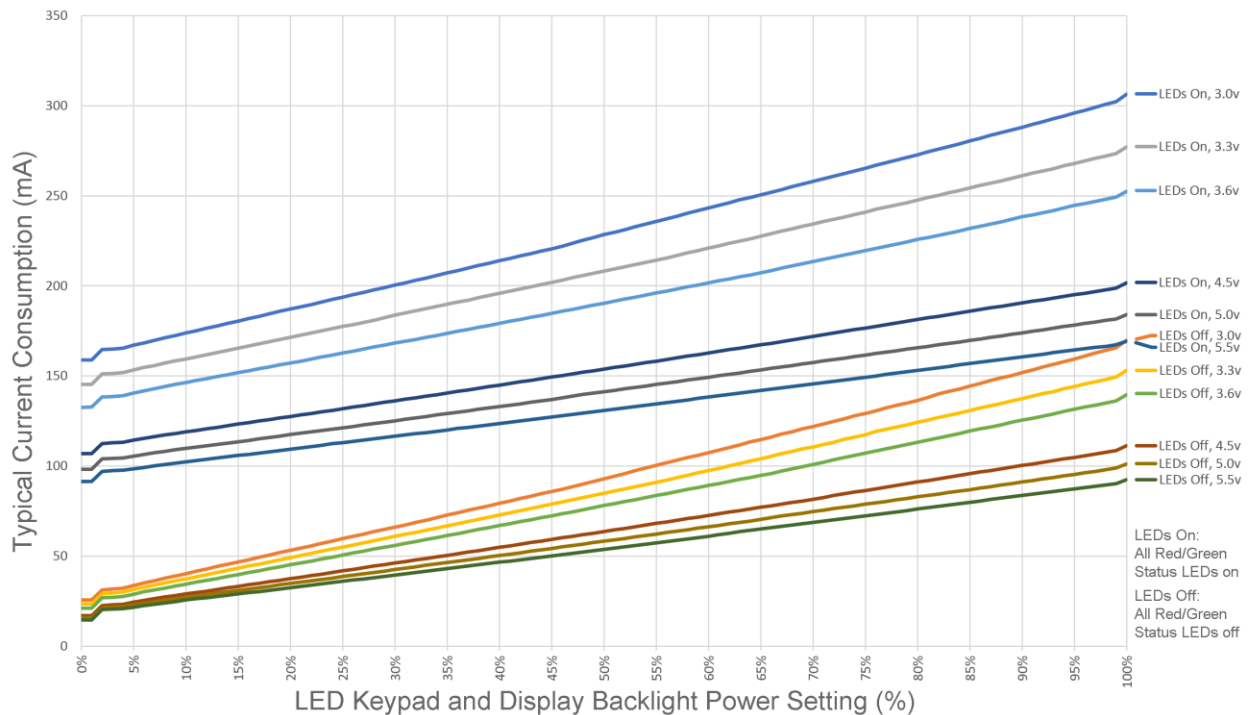
In general:

- the lower the supply voltage, the higher the current
- the brighter the backlight, the higher the current
- the more status LEDs illuminated, the higher the current

CFA635-TFK-KL [CFA-635](#) and CFA635-TML-KL [CFA-635](#)

Items Enabled			Typical Current Consumption	
Logic	LCD and Keypad Backlights at 100%	All Status LEDs 4 Red + 4 Green at 100%	V <sub>DD</sub> =+3.3v	V <sub>DD</sub> =+5.0v
X	-	-	24 mA	16 mA
X	X	-	153 mA	101 mA
X	-	X	145 mA	98 mA
X	X	X	277 mA	184 mA

**Current vs Supply Voltage, white backlight (CFA635-TFK-KL / CFA635-TML-KL)**

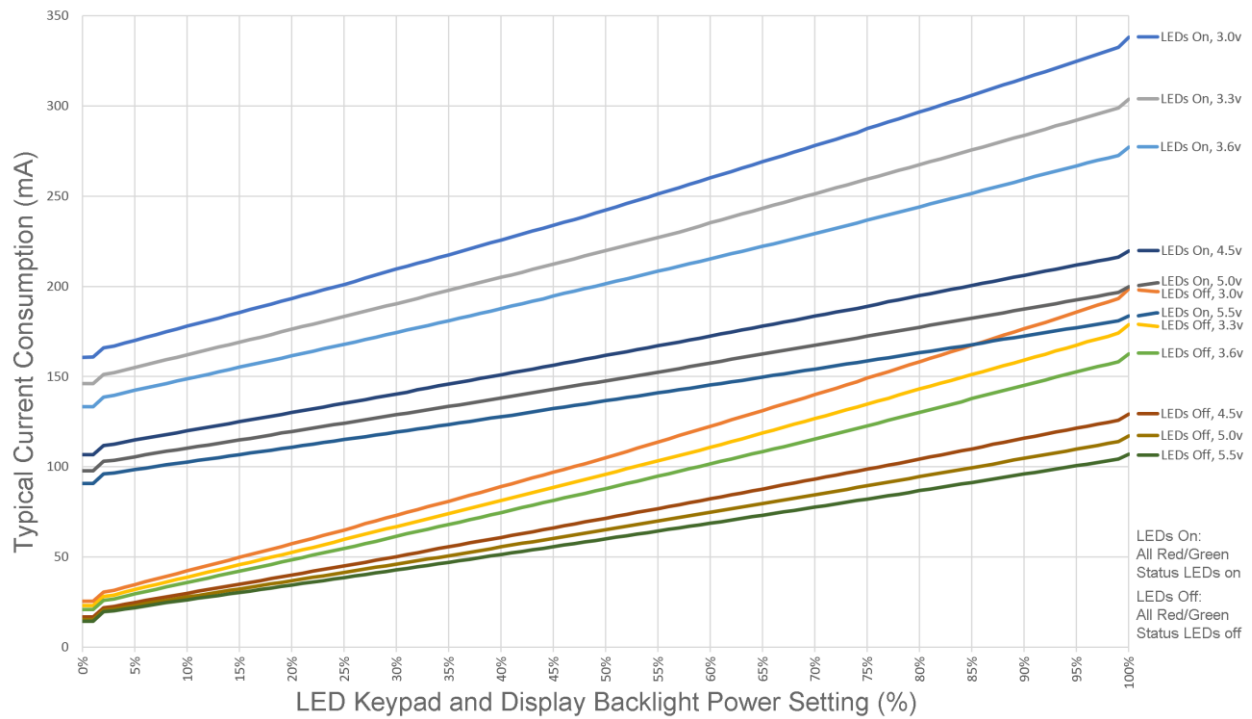




**CFA635-YYK-KL** CFA-635

Items Enabled			Typical Current Consumption	
Logic	LCD and Keypad Backlights at 100%	All Status LEDs 4 Red + 4 Green at 100%	V <sub>DD</sub> =+3.3v	V <sub>DD</sub> =+5.0v
X	-	-	23 mA	15 mA
X	X	-	179 mA	117 mA
X	-	X	146 mA	98 mA
X	X	X	304 mA	200 mA

**Current vs Supply Voltage, yellow backlight (CFA635-YYK-KL)**



#### 4.5. GPIO Current Limits

Typical GPIO Current Limits	Specification
Sink	25mA
Source	25mA

#### 4.6. Fan Criteria (Using Optional FBSCAB)

Fan Criteria	Specification
Fan Tachometer Speed Range (assuming two PPR <sup>1</sup> )	600 RPM to 3,000,000 RPM
Fan Power Control PWM <sup>2</sup> Frequency	18 Hz nominal
<sup>1</sup> PPR is Pulses Per Revolution, can also written as p/r. <sup>2</sup> PWM is Pulse Width Modulation.	

#### 4.7. CFA-RS232 Characteristics

Signals on Header J_CFA-RS232				
Specification	Symbol	Minimum	Typical	Maximum
CFA-RS232 Input Voltage Range		-15v		+15v
CFA-RS232 Input High Voltage	V <sub>IH-RS232</sub>	+2.4v		
CFA-RS232 Input Low Voltage	V <sub>IL-RS232</sub>			+0.8v
CFA-RS232 Output Voltage Swing		±5.0v	±5.4v	

#### 4.8. Serial ESD Specifications

ESD (Electro-Static Discharge) Specifications for Tx and Rx pins of connector J1 on the CFA-RS232 only:

- 15 kV Human Body Model
- 15 kV IEC1000-4-2 Air Discharge
- 8 kV IEC1000-4-2 Contact Discharge

The remainder of the CFA635 circuitry is industry standard CMOS logic and susceptible to ESD damage. Please use industry standard antistatic precautions as you would for any other static sensitive devices such as expansion cards, motherboards, or integrated circuits. Ground your body, work surfaces, and equipment.

## 5. Connection Information

### 5.1. Connection of CFA-RS232 to CFA635-xxx-KL

- Connect the H2 of the CFA-RS232 into H1 of the CFA635-xxx-KL
- Connections that you would normally make to H1 of the CFA635-xxx-KL can now be made at the H1 connector of the CFA-RS232
- J1 of the CFA-RS232 connects to the RS232 port of your host system

H2 on CFA-RS232  
connects to H1 on CFA635

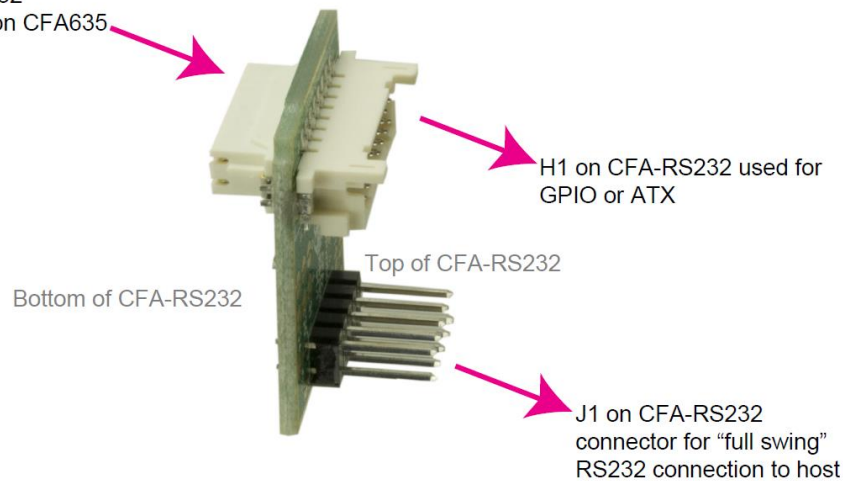


Figure 8. CFA-RS232 Level Translator

### 5.2. CFA-RS232 H1 Pin Assignments

When the CFA-RS232 is connected to a CFA635-xxx-KL, converting it to a CFA635-xxx-KS, H1 on CFA-RS232 passes through the power, ground, and GPIO/ATX pins from the CFA635. You may make a mating cable for the CFA-RS232 H1 by using the following parts:

- 16-position housing: Hirose DF11-16DS-2C / [Digi-Key H2025-ND](#).
- Terminal: Hirose DF11-2428SC / [Digi-Key H1504-ND](#).
- Pre-terminated interconnect wire: Hirose / [Digi-Key H3BBT-10112-B4-ND](#) (typical).

Please see the commands [34 \(0x22\) Set or Set and Configure GPIO Pins](#) and [35 \(0x23\): Read GPIO and GPO Pin Levels and Configuration State](#), for details on how to control the GPIOs.

Below is a photo that shows the power, ground, and GPIO/ATX pins available on the CFA-RS232 H1.

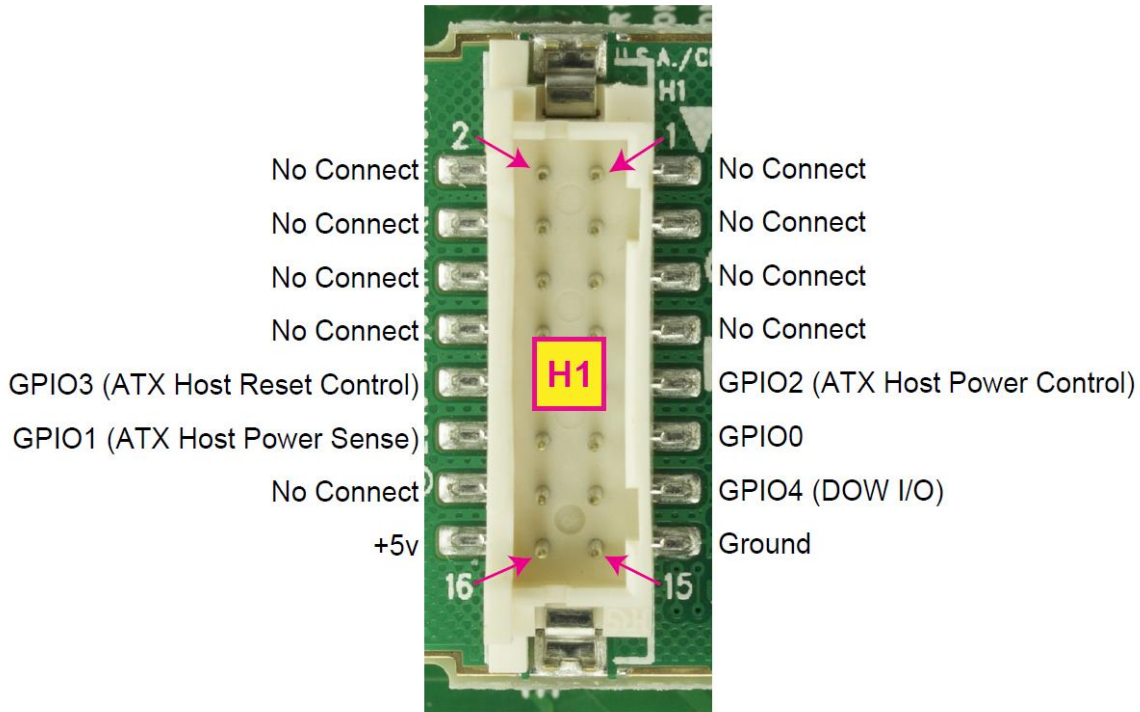


Figure 9. CFA-RS232 H1 Pin Assignments When Mounted to CFA635-xxx-KL

### 5.1. Power Connection to Host

Choose one of these methods to supply power to the CFA635-xxx-KS:

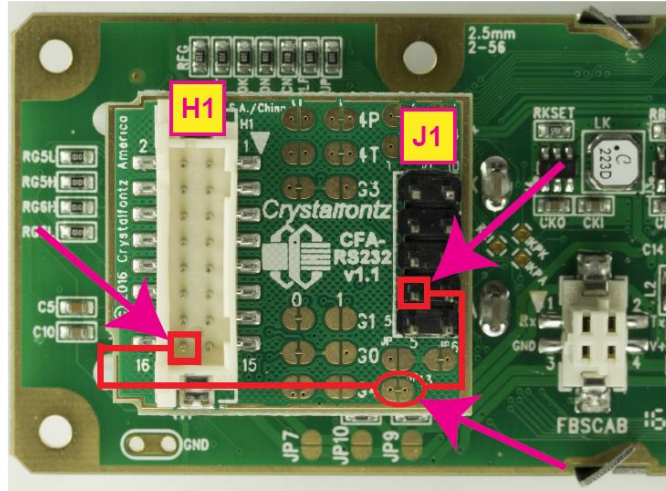
- Use a [WR-PWR-Y24](#) cable or other cable / connection to provide power through H1 on the CFA-RS232 level translator (typical of a PC or server installation).
- Supply power through pin 4 of J1 on the CFA-RS232 level translator as shown in the photo below. To enable +5v to be supplied through J1, jumper JP13 is closed on the CFA-RS232 by default.

For embedded systems or high volume production applications where you would like to minimize connections, you may want to use a single cable to carry both CFA-RS232 communications and power. The +5v power can be supplied through connector J1 on the CFA-RS232 level translator, allowing a single cable to contain both power and data connections.

The four connections needed to operate the CFA635-xxx-KS are on a single column of pins on J1 that allows a single 0.1-inch spacing 4-conductor cable to connect between the CFA635-xxx-KS (CFA635-xxx-KL+CFA-RS232), and your embedded system.



Pin 16 on H1 of the CFA-RS232 may be used to supply power to the CFA635.



JP13 is closed by default, allowing the module to be powered by pin 4 on J1.

Figure 11. CFA635-xxx-KS Power Connection to Host Through H1 or J1 of CFA-RS232

### 5.2. FBSCAB Connection (Optional)

The optional FBSCAB is designed to connect to the CFA635's FBSCAB connector.

The photo below shows the CFA635 connected to the optional FBSCAB using the [WR-EXT-Y37](#) cable:

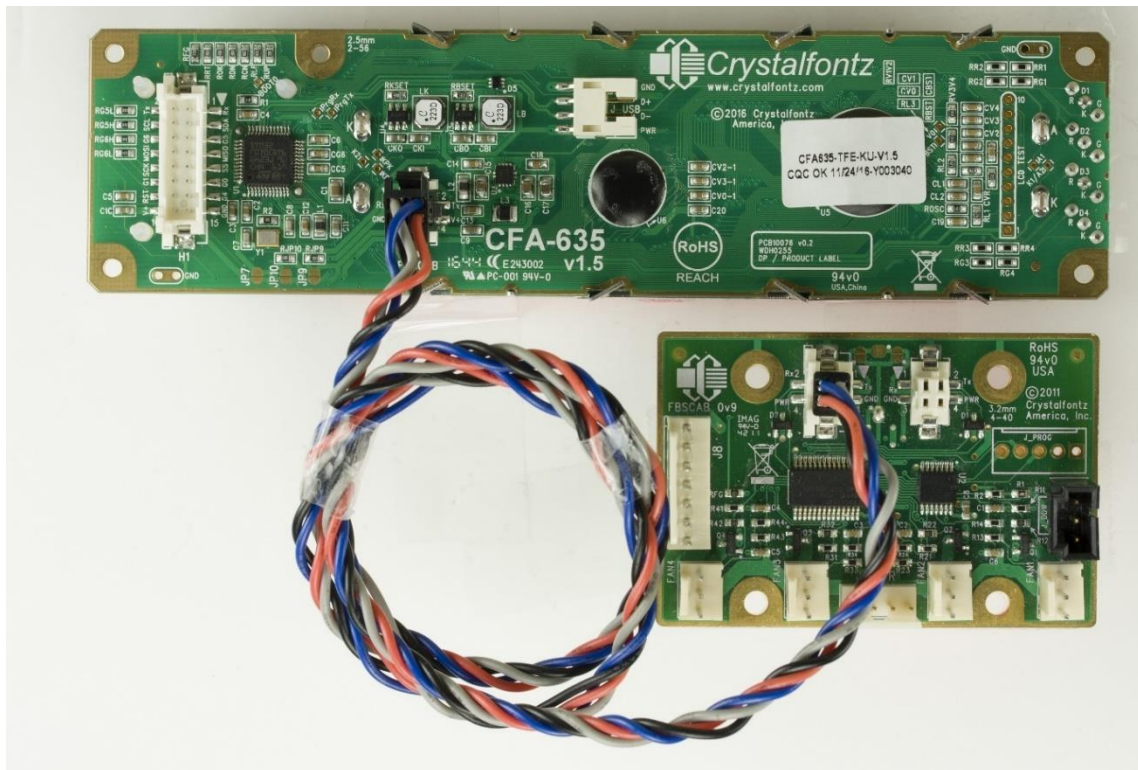


Figure 10. CFA635 Connected to Optional FBSCAB with WR-EXT-Y37 Cable

## 6. ATX Power Supply Control

### 6.1. Introduction

ATX Power Supply control functionality allows the buttons on the CFA635-xxx-KS to replace the power and reset buttons on your system, simplifying your front panel design. This ATX Power Supply control functionality can be accomplished with the optional [WR-PWR-Y25](#) or [WR-PWR-Y38](#) cables, or you may make your own cables.

**Note:** The GPIO pins used for ATX control must not be configured as user GPIO. The GPIO pins must be configured to their default drive mode in order for the ATX functions to work correctly. These settings are factory default, but may have been changed by the user. Please see command [34 \(0x22\): Set or Set and Configure GPIO Pins](#).

In ATX configuration, the CFA635-xxx-KS is powered from the PC's  $V_{SB}$  signal (the “stand-by” or “always-on” +5v of your ATX Power Supply), which is connected to pin 15 ( $V_{SB}$ ) of H1. Ground is supplied to pin 16 of H1.

#### GPIO[1] ATX Host Power Sense

Since the CFA635-xxx-KS must act differently depending on whether the host's power supply is on or off, you must connect the host's “switched +5v” to GPIO[1]. This GPIO line functions as POWER SENSE. The POWER SENSE pin is configured as an input with a pull-down, 25k $\Omega$  nominal.

#### GPIO[2] ATX Host Power Control

The motherboard's power switch input is connected to GPIO[2]. This GPIO line functions as POWER CONTROL. The POWER CONTROL pin is configured as a high impedance input until the LCD module instructs the host to turn on or off. Then it will change momentarily to low impedance output, driving either low or high depending on the setting of POWER\_INVERT. See command [28 \(0x1C\): Set ATX Power Switch Functionality](#).

#### GPIO[3] ATX Host Reset Control

The motherboard's reset switch input is connected to GPIO[3]. This GPIO line functions as RESET. The RESET pin is configured as a high-impedance input until the LCD module wants to reset the host. Then it will change momentarily to low impedance output, driving either low or high depending on the setting of RESET\_INVERT. See command [28 \(0x1C\): Set ATX Power Switch Functionality](#). This connection is also used for the hardware watchdog.

ATX Connections	Pins on Connector H1
$V_{SB}$ +5v	Pin 16
Ground	Pin 15
GPIO[1] ATX Host Power Sense	Pin 12
GPIO[2] ATX Host Power Control	Pin 9
GPIO[3] ATX Host Reset Control	Pin 10

## 6.2. Connection Using WR-PWR-Y25 or WR-PWR-Y38 Cables

The Crystalfontz [WR-PWR-Y25](#) and the [WR-PWR-Y38](#) cables allow ATX power control connections through J1 on the CFA-RS232 when it is mounted to a CFA635-xxx-KS (CFA635-xxx-KL+CFA-RS232).

The photo below shows the CFA635-xxx-KS (CFA635-xxx-KL+CFA-RS232) with the Crystalfontz WR-PWR-Y25 cable connected to the H1 connector on the CFA-RS232.

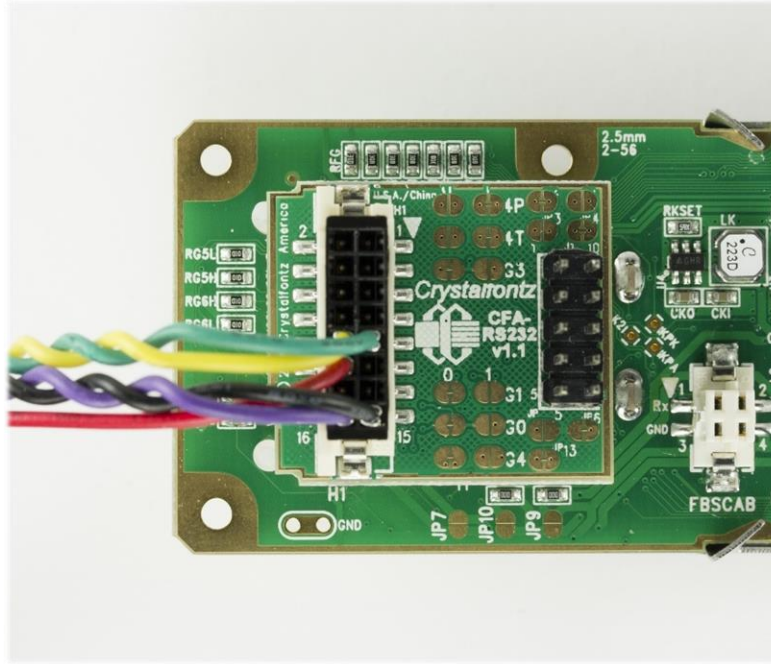


Figure 12. ATX Connection Through H1 on the CFA-RS232 Using WR-PWR-Y25 Cable



The illustration below shows how the Crystalfontz WR-PWR-Y25 or WR-PWR-Y38 ATX cables connect to the CFA635-xxx-KS (CFA635-xxx-KL+CFA-RS232) J1 connector and your system's host and ATX Power Supply:

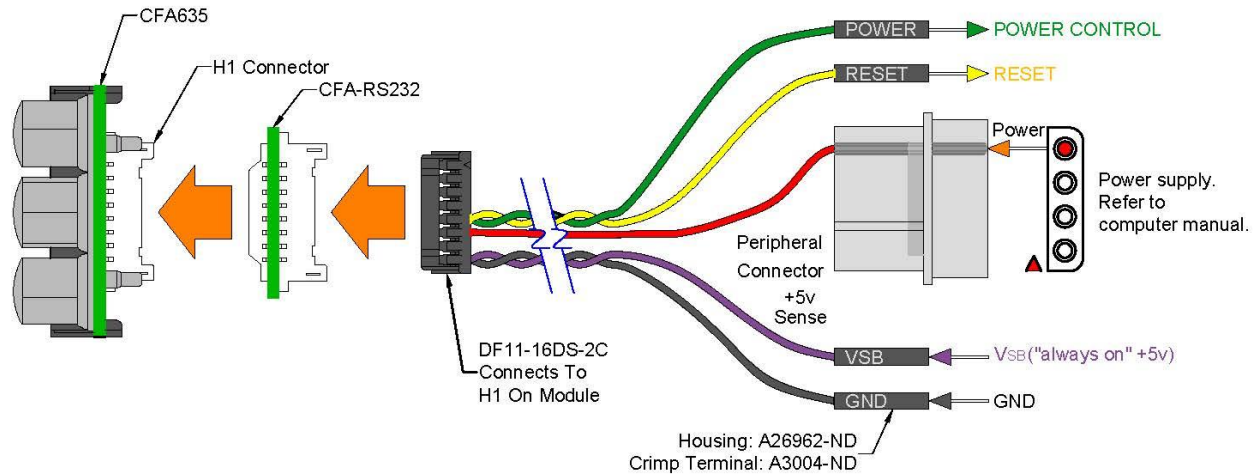


Figure 13. ATX Connection Using WR-PWR-Y25 or WR-PWR-Y38 Cable

**Note:** If you select "Make module ATX" when you select "Customize and Add to Cart" during checkout, the module will be configured correctly for ATX using the command below.

```
command = 28 // Set ATX Switch Functionality length = 1
data[0] = 241 // Enables:
                // KEYPAD_POWER_OFF
                // KEYPAD_POWER_ON
                // KEYPAD_RESET
                // LCD_OFF_IF_HOST_IS_OFF
                // AUTO_POLARITY
```

## 7. Host Communications

### 7.1. Introduction

CFA635-xxx-KS communicates with its host using a CFA-RS232 interface. The port settings are 115200 baud, 8 data bits, no parity, 1 stop bit by default. The speed can be set to 19200 baud under software control, see command [33 \(0x21\): Set Baud Rate](#).

### 7.2. Packet Structure

All communication between the CFA635 and the host takes place in the form of a simple, robust CRC checked packet. The packet format allows for very reliable communications between the CFA635 and the host without the traditional problems that occur in a stream-based serial communication such as having to send data in inefficient ASCII format, to “escape” certain “control characters”, or losing sync if a character is corrupted, missing, or inserted.

Reconciling packets is recommended rather than using delays when communicating with the module. To reconcile your packets, please ensure that you have received the acknowledgement packet before sending any additional packets.

All packets have the following structure:

`<type><data_length><data><CRC>`

`<type>` is one byte, and identifies the type and function of the packet:

```
TTcc cccc
|||| ||||--Command, response, error or report code 0-63
||-----Type:
    00 = normal command from host to CFA635
    01 = normal response from CFA635 to host
    10 = normal report from CFA635 to host (not in
        direct response to a command from the host)
    11 = error response from CFA635 to host (a packet
        with valid structure but illegal content
        was received by the CFA635)
```

`<data_length>` specifies the number of bytes that will follow in the data field.

The valid range of `<data_length>` is 0 to 22.

`<data>` is the payload of the packet. Each type of packet will have a specified `<data_length>` and format for `<data>` as well as algorithms for decoding data detailed below.

CRC is a standard 16-bit CRC of all the bytes in the packet except the CRC itself. The CRC is sent LSB first. At the port, the CRC immediately follows the last used element of `data[ ]`. [See Appendix A: Demonstration Software and Sample Code](#) for details.

The following C definition may be useful for understanding the packet structure.

```
typedef struct
{
    unsigned char command;
    unsigned char data_length;
    unsigned char data[MAX_DATA_LENGTH];
    unsigned short CRC;
} COMMAND_PACKET;
```

Crystalfontz supplies a demonstration and test program, [cfTest](#), that can be used to experiment with and test the CFA635's operation. We also offer [635WinTest](#), which is a simpler, open-source program. Included in the 635WinTest source is a CRC algorithm and an algorithm that detects and reconciles packets. The algorithm will automatically re-synchronize to the next valid packet in the event of any communications errors. Please follow the algorithm in the sample code closely in order to realize the benefits of using the packet communications.

### 7.3. About Handshaking

The nature of CFA635's packets makes it unnecessary to implement traditional hardware or software handshaking.

The host should wait for a corresponding acknowledge packet from the CFA635 before sending the next command packet. The CFA635 will respond to all packets within 250 mS. The host software should stop waiting and retry the packet if the CFA635 fails to respond within 250 mS. The host software should report an error if a packet is not acknowledged after several retries. This situation indicates a hardware problem – for example, a disconnected cable.

Please note that some operating systems may introduce delays between when the data arrives at the physical port from the CFA635 until it is available to the user program. In this case, the host program may have to increase its timeout window to account for the additional overhead of the operating system.

The CFA635 can be configured to send several types of report packets along with regular acknowledge packets. The host should be able to buffer several incoming packets and must guarantee that it can process and remove packets from its input buffer faster than the packets can arrive given the baud rate and the reporting configuration of the CFA635. For any modern PC using reasonably efficient software, this requirement will not pose a challenge.

The report packets are sent asynchronously with respect to the command packets received from the host. The host should not assume that the first packet received after it sends a command is the acknowledge packet for that command. The host should inspect the `type` field of incoming packets and process them accordingly.

### 7.4. Report Codes

The CFA635 can be configured to report three items. The CFA635 sends reports automatically when the data becomes available. Reports are not sent in response to a particular packet received from the host. The three report types are, Key Activity, Fan Speed Report and Temperature Sensor Report.

#### 0x80: Key Activity

If a key is pressed or released, the CFA635 sends a Key Activity report packet to the host. Key event reporting may be individually enabled or disabled by command [23 \(0x17\): Configure Key Reporting](#).

Report packet format:

```
type = 0x80
data_length = 1
data[0] = type of keyboard activity:
KEY_UP_PRESS          1
KEY_DOWN_PRESS        2
KEY_LEFT_PRESS        3
KEY_RIGHT_PRESS       4
KEY_ENTER_PRESS       5
KEY_EXIT_PRESS        6
KEY_UP_RELEASE        7
KEY_DOWN_RELEASE      8
KEY_LEFT_RELEASE      9
KEY_RIGHT_RELEASE    10
KEY_ENTER_RELEASE    11
KEY_EXIT_RELEASE     12
```



### 0x81: Fan Speed Report (FBSCAB Required)

If any of the fans connected to CFA635-xxx-KS +[FBSCAB](#) is configured to report its speed information to the host, the CFA635-xxx-KS will send Fan Speed Reports for each selected fan every 1/2 second, please see command [16 \(0x10\): Set Up Fan Reporting](#).

Report packet format:

```
type = 0x81
data_length = 4
data[0] = index of the fan being reported:
    0 = FAN 1
    1 = FAN 2
    2 = FAN 3
    3 = FAN 4
data[1] = number_of_fan_tach_cycles
data[2] = MSB of Fan_Timer_Ticks
data[3] = LSB of Fan_Timer_Ticks
```

If the FBSCAB module is disconnected, data[1], data[2], and data[3] will be returned with values of 0.

The following C function will decode the fan speed from a Fan Speed Report packet into RPM:

```
int OnReceivedFanReport(COMMAND_PACKET *packet, char *output)
{
    int return_value = 0;
    int number_of_fan_tach_cycles = packet->data[1];

    if (number_of_fan_tach_cycles < 3)
        sprintf(output, " STOP");
    else if (number_of_fan_tach_cycles < 4)
        sprintf(output, " SLOW");
    else if (0xFF == number_of_fan_tach_cycles)
        sprintf(output, " ----");
    else
    {
        //Specific to each fan, most commonly 2 PPR
        int pulses_per_revolution = 2;
        int fan_timer_ticks = (*(unsigned short *)(&(packet->data[2])));
        return_value = ((27692308L/pulses_per_revolution)*
            (unsigned long)(number_of_fan_tach_cycles-3))/
            (fan_timer_ticks);
        sprintf(output, "%5d", return_value);
    }
    return(return_value);
}
```



## 0x82: Temperature Sensor Report (FBSCAB Required)

If any of the temperature sensors connected to the CFA635-xxx-KS+[FBSCAB](#) are configured to report to the host, the CFA635-xxx-KS+[FBSCAB](#) will send Temperature Sensor Reports for each selected sensor every second, please see the command [19 \(0x13\): Set Up Temperature Reporting](#).

Report packet format:

```
type = 0x82
data_length = 4
data[0] = index of the temperature sensor being reported:
    0 = temperature sensor 1
    1 = temperature sensor 2
    . . .
    15 = temperature sensor 16
data[1] = MSB of Temperature_Sensor_Counts
data[2] = LSB of Temperature_Sensor_Counts
data[3] = DOW_crc_status
```

If a DOW sensor error occurs, data[3] will be returned with a value of 0.

The following C function will decode the Temperature Sensor Report packet into °C and °F:

```
void OnReceivedTempReport(COMMAND_PACKET *packet, char *output)
{
    //First check the DOW CRC return code from the CFA635
    if(packet->data[3]==0)
        strcpy(output, "BAD CRC");
    else
    {
        double degc = (*(short*)&(packet->data[1]))/16.0;
        double degf = (degc*9.0)/5.0+32.0;
        sprintf(output, "%9.4f°C =%9.4f°F", degc, degf);
    }
}
```

## 7.5. Command Codes

Below is a list of valid commands for the CFA635. Each command packet is answered by either a response packet or an error packet. The low 6 bits of the type field of the response or error packet is the same as the low 6 bits of the `type` field of the command packet being acknowledged.

### 0 (0x00): Ping Command

The CFA635 will return the Ping Command to the host.

Request packet format:

```
type: 0x00 = 010
data_length = 0 to 16
data[] = up to 16 bytes of arbitrary data
```

Successful return packet format:

```
type: 0x40 | 0x00 = 0x40 = 6410
data_length = (identical to received packet)
data[] = (identical to received packet)
```

### 1 (0x01): Get Hardware & Firmware Version

The CFA635 will return the hardware and firmware version information to the host.

Request packet format:

```
type: 0x01 = 110
data_length = 0
```

Successful return packet format:

```
type: 0x40 | 0x01 = 0x41 = 6510
data_length = 16
data[] = "CFA635:h1.5,u2.1"
```

### 2 (0x02): Write User Flash Area

The CFA635 reserves 16 bytes of nonvolatile memory for arbitrary use by the host. This memory can be used to store a serial number, IP address, gateway address, netmask, or any other data required. All 16 bytes must be supplied.

Request packet format:

```
type: 0x02 = 210
data_length = 16
data[] = 16 bytes of arbitrary user data to be stored in the CFA635's non-
volatile memory
```

Successful return packet format:

```
type: 0x40 | 0x02 = 0x42 = 6610
data_length = 0
```

### 3 (0x03): Read User Flash Area

This command will read the User Flash Area and return the data to the host.

Request packet format:

```
type: 0x03 = 310
data_length = 0
```

Successful return packet format:

```
type: 0x40 | 0x03 = 0x43 = 6710
data_length = 16
```



`data[] = 16 bytes user data recalled from the CFA635's non-volatile memory`

#### **4 (0x04): Store Current State as Boot State**

The CFA635 loads its power-up configuration from nonvolatile memory when power is applied. The CFA635 is configured at the factory to display a “welcome” screen when power is applied. This command can be used to customize the “welcome” screen, as well as the following items:

- Characters shown on LCD, which are affected by:
  - Command 6 (0x06): Clear LCD Screen.
  - Command 31 (0x1F): Send Data to LCD.
- Special character font definitions (Command 9 (0x09): Set LCD Special Character Data).
- Cursor position (Command 11 (0x0B): Set LCD Cursor Position).
- Cursor style (Command 12 (0x0C): Set LCD Cursor Style).
- Contrast setting (Command 13 (0x0D): Set LCD Contrast).
- Backlight setting (Command 14 (0x0E): Set LCD & Keypad Backlight).
- Fan power settings (Command 17 (0x11): Set Fan Power).
- Key press and release masks (Command 23 (0x17): Configure Key Reporting).
- Fan glitch delay settings (Command 26 (0x1A): Set Fan Tachometer Glitch Filter).
- ATX function enable and pulse length settings (command 28 (0x1C): Set ATX Power Switch).
- Baud rate (Command 33 (0x21): Set Baud Rate).
- GPIO settings (Command 34 (0x22): Set or Set and Configure GPIO Pins).

You cannot store the fan or temperature. You cannot store the fan fail-safe or host watchdog. The host software should enable these items once the system is initialized and it is ready to receive the data.

Request packet format:

```
type: 0x04 = 410  
data_length = 0
```

Successful return packet format:

```
type: 0x40 | 0x04 = 0x44 = 6810  
data_length = 0
```

If the current state and the boot state do not match after saving, the module will return an error instead of an ACK. In this unlikely error case, the boot state will be undefined.



## 5 (0x05): Reboot CFA635, Reset Host, or Power Off Host

This command instructs the CFA635 with ATX to simulate a power-on restart of itself, reset the host, or turn the host's power off. The ability to reset the host may be useful to allow certain host operating system configuration changes to complete. The ability to turn the host's power off under software control may be useful in systems that do not have Advanced Configuration and Power Interface (ACPI), compatible BIOS. ACPI is an industry specification for the efficient handling of power consumption in desktop and mobile computers.

Note: The GPIO pins used for ATX control must not be configured as user GPIO, and must be configured to their default drive mode in order for the ATX functions to work correctly. These settings are factory default, but may be changed by the user, see command [34 \(0x22\): Set or Set and Configure GPIO Pins](#).

- **CFA635 Module Reboot**

Rebooting the CFA635 may be useful when testing the boot configuration. It may also be useful to re-enumerate connected devices on the 1-Wire bus (ie, [WR-DOW-Y17](#) temperature sensors). The CFA635 will return the acknowledge packet immediately; then reboot itself.

At boot-up, there is up to a 500-millisecond delay between power-on and turning on the fans. By default, all fans are set to "on" at 100%. If you are not using a fan, set power to 0% (command [17 \(0x11\): Set Fan Power](#)), and saving this setting as the default boot state (command [4 \(0x04\): Store Current State as Boot State](#)).

Request packet format:

```
type: 0x05 = 510
data_length = 3
data[0] = 8
data[1] = 18
data[2] = 99
```

- **Host Reset**

This command option will reset the host, assuming the host's reset line is connected to GPIO[3] as described in command [28 \(0x1C\): Set ATX Power Switch Functionality](#).

The CFA635 will return the acknowledge packet immediately, then reset the host. After resetting the host (~1.5 seconds), the module will reboot itself. The module will not respond to new command packets for up to 3 seconds (~4.5 seconds overall) after its reboot.

Request packet format:

```
type: 0x05 = 510
data_length = 3
data[0] = 12
data[1] = 28
data[2] = 97
```





- **Host Power-Off**

This command option will turn the host's power off, assuming the host's power control line is connected to GPIO[2] as described in command [28 \(0x1C\): Set ATX Power Switch Functionality](#).

The CFA635 will return the acknowledge packet immediately, then power cycle the host. The power cycle length is dependent on the length of the power pulse (command [28 \(0x1C\): Set ATX Power Switch Functionality](#)). After power cycling the host, the module will reboot itself. The module will not respond to new command packets for up to 3 seconds after its reboot

Request packet format:

```
type: 0x05 = 510
data_length = 3
data[0] = 3
data[1] = 11
data[2] = 95
```

In all of the above cases, Successful return packet format:

```
type: 0x40 | 0x05 = 0x45 = 6910
data_length = 0
```

### 6 (0x06): Clear LCD Screen

Sets the contents of the LCD screen DDRAM to ' '=0x20=32 and moves the cursor to the left-most column of the top line.

The LCD contents is one of the items stored by the command [4 \(0x04\): Store Current State as Boot State](#).

Request packet format:

```
type: 0x06 = 610
data_length = 0
```

Successful return packet format:

```
type: 0x40 | 0x06 = 0x46 = 7010
data_length = 0
```

### 9 (0x09): Set LCD Special Character Data

Sets the font definition for one of the special characters (CGRAM).

Set LCD Special Character Data is one of the items stored by the command [4 \(0x04\): Store Current State as Boot State](#).

Request packet format:

```
type: 0x09 = 910
data_length = 9
data[0] = index of special character to modify (0-7 valid)
data[1-8] = bitmap of the new font for this character
    data[1] is at the top of the cell.
    data[8] is at the bottom of the cell.
    any value is valid between 0 and 63.
    the msb is at the left of the character cell
    lsb is at the right of the character cell.
```

Successful return packet format:

```
type: 0x40 | 0x09 = 0x49 = 7310
data_length = 0
```

### 10 (0x0A): Read 8 Bytes of LCD Memory



This command will return the contents of the LCD's DDRAM or CGRAM. This command is intended for debugging.

**Note:** Firmware version prior to v1.9 did not return the address code.

Request packet format:

```
type: 0x0A = 1010
data_length = 1
data[0] = LCD address code of desired data
Valid LCD address codes:
  0x40 (64) to 0x7F (127) for CGRAM
  0x80 (128) to 0x93 (147) for DDRAM, line 0
  0xA0 (160) to 0xB3 (179) for DDRAM, line 1
  0xC0 (192) to 0xD3 (211) for DDRAM, line 2
  0xE0 (224) to 0xF3 (243) for DDRAM, line 3
(an error will be returned if address is outside of these values)
```

Successful return packet format:

```
type: 0x40 | 0x0A = 0x4A = 7410
data_length = 9
data[0] requested address code.
data[1-8] requested data read from the LCD controller's memory.
```

### 11 (0x0B): Set LCD Cursor Position

This command allows the cursor to be placed at the desired location on the CFA635's LCD screen. If you want the cursor to be visible, you may also need to send a command 12 (0x0C): Set LCD Cursor Style.

Set LCD Cursor Position is one of the items stored by the command [4 \(0x04\): Store Current State as Boot State](#).

Request packet format:

```
type: 0x0B = 1110
data_length = 2
data[0] = column (0-19 valid)
data[1] = row (0-3 valid)
```

Successful return packet format:

```
type: 0x40 | 0x0B = 0x4B = 7510
data_length = 0
```

### 12 (0x0C): Set LCD Cursor Style

This command allows you to select among four hardware generated cursor options.

Set LCD Cursor Style is one of the items stored by the command [4 \(0x04\): Store Current State as Boot State](#).

**Note:** cursor style 3 behavior is different from previous CFA635 versioned firmware v1.6 and earlier.

Request packet format:

```
type: 0x0C = 1210
data_length = 1
data[0] = cursor style (0-4 valid)
  0 = no cursor.
  1 = blinking block cursor.
  2 = static underscore cursor
  3 = blinking underscore cursor
```

Successful return packet format:

```
type: 0x40 | 0x0C = 0x4C = 7610
data_length = 0
```



### 13 (0x0D): Set LCD Contrast

This command sets the contrast or vertical viewing angle of the display. Initiated by the host, responded to by the CFA635.

Set LCD Contrast is one of the items stored by the command [4 \(0x04\): Store Current State as Boot State](#).

Request packet format:

```
type: 0x0D = 1310
data_length = 1
data[0] = contrast setting (0-254 valid)
    60 = light
    120 = about right
    150 = dark
    151-254 = very dark (may be useful at cold temperatures)
```

Successful return packet format:

```
type = 0x40 | 0x0D = 0x4D = 7710
data_length = 0
```

### 14 (0x0E): Display & Keypad Backlights

Set LCD & Keypad Backlight is one of the items stored by the command [4 \(0x04\): Store Current State as Boot State](#).

If one byte is supplied, both the keypad and LCD backlights are set to that brightness.

Request packet format:

```
type: 0x0E = 1410
data_length = 1
data[0] = keypad and LCD backlight power setting (0-100 valid)
    0 = off
    1-100 = variable brightness
```

If two bytes are supplied, the LCD is set to the brightness of the first byte, the keypad is set to the brightness of the second byte.

Request packet format:

```
type: 0x0E = 1410
data_length = 2
data[0] = LCD backlight power setting (0-100 valid)
    0 = off
    1-100 = variable brightness
data[1] = keypad backlight power setting (0-100 valid)
    0 = off
    1-100 = variable brightness
```

The return packet for both of the above options will be:

```
type: 0x40 | 0x0E = 0x4E = 7810
data_length: 0
```

## 16 (0x10): Set Up Fan Reporting (FBSCAB Required)

This command will configure the CFA635-xxx-KS+[FBSCAB](#) to report the fan speed information to the host every 500 mS.

Reporting a fan will override the fan power setting to 100% for up to 1/8 of a second every 1/2 second. Please see Fan Connections in the [FBSCAB Datasheet](#) for a detailed description.

Request packet format:

```
type = 0x10 = 1610
data_length = 1
data[0] = bitmask indicating which fans are enabled to report (0-15 valid)
---- 8421 Enable Reporting of this Fan's Tach Input
|||| |||||-- Fan 1: 1 = enable, 0 = disable
|||| |||--- Fan 2: 1 = enable, 0 = disable
|||| ||---- Fan 3: 1 = enable, 0 = disable
|||| |----- Fan 4: 1 = enable, 0 = disable
```

Successful return packet format:

```
type = 0x40 | 0x10 = 0x50 = 8010
data_length = 0
```

If `data[0]` is not 0, then the CFA635-xxx-KS+FBSCAB will start sending 0x81: Fan Speed Report packets for each enabled fan every 500 mS, please see [0x81: Fan Speed Report](#). Each of the report packets is staggered by 1/8 of a second.

## 17 (0x11): Set Fan Power (FBSCAB Required)

When power is applied to the CFA635-xxx-KS+FBSCAB+WR-DOW-Y17 temperature sensors, it detects any devices (WR-DOW- Y17) connected to the Dallas Semiconductor 1-Wire (DOW) bus and stores the device's information. This command will allow the host to read the device's information.

Set Fan Power is one of the items stored by the command [4 \(0x04\): Store Current State as Boot State](#).

Request packet format:

```
type = 0x11 = 1710
data_length = 4
data[0] = power level for FAN 1 (0-100 valid)
data[1] = power level for FAN 2 (0-100 valid)
data[2] = power level for FAN 3 (0-100 valid)
data[3] = power level for FAN 4 (0-100 valid)
```

Successful return packet format:

```
type = 0x40 | 0x11 = 0x51 = 8110
data_length = 0
```



### **18 (0x12): Read DOW Device Information (FBSCAB Required)**

When a FBSCAB module is connected to the CFA635-xxx-KS, it detects any devices ([WR-DOW-Y17](#) temperature sensors) connected to the Dallas Semiconductor 1-Wire (DOW) bus and stores the device's information. This command will allow the host to read the device's information.

The first byte returned is the Family Code of the Dallas 1-Wire device.

Request packet format:

```
type: 0x12 = 1810  
data_length = 1  
data[0] = device index (0-15 valid)
```

Successful return packet format:

```
type: 0x40 | 0x12 = 0x52 = 8210  
data_length = 9  
data[0] = device index (0-15 valid)  
data[1-8] = ROM ID of the device
```

If `data[1]` is 0x22 ([DS1822](#) Econo 1-Wire Digital Thermometer temperature sensor) or 0x28 ([DS18B20](#) High Precision 1-Wire Digital Thermometer temperature sensor used on our [WR-DOW-Y17](#)), then that device can be set up to automatically convert and report the temperature every second. See the command [19 \(0x13\): Set Up Temperature Reporting](#).

### 19 (0x13): Set Up Temperature Reporting (FBSCAB Required)

This command will configure the CFA635-xxx-KS to report the temperature information to the host every second.

Any sensor enabled must have been detected as a 0x22 (DS1822 temperature sensor) or 0x28 (DS18B20 temperature sensor) during DOW enumeration. This can be verified by using the command [18 \(0x12\): Read DOW Device Information](#).

Request packet format:

```

type: 0x13 = 1910
data_length = 4
data[0-3] = 32-bit bitmask indicating which temperature sensors fans are
enabled to report (0-255 valid in each location)
  data[0]:
    08 07 06 05 04 03 02 01 Enable Reporting of sensor with index of:
    | | | | | | | | |-- 0: 1 = enable, 0 = disable
    | | | | | | | | |---- 1: 1 = enable, 0 = disable
    | | | | | | | |----- 2: 1 = enable, 0 = disable
    | | | | | | |----- 3: 1 = enable, 0 = disable
    | | | | |----- 4: 1 = enable, 0 = disable
    | | |----- 5: 1 = enable, 0 = disable
    | |----- 6: 1 = enable, 0 = disable
    |----- 7: 1 = enable, 0 = disable
  data[1]:
    16 15 14 13 12 11 10 09 Enable Reporting of sensor with index of:
    | | | | | | | | |-- 8: 1 = enable, 0 = disable
    | | | | | | | | |---- 9: 1 = enable, 0 = disable
    | | | | | | | |----- 10: 1 = enable, 0 = disable
    | | | | | | |----- 11: 1 = enable, 0 = disable
    | | | | |----- 12: 1 = enable, 0 = disable
    | | |----- 13: 1 = enable, 0 = disable
    | |----- 14: 1 = enable, 0 = disable
    |----- 15: 1 = enable, 0 = disable
  data[2]= must be 0
  data[3]= must be 0

```

Successful return packet format:

```

type: 0x40 | 0x13 = 0x53 = 8310
data_length = 0

```

### 20 (0x14): Arbitrary DOW Transaction (FBSCAB Required)

The CFA635-xxx-KS+FBSCAB can function as an CFA-RS232 to Dallas 1-Wire bridge. This command allows you to specify arbitrary transactions on the 1-Wire bus. 1-Wire commands follow this basic layout:

```

<bus reset> //Required
<address_phase> //Must be "Match ROM" or "Skip ROM"
<write_phase> //optional, but at least one of write_phase or read_phase
must be sent
<read_phase> //optional, but at least one of write_phase or read_phase
must be sent

```

Request packet format:

```

type: 0x14 = 2010
data_length = 2 to 16
data[0] = device_index (0-32 valid)
data[1] = number_of_bytes_to_read (0-14 valid)
data[2-15] = data_to_be_written[data_length-2]

```

If `device_index` is 32, then no address phase will be executed. If `device_index` is in the range of 0 to 31, and a 1-Wire device was detected for that `device_index` at power on, then the write cycle will be prefixed with a "Match ROM" command and the address information for that device.

If `data_length` is two, then no specific write phase will be executed (although address information may be written independently of `data_length` depending on the value of `device_index`).

If `data_length` is greater than two, then `data_length-2` bytes of `data_to_be_written` will be written to the 1-Wire bus immediately after the address phase.

If `number_of_bytes_to_read` is zero, then no read phase will be executed. If `number_of_bytes_to_read` is not zero, then `number_of_bytes_to_read` will be read from the bus and loaded into the response packet.

Successful return packet format:

```
type: 0x40 | 0x14 = 0x54 = 8410
data_length = 2 to 16
data[0] = device index (0-31 valid)
data[data_length-2] = data read from the 1-Wire bus
data[data_length-1] = 1-Wire CRC
```

## 22 (0x16): Send Command Directly to the LCD Controller

The controller on the CFA635-xxx-KS is HD44780 compatible. Generally, you won't need low-level access to the LCD controller but some arcane functions of the HD44780 are not exposed by the CFA635's command set. This command allows you to access the CFA635's LCD controller directly.

**Note:** It is possible to corrupt the CFA635 display using this command.

Request packet format:

```
type: 0x16 = 2210
data_length: 2
data[0] = location code
    0 = "Data" register
    1 = "Control" register, RE=0
    2 = "Control" register, RE=1
data[1] = data to write to the selected register
```

Successful return packet format:

```
type: 0x40 | 0x16 = 0x56 = 8610
data_length = 0
```

## 23 (0x17): Configure Key Reporting

By default, the CFA635 reports any key event to the host. This command allows the key events to be enabled or disabled on an individual basis.

The key events set to report are one of the items stored by the command [4 \(0x04\): Store Current State as Boot State](#).

Bitmask options:

```
#define KP_UP          0x01
#define KP_ENTER      0x02
#define KP_CANCEL     0x04
#define KP_LEFT       0x08
#define KP_RIGHT      0x10
#define KP_DOWN       0x20
```

Request packet format:

```
type: 0x17 = 2310
data_length = 2
data[0] = press mask
data[1] = release mask (0 to 63 valid)
```

Successful return packet format:

```
type: 0x40 | 0x17 = 0x57 = 8710  
data_length = 0
```

## 24 (0x18): Read Keypad, Polled Mode

In some situations, it may be convenient for the host to poll the CFA635-xxx-KS for key activity. This command allows the host to detect which keys are currently pressed, which keys have been pressed since the last poll, and which keys have been released since the last poll.

This command is independent of the key reporting masks set by command [23 \(0x17\): Configure Key Reporting](#). All keys are always visible to this command. Typically, both masks of command 23 would be set to "0" if the host is reading the keypad in polled mode.

Bitmask options:

```
#define KP_UP          0x01  
#define KP_ENTER     0x02  
#define KP_CANCEL    0x04  
#define KP_LEFT     0x08  
#define KP_RIGHT    0x10  
#define KP_DOWN     0x20
```

Request packet format:

```
type: 0x18 = 2410  
data_length = 0
```

Successful return packet format:

```
type: 0x40 | 0x18 = 0x58 = 8810  
data_length = 3  
data[0] = bit mask of keys currently pressed  
data[1] = bit mask of keys pressed since the last poll  
data[2] = bit mask of keys released since the last poll
```

## 25 (0x19): Set Fan Power Fail-Safe (FBSCAB Required)

The combination of the CFA635-xxx-KS+FBSCAB+WR-FAN-X01 cable can be used as part of an active cooling system. The fans can be slowed down to reduce noise when a system is idle or when the ambient temperature is low. The fans speed up when the system is under heavy load or the ambient temperature is high.

Since there are a very large number of ways to control the speed of the fans (thresholds, thermostat, proportional, PID, multiple temperature sensors contributing to the speed of several fans, etc.), there was no way to foresee the particular requirements of your system and include an algorithm in the CFA635's firmware that would be an optimal fit for your application.

Varying fan speeds under host software control gives the ultimate flexibility in system design but would typically have a fatal flaw: a host software or hardware failure could cause the cooling system to fail. If the fans were set at a slow speed when the host software failed, system components may be damaged due to inadequate cooling.

The fan power fail-safe command allows host control of the fans without compromising safety. When the fan control software activates, it should set the fans that are under its control to fail-safe mode with an appropriate timeout value. If for any reason the host fails to update the power of the fans before the timeout expires, the fans previously set to fail- safe mode will be forced to 100% power.

Bitmask options:

```
#define FAN_1        0x01  
#define FAN_2        0x02  
#define FAN_3        0x04  
#define FAN_4        0x08
```

Request packet format:





```

type = 0x19 = 2510
data_length = 2
data[0] = bit mask of fans set to fail-safe (1-15 valid)
data[1] = timeout value in 1/8 second ticks:
    1 = 1/8 second
    2 = 1/4 second
    255 = 31 7/8 seconds

```

Successful return packet format:

```

type = 0x40 | 0x19 = 0x59 = 8910
data_length = 0

```

## 26 (0x1A): Set Fan Tachometer Glitch Filter (FBSCAB Required)

The combination of the CFA635-xxx-KU+[FBSCAB](#)+[WR-FAN-X01](#) cable controls fan speed by using PWM. Using PWM turns the power to a fan on and off quickly to change the average power delivered to the fan. The CFA635 uses approximately 18 Hz for the PWM repetition rate. The fan's tachometer output is only valid if power is applied to the fan. Most fans produce a valid tachometer output very quickly after the fan has been turned back on but some fans take time after being turned on before their tachometer output is valid.

This command allows you to set a variable-length delay after the fan has been turned on before the CFA635-xxx-KS will recognize transitions on the tachometer line. The delay is specified in counts, each count being nominally 552.5 μS long (1/100 of one period of the 18 Hz PWM repetition rate).

In practice, most fans will not need the delay to be changed from the default length of 1 count. If a fan's tachometer output is not stable when its PWM setting is other than 100%, simply increase the delay until the reading is stable.

Typically, you would:

- (1) start at a delay count of 50 or 100
- (2) reduce it until the problem reappears
- (3) slightly increase the delay count to give it some margin.

Setting the glitch delay to higher values will make the RPM monitoring slightly more intrusive at low power settings. Also, the higher values will increase the lowest speed that a fan with RPM reporting enabled will seek at 0% power setting.

The Fan Glitch Delay is one of the items stored by the [4 \(0x04\): Store Current State as Boot State](#).

Request packet format:

```

type = 0x1A = 2610
data_length = 4
data[0] = delay count of fan 1 (0 to 100 valid)
data[1] = delay count of fan 2 (0 to 100 valid)
data[2] = delay count of fan 3 (0 to 100 valid)
data[3] = delay count of fan 4 (0 to 100 valid)

```

Successful return packet format:

```

type = 0x40 | 0x1A = 0x5A = 9010
data_length = 0

```

## 27 (0x1B): Query Fan Power & Fail-Safe Mask (FBSCAB Required)

The combination of the CFA635-xxx-KS+[FBSCAB](#)+[WR-FAN-X01](#) cable is required to use this command. This command can be used to verify the current fan power and verify which fans are set to fail-safe mode.

Bitmask options:

```
#define FAN_1      0x01
```



```
#define FAN_2      0x02  
#define FAN_3      0x04  
#define FAN_4      0x08
```

Request packet format:

```
type = 0x1B = 2710  
data_length = 0
```

Successful return packet format:

```
type = 0x40 | 0x1B = 0x5B = 9110  
data_length = 5  
data[0] = fan 1 power  
data[1] = fan 2 power  
data[2] = fan 3 power  
data[3] = fan 4 power  
data[4] = bitmask of fans with fail-safe set
```

## 28 (0x1C): Set ATX Control Functionality and Module Power-On

This command has two main functions: to set host ATX power control options, and to fine-tune the modules power-on state.

The CFA635-xxx-KS with ATX power switch functionality enabled can be used to replace the function of the power and reset switches in a standard ATX-compatible system. The ATX Power Switch Functionality is one of the items stored by the command 4 (0x04): Store Current State as Boot State. To enable ATX power switch functionality a [WR-PWR-Y25](#) or [WR-PWR-Y38](#) cable is required.

USB powered devices generally do not power-on until the host's operating system has initialized the appropriate driver for the device. In some installations, powering-on the CFA635 module before the OS initializes the device may be required. To do so, see the "Power Immediately" option in the command packet details below.

**Note:** This command has previously been named "Set ATX Power Switch Functionality".

The GPIO pins used for ATX control be configured to their default / unused mode in order for the ATX functions to work correctly.

These settings are factory default but may be changed by the user. Please see command [34 \(0x22\): Set or Set and Configure GPIO Pins](#). These settings must be saved as the boot state.

To configure a pin to default/unused mode, use Command 34 to set the pin function bit to 0. For example, to set the ATX Sense pin (GPIO1) for ATX use, send the following command:

```
type: 0x33 = 3410
data_length: 3
data[0] = 1 (gpio pin number)
data[1] = 0 (output duty)
data[2] = 0 (function bit set to 0)
```

Note: the output duty and the lower 3 drive mode bits are disregarded when the function bit is set to 0.

The RESET (GPIO[3]) and POWER CONTROL (GPIO[2]) lines on the CFA635 are normally high-impedance. Electrically, they appear to be disconnected or floating. When the CFA635 asserts the RESET or POWER CONTROL lines, they are momentarily driven high or low (as determined by the AUTO\_POLARITY, RESET\_INVERT or POWER\_INVERT bits, detailed below). To end the power or reset pulse, the CFA635 changes the lines back to high-impedance.

Four ATX functions may be enabled by Command 28:

### Function 1: KEYPAD\_RESET

If POWER-ON SENSE (GPIO[1]) is high, holding the green check key for 4 seconds will pulse RESET (GPIO[3]) pin for 1 second. During the 1-second pulse, the CFA635 will show "RESET", and then the CFA635 will reset itself, showing its boot state as if it had just powered on. Once the pulse has finished, the CFA635 will not respond to any commands until after it has reset the host and itself.

### Function 2: KEYPAD\_POWER\_ON

If POWER-ON SENSE (GPIO[1]) is low, pressing the green check key for 0.25 seconds will pulse POWER CONTROL (GPIO[2]) for the duration specified by in data[1] or the default of 1 second. During this time, the CFA635 will show "POWER ON", then the CFA635 will reset itself.

### Function 3: KEYPAD\_POWER\_OFF

If POWER-ON SENSE (GPIO[1]) is high, holding the red X key for 4 seconds will pulse POWER CONTROL (GPIO[2]) for the duration specified by in data[1] or the default of 1 second. If the user continues to hold the power key down, then the CFA635 will continue to drive the line for a maximum of 5 additional seconds. During this time, the CFA635 will show "POWER OFF".

#### Function 4: LCD\_OFF\_IF\_HOST\_IS\_OFF

If LCD\_OFF\_IF\_HOST\_IS\_OFF is set, the CFA635 will blank its screen and turn off its backlights to simulate its power being off any time POWER-ON SENSE is low.

Bitmask options:

```
//automatically detects polarity for reset and power (default)
#define AUTO_POLARITY          0x01
//reset pin drives high instead of low (ignored if auto polarity is set)
#define RESET_INVERT          0x02
//power pin drives high instead of low (ignored if auto polarity is set)
#define POWER_INVERT          0x04
//lcd will be blanked, and LCD/keypad backlights turned off if
//power sense is low (host is off)
#define LCD_OFF_IF_HOST_IS_OFF 0x10
//enabled keypad reset function
#define KEYPAD_RESET          0x20
//enable keypad power on function
#define KEYPAD_POWER_ON      0x40
//enable keypad power off function
#define KEYPAD_POWER_OFF     0x80
```

Request packet format:

```
type: 0x1C = 2810 data_length: 1 or 2
data[0]: bit mask of enabled functions (see above)
data[1]: optional length of power on & off pulses in 1/32 second
1 = 1/32 sec
2 = 1/16 sec
16 = 1/2 sec
254 = 7.9 seconds
255 = assert power control line until host power state changes (default)
data[2]: optional bit mask of extra power functions
0 = none enabled (default)
1 = power immediately (module is on whenever power is supplied)
```

Successful return packet format:

```
type: 0x40 | 0x1C = 0x5C = 9210
data_length: 0
```

#### 29 (0x1D): Enable/Disable and Reset the Watchdog

Some high-availability systems use hardware watchdog timers to ensure that a software or hardware failure does not result in an extended system outage. Once the host system has booted, a system monitor program is started. The system monitor program would enable the watchdog timer on the CFA635. If the system monitor program fails to reset the CFA635's watchdog timer, the CFA635 will reset the host system.

The GPIO pins used for ATX control must not be configured as user GPIO. They must be configured to their default drive mode in order for the ATX functions to work correctly. These settings are factory default, but may be changed by the user. Please see the note under command [28 \(0x1C\): Set ATX Power Switch Functionality](#) or command [34 \(0x22\): Set or Set and Configure GPIO Pins](#).

If timeout is 1-255, then this command must be issued again within timeout seconds to avoid a watchdog reset. To turn the watchdog off once it has been enabled, simply set timeout to 0.

If the command is not re-issued within timeout seconds, then the CFA635 will reset the host (see command 28 for details). Since the watchdog is off by default when the CFA635 powers up, the CFA635 will not issue another host reset until the host has once again enabled the watchdog.

Request packet format:

```
type: 0x1D = 2910
data_length = 1
data[0] = enable/timeout
        0 = timeout/watchdog disabled
        1-255 = 1 to 255 seconds until watchdog reset occurs
```

Successful return packet format:

```
type: 0x40 | 0x1D = 0x5D = 9310
data_length = 0
```

### 30 (0x1E): Read Reporting & Status

This command can be used to verify the current items configured to report to the host, as well as some other miscellaneous status information. The combination of CFA635-xxx-KS+[FBSCAB+WR-DOW-Y17](#) temperature sensors is required to report the temperature information. The combination of the CFA635-xxx-KU+[FBSCAB+WR-FAN-X01](#) cable is required to control fans.

Request packet format:

```
type = 0x1E = 3010
data_length = 0
```

Successful return packet format:

```
type = 0x40 | 0x1E = 0x5E = 9410
data_length = 15
data[ 0] = fan 1-4 reporting status (as set by command 16)
data[ 1] = temperatures 1-8 reporting status (as set by command 19)
data[ 2] = temperatures 9-15 reporting status (as set by command 19)
data[ 3] = temperatures 16-23 reporting status (as set by command 19)
data[ 4] = temperatures 24-32 reporting status (as set by command 19)
data[ 5] = key presses (as set by command 23)
data[ 6] = key releases (as set by command 23)
data[ 7] = ATX Power Switch Functionality (as set by command 28)
data[ 8] = current watchdog counter (as set by command 29)
data[ 9] = fan RPM glitch delay[0] (as set by command 26)
data[10] = fan RPM glitch delay[1] (as set by command 26)
data[11] = fan RPM glitch delay[2] (as set by command 26)
data[12] = fan RPM glitch delay[3] (as set by command 26)
data[13] = contrast setting (as set by command 13)
data[14] = backlight setting (as set by command 14)
```

**NOTE:** Previous and future firmware versions may return fewer or additional bytes.

### 31 (0x1F): Send Data to LCD

This command allows data to be placed at any position on the LCD.

Send Data to LCD is one of the items stored by the command [4 \(0x04\): Store Current State as Boot State](#).

Request packet format:

```
type: 0x1F = 3110
data_length = 3 to 22
data[0]: col = x = 0 to 19
data[1]: row = y = 0 to 3
data[2-21]: characters/text to place on the LCD
```

Successful return packet format:

```
type: 0x40 | 0x1F = 0x5F = 9510
data_length = 0
```

### 33 (0x21): Set Baud Rate

This command will change the CFA635's baud rate. The CFA635 will send the acknowledge packet for this command and change its baud rate to the new value. The host should send the baud rate command, wait for a positive acknowledge from the CFA635 at the old baud rate, and then switch itself to the new baud rate. The baud rate must be saved by the command [4 \(0x04\): Store Current State as Boot State](#) if you want the CFA635 to power up at the new baud rate.

The factory default baud rate is 115200.

```
type: 0x21 = 3310
data_length = 1
data[0]:
  0 = 19200 baud
  1 = 115200 baud
```

The return packet will be:

```
type: 0x40 | 0x21 = 0x61 = 9710
data_length = 0
```

### 34 (0x22): Set or Set and Configure GPIO Pins

The CFA635-xxx-KS (hardware versions 1.4 and up, firmware versions 1.9 and up) has five pins for user-definable general purpose input / output (GPIO). These pins are shared with the ATX functions. Be careful when you configure the GPIO if you want to use the ATX at the same time.

The architecture of the CFA635 allows great flexibility in the configuration of the GPIO pins. They can be set as input or output. They can output constant high or low signals or a variable duty cycle 100 Hz PWM signal.

In output mode using the PWM (and a suitable current limiting resistor), an LED may be turned on or off and even dimmed under host software control. With suitable external circuitry, the GPIOs can also be used to drive external logic or power transistors.

The CFA635 continuously polls the GPIOs as inputs at 50 Hz. The present level can be queried by the host software at a lower rate. The CFA635 also keeps track of whether there were rising or falling edges since the last host query (subject to the resolution of the 50 Hz sampling). This means that the host is not forced to poll quickly in order to detect short events. The algorithm used by the CFA635 to read the inputs is inherently "bounce-free". Note that the returned pin states are the actual pin states, which may or may not agree with the GPIO setting, depending on drive mode and the load presented by external circuitry.

The GPIOs also have "pull-up" and "pull-down" modes. These modes can be useful when using the GPIO as an input connected to a switch since no external pull-up or pull-down resistor is needed. For instance,



the GPIO can be set to pull up. Then when a switch connected between the GPIO and ground is open, reading the GPIO will return a "1". When the switch is closed, the input will return a "0".

Pull-up/pull-down resistance values are approximately 5kΩ. Do not exceed current of 25mA per GPIO.

The GPIO pins may also be used for ATX control through header H1. By factory default, the GPIO output setting, function, and drive mode are set correctly to enable operation of the ATX functions. **The GPIO output setting, function, and drive mode must be set to the correct values in order for the ATX functions to work. Improper use of this command can disable the ATX functions.** The [cfTest](#) may be used to easily check and reset the GPIO configuration to the default state so the ATX functions will work.



The GPIO configuration is one of the items stored by the command [4 \(0x04\): Store Current State as Boot State](#).

Request packet format:

```

type: 0x22 = 3410
data_length:
  2 bytes to change value only
  3 bytes to change value and configure function and drive mode
data[0]: index of GPIO/GPO to modify
  0 = GPIO[0] = H1, Pin 11
  1 = GPIO[1] = H1, Pin 12 (default is ATX Host Power Sense)
  2 = GPIO[2] = H1, Pin 9 (default is ATX Host Power Control)
  3 = GPIO[3] = H1, Pin 10 (default is ATX Host Reset Control)
  4 = GPIO[4] = H1, Pin 13
  5 = GPO[ 5] = LED 3 (bottom) green die
  6 = GPO[ 6] = LED 3 (bottom) red die
  7 = GPO[ 7] = LED 2 green die
  8 = GPO[ 8] = LED 2 red die
  9 = GPO[ 9] = LED 1 green die
 10 = GPO[10] = LED 1 red die
 11 = GPO[11] = LED 0 (top) green die
 12 = GPO[12] = LED 0 (top) red die
 13-255 = not currently accessible
      (may be used in future hardware/firmware revisions)
data[1] = set pin output value (0 to 100 valid):
  0 = output set to low
  1-99 = output duty cycle percentage (100Hz nominal)
 100 = output set to high
  This value only has an effect is the pin does have the user
  function bit set and if the pin is set as an output drive mode.
data[2] = pin function select and drive mode (optional, 0-15 valid)
---- FDDD
|||| |--- DDD = Drive Mode (based on output state of 1 or 0)
|||| |=====
|||| | 000: 1=Fast, Strong Drive Up, 0=Resistive Pull Down
|||| | 001: 1=Fast, Strong Drive Up, 0=Fast, Strong Drive Down
|||| | 010: Hi-Z, use for input
|||| | 011: 1=Resistive Pull Up, 0=Fast, Strong Drive Down
|||| | 100: 1=Slow, Strong Drive Up, 0=Hi-Z
|||| | 101: 1=Slow, Strong Drive Up, 0=Slow, Strong Drive Down
|||| | 110: reserved, do not use
|||| | 111: 1=Hi-Z, 0=Slow, Strong Drive Down
|||| |
|||| |----- F = Function
|||| |=====
|||| | 0: Port unused for GPIO. It will take on the default
|||| | function such as ATX, DOW or unused. The user is
|||| | responsible for setting the drive to the correct
|||| | value in order for the default function to work
|||| | correctly.
|||| | 1: Port used for GPIO under user control. The user is
|||| | responsible for setting the drive to the correct
|||| | value in order for the desired GPIO mode to work
|||| | correctly.
|||| |----- reserved, must be 0

```

Successful return packet format:

```

type = 0x40 | 0x22 = 0x62 = 9810
data_length = 0

```

### 35 (0x23): Read GPIO Pin Levels and Configuration State

See command [34 \(0x22\): Set or Set and Configure GPIO Pins](#) for details on the GPIO architecture.

Request packet format:





```

type: 0x23 = 3510
data_length: 1
data[0]: index of GPIO to query
0 = GPIO[0] = H1, Pin 11
1 = GPIO[1] = H1, Pin 12 (default is ATX Host Power Sense)
2 = GPIO[2] = H1, Pin 9 (default is ATX Host Power Control)
3 = GPIO[3] = H1, Pin 10 (default is ATX Host Reset Control)
4 = GPIO[4] = H1, Pin 13
5 = GPO[ 5] = LED 3 (bottom) green die
6 = GPO[ 6] = LED 3 (bottom) red die
7 = GPO[ 7] = LED 2 green die
8 = GPO[ 8] = LED 2 red die
9 = GPO[ 9] = LED 1 green die
10 = GPO[10] = LED 1 red die
11 = GPO[11] = LED 0 (top) green die
12 = GPO[12] = LED 0 (top) red die
13-255 = not currently accessible
      (may be used in future hardware/firmware revisions)

```

Successful return packet format:

```

type = 0x40 | 0x23 = 0x63 = 9910
data_length = 4
data[0] = index of GPIO read
data[1] = GPIO pin state & changes since last poll
---- -RFS
|||| ||||-- S = state at the last reading
|||| |||--- F = at least one falling edge has
|||| ||                been detected since the last poll
|||| ||----- R = at least one rising edge has
|||| |                been detected since the last poll
||||-|----- reserved
data[2] = requested pin level/PWM percentage (0 to 100)
data[3] = pin function select and drive mode.
---- FDDD
|||| ||||-- DDD = Drive Mode
|||| |=====
|||| | 000: 1=Fast, Strong Drive Up, 0=Resistive Pull Down
|||| | 001: 1=Fast, Strong Drive Up, 0=Fast, Strong Drive Down
|||| | 010: Hi-Z, use for input
|||| | 011: 1=Resistive Pull Up, 0=Fast, Strong Drive Down
|||| | 100: 1=Slow, Strong Drive Up, 0=Hi-Z
|||| | 101: 1=Slow, Strong Drive Up, 0=Slow, Strong Drive Down
|||| | 110: reserved
|||| | 111: 1=Hi-Z, 0=Slow, Strong Drive Down
|||| |
|||| |----- F = Function
|||| |=====
|||| | 0: Port unused for GPIO. It will take on the default
|||| | function such as ATX, DOW or unused. The user is
|||| | responsible for setting the drive to the correct
|||| | value in order for the default function to work
|||| | correctly.
|||| | 1: Port used for GPIO under user control. The user is
|||| | responsible for setting the drive to the correct
|||| | value in order for the desired GPIO mode to work
|||| | correctly.
|||| |----- reserved, will return 0

```

## 8. Character Generator ROM (CGROM)

To find the code for a given character, add the two numbers that are shown in bold for its row and column. For example, the Greek letter "β" is in the column labeled "224<sub>d</sub>" and in the row labeled "2<sub>d</sub>".

Add 224 + 2 to get 226. When you send a byte with the value of 226 to the display, the Greek letter "β" will be shown.

Character Generator ROM (CGROM) for Crystalfontz CFA-635

upper 4 bits lower 4 bits	0 <sub>d</sub> 0000 <sub>2</sub>	16 <sub>d</sub> 0001 <sub>2</sub>	32 <sub>d</sub> 0010 <sub>2</sub>	48 <sub>d</sub> 0011 <sub>2</sub>	64 <sub>d</sub> 0100 <sub>2</sub>	80 <sub>d</sub> 0101 <sub>2</sub>	96 <sub>d</sub> 0110 <sub>2</sub>	112 <sub>d</sub> 0111 <sub>2</sub>	128 <sub>d</sub> 1000 <sub>2</sub>	144 <sub>d</sub> 1001 <sub>2</sub>	160 <sub>d</sub> 1010 <sub>2</sub>	176 <sub>d</sub> 1011 <sub>2</sub>	192 <sub>d</sub> 1100 <sub>2</sub>	208 <sub>d</sub> 1101 <sub>2</sub>	224 <sub>d</sub> 1110 <sub>2</sub>	240 <sub>d</sub> 1111 <sub>2</sub>
0 <sub>d</sub> 0000 <sub>2</sub>	<b>CGRAM</b> <b>[0]</b>	▲	□	□	□	□	□	□	□	□	□	□	□	□	□	□
1 <sub>d</sub> 0001 <sub>2</sub>	<b>CGRAM</b> <b>[1]</b>	▲	!	1	H	Q	a	q	1	月	E	中	△	■	+	▲
2 <sub>d</sub> 0010 <sub>2</sub>	<b>CGRAM</b> <b>[2]</b>	▲	"	2	R	b	r	2	車	車	委	口	■	▲	▲	▲
3 <sub>d</sub> 0011 <sub>2</sub>	<b>CGRAM</b> <b>[3]</b>	▲	#	3	S	s	s	3	*	羊	丁	巾	!	!	!	!
4 <sub>d</sub> 0100 <sub>2</sub>	<b>CGRAM</b> <b>[4]</b>	▲	\$	4	T	t	t	4	*	台	入	!	!	!	!	!
5 <sub>d</sub> 0101 <sub>2</sub>	<b>CGRAM</b> <b>[5]</b>	▲	%	5	U	u	u	5	T	台	入	!	!	!	!	!
6 <sub>d</sub> 0110 <sub>2</sub>	<b>CGRAM</b> <b>[6]</b>	▲	&	6	V	v	v	6	U	π	!	!	!	!	!	!
7 <sub>d</sub> 0111 <sub>2</sub>	<b>CGRAM</b> <b>[7]</b>	▲	'	7	W	w	w	7	U	π	!	!	!	!	!	!
8 <sub>d</sub> 1000 <sub>2</sub>	<b>CGRAM</b> <b>[0]</b>	▲	(	8	X	x	x	8	"	台	区	丁	!	!	!	!
9 <sub>d</sub> 1001 <sub>2</sub>	<b>CGRAM</b> <b>[1]</b>	▲	)	9	Y	y	y	9	"	台	区	丁	!	!	!	!
10 <sub>d</sub> 1010 <sub>2</sub>	<b>CGRAM</b> <b>[2]</b>	▲	*	:	J	j	j	*	Q	P	E	S	!	!	!	!
11 <sub>d</sub> 1011 <sub>2</sub>	<b>CGRAM</b> <b>[3]</b>	▲	+	:	K	k	k	+	Q	P	E	S	!	!	!	!
12 <sub>d</sub> 1100 <sub>2</sub>	<b>CGRAM</b> <b>[4]</b>	▲	,	<	L	l	l	,	±	∞	∞	∞	!	!	!	!
13 <sub>d</sub> 1101 <sub>2</sub>	<b>CGRAM</b> <b>[5]</b>	▲	-	=	M	m	m	-	±	∞	∞	∞	!	!	!	!
14 <sub>d</sub> 1110 <sub>2</sub>	<b>CGRAM</b> <b>[6]</b>	▲	.	>	N	n	n	.	±	∞	∞	∞	!	!	!	!
15 <sub>d</sub> 1111 <sub>2</sub>	<b>CGRAM</b> <b>[7]</b>	▲	/	?	O	o	o	/	±	∞	∞	∞	!	!	!	!

Figure 10: Character Generator ROM (CGROM)

## 9. LCD Module Reliability and Longevity

We work to continuously improve our products, including backlights that are brighter and last longer. Slight color variations from module to module and batch to batch are normal.

***If you need modules with consistent color, please ask for a custom order.***

ITEM	SPECIFICATION	
LCD portion (excluding Keypad and Backlights)	50,000 to 100,000 hours (typical)	
Keypad	1,000,000 keystrokes	
Bicolor status LEDs	50,000 to 100,000 hours	
Yellow-green LED Display and Keypad Backlight (CFA635-YYK-Kx)	50,000 to 100,000 hours	
White LED Display and Blue LED Keypad Backlights	Power-On Hours	% of Initial Brightness
NOTE: We recommend that the backlight of the white LED backlit modules be dimmed or turned off during periods of inactivity to conserve the white LED backlight lifetime. Values listed above are approximate and represent typical lifetime.	<10,000	>70%
	<50,000	>50%

### 9.1. Module Longevity (EOL / Replacement Policy)

Crystalfontz is committed to making all of our LCD modules available for as long as possible. For each module that we introduce, we intend to offer it indefinitely. We do not preplan a module's obsolescence. The majority of modules we have introduced are still available.

We recognize that discontinuing a module may cause problems for some customers. However, rapidly changing technologies, component availability, or low customer order levels may force us to discontinue ("End of Life", EOL) a module. For example, we must occasionally discontinue a module when a supplier discontinues a component or a manufacturing process becomes obsolete. When we discontinue a module, we will do our best to find an acceptable replacement module with the same fit, form, and function.

In most situations, you will not notice a difference when comparing a "fit, form, and function" replacement module to the discontinued module it replaces. However, sometimes a change in component or process for the replacement module results in a slight variation, perhaps an improvement, over the previous design.

Although the replacement module is still within the stated datasheet specifications and tolerances of the discontinued module, changes may require modification to your circuit and/or firmware.

Possible changes include:

- Backlight LEDs. Brightness may be affected (perhaps the new LEDs have better efficiency) or the current they draw may change (new LEDs may have a different VF).
- Controller. A new controller may require minor changes in your code.
- Component tolerances. Module components have manufacturing tolerances. In extreme cases, the tolerance stack can change the visual or operating characteristics.

Please understand that we avoid changing a module whenever possible; we only discontinue a module if we have no other option. We post Part Change Notices (PCN) on the product's website page as soon as possible. If interested, you can subscribe to future [Part Change Notices](#).



## 10. Care and Handling Precautions

For optimum operation of the CFA635-XXX-KU and to prolong its life, please follow the precautions described below.

### 10.1. ESD (Electrostatic Discharge)

The CFA635 circuitry is industry standard CMOS logic and susceptible to ESD damage. Please use industry standard antistatic precautions as you would for any other static sensitive devices such as expansion cards, motherboards, or integrated circuits. Ground your body, work surfaces, and equipment.

### 10.2. Design and Mounting

- The exposed surface of the “glass” is actually a polarizer laminated on top of the glass. To protect the soft plastic polarizer from damage, the module ships with a protective film over the polarizer. Please peel off the protective film slowly. Peeling off the protective film abruptly may generate static electricity.
- When handling the module, avoid touching the polarizer. Finger oils are difficult to remove.
- To protect the soft plastic polarizer from damage, place a transparent plate (for example, acrylic, polycarbonate or glass), in front of the module, leaving a small gap between the plate and the display surface.
- Do not disassemble or modify the module.
- Do not modify the six tabs of the metal bezel or make connections to them.
- Do not reverse polarity to the power supply connections. Reversing polarity will immediately ruin the module.

### 10.3. Mechanical Shock, Impact, Torque, or Tension

- Do not expose the CFA635 to strong mechanical shock, impact, torque, or tension.
- Do not drop, toss, bend, or twist the CFA635.
- Do not place weight or pressure on the CFA635.

### 10.4. LCD Panel Breakage

- If the LCD panel breaks, be careful to not get the liquid crystal fluid in your mouth or eyes.
- If the liquid crystal fluid touches your skin, clothes, or work surface, wash it off immediately using warm soapy water.

### 10.5. Cleaning

- The polarizer (laminated to the glass), is soft plastic that can easily be scratched or damaged, so use extra care when you clean it.
- Do not clean the polarizer with liquids.
- Do not wipe the polarizer with any type of cloth or swab (for example, Q-tips).
- Use the removable protective film to remove smudges (for example, fingerprints), and any foreign matter. If you no longer have the protective film, use standard transparent office tape (for example, Scotch® brand “Crystal Clear Tape”).
- If the polarizer becomes dusty, carefully blow it off with clean, dry, oil-free compressed air.
- The polarizer will eventually become hazy if you do not use care when cleaning it.
- Contact with moisture may permanently spot or stain the polarizer.

### 10.6. Operation

- Protect the CFA635 from ESD and power supply transients.
- Observe the operating temperature limitations: a minimum of -20°C to a maximum of +70°C with minimal fluctuation. Operation outside of these limits may shorten life and/or harm display.
- At lower temperatures of this range, response time is delayed.
- At higher temperatures of this range, display becomes dark. (You may need to adjust the contrast.)
- Operate away from dust, moisture, and direct sunlight.
- Adjust backlight brightness so the display is readable, but not too bright.
- Dim or turn off the backlight during periods of inactivity to conserve the backlight lifetime.

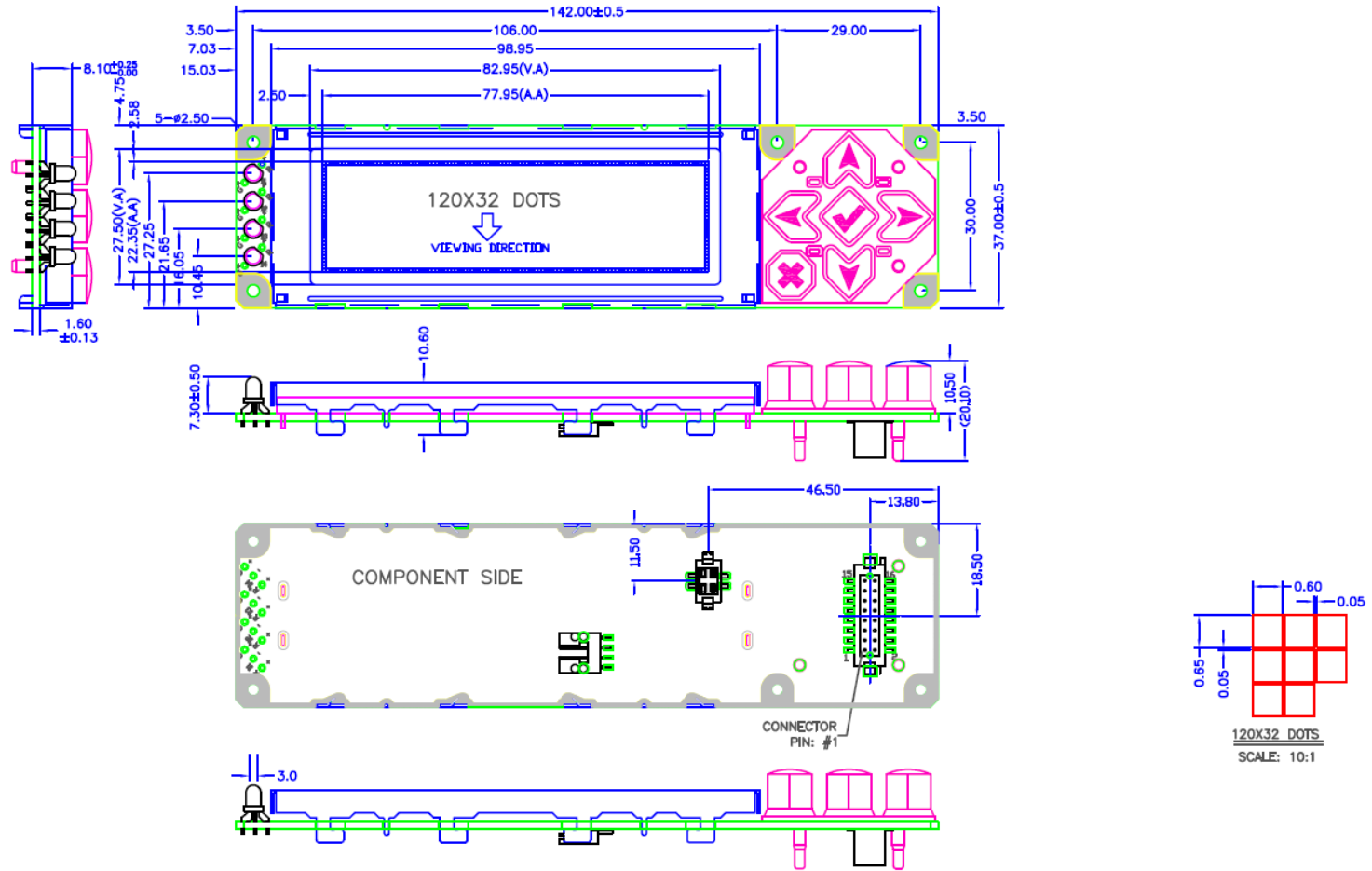


### **10.7. Storage and Recycling**

- Store in an ESD-approved container away from dust, moisture, and direct sunlight.
- Observe the storage temperature limitations: -30°C minimum, +80°C maximum with minimal fluctuation. Rapid temperature changes can cause moisture to form, resulting in permanent damage.
- Do not allow weight to be placed on the CFA635 while in storage.
- Please recycle your outdated Crystalfontz modules at an approved facility.

# 11. Mechanical Drawings

## 11.1. Module Outline Drawing Front, Back, and Side Views

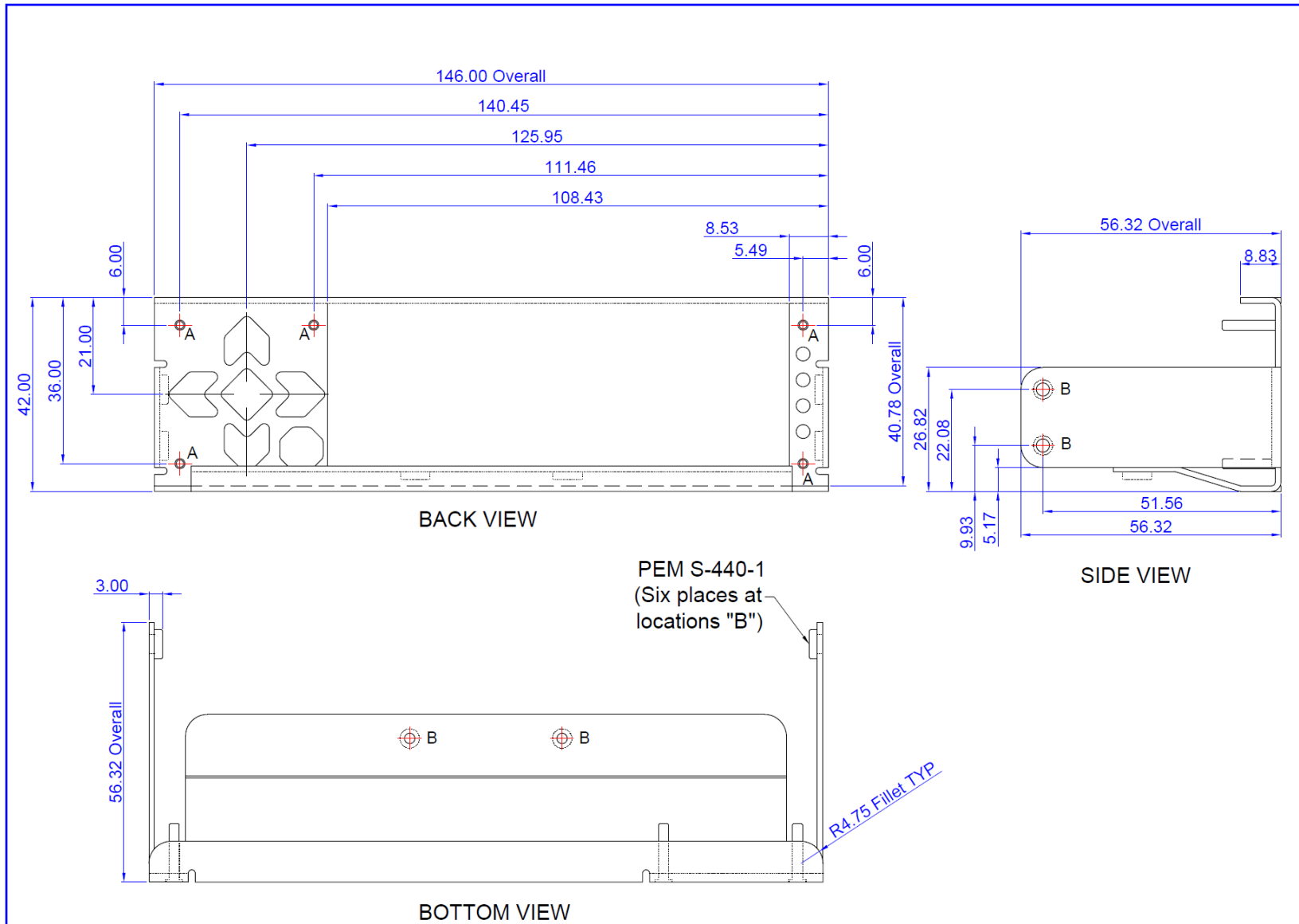


Tolerance is ±0.3mm unless specified.



Scale:	Not to scale	Part No.(s):	CFA635-xxx-KU
Date:	2017-04-25	Hardware Rev.:	h1.5v1
Units:	Millimeters	Drawing No.:	CFA635-Family-Master

## 11.2. Optional Mounting Bracket Drawing



Tolerance is  $\pm 0.30$  mm unless specified.



Copyright © 2017 by

**Crystalfontz America, Inc.**

[www.crystalfontz.com/products/](http://www.crystalfontz.com/products/)

Part No. (s):

CFA635 Family  
Mounting Bracket

Scale:

Not to scale

Units:

Millimeters

Drawing Number:

Bracket\_master

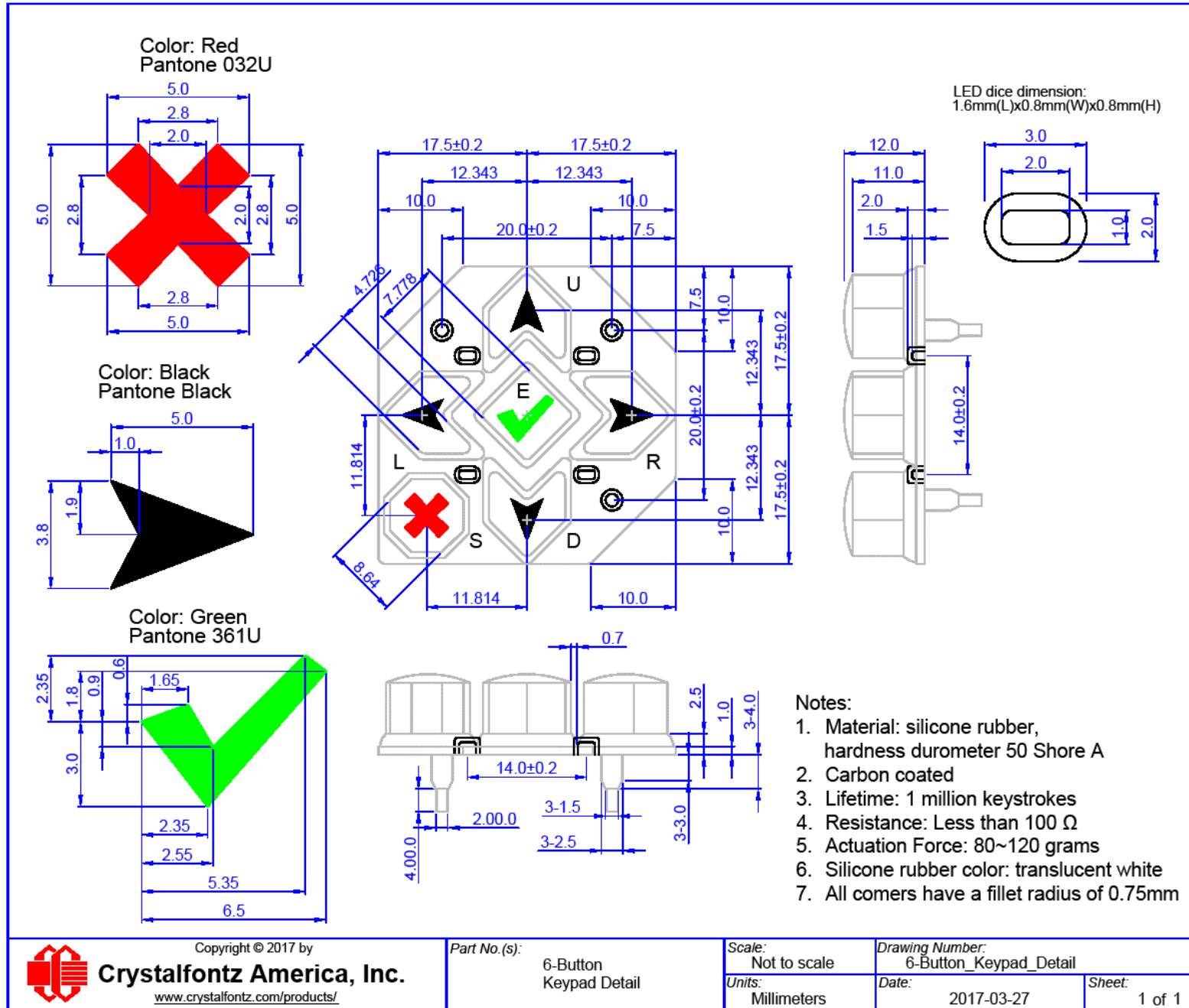
Date:

2017-03-27

Sheet:

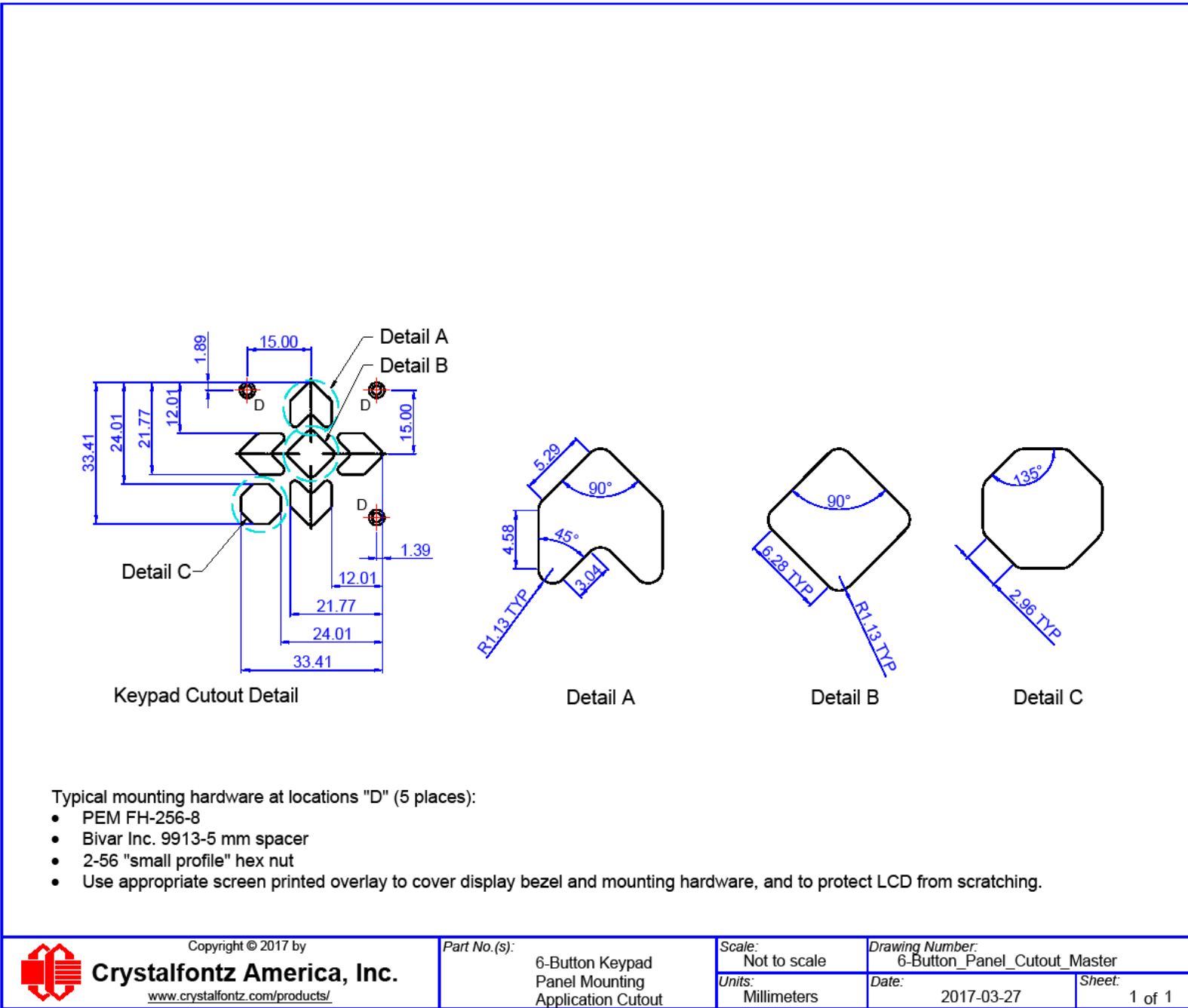
1 of 1

### 11.3. Keypad Detail Drawing





## 11.4. Panel Mounting Application Cutout Drawing



## 12. Appendix A: Example Software and Sample Source Code

### 12.1. Example Software

- CrystalFontz cfTest (Windows compatible test/demonstration software):  
<https://www.crystalfontz.com/product/cftest>
- CrystalFontz WinTest (Windows compatible example program and source):  
<https://www.crystalfontz.com/product/635wintest>
- Linux compatible command-line demonstration and source:  
<https://www.crystalfontz.com/product/linuxexamplecode>
- CrystalFontz CrystalControl2 (Windows compatible LCD display software):  
<https://www.crystalfontz.com/product/CrystalControl2.html>
- LCDProc (Linux compatible open-source LCD display software):  
<http://lcdproc.org/>

### 12.2. Algorithms to Calculate the CRC

Below are eight sample algorithms that will calculate the CRC of a CFA635 packet. Some of the algorithms were contributed by forum members and originally written for CFA631 and CFA635. The CRC used in the CFA635 is the same as that used in IrDA, which came from PPP, which seems to be related to a CCITT standard (ref: Network Working Group Request for Comments: 1171). At that point, the trail was getting a bit cold and diverged into several referenced articles and papers, dating back to 1983.

The polynomial used is  $X^{16} + X^{12} + X^5 + X^0$  (0x8408)

The result is bit-wise inverted before being returned.



### Algorithm 1: "C" Table Implementation

This algorithm is typically used on the host computer, where code space is not an issue.

```
//This code is from the IRDA LAP documentation, which appears to
//have been copied from PPP:
//http://irda.affinescape.com/associations/2494/files/Specifications/IrLAP11\_Plus\_Errata.zip
//
//I doubt that there are any worries about the legality of this code,
//searching for the first line of the table below, it appears that
//the code is already included in the linux 2.6 kernel "Driver for
//ST5481 USB ISDN modem". This is an "industry standard" algorithm
//and I do not think there are ANY issues with it at all.

typedef unsigned char ubyte;
typedef unsigned short word;
word get_crc(ubyte *bufptr,word len)
{
    //CRC lookup table to avoid bit-shifting loops.
    static const word crcLookupTable[256] =
    {0x0000,0x01189,0x02312,0x0329B,0x04624,0x057AD,0x06536,0x074BF,
    0x08C48,0x09DC1,0x0AF5A,0x0BED3,0x0CA6C,0x0DBE5,0x0E97E,0x0F8F7,
    0x01081,0x00108,0x03393,0x0221A,0x056A5,0x0472C,0x075B7,0x0643E,
    0x09CC9,0x08D40,0x0BFDB,0x0AE52,0x0DAED,0x0CB64,0x0F9FF,0x0E876,
    0x02102,0x0308B,0x00210,0x01399,0x06726,0x076AF,0x04434,0x055BD,
    0x0AD4A,0x0BCC3,0x08E58,0x09FD1,0x0EB6E,0x0FAE7,0x0C87C,0x0D9F5,
    0x03183,0x0200A,0x01291,0x00318,0x077A7,0x0662E,0x054B5,0x0453C,
    0x0BDCB,0x0AC42,0x09ED9,0x08F50,0x0FBF7,0x0EA66,0x0D8FD,0x0C974,
    0x04204,0x0538D,0x06116,0x0709F,0x00420,0x015A9,0x02732,0x036BB,
    0x0CE4C,0x0DFC5,0x0ED5E,0x0FCD7,0x08868,0x099E1,0x0AB7A,0x0BAF3,
    0x05285,0x0430C,0x07197,0x0601E,0x014A1,0x00528,0x037B3,0x0263A,
    0x0DECD,0x0CF44,0x0FDDF,0x0EC56,0x098E9,0x08960,0x0BBFB,0x0AA72,
    0x06306,0x0728F,0x04014,0x0519D,0x02522,0x034AB,0x00630,0x017B9,
    0x0EF4E,0x0FEC7,0x0CC5C,0x0DDD5,0x0A96A,0x0B8E3,0x08A78,0x09BF1,
    0x07387,0x0620E,0x05095,0x0411C,0x035A3,0x0242A,0x016B1,0x00738,
    0x0FFCF,0x0EE46,0x0DCDD,0x0CD54,0x0B9EB,0x0A862,0x09AF9,0x08B70,
    0x08408,0x09581,0x0A71A,0x0B693,0x0C22C,0x0D3A5,0x0E13E,0x0F0B7,
    0x00840,0x019C9,0x02B52,0x03ADB,0x04E64,0x05FED,0x06D76,0x07CFF,
    0x09489,0x08500,0x0B79B,0x0A612,0x0D2AD,0x0C324,0x0F1BF,0x0E036,
    0x018C1,0x00948,0x03BD3,0x02A5A,0x05EE5,0x04F6C,0x07DF7,0x06C7E,
    0x0A50A,0x0B483,0x08618,0x09791,0x0E32E,0x0F2A7,0x0C03C,0x0D1B5,
    0x02942,0x038CB,0x00A50,0x01BD9,0x06F66,0x07EEF,0x04C74,0x05DFD,
    0x0B58B,0x0A402,0x09699,0x08710,0x0F3AF,0x0E226,0x0D0BD,0x0C134,
    0x039C3,0x0284A,0x01AD1,0x00B58,0x07FE7,0x06E6E,0x05CF5,0x04D7C,
    0x0C60C,0x0D785,0x0E51E,0x0F497,0x08028,0x091A1,0x0A33A,0x0B2B3,
    0x04A44,0x05BCD,0x06956,0x078DF,0x00C60,0x01DE9,0x02F72,0x03EFB,
    0x0D68D,0x0C704,0x0F59F,0x0E416,0x090A9,0x08120,0x0B3BB,0x0A232,
    0x05AC5,0x04B4C,0x079D7,0x0685E,0x01CE1,0x00D68,0x03FF3,0x02E7A,
    0x0E70E,0x0F687,0x0C41C,0x0D595,0x0A12A,0x0B0A3,0x08238,0x093B1,
    0x06B46,0x07ACF,0x04854,0x059DD,0x02D62,0x03CEB,0x00E70,0x01FF9,
    0x0F78F,0x0E606,0x0D49D,0x0C514,0x0B1AB,0x0A022,0x092B9,0x08330,
    0x07BC7,0x06A4E,0x058D5,0x0495C,0x03DE3,0x02C6A,0x01EF1,0x00F78};

    register word newCrc = 0xFFFF;
    while(len--)
        newCrc = (newCrc >> 8) ^ crcLookupTable[(newCrc ^ *bufptr++) & 0xff];

    //Make this crc match the one's complement that is sent in the packet.
    return(~newCrc);
}
```



## Algorithm 2: "C" Bit Shift Implementation

This algorithm was mainly written to avoid any possible legal issues about the source of the routine (at the request of the LCDproc group). This routine was "clean" coded from the definition of the CRC. It is ostensibly smaller than the table-driven approach but will take longer to execute. This routine is offered under the GPL.

```
typedef unsigned char ubyte;
typedef unsigned short word;
word get_crc(ubyte *bufptr, word len)
{
    register unsigned int newCRC;
    ubyte data;
    int bitcount;

    //This seed makes the output of this shift based algorithm match
    //the table based algorithm. The center 16 bits of the 32-bit
    //"newCRC" are used for the CRC. The MSb of the lower byte is
    //used to see what bit was shifted out of the center 16 bit CRC
    //accumulator ("carry flag analog")
    newCRC = 0x00F32100;
    while(len--)
    {
        //Get the next byte in the stream.
        data=*bufptr++;

        //Push this byte's bits through a software implementation
        // of a hardware shift & xor.
        for(bitcount = 0; bitcount <= 7; bitcount++)
        {
            //Shift the CRC accumulator
            newCRC>>=1;

            //The new MSB of the CRC accumulator comes
            //from the LSB of the current data byte.
            if(data&0x01)
                newCRC |= 0x00800000;

            //If the low bit of the current CRC accumulator was set
            //before the shift, then we need to XOR the accumulator
            //with the polynomial (center 16 bits of 0x00840800)
            if (newCRC&0x00000080)
                newCRC^=0x00840800;
            //Shift the data byte to put the next bit of the stream
            //into position 0.
            data >>= 1;
        }
    }

    //All the data has been done. Do 16 more bits of 0 data.
    for(bitcount = 0; bitcount <= 15; bitcount++)
    {
        //Shift the CRC accumulator
        newCRC >>= 1;

        //If the low bit of the current CRC accumulator was set
        //before the shift we need to XOR the accumulator with
        //0x00840800.
        if (newCRC & 0x00000080)
            newCRC^=0x00840800;
    }

    //Return the center 16 bits, making this CRC match the one's
```



```

//complement that is sent in the packet
return((~newCRC)>>8);
}

```

**Algorithm 2B: “C” Improved Bit Shift Implementation**

This is a simplified algorithm that implements the CRC.

```

unsigned short get_crc(unsigned char count,unsigned char *ptr)
{
  unsigned short crc; //Calculated CRC
  unsigned char i; //Loop count, bits in byte
  unsigned char data; //Current byte being shifted
  crc = 0xFFFF; // Preset to all 1's, prevent loss of leading zeros
  while(count--)
  {
    data = *ptr++;
    i = 8;
    do
    {
      if((crc ^ data) & 0x01)
      {
        crc >>= 1;
        crc ^= 0x8408;
      }
      else
        crc >>= 1;
      data >>= 1;
    } while(--i != 0);
  }
  return (~crc);
}

```

**Algorithm 3: “PIC Assembly” Bit Shift Implementation**

This routine was graciously donated by one of our customers.

```

;=====
; CrystalFontz CFA635 PIC CRC Calculation Example
;
; This example calculates the CRC for the hard coded example provided in
the documentation.
;
; It uses "This is a test. " as input and calculates the proper CRC of
0x93FA.
;=====
#include "p16f877.inc"
;=====
; CRC16 equates and storage
;-----

accuml    equ 40h      ; BYTE - CRC result register high byte
accumh    equ 41h      ; BYTE - CRC result register high low byte
datareg   equ 42h      ; BYTE - data register for shift
j         equ 43h      ; BYTE - bit counter for CRC 16 routine
Zero      equ 44h      ; BYTE - storage for string memory read
index     equ 45h      ; BYTE - index for string memory read
savchr    equ 46h      ; BYTE - temp storage for CRC routine
;
seedlo    equ 021h     ; initial seed for CRC reg lo byte
seedhi    equ 0F3h     ; initial seed for CRC reg hi byte
;
polyL     equ 008h     ; polynomial low byte

```



```

polyH    equ    084h    ; polynomial high byte
;=====
; CRC Test Program
;-----
    org    0    ; reset vector = 0000H
;
    clrf   PCLATH    ; ensure upper bits of PC are cleared
    clrf   STATUS    ; ensure page bits are cleared
    goto  main    ; jump to start of program
;
; ISR Vector
;
    org    4    ; start of ISR
    goto  $    ; jump to ISR when coded
;
    org    20    ; start of main program
main
    movlw  seedhi    ; setup intial CRC seed value.
    movwf  accumh    ; This must be done prior to
    movlw  seedlo    ; sending string to CRC routine.
    movwf  accumul    ;
    clrf   index    ; clear string read variables
;
main1
    movlw  HIGH InputStr    ; point to LCD test string
    movwf  PCLATH    ; latch into PCL
    movfw  index    ; get index
    call  InputStr    ; get character
    movwf  Zero    ; setup for terminator test
    movf   Zero,f    ; see if terminator
    btfsc STATUS,Z    ; skip if not terminator
    goto  main2    ; else terminator reached, jump out of loop
    call  CRC16    ; calculate new    crc
    call  SENDUART    ; send data to LCD
    incf  index,f    ; bump index
    goto  main1    ; loop
;
main2
    movlw  00h    ; shift accumulator 16 more bits.
    call  CRC16    ; This must be done after sending
    movlw  00h    ; string to CRC routine.
    call  CRC16    ;
;
    comf  accumh,f    ; invert result
    comf  accumul,f    ;
;
    movfw  accumul    ; get CRC low byte
    call  SENDUART    ; send to LCD
    movfw  accumh    ; get CRC hi byte
    call  SENDUART    ; send to LCD
;
stop
    goto  stop    ; word result of 0x93FA is in accumh/accuml
;=====
; calculate CRC of input byte
;-----
CRC16
    movwf  savchr    ; save the input character
    movwf  datareg    ; load data register
    movlw  8    ; setup number of bits to test
    movwf  j    ; save to incrementor
_loop
    clrc    ; clear carry for CRC register shift
    rrf    datareg,f    ; perform shift of data into CRC register

```



```

    rrf      accumh,f ;
    rrf      accuml,f ;
    btfs    STATUS,C ; skip jump if if carry
    goto    notset    ; otherwise goto next bit
    movlw   polyL      ; XOR poly mask with CRC register
    xorwf   accuml,F ;
    movlw   polyH      ;
    xorwf   accumh,F ;
_notset
    decfsz  j,F        ; decrement bit counter
    goto    loop       ; loop if not complete
    movfw   savchr     ; restore the input character
    return  ; return to calling routine
;=====
; USER SUPPLIED Serial port transmit routine
;-----
SENDUART
    return          ; put serial xmit routine here
;=====
; test string storage
;-----
    org     0100h
;
InputStr
    addwf   PCL,f
    dt      7h,10h,"This is a test. ",0
;
;=====
end

```

**Algorithm 4: “Visual Basic” Table Implementation**

Visual BASIC has its own challenges as a language (such as initializing static arrays), and it is also challenging to use Visual BASIC to work with “binary” (arbitrary length character data possibly containing nulls such as the “data” portion of the CFA635 packet) data. This routine was adapted from the C table implementation. The complete project can be found in our forums.

'Written by CrystalFontz America, Inc. 2004 <http://www.crystalfontz.com>  
'Free code, not copyright copyleft or anything else.  
'Some visual basic concepts taken from:  
'<http://www.planet-source code.com/vb/scripts/ShowCode.asp?txtCodeId=21434&lngWId=1>  
'most of the algorithm is from functions in 633 WinTest:  
'[http://www.crystalfontz.com/products/633/633\\_WinTest.zip](http://www.crystalfontz.com/products/633/633_WinTest.zip)  
'Full zip of the project is available in our forum:  
'<https://www.crystalfontz.com/forum/showthread.php?postid=9921#post9921>

```

Private Type WORD
Lo As Byte
Hi As Byte
End Type

Private Type PACKET_STRUCT
command As Byte data_length As
Byte data(22) As Byte
crc As WORD End Type

Dim crcLookupTable(256) As WORD

Private Sub MSComm_OnComm() 'Leave
this here

End Sub

```

'My understanding of visual basic is very limited--however it appears that there is no way 'to initialize an array of structures.



```
Sub Initialize_CRC_Lookup_Table()  
crcLookupTable(0).Lo = &H0  
crcLookupTable(0).Hi = &H0
```

```
.....  
'For purposes of brevity in this Datasheet, I have removed 251 entries of this  
table, the 'full source is available in our forum:
```

```
'https://www.crystalfontz.com/forum/showthread.php?postid=9921#post9921
```

```
.....  
crcLookupTable(255).Lo = &H78  
crcLookupTable(255).Hi = &HF  
End Sub
```

```
'This function returns the CRC of the array at data for length positions Private  
Function Get_CRC(ByRef data() As Byte, ByVal length As Integer) As WORD
```

```
Dim Index As Integer
```

```
Dim Table_Index As Integer
```

```
Dim newCrc As WORD newCrc.Lo = &HFF
```

```
newCrc.Hi = &HFF
```

```
For Index = 0 To length - 1
```

```
'exclusive-or the input byte with the low-order byte of the CRC register 'to get  
an index into crcLookupTable
```

```
Table_Index = newCrc.Lo Xor data(Index)
```

```
'shift the CRC register eight bits to the
```

```
right newCrc.Lo = newCrc.Hi
```

```
newCrc.Hi = 0
```

```
' exclusive-or the CRC register with the contents of Table at Table_Index newCrc.Lo
```

```
= newCrc.Lo Xor crcLookupTable(Table_Index).Lo
```

```
newCrc.Hi = newCrc.Hi Xor crcLookupTable(Table_Index).Hi
```

```
Next Index
```

```
'Invert & return newCrc Get_CRC.Lo =
```

```
newCrc.Lo Xor &HFF Get_CRC.Hi =
```

```
newCrc.Hi Xor &HFF
```

```
End Function
```

```
Private Sub Send_Packet(ByRef packet As PACKET_STRUCT)
```

```
Dim Index As Integer
```

```
'Need to put the whole packet into a linear array 'since you  
can't do type overrides. VB, gotta love it.
```

```
Dim linear_array(26) As Byte
```

```
linear_array(0) = packet.command linear_array(1) =  
packet.data_length
```

```
For Index = 0 To packet.data_length - 1
```

```
linear_array(Index + 2) = packet.data(Index)
```

```
Next Index
```

```
packet.crc = Get_CRC(linear_array, packet.data_length + 2) 'Might  
as well move the CRC into the linear array too
```

```
linear_array(packet.data_length + 2) = packet.crc.Lo
```

```
linear_array(packet.data_length + 3) = packet.crc.Hi
```

```
'Now a simple loop can dump it out the port. For
```

```
Index = 0 To packet.data_length + 3
```

```
MSComm.Output = Chr(linear_array(Index)) Next
```

```
Index
```

```
End Sub
```





### Algorithm 5: “Java” Table Implementation

This code was posted in our [forum](#) by user “norm” as a working example of a Java CRC calculation.

```
public class CRC16 extends Object
{
public static void main(String[] args)
{
    byte[] data = new byte[2];
    //hw - fw
    data[0] = 0x01; data[1] = 0x00;
    System.out.println("hw -fw req");
    System.out.println(Integer.toHexString(compute(data)));

    // ping
    data[0] = 0x00; data[1] = 0x00;
    System.out.println("ping");
    System.out.println(Integer.toHexString(compute(data)));

    // reboot
    data[0] = 0x05; data[1] = 0x00;
    System.out.println("reboot");
    System.out.println(Integer.toHexString(compute(data)));

    //clear lcd
    data[0] = 0x06; data[1] = 0x00;
    System.out.println("clear lcd");
    System.out.println(Integer.toHexString(compute(data)));

    // set line 1
    data = new byte[18]; data[0] = 0x07; data[1] = 0x10;
    String text = "Test Test Test ";
    byte[] textByte = text.getBytes();
    for (int i=0; i < text.length(); i++)
        data[i+2] = textByte[i];
    System.out.println("text 1");
    System.out.println(Integer.toHexString(compute(data)));
}
private CRC16()
{
}
```



```
private static final int[] crcLookupTable =
{
0x00000,0x01189,0x02312,0x0329B,0x04624,0x057AD,0x06536,0x074BF,
0x08C48,0x09DC1,0x0AF5A,0x0BED3,0x0CA6C,0x0DBE5,0x0E97E,0x0F8F7,
0x01081,0x00108,0x03393,0x0221A,0x056A5,0x0472C,0x075B7,0x0643E,
0x09CC9,0x08D40,0x0BFDB,0x0AE52,0x0DAED,0x0CB64,0x0F9FF,0x0E876,
0x02102,0x0308B,0x00210,0x01399,0x06726,0x076AF,0x04434,0x055BD,
0x0AD4A,0x0BCC3,0x08E58,0x09FD1,0x0EB6E,0x0FAE7,0x0C87C,0x0D9F5,
0x03183,0x0200A,0x01291,0x00318,0x077A7,0x0662E,0x054B5,0x0453C,
0x0BDCB,0x0AC42,0x09ED9,0x08F50,0x0FBEEF,0x0EA66,0x0D8FD,0x0C974,
0x04204,0x0538D,0x06116,0x0709F,0x00420,0x015A9,0x02732,0x036BB,
0x0CE4C,0x0DFC5,0x0ED5E,0x0FCD7,0x08868,0x099E1,0x0AB7A,0x0BAF3,
0x05285,0x0430C,0x07197,0x0601E,0x014A1,0x00528,0x037B3,0x0263A,
0x0DECD,0x0CF44,0x0FDDF,0x0EC56,0x098E9,0x08960,0x0BBFB,0x0AA72,
0x06306,0x0728F,0x04014,0x0519D,0x02522,0x034AB,0x00630,0x017B9,
0x0EF4E,0x0FEC7,0x0CC5C,0x0DDD5,0x0A96A,0x0B8E3,0x08A78,0x09BF1,
0x07387,0x0620E,0x05095,0x0411C,0x035A3,0x0242A,0x016B1,0x00738,
0x0FFCF,0x0EE46,0x0DCDD,0x0CD54,0x0B9EB,0x0A862,0x09AF9,0x08B70,
0x08408,0x09581,0x0A71A,0x0B693,0x0C22C,0x0D3A5,0x0E13E,0x0F0B7,
0x00840,0x019C9,0x02B52,0x03ADB,0x04E64,0x05FED,0x06D76,0x07CFF,
0x09489,0x08500,0x0B79B,0x0A612,0x0D2AD,0x0C324,0x0F1BF,0x0E036,
0x018C1,0x00948,0x03BD3,0x02A5A,0x05EE5,0x04F6C,0x07DF7,0x06C7E,
0x0A50A,0x0B483,0x08618,0x09791,0x0E32E,0x0F2A7,0x0C03C,0x0D1B5,
0x02942,0x038CB,0x00A50,0x01BD9,0x06F66,0x07EEF,0x04C74,0x05DFD,
0x0B58B,0x0A402,0x09699,0x08710,0x0F3AF,0x0E226,0x0D0BD,0x0C134,
0x039C3,0x0284A,0x01AD1,0x00B58,0x07FE7,0x06E6E,0x05CF5,0x04D7C,
0x0C60C,0x0D785,0x0E51E,0x0F497,0x08028,0x091A1,0x0A33A,0x0B2B3,
0x04A44,0x05BCD,0x06956,0x078DF,0x00C60,0x01DE9,0x02F72,0x03EFB,
0x0D68D,0x0C704,0x0F59F,0x0E416,0x090A9,0x08120,0x0B3BB,0x0A232,
0x05AC5,0x04B4C,0x079D7,0x0685E,0x01CE1,0x00D68,0x03FF3,0x02E7A,
0x0E70E,0x0F687,0x0C41C,0x0D595,0x0A12A,0x0B0A3,0x08238,0x093B1,
0x06B46,0x07ACF,0x04854,0x059DD,0x02D62,0x03CEB,0x00E70,0x01FF9,
0x0F78F,0x0E606,0x0D49D,0x0C514,0x0B1AB,0x0A022,0x092B9,0x08330,
0x07BC7,0x06A4E,0x058D5,0x0495C,0x03DE3,0x02C6A,0x01EF1,0x00F78
};
public static int compute(byte[] data)
{
int newCrc = 0xFFFF;
for (int i = 0; i < data.length; i++)
{
int lookup = crcLookupTable[(newCrc ^ data[i]) & 0xFF];
newCrc = (newCrc >> 8) ^ lookup;
}
return(~newCrc);
}
}
```



### Algorithm 6: "Perl" Table Implementation

This code was translated from the C version by one of our customers.

```
#!/usr/bin/perl use strict;
my @CRC_LOOKUP =
(0x00000,0x01189,0x02312,0x0329B,0x04624,0x057AD,0x06536,0x074BF,
0x08C48,0x09DC1,0x0AF5A,0x0BED3,0x0CA6C,0x0DBE5,0x0E97E,0x0F8F7,
0x01081,0x00108,0x03393,0x0221A,0x056A5,0x0472C,0x075B7,0x0643E,
0x09CC9,0x08D40,0x0BFDB,0x0AE52,0x0DAED,0x0CB64,0x0F9FF,0x0E876,
0x02102,0x0308B,0x00210,0x01399,0x06726,0x076AF,0x04434,0x055BD,
0x0AD4A,0x0BCC3,0x08E58,0x09FD1,0x0EB6E,0x0FAE7,0x0C87C,0x0D9F5,
0x03183,0x0200A,0x01291,0x00318,0x077A7,0x0662E,0x054B5,0x0453C,
0x0BDCB,0x0AC42,0x09ED9,0x08F50,0x0FBEB,0x0EA66,0x0D8FD,0x0C974,
0x04204,0x0538D,0x06116,0x0709F,0x00420,0x015A9,0x02732,0x036BB,
0x0CE4C,0x0DFC5,0x0ED5E,0x0FCD7,0x08868,0x099E1,0x0AB7A,0x0BAF3,
0x05285,0x0430C,0x07197,0x0601E,0x014A1,0x00528,0x037B3,0x0263A,
0x0DECD,0x0CF44,0x0FDDF,0x0EC56,0x098E9,0x08960,0x0BBFB,0x0AA72,
0x06306,0x0728F,0x04014,0x0519D,0x02522,0x034AB,0x00630,0x017B9,
0x0EF4E,0x0FEC7,0x0CC5C,0x0DDD5,0x0A96A,0x0B8E3,0x08A78,0x09BF1,
0x07387,0x0620E,0x05095,0x0411C,0x035A3,0x0242A,0x016B1,0x00738,
0x0FFCF,0x0EE46,0x0DCDD,0x0CD54,0x0B9EB,0x0A862,0x09AF9,0x08B70,
0x08408,0x09581,0x0A71A,0x0B693,0x0C22C,0x0D3A5,0x0E13E,0x0F0B7,
0x00840,0x019C9,0x02B52,0x03ADB,0x04E64,0x05FED,0x06D76,0x07CFF,
0x09489,0x08500,0x0B79B,0x0A612,0x0D2AD,0x0C324,0x0F1BF,0x0E036,
0x018C1,0x00948,0x03BD3,0x02A5A,0x05EE5,0x04F6C,0x07DF7,0x06C7E,
0x0A50A,0x0B483,0x08618,0x09791,0x0E32E,0x0F2A7,0x0C03C,0x0D1B5,
0x02942,0x038CB,0x00A50,0x01BD9,0x06F66,0x07EEF,0x04C74,0x05DFD,
0x0B58B,0x0A402,0x09699,0x08710,0x0F3AF,0x0E226,0x0D0BD,0x0C134,
0x039C3,0x0284A,0x01AD1,0x00B58,0x07FE7,0x06E6E,0x05CF5,0x04D7C,
0x0C60C,0x0D785,0x0E51E,0x0F497,0x08028,0x091A1,0x0A33A,0x0B2B3,
0x04A44,0x05BCD,0x06956,0x078DF,0x00C60,0x01DE9,0x02F72,0x03EFB,
0x0D68D,0x0C704,0x0F59F,0x0E416,0x090A9,0x08120,0x0B3BB,0x0A232,
0x05AC5,0x04B4C,0x079D7,0x0685E,0x01CE1,0x00D68,0x03FF3,0x02E7A,
0x0E70E,0x0F687,0x0C41C,0x0D595,0x0A12A,0x0B0A3,0x08238,0x093B1,
0x06B46,0x07ACF,0x04854,0x059DD,0x02D62,0x03CEB,0x00E70,0x01FF9,
0x0F78F,0x0E606,0x0D49D,0x0C514,0x0B1AB,0x0A022,0x092B9,0x08330,
0x07BC7,0x06A4E,0x058D5,0x0495C,0x03DE3,0x02C6A,0x01EF1,0x00F78);

# our test packet read from an enter key press over the serial line:
# type = 80 (key press)
# data_length = 1 (1 byte of data)
# data = 5

my $type = '80';
my $length = '01';
my $data = '05';

my $packet = chr(hex $type) .chr(hex $length) .chr(hex $data);
my $valid_crc = '5584' ;
print "A CRC of Packet ($packet) Should Equal($valid_crc)\n";
my $crc = 0xFFFF ;
printf("%x\n", $crc);

foreach my $char (split //, $packet)
{
    # newCrc = (newCrc >> 8) ^ crcLookupTable[(newCrc ^ *bufptr++) & 0xff];
    # & is bitwise AND
    # ^ is bitwise XOR
    # >> bitwise shift right
    $crc = ($crc >> 8) ^ $CRC_LOOKUP[( $crc ^ ord($char) ) & 0xFF] ;
    # print out the running crc at each byte
    printf("%x\n", $crc);
}
```



```
# get the complement
$crc = ~$crc ;
$crc = ($crc & 0xFFFF) ;

# print out the crc in hex
printf("%x\n", $crc);
```

**Algorithm 7: For PIC18F8722 or PIC18F2685**

This code was written by customer Virgil Stamps of ATOM Instrument Corporation for our CFA635 module.

```
;CRC Algorithm for CrystalFontz CFA635 display (DB535)
; This code written for PIC18F8722 or PIC18F2685
;
; Your main focus here should be the ComputeCRC2 and
; CRC16_ routines
;
;=====
ComputeCRC2:
    movlb          RAM8
    movwf         dsplyLPCNT          ;w has the byte count
nxt1_dsply:
    movf          POSTINC1           ;w
    call          CRC16
    decfsz       dsplyLPCNT
    goto         nxt1_dsply
    movlw        .0                  ;shift accumulator 16 more bits
    call         CRC16
    movlw        .0
    call         CRC16
    comf         dsplyCRC,F          ;invert result
    comf         dsplyCRC+1,F
    return
;=====
CRC16    movwf:
    dsplyCRCData          ;w has the byte crc
    movlw        .8
    movwf       dsplyCRCCount
_cloop:
    bcf          STATUS,C           ; clear carry for CRC register shift
    rrcf        dsplyCRCData,f     ; perform shift of data into CRC
                                ; register
    rrcf        dsplyCRC,F
    rrcf        dsplyCRC+1,F
    btfss      STATUS,C           ; skip jump if carry
    goto        notset            ; otherwise goto next bit
    movlw      0x84                ; XOR poly mask with CRC register
    xorwf      dsplyCRC,F
_notset:
    decfsz     dsplyCRCCount,F     ; decrement bit counter
    bra       _cloop              ; loop if not complete
    return
;=====
; example to clear screen
dsplyFSR1_TEMP equ 0x83A          ;          ; 16-bit save for FSR1 for display
                                ; message handler
dsplyCRC        equ 0x83C          ; 16-bit CRC (H/L)
dsplyLPCNT      equ 0x83E          ; 8-bit save for display message
                                ; length - CRC
dsplyCRCData    equ 0x83F          ; 8-bit CRC data for display use
dsplyCRCCount   equ 0x840          ; 8-bit CRC count for display use
SendCount       equ 0x841          ; 8-bit byte count for sending to
                                ; display
RXBUF2          equ 0x8C0          ; 32-byte receive buffer for
```



```

; Display
TXBUF2          equ 0x8E0          ; 32-byte transmit buffer for
; Display
;-----
ClearScreen:
    movlb        RAM8
    movlw        .0
    movwf        SendCount
    movlw        0xF3
    movwf        dsplyCRC          ; seed hi for CRC calculation
    movlw        0x21
    movwf        dsplyCRC+1        ; seen lo for CRC calculation
    call         ClaimFSR1
    movlw        0x06
    movwf        TXBUF2
    LFSR         FSR1,TXBUF2
    movf         SendCount,w
    movwf        TXBUF2+1          ; message data length
    call         BMD1
    goto         SendMsg
;=====
; send message via interrupt routine. The code is made complex due
; to the limited FSR registers and extended memory space used
;
; example of sending a string to column 0, row 0
;-----
SignOnL1:
    call         ClaimFSR1
    lfsr         FSR1,TXBUF2+4      ; set data string position
    SHOW         C0R0,BusName       ; move string to TXBUF2
    movlw        .2
    addwf        SendCount
    movff        SendCount,TXBUF2+1 ; insert message data length
    call         BuildMsgDSPLY
    call         SendMsg
    return
;=====
; BuildMsgDSPLY used to send a string to LCD
;-----
BuildMsgDSPLY:
    movlw        0xF3
    movwf        dsplyCRC          ; seed hi for CRC calculation
    movlw        0x21
    movwf        dsplyCRC+1        ; seed lo for CRC calculation
    LFSR         FSR1,TXBUF2        ; point at transmit buffer
    movlw        0x1F
    movwf        TXBUF2            ; insert command byte from us to
    ; CFA635
    BMD1         movlw .2
    ddwf         SendCount,w        ; + overhead
    call         ComputeCRC2        ; compute CRC of transmit message
    movf         dsplyCRC+1,w
    movwf        POSTINC1          ; append CRC byte
    movf         dsplyCRC,w
    movwf        POSTINC1          ; append CRC byte
    return
;=====
SendMsg:
    call         ReleaseFSR1
    LFSR         FSR0,TXBUF2
    movff        FSR0H,irptFSR0
    movff        FSR0L,irptFSR0+1
    ; save interrupt use of FSR0
    movff        SendCount,TXBUSY2
    bsf          PIE2,TX2IE

```



```
                                ; set transmit interrupt enable
                                ; (bit 4)
    return
;=====
; macro to move string to transmit buffer
SHOW macro      src,      stringname
    call        src
    MOVLF      upper stringname, TBLPTRU
    MOVLF      high stringname, TBLPTRH
    MOVLF      low stringname, TBLPTRL
    call        MOVE_STR
    endm
;=====
MOVE_STR:
    tblrd      *+
    movf      TABLAT,w
    bz        mslb
    movwf     POSTINC1
    incf     SendCount
    goto     MOVE_STR

mslb:
    return
;=====
```