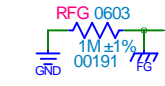
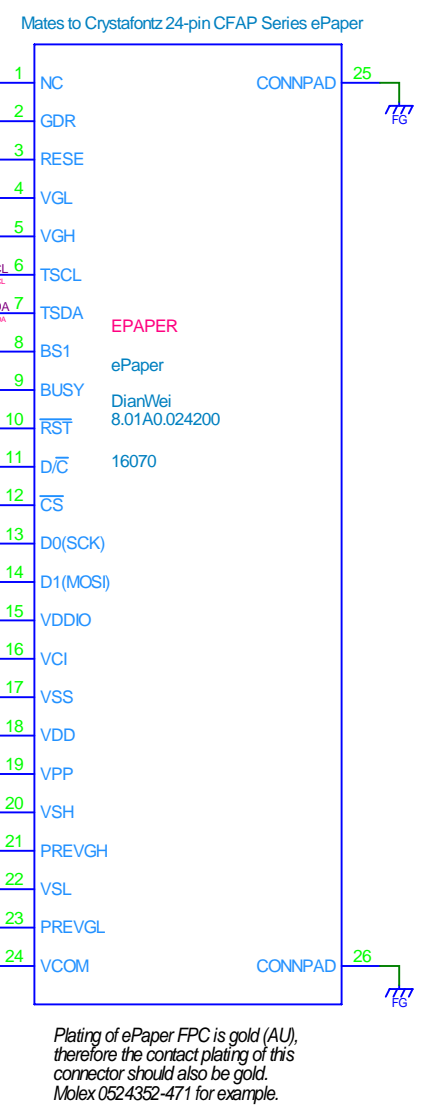
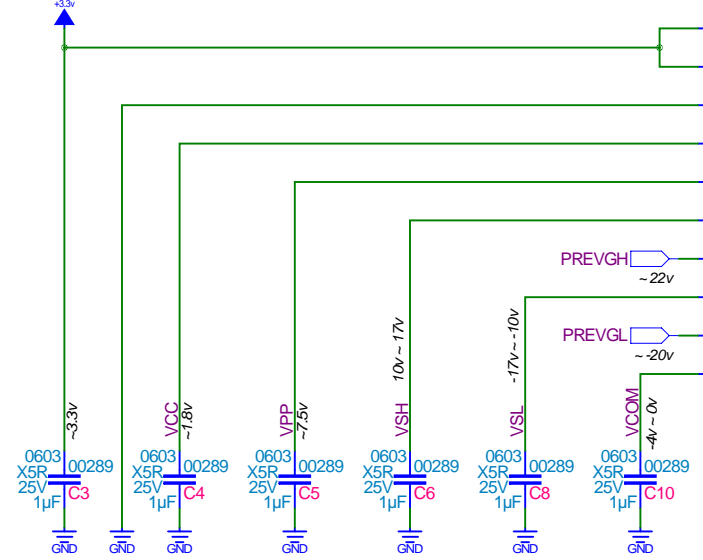
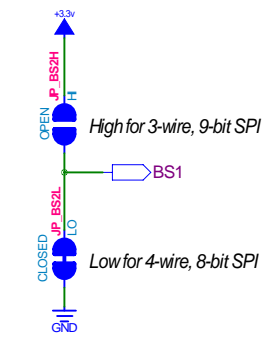
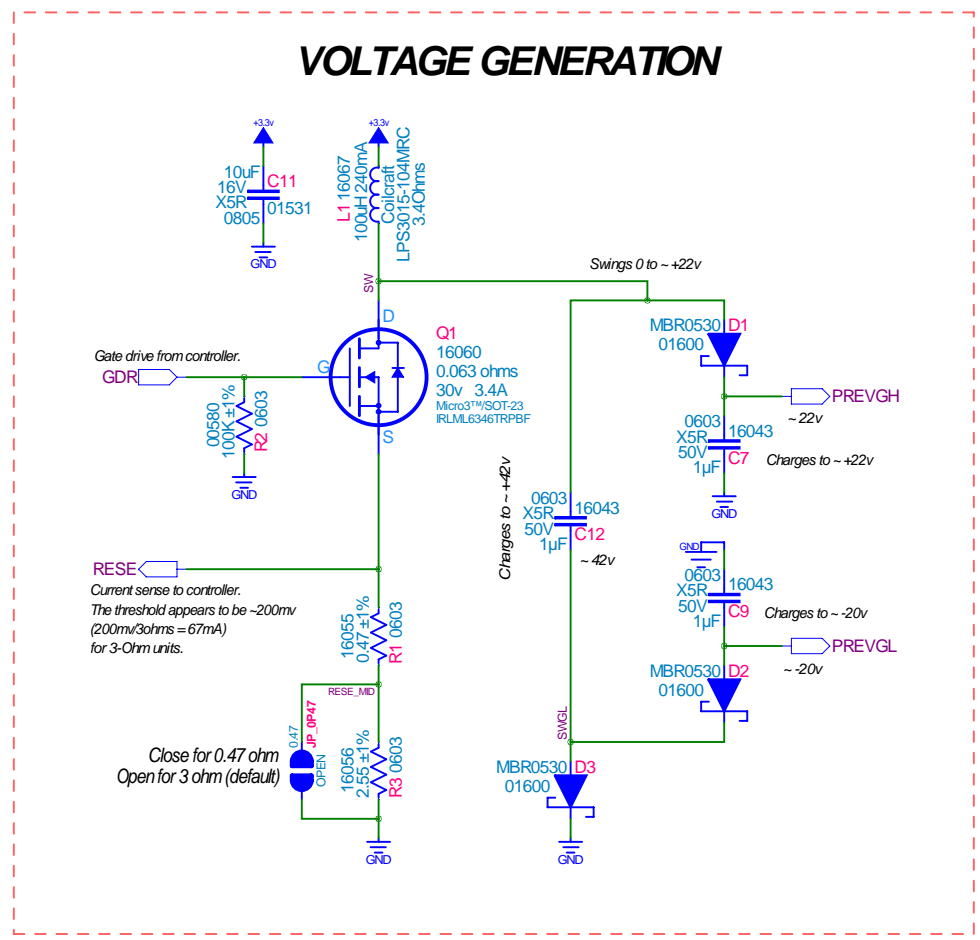
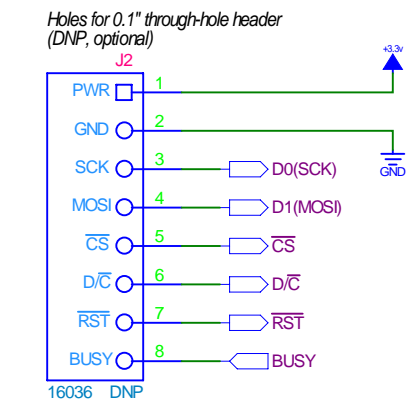
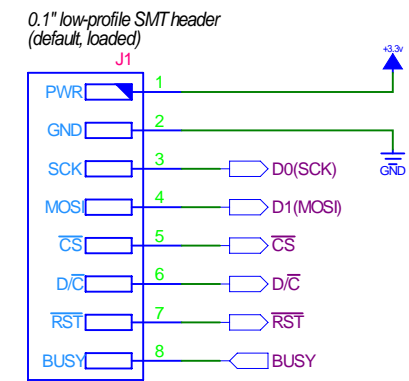
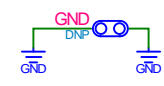


| REV | ENGINEER | DATE | REMARKS |
|-----|----------|------------|--|
| 0v0 | BAC | 2018-04-04 | Initial Creation |
| 0v1 | BAC | 2018-05-17 | Ind val, C12 val, JP_0P47 open, CN FPC |
| - | - | - | - |
| - | - | - | - |
| - | - | - | - |

ESD border discharge



Scope Ground



Example design for reference only.

Crystalfontz America, Inc.
 CFA-10084: ePaper Adapter Board 24-pin
 Page 1/1: Schematic

| | | | |
|-----------------------------------|---------------------------------|---------------------------------|-----------------------------|
| PRODUCT NAME: CFA-10084 | PRODUCT REVISION: 0v1 | PCB NUMBER: PCB-10084 | PCB REVISION: 0v1 |
|-----------------------------------|---------------------------------|---------------------------------|-----------------------------|

Copyright © 2018
Crystalfontz America, Inc.