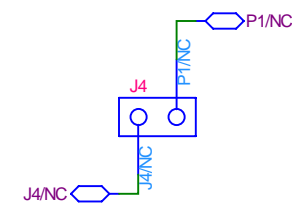
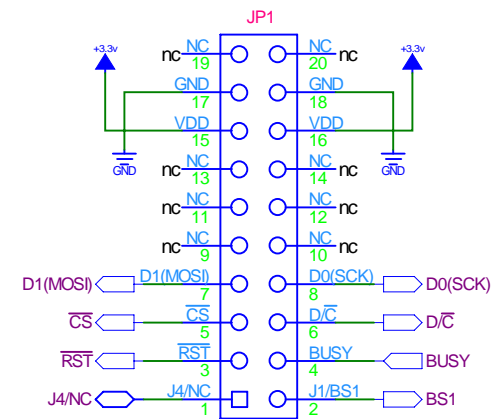
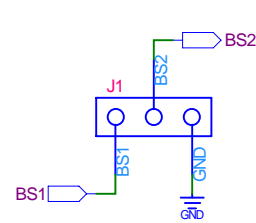


| REV | ENGINEER | DATE | REMARKS |
|-----|----------|------------|------------------|
| 0v0 | BAC | 2017-08-09 | Initial Creation |
| - | - | - | - |
| - | - | - | - |
| - | - | - | - |
| - | - | - | - |

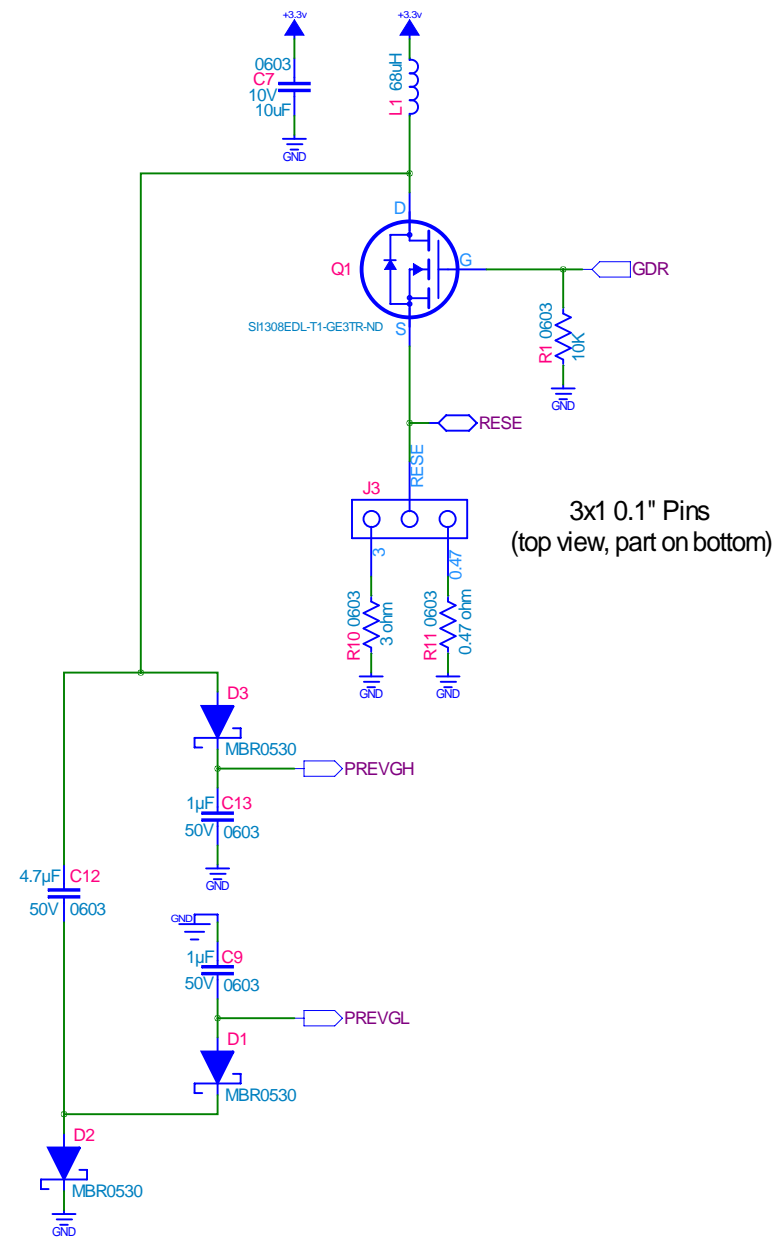
2x1 0.1" Pins
(top view, part on bottom)



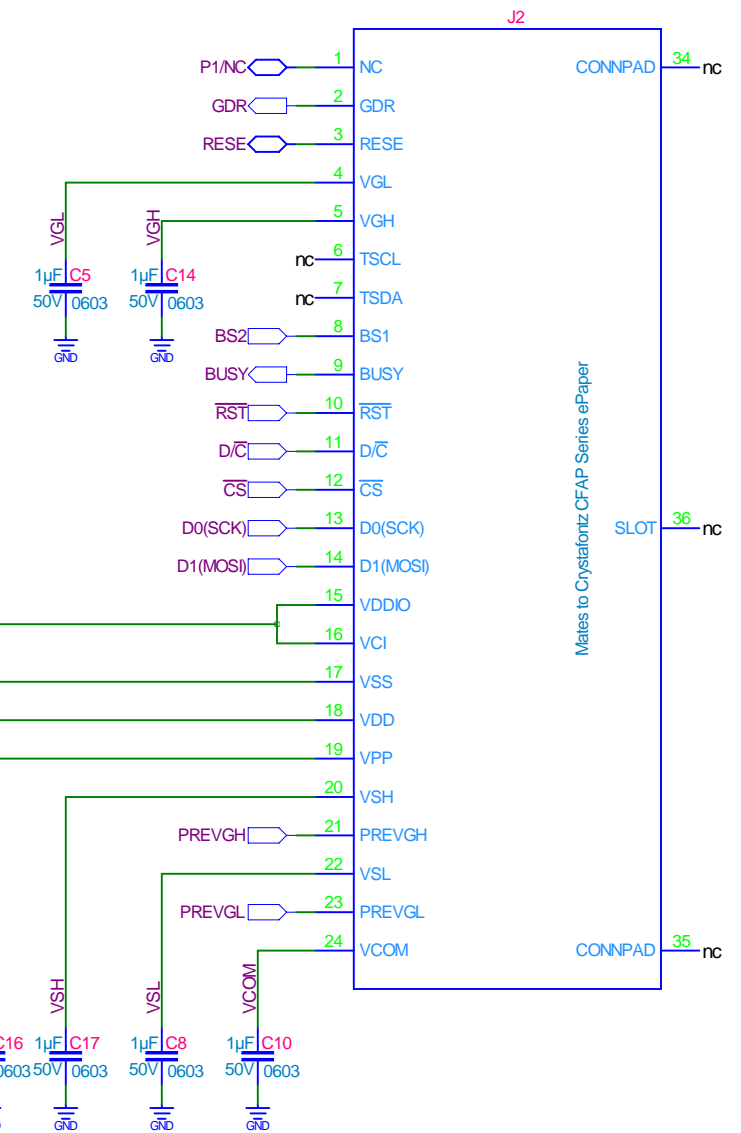
3x1 0.1" Pins
(top view, part on bottom)



2x10 0.1" Socket
(top view, part on bottom)



3x1 0.1" Pins
(top view, part on bottom)



Example design for reference only.

Crystalfontz America, Inc.

Copyright © 2017
Crystalfontz America, Inc.

CFAPN15087: ePaper Breakout Board Schematic

Page 1/1: CFAPN15087

| | | | |
|------------------------------------|---------------------------------|----------------------------------|-----------------------------|
| PRODUCT NAME: CFAPN15087 | PRODUCT REVISION: 0v0 | PCB NUMBER: CFAPN15087 | PCB REVISION: 0v0 |
|------------------------------------|---------------------------------|----------------------------------|-----------------------------|