



## INTELLIGENT LCD MODULE SPECIFICATIONS



Datasheet Release 2017-03-06  
for  
**CFA633-TMI-KU**

Hardware Version: v2.1  
Firmware Version: u2.2

### **Crystalfontz America, Inc.**

12412 East Saltese Avenue  
Spokane Valley, WA 99216-0357  
Phone: 888-206-9720  
Fax: 509-892-1203  
Email: [support@crystalfontz.com](mailto:support@crystalfontz.com)  
URL: [www.crystalfontz.com](http://www.crystalfontz.com)

## **Table of Contents**

<b>1. General Information .....</b>	<b>6</b>
<b>2. Introduction .....</b>	<b>7</b>
2.1. Comparison to CFA533.....	7
2.2. Main Features .....	7
2.3. Module Classification Information .....	8
2.4. Ordering Information .....	8
2.5. Drive Bay Mounting Bracket .....	9
2.6. Cables .....	10
<b>3. Mechanical Characteristics.....</b>	<b>11</b>
3.1. Physical Characteristics .....	11
3.2. Jumper Locations and Functions (All Interfaces).....	11
<b>4. Optical Characteristics .....</b>	<b>14</b>
4.1. Definition of Viewing Angles .....	14
<b>5. Electrical Specifications.....</b>	<b>15</b>
5.1. System Block Diagram.....	15
<b>6. Supply Voltages and Current.....</b>	<b>16</b>
6.1. Absolute Maximum Ratings .....	16
6.2. DC Characteristics .....	16
6.3. “12v” Fan/GPO Characteristics.....	16
6.4. GPIO[0] – GPIO[4] Characteristics .....	17
6.5. RS-232 Characteristics .....	18
6.6. LED Backlight Information.....	18
<b>7. USB Connection to Host .....</b>	<b>19</b>
7.1. USB Connection to Host.....	19
7.2. Standard Power Connection.....	19
7.3. Connecting 5v Power.....	20
7.4. Connecting 12v Power for Fans.....	21
7.5. Ground Connections .....	22
<b>8. ATX Power Supply and Control Connections .....</b>	<b>23</b>
<b>9. Fan Connections .....</b>	<b>26</b>
9.1. Connect Optional Crystalfontz WR-DOW-Y17 Temperature Sensors .....	28

<b>10. Host Communications .....</b>	<b>29</b>
10.1. Packet Structure.....	29
10.2. About Handshaking.....	30
10.3. Report Codes .....	30
0x80: Key Activity .....	30
0x81: Fan Speed Report .....	31
0x82: Temperature Sensor Report.....	32
10.4. Command Codes .....	32
0 (0x00): Ping Command .....	32
1 (0x01): Get Hardware & Firmware Version.....	33
2 (0x02): Write User Flash Area.....	33
3 (0x03): Read User Flash Area .....	33
4 (0x04): Store Current State as Boot State .....	33
5 (0x05): Reboot CFA633, Reset Host, or Power Off Host .....	34
6 (0x06): Clear LCD Screen.....	36
7 (0x07): Set LCD Contents, Line 1 .....	36
8 (0x08): Set LCD Contents, Line 2 .....	37
9 (0x09): Set LCD Special Character Data .....	37
10 (0x0A): Read 8 Bytes of LCD Memory.....	37
11 (0x0B): Set LCD Cursor Position .....	38
12 (0x0C): Set LCD Cursor Style .....	38
13 (0x0D): Set LCD Contrast .....	38
14 (0x0E): Set LCD & Keypad Backlight.....	39
15 (0x0F): (Deprecated).....	39
16 (0x10): Set Up Fan Reporting .....	39
17 (0x11): Set Fan Power .....	39
18 (0x12): Read DOW Device Information .....	40
19 (0x13): Set Up Temperature Reporting.....	41
20 (0x14): Arbitrary DOW Transaction.....	42
21 (0x15): Set Up Live Fan or Temperature Display .....	43
22 (0x16): Send Command Directly to the LCD Controller .....	43
23 (0x17): Configure Key Reporting .....	44
24 (0x18): Read Keypad, Polled Mode .....	44
25 (0x19): Set Fan Power Fail-Safe.....	45
26 (0x1A): Set Fan Tachometer Glitch Filter .....	45
27 (0x1B): Query Fan Power & Fail-Safe Mask.....	46
28 (0x1C): Set ATX Power Switch Functionality.....	47
29 (0x1D): Enable/Disable and Reset the Watchdog .....	49
30 (0x1E): Read Reporting & Status.....	49
31 (0x1F): Send Data to LCD.....	50
32 Reserved for CFA631 Key Legends .....	50
33 (0x21): Set Baud Rate.....	50
34 (0x22): Set or Set and Configure GPIO Pins .....	50
35 (0x23): Read GPIO Pin Levels and Configuration State.....	52
<b>11. Character Generator ROM (CGROM) .....</b>	<b>54</b>
<b>12. LCD Module Reliability and Longevity.....</b>	<b>55</b>
12.1. Module Longevity (EOL / Replacement Policy).....	55
<b>13. Care and Handling Precautions.....</b>	<b>56</b>
13.1. ESD (Electrostatic Discharge).....	56

13.2. <i>Design and Mounting</i> .....	56
13.3. <i>Avoid Shock, Impact, Torque, or Tension</i> .....	56
13.4. <i>If LCD Panel Breaks</i> .....	56
13.5. <i>Cleaning</i> .....	56
13.6. <i>Operation</i> .....	57
13.7. <i>Storage and Recycling</i> .....	57
<b>14. Mechanical Drawings</b> .....	<b>58</b>
<b>15. Appendix A: Demonstration Software and Sample Code</b> .....	<b>62</b>

## **Table of Figures**

Figure 1. Bracket (Black Overlay with Logo).....	9
Figure 2. CFA633 HW v2.1 Jumper Locations and Functions.....	11
Figure 3. Definition of 6:00 o'clock and 12:00 o'clock Viewing Angles .....	14
Figure 4. System Block Diagram.....	15
Figure 5. 5v Power Connection.....	20
Figure 6. 12v Power Connection Option .....	21
Figure 7. 12v Power Connection Option .....	22
Figure 8. ATX Power Supply and Control Connections.....	23
Figure 9. ATX Power Supply and Control Using Crystalfontz WR-PWR-Y14 Cable .....	25
Figure 10. Four Fan Connectors .....	26
Figure 11. Graph showing fan PWM power (% on time) for various fan RPM.....	27
Figure 12. J_DOW Connection for WR-DOW-Y17 Temperature Sensor .....	28
Figure 13. Character Generator ROM (CGROM) .....	54

## 1. General Information

### Datasheet Revision History

Datasheet Version: **2017-03-06**  
Hardware Version: **v2.1**  
Firmware Version: **u2.2**

This datasheet has been updated to reflect hardware version v2.1, firmware u2.2 for the CFA633-TMI-KU LCD module.

For information about firmware and hardware revisions, see the Part Change Notifications (PCNs) under “News” in our website’s navigation bar. To see the most recent PCN for the CFA633 family at the time of this datasheet release, see [PCN #10730](#).

Previous datasheet Version: **2012-02-21**

For reference, previous datasheets may be downloaded by clicking the “Show Previous Versions of Datasheet” link under the “Datasheets and Files” tab of the product web page.

### Product Change Notifications

To check for or subscribe to “Part Change Notices” for this display module, see the [Product Notices](#) tab on the product’s webpage.

### Variations

Slight variations (for example, contrast, color, or intensity) between lots are normal.

### Volatility

This display module has volatile memory.

### Disclaimer

Certain applications using Crystalfontz America, Inc. products may involve potential risks of death, personal injury, or severe property or environmental damage (“Critical Applications”). CRYSTALFONTZ AMERICA, INC. PRODUCTS ARE NOT DESIGNED, INTENDED, AUTHORIZED, OR WARRANTED TO BE SUITABLE FOR USE IN LIFE-SUPPORT APPLICATIONS, DEVICES OR SYSTEMS OR OTHER CRITICAL APPLICATIONS. Inclusion of Crystalfontz America, Inc. products in such applications is understood to be fully at the risk of the customer. In order to minimize risks associated with customer applications, adequate design and operating safeguards should be provided by the customer to minimize inherent or procedural hazard. Please contact us if you have any questions concerning potential risk applications.

Crystalfontz America, Inc. assumes no liability for applications assistance, customer product design, software performance, or infringements of patents or services described herein. Nor does Crystalfontz America, Inc. warrant or represent that any license, either express or implied, is granted under any patent right, copyright, or other intellectual property right of Crystalfontz America, Inc. covering or relating to any combination, machine, or process in which our products or services might be or are used.

All specifications in datasheets on our website are, to the best of our knowledge, accurate but not guaranteed. Corrections to specifications are made as any inaccuracies are discovered.

Company and product names mentioned in this publication are trademarks or registered trademarks of their respective owners.

Copyright © 2017 by Crystalfontz America, Inc., 12412 East Saltese Avenue, Spokane Valley, WA 99216 U.S.A.

## 2. Introduction

### 2.1. Comparison to CFA533

If your project does not need the fan connections, the CFA533 family is an economical replacement for the CFA633 family. The CFA533 can be used in 3.3v or 5v systems, where the CFA-633 is limited to 5v systems.

### 2.2. Main Features

- 16 characters x 2-lines LCD with keypad and high-level interface. The display will fit nicely in a 1U rack mount case (35 mm overall height).
- A single 5v supply is needed for micro-controller, backlight, and LCD. Supplying the optional 12v will allow control of 4 fans.
- Four fan connectors with RPM monitoring and variable fan power control (PWM).
- A fail-safe fan power setting allows safe host fan control based on temperature.
- “Live Display” shows up to eight temperature or fan readings without host intervention, allowing fan RPMs and temperatures to be shown immediately at boot, even before the host operating system is loaded.
- Adjustable, long-life backlights are driven from the 5v supply at constant current. Their brightness is independent of power supply variations.
- Full-speed USB interface (-KU versions).
- Bidirectional “full-duplex” 19200 / 115200 baud ESD-protected RS-232 interface (-KS versions).
- Robust packet based communications protocol with 16-bit CRC.
- Module has a 6 o’clock viewing direction. Please see [Optical Characteristics](#).
- Integrated, LED-backlit, 6-button translucent silicon keypad has four directional arrows, Enter, and Cancel.
- Edge-lit white LED backlight with negative STN blue transmissive mode LCD. Display shows light characters on a deep blue background.
- The display can be read in normal office lighting and in dark areas. May be difficult to read in direct sunlight.
- Nonvolatile memory capability (EEPROM): Set the “power on” display screen, plus 16-bytes for storing IP, netmask, system serial number, or other data.
- These options can be added to your display after clicking on the “Customize and Add to Cart” button:
  - ATX power supply control functionality allows the keypad buttons on the CFA633 to replace the Power and Reset switches on your system, simplifying front panel design. The ATX functionality can also implement a hardware watchdog that can reset host system on host software failure.
  - Temperature monitoring: up to 32 channels at 0.5-degree Celsius absolute accuracy (using optional connector and CrystalFontz [WR-DOW-Y17](#) cables.
  - An optional 5.25-inch half-height drive bay kit with mounting bracket is available. Please see [CFA633 Kit Configurator](#).
- CrystalFontz America, Inc. is ISO 9001:2008 certified.
- A Declaration for Conformity, RoHS, and REACH:SVHC are available under the Datasheets & Files tab on display web pages.

### 2.3. Module Classification Information









CFA
633
-
T
M
I
-
K
U

1
2
3
4
5
6
7

<b>1</b>	<b>Brand</b>	CrystalFontz America, Inc.
<b>2</b>	<b>Model Identifier</b>	633
<b>3</b>	<b>Backlight Type &amp; Color</b>	T – LED, white
<b>4</b>	<b>Fluid Type, Image (positive or negative), &amp; LCD Glass Color</b>	M – STN, negative blue
<b>5</b>	<b>Polarizer Film Type, Temperature Range, &amp; View Angle (O 'Clock)</b>	I – Transmissive, Wide Temperature Range <sup>1</sup> , 6:00
<b>6</b>	<b>Special Code 1</b>	K – Manufacturer's code
<b>7</b>	<b>Interface</b>	U – USB

<sup>1</sup>Wide Temperature Range is -20°C minimum to +70°C maximum.

### 2.4. Ordering Information

PART NUMBER	FLUID	LCD GLASS COLOR	IMAGE	POLARIZER FILM	BACKLIGHT COLOR/TYPE
<b>CFA633-TMI-KU (USB)</b>	<b>STN</b>	<b>blue</b>	<b>negative</b>	<b>transmissive</b>	<b>LCD: white edge LEDs</b> <b>Keypad: blue LEDs</b> 
<i>Additional variants (same form factor, different LCD mode or backlight):</i>					
CFA633-TMI-KS ("full swing" RS- 232)	STN	blue	negative	transmissive	LCD: white edge LEDs Keypad: blue LEDs 
CFA633-TFH-KU ("full swing" USB)	FSTN	neutral	positive	transflective	LCD: white edge LEDs Keypad: white LEDs 
CFA633-TFH-KS ("full swing" RS-232)	FSTN	neutral	positive	transflective	LCD: white edge LEDs Keypad: white LEDs 
CFA633-YYH-KU (USB)	STN	yellow-green	positive	transflective	LCD: yellow-green edge LEDs Keypad: yellow-green LEDs 
CFA633-YYH-KS ("full swing" RS-232)	STN	yellow-green	positive	transflective	LCD: yellow-green edge LEDs Keypad: yellow-green LEDs 
CFA633-RDI-KU (USB)	FFSTN	near-black	negative	transmissive	LCD: red edge LEDs Keypad: red LEDs 
CFA633-RDI-KS ("full swing" RS-232)	FFSTN	near-black	negative	transmissive	LCD: red edge LEDs Keypad: red LEDs 



## 2.5. Drive Bay Mounting Bracket







On the webpage for [CFA633-TMI-KU](#), after you click the “Customize and Add to Cart” button, you will see a list of options for different cables, connectors and the drive bay bracket.



Figure 1. Bracket (Black Overlay with Logo)

## 2.6. Cables

Below is a list of some of the cables we offer to make it easy to integrate the CFA633 into your system. Please note that cable lengths are approximate. Common configurations are described in [Connection Information](#).

<b>Crystalfontz Cable</b>	<b>Image</b>	<b>Description</b> <b>All Cables Are RoHS Compliant</b>
<a href="#">WR-PWR-Y12</a> ~13 inches		Cable allows you to plug a 4-pin “hard drive style” Molex power connector into the module’s “floppy drive style” power connector, plus provides an additional female 4-pin Molex connector.
<a href="#">WR-232-Y08</a> ~27 inches		Use this ribbon cable to supply communications. Connect cable’s 10-pin female connector to the module’s J_RS232 male connector. Connect cable’s RS232 DB9 9-pin female connector to host’s DB9 9-pin male serial port. Default or alternate motherboard RS-232 pinouts can be accommodated by changing jumpers on the CFA633.
<a href="#">WR-232-Y22</a> ~26 inches		Use this cable to supply communications. Connect one of the 10-pin female connectors to the module’s J_RS232 10-pin male connector. Connect cable’s second 10-pin female connector to host’s motherboard 10-pin male connector. This cable supports standard or alternate pinout motherboard RS-232 connections without changing jumpers on the module.
<a href="#">WR-PWR-Y14</a> ~24 inches		Use this ATX power cable to turn an ATX power supply on and off, or power cycle the host through the module. Connect the cable’s male 7-pin connector to the module’s J8 female connector. (Requires optional 7-in female connector at J8 on module. Select J8 connector after you click on the module’s website page button “Customize and Add to Cart”.)
<a href="#">WR-FAN-X01</a> ~16 inches		Fan extension cable for standard 3-pin fans.
<a href="#">WR-DOW-Y17</a> ~12 inches + ~12 inches between connectors		Connect (“daisy chain”) up to 32 of these DOW (Dallas One-Wire) DS18B20 temperature sensor cables. Requires optional DOW connector at J_DOW on module. (Select DOW connector after you click on the module’s website page button “Customize and Add to Cart”.)

### 3. Mechanical Characteristics

#### 3.1. Physical Characteristics

Item	Specification (mm)	Specification (inch, reference)
Module Overall Dimensions		
Width and Height	110.5 (W) x 35.0 (H)	4.35 (W) x 1.378 (H)
Depth without Keypad	20.1	0.791
Maximum Depth with Keypad	25.9	1.020
Viewing Area	61.0 (W) x 15.8 (H)	2.402 (W) x 0.622 (H)
Active Area	56.20 (W) x 11.5 0(H)	2.213 (W) x 0.453 (H)
Character Size	2.95 (W) x 5.55 (H)	0.116 (W) x 0.219 (H)
Dot Size	0.55 (W) x 0.65 (H)	0.022 (W) x 0.026 (H)
Keystroke Travel (approximate)	2.4	0.094
Weight	42 grams (typical)	1.48 ounces

#### 3.2. Jumper Locations and Functions (All Interfaces)

All jumpers are configurable, but not all jumpers will affect your interface (serial or USB). Close the jumpers by melting a ball of solder across their gap. Reopen the jumpers by removing the solder with a solder wick. Where applicable, the corresponding resistor must also be removed to open a jumper (RJP2 must be removed for JP2 to be open, for example).

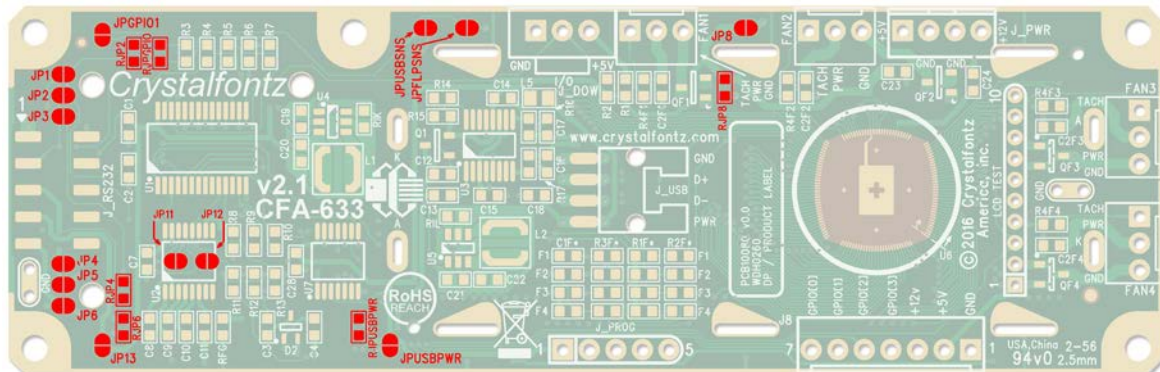
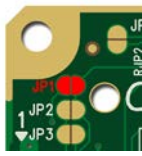
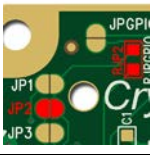
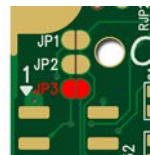
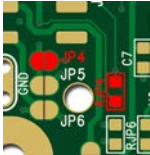
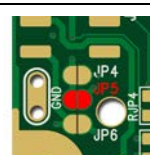
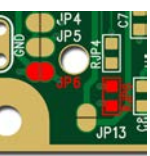
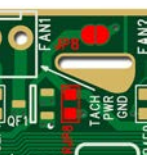
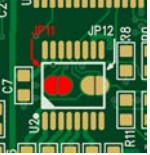
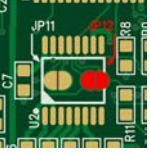
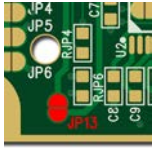

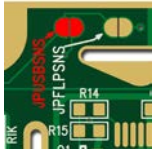
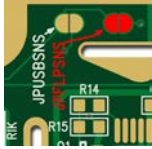
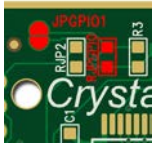


Figure 2. CFA633 HW v2.1 Jumper Locations and Functions

### Jumper Locations and Functions (All Interfaces)

JP1		open	J1 (RS232), Pin 10 is open
		closed	LCD Tx/Host Rx to J1 (RS232), Pin 10
JP2 RJP2		open	J1 (RS232), Pin 2 is open (see also JP3 and JP11)
		closed	LCD Tx/Host Rx to J1 (RS232), Pin 10
JP3		open	J1 (RS232), Pin 2 is open (see also JP2 and JP11)
		closed	LCD Tx/Host Rx to J1 (RS232), Pin 2
JP4 RJP4		open	J1 (RS232), Pin 3 is open (see also JP5 and JP12)
		closed	LCD Rx/Host Rx to J1 (RS232), Pin 3
JP5		open	J1 (RS232), Pin 3 is open (see also JP4 and JP12)
		closed	Ground to J1 (RS232), Pin 3
JP6 RJP6		open	J1 (RS232), Pin 5 is open
		closed	Ground to J1 (RS232), Pin 5
JP8 RJP8		open	+5v pin from PWR connector is open (see also JP9)
		closed	+5v pin from PWR connector supplies power to module
JP11		open	J1 (RS232), Pin 2 is open (see also JP2 and JP3)
		closed	Logic-level (0-5v) LCD Tx/Host Rx to J1 (RS232), Pin 2
JP12		open	J1 (RS232), Pin 3 is open (see also JP4 and JP5)
		closed	Logic-level (0-5v) LCD Rx/Host Rx /Tx to J1 (RS232), Pin 3

JP13		open	J1 (RS232), Pin 4 is open
		closed	+5v to J1 (RS232), Pin 4
JPUSBPWR RJUSBPWR		open	Module +5v power independent of USB
		closed	Module +5v power supplied from USB
JPUSBSNS		open	No function
		closed	+5v from USB is connected to processor's ATX SENSE
JPFLPSNS		open	No function
		closed	+5v from floppy is connected to processor's ATX SENSE
JPGPIO1 RJGPIO1		open	Adds 5K $\Omega$ series resistor for ATX host power sense
		closed	GPIO[1] direct connection

## 4. Optical Characteristics

### 4.1. Definition of Viewing Angles

This module has a **6:00 o'clock** viewing angle.

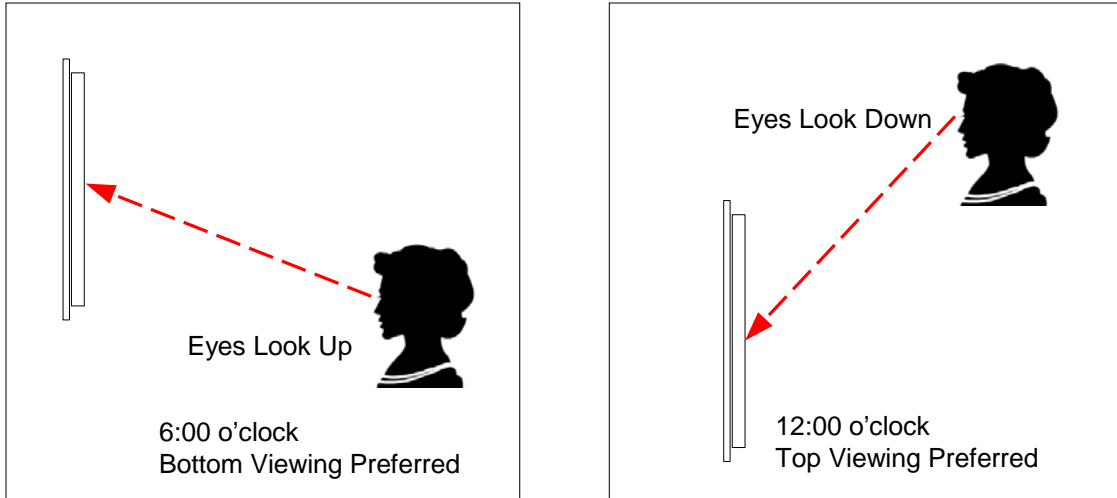


Figure 3. Definition of 6:00 o'clock and 12:00 o'clock Viewing Angles

## 5. Electrical Specifications

### 5.1. System Block Diagram

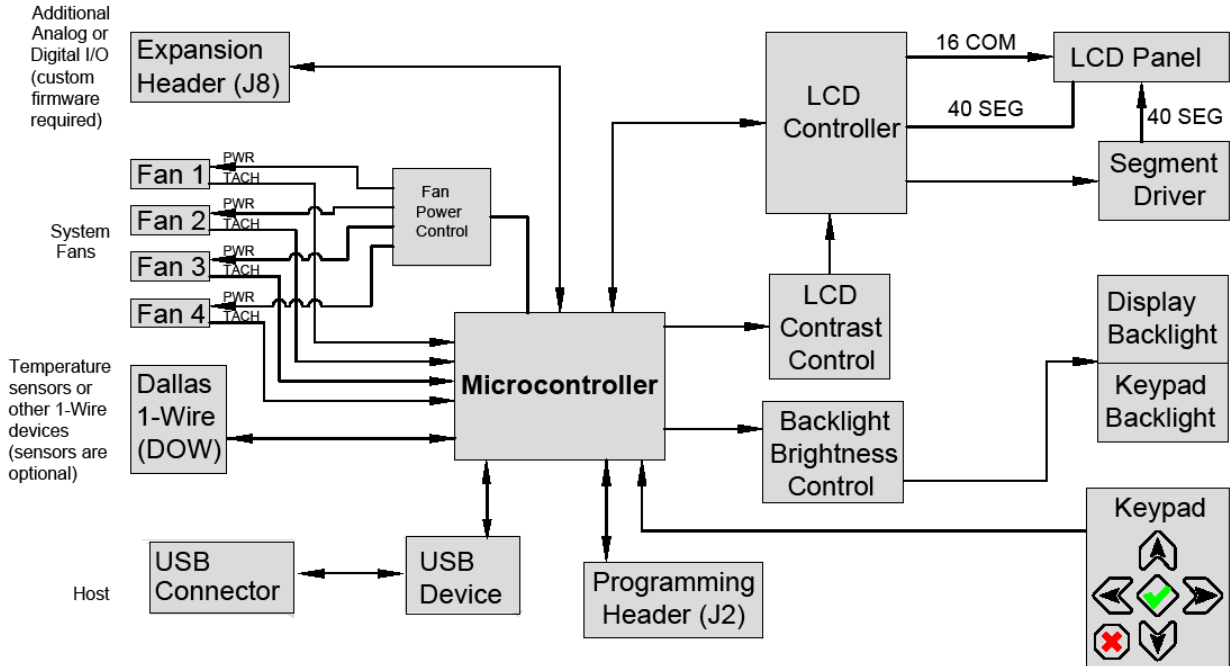


Figure 4. System Block Diagram

## 6. Supply Voltages and Current

### 6.1. Absolute Maximum Ratings

Absolute Maximum Ratings	Symbol	Minimum	Maximum
Operating Temperature	T <sub>OP</sub>	-20°C	+70°C
Storage Temperature	T <sub>ST</sub>	-30°C	+80°C
Humidity Range (Non-condensing)	RH	10%	90%
Supply Voltage for Logic	V <sub>DD</sub>	0v	+5.5v

*Please note that these are stress ratings only. Extended exposure to the absolute maximum ratings listed above may affect device reliability or cause permanent damage. Functional operation of the module at these conditions beyond those listed under DC Characteristics is not implied.*

### 6.2. DC Characteristics

5v Module Supply Voltage	Minimum	Nominal	Maximum
Supply voltage for LCD, backlights, and logic	+4.75v	+5v	+5.25v

5v Typical Current Consumption	Specification
+5v (LCD, microcontroller, with backlight <b>off, 0%</b> )	6mA ~ 10mA typical
+5v (LCD, microcontroller, with backlight <b>on, 100%</b> )	70mA ~ 90mA typical

### 6.3. “12v” Fan/GPO Characteristics

The CFA633 has 4 connectors that may be used to control standard 3-pin fans. These connectors may also be used as open-drain GPO (General-Purpose Outputs) to control devices other than fans. For instance, a 12v relay could be connected in place of the fan, and used to control some external load. Be aware that for most GPO loads, you will want to limit the fan power setting ([17 \(0x11\): Set Fan Power](#)) to 0% (off) or 100% (on). A setting of 1 to 99 will PWM the output, which may not be desirable. Also, be aware that by default, all four fans are on at boot time. This setting can be changed by using [4 \(0x04\): Store Current State as Boot State](#). Please see [Fan Connections](#) for more information.

“12v” Fan/GPO Supply Voltage	Minimum	Nominal	Maximum
Supply voltage for open-drain/GPO control	+2v	+12v	+24v



"12v" Fan/GPO Current Limits	Specification
Draw on fan/GPO supply ("12v") will vary, depending on user equipment connected to FAN1 through FAN4.	<ul style="list-style-type: none"> <li>Maximum continuous current draw must be &lt;1.5 A per fan connector, no more than 4 A total.</li> <li>Maximum pulsed current draw may be up to 5 A per connector. The pulse width must be less than 50 mS. (This pulse specification allows for the fan's start-up current spike.)</li> <li>Assure that the cables and connectors used are suitable for the current drawn in your system.</li> </ul>

Tach and Fan Criteria	Specification
Fan Power Control PWM <sup>1</sup> Frequency	18 Hz nominal
Fan Tachometer Speed Range (assuming two PPR <sup>2</sup> )	600 RPM to 3,000,000 RPM
<sup>1</sup> PWM is Pulse Width Modulation. PWM controls the average power by switching a level between "full on" and "full off". Please assure that your fan can be safely controlled by PWM. <sup>2</sup> PPR is Pulses Per Revolution, also written as p/r.	

#### 6.4. GPIO[0] – GPIO[4] Characteristics

The CFA633 has 5 GPIO (General-Purpose Input/Output) pins available. These pins connect to the processor's CMOS GPIO pins. They may be set to input or output, additionally some pins have special purpose functions. When they are set as GPIO outputs, the average voltage can be controlled by PWM. Please refer to [34 \(0x22\): Set or Set and Configure GPIO Pins](#) and [35 \(0x23\): Read GPIO Pin Levels and Configuration State](#) for more information.

	DC Characteristics	Test Conditions	Symbol	Minimum	Typical	Maximum
Controller and Board	Supply Voltage for Logic	T <sub>OP</sub> = -30°C to +70°C	V <sub>DD</sub> - GND	+4.75v	+5.0v	+5.25v
	Input High Voltage	V <sub>DD</sub> = +5v	V <sub>IH</sub>	V <sub>DD</sub> - 1.0v		V <sub>DD</sub>
	Input Low Voltage		V <sub>IL</sub>	0v (GND)		+0.6v
	Output High Voltage		V <sub>OH</sub>	+0.9V <sub>DD</sub>		
	Output Low Voltage		V <sub>OL</sub>	0v (GND)		+0.1 V <sub>DD</sub>

GPIO[0] through GPIO[4] Current Limits	Specification
Sink	25 mA
Source	10 mA

## 6.5. RS-232 Characteristics

Signals on Header J_RS232				
Specification	Symbol	Minimum	Typical	Maximum
RS232 Input Voltage Range		-15v		+15v
RS232 Input High Voltage	$V_{IH-RS232}$	+2.4v		
RS232 Input Low Voltage	$V_{IL-RS232}$			+0.8v
RS232 Output Voltage Swing		$\pm 5.0v$	$\pm 5.4v$	

ESD (Electro-Static Discharge) Specifications for Tx and Rx pins of connector J\_RS232 only:

- +15 kV Human Body Model
- +15 kV IEC1000-4-2 Air Discharge
- +8 kV IEC1000-4-2 Contact Discharge

The remainder of this circuitry is industry standard CMOS logic and susceptible to ESD damage. Please use industry standard antistatic precautions as you would for any other static sensitive devices such as expansion cards, motherboards, or integrated circuits. Ground your body, work surfaces, and equipment.

## 6.6. LED Backlight Information

The backlights used in the CFA633 are designed for very long life, but their lifetime is finite. To conserve the LED lifetime, you can dim or turn off the backlights during periods of inactivity.

## 7. USB Connection to Host

For Linux and Windows, simply connect the module's USB cable to the host. The host will install/configure the appropriate

### 7.1. USB Connection to Host

The CFA633-TMI-KU uses a low profile 2 mm latching polarized connector for USB connection. CrystalFontz offers two cables that make the connection between the CFA633-TMI-KU and the host. The [WRUSBY03](#) (6-foot) has the mating 2 mm connector on one end and a standard "USB A" on the other end. The [WRUSBY11](#) (27-inch) has the mating 2 mm connector on one end and standard single pin connectors on the opposite end. These single pin connectors are suitable to plug directly onto the USB headers typically found on motherboards. There is also the WRUSBY33, which is very similar to the WRSUBY11, except that it uses the standard pin assignment now found on most motherboards.

If you would like to make your own cable, the connector on the CFA633-TMI-KU is:

- FCI/Berg 95000-004: SMT 2mm connector, 4-position, polarized

The mating housing and crimping contact for the cable are:

- FCI/Berg 90312-004: Housing, 2 mm connector, 4-position, polarized
- FCI/Berg 77138-001: Crimping Contact (4 pieces required)

### 7.2. Standard Power Connection

The easiest way to provide power from a host to CFA633-TMI-KU is through J\_USB, using an appropriate cable (WRUSBY03, WRUSBY11 or WRUSBY33).

**Did you know?** CrystalFontz can supply cables and close the appropriate jumpers so that the module and cables are pre-configured and bundled under a single part number, ready to use. Please contact technical support (+1-888-206-9720 or email [techinfo@crystalfontz.com](mailto:techinfo@crystalfontz.com) for details. A minimum order quantity may apply.

### 7.3. Connecting 5v Power

For a USB module, +5v power is typically supplied through J\_USB. In some applications, you may want to supply +5v separately from the USB power. For instance, if you want the LCD to power on and show the boot screen immediately, and the USB power from your system is not supplied until later in the boot cycle. You may supply 5v through J\_PWR, J8, or J\_RS232. If you supply 5v through J\_PWR, you will need to assure that JP8 is closed or RJP8 is loaded. If you supply 5v through J\_RS232, you must close JP13. Be aware that when 5v is fed in one of these connections, it may also be fed out at the other connections, depending on jumper settings. Please refer to the illustration below.

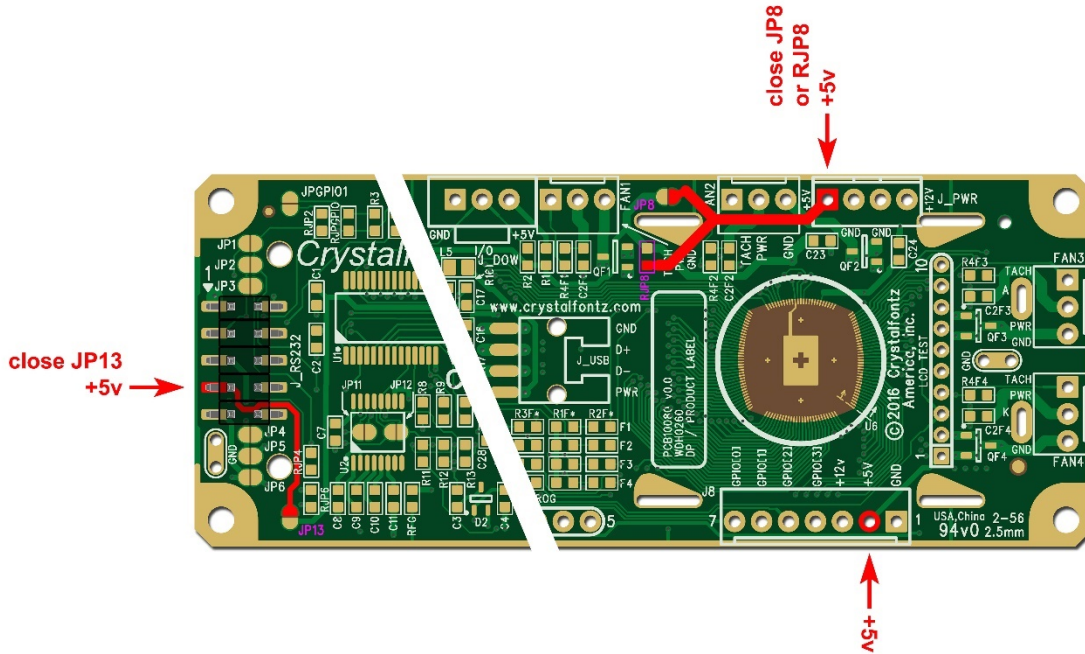


Figure 5. 5v Power Connection

#### 7.4. Connecting 12v Power for Fans

You may supply 12v through J\_PWR, J8, or J\_RS232. Assure the load connected does not exceed the current rating of the cable can connectors. Be aware that if 12v is fed in one of these connections, it will also be fed out at the other connections. Please refer to the illustration below.

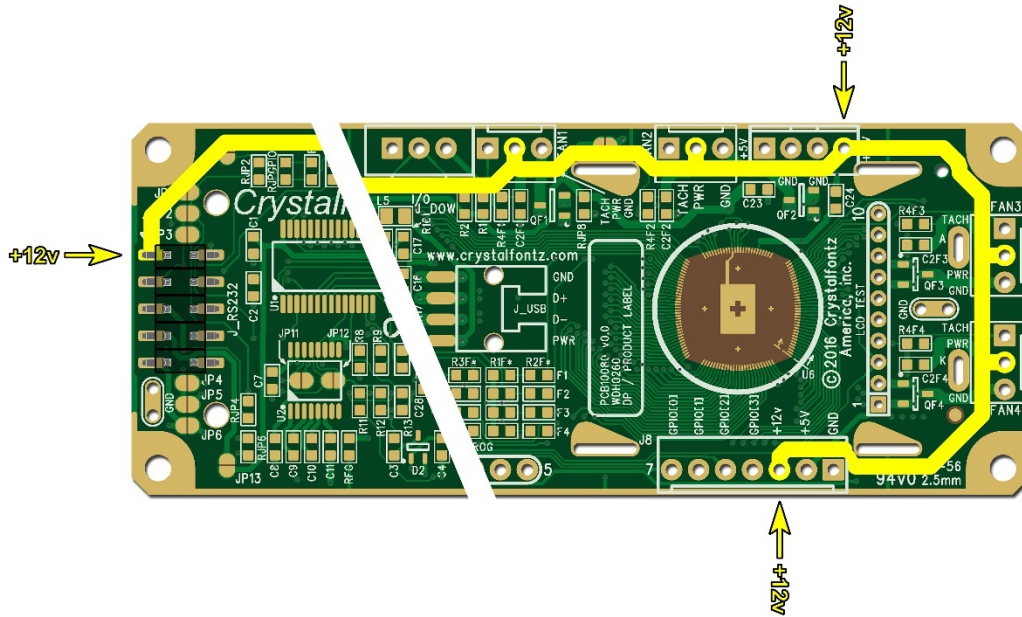


Figure 6. 12v Power Connection Option

### 7.5. Ground Connections

For a USB module, the primary ground is the GND of the USB cable. If you connect fans, you will want to have the ground/return for the fans connected to the ground pins of J\_PWR. You may supply the ground connection through J\_PWR, J8, or J\_RS232. If you supply 5v through J\_RS232, you must close JP6 or load RJP6. Typically, you will want to use the ground connection that is closest to the corresponding power connection. Please refer to the illustration below.

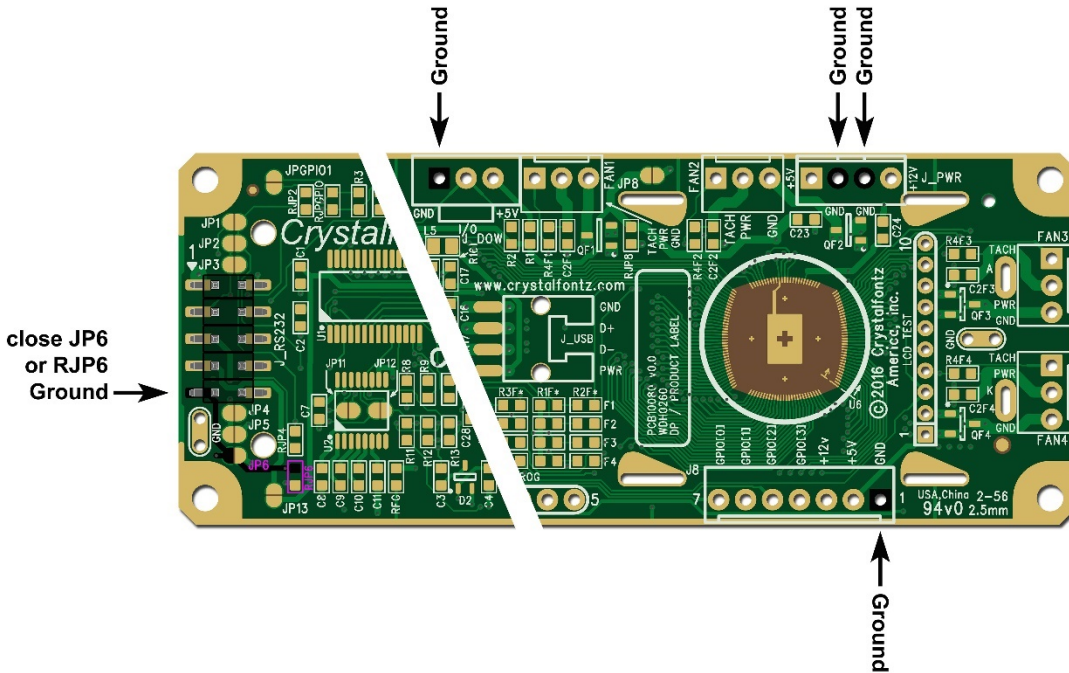


Figure 7. 12v Power Connection Option

## 8. ATX Power Supply and Control Connections

The CFA633-TMI-KU has the ability to control power on/off and reset functions of a standard ATX PC power supply.

The GPIO pins used for ATX control must not be configured as user GPIO, and must be configured to their default drive mode in order for the ATX functions to work correctly. These settings are the default but may be changed by the user. See command [34 \(0x22\): Set or Set and Configure GPIO Pins](#).

To enable ATX functionality, the CFA633-TMI-KU is powered from the PC's V<sub>SB</sub> signal (the “stand-by” or “always-on” +5v ATX power supply output) through the 5v pin of J8. Since the CFA633 is then always powered, it can detect the “on” key press even when the system is “off”.

When the host’s power is off, the CFA633 will blank the LCD and turn off the backlights. Please see command [28 \(0x1C\): Set ATX Power Switch Functionality](#). This is a low power state and from the user’s viewpoint the CFA633 and system will appear to be off. If +12v remains active (which would not be expected, since the host is “off”), the fans will remain on at their previous settings. Please refer to the illustration below.

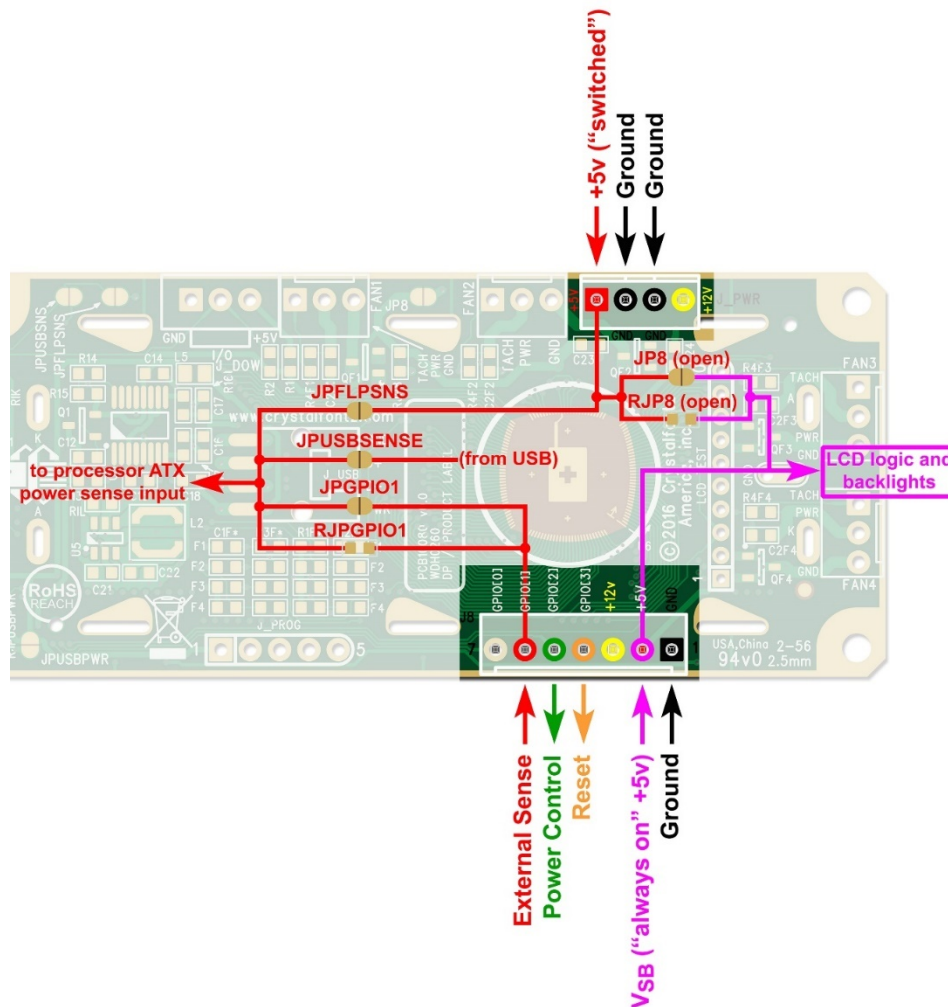


Figure 8. ATX Power Supply and Control Connections

The CFA633 needs to be able to sense if the host's main power supply is on or off so it can act like it is off. Here are the jumper settings needed to make that work:

- Open JPGPIO0 and RJPGIO0. This inserts a series resistor so the module can safely sense the power supply pin.
- Open JP8 and RJP8. This allows the module to be powered from  $V_{SB}$  through the 5v pin of J8 independent of the 5v switched supplied on the 5v pin of J\_PWR.
- For an RS-232 module, close JPFLPSNS and connect the 5v pin of J\_PWR to the PC's main supply as usual.
- For a USB module, close JPUSBSNS and connect the USB cable to a switched power USB port as usual.

The motherboard's power switch input is connected to Pin 5 of the CFA633-TMI-KU's connector J8 (labeled as GPIO[2]). This pin functions as POWER CONTROL. The POWER CONTROL pin is configured as a high-impedance input until the LCD module wants to turn the host on or off, then it will change momentarily to low impedance output, driving either low or high depending on the setting of POWER\_INVERT. Please see command [28 \(0x1C\): Set ATX Power Switch Functionality](#).

The motherboard's reset switch input is connected to Pin 4 of the CFA633-TMI-KU connector J8 (labeled as GPIO[3]). This pin functions as RESET. The RESET pin is configured as a high-impedance input until the LCD module wants to reset the host. Then it will change momentarily to low impedance output, driving either low or high depending on the setting of RESET\_INVERT. See command [28 \(0x1C\): Set ATX Power Switch Functionality](#). This connection is also used for the hardware watchdog.



The Crystalfontz [WR-PWR-Y14](#) cable simplifies ATX power control connections. Below is an illustration of how the optional Crystalfontz [WR-PWR-Y14](#) cable connects to the CFA633 connector J8 and your ATX power supply:

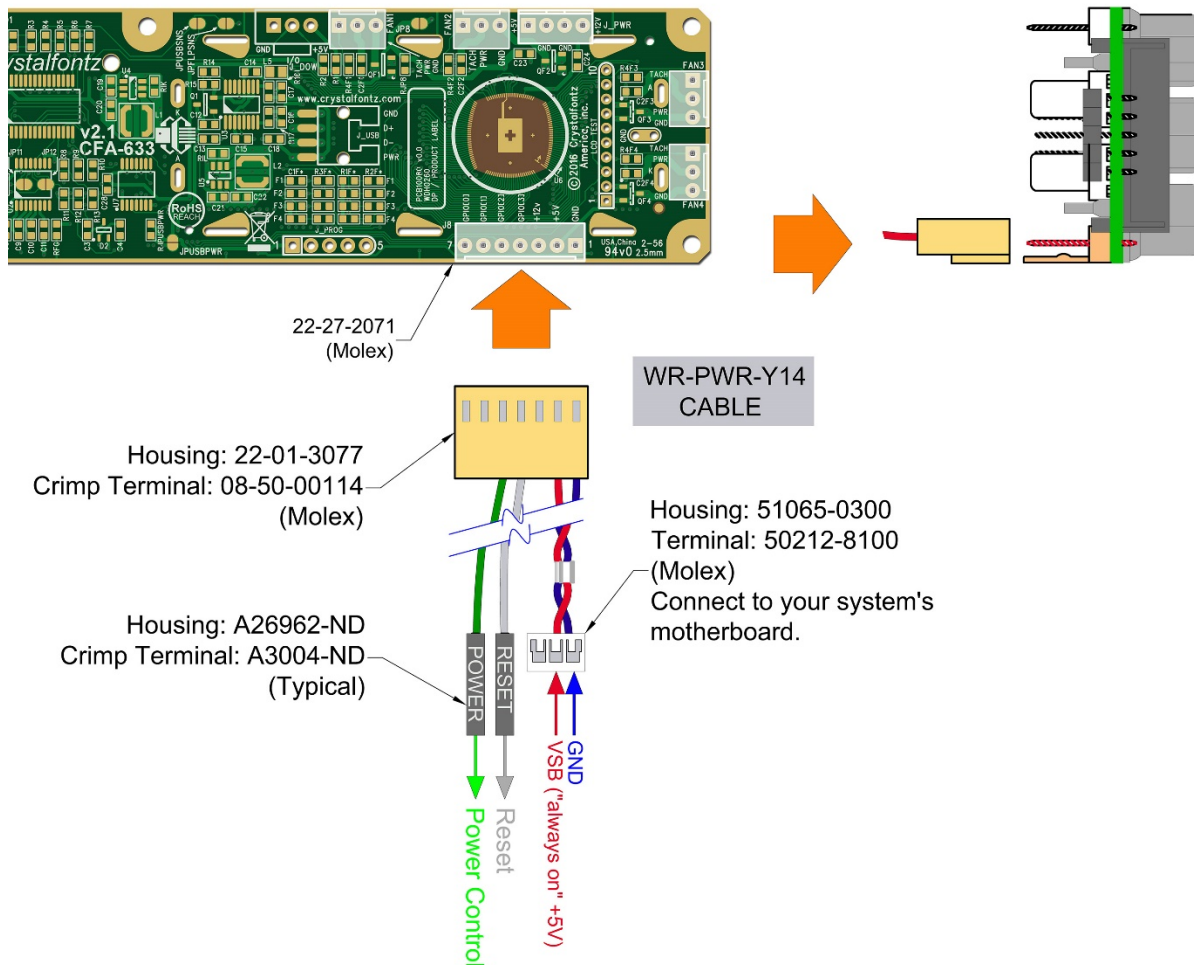


Figure 9. ATX Power Supply and Control Using Crystalfontz WR-PWR-Y14 Cable

Once the hardware is configured, use command [28 \(0x1C\): Set ATX Power Switch Functionality](#), to enable any of the following functions:

- **System Power On.** If POWER-ON SENSE is low (0v), pressing the green check key for 0.25 seconds will turn the unit on by driving POWER CONTROL line for the pulse width set by command 28: Set ATX Power Switch Functionality (1.0 seconds default).
- **System Hard Power Off.** If POWER-ON SENSE is high (+5v) pressing the red X key for 4 seconds will turn the system off by driving the POWER CONTROL line. The line will be driven for a minimum of the pulse width set by command 28 (0x1C): Set ATX Power Switch Functionality (1.0 seconds default). If the user continues to press the key, the [CFA633-TMI-KU](#) will continue to drive the line for up to an additional 5 seconds.
- **System Hard Reset.** If POWER-ON SENSE is high (+5v) pressing the green check key for 4 seconds will reset the system off by driving the RESET line for 1 second. The CFA633-TMI-KU will reboot itself immediately after resetting the host.

## 9. Fan Connections

The CFA633-TMI-KU supports up to 4 standard “3-pin” cooling fans. The fan connectors are compatible with industry standard “3-pin” fans.

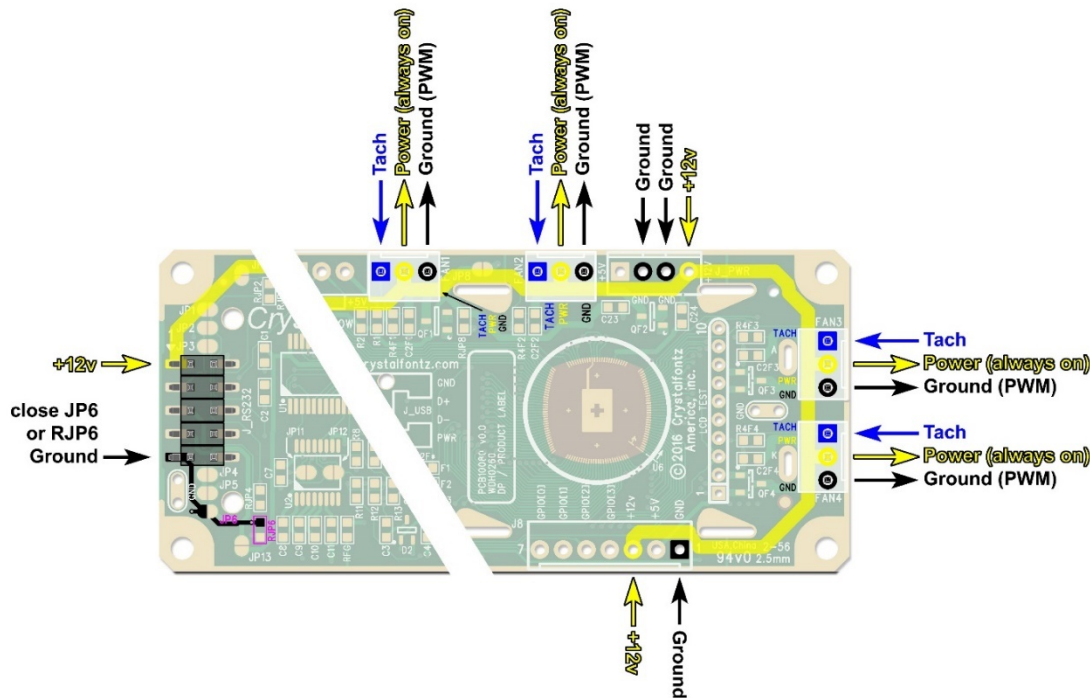


Figure 10. Four Fan Connectors

The average power delivered to each fan may be set to any level between 0% and 100% through command [17 \(0x11\): Set Fan Power](#). The power setting controls the PWM duty cycle of a high-performance open-drain FET connected between the system ground and the GND pin of each fan connector. The PWM frequency is nominally 18 Hz.

The CFA633-TMI-KU can measure the frequency of the fan's tachometer signal, and given the pulses-per-revolution, calculate the RPM and display it on the LCD or report the information needed to calculate the RPM to the host. If a fan's power is set to 100%, then the average frequency of each fan's tachometer signal is measured over a 1/8 second (125 ms) period of time. Each fan is measured in sequence, so updated fan speed information is available every 1/2 second (500 ms) for each fan.

The power to a fan must be on in order for the fan's tachometer signal to be valid. If a fan is configured to report its speed to the host, the power of the fan will be unconditionally set to 100% at the start of the 1/8 second period of time when the CFA633-TMI-KU is measuring the frequency of the tachometer signal, overriding the PWM. The CFA633-TMI-KU will leave the power to the fan on until the glitch delay. Please see command [26 \(0x1A\): Set Fan Tachometer Glitch Filter](#) has expired and two tachometer edges have been detected. The normal PWM cycle will then resume.

This technique allows the fan speed to be measured with a very minimal effect on the speed of the fan. If the fan power is set to 100% or if the speed of the fan and length of the PWM on time are such that the speed can be measured without stretching the PWM, then this override will not change the speed of the fan at all. If the fan power is set to some level other than 100% and the PWM on time is short compared to the tachometer signal frequency, then the fan speed will pulse slightly every 1/2 second due to the stretching of the PWM on time. During tachometer measuring, the maximum width of a stretched-on pulse is 1/8 second. For some fans, the result is not very noticeable, and this technique will allow you to monitor the average speed of the fan while controlling the average power of the fan. For other fans (particularly high torque, high RPM models), the pulsing effect may be undesirable.

Since the on-time is dynamically stretched by the CFA633-TMI-KU to force the fan to produce two tachometer edges, the result is that the fan will resist stalling as power is reduced towards 0% and the RPM is being measured.

Below is a graph of fan RPM vs. the fan power setting for a typical high-performance 80 mm fan (for example, [Delta FFB0812SHE](#)):

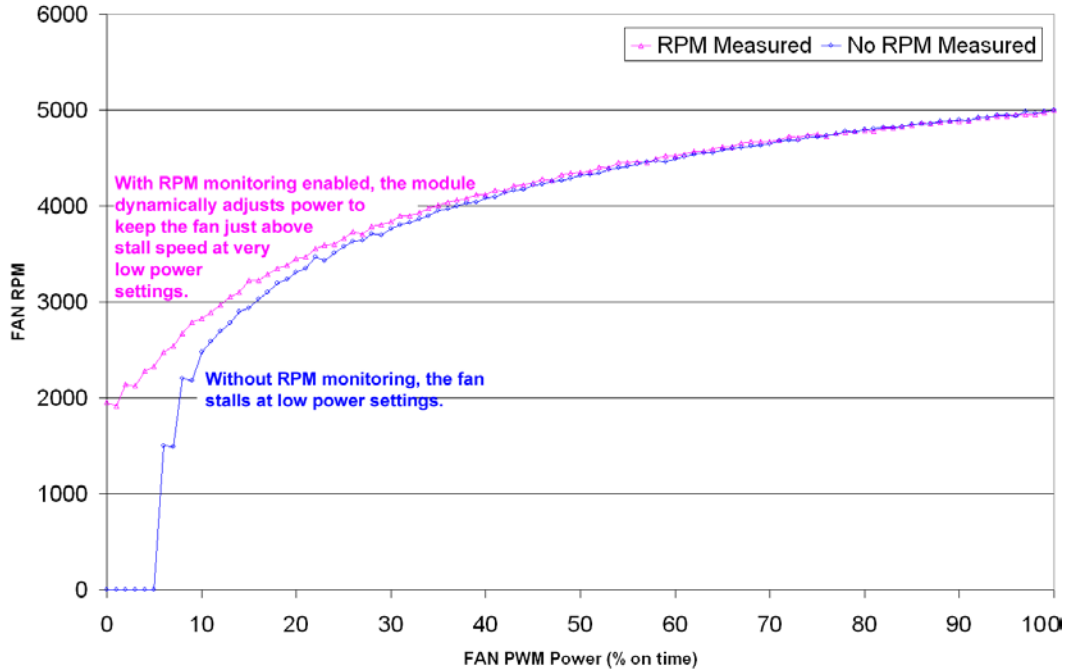


Figure 11. Graph showing fan PWM power (% on time) for various fan RPM

Typically, if the fan speed is not at 100% then it is being controlled by the host software to drive a temperature sensor to a given reading in a closed-loop arrangement. In this case, the temperature, rather than the fan speed would be monitored for out-of-range conditions. If the temperature is within specification, you really do not care how fast the fan is turning. In an unattended system, it may be a good idea to set each fan to 100% for a few seconds during a test cycle – perhaps once a day or once a week – and log the steady-state RPM attained by the fan. If that steady state RPM were higher (this can be caused by a blocked airflow) or lower than expected (perhaps the fan's bearings are failing), a maintenance warning could be generated by the host software.

**For safety purposes** enable the fan power fail-safe, see command [25 \(0x19\): Set Fan Power Fail-Safe](#), that is being used in closed-loop control through host software, the CFA633-TMI-KU will turn that fan to 100% if the host fails to update the power of the fans within a given time interval. For instance, if the communications cable is dislodged, or the host operating system hangs, or the cooling control process is terminated, the CFA633-TMI-KU will automatically force those fans to 100%, preventing potential equipment damage due to lack of cooling.

**IMPORTANT:** We tested the CFA633-TMI-KU with a large range of fans and had good results. However, **you are responsible for determining if the control and monitoring methods employed by the LCD module are acceptable for your application.** In particular, if a fan's power is set too low, it may stall or fail to start, providing no cooling. Using a PWM to control fan speed is generally accepted; however, **we make no claims that it is compatible with any particular fan or that it does not affect the lifetime of the fans.** Some higher torque fans (especially the ball-bearing models), may click, buzz, or growl at low power settings due to the torque in the fan going from positive to negative in each PWM cycle. If you limit the power setting to 0% or 100% there should be no compatibility issues.

**We do not recommend operating a fan below 20% PWM duty cycle for an extended period of time.** Limiting the minimum PWM duty cycle to 30% or 40% should reduce the mechanical and electrical stresses in the fan, avoiding premature failure.

When power is applied to the CFA633-TMI-KU, it will set each fan's power to the default value of 100% or to the value that is stored in the boot state. To minimize peak current loading on the +12v supply during start-up, the fans are started in sequence with a 0.5 second delay between any fans that are on.

### 9.1. Connect Optional Crystalfontz WR-DOW-Y17 Temperature Sensors

The Crystalfontz [WR-DOW-Y17](#) cable has a [DS18B20](#) Dallas Programmable Resolution One-Wire (DOW) temperature sensor attached to a “daisy chainable” cable. (“Daisy chain” means several devices connected in a linear series.) Connect one WR-DOW-Y17 to the connector labeled J\_DOW.

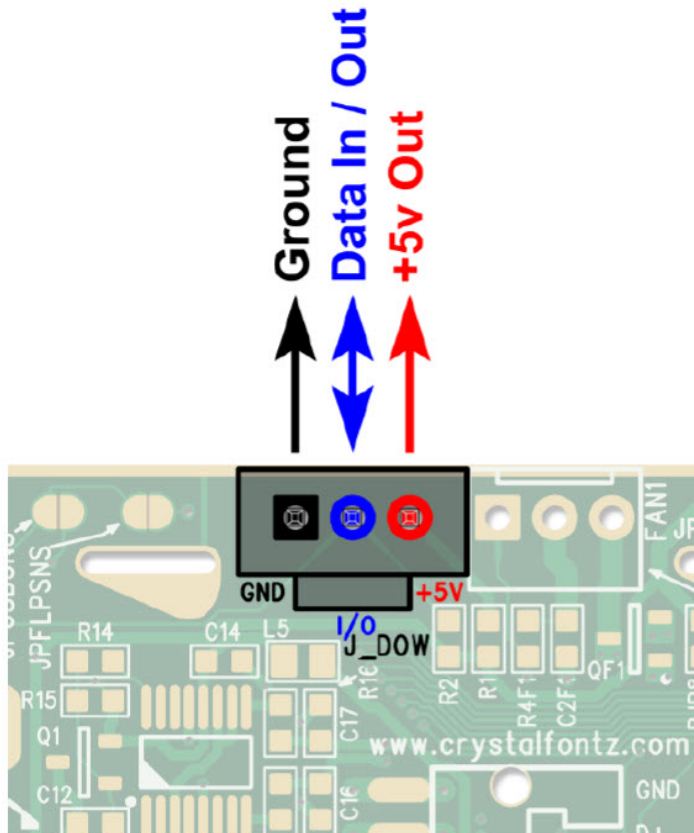


Figure 12. J\_DOW Connection for WR-DOW-Y17 Temperature Sensor

If desired, connect the WR-DOW-Y17's 3-pin male connector to an additional WR-DOW-Y17 temperature sensor. Up to 32 WR-DOW-Y17 temperature sensors can be connected. (“Daisy chained”.)

The DS18B20 on the WR-DOW-Y17 has 0.5°C absolute accuracy. Or you make a temperature sensor cable using a [DS1822](#) Dallas Econo One-Wire Digital Thermometer with  $\pm 2^\circ\text{C}$  accuracy.

Any temperature sensor can be configured to be automatically read and display to the CFA633-TMI-KU's LCD in °C or °F, see command [21 \(0x15\): Set Up Live Fan or Temperature Display](#). Independently, any temperature sensor can be configured to report to the host, see [19 \(0x13\): Set Up Temperature Reporting](#). Any sensors configured to be reported are updated once each second.

## 10. Host Communications

The CFA633 communicates with its host using an RS-232 interface. The port settings are 19200 baud, 8 data bits, no parity, 1 stop bit by factory default. The speed can be set to 115200 baud under software control, see command [33 \(0x21\): Set Baud Rate](#).

### 10.1. Packet Structure

All communication between the CFA633 and the host takes place in the form of a simple and robust CRC checked packet. The packet format allows for very reliable communications between the CFA633 and the host without the traditional problems that occur in a stream-based serial communication (such as having to send data in inefficient ASCII format, to “escape” certain “control characters”, or losing sync if a character is corrupted, missing, or inserted).

Reconciling packets is recommended rather than using delays when communicating with the module. To reconcile your packets, please ensure that you have received the acknowledgement packet from the packet most recently sent before sending any additional packets to the LCD module. This practice will guarantee that you will not have any dropped packets or missed communication with the LCD module.

All packets have the following structure:

```
<type><data_length><data><CRC>
```

`type` is one byte, and identifies the type and function of the packet:

```
TTcc cccc
|||| |---Command, response, error or report code 0-63
||-----Type:
    00 = normal command from host to CFA633
    01 = normal response from CFA633 to host
    10 = normal report from CFA633 to host (not in
        direct response to a command from the host)
    11 = error response from CFA633 to host (a packet
        with valid structure but illegal content
        was received by the CFA633)
```

`data_length` specifies the number of bytes that will follow in the data field. The valid range of `data_length` is 0 to 18.

`data` is the payload of the packet. Each type of packet will have a specified `data_length` and format for `data` as well as algorithms for decoding data detailed below.

CRC is a standard 16-bit CRC of all the bytes in the packet except the CRC itself. The CRC is sent LSB first. At the port, the CRC immediately follows the last used element of data [ ]. See [Appendix A: Demonstration Software and Sample Code](#) for details.

The following C definition may be useful for understanding the packet structure.

```
typedef struct
{
    unsigned char command;
    unsigned char data_length;
    unsigned char
        data[MAX_DATA_LENGTH];
    unsigned short CRC;
}COMMAND_PACKET;
```

On our website, Crystalfontz supplies a demonstration and test program, [cfTest](#), along with its C source code. Included in the cfTest source is a CRC algorithm and an algorithm that detects packets. The algorithm will automatically re-synchronize to the next valid packet in the event of any communications errors. Please follow the algorithm in the sample code closely in order to realize the benefits of using the packet communications.

## 10.2. About Handshaking

The nature of CFA633's packets makes it unnecessary to implement traditional hardware or software handshaking.

The host should wait for a corresponding acknowledge packet from the CFA633 before sending the next command packet. The CFA633 will respond to all packets within 250 mS. The host software should stop waiting and retry the packet if the CFA633 fails to respond within 250 mS. The host software should report an error if a packet is not acknowledged after several retries. This situation indicates a hardware problem – for example, a disconnected cable.

Please note that some operating systems may introduce delays between when the data arrives at the physical port from the CFA633 until it is available to the user program. In this case, the host program may have to increase its timeout window to account for the additional overhead of the operating system.

The CFA633 can be configured to send several types of report packets along with regular acknowledge packets. The host should be able to buffer several incoming packets and must guarantee that it can process and remove packets from its input buffer faster than the packets can arrive given the baud rate and the reporting configuration of the CFA633. For any modern PC using reasonably efficient software, this requirement will not pose a challenge.

The report packets are sent asynchronously with respect to the command packets received from the host. The host should not assume that the first packet received after it sends a command is the acknowledge packet for that command. The host should inspect the `type` field of incoming packets and process them accordingly.

## 10.3. Report Codes

The CFA633 can be configured to report three items. The CFA633 sends reports automatically when the data becomes available. Reports are not sent in response to a particular packet received from the host. The three report types are (1) 0x80: Key Activity, (2) 0x81: Fan Speed Report, and (3) 0x82: Temperature Sensor Report. Details are below.

### 0x80: Key Activity

If a key is pressed or released, the CFA633 sends a Key Activity report packet to the host. Key event reporting may be individually enabled or disabled by command [23 \(0x17\): Configure Key Reporting](#).

```
type = 0x80
data_length = 1
data[0] is the type of keyboard activity:
KEY_UP_PRESS           1
KEY_DOWN_PRESS        2
KEY_LEFT_PRESS        3
KEY_RIGHT_PRESS       4
KEY_ENTER_PRESS       5
KEY_EXIT_PRESS        6
KEY_UP_RELEASE        7
KEY_DOWN_RELEASE      8
KEY_LEFT_RELEASE      9
KEY_RIGHT_RELEASE     10
KEY_ENTER_RELEASE     11
KEY_EXIT_RELEASE      12
```

### 0x81: Fan Speed Report

If any of up to four fans connected to CFA633 is configured to report its speed information to the host, the CFA633 will send Fan Speed Reports for each selected fan every 1/2 second, see command [16 \(0x10\): Set Up Fan Reporting](#).

```
type = 0x81
data_length = 4
data[0] is the index of the fan being reported:
    0 = FAN 1
    1 = FAN 2
    2 = FAN 3
    3 = FAN 4
data[1] is number_of_fan_tach_cycles
data[2] is the MSB of Fan_Timer_Ticks
data[3] is the LSB of Fan_Timer_Ticks
```

The following C function will decode the fan speed from a Fan Speed Report packet into RPM:

```
int OnReceivedFanReport(COMMAND_PACKET *packet, char * output)
{
    int
    return_value;
    return_value=0;

    int
    number_of_fan_tach_cycles;
    number_of_fan_tach_cycles=packet->data[1];

    if(number_of_fan_tach_cycles<3)
        sprintf(output," STOP");
    else if(number_of_fan_tach_cycles<4)
        sprintf(output," SLOW");
    else if(0xFF==number_of_fan_tach_cycles)
        sprintf(output," ----");
    else
    {
        //Specific to each fan, most commonly 2
        int
        pulses_per_revolution;
        pulses_per_revolution=2;

        int
        Fan_Timer_Ticks;
        Fan_Timer_Ticks=(*(unsigned short *)&(packet->data[2]));

        return_value=((27692308L/pulses_per_revolution)*
            (unsigned long)(number_of_fan_tach_cycles-3))/
            (Fan_Timer_Ticks);
        sprintf(output,"%5d",return_value);
    }
    return(return_value);
}
```

### 0x82: Temperature Sensor Report

If any of the up to 32 temperature sensors is configured to report to the host, the CFA633 will send Temperature Sensor Reports for each selected sensor every second, see the command [19 \(0x13\): Set Up Temperature Reporting](#).

```

type = 0x82
data_length = 4
data[0] is the index of the temperature sensor being reported:
    0 = temperature sensor 1
    1 = temperature sensor 2
    . . .
    31 = temperature sensor 32

data[1] is the MSB of Temperature_Sensor_Counts
data[2] is the LSB of Temperature_Sensor_Counts
data[3] is DOW_crc_status

```

The following C function will decode the Temperature Sensor Report packet into °C and °F:

```

void OnReceivedTempReport(COMMAND_PACKET *packet, char *output)
{
    //First check the DOW CRC return code
    from the CFA633 if(packet->data[3]==0)
        strcpy(output, "B
AD CRC"); else
    {
        double
        degc;
        degc=(*(short *)&(packet->data[1]))/16.0;

        double
        degf;
        degf=(degc*9.0)/5.0
        +32.0;

        sprintf(output, "%9.4f°C
                    =%9.4f°F", degc,
                    degf);
    }
}

```

## 10.4. Command Codes

Below is a list of valid commands for the CFA633. Each command packet is answered by either a response packet or an error packet. The low 6 bits of the type field of the response or error packet is the same as the low 6 bits of the type field of the command packet being acknowledged.

### 0 (0x00): Ping Command

The CFA633 will return the Ping Command to the host.

```

type: 0x00 = 010
valid data_length is 0 to 16
data[0-(data_length-1)] can be filled with any arbitrary data

```

The return packet is identical to the packet sent, except the type will be 0x40 (normal response, Ping Command):

```

type: 0x40 | 0x00 = 0x40 = 6410
data_length = (identical to received packet)
data[0-(data_length-1)] = (identical to received packet)

```



### 1 (0x01): Get Hardware & Firmware Version

The CFA633 will return the hardware and firmware version information to the host.

```
type: 0x01 = 110  
valid data_length is 0
```

The return packet will be:

```
type: 0x40 | 0x01 = 0x41 = 6510  
data_length = 16  
data[] = "CFA633:h2.1, u2.2"  
  
h2.1 is the hardware revision  
u2.2 is the firmware version
```

### 2 (0x02): Write User Flash Area

The CFA633 reserves 16 bytes of nonvolatile memory for arbitrary use by the host. This memory can be used to store a serial number, IP address, gateway address, netmask, or any other data required. All 16 bytes must be supplied.

```
type: 0x02 = 210  
valid data_length is 16  
data[] = 16 bytes of arbitrary user data to be stored in  
the CFA633's non-volatile memory
```

The return packet will be:

```
type: 0x40 | 0x02 = 0x42 = 6610  
data_length = 0
```

### 3 (0x03): Read User Flash Area

This command will read the User Flash Area and return the data to the host.

```
type: 0x03 = 310  
valid data_length is 0
```

The return packet will be:

```
type: 0x40 | 0x03 = 0x43 = 6710  
data_length = 16  
data[] = 16 bytes user data recalled from  
the CFA633's non-volatile memory
```

### 4 (0x04): Store Current State as Boot State

The CFA633 loads its power-up configuration from nonvolatile memory when power is applied. The CFA633 is configured at the factory to display a “welcome” screen when power is applied. This command can be used to customize the “welcome” screen, as well as the following items:

- Characters shown on LCD, which are affected by:
  - Command 6 (0x06): Clear LCD Screen.
  - Command 7 (0x07): Set LCD Contents, Line 1.
  - Command 8 (0x08): Set LCD Contents, Line 2.
  - Command 31 (0x1F): Send Data to LCD.
- Special character font definitions (Command 9 (0x09): Set LCD Special Character Data).
- Cursor position (Command 11 (0x0B): Set LCD Cursor Position).
- Cursor style (Command 12 (0x0C): Set LCD Cursor Style).
- Contrast setting (Command 13 (0x0D): Set LCD Contrast).
- Backlight setting (Command 14 (0x0E): Set LCD & Keypad Backlight).
- Fan power settings (Command 17 (0x11): Set Fan Power).
- Settings of any “live” displays (Command 21 (0x15): Set Up Live Fan or Temperature Display).
- Key press and release masks (Command 23 (0x17): Configure Key Reporting).

- Fan glitch delay settings (Command 26 (0x1A): Set Fan Tachometer Glitch Filter).
- ATX function enable and pulse length settings (command 28 (0x1C): Set ATX Power Switch).
- Baud rate (Command 33 (0x21): Set Baud Rate).
- GPIO settings (Command 34 (0x22): Set or Set and Configure GPIO Pins).

You cannot store the fan or temperature reporting (although the live display of fans or temperatures can be saved). You cannot store the fan fail-safe or host watchdog. The host software should enable these items once the system is initialized and it is ready to receive the data.

```
type: 0x04 = 410  
valid data_length is 0
```

The return packet will be:

```
type: 0x40 | 0x04 = 0x44 = 6810  
data_length = 0
```

If the current state and the boot state do not match after saving, the module will return an error instead of an ACK. In this unlikely error case, the boot state will be undefined.

### **5 (0x05): Reboot CFA633, Reset Host, or Power Off Host**

This command instructs the CFA633 to simulate a power-on restart of itself, reset the host, or turn the host's power off. The ability to reset the host may be useful to allow certain host operating system configuration changes to complete. The ability to turn the host's power off under software control may be useful in systems that do not have ACPI compatible BIOS.

The GPIO pins used for ATX control must not be configured as user GPIO, and must be configured to their default drive mode in order for the ATX functions to work correctly. These settings are factory default, but may be changed by the user, see command [34 \(0x22\): Set or Set and Configure GPIO Pins](#).

Rebooting the CFA633 may be useful when testing the boot configuration. It may also be useful to re-enumerate the devices ([WR-DOW-Y17](#) temperature sensors), on the One-Wire bus. To reboot the CFA633, send the following packet:

```
type: 0x05 = 510  
valid data_length is 3  
data[0] = 8  
data[1] = 18  
data[2] = 99
```

The reboot command may take up to 3 seconds to return its acknowledge packet.

At boot-up, there is up to a 500ms (1/2 second) delay between turning on fans. By default, all four fans are set to “on” at 100%. If you are not using a fan, set power to 0% (command [17 \(0x11\): Set Fan Power](#)), and saving this setting as the default boot state (command [4 \(0x04\): Store Current State as Boot State](#)). This will reduce the boot time.

If only one fan is on, there is no additional delay. If two fans are on, there is up to an additional 500ms delay. If three fans are on, there is up to an additional 1,000ms delay. If all four fans are on, there is up to an additional 1,500ms delay.

# of Fans Powered On	Expected Boot Time
0 to 1	300ms - 500ms
2	800ms - 1,000ms
3	1.3s - 1.5s
4	1.8s - 2.0s

To reset the host, assuming the host's reset line is connected to GPIO[3] as described in command [28 \(0x1C\): Set ATX Power Switch Functionality](#), send the following packet:

```
type: 0x05 = 510
valid data_length is 3
data[0] = 12
data[1] = 28
data[2] = 97
```

The CFA633 will return the acknowledge packet immediately; then reset the host. After resetting the host (~1.5 seconds), the module will reboot itself. The module will not respond to new command packets for up to 3 seconds (~4.5 seconds overall) after its reboot. Part of this delay is the intentional staggered sequencing of turning on power to the fans. If you are not using fans, you can speed the boot process by setting the fan power to 0 (command [17 \(0x11\): Set Fan Power](#)), and saving this as the default boot state (command [4 \(0x04\): Store Current State as Boot State](#)). Normally, the host will be recovering from its own reset, so the boot delay of the module will not be of consequence.

To turn the host's power off, assuming the host's power control line is connected to GPIO[2] as described in command [28 \(0x1C\): Set ATX Power Switch Functionality](#), send the following packet:

```
type: 0x05 = 510
valid data_length is 3
data[0] = 3
data[1] = 11
data[2] = 95
```

The CFA633 will return the acknowledge packet immediately, then power cycle the host. The power cycle length is dependent on the length of the power pulse (command [28 \(0x1C\): Set ATX Power Switch Functionality](#)). After power cycling the host, the module will reboot itself. The module will not respond to new command packets for up to 3 seconds after its reboot. Part of this delay is the intentional staggered sequencing of turning on power to the fans. If you are not using fans, you can speed the boot process by setting the fan power to 0 (command [17 \(0x11\): Set Fan Power](#)), and saving this as the default boot state (command [4 \(0x04\): Store Current State as Boot State](#)). Normally the host will be off or recovering from its own power cycle, so the boot delay of the module will not be of consequence.

In any of the above cases, the return packet will be:

```
type: 0x40 | 0x05 = 0x45 = 6910  
data_length = 0
```

#### **6 (0x06): Clear LCD Screen**

Sets the contents of the LCD screen DDRAM to ' ' = 0x20 = 32 and moves the cursor to the left-most column of the top line.

```
type: 0x06 = 610  
valid data_length is 0
```

The return packet will be:

```
type: 0x40 | 0x06 = 0x46 = 7010  
data_length = 0
```

Clear LCD Screen changes the LCD. The LCD contents is one of the items stored by the command [4 \(0x04\): Store Current State as Boot State](#).

#### **7 (0x07): Set LCD Contents, Line 1**

Sets the center 16 characters displayed for the top line of LCD screen.

Please use this command only if you need backwards compatibility with older CFA633 units. For new applications, please use the more flexible command [31 \(0x1F\): Send Data to LCD](#).

```
type: 0x7 = 710  
valid data_length is 16  
data[] = top line's display content (must supply 16 bytes)
```

The return packet will be:

```
type: 0x40 | 0x07 = 0x47 = 7110  
data_length = 0
```

Set LCD Contents, Line 1 is one of the items stored by the command [4 \(0x04\): Store Current State as Boot State](#).

### 8 (0x08): Set LCD Contents, Line 2

Sets the center 16 characters displayed for the bottom line of LCD screen.

Please use this command only if you need backwards compatibility with older CFA633 units.  
For new applications, please use the more flexible command [31 \(0x1F\): Send Data to LCD](#).

```
type: 0x8 = 810
valid data_length is 16
data[] = bottom line's display content (must supply 16 bytes)
```

The return packet will be:

```
type: 0x40 | 0x08 = 0x48 = 7210
data_length = 0
```

Set LCD Contents, Line 2 is one of the items stored by the command [4 \(0x04\): Store Current State as Boot State](#).

### 9 (0x09): Set LCD Special Character Data

Sets the font definition for one of the special characters (CGRAM).

```
type: 0x09 = 910
valid data_length is 9
data[0] = index of special character that you would like to modify, 0-7 are valid
data[1-8] = bitmap of the new font for this character
```

data[1-8] are the bitmap information for this character. Any value is valid between 0 and 63, the msb is at the left of the character cell of the row, and the lsb is at the right of the character cell.

data[1] is at the top of the cell.  
data[8] is at the bottom of the cell.

The return packet will be:

```
type: 0x40 | 0x09 = 0x49 = 7310
data_length = 0
```

Set LCD Special Character Data is one of the items stored by the command [4 \(0x04\): Store Current State as Boot State](#).

### 10 (0x0A): Read 8 Bytes of LCD Memory

This command will return the contents of the LCD's DDRAM or CGRAM. This command is intended for debugging.

**NOTE:** Firmware version prior to v1.9 did not return the address code.

```
type: 0x0A = 1010
valid data_length is 1
data[0] = address code of desired data
data[0] is the address code native to the LCD controller:

0x40 (\064) to 0x7F (\127) for CGRAM
0x80 (\128) to 0x93 (\143) for DDRAM, line 1
0xC0 (\192) to 0xD3 (\207) for DDRAM, line
```

The return packet will be:

```
type: 0x40 | 0x0A = 0x4A = 7410  
data_length = 9
```

data[0] of the return packet will be the address code.

data[1-8] of the return packet will be the data read from the LCD controller's memory.

### 11 (0x0B): Set LCD Cursor Position

This command allows the cursor to be placed at the desired location on the CFA633's LCD screen. If you want the cursor to be visible, you may also need to send a command [12 \(0x0C\): Set LCD Cursor Style](#).

```
type: 0x0B = 1110 valid  
data_length is 2  
data[0] = column (0-15 valid)  
data[1] = row (0-1 valid)
```

The return packet will be:

```
type: 0x40 | 0x0B = 0x4B = 7510  
data_length = 0
```

Set LCD Cursor Position is one of the items stored by the command [4 \(0x04\): Store Current State as Boot State](#).

### 12 (0x0C): Set LCD Cursor Style

This command allows you to select among four hardware generated cursor options.

```
type: 0x0C = 1210 valid  
data_length is 1  
data[0] = cursor style (0-3 valid)  
0 = no cursor  
1 = blinking block cursor  
2 = static underscore cursor  
3 = blinking underscore cursor  
(Note for 3: This behavior is different from the previous CFA633 HW  
v1.x family which had a blinking block with a static underscore  
cursor.)
```

The return packet will be:

```
type: 0x40 | 0x0C = 0x4C = 7610  
data_length = 0
```

Set LCD Cursor Style is one of the items stored by the command [4 \(0x04\): Store Current State as Boot State](#).

### 13 (0x0D): Set LCD Contrast

This command sets the contrast or vertical viewing angle of the display. Initiated by the host, responded to by the CFA633.

```
type: 0x0D = 1310 valid  
data_length is 1  
data[0] = contrast setting (0-50 valid)  
0 = light  
16 = about right  
29 = dark  
30-50 = very dark
```



```
type = 0x11 = 1710  
valid data_length is 4
```

```
data[0] = power level for FAN 1 (0-100 valid)  
data[1] = power level for FAN 2 (0-100 valid)  
data[2] = power level for FAN 3 (0-100 valid)  
data[3] = power level for FAN 4 (0-100 valid)
```

The return packet will be:

```
type = 0x40 | 0x11 = 0x51 = 8110  
data_length = 0
```

Set Fan Power is one of the items stored by the command [4 \(0x04\): Store Current State as Boot State](#).

### 18 (0x12): Read DOW Device Information

When power is applied to the CFA633, it detects any devices ([WR-DOW-Y17](#) temperature sensors) connected to the Dallas Semiconductor One-Wire (DOW) bus and stores the device's information. This command will allow the host to read the device's information.

The first byte returned is the Family Code of the Dallas One-Wire / iButton device. For a list of the possible Dallas One-Wire / iButton device family codes available go to [App Note 155: 1-Wire Software Resource Guide](#) on the Maxim/Dallas website.

#### REGARDING COMMAND 18: READ DOW DEVICE INFORMATION

The GPIO pin used for DOW must not be configured as user GPIO. It must be configured to its default drive mode in order for the DOW functions to work correctly.

These settings are factory default but may be changed by the user, see command [34 \(0x22\): Set or Set and Configure GPIO Pins](#).

In order for the DOW subsystem to be enabled and operate correctly, user GPIO[4] must be configured as:

```
DDD = "111: 1=Hi-Z, 0=Slow, Strong Drive Down".  
F = "0: Port unused for user GPIO."
```

This state is the factory default, but it can be changed and saved by the user. To ensure that GPIO[4] is set correctly and the DOW operation is enabled, send the following command:

```
command = 34  
length = 3  
data[0] = 4  
data[1] = 100  
data[2] = 7
```

This setting must be saved as the boot state, so when the CFA633 reboots it will detect the DOW devices.

```
type: 0x12 = 1810 valid  
data_length is 1  
data[0] = device index (0-31 valid)
```



The return packet will be:

```
type: 0x40 | 0x12 = 0x52 = 8210
data_length = 9

data[0] = device index (0-31 valid)
data[1-8] = ROM ID of the device
```

If `data[1]` is 0x22 ([DS1822](#) Econo 1-Wire Digital Thermometer temperature sensor) or 0x28 ([DS18B20](#) High Precision 1-Wire Digital Thermometer temperature sensor used on our [WR-DOW-Y17](#)), then that device can be set up to automatically convert and report the temperature every second. See the command [19 \(0x13\): Set Up Temperature Reporting](#).

### 19 (0x13): Set Up Temperature Reporting

This command will configure the CFA633 to report the temperature information to the host every second.

```
type: 0x13 = 1910 valid
data_length is 4
data[0-3] = 32-bit bitmask indicating which temperature
            sensors fans are enabled to report (0-255 valid in each location)
```

```
data[0]
08 07 06 05 04 03 02 01 Enable Reporting of sensor with
| | | | | | | | device index of:
| | | | | | | | 0: 1 = enable, 0 = disable
| | | | | | | | 1: 1 = enable, 0 = disable
| | | | | | | | 2: 1 = enable, 0 = disable
| | | | | | | | 3: 1 = enable, 0 = disable
| | | | | | | | 4: 1 = enable, 0 = disable
| | | | | | | | 5: 1 = enable, 0 = disable
| | | | | | | | 6: 1 = enable, 0 = disable
| | | | | | | | 7: 1 = enable, 0 = disable
```

```
data[1]
16 15 14 13 12 11 10 09 Enable Reporting of sensor with
| | | | | | | | device index of:
| | | | | | | | 8: 1 = enable, 0 = disable
| | | | | | | | 9: 1 = enable, 0 = disable
| | | | | | | | 10: 1 = enable, 0 = disable
| | | | | | | | 11: 1 = enable, 0 = disable
| | | | | | | | 12: 1 = enable, 0 = disable
| | | | | | | | 13: 1 = enable, 0 = disable
| | | | | | | | 14: 1 = enable, 0 = disable
| | | | | | | | 15: 1 = enable, 0 = disable
```

```
data[2]
24 23 22 21 20 19 18 17 Enable Reporting of sensor with
| | | | | | | | device index of:
| | | | | | | | 16: 1 = enable, 0 = disable
| | | | | | | | 17: 1 = enable, 0 = disable
| | | | | | | | 18: 1 = enable, 0 = disable
| | | | | | | | 19: 1 = enable, 0 = disable
| | | | | | | | 20: 1 = enable, 0 = disable
| | | | | | | | 21: 1 = enable, 0 = disable
| | | | | | | | 22: 1 = enable, 0 = disable
| | | | | | | | 23: 1 = enable, 0 = disable
```

```

data[3]
32 31 30 29 28 27 26 25 Enable Reporting of sensor with
| | | | | | | | device index of:
| | | | | | | | --- 24: 1 = enable, 0 = disable
| | | | | | | | ----- 25: 1 = enable, 0 = disable
| | | | | | | | ----- 26: 1 = enable, 0 = disable
| | | | | | | | ----- 27: 1 = enable, 0 = disable
| | | | | | | | ----- 28: 1 = enable, 0 = disable
| | | | | | | | ----- 29: 1 = enable, 0 = disables
| | | | | | | | ----- 30: 1 = enable, 0 = disable
| | | | | | | | ----- 31: 1 = enable, 0 = disable

```

Any sensor enabled must have been detected as a 0x22 (DS1822 temperature sensor) or 0x28 (DS18B20 temperature sensor) during DOW enumeration. This can be verified by using the command [18 \(0x12\): Read DOW Device Information](#).

The return packet will be:

```

type: 0x40 | 0x13 = 0x53 = 8310
data_length = 0

```

## 20 (0x14): Arbitrary DOW Transaction

The CFA633 can function as an RS-232 to Dallas One-Wire bridge. This command allows you to specify arbitrary transactions on the One-Wire bus. One-Wire commands follow this basic layout:

```

<bus reset> //Required
<address_phase> //Must be "Match ROM" or "Skip ROM"
<write_phase> //optional, but at least one of write_phase or read_phase must be sent
<read_phase> //optional, but at least one of write_phase or read_phase must be sent

```

```

type: 0x14 = 2010
valid data_length is 2 to 16 data[0] = device_index (0-32 valid)
data[1] = number_of_bytes_to_read (0-14 valid)
data[2-15] = data_to_be_written[data_length-2]

```

If `device_index` is 32, then no address phase will be executed. If `device_index` is in the range of 0 to 31, and a One-Wire device was detected for that `device_index` at power on, then the write cycle will be prefixed with a "Match ROM" command and the address information for that device.

If `data_length` is two, then no specific write phase will be executed (although address information may be written independently of `data_length` depending on the value of `device_index`).

If `data_length` is greater than two, then `data_length-2` bytes of `data_to_be_written` will be written to the One-Wire bus immediately after the address phase.

If `number_of_bytes_to_read` is zero, then no read phase will be executed. If `number_of_bytes_to_read` is not zero, then `number_of_bytes_to_read` will be read from the bus and loaded into the response packet.

The return packet will be:

```

type: 0x40 | 0x14 = 0x54 = 8410
data_length = 2 to 16

```

```

data[0] = device index (0-31 valid)
data[data_length-2] = Data read from the One-Wire bus. This is the same
                    as number_of_bytes_to_read from the command.
data[data_length-1] = One-Wire CRC

```

## 21 (0x15): Set Up Live Fan or Temperature Display

You can configure the CFA633 to automatically update a portion of the LCD with a “live” RPM or temperature reading. Once the display is configured using this command, the CFA633 will continue to display the live reading on the LCD without host intervention. The Set Up Live Fan or Temperature Display is one of the items stored by command [4 \(0x04\): Store Current State as Boot State](#), so you can configure the CFA633 to immediately display fan speeds or system temperatures as soon as power is applied.

The live display is based on a concept of display slots. There are 8 slots, and each of the 8 slots may be enabled or disabled independently.

Any slot may be requested to display any data that is available. For instance, slot 0 could display temperature sensor 3 in °C, while slot 1 could simultaneously display temperature sensor 3 in °F.

Any slot may be positioned at any location on the LCD, as long as all the digits of that slot fall fully within the display area. It is legal to have the display area of one slot overlap the display area of another slot, but senseless. This situation should be avoided in order to have meaningful information displayed

```
type: 0x15 = 2110
valid data_length is 7 or 2 (for turning a slot off)
data[0]: display slot (0-7)
data[1]: type of item to display in this slot
         0 = nothing (data_length then must be 2)
         1 = fan tachometer RPM (data_length then must be 7)
         2 = temperature (data_length then must be 7)
data[2]: index of the sensor to display in this slot:
         0-3 are valid for fans
         0-31 are valid for temperatures (and the temperature
            device must be attached)
data[3]: number of digits
         for a fan: 4 digits (0 to 9999) valid fan speed range
         for a fan: 5 digits (0 to 50000) valid fan speed range
         for a temperature: 3 digits (-XX or XXX)
         for a temperature: 5 digits (-XX.X or XXX.X)
data[4]: display column
         0-13 valid for a 3-digit temperature
         0-12 valid for a 4-digit fan
         0-11 valid for a 5-digit fan or temperature
data[5]: display row (0-1 valid)
data[6]: pulses_per_revolution or temperature units
         for a fan: pulses per revolution for this fan (1 to 32)
         for a temperature: units (0 = deg C, 1 = deg F)
```

If a One-Wire CRC error is detected, the temperature will be displayed as "ERR" or "ERROR".

If the frequency of the tachometer signal is below the detectable range, the speed will be displayed as "SLOW" or "STOP".

Displaying a fan will override the fan power setting to 100% for up to 1/8 of a second every 1/2 second, see [Fan Connections](#) for a detailed description.

The return packet will be:

```
type: 0x40 | 0x15 = 0x55 = 8510
data_length = 0
```

## 22 (0x16): Send Command Directly to the LCD Controller

The controller on the CFA633 is HD44780 compatible. Generally, you won't need low-level access to the LCD controller but some arcane functions of the HD44780 are not exposed by the CFA633's command set. This command allows you to access the CFA633's LCD controller directly.

**IMPORTANT:** It is possible to corrupt the CFA633 display using this command.

```
type: 0x16 = 2210
data_length: 2
data[0]: location code
         0 = "Data" register
         1 = "Control" register
data[1]: data to write to the selected register
```

The return packet will be:

```
type: 0x40 | 0x16 = 0x56 = 8610
data_length = 0
```

### 23 (0x17): Configure Key Reporting

By default, the CFA633 reports any key event to the host. This command allows the key events to be enabled or disabled on an individual basis. The key events set to report are one of the items stored by the command [4 \(0x04\): Store Current State as Boot State](#).

```
#define KP_UP           0x01
#define KP_ENTER       0x02
#define KP_CANCEL      0x04
#define KP_LEFT        0x08
#define KP_RIGHT       0x10
#define KP_DOWN        0x20

type: 0x17 = 2310
data_length = 2
data[0]: press mask
data[1]: release mask
```

The return packet will be:

```
type: 0x40 | 0x17 = 0x57 = 8710
data_length = 0
```

Configure Key Reporting is one of the items stored by the command [4 \(0x04\): Store Current State as Boot State](#).

### 24 (0x18): Read Keypad, Polled Mode

In some situations, it may be convenient for the host to poll the CFA633 for key activity. This command allows the host to detect which keys are currently pressed, which keys have been pressed since the last poll, and which keys have been released since the last poll.

This command is independent of the key reporting masks set by command [23 \(0x17\): Configure Key Reporting](#). All keys are always visible to this command. Typically, both masks of command 23 would be set to "0" if the host is reading the keypad in polled mode.

```
#define KP_UP           0x01
#define KP_ENTER       0x02
#define KP_CANCEL      0x04
#define KP_LEFT        0x08
#define KP_RIGHT       0x10
#define KP_DOWN        0x20

type: 0x18 = 2410
data_length = 0
```

The return packet will be:

```
type: 0x40 | 0x18 = 0x58 = 8810  
data_length = 3
```

```
data[0] = bit mask showing the keys currently pressed  
data[1] = bit mask showing the keys that have been pressed since the last poll  
data[2] = bit mask showing the keys that have been released since the last poll
```

### **25 (0x19): Set Fan Power Fail-Safe**

The CFA633 can be used as part of an active cooling system. For instance, the fans in a system can be slowed down to reduce noise when a system is idle or when the ambient temperature is low, and sped up when the system is under heavy load or the ambient temperature is high.

Since there are a very large number of ways to control the speed of the fans (thresholds, thermostat, proportional, PID, multiple temperature sensors contributing to the speed of several fans, etc.), there was no way to foresee the particular requirements of your system and include an algorithm in the CFA633's firmware that would be an optimal fit for your application.

Varying fan speeds under host software control gives the ultimate flexibility in system design but would typically have a fatal flaw: a host software or hardware failure could cause the cooling system to fail. If the fans were set at a slow speed when the host software failed, system components may be damaged due to inadequate cooling.

The fan power fail-safe command allows host control of the fans without compromising safety. When the fan control software activates, it should set the fans that are under its control to fail-safe mode with an appropriate timeout value. If for any reason the host fails to update the power of the fans before the timeout expires, the fans previously set to fail-safe mode will be forced to 100% power.

```
#define FAN_1      0x01  
#define FAN_2      0x02  
#define FAN_3      0x04  
#define FAN_4      0x08  
  
type = 0x19 = 2510  
data_length = 2  
data[0] = bit mask of fans set to fail-safe (1-15 valid)  
data[1] = timeout value in 1/8 second ticks:  
    1 = 1/8 second  
    2 = 1/4 second  
    255 = 31 7/8 seconds
```

The return packet will be:

```
type = 0x40 | 0x19 = 0x59 = 8910  
data_length = 0
```

### **26 (0x1A): Set Fan Tachometer Glitch Filter**

The CFA633 controls fan speed by using PWM. Using PWM turns the power to a fan on and off quickly to change the average power delivered to the fan. The CFA633 uses approximately 18 Hz for the PWM repetition rate. The fan's tachometer output is only valid if power is applied to the fan. Most fans produce a valid tachometer output very quickly after the fan has been turned back on but some fans take time after being turned on before their tachometer output is valid.

This command allows you to set a variable-length delay after the fan has been turned on before the CFA633 will recognize transitions on the tachometer line. The delay is specified in counts, each count being nominally 552.5  $\mu$ S long (1/100 of one period of the 18 Hz PWM repetition rate).

In practice, most fans will not need the delay to be changed from the default length of 1 count. If a fan's tachometer output is not stable when its PWM setting is other than 100%, simply increase the delay until the reading is stable.

Typically, you would (1) start at a delay count of 50 or 100, (2) reduce it until the problem reappears, and then (3) slightly increase the delay count to give it some margin.

Setting the glitch delay to higher values will make the RPM monitoring slightly more intrusive at low power settings. Also, the higher values will increase the lowest speed that a fan with RPM reporting enabled will seek at 0% power setting.

The Fan Glitch Delay is one of the items stored by the command [4 \(0x04\): Store Current State as Boot State](#).

```
type = 0x1A = 2610
data_length = 4
```

```
data[0] = delay count of fan 1
data[1] = delay count of fan 2
data[2] = delay count of fan 3
data[3] = delay count of fan 4
```

The return packet will be:

```
type = 0x40 | 0x1A = 0x5A = 9010
data_length = 0
```

### **27 (0x1B): Query Fan Power & Fail-Safe Mask**

This command can be used to verify the current fan power and verify which fans are set to fail-safe mode.

```
#define FAN_1      0x01
#define FAN_2      0x02
#define FAN_3      0x04
#define FAN_4      0x08
```

```
type = 0x1B = 2710
data_length = 0
```

The return packet will be:

```
type = 0x40 | 0x1B = 0x5B = 9110
data_length = 5
```

```
data[0] = fan 1 power
data[1] = fan 2 power
data[2] = fan 3 power
data[3] = fan 4 power
data[4] = bit mask of fans with fail-safe set
```

## 28 (0x1C): Set ATX Power Switch Functionality

The combination of the CFA633 with the Crystalfontz [WR-PWR-Y14](#) cable can be used to replace the function of the power and reset switches in a standard ATX-compatible system. The ATX Power Switch Functionality is one of the items stored by the command [4 \(0x04\): Store Current State as Boot State](#).

### **REGARDING COMMAND 28: SET ATX SWITCH FUNCTIONALITY**

The GPIO pins used for ATX control must not be configured as user GPIO. The pins must be configured to their default drive mode in order for the ATX functions to work correctly.

These settings are factory default but may be changed by the user. Please see command [34 \(0x22\): Set or Set and Configure GPIO Pins](#). These settings must be saved as the boot state.

To ensure that GPIO[1] will operate correctly as ATX SENSE, user GPIO[1] must be configured as:

```
DDD = "011: 1=Resistive Pull Up, 0=Fast, Strong Drive Down". F = "0:  
Port unused for user GPIO."
```

This configuration can be assured by sending the following command:

```
command = 34  
length = 3  
data[0] = 1  
data[1] = 0  
data[2] = 3
```

To ensure that GPIO[2] will operate correctly as ATX POWER, user GPIO[2] must be configured as:

```
DDD = "010: Hi-Z, use for input".
```

```
F = "0: Port unused for user GPIO."
```

This configuration can be assured by sending the following command:

```
command = 34  
length = 3  
data[0] = 2  
data[1] = 0  
data[2] = 2
```

To ensure that GPIO[3] will operate correctly as ATX RESET, user GPIO[3] must be configured as:

```
DDD = "010: Hi-Z, use for input".
```

```
F = "0: Port unused for user GPIO."
```

This configuration can be assured by sending the following command:

```
command = 34  
length = 3  
data[0] = 3  
data[1] = 0  
data[2] = 2
```

These settings must be saved as the boot state.

The RESET (GPIO[3]) and POWER CONTROL (GPIO[2]) lines on the CFA633 are normally high-impedance. Electrically, they appear to be disconnected or floating. When the CFA633 asserts the RESET or POWER CONTROL lines, they are momentarily driven high or low (as determined by the AUTO\_POLARITY, RESET\_INVERT or POWER\_INVERT bits, detailed below). To end the power or reset pulse, the CFA633 changes the lines back to high-impedance.

## Four Functions may be Enabled by Command 28

### Function 1: KEYPAD\_RESET

If POWER-ON SENSE (GPIO[1]) is high, holding the green check key for 4 seconds will pulse RESET (GPIO[3]) pin for 1 second. During the 1-second pulse, the CFA633 will show "RESET", and then the CFA633 will reset itself, showing its boot state as if it had just powered on. Once the pulse has finished, the CFA633 will not respond to any commands until after it has reset the host and itself.

### Function 2: KEYPAD\_POWER\_ON

If POWER-ON SENSE (GPIO[1]) is low, pressing the green check key for 0.25 seconds will pulse POWER CONTROL (GPIO[2]) for the duration specified by in data[1] or the default of 1 second. During this time the CFA633 will show "POWER ON", then the CFA633 will reset itself.

### Function 3: KEYPAD\_POWER\_OFF

If POWER-ON SENSE (GPIO[1]) is high, holding the red X key for 4 seconds will pulse POWER CONTROL (GPIO[2]) for the duration specified by in data[1] or the default of 1 second. If the user continues to hold the power key down, then the CFA633 will continue to drive the line for a maximum of 5 additional seconds. During this time the CFA633 will show "POWER OFF".

### Function 4: LCD\_OFF\_IF\_HOST\_IS\_OFF

If LCD\_OFF\_IF\_HOST\_IS\_OFF is set, the CFA633 will blank its screen and turn off its backlight to simulate its power being off any time POWER-ON SENSE is low.

By default, there is an internal POWER-ON-SENSE connected to the +5v pin of J\_PWR, selected by setting data [2] to 1. Alternatively, GPIO[1] may be configured to act as POWER-ON-SENSE through R21 of 5K, and specifying data[2] as 0. The CFA633 will still be active (since it is powered by VSB, standby power which is always-on), monitoring the keypad for a power-on keystroke. Once POWER- ON SENSE goes high, the CFA633 will reboot as if power had just been applied to it.

```
#define AUTO_POLARITY                0x01 //Automatically detects polarity for reset
                                       and//power (recommended)
#define RESET_INVERT                 0x02 //Reset pin drives high instead of low
#define POWER_INVERT                 0x04 //Power pin drives high instead of low
#define LCD_OFF_IF_HOST_IS_OFF      0x10
#define KEYPAD_RESET                 0x20
#define KEYPAD_POWER_ON              0x40
#define KEYPAD_POWER_OFF             0x80

type: 0x1C = 2810
data_length: 1 or 2
data[0]: bit mask of enabled functions
data[1]: (optional) length of power on & off pulses in 1/32 second
          1 = 1/32 sec
          2 = 1/16 sec
          16 = 1/2 sec
          254 = 7.9 seconds
          255 = Assert power control line until host power state changes
```

The return packet will be:

```
type: 0x40 | 0x1C = 0x5C = 9210
data_length: 0
```



### 29 (0x1D): Enable/Disable and Reset the Watchdog

Some high-availability systems use hardware watchdog timers to ensure that a software or hardware failure does not result in an extended system outage. Once the host system has booted, a system monitor program is started. The system monitor program would enable the watchdog timer on the CFA633. If the system monitor program fails to reset the CFA633's watchdog timer, the CFA633 will reset the host system.

The GPIO pins used for ATX control must not be configured as user GPIO. They must be configured to their default drive mode in order for the ATX functions to work correctly. These settings are factory default, but may be changed by the user. See the note under command 28 (0x1C): Set ATX Power Switch Functionality or command [34 \(0x22\): Set or Set and Configure GPIO Pins](#).

```
type: 0x1D = 2910
data_length = 1
data[0] = enable/timeout
```

If timeout is 0, the watchdog is disabled.

If timeout is 1-255, then this command must be issued again within timeout seconds to avoid a watchdog reset.

To turn the watchdog off once it has been enabled, simply set timeout to 0.

If the command is not re-issued within timeout seconds, then the CFA633 will reset the host (see command 28 for details). Since the watchdog is off by default when the CFA633 powers up, the CFA633 will not issue another host reset until the host has once again enabled the watchdog.

The return packet will be:

```
type: 0x40 | 0x1D = 0x5D =
9310 data_length = 0
```

### 30 (0x1E): Read Reporting & Status

This command can be used to verify the current items configured to report to the host, as well as some other miscellaneous status information. Please note that the information returned by other modules is not identical to this.

```
type = 0x1E = 3010
data_length = 0
```

The return packet will be:

```
type = 0x40 | 0x1E = 0x5E = 9410
data_length = 15
data[0] = fan 1-4 reporting status (as set by command 16)
data[1] = temperatures 1-8 reporting status (as set by command 19)
data[2] = temperatures 9-15 reporting status (as set by command 19)
data[3] = temperatures 16-23 reporting status (as set by command 19)
data[4] = temperatures 24-32 reporting status (as set by command 19)
data[5] = key presses (as set by command 23)
data[6] = key releases (as set by command 23)
data[7] = ATX Power Switch Functionality (as set by command 28)
data[8] = current watchdog counter (as set by command 29)
data[9] = fan RPM glitch delay[0] (as set by command 26)
data[10] = fan RPM glitch delay[1] (as set by command 26)
data[11] = fan RPM glitch delay[2] (as set by command 26)
data[12] = fan RPM glitch delay[3] (as set by command 26)
data[13] = contrast setting (as set by command 13)
data[14] = backlight setting (as set by command 14)
```

**NOTE:** Previous and future firmware versions may return fewer or additional bytes.

### 31 (0x1F): Send Data to LCD

This command allows data to be placed at any position on the LCD.

```
type: 0x1F = 3110
data_length = 3 to 18
data[0]: col = x = 0 to 15
data[1]: row = y = 0 to 1
data[2-21]: text to place on the LCD, variable from 1 to 16 characters
```

The return packet will be:

```
type: 0x40 | 0x1F = 0x5F = 9510
data_length = 0
```

Send Data to LCD is one of the items stored by the command [4 \(0x04\): Store Current State as Boot State](#).

### 32 Reserved for CFA631 [Key Legends](#)

### 33 (0x21): Set Baud Rate

This command will change the CFA633's baud rate. The CFA633 will send the acknowledge packet for this command and change its baud rate to the new value. The host should send the baud rate command, wait for a positive acknowledge from the CFA633 at the old baud rate, and then switch itself to the new baud rate. The baud rate must be saved by the command [4 \(0x04\): Store Current State as Boot State](#) if you want the CFA633 to power up at the new baud rate.

The factory default baud rate is 19200.

```
type: 0x21 = 3310
data_length = 0
data[0]: 0 = 19200 baud
         1 = 115200 baud
```

The return packet will be:

```
type: 0x40 | 0x21 = 0x61 = 9710
data_length = 0
```

### 34 (0x22): Set or Set and Configure GPIO Pins

The CFA633 (hardware versions v1.4 and up, firmware versions 1.9 and up) has five pins for user-definable general-purpose input / output (GPIO). These pins are shared with the DOW and ATX functions. Be careful when you configure the GPIO if you want to use the ATX or DOW at the same time.

The architecture of the CFA633 allows great flexibility in the configuration of the GPIO pins. They can be set as input or output. They can output constant high or low signals or a variable duty cycle 100 Hz PWM signal.

In output mode using the PWM (and a suitable current limiting resistor), an LED may be turned on or off and even dimmed under host software control. With suitable external circuitry, the GPIOs can also be used to drive external logic or power transistors.

The CFA633 continuously polls the GPIOs as inputs at 32 Hz. The present level can be queried by the host software at a lower rate. The CFA633 also keeps track of whether there were rising or falling edges since the last host query (subject to the resolution of the 32 Hz sampling). This means that the host is not forced to poll quickly in order to detect short events. The algorithm used by the CFA633 to read the inputs is inherently "bounce-free".

The GPIOs also have “pull-up” and “pull-down” modes. These modes can be useful when using the GPIO as an input connected to a switch since no external pull-up or pull-down resistor is needed. For instance, the GPIO can be set to pull up. Then when a switch connected between the GPIO and ground is open, reading the GPIO will return a “1”. When the switch is closed, the input will return a “0”.

Pull-up/pull-down resistance values are approximately 5kΩ. Do not exceed current of 25 mA per GPIO.

#### REGARDING SETTING AND CONFIGURING GPIO PINS

The GPIO pins may also be used for ATX control through header J8 and temperature sensing through the CFA633’s DOW header. By factory default, the GPIO output setting, function, and drive mode are set correctly to enable operation of the ATX and DOW functions. **The GPIO output setting, function, and drive mode must be set to the correct values in order for the ATX and DOW functions to work. Improper use of this command can disable the ATX and DOW functions.** The [cfTest](#) may be used to easily check and reset the GPIO configuration to the default state so the ATX and DOW functions will work.

The GPIO configuration is one of the items stored by the command [4 \(0x04\): Store Current State as Boot State](#).

```
type: 0x22 = 3410
data_length:
  2 bytes to change value only
  3 bytes to change value and configure function and drive mode

data[0]: index of GPIO to modify
  0 = GPIO[0] = J8, Pin 7
  1 = GPIO[1] = J8, Pin 6 (default is ATX Host Power Sense)
  2 = GPIO[2] = J8, Pin 5 (default is ATX Host Power Control)
  3 = GPIO[3] = J8, Pin 4 (default is ATX Host Reset Control)
  4 = GPIO[4] = J9, Pin 2 (default is DOW I/O--always has 1kΩ hardware
  pull-up)
  5-255 = reserved
```

**NOTE:** Future versions of this command on future hardware models may accept additional values for data [0], which would control the state of future additional GPIO pins.

```

data[1] = Pin output state (actual behavior depends on drive mode):
    0 = Output set to low
    1-99 = Output duty cycle percentage (100 Hz nominal)
    100 = Output set to high
    101-255 = invalid

data[2] = Pin function select and drive mode (optional, 0-15 valid)
----- FDDD
||||-- DDD = Drive Mode (based on output state of 1 or 0)
=====
000: 1=Fast, Strong Drive Up, 0=Resistive Pull Down
001: 1=Fast, Strong Drive Up, 0=Fast, Strong Drive Down
010: Hi-Z, use for input
011: 1=Resistive Pull Up,      0=Fast, Strong Drive Down
100: 1=Slow, Strong Drive Up, 0=Hi-Z
101: 1=Slow, Strong Drive Up, 0=Slow, Strong Drive Down
110: reserved, do not use
111: 1=Hi-Z,                  0=Slow, Strong Drive Down

----- F = Function
=====
0: Port unused for GPIO. It will take on the default
   function such as ATX, DOW or unused. The user is
   responsible for setting the drive to the correct
   value in order for the default function to work
   correctly.
1: Port used for GPIO under user control. The user is
   responsible for setting the drive to the correct
   value in order for the desired GPIO mode to work
   correctly.
----- reserved, must be 0

```

The return packet will be:

```

type = 0x40 | 0x22 = 0x62 = 9810
data_length = 0

```

### 35 (0x23): Read GPIO Pin Levels and Configuration State

See command [34 \(0x22\): Set or Set and Configure GPIO Pins](#) for details on the GPIO architecture.

```

type: 0x23 = 3510
data_length: 1
data[0]: index of GPIO to query
    0 = GPIO[0] = J8, Pin 7
    1 = GPIO[1] = J8, Pin 6 (default is ATX Host Power Sense)
    2 = GPIO[2] = J8, Pin 5 (default is ATX Host Power Control)
    3 = GPIO[3] = J8, Pin 4 (default is ATX Host Reset Control)
    4 = GPIO[4] = J9, Pin 2 (default is DOW I/O--always has 1KΩ hardware
      pull-up on SCAB.)
    5-255 = reserved

```

**NOTE:** Future versions of this command on future hardware models may accept additional values for data [0], which would return the status of future additional GPIO pins.

The return packet will be:

```
type = 0x40 | 0x23 = 0x63 = 9910
data_length = 4
```

returns:

```
data[0] = index of GPIO read
data[1] = Pin state & changes since last poll
---- -RFS Enable Reporting of this Fan's Tach Input
|||| |--- S = state at the last reading
|||| |--- F = at least one falling edge has
|||| |         been detected since the last poll
|||| |--- R = at least one rising edge has
|||| |         been detected since the last poll
|||| |----- reserved
```

(This reading is the actual pin state, which may or may not agree with the pin setting, depending on drive mode and the load presented by external circuitry. The pins are polled at approximately 32 Hz asynchronously with respect to this command. Transients that happen between polls will not be detected.)

data[2] = Requested Pin level/PWM level

0-100: Output duty cycle percentage

(This value is the requested PWM duty cycle. The actual pin may or may not be toggling in agreement with this value, depending on the drive mode and the load presented by external circuitry)

data[3] = Pin function select and drive mode

```
---- FDDD
|||| |--- DDD = Drive Mode
|||| |=====
|||| | 000: 1=Fast, Strong Drive Up, 0=Resistive Pull Down
|||| | 001: 1=Fast, Strong Drive Up, 0=Fast, Strong Drive Down
|||| | 010: Hi-Z, use for input
|||| | 011: 1=Resistive Pull Up,      0=Fast, Strong Drive Down
|||| | 100: 1=Slow, Strong Drive Up, 0=Hi-Z
|||| | 101: 1=Slow, Strong Drive Up, 0=Slow, Strong Drive Down
|||| | 110: reserved
|||| | 111: 1=Hi-Z,                  0=Slow, Strong Drive Down
|||| |----- F = Function
|||| |=====
|||| | 0: Port unused for GPIO. It will take on the default
|||| |     function such as ATX, DOW or unused. The user is
|||| |     responsible for setting the drive to the correct
|||| |     value in order for the default function to work
|||| |     correctly.
|||| | 1: Port used for GPIO under user control. The user is
|||| |     responsible for setting the drive to the correct
|||| |     value in order for the desired GPIO mode to work
|||| |     correctly.
|||| |----- reserved, will return 0
```

## 11. Character Generator ROM (CGROM)

To find the code for a given character, add the two numbers that are shown in bold for its row and column. For example, the Greek letter "β" is in the column labeled "224<sub>d</sub>" and in the row labeled "2<sub>d</sub>". Add 224 + 2 to get 226. When you send a byte with the value of 226 to the display, the Greek letter "β" will be shown.

upper 4 bits lower 4 bits	0 <sub>d</sub> 0000 <sub>2</sub>	16 <sub>d</sub> 0001 <sub>2</sub>	32 <sub>d</sub> 0010 <sub>2</sub>	48 <sub>d</sub> 0011 <sub>2</sub>	64 <sub>d</sub> 0100 <sub>2</sub>	80 <sub>d</sub> 0101 <sub>2</sub>	96 <sub>d</sub> 0110 <sub>2</sub>	112 <sub>d</sub> 0111 <sub>2</sub>	128 <sub>d</sub> 1000 <sub>2</sub>	144 <sub>d</sub> 1001 <sub>2</sub>	160 <sub>d</sub> 1010 <sub>2</sub>	176 <sub>d</sub> 1011 <sub>2</sub>	192 <sub>d</sub> 1100 <sub>2</sub>	208 <sub>d</sub> 1101 <sub>2</sub>	224 <sub>d</sub> 1110 <sub>2</sub>	240 <sub>d</sub> 1111 <sub>2</sub>
0 <sub>d</sub> 0000 <sub>2</sub>	CGRAM [0]			0	1	2	3	4	5	6	7	8	9	0	1	2
1 <sub>d</sub> 0001 <sub>2</sub>	CGRAM [1]	!	1	A	Q	a	q					°	²	³	¼	½
2 <sub>d</sub> 0010 <sub>2</sub>	CGRAM [2]	"	2	B	R	b	r					´	ı	ı	ı	ı
3 <sub>d</sub> 0011 <sub>2</sub>	CGRAM [3]	#	3	C	S	c	s					¸	¸	¸	¸	¸
4 <sub>d</sub> 0100 <sub>2</sub>	CGRAM [4]	\$	4	D	T	d	t					˘	ı	ı	ı	ı
5 <sub>d</sub> 0101 <sub>2</sub>	CGRAM [5]	%	5	E	U	e	u					˙	˙	˙	˙	˙
6 <sub>d</sub> 0110 <sub>2</sub>	CGRAM [6]	&	6	F	V	f	v					˚	˚	˚	˚	˚
7 <sub>d</sub> 0111 <sub>2</sub>	CGRAM [7]	'	7	G	W	g	w					˛	˛	˛	˛	˛
8 <sub>d</sub> 1000 <sub>2</sub>	CGRAM [0]	(	8	H	X	h	x					˜	˜	˜	˜	˜
9 <sub>d</sub> 1001 <sub>2</sub>	CGRAM [1]	)	9	I	Y	i	y					ˆ	ˆ	ˆ	ˆ	ˆ
10 <sub>d</sub> 1010 <sub>2</sub>	CGRAM [2]	*	*	J	Z	j	z					˜	˜	˜	˜	˜
11 <sub>d</sub> 1011 <sub>2</sub>	CGRAM [3]	+	+	K	0	k	0					˘	˘	˘	˘	˘
12 <sub>d</sub> 1100 <sub>2</sub>	CGRAM [4]	,	<	L	1	l	1					˙	˙	˙	˙	˙
13 <sub>d</sub> 1101 <sub>2</sub>	CGRAM [5]	-	=	N	I	n	i					˚	˚	˚	˚	˚
14 <sub>d</sub> 1110 <sub>2</sub>	CGRAM [6]	.	>	N	^	n	^					˛	˛	˛	˛	˛
15 <sub>d</sub> 1111 <sub>2</sub>	CGRAM [7]	/	?	0	0	0	*					˜	˜	˜	˜	˜

Figure 13. Character Generator ROM (CGROM)

## 12. LCD Module Reliability and Longevity

We work to continuously improve our products, including backlights that are brighter and last longer. Slight color variations from module to module and batch to batch are normal. ***If you need modules with consistent color, please ask for a custom order.***

ITEM	SPECIFICATION	
LCD portion (excluding Keypad and Backlights)	50,000 to 100,000 hours (typical)	
Keypad rated lifetime	1,000,000 keystrokes	
White LED Display and Blue LED Keypad Backlights  <b>NOTE:</b> We recommend that the backlight of the white LED backlit modules be dimmed or turned off during periods of inactivity to conserve the white LED backlight lifetime.	Power-On Hours	% of Initial Brightness
	<10,000	>90%
	<50,000	>50%

### 12.1. Module Longevity (EOL / Replacement Policy)

Crystalfontz is committed to making all of our LCD modules available for as long as possible. For each module that we introduce, we intend to offer it indefinitely. We do not preplan a module's obsolescence. The majority of modules we have introduced are still available.

We recognize that discontinuing a module may cause problems for some customers. However, rapidly changing technologies, component availability, or low customer order levels may force us to discontinue ("End of Life", EOL) a module. For example, we must occasionally discontinue a module when a supplier discontinues a component or a manufacturing process becomes obsolete. When we discontinue a module, we will do our best to find an acceptable replacement module with the same fit, form, and function.

In most situations, you will not notice a difference when comparing a "fit, form, and function" replacement module to the discontinued module it replaces. However, sometimes a change in component or process for the replacement module results in a slight variation, perhaps an improvement, over the previous design.

Although the replacement module is still within the stated Datasheet specifications and tolerances of the discontinued module, changes may require modification to your circuit and/or firmware. Possible changes include:

- Backlight LEDs. Brightness may be affected (perhaps the new LEDs have better efficiency) or the current they draw may change (new LEDs may have a different VF).
- Controller. A new controller may require minor changes in your code.
- Component tolerances. Module components have manufacturing tolerances. In extreme cases, the tolerance stack can change the visual or operating characteristics.

Please understand that we avoid changing a module whenever possible; we only discontinue a module if we have no other option. We post Part Change Notices (PCN) on the product's website page as soon as possible. If interested, you can subscribe to future [Part Change Notices](#).

## 13. Care and Handling Precautions

For optimum operation of the CFA633-TMI-KU and to prolong its life, please follow the precautions described below.

### 13.1. ESD (Electrostatic Discharge)

This circuitry is industry standard CMOS logic and susceptible to ESD damage. Please use industry standard antistatic precautions as you would for any other static sensitive devices such as expansion cards, motherboards, or integrated circuits. Ground your body, work surfaces, and equipment.

### 13.2. Design and Mounting

- The exposed surface of the “glass” is actually a polarizer laminated on top of the glass. To protect the soft plastic polarizer from damage, the module ships with a protective film over the polarizer. Please peel off the protective film slowly. Peeling off the protective film abruptly may generate static electricity.
- The polarizer is made out of soft plastic and is easily scratched or damaged. When handling the module, avoid touching the polarizer. Finger oils are difficult to remove.
- [CFA633-TMI-KU without Crystalfontz overlay](#): To protect the soft plastic polarizer from damage, place a transparent plate (for example, acrylic, polycarbonate or glass) in front of the module, leaving a small gap between the plate and the display surface.
- Do not disassemble or modify the module.
- Do not modify the six tabs of the metal bezel or make connections to them.
- Do not reverse polarity to the power supply connections. Reversing polarity will immediately ruin the module.

### 13.3. Avoid Shock, Impact, Torque, or Tension

- Do not expose the CFA633-TMI-KU to strong mechanical shock, impact, torque, or tension.
- Do not drop, toss, bend, or twist the CFA633-TMI-KU.
- Do not place weight or pressure on the CFA633-TMI-KU.
- If the LCD panel breaks, be careful to not get the liquid crystal fluid in your mouth or eyes. If the liquid crystal fluid touches your skin, clothes, or work surface, wash it off immediately using soap and plenty of water.

### 13.4. If LCD Panel Breaks

- If the LCD panel breaks, be careful to not get the liquid crystal fluid in your mouth or eyes.
- If the liquid crystal fluid touches your skin, clothes, or work surface, wash it off immediately using soap and plenty of water.

### 13.5. Cleaning

- The polarizer (laminated to the glass) is soft plastic. The soft plastic is easily scratched or damaged. Be very careful when you clean the polarizer.
- Do not clean the polarizer with liquids. Do not wipe the polarizer with any type of cloth or swab (for example, Q-tips).
- Use the removable protective film to remove smudges (for example, fingerprints) and any foreign matter. If you no longer have the protective film, use standard transparent office tape (for example, Scotch® brand “Crystal Clear Tape”). If the polarizer is dusty, you may carefully blow it off with clean, dry, oil-free compressed air.
- [CFA633-TMI-KU without Crystalfontz overlay](#): The exposed surface of the LCD “glass” is actually the front polarizer laminated to the glass. The polarizer is made out of a fairly soft plastic and is easily scratched or damaged. The polarizer will eventually become hazy if you do not take great care when cleaning it. Long contact with moisture (from condensation or cleaning) may permanently spot or stain the polarizer.



### 13.6. Operation

- Your circuit should be designed to protect the CFA633-TMI-KU from ESD and power supply transients.
- Observe the operating temperature limitations: a minimum of -20°C to a maximum of +70°C with minimal fluctuation. Operation outside of these limits may shorten life and/or harm display.
- At lower temperatures of this range, response time is delayed.
- At higher temperatures of this range, display becomes dark. (You may need to adjust the contrast.)
- Operate away from dust, moisture, and direct sunlight.
- Adjust backlight brightness so the display is readable but not too bright. Dim or turn off the backlight during periods of inactivity to conserve the white LED backlight lifetime.

### 13.7. Storage and Recycling

- Store in an ESD-approved container away from dust, moisture, and direct sunlight.
- Observe the storage temperature limitations: -30°C minimum, +80°C maximum with minimal fluctuation. Rapid temperature changes can cause moisture to form, resulting in permanent damage.
- Do not allow weight to be placed on the CFA633-TMI-KU while they are in storage.
- Please recycle your outdated Crystalfontz modules at an approved facility.

# 14. Mechanical Drawings

## CFA633 Module Outline Drawing (1 of 2)

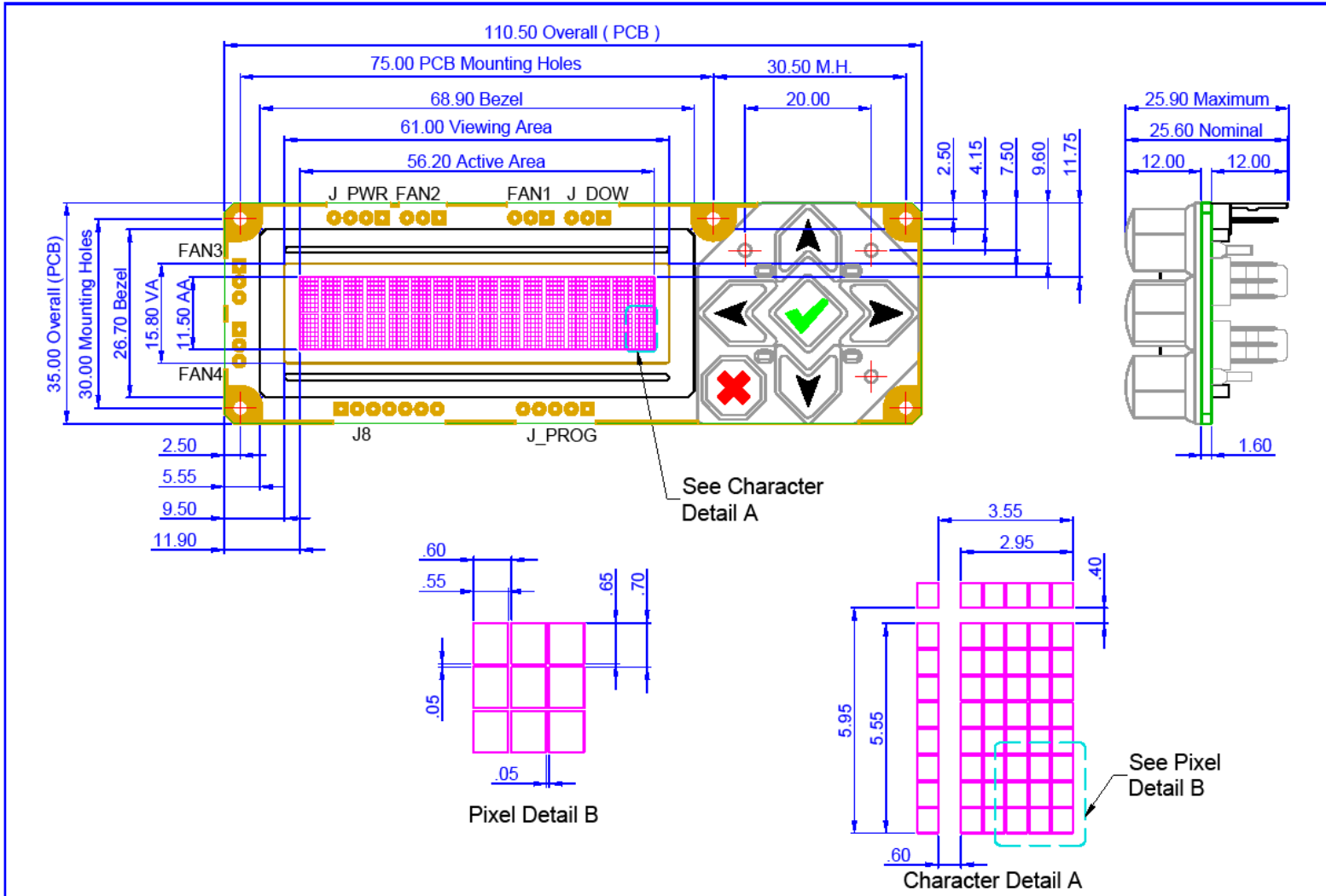


Illustration is deemed accurate but not guaranteed.



Copyright © 2017 by

**CrystalFontz America, Inc.**

[www.crystalfontz.com/products/](http://www.crystalfontz.com/products/)

Part No.(s):

CFA633-\*\*\*-KU  
version h2.1

Scale:

Not to scale

Units:

Millimeters

Drawing Number:

CFA633\_master

Date:

2017-03-06

Sheet:

1 of 2

# CFA633 Module Outline Drawing (2 of 2)

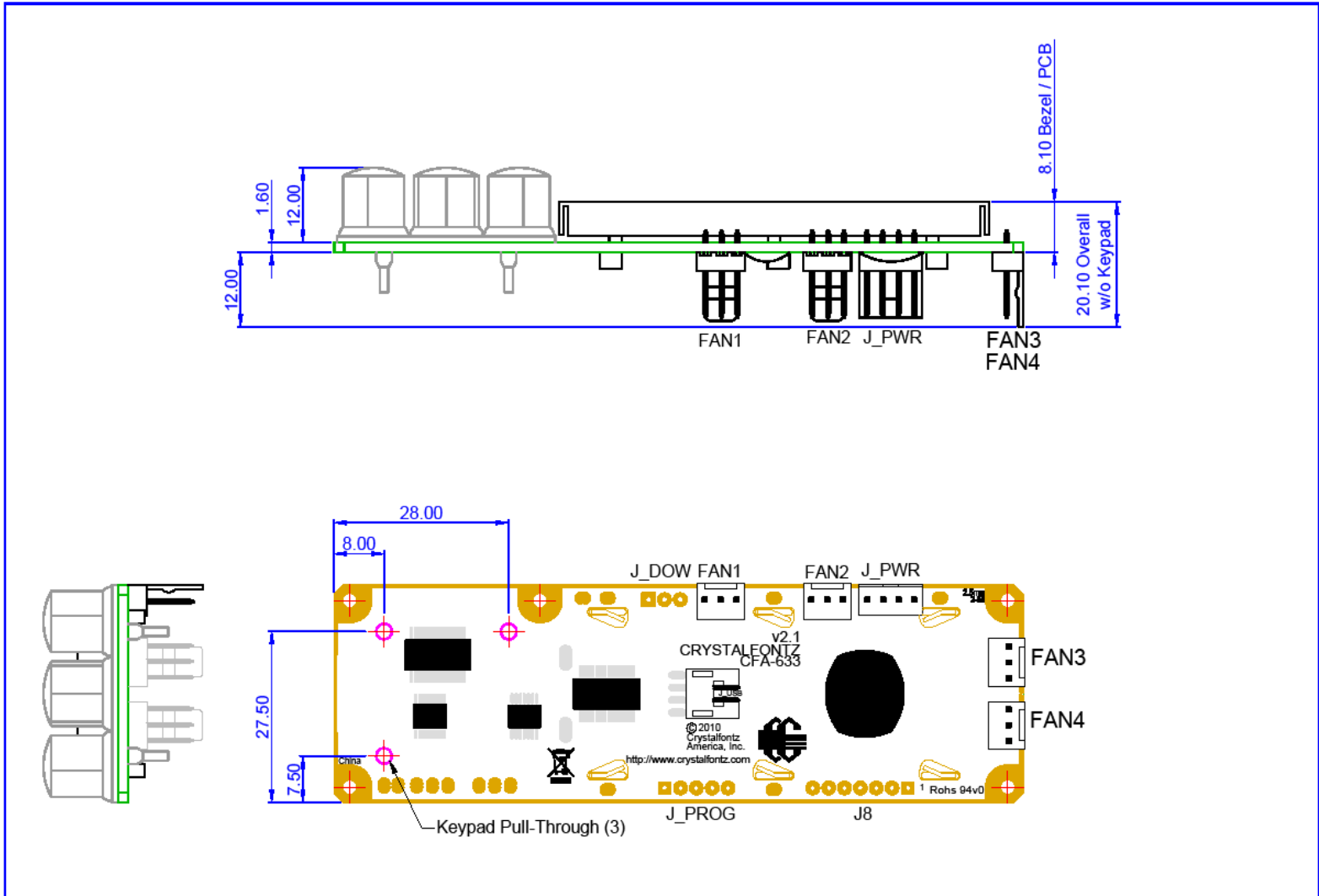

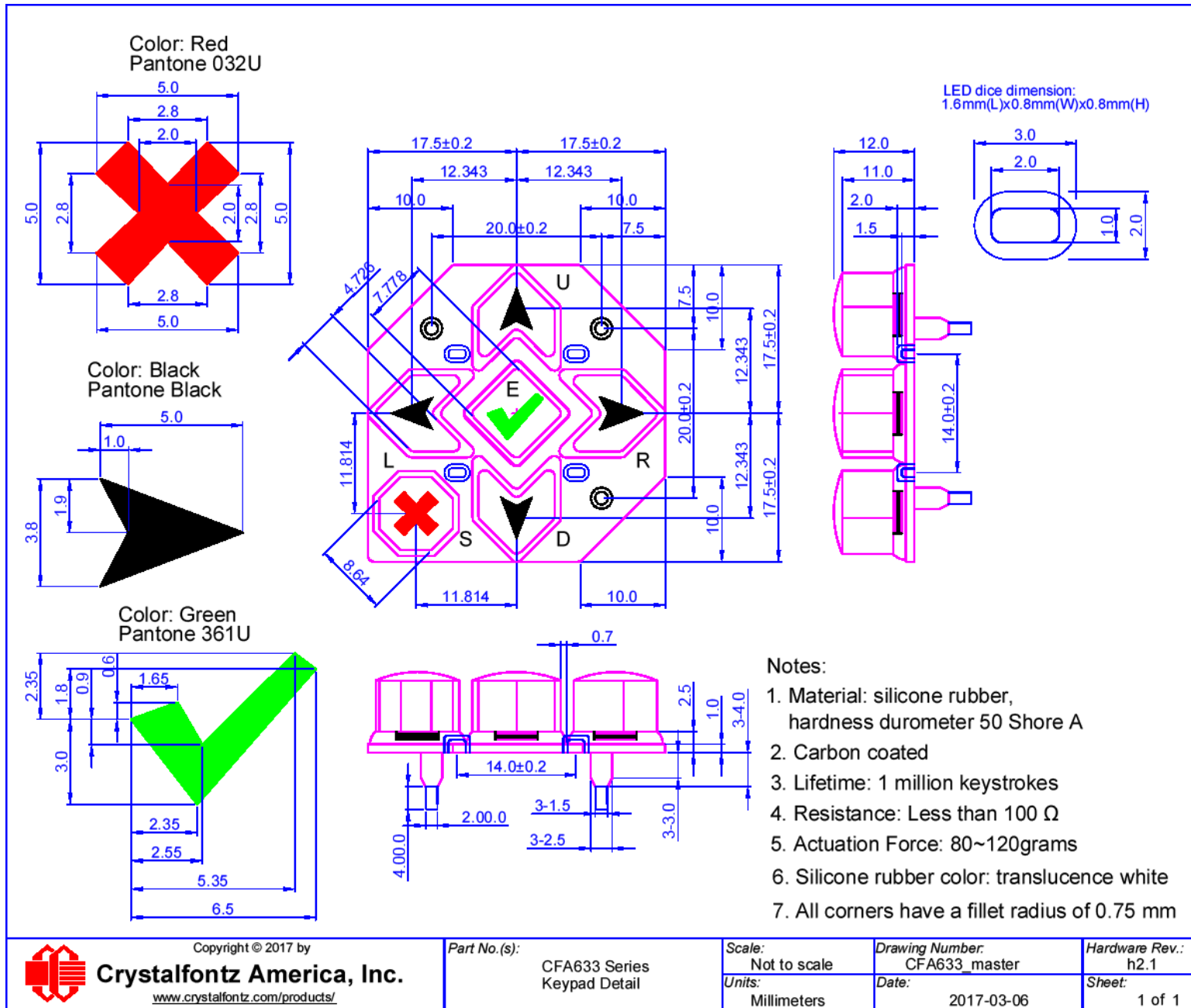


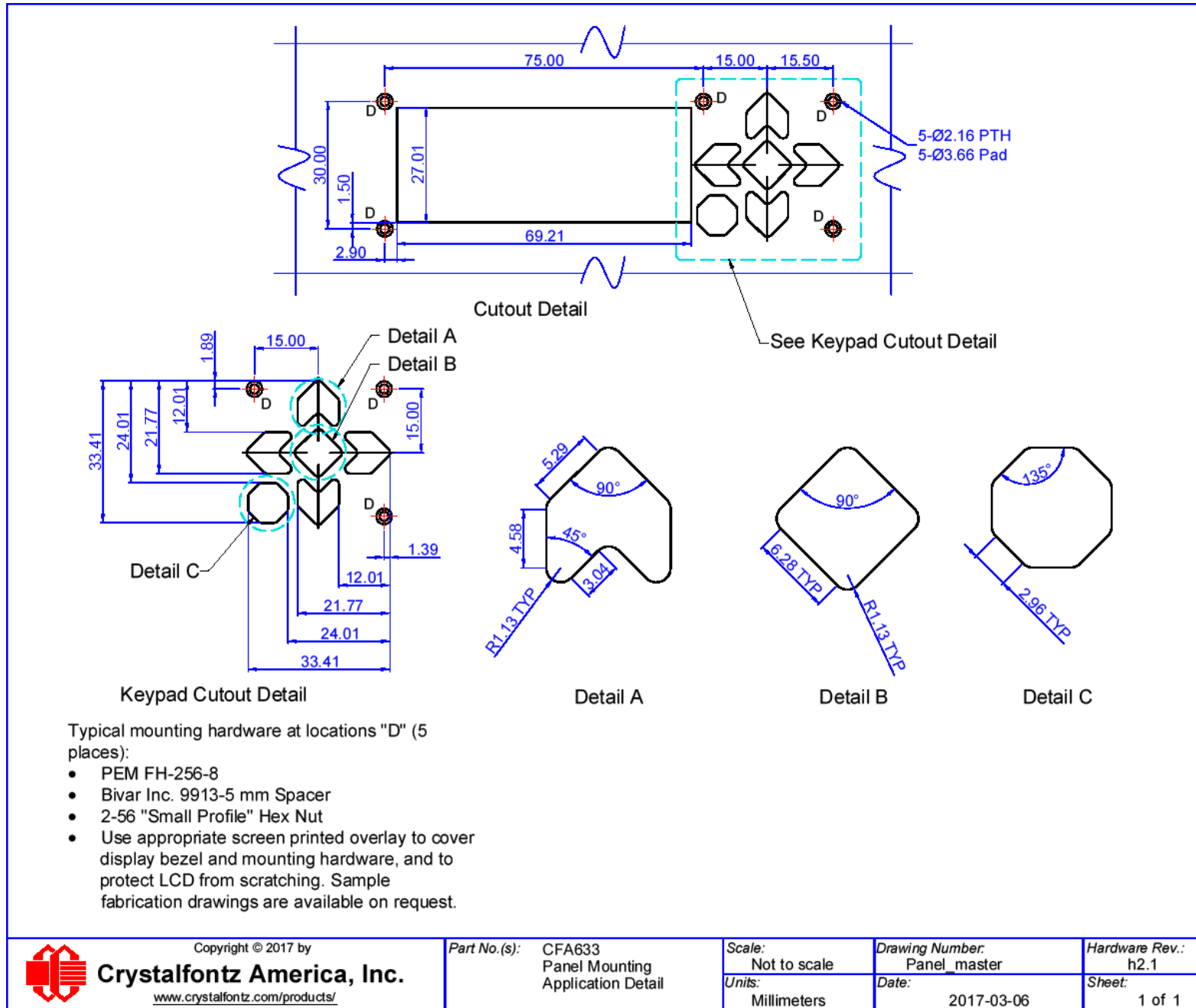
Illustration is deemed accurate but not guaranteed.

 <b>Crystalfontz America, Inc.</b> <a href="http://www.crystalfontz.com/products/">www.crystalfontz.com/products/</a>	Copyright © 2017 by Part No.(s): CFA633-xxx-KU	Scale: Not to scale	Drawing Number: CFA633_master	
		Units: Millimeters	Date: 2017-03-06	Sheet: 2 of 2

# Keypad Detail Drawing



# Panel Mounting Application Cutout Drawing



## 15. Appendix A: Demonstration Software and Sample Code

### Sample Code

We encourage you to use the free sample code listed below. Please leave the original copyrights in the code.

- Windows compatible test/demonstration program and source.  
<https://www.crystalfontz.com/product/cftest>
- Linux compatible command-line demonstration program with C source code. 8K.  
<https://www.crystalfontz.com/product/linuxexamplecode>
- Supported by CrystalControl freeware.  
<https://www.crystalfontz.com/product/CrystalControl2.html>

In addition, see <http://lcdproc.org/index.php3> for Linux LCD drivers. LCDproc is an open source project that supports many of the CrystalFontz displays.

### Algorithms to Calculate the CRC

Below are eight sample algorithms that will calculate the CRC of a CFA633 packet. Some of the algorithms were contributed by forum members and originally written for CFA631 and CFA635. The CRC used in the CFA633 is the same one that is used in IrDA, which came from PPP, which seems to be related to a CCITT (ref: Network Working Group Request for Comments: 1171) standard. At that point, the trail was getting a bit cold and diverged into several referenced articles and papers, dating back to 1983.

The polynomial used is  $X^{16} + X^{12} + X^5 + X^0$  (0x8408)

The result is bit-wise inverted before being returned.

### Algorithm 1: "C" Table Implementation

This algorithm is typically used on the host computer, where code space is not an issue.

```
//This code is from the IRDA LAP documentation, which appears to
//have been copied from PPP:
//
// http://irda.affiniscap.com/associations/2494/files/Specifications/
//IrLAP11_Plus_Errata.zip
//
//I doubt that there are any worries about the legality of this code,
//searching for the first line of the table below, it appears that
//the code is already included in the linux 2.6 kernel "Driver for
//ST5481 USB ISDN modem". This is an "industry standard" algorithm
//and I do not think there are ANY issues with it
at all. typedef unsigned char ubyte;
typedef unsigned short word;
word get_crc(ubyte *bufptr,word len)
{
//CRC lookup table to avoid bit-shifting loops.
static const word crcLookupTable[256] =
{0x00000,0x01189,0x02312,0x0329B,0x04624,0x057AD,0x06536,0x074BF,
0x08C48,0x09DC1,0x0AF5A,0x0BED3,0x0CA6C,0x0DBE5,0x0E97E,0x0F8F7,
0x01081,0x00108,0x03393,0x0221A,0x056A5,0x0472C,0x075B7,0x0643E,
0x09CC9,0x08D40,0x0BFDB,0x0AE52,0x0DAED,0x0CB64,0x0F9FF,0x0E876,
0x02102,0x0308B,0x00210,0x01399,0x06726,0x076AF,0x04434,0x055BD,
0x0AD4A,0x0BCC3,0x08E58,0x09FD1,0x0EB6E,0x0FAE7,0x0C87C,0x0D9F5,
0x03183,0x0200A,0x01291,0x00318,0x077A7,0x0662E,0x054B5,0x0453C,
0x0BDCB,0x0AC42,0x09ED9,0x08F50,0x0FBEF,0x0EA66,0x0D8FD,0x0C974,
0x04204,0x0538D,0x06116,0x0709F,0x00420,0x015A9,0x02732,0x036BB,
0x0CE4C,0x0DFC5,0x0ED5E,0x0FCD7,0x08868,0x099E1,0x0AB7A,0x0BAF3,
0x05285,0x0430C,0x07197,0x0601E,0x014A1,0x00528,0x037B3,0x0263A,
0x0DECD,0x0CF44,0x0FDDF,0x0EC56,0x098E9,0x08960,0x0BBFB,0x0AA72,
0x06306,0x0728F,0x04014,0x0519D,0x02522,0x034AB,0x00630,0x017B9,
0x0EF4E,0x0FEC7,0x0CC5C,0x0DDD5,0x0A96A,0x0B8E3,0x08A78,0x09BF1,
```

```

0x07387,0x0620E,0x05095,0x0411C,0x035A3,0x0242A,0x016B1,0x00738,
0x0FFCF,0x0EE46,0x0DCDD,0x0CD54,0x0B9EB,0x0A862,0x09AF9,0x08B70,
0x08408,0x09581,0x0A71A,0x0B693,0x0C22C,0x0D3A5,0x0E13E,0x0F0B7,
0x00840,0x019C9,0x02B52,0x03ADB,0x04E64,0x05FED,0x06D76,0x07CFF,
0x09489,0x08500,0x0B79B,0x0A612,0x0D2AD,0x0C324,0x0F1BF,0x0E036,
0x018C1,0x00948,0x03BD3,0x02A5A,0x05EE5,0x04F6C,0x07DF7,0x06C7E,
0x0A50A,0x0B483,0x08618,0x09791,0x0E32E,0x0F2A7,0x0C03C,0x0D1B5,
0x02942,0x038CB,0x00A50,0x01BD9,0x06F66,0x07EEF,0x04C74,0x05DFD,
0x0B58B,0x0A402,0x09699,0x08710,0x0F3AF,0x0E226,0x0D0BD,0x0C134,
0x039C3,0x0284A,0x01AD1,0x00B58,0x07FE7,0x06E6E,0x05CF5,0x04D7C,
0x0C60C,0x0D785,0x0E51E,0x0F497,0x08028,0x091A1,0x0A33A,0x0B2B3,
0x04A44,0x05BCD,0x06956,0x078DF,0x00C60,0x01DE9,0x02F72,0x03EFB,
0x0D68D,0x0C704,0x0F59F,0x0E416,0x090A9,0x08120,0x0B3BB,0x0A232,
0x05AC5,0x04B4C,0x079D7,0x0685E,0x01CE1,0x00D68,0x03FF3,0x02E7A,
0x0E70E,0x0F687,0x0C41C,0x0D595,0x0A12A,0x0B0A3,0x08238,0x093B1,
0x06B46,0x07ACF,0x04854,0x059DD,0x02D62,0x03CEB,0x00E70,0x01FF9,
0x0F78F,0x0E606,0x0D49D,0x0C514,0x0B1AB,0x0A022,0x092B9,0x08330,
0x07BC7,0x06A4E,0x058D5,0x0495C,0x03DE3,0x02C6A,0x01EF1,0x00F78};

```

```

register word
newCrc;
newCrc=0xFFFF;
//This algorithm is based on the IrDA LAP example.
while(len--)
    newCrc = (newCrc >> 8) ^ crcLookupTable[(newCrc ^ *bufptr++) & 0xff];

//Make this crc match the one's complement that is sent in the packet.
return(~newCrc);
}

```

## Algorithm 2: "C" Bit Shift Implementation

This algorithm was mainly written to avoid any possible legal issues about the source of the routine (at the request of the LCDproc group). This routine was "clean" coded from the definition of the CRC. It is ostensibly smaller than the table-driven approach but will take longer to execute. This routine is offered under the GPL.

```

typedef unsigned char ubyte;
typedef unsigned short word;
word get_crc(ubyte *bufptr,word len)
{
    register unsigned int
        newCRC;
    //Put the current byte in here.
    ubyte
        data;
    int
        bit_count;
    //This seed makes the output of this shift based algorithm match
    //the table based algorithm. The center 16 bits of the 32-bit
    //"newCRC" are used for the CRC. The MSb of the lower byte is used
    //to see what bit was shifted out of the center 16 bit CRC
    //accumulator ("carry flag analog");
    newCRC=0x00F32100;
    while(len--)
    {
        //Get the next byte in the stream.
        data=*bufptr++;

        //Push this byte's bits through a software
        //implementation of a hardware shift & xor.
        for(bit_count=0;bit_count<=7;bit_count++)
        {
            //Shift the CRC accumulator
            newCRC>>=1;

```

```

//The new MSB of the CRC accumulator comes
//from the LSB of the current data byte.
if(data&0x01)
    newCRC|=0x00800000;

//If the low bit of the current CRC accumulator was set
//before the shift, then we need to XOR the accumulator
//with the polynomial (center 16 bits of 0x00840800)
if(newCRC&0x00000080)
    newCRC^=0x00840800;
//Shift the data byte to put the next bit of the stream
//into position 0.
data>>=1;
}
}

//All the data has been done. Do 16 more bits of 0 data.
for(bit_count=0;bit_count<=15;bit_count++)
{
//Shift the CRC accumulator
newCRC>>=1;

//If the low bit of the current CRC accumulator was set
//before the shift we need to XOR the accumulator with
//0x00840800.
if(newCRC&0x00000080)
    newCRC^=0x00840800;
}
//Return the center 16 bits, making this CRC match the one's
//complement that is sent in the packet.
return((~newCRC)>>8);
}

```

### Algorithm 2B: "C" Improved Bit Shift Implementation

This is a simplified algorithm that implements the CRC.

```

unsigned short get_crc(unsigned char count,unsigned char *ptr)
{
    unsigned short
        crc; //Calculated CRC
    unsigned char
        i; //Loop count, bits in byte
    unsigned char
        data; //Current byte being shifted

    crc = 0xFFFF; // Preset to all 1's, prevent loss of leading zeros

    while(count--)
    {
        data = *ptr++;
        i = 8;
        do
        {
            if((crc ^ data) & 0x01)
            {
                crc >>= 1; crc ^= 0x8408;
            }
            else

```



```

        crc >>= 1;
        data >>= 1;
    } while(--i != 0);
}
return (~crc);
}

```

### Algorithm 3: "PIC Assembly" Bit Shift Implementation

This routine was graciously donated by one of our customers.

```

;=====
; Crystalfontz CFA633 PIC CRC Calculation Example
;
; This example calculates the CRC for the hard coded example provided in the
documentation.
;
; It uses "This is a test. " as input and calculates the proper CRC of 0x93FA.
;=====
#include "p16f877.inc"
;=====
; CRC16 equates and storage
;-----

accuml      equ      40h          ; BYTE - CRC result register high byte
accumh      equ      41h          ; BYTE - CRC result register high low byte
datareg     equ      42h          ; BYTE - data register for shift
j           equ      43h          ; BYTE - bit counter for CRC 16 routine
Zero        equ      44h          ; BYTE - storage for string memory read
index       equ      45h          ; BYTE - index for string memory read
savchr      equ      46h          ; BYTE - temp storage for CRC routine
;
seedlo      equ      021h         ;initial seed for CRC reg lo byte
seedhi      equ      0F3h         ;initial seed for CRC reg hi byte
;
polyL       equ      008h         ;polynomial low byte
polyH       equ      084h         ;polynomial high byte
;=====
;   CRC Test Program
;-----

                org      0          ; reset vector = 0000H
;
                clrf     PCLATH     ; ensure upper bits of PC are cleared
                clrf     STATUS     ; ensure page bits are cleared
                goto     main       ; jump to start of program
;
; ISR Vector
;
                org      4          ; start of ISR
                goto     $          ; jump to ISR when coded
;
                org      20         ; start of main program
main
                movlw   seedhi      ; setup intial CRC seed value.
                movwf   accumh      ; This must be done prior to
                movlw   seedlo      ; sending string to CRC routine.
                movwf   accuml      ;
                clrf    index       ; clear string read variables

```

```

;
main1
    movlw    HIGH InputStr    ; point to LCD test string
    movwf   PCLATH          ; latch into PCL
    movfw   index           ; get index
    call    InputStr        ; get character
    movwf   Zero            ; setup for terminator test
    movf    Zero,f          ; see if terminator
    btfsc   STATUS,Z        ; skip if not terminator
    goto    main2           ; else terminator reached, jump out of loop
    call    CRC16           ; calculate new crc
    call    SENDUART        ; send data to LCD
    incf   index,f          ; bump index
    goto    main1           ; loop

;
main2
    movlw   00h             ; shift accumulator 16 more bits.
    call    CRC16           ; This must be done after sending
    movlw   00h             ; string to CRC routine.
    call    CRC16           ;

;
    comf   accumh,f         ; invert result
    comf   accumul,f        ;

;
    movfw  accumul          ; get CRC low byte
    call   SENDUART         ; send to LCD
    movfw  accumh           ; get CRC hi byte
    call   SENDUART         ; send to LCD

;
stop    goto    stop        ; word result of 0x93FA is in accumh/accuml
;=====
; calculate CRC of input byte
;-----
CRC16
    movwf   savchr          ; save the input character
    movwf   datareg         ; load data register
    movlw   8               ; setup number of bits to test
    movwf   j               ; save to incrementor

_loop
    clrc                                ; clear carry for CRC register shift
    rrf    datareg,f                   ; perform shift of data into CRC register
    rrf    accumh,f                     ;
    rrf    accumul,f                     ;
    btfss  STATUS,C                     ; skip jump if if carry
    goto   _notset                       ; otherwise goto next bit
    movlw  polyL                          ; XOR poly mask with CRC register
    xorwf  accumul,F                       ;
    movlw  polyH                          ;
    xorwf  accumh,F                       ;

_notset
    decfsz j,F                            ; decrement bit counter
    goto   _loop                          ; loop if not complete
    movfw  savchr                          ; restore the input character
    return ; return to calling routine

;=====
; USER SUPPLIED Serial port transmit routine
;-----
SENDUART
    return ; put serial xmit routine here

```

```

;=====
; test string storage
;-----
                org            0100h
;
InputStr
                addwf          PCL,f
                dt             7h,10h,"This is a test. ",0
;
;=====
                end

```

#### Algorithm 4: “Visual Basic” Table Implementation

Visual BASIC has its own challenges as a language (such as initializing static arrays), and it is also challenging to use Visual BASIC to work with “binary” (arbitrary length character data possibly containing nulls—such as the “data” portion of the CFA633 packet) data. This routine was adapted from the C table implementation. The complete project can be found in our forums.

```

'Written by Crystalfontz America, Inc. 2004 http://www.crystalfontz.com
'Free code, not copyright copy left or anything else.
'Some visual basic concepts taken from:
'http://www.planet-source code.com/vb/scripts/ShowCode.asp?txtCodeId=21434&lngWid=1
'most of the algorithm is from functions in 633_WinTest:
'http://www.crystalfontz.com/products/633/633_WinTest.zip
'Full zip of the project is available in our forum:
'https://www.crystalfontz.com/forum/showthread.php?postid=9921#post9921

```

```

Private Type WORD
  Lo As Byte
  Hi As Byte
End Type

```

```

Private Type PACKET_STRUCT
  command As Byte
  data_length As Byte
  data(22) As Byte
  crc As WORD
End Type

```

```

Dim crcLookupTable(256) As WORD

```

```

Private Sub MSComm_OnComm()
'Leave this here

```

```

End Sub

```

```

'My understanding of visual basic is very limited--however it appears
that there is no way to initialize an array of structures.

```

```

Sub Initialize_CRC_Lookup_Table()
  crcLookupTable(0).Lo = &H0
  crcLookupTable(0).Hi = &H0
  .
  .
  .

```

```

'For purposes of brevity in this Datasheet, I have removed 251 entries of this
table, the 'full source is available in our forum:

```

```

'https://www.crystalfontz.com/forum/showthread.php?postid=9921#post9921

```

```

  .
  .
  .
  crcLookupTable(255).Lo = &H78
  crcLookupTable(255).Hi = &HF

```

```

End Sub

```

```

'This function returns the CRC of the array at data for length positions

```

```

Private Function Get_Crc(ByRef data() As Byte, ByVal length As Integer) As WORD

```

```

Dim Index As Integer
Dim Table_Index As Integer
Dim newCrc As WORD newCrc.Lo = &HFF
newCrc.Hi = &HFF
For Index = 0 To length - 1
    'exclusive-or the input byte with the low-order byte of the CRC register
    'to get an index into crcLookupTable
    Table_Index = newCrc.Lo Xor data(Index)
    'shift the CRC register eight bits to
    the right newCrc.Lo = newCrc.Hi
    newCrc.Hi = 0
    ' exclusive-or the CRC register with the contents of Table at Table_Index
    newCrc.Lo = newCrc.Lo Xor crcLookupTable(Table_Index).Lo
    newCrc.Hi = newCrc.Hi Xor crcLookupTable(Table_Index).Hi
Next Index
'Invert & return newCrc
Get_Crc.Lo = newCrc.Lo Xor &HFF
Get_Crc.Hi = newCrc.Hi Xor &HFF
End Function

Private Sub Send_Packet(ByRef packet As PACKET_STRUCT)
    Dim Index As Integer
    'Need to put the whole packet into a linear array
    'since you can't do type overrides. VB, gotta love it.
    Dim linear_array(26) As Byte
    linear_array(0) = packet.command
    linear_array(1) = packet.data_length
    For Index = 0 To packet.data_length - 1
        linear_array(Index + 2) = packet.data(Index)
    Next Index
    packet.crc = Get_Crc(linear_array, packet.data_length + 2)
    'Might as well move the CRC into the linear array too
    linear_array(packet.data_length + 2) = packet.crc.Lo
    linear_array(packet.data_length + 3) = packet.crc.Hi
    'Now a simple loop can dump it out the port.
    For Index = 0 To packet.data_length + 3
        MSComm.Output = Chr(linear_array(Index))
    Next Index
End Sub

```

### Algorithm 5: “Java” Table Implementation

This code was posted in our [forum](#) by user “norm” as a working example of a Java CRC calculation.

```

public class CRC16 extends Object
{
    public static void main(String[] args)

    {
        byte[] data = new byte[2];
        // hw - fw
        data[0] = 0x01;
        data[1] = 0x00;
        System.out.println("hw -fw req");
        System.out.println(Integer.toHexString(compute(data)));

        // ping
        data[0] = 0x00;
        data[1] = 0x00;
        System.out.println("ping");
        System.out.println(Integer.toHexString(compute(data)));

        // reboot
        data[0] = 0x05;
        data[1] = 0x00;
    }
}

```

```
System.out.println("reboot");
System.out.println(Integer.toHexString(compute(data)));
// clear lcd
data[0] = 0x06;
data[1] = 0x00;
System.out.println("clear lcd");
System.out.println(Integer.toHexString(compute(data)));

// set line 1
data = new byte[18];
data[0] = 0x07;
data[1] = 0x10;
String text = "Test Test Test ";
byte[] textByte = text.getBytes();
for (int i=0; i < text.length(); i++) data[i+2] = textByte[i];
System.out.println("text 1");
System.out.println(Integer.toHexString(compute(data)));
}
private CRC16()
{
}
private static final int[] crcLookupTable =
{
0x00000,0x01189,0x02312,0x0329B,0x04624,0x057AD,0x06536,0x074BF,
0x08C48,0x09DC1,0x0AF5A,0x0BED3,0x0CA6C,0x0DBE5,0x0E97E,0x0F8F7,
0x01081,0x00108,0x03393,0x0221A,0x056A5,0x0472C,0x075B7,0x0643E,
0x09CC9,0x08D40,0x0BFDB,0x0AE52,0x0DAED,0x0CB64,0x0F9FF,0x0E876,
0x02102,0x0308B,0x00210,0x01399,0x06726,0x076AF,0x04434,0x055BD,
0x0AD4A,0x0BCC3,0x08E58,0x09FD1,0x0EB6E,0x0FAE7,0x0C87C,0x0D9F5,
0x03183,0x0200A,0x01291,0x00318,0x077A7,0x0662E,0x054B5,0x0453C,
0x0BDCB,0x0AC42,0x09ED9,0x08F50,0x0FBEEF,0x0EA66,0x0D8FD,0x0C974,
0x04204,0x0538D,0x06116,0x0709F,0x00420,0x015A9,0x02732,0x036BB,
0x0CE4C,0x0DFC5,0x0ED5E,0x0FCD7,0x08868,0x099E1,0x0AB7A,0x0BAF3,
0x05285,0x0430C,0x07197,0x0601E,0x014A1,0x00528,0x037B3,0x0263A,
0x0DECD,0x0CF44,0x0FDDF,0x0EC56,0x098E9,0x08960,0x0BBFB,0x0AA72,
0x06306,0x0728F,0x04014,0x0519D,0x02522,0x034AB,0x00630,0x017B9,
0x0EF4E,0x0FEC7,0x0CC5C,0x0DDD5,0x0A96A,0x0B8E3,0x08A78,0x09BF1,
0x07387,0x0620E,0x05095,0x0411C,0x035A3,0x0242A,0x016B1,0x00738,
0x0FFCF,0x0EE46,0x0DCDD,0x0CD54,0x0B9EB,0x0A862,0x09AF9,0x08B70,
0x08408,0x09581,0x0A71A,0x0B693,0x0C22C,0x0D3A5,0x0E13E,0x0F0B7,
0x00840,0x019C9,0x02B52,0x03ADB,0x04E64,0x05FED,0x06D76,0x07CFF,
0x09489,0x08500,0x0B79B,0x0A612,0x0D2AD,0x0C324,0x0F1BF,0x0E036,
0x018C1,0x00948,0x03BD3,0x02A5A,0x05EE5,0x04F6C,0x07DF7,0x06C7E,
0x0A50A,0x0B483,0x08618,0x09791,0x0E32E,0x0F2A7,0x0C03C,0x0D1B5,
0x02942,0x038CB,0x00A50,0x01BD9,0x06F66,0x07EEF,0x04C74,0x05DFD,
0x0B58B,0x0A402,0x09699,0x08710,0x0F3AF,0x0E226,0x0D0BD,0x0C134,
0x039C3,0x0284A,0x01AD1,0x00B58,0x07FE7,0x06E6E,0x05CF5,0x04D7C,
0x0C60C,0x0D785,0x0E51E,0x0F497,0x08028,0x091A1,0x0A33A,0x0B2B3,
0x04A44,0x05BCD,0x06956,0x078DF,0x00C60,0x01DE9,0x02F72,0x03EFB,
0x0D68D,0x0C704,0x0F59F,0x0E416,0x090A9,0x08120,0x0B3BB,0x0A232,
0x05AC5,0x04B4C,0x079D7,0x0685E,0x01CE1,0x00D68,0x03FF3,0x02E7A,
0x0E70E,0x0F687,0x0C41C,0x0D595,0x0A12A,0x0B0A3,0x08238,0x093B1,
0x06B46,0x07ACF,0x04854,0x059DD,0x02D62,0x03CEB,0x00E70,0x01FF9,
0x0F78F,0x0E606,0x0D49D,0x0C514,0x0B1AB,0x0A022,0x092B9,0x08330,
0x07BC7,0x06A4E,0x058D5,0x0495C,0x03DE3,0x02C6A,0x01EF1,0x00F78
};
public static int compute(byte[] data)
{
int newCrc = 0xFFFF;
for (int i = 0; i < data.length; i++)
{
int lookup = crcLookupTable[(newCrc ^ data[i]) & 0xFF];
newCrc = (newCrc >> 8) ^ lookup;
}
return(~newCrc);
}
}
```

**Algorithm 6: “Perl” Table Implementation**

This code was translated from the C version by one of our customers.

```
#!/usr/bin/perl

use strict;

my @CRC_LOOKUP =
( 0x0000,0x01189,0x02312,0x0329B,0x04624,0x057AD,0x06536,0x074BF,
  0x08C48,0x09DC1,0x0AF5A,0x0BED3,0x0CA6C,0x0DBE5,0x0E97E,0x0F8F7,
  0x01081,0x00108,0x03393,0x0221A,0x056A5,0x0472C,0x075B7,0x0643E,
  0x09CC9,0x08D40,0x0BFDB,0x0AE52,0x0DAED,0x0CB64,0x0F9FF,0x0E876,
  0x02102,0x0308B,0x00210,0x01399,0x06726,0x076AF,0x04434,0x055BD,
  0x0AD4A,0x0BCC3,0x08E58,0x09FD1,0x0EB6E,0x0FAE7,0x0C87C,0x0D9F5,
  0x03183,0x0200A,0x01291,0x00318,0x077A7,0x0662E,0x054B5,0x0453C,
  0x0BDCB,0x0AC42,0x09ED9,0x08F50,0x0FBEF,0x0EA66,0x0D8FD,0x0C974,
  0x04204,0x0538D,0x06116,0x0709F,0x00420,0x015A9,0x02732,0x036BB,
  0x0CE4C,0x0DFC5,0x0ED5E,0x0FCD7,0x08868,0x099E1,0x0AB7A,0x0BAF3,
  0x05285,0x0430C,0x07197,0x0601E,0x014A1,0x00528,0x037B3,0x0263A,
  0x0DECD,0x0CF44,0x0FDDF,0x0EC56,0x098E9,0x08960,0x0BBFB,0x0AA72,
  0x06306,0x0728F,0x04014,0x0519D,0x02522,0x034AB,0x00630,0x017B9,
  0x0EF4E,0x0FEC7,0x0CC5C,0x0DDD5,0x0A96A,0x0B8E3,0x08A78,0x09BF1,
  0x07387,0x0620E,0x05095,0x0411C,0x035A3,0x0242A,0x016B1,0x00738,
  0x0FFCF,0x0EE46,0x0DCDD,0x0CD54,0x0B9EB,0x0A862,0x09AF9,0x08B70,
  0x08408,0x09581,0x0A71A,0x0B693,0x0C22C,0x0D3A5,0x0E13E,0x0F0B7,
  0x00840,0x019C9,0x02B52,0x03ADB,0x04E64,0x05FED,0x06D76,0x07CFF,
  0x09489,0x08500,0x0B79B,0x0A612,0x0D2AD,0x0C324,0x0F1BF,0x0E036,
  0x018C1,0x00948,0x03BD3,0x02A5A,0x05EE5,0x04F6C,0x07DF7,0x06C7E,
  0x0A50A,0x0B483,0x08618,0x09791,0x0E32E,0x0F2A7,0x0C03C,0x0D1B5,
  0x02942,0x038CB,0x00A50,0x01BD9,0x06F66,0x07EEF,0x04C74,0x05DFD,
  0x0B58B,0x0A402,0x09699,0x08710,0x0F3AF,0x0E226,0x0D0BD,0x0C134,
  0x039C3,0x0284A,0x01AD1,0x00B58,0x07FE7,0x06E6E,0x05CF5,0x04D7C,
  0x0C60C,0x0D785,0x0E51E,0x0F497,0x08028,0x091A1,0x0A33A,0x0B2B3,
  0x04A44,0x05BCD,0x06956,0x078DF,0x00C60,0x01DE9,0x02F72,0x03EFB,
  0x0D68D,0x0C704,0x0F59F,0x0E416,0x090A9,0x08120,0x0B3BB,0x0A232,
  0x05AC5,0x04B4C,0x079D7,0x0685E,0x01CE1,0x00D68,0x03FF3,0x02E7A,
  0x0E70E,0x0F687,0x0C41C,0x0D595,0x0A12A,0x0B0A3,0x08238,0x093B1,
  0x06B46,0x07ACF,0x04854,0x059DD,0x02D62,0x03CEB,0x00E70,0x01FF9,
  0x0F78F,0x0E606,0x0D49D,0x0C514,0x0B1AB,0x0A022,0x092B9,0x08330,
  0x07BC7,0x06A4E,0x058D5,0x0495C,0x03DE3,0x02C6A,0x01EF1,0x00F78);

# our test packet read from an enter key press over the serial line:
# type = 80          (key press)
# data_length = 1    (1 byte of data)
# data = 5

my $type = '80';
my $length = '01';
my $data = '05';

my $packet = chr(hex $type) .chr(hex $length) .chr(hex $data);

my $valid_crc = '5584' ;

print "A CRC of Packet ($packet) Should Equal($valid_crc)\n";

my $crc = 0xFFFF ;

printf("%x\n", $crc);

foreach my $char (split //, $packet)
{
  # newCrc = (newCrc >> 8) ^ crcLookupTable[(newCrc ^ *bufptr++) & 0xff];
  # & is bitwise AND
  # ^ is bitwise XOR
  # >> bitwise shift right
```

```

$crc = ($crc >> 8) ^ $CRC_LOOKUP[($crc ^ ord($char) ) & 0xFF] ;
# print out the running crc at each byte
printf("%x\n", $crc);
}

# get the complement
$crc = ~$crc ;
$crc = ($crc & 0xFFFF) ;

# print out the crc in hex
printf("%x\n", $crc);

```

#### Algorithm 7: For PIC18F8722 or PIC18F2685

This code was written by customer Virgil Stamps of ATOM Instrument Corporation for our CFA635 module.

```

; CRC Algorithm for CrystalFontz CFA635 display (DB535)
; This code written for PIC18F8722 or PIC18F2685
;
; Your main focus here should be the ComputeCRC2 and
; CRC16_ routines
;
;=====
ComputeCRC2:
    movlb        RAM8
    movwf       dsplyLPCNT        ;w has the byte count
nxt1_dsply:
    movf        POSTINC1         ;w
    call        CRC16
    decfsz     dsplyLPCNT
    goto       nxt1_dsply
    movlw      .0                ;shift accumulator 16 more bits
    call       CRC16
    movlw      .0
    call       CRC16
    comf       dsplyCRC,F        ;invert result
    comf       dsplyCRC+1,F
    return
;=====
CRC16 movwf:
    dsplyCRCDData        ;w has the byte crc
    movlw      .8
    movwf     dsplyCRCCount
_loop:
    bcf       STATUS,C        ; clear carry for CRC register shift
    rrcf     dsplyCRCDData,f  ; perform shift of data into CRC
                                ; register

    rrcf     dsplyCRC,F
    rrcf     dsplyCRC+1,F

    btfss   STATUS,C        ; skip jump if carry
    goto    _notset        ; otherwise goto next bit
    movlw  0x84            ; XOR poly mask with CRC register
    xorwf  dsplyCRC,F

_notset:
    decfsz  dsplyCRCCount,F  ; decrement bit counter
    bra    _loop            ; loop if not complete
    return
;=====
; example to clear screen
dsplyFSR1_TEMP    equ    0x83A ;        ; 16-bit save for FSR1 for display
                                ; message handler
dsplyCRC          equ    0x83C ;        ; 16-bit CRC (H/L)
dsplyLPCNT        equ    0x83E ;        ; 8-bit save for display message
                                ; length - CRC
dsplyCRCDData     equ    0x83F ;        ; 8-bit CRC data for display use
dsplyCRCCount     equ    0x840 ;        ; 8-bit CRC count for display use

```

```
SendCount      equ    0x841      ; 8-bit byte count for sending to
                                   ; display
RXBUF2         equ    0x8C0      ; 32-byte receive buffer for
                                   ; Display
TXBUF2         equ    0x8E0      ; 32-byte transmit buffer for
                                   ; Display
```

```
-----
ClearScreen:
```

```
    movlb      RAM8
    movlw     .0
    movwf     SendCount
    movlw     0xF3
    movwf     dsplyCRC      ; seed hi for CRC calculation
    movlw     0x21
    movwf     dsplyCRC+1    ; seen lo for CRC calculation
    call      ClaimFSR1
    movlw     0x06
    movwf     TXBUF2
    LFSR      FSR1,TXBUF2
    movf      SendCount,w
    movwf     TXBUF2+1      ; message data length
    call      BMD1
    goto      SendMsg
```

```
=====
; send message via interrupt routine. The code is made complex due
; to the limited FSR registers and extended memory space used
;
; example of sending a string to column 0, row 0
```

```
-----
SignOnL1:
```

```
    call      ClaimFSR1
    lfsr      FSR1,TXBUF2+4    ; set data string position
    SHOW      C0R0,BusName    ; move string to TXBUF2
    movlw     .2
    addwf     SendCount
    movff     SendCount,TXBUF2+1 ; insert message data length

    call      BuildMsgDSPLY
    call      SendMsg
    return
```

```
=====
; BuildMsgDSPLY used to send a string to LCD
```

```
-----
BuildMsgDSPLY:
```

```
    movlw     0xF3
    movwf     dsplyCRC      ; seed hi for CRC calculation
    movlw     0x21
    movwf     dsplyCRC+1    ; seed lo for CRC calculation
    LFSR      FSR1,TXBUF2    ; point at transmit buffer
    movlw     0x1F
    movwf     TXBUF2        ; insert command byte from us to
                                   ; CFA635

    BMD1      movlw .2
    ddwf     SendCount,w    ; + overhead
    call      ComputeCRC2    ; compute CRC of transmit message
    movf     dsplyCRC+1,w
    movwf     POSTINC1      ; append CRC byte
    movf     dsplyCRC,w
    movwf     POSTINC1      ; append CRC byte
    return
```



```
SendMsg:
    call        ReleaseFSR1
    LFSR        FSR0, TXBUF2
    movff      FSR0H, irptFSR0
    movff      FSR0L, irptFSR0+1
                                   ; save interrupt use of FSR0
    movff      SendCount, TXBUSY2
    bsf        PIE2, TX2IE
                                   ; set transmit interrupt enable
                                   ; (bit 4)

    return

;=====
; macro to move string to transmit buffer
SHOW macro    src, stringname
    call      src
    MOVLFB   upper stringname, TBLPTRU
    MOVLFB   high stringname, TBLPTRH
    MOVLFB   low stringname, TBLPTRL
    call     MOVE_STR
endm

;=====
MOVE_STR:
    tblrd    *+
    movf    TABLAT, w
    bz      mslb
    movwf   POSTINC1
    incf    SendCount
    goto    MOVE_STR

mslb:
    return

;=====
```