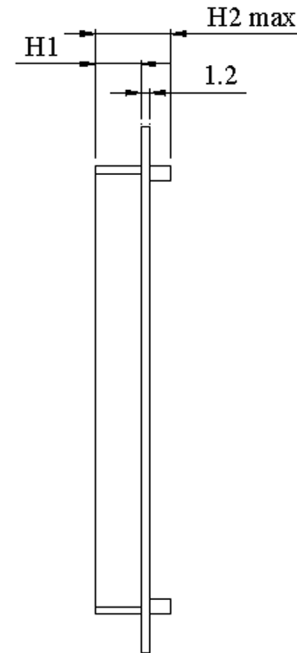
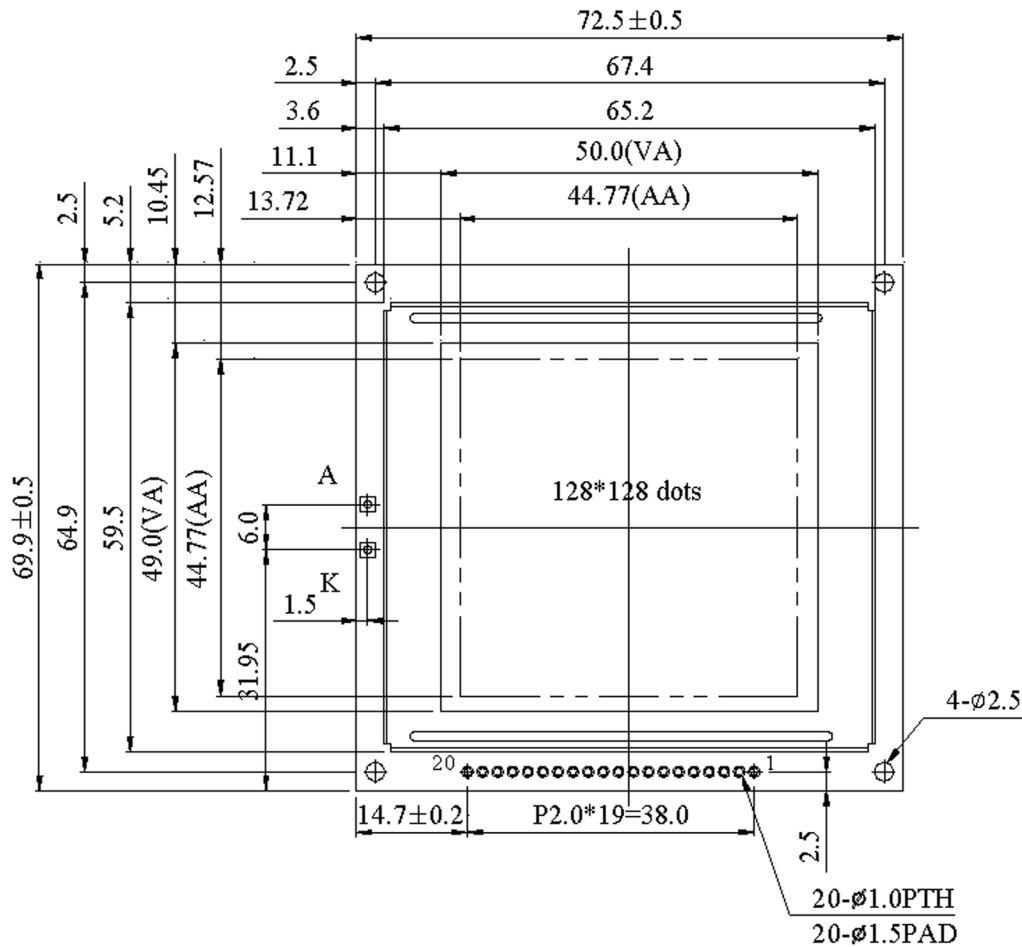


CFAG128128B Series Millimeter Dimensions



PIN NO.	SYMBOL
1	DB0
2	DB1
3	DB2
4	DB3
5	DB4
6	DB5
7	DB6
8	DB7
9	RS
10	R/W
11	E
12	\overline{CS}
13	\overline{RES}
14	Vo
15	Vdd
16	Vss
17	Vee
18	N.C
19	LED(+)
20	LED(-)

Module Height

	Array	Edge
	Y/G	White
H1	9.7	6.0
H2	14.0	10.0

The non-specified tolerance of dimension is ± 0.3 mm.

