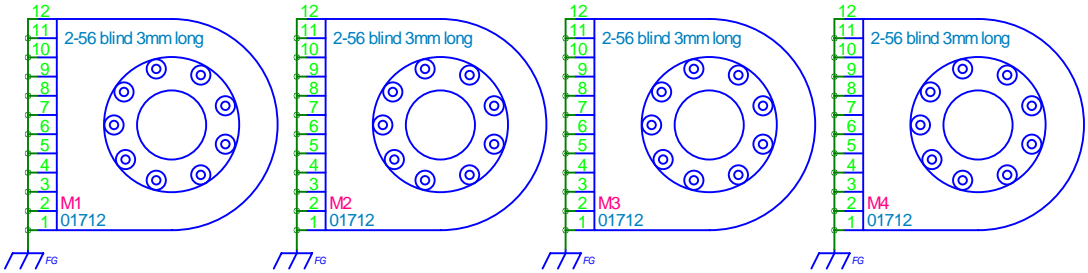
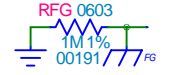


REV	ENGINEER	DATE	REMARKS
0.0	BAC	2015-08-31	Initial Creation
0.1	BAC	2015-08-24	Mnt Standoffs, +1 BL Jumper, HPM pol
0.1	BAC	2022-02-07	Added note for CFA012864Q1 pinouts
-	-	-	-
-	-	-	-

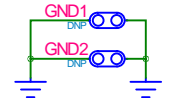
SMT blind threaded mounting standoffs



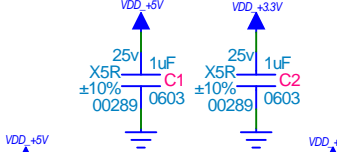
ESD border discharge



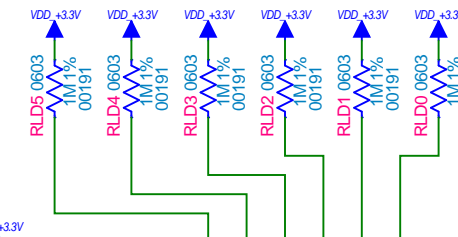
Scope Grounds



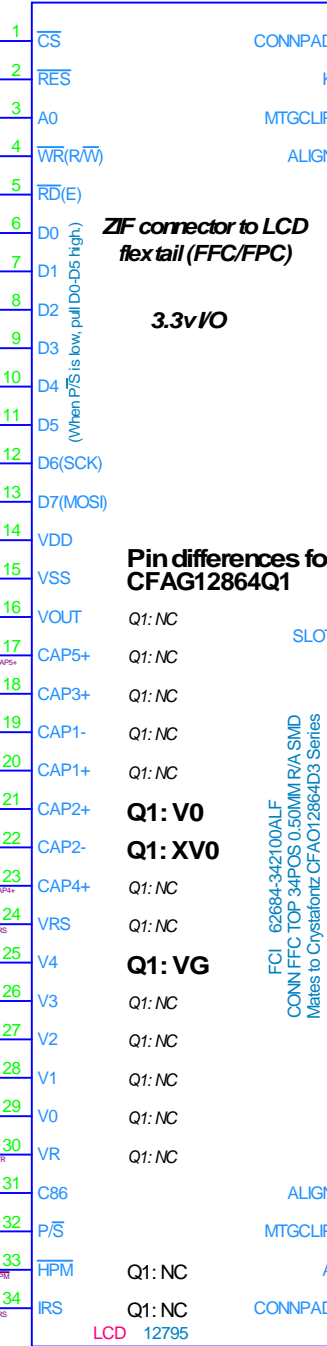
5v ↔ 3.3v level translators (auto-direction)



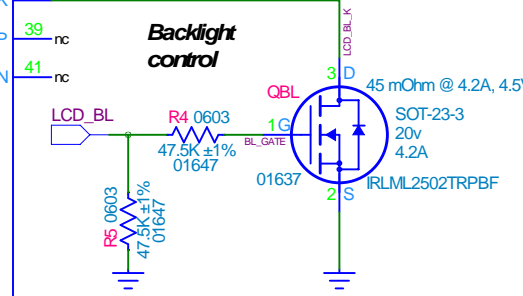
Pull ups for unused SPI mode data lines.



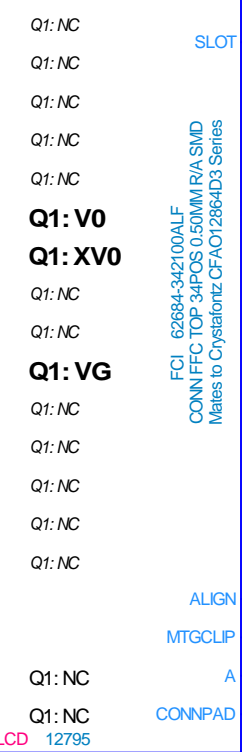
Original pins for CFA012864D3



ZIF connector to LCD flex tail (FFC/FPC)



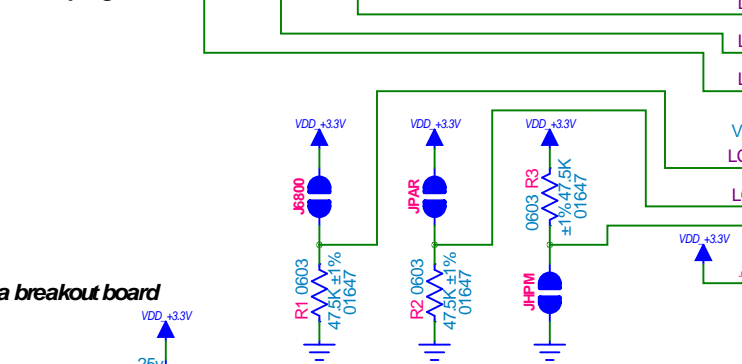
Pin differences for CFA012864Q1



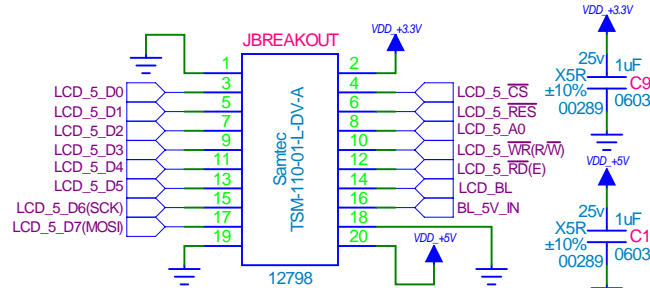
Arduino configuration jumpers to support:

- Hardware SPI [HS]
- 8-bit parallel (contiguous) [P8]
- 8-bit parallel (2x 4-bit nibbles) [P4]
- Software SPI (AdaFruit example) [AF]

LCD intermediate voltage level decoupling

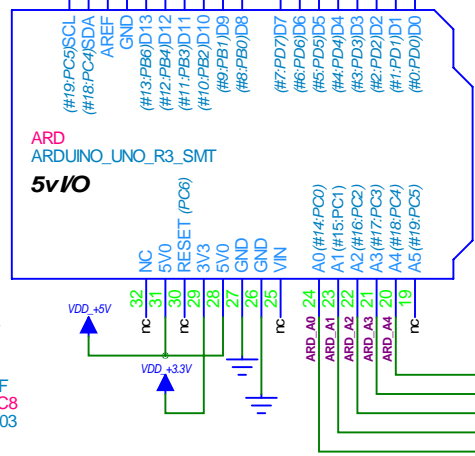


0.1", 20 position (2x10) header for use as a breakout board



When not used as an Arduino shield, this board's I/O is not restricted to 5v. Refer to TXB0108PWR data sheet.

Single-row 0.1" headers positioned to allow use as an Arduino 128x64 LCD graphic display shield



Crystalfontz America, Inc.

CFA-10072: CFA012864D3 Breakout / Demo Shield

Page 1 / 1 : Schematic

FILE NAME: CFA_10072_Schematic_0v1.pdf

REVISION: 0.1