



OLED DISPLAY MODULE DATASHEET

Datasheet Release Date 2021-08-06
for
CFAL64128B0-0096WC-E1

Crystalfontz America, Inc.

12412 East Saltese Avenue
Spokane Valley, WA 99216-0357
Phone: 888-206-9720
Fax: 509-892-1203
Email: support@crystalfontz.com
URL: <https://www.crystalfontz.com>

CONTENTS

1. General Information	3
2. Module Description	4
3. Features	4
4. Mechanical Data	4
5. Mechanical Drawing	5
6. Schematic	6
7. Headers.....	7
7.1. J1 – 33-pin ZIF connector	7
7.2. J2 0.1” (2.54mm) header	7
8. Jumpers.....	8
8.1. JP1 – Tie T_SDA and T_SDO together	8
8.2. JP2 – Controls BS1 (OLED interface).....	8
8.3. JP3 – VCC Enable.....	8
8.4. JP4 – Controls BS3 (Touch interface).....	8
9. Absolute Maximum Ratings	9
10. Optical Characteristics	9
11. Electrical Characteristics.....	9
12. Touch Implementation Notes	10
13. Interface Data Diagrams	10
13.1. 4-Wire SPI	10
13.2. I2C	10
14. Power ON and OFF Sequences	11
14.1. Power ON	11
14.2. Power OFF	12
14.3. Low Power Mode.....	12
15. OLED Module Precautions	13
15.1. Modules	13
15.2. Handling Precautions	13
15.3. Storage Precautions	14
15.4. Designing Precautions	14
15.5. Disposing Precautions.....	14
15.6. Other Precautions.....	14



1. General Information

Datasheet Revision History

Datasheet Release: 2021-08-06
Datasheet for the CFAL64128B0-0096WC-E1 OLED graphic display module.

Product Change Notifications

You can check for or subscribe to [Part Change Notices](#) for this display module on our website.

Variations

Slight variations between lots are normal (e.g., contrast, color, or intensity).

Volatility

This display module has volatile memory.

Disclaimer

Certain applications using Crystalfontz America, Inc. products may involve potential risks of death, personal injury, or severe property or environmental damage ("Critical Applications"). CRYSTALFONTZ AMERICA, INC. PRODUCTS ARE NOT DESIGNED, INTENDED, AUTHORIZED, OR WARRANTED TO BE SUITABLE FOR USE IN LIFE-SUPPORT APPLICATIONS, DEVICES OR SYSTEMS OR OTHER CRITICAL APPLICATIONS. Inclusion of Crystalfontz America, Inc. products in such applications is understood to be fully at the risk of the customer. In order to minimize risks associated with customer applications, adequate design and operating safeguards should be provided by the customer to minimize inherent or procedural hazard. Please contact us if you have any questions concerning potential risk applications.

Crystalfontz America, Inc. assumes no liability for applications assistance, customer product design, software performance, or infringements of patents or services described herein. Nor does Crystalfontz America, Inc. warrant or represent that any license, either express or implied, is granted under any patent right, copyright, or other intellectual property right of Crystalfontz America, Inc. covering or relating to any combination, machine, or process in which our products or services might be or are used.

All specifications in datasheets on our website are, to the best of our knowledge, accurate but not guaranteed. Corrections to specifications are made as any inaccuracies are discovered.

Company and product names mentioned in this publication are trademarks or registered trademarks of their respective owners.

Copyright © 2021 by Crystalfontz America, Inc., 12412 East Saltese Avenue, Spokane Valley, WA 99216 U.S.A.



2. Module Description

This is a white monochrome OLED display module that supports 4-key touch plus up and down swipe detection mounted on a PCB breakout board. This display module includes in-cell capacitive touch detection. This display has a built in Solomon Systech SSD7317 controller. Please see the [Solomon Systech SSD7317 LCD Controller Datasheet](#) for further reference.

Additional resources including 3D models, the most up-to-date datasheet, and sample code can be found on the product page for this part: <https://crystalfontz.com/product/CFAL64128B0-0096WC-E1>

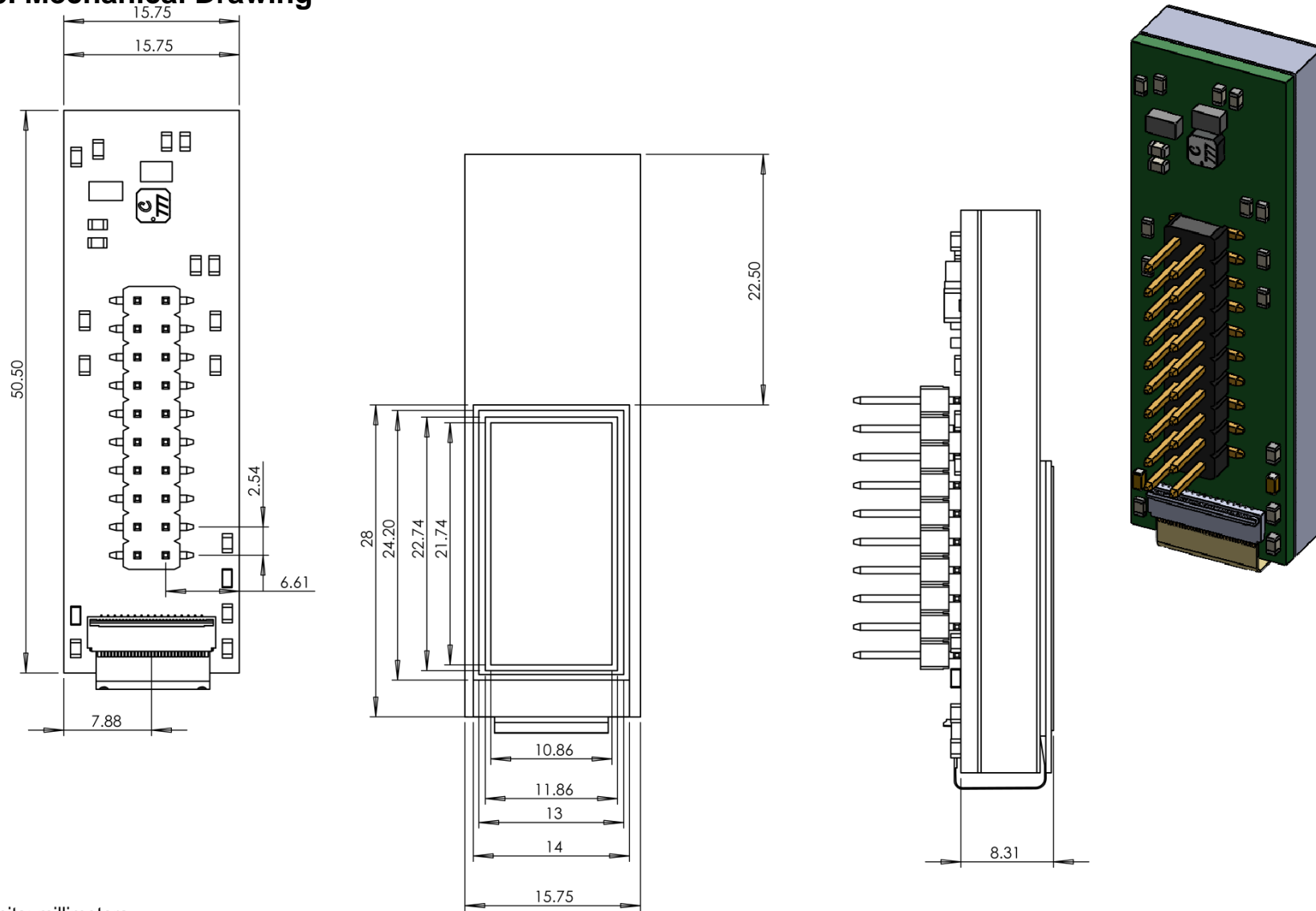
3. Features

- 64*128 Dot Matrix
- Mounted on PCB with 20-pin tenth inch header
- 5mm spacer included between PCB and display to protect from noise
- Built-in Controller: SSD7317 (or equivalent)
- +3V Power Supply (Panel voltage boosted on board)
- 1/32 Duty
- 4 key touch, plus 2 out-cell
- Interface: SPI, I2C

4. Mechanical Data

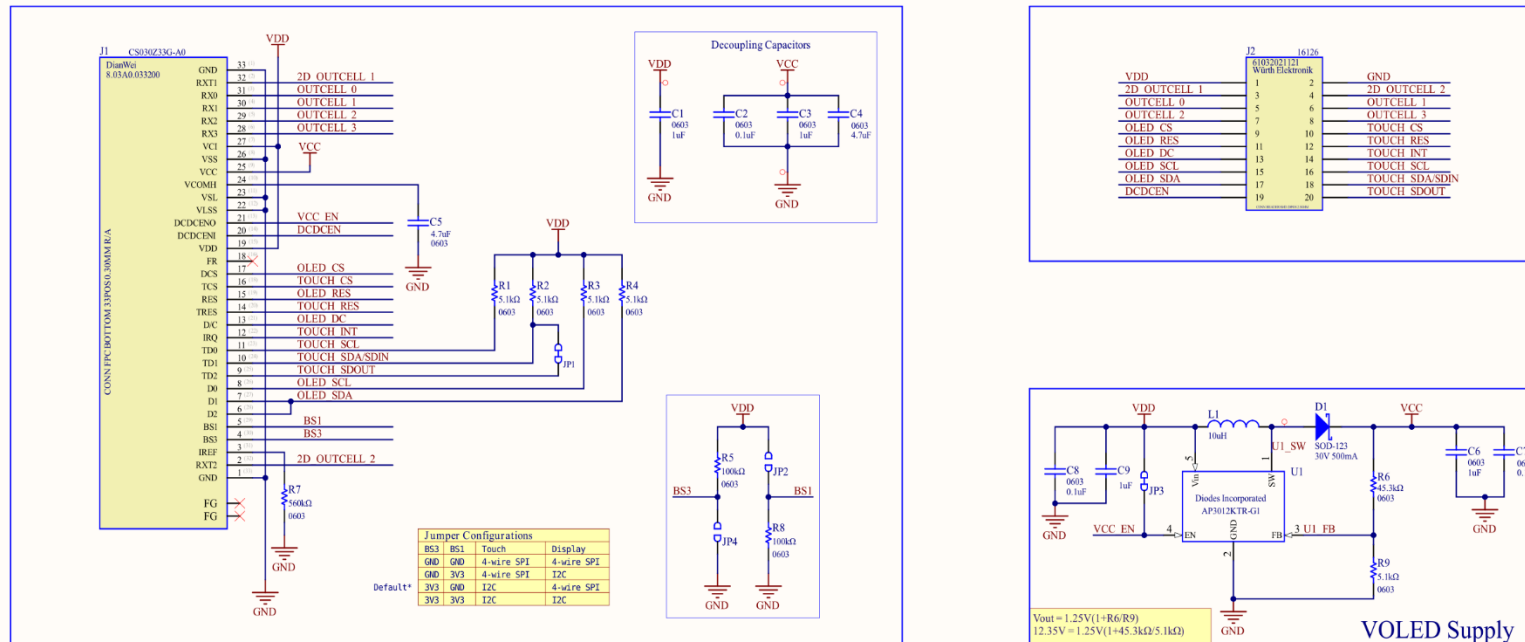
Item	Specification (mm)	Specification (inch, reference)
Display Size	14.00 (W) x 47.10 (H) x 8.3 (D)	0.551 (W) x 1.854 (H) x 0.33 (D)
Active Area	10.86 (W) x 21.74 (H)	0.428 (W) x 0.856 (H)
Pixel Size	0.15 (W) x 0.15(H)	0.006 (W) x 0.006 (H)
Pixel Pitch	0.17 (W) x 0.17 (H)	0.007 (W) x 0.007 (H)
Weight (Typical)	9.8 grams	0.35 ounces

5. Mechanical Drawing



Units: millimeters
Tolerance: ± 0.3

6. Schematic





7. Headers

7.1. J1 – 33-pin ZIF connector

This connector comes pre-connected to the ZIF tail of the OLED display.

7.2. J2 0.1” (2.54mm) header

T_SDO – Touch Data Out In SPI mode this pin is serial data out. In I2C mode tie this pin, T_SDO, together with T_SDA to serve as SDA by closing JP1 (jumper ships closed). Internal 5.1kΩ pull-up resistors are included.	DCDCENI Enable input pin for external DCDC circuit. Tie low if not used.
T_SDA – Touch Data In SPI mode this pin is serial data in. In I2C mode tie this pin, T_SDA, together with T_SDO to serve as SDA by closing JP1 (jumper ships closed). Internal 5.1kΩ pull-up resistors are included.	D_SDA – Display Data In SPI mode this pin is serial data in. In I2C mode this pin is SDA. Internal 5.1kΩ pull-up resistors are included.
T_SCK – Clock This pin serves as the serial clock for touch communication.	D_SCL – Display Clock This pin serves as the serial clock for display communication.
T_INT – Touch Interrupt This pin signals a touch has occurred.	D_DC – Display Data/Command In SPI mode when this pin is high, the data at SDI will be interpreted as data; when the pin is low, data will be interpreted as a command. In I2C mode this pin acts as SA0 for slave address selection.
T_RES - Touch power reset When the pin is low, the chip is initialized.	D_RES – Display power reset When the pin is low, the chip is initialized.
T_CS Touch chip select The chip is enabled for MCU communication when TCS# is pulled low	D_CS – Display chip select The chip is enabled for MCU communication when DCS# is pulled low
OUT3 Connect to external touch key for out-cell touch	OUT2 Connect to external touch key for out-cell touch
OUT1 Connect to external touch key for out-cell touch	OUT0 Connect to external touch key for out-cell touch
2OUT1 2D Out-cell 1	2OUT1 2D Out-cell 2
GND Ground pin. Connect to an external source.	VDD Power supply for Logic. Connect to external source.



8. Jumpers

8.1. JP1 – Tie T_SDA and T_SDO together

This jumper ships closed by default. Open this jumper to use the display touch with SPI communication.

8.2. JP2 – Controls BS1 (OLED interface)

When JP2 is open (as shipped), BS1 is pulled low for 4-wire SPI interface mode for the OLED display.

When JP2 is closed, BS1 is pulled high for I2C interface mode for the OLED display.

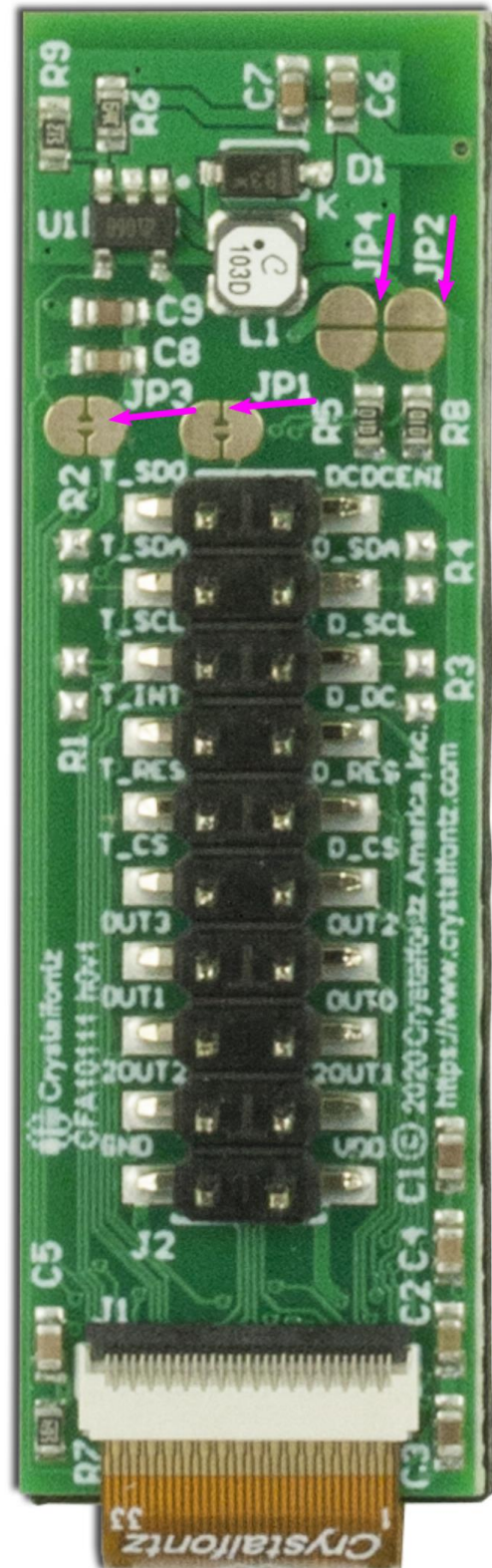
8.3. JP3 – VCC Enable

JP3 ships closed and enables the VOLED Supply voltage booster for the panel voltage (boosts to ~12v).

8.4. JP4 – Controls BS3 (Touch interface)

When JP4 is open (as shipped), BS3 is pulled high for I2C interface mode for the touch communication.

When JP4 is closed, BS3 is pulled low and the touch communication is set up for SPI.





9. Absolute Maximum Ratings

Parameter	Symbol	Min	Max	Unit
Supply Voltage for Logic	V _{DD}	-0.3	4.0	V
Operating Temperature	T _{OP}	-40	+70	°C
Storage Temperature	T _{STG}	-40	+85	°C
Lifetime (250 cd/m ²)		5,000		hours

Note: These are stress ratings only. Extended exposure to the absolute maximum ratings listed above may affect device reliability or cause permanent damage. Functional operation should be restricted to the limits in the Electrical Characteristics table below.

10. Optical Characteristics

Item	Symbol	Min	Typ	Max	Unit
Brightness	L _{br}	200	250	-	Cd/m ²
C.I.E. 1931 (White)	(x) (y)	0.23 0.26	0.27 0.30	0.31 0.34	
Dark Room Contrast	CR		>10,000:1		
Viewing Angle			Free		

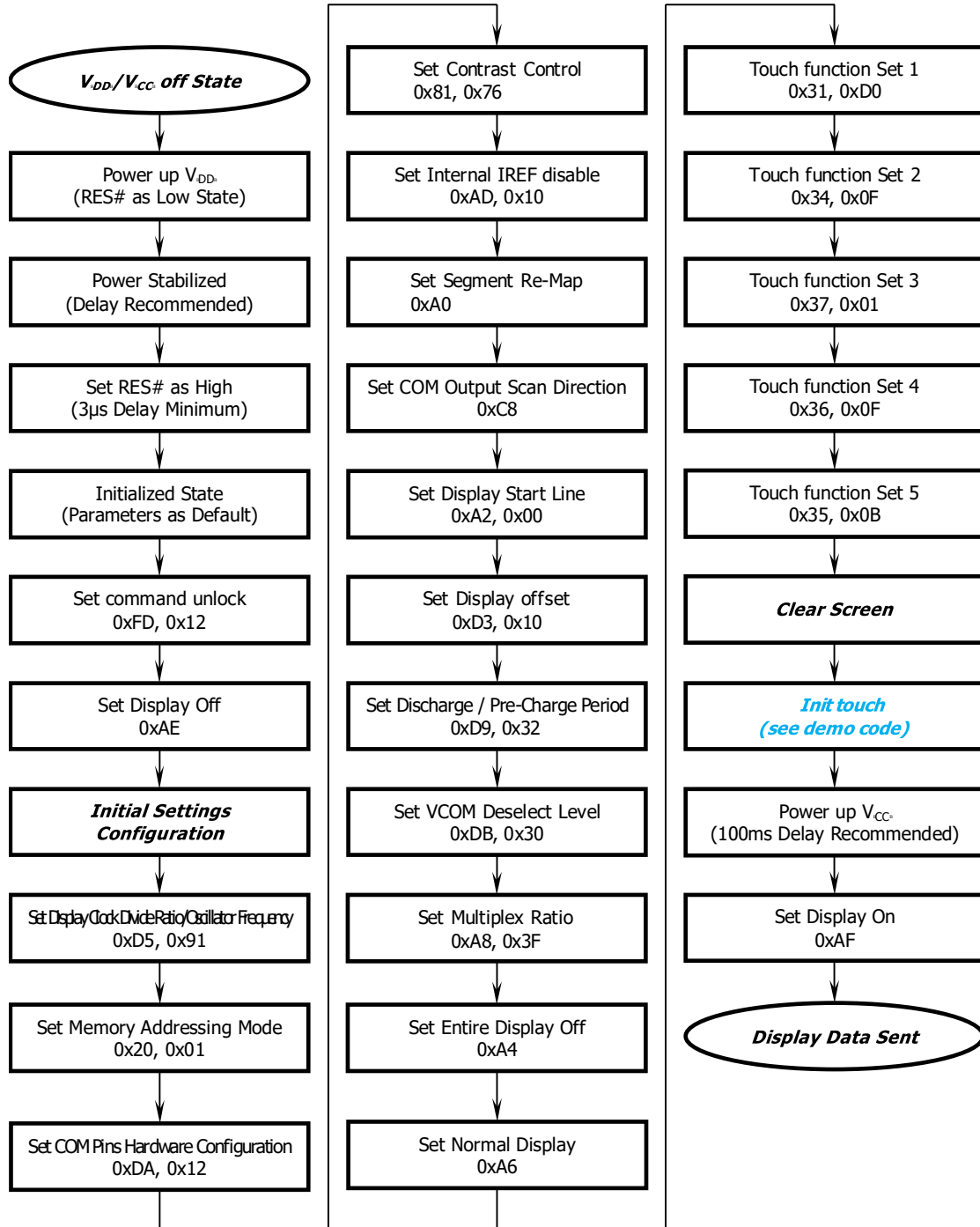
11. Electrical Characteristics

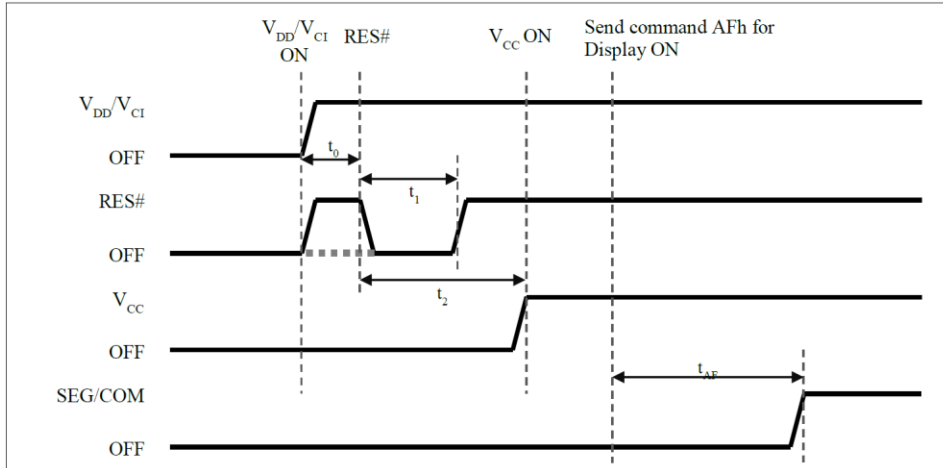
Item	Symbol	Condition	Min	Typ	Max	Unit
Supply Voltage	V _{DD}		1.65	3.3	3.5	V
High-level Input	V _{IH}		0.8*V _{DD}	-	V _{DD}	V
Low-level Input	V _{IL}		0	-	0.2*V _{DD}	V
High-level Output	V _{OH}	I _{OUT} =100μA, 3.3MHz	0.8*V _{DD}	-	V _{DD}	V
Low-level Output	V _{OL}	I _{OUT} =100μA, 3.3MHz	0	-	0.2*V _{DD}	V
Operating Current	I _{op}	30% display on	-	10.6	13.7	mA
		50% display on	-	16.1	20.5	mA
		100% display on	-	29.3	37.0	mA
Sleep Mode Current	I _{sleep}		-	36	65	μA



14. Power ON and OFF Sequences

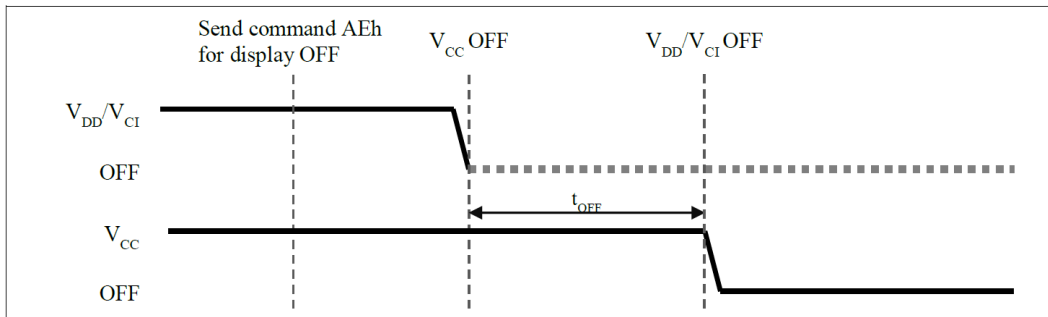
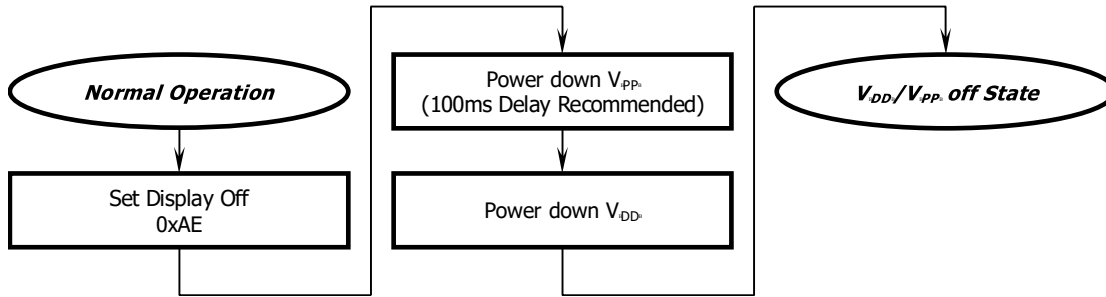
14.1. Power ON





Note: Register values are reset after t_1 .

14.2. Power OFF

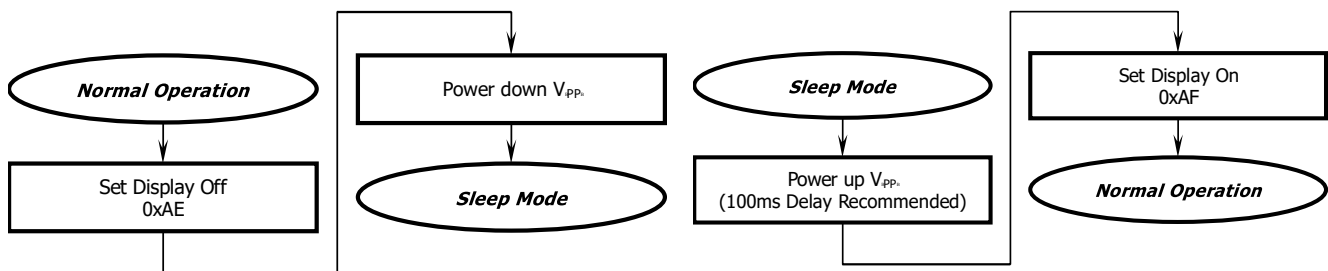


Note: V_{CC} should be floated when OFF.

14.3. Low Power Mode

Enter

Exit





15. OLED Module Precautions

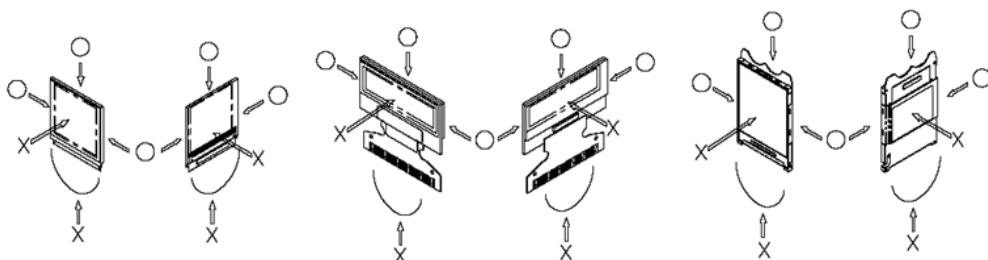
The precautions below should be followed when using OLED modules to help ensure personal safety, module performance, and compliance of environmental regulations.

15.1. Modules

- Avoid applying excessive shocks to module or making any alterations or modifications to it.
- Do not make extra holes on the printed circuit board, modify its shape or change the components of OLED display module.
- Do not disassemble the OLED display module.
- Do not operate the OLED display module above the absolute maximum rating.
- Do not drop, bend or twist the OLED display module.
- Soldering: only to the I/O terminals.
- Store in an anti-static electricity container and clean environment.
- It is common to use the "screen saver" to extend the lifetime of the OLED display module.
 - Do not use the fixed information for long periods of time in real application.
 - Do not use fixed information in OLED panel for long periods of time to extend "screen burn" effect time.
- Crystalfontz has the right to change the passive components. (Resistors, capacitors and other passive components will have different appearance and color caused by the different supplier.)
- Crystalfontz has the right to change the PCB Rev. (In order to satisfy the supplying stability, management optimization and the best product performance, etc., under the premise of not affecting the electrical characteristics and external dimensions, Crystalfontz has the right to modify the version.)

15.2. Handling Precautions

- Since the display panel is made of glass, do not apply mechanical impacts such as dropping from a high position.
- If the display panel is accidentally broken, and the internal organic substance leaks out, be careful not to inhale or touch the organic substance.
- If pressure is applied to the display surface or its neighborhood of the OLED display module, the cell structure may be damaged, so be careful not to apply pressure to these sections.
- The polarizer covering the surface of the OLED display module is soft and can be easily scratched. Please be careful when handling the OLED display module.
- Clean the surface of the polarizer covering the OLED display module if it becomes soiled using following adhesion tape.
 - Scotch Mending Tape No. 810 or an equivalent
 - Never breathe the soiled surface or wipe the surface using a cloth containing solvent such as ethyl alcohol, since the surface of the polarizer will become cloudy.
 - The following liquids/solvents may spoil the polarizer:
 - Water
 - Ketone
 - Aromatic Solvents
- Hold the OLED display module very carefully when placing the OLED display module into the system housing.
- Do not apply excessive stress or pressure to the OLED display module. And, do not over bend the film with electrode pattern layouts. These stresses will influence the display performance. Also, be sure to secure the sufficient rigidity for the outer cases.





- Do not apply stress to the LSI chips and the surrounding molded sections.
- Do not disassemble or modify the OLED display module.
- Do not apply input signals while the logic power is off.
- Pay sufficient attention to the working environments when handing the OLED display module to prevent occurrence of element breakage accidents by static electricity.
 - Be sure to make human body grounding when handling OLED display modules.
 - Be sure to ground tools to use for assembly such as soldering irons.
 - To suppress generation of static electricity, avoid carrying out assembly work under dry environments.
 - Protective film is being applied to the surface of the display panel of the OLED display module. Be careful since static electricity may be generated when exfoliating the protective film.
- Protection film is being applied to the surface of the display panel and removes the protection film before assembling it. At this time, if the OLED display module has been stored for a long period of time, residue adhesive material of the protection film may remain on the surface of the display panel after the film has been removed. In such a case, remove the residue material by the method discussed above.
- If electric current is applied when the OLED display module is being dewed or when it is placed under high humidity environments, the electrodes may become corroded. If this happens proceed with caution when handling the OLED display module.

15.3. Storage Precautions

- When storing the OLED display modules put them in static electricity preventive bags to avoid exposure to direct sunlight and fluorescent lamps. Also avoid high temperature and high humidity environments and low temperatures (less than 0°C) environments. (We recommend you store these modules in the packaged state when they were shipped from Crystalfontz). Be careful not to let water drops adhere to the packages or bags, and do not let dew gather on them.
- If electric current is applied when water drops are adhering to the surface of the OLED display module the OLED display module may have become dewed. If a dewed OLED display module is placed under high humidity environments it may cause the electrodes to become corroded. If this happens proceed with caution when handling the OLED display module.

15.4. Designing Precautions

- The absolute maximum ratings are the ratings that cannot be exceeded for OLED display module. If these values are exceeded, panel damage may happen.
- To prevent occurrence of malfunctioning by noise pay attention to satisfy the V_{IL} and V_{IH} specifications and, at the same time, to make the signal line cable as short as possible.
- We recommend that you install excess current preventive unit (fuses, etc.) to the power circuit (V_{DD}). (Recommend value: 0.5A)
- Pay sufficient attention to avoid occurrence of mutual noise interference with the neighboring devices.
- As for EMI, take necessary measures on the equipment side.
- When fastening the OLED display module, fasten the external plastic housing section.
- If the power supply to the OLED display module is forcibly shut down, by such errors as taking out the main battery while the OLED display panel is in operation, we cannot guarantee the quality of this OLED display module.
 - Connection (contact) to any other potential than the above may lead to rupture of the IC.

15.5. Disposing Precautions

- Request the qualified companies to handle the industrial wastes when disposing of the OLED display modules. Or, when burning them, be sure to observe the environmental and hygienic laws and regulations.

15.6. Other Precautions

- When an OLED display module is operated for a long period of time with a fixed pattern, the fixed pattern may remain as an after image or a slight contrast deviation may occur.
 - If the operation is interrupted and left unused for a while, normal state can be restored.



- This will not cause a problem in the reliability of the module.
- To protect the OLED display module from performance drops by static electricity rapture, etc., do not touch the following sections whenever possible while handling the OLED display modules.
 - Pins and electrodes
 - Pattern layouts such as the TCP & FPC
- With this OLED display module, the OLED driver is being exposed. Generally speaking, semiconductor elements change their characteristics when light is radiated according to the principle of the solar battery. Consequently, if this OLED driver is exposed to light, malfunctioning may occur.
 - Design the product and installation method so that the OLED driver may be shielded from light in actual usage.
 - Design the product and installation method so that the OLED driver may be shielded from light during the inspection processes.
- Although this OLED display module stores the operation state data by the commands and the indication data, when excessive external noise, etc. enters into the module, the internal status may be changed. Therefore, it is necessary to take appropriate measures to suppress noise generation or to protect from influences of noise on the system design.
- We recommend that you construct its software to make periodical refreshment of the operation statuses (re-setting of the commands and re-transference of the display data), to cope with catastrophic noise.
- Resistors, capacitors, and other passive components will have different appearance and color caused by the different supplier.
- Crystalfontz has the right to upgrade and modify the product function.
- The limitation of FPC bending:

