



## ePAPER DISPLAY MODULE DATASHEET



Datasheet Release 2017-08-14  
for  
**CFAP128296C0-0290**

### **Crystalfontz America, Inc.**

12412 East Saltese Avenue  
Spokane Valley, WA 99216-0357  
Phone: 888-206-9720  
Fax: 509-892-1203  
Email: [support@crystalfontz.com](mailto:support@crystalfontz.com)  
URL: [www.crystalfontz.com](http://www.crystalfontz.com)

## CONTENTS

1. General Information.....	3
2. Description Overview .....	4
3. Features .....	4
4. Mechanical Specifications .....	4
5. Input/Output Terminals.....	5
5.1. Pin Out List.....	5
6. Command Table .....	7
7. Electrical Characteristics .....	24
7.1. Absolute Maximum Rating .....	24
7.2. Panel DC Characteristics .....	24
8. Panel AC Characteristics .....	25
8.1. Oscillator Frequency .....	25
8.2. MCU Interface .....	25
8.2.1. MCU Interface Selection .....	25
8.2.2. MCU Serial Interface (4-Wire SPI) .....	25
8.2.3. MCU Serial Interface (3-Wire SPI) .....	26
9. Timing Characteristics of Series Interface .....	27
10. Power Consumption .....	28
11. Reference Circuit.....	28
12. Typical Operating Sequence.....	31
12.1. BWR Mode & LUT from Register (Normal Operation Flow) .....	31
12.2. BWR Mode & LUT from OTP .....	32
13. Reference Program Code .....	33
13.1. BWR Mode & LUT from Register .....	33
13.2. BWR Mode & LUT from OTP .....	34
14. Optical Characteristics .....	35
14.1. Specifications .....	35
14.2. Definition of Contrast Ratio .....	35
14.3. Reflection Ratio .....	36
14.4. Bi-Stability .....	36
15. Mechanical Drawing.....	37
16. ePaper Breakout Board Schematic.....	38

## 1. General Information

### Datasheet Revision History

Datasheet Release Date: **2017-08-14**  
Datasheet for the CFAP128296C0-0290 ePaper display module.

### Product Change Notifications

You can check for or subscribe to [Part Change Notices](#) for this display module on our website.

### Variations

Slight variations between lots are normal (e.g., contrast, color, or intensity).

### Volatility

This display module has volatile memory.

### Disclaimer

Certain applications using Crystalfontz America, Inc. products may involve potential risks of death, personal injury, or severe property or environmental damage ("Critical Applications"). CRYSTALFONTZ AMERICA, INC. PRODUCTS ARE NOT DESIGNED, INTENDED, AUTHORIZED, OR WARRANTED TO BE SUITABLE FOR USE IN LIFE-SUPPORT APPLICATIONS, DEVICES OR SYSTEMS OR OTHER CRITICAL APPLICATIONS. Inclusion of Crystalfontz America, Inc. products in such applications is understood to be fully at the risk of the customer. In order to minimize risks associated with customer applications, adequate design and operating safeguards should be provided by the customer to minimize inherent or procedural hazard. Please contact us if you have any questions concerning potential risk applications.

Crystalfontz America, Inc. assumes no liability for applications assistance, customer product design, software performance, or infringements of patents or services described herein. Nor does Crystalfontz America, Inc. warrant or represent that any license, either express or implied, is granted under any patent right, copyright, or other intellectual property right of Crystalfontz America, Inc. covering or relating to any combination, machine, or process in which our products or services might be or are used.

All specifications in datasheets on our website are, to the best of our knowledge, accurate but not guaranteed. Corrections to specifications are made as any inaccuracies are discovered.

Company and product names mentioned in this publication are trademarks or registered trademarks of their respective owners.

Copyright © 2017 by Crystalfontz America, Inc., 12412 East Saltese Avenue, Spokane Valley, WA 99216 U.S.A.

## 2. Description Overview

This ePaper display is a TFT active matrix electrophoretic display with interface and a reference system design. The 2.9" active area contains 296×128 pixels and has 1-bit white/black full display capabilities. An integrated circuit contains gate buffer, source buffer, interface, timing control logic, oscillator, DC-DC, SRAM, LUT, VCOM, and border are supplied with each panel.

## 3. Features

- High contrast
- High reflectance
- Ultra-wide viewing angle
- Ultra-low power consumption
- Pure reflective mode
- Bi-Stable Display
- Commercial temperature range
- Landscape, portrait mode
- Antiglare hard-coated front-surface
- Low current deep sleep mode
- On-chip display RAM
- Waveform stored in On-chip OTP
- Serial peripheral interface available
- On-chip oscillator
- On-chip booster and regulator control for generating  $V_{COM}$ , Gate and source driving voltage
- I<sup>2</sup>C Signal Master Interface to read external temperature sensor
- Available in COG package IC thickness 280um

## 4. Mechanical Specifications

Parameter	Specifications	Unit	Remark
Screen Size	2.9	inch	
Display Resolution	296 × 128	pixel	dpi: 112
Active Area	66.9 × 29.06	mm	
Pixel Pitch	0.227 × 0.226	mm	
Pixel Configuration	Square		
Outline Dimension	79.0 (H) × 36.7 (W) × 1.18 (D)	mm	
Weight (Typical)	4±0.5	g	

## 5. Input/Output Terminals

### 5.1. Pin Out List

Pin #	Type	Single	Description	Remark
1	-	NC	No Connection and Do Not Connect with Other NC Pins	Keep Open
2	O	GDR	N-Channel MOSFET Gate Drive Control	-
3	O	RESE	Current Sense Input for the Control Loop	-
4	C	VGL	Negative Gate Driving Voltage	-
5	C	VGH	Positive Gate Driving Voltage	-
6	O	TSCL	I <sup>2</sup> C Interface to Digital Temperature Sensor Clock Pin	-
7	I/O	TSDA	I <sup>2</sup> C Interface to Digital Temperature Sensor Data Pin	-
8	I	BS1	Bus Selection Pin	Note 5-5
9	O	BUSY	Busy State Output Pin	Note 5-4
10	I	RES #	Reset	Note 5-3
11	I	D/C #	Data /Command Control Pin	Note 5-2
12	I	CS #	Chip Select Input Pin	Note 5-1
13	I/O	D0	Serial Clock Pin (SPI)	-
14	I/O	D1	Serial Data Pin (SPI)	-
15	I	VDDIO	Power for Interface Logic Pins	-
16	I	VCI	Power Supply Pin for the Chip	-
17	-	VSS	Ground	-
18	C	VDD	Core Logic Power Pin	-
19	C	VPP	Power Supply for OTP Programming	-
20	C	VSH	Positive Source Driving Voltage	-
21	C	PREVGH	Power Supply Pin for VGH and VSH	-
22	C	VSL	Negative Source Driving Voltage	-
23	C	PREVGL	Power Supply Pin for VCOM, VGL, and VSL	-
24	C	VCOM	VCOM Driving Voltage	-

Note (5-1): This pin (CS#) is the chip select input connecting to the MCU. The chip is enabled for MCU communication only when CS# is pulled Low.

Note (5-2): This pin (D/C#) is Data/Command control pin connecting to the MCU. When the pin is pulled HIGH, the data will be interpreted as data. When the pin is pulled Low, the data will be interpreted as command.

Note (5-3): This pin (RES#) is reset signal input. The Reset is active Low.

Note (5-4): This pin (BUSY) is Busy state output pin. When Busy is low, the operation of chip should not be interrupted and no commands should be issued to the module. The driver IC will put Busy pin low when the driver IC is working such as:

- Outputting Display Waveform; or
- Programming with OTP
- Communicating with Digital Temperature Sensor

Note (5-5): This pin (BS1) is for 3-line SPI or 4-line SPI selection. When it is "Low", 4-line SPI is selected. When it is "High", 3-line SPI (9 bits SPI) is selected. Please refer to below Table.

#### Bus Interface Selection

BS1	MPU Interface
L	4-lines serial peripheral interface (SPI)
H	3-lines serial peripheral interface (SPI) – 9 bits SPI

## 6. Command Table

W/R: 0: Write cycle 1: Read cycle C/D: 0: Command 1: Data D7~D0: -: Don't care #: Valid Data

#	Command	W/R	C/D	D7	D6	D5	D4	D3	D2	D1	D0	Registers	Default	
1	Panel Setting (PSR)	0	0	0	0	0	0	0	0	0	0		00h	
		0	1	#	#	#	#	#	#	#	#	#	RES[1:0],REG,KW/R,UD,SHL,SHD_N,RST_N	0Fh
2	Power Setting (PWR)	0	0	0	0	0	0	0	0	0	1		01h	
		0	1	-	-	-	-	-	-	-	#	#	VDS_EN,VDG_EN	03h
		0	1	-	-	-	-	-	-	#	#	#	VCOM_HV,VGHL_LV[1:0]	00h
		0	1	-	-	#	#	#	#	#	#	#	VDH[5:0]	26h
		0	1	-	-	#	#	#	#	#	#	#	VDL[5:0]	26h
		0	1	-	-	#	#	#	#	#	#	#	VDHR[5:0]	03h
3	Power OFF(POF)	0	0	0	0	0	0	0	0	1	0		02h	
4	Power OFF Sequence Setting (PFS)	0	0	0	0	0	0	0	0	1	1		03h	
		0	1	-	-	#	#	-	-	-	-	-	T_VDS_OF	00h
5	Power ON (PON)	0	0	0	0	0	0	0	1	0	0		04h	
6	Power ON Measure (PMES)	0	0	0	0	0	0	0	1	0	1		05h	
7	Booster Soft Start (BTST)	0	0	0	0	0	0	0	1	1	0		06h	
		0	1	#	#	#	#	#	#	#	#	#	BT_PHA[7:0]	17h
		0	1	#	#	#	#	#	#	#	#	#	BT_PHB[7:0]	17h
		0	1	-	-	#	#	#	#	#	#	#	BT_PHC[5:0]	17h
8	Deep Sleep	0	0	0	0	0	0	0	1	1	1		07h	
		0	1	1	0	1	0	0	1	0	1	1	Check code	A5h
9	Display Start Transmission 1(DTM1, white/black data) (x-byte command)	0	0	0	0	0	1	0	0	0	0	B/W Pixel Data (160x296)	10h	
		0	1	#	#	#	#	#	#	#	#	#	KPXL[1:8]	00h
		0	1	..	..	..	..	..	..	..	..	..	..	...
		0	1	#	#	#	#	#	#	#	#	#	KPXL[n-1:n]	00h
10	Data Stop	0	0	0	0	0	1	0	0	0	1		11h	
		1	1	#	-	-	-	-	-	-	-	-		00h
11	Display Refresh (DRF)	0	0	0	0	0	1	0	0	1	0		12h	
12	VCOM LUT (LUTC) (45-byte command, structure of bytes 2~7 repeated)	0	0	0	0	1	0	0	0	0	0		20h	
13	W2W LUT (LUTWW) (43-byte command, structure of bytes 2~7 repeated 7 times)	0	0	0	0	1	0	0	0	0	1		21h	

#	Command	W/R	C/D	D7	D6	D5	D4	D3	D2	D1	D0	Registers	Default
14	B2W LUT (LUTBW / LUTR) (43-byte command, structure of bytes 2~7 repeated 7 times)	0	0	0	0	1	0	0	0	1	0		22h
15	W2B LUT (LUTWB / LUTW) (43-byte command, structure of bytes 2~7 repeated 7 times)	0	0	0	0	1	0	0	0	1	1		23h
16	B2B LUT (LUTBB / LUTB) (43-byte command, structure of bytes 2~7 repeated 7 times)	0	0	0	0	1	0	0	1	0	0		24h
17	PLL Control (PLL)	0	0	0	0	1	1	0	0	0	0		30h
		0	1	-	-	#	#	#	#	#	#	M[2:0],N[2:0]	3Ch
18	Temperature Sensor Calibration (TSC)	0	0	0	1	0	0	0	0	0	0		40h
		1	1	#	#	#	#	#	#	#	#	LM[10:3]/TSR[7:0]	00h
		1	1	#	#	#	-	-	-	-	-	LM[2:0]/-	00h
19	Temperature Sensor Selection (TSE)	0	0	0	1	0	0	0	0	0	1		41h
		0	1	#	-	-	-	#	#	#	#	TSE,TO[3:0]	00h
20	Temperature Sensor Write (TSW)	0	0	0	1	0	0	0	0	1	0		42h
		0	1	#	#	#	#	#	#	#	#	WATTR[7:0]	00h
		0	1	#	#	#	#	#	#	#	#	WMSB[7:0]	00h
		0	1	#	#	#	#	#	#	#	#	WLSB[7:0]	00h
21	Temperature Sensor Read (TSR)	0	0	0	1	0	0	0	0	1	1		43h
		1	1	#	#	#	#	#	#	#	#	RMSB[7:0]	00h
		1	1	#	#	#	#	#	#	#	#	RLSB[7:0]	00h
22	Vcom and data interval setting (CDI)	0	0	0	1	0	1	0	0	0	0		50h
		0	1	#	#	#	#	#	#	#	#	VBD[1:0],DDX[1:0],CDI[3:0]	D7h
23	Lower Power Detection (LPD)	0	0	0	1	0	1	0	0	0	1		51h
		1	1	-	-	-	-	-	-	-	-	#	LPD
24	TCON Setting (TCON)	0	0	0	1	1	0	0	0	0	0		60h
		0	1	#	#	#	#	#	#	#	#	S2G[3:0],G2S[3:0]	22h



#	Command	W/R	C/D	D7	D6	D5	D4	D3	D2	D1	D0	Registers	Default	
25	Resolution setting (TRES)	0	0	0	1	1	0	0	0	0	1		61h	
		0	1	#	#	#	#	#	0	0	0	HRES[7:3]	00h	
		0	1	-	-	-	-	-	-	-	-	#	VRES[8:0]	00h
		0	1	#	#	#	#	#	#	#	#	#		00h
26	Get Status (FLG)	0	0	0	1	1	1	0	0	0	1		71h	
		1	1	-	#	#	#	#	#	#	#	PTL_FLAG,I <sup>2</sup> C_BUSY,DATA_FLAG,PON,POF,BUSY	02h	
27	Auto Measurement V <sub>COM</sub>	0	0	1	0	0	0	0	0	0	0		80h	
		0	1	-	-	#	#	#	#	#	#	AMVT[1:0], XON,AMVS,AMV,AMVE	10h	
28	Read V <sub>COM</sub> Value(VV)	0	0	1	0	0	0	0	0	0	1		81h	
		1	1	-	-	#	#	#	#	#	#	VV[5:0]	00h	
29	VCM_DC Setting (VDCS)	0	0	1	0	0	0	0	0	1	0		82h	
		0	1	-	-	#	#	#	#	#	#	VDCS[5:0]	00h	
30	Partial Window (PTL)	0	0	1	0	0	1	0	0	0	0		90h	
		0	1	#	#	#	#	#	0	0	0	HRST[7:3]	00h	
		0	1	#	#	#	#	#	1	1	1	HRED[7:3]	07h	
		0	1	-	-	-	-	-	-	-	-	#	VRST[8:0]	00h
		0	1	#	#	#	#	#	#	#	#	#		00h
		0	1	-	-	-	-	-	-	-	-	#	VRED[8:0]	00h
		0	1	#	#	#	#	#	#	#	#	#		00h
		0	1	-	-	-	-	-	-	-	-	#	PT_SCAN	01h
31	Partial In (PTIN)		0	0	1	0	0	1	0	0	0	1	91h	
32	Partial Out (PTOUT)	0	0	1	0	0	1	0	0	1	0		92h	
33	Program Mode (PGM)	0	0	1	0	1	0	0	0	0	0		A0h	
		0	1	1	0	1	0	0	1	0	1	Check Code = A5h	A5h	
34	Active Programming (APG)	0	0	1	0	1	0	0	0	0	1		A1h	

#	Command	W/R	C/D	D7	D6	D5	D4	D3	D2	D1	D0	Registers	Default	
35	Read OTP (ROTP)	0	0	1	0	1	0	0	0	1	0		A2h	
		1	1	-	-	-	-	-	-	-	-	-	Read Dummy	N/A
		1	1	#	#	#	#	#	#	#	#	#	Data of Address = 000h	N/A
		1	1	..	..	..	..	..	..	..	..	..	..	N/A
		1	1	#	#	#	#	#	#	#	#	#	Data of Address = n	N/A
36	Power Saving (PWS)	0	0	1	1	1	0	0	0	1	1		E3h	
		0	1	#	#	#	#	#	#	#	#	#	VCOM_W[3:0],SD_W[3:0]	00h

**(1) Panel Setting (PSR) (Register: R00H)**

Action	W/R	C/D	D7	D6	D5	D4	D3	D2	D1	D0
Setting the Panel	0	0	0	0	0	0	0	0	0	0
	0	1	RES1	RES0	REG_EN	BWR	UD	SHL	SHD_N	RST_N

RES [1:0]: Display Resolution setting (source x gate)

00b: 96x230 (Default)

01b: 96x252.

10b: 128x296

11b: 160x296

Active source channels: S0 ~ S95. Active gate channels: G0 ~ G229.

Active source channels: S0 ~ S95. Active gate channels: G0 ~ G251.

Active source channels: S0 ~ S127. Active gate channels: G0 ~ G295.

Active source channels: S0 ~ S159. Active gate channels: G0 ~ G295.

REG\_EN: LUT selection

0: LUT from OTP. (Default)

1: LUT from register.

BWR: Black / White / Red

0: Pixel with B/W/Red. (Default)

1: Pixel with BW.

UD: Gate Scan Direction

0: Scan down. First line to last line: Gn-1 → Gn-2 → Gn-3 → ... → G0

1: Scan up. (Default) First line to last line: G0 → G1 → G2 → ... → Gn-1

SHL: Source Shift direction

0: Shift left. First data to last data: Sn-1 → Sn-2 → Sn-3 → ... → S0

1: Shift right. (Default) First data to last data: S0 → S1 → S2 → ... → Sn-1

SHD\_N: Booster Switch

0: Booster OFF, register data are kept and SEG/BG/VCOM are kept 0V or floating.

1: Booster ON (Default)

When SHD\_N become LOW, charge pump will be turned OFF, register and SRAM data will keep until VDD OFF, and SD output and VCOM will remain previous condition. SHD\_N may have two conditions: 0v or floating.

RST\_N: Soft Reset

1: No effect (Default). Booster OFF, register data are set to their default values, and SEG/BG/VCOM: 0V

When RST\_N become LOW, the driver will be reset; all registers will be reset to their default value. All driver functions will be disabled. SD output and VCOM will base on previous condition. It may have two conditions: 0v or floating.

**(2) Power Setting (PWR) (R01H)**

Action	W/R	C/D	D7	D6	D5	D4	D3	D2	D1	D0
Selecting Internal/External Power	0	0	0	0	0	0	0	0	0	1
	0	1	-	-	-	-	-	-	VDS_EN	VDG_EN
	0	1	-	-	-	-	-	VCOM_HV	VGHL_LV[1:0]	
	0	1	-	-	VDH[5:0]					
	0	1	-	-	VDL[5:0]					
	0	1	-	-	VDHR[5:0]					

VDS\_EN: Source power selection

0: External source power from VDH/VDL pins

1: Internal DC/DC function for generating VDH/VDL

VDG\_EN: Gate power selection

0: External gate power from VGH/VGL pins

1: Internal DC/DC function for generating VGH/VGL

VCOM\_HV: VCOM Voltage Level

0: VCOMH=VDH+VCOMDC, VCOML=VHL+VCOMDC

1: VCOML=VGH, VCOML=VGL

VGHL\_LV [1:0]: VGH / VGL Voltage Level selection

VGHL_LV	VGHL voltage level
00(Default)	VGH=16V, VGL= -16V
01	VGH=15V, VGL= -15V
10	VGH=14V, VGL= -14V
11	VGH=13V, VGL= -13V

VDH [5:0]: Internal VDH power selection for B/W pixel. (Default value: 100110b)

VDH	VDH_V	VDH	VDH_V
000000	2.4V	...	...
000001	2.6V	100110	10.0V
000010	2.8V	100111	10.2V
000011	3.0V	101000	10.4V
000100	3.2V	101001	10.6V
000101	3.4V	101010	10.8V
000110	3.6V	101011	11.0V
000111	3.8V	(others)	11.0V

VDL [5:0]: Internal VDL power selection for B/W pixel. (Default value: 100110b)

VDL	VDL_V	VDL	VDL_V
000000	-2.4V	...	...
000001	-2.6V	100110	-10.0V
000010	-2.8V	100111	-10.2V
000011	-3.0V	101000	-10.4V
000100	-3.2V	101001	-10.6V
000101	-3.4V	101010	-10.8V
000110	-3.6V	101011	-11.0V
000111	-3.8V	(others)	-11.0V

VDHR [5:0]: Internal VDHR power selection for Red pixel. (Default value: 000011b)

VDHR	VDHR_V	VDHR	VDHR_V
000000	2.4V	...	...
000001	2.6V	100110	10.0V
000010	2.8V	100111	10.2V
000011	3.0V	101000	10.4V
000100	3.2V	101001	10.6V
000101	3.4V	101010	10.8V
000110	3.6V	101011	11.0V
000111	3.8V	(others)	11.0V

**(3) Power OFF (PWR) (R02H)**

Action	W/R	C/D	D7	D6	D5	D4	D3	D2	D1	D0
Turning OFF the power	0	0	0	0	0	0	0	0	1	0

After the Power Off command, the driver will power off following the Power Off Sequence. This command will turn off charge pump, T-con, source driver, gate driver,  $V_{COM}$ , and temperature sensor, but register data will be kept until VDD becomes OFF. Source Driver output and  $V_{COM}$  will remain as previous condition, which may have 2 conditions: 0V or floating.

**(4) Power off sequence setting (PFS) (R03H)**

Action	W/R	C/D	D7	D6	D5	D4	D3	D2	D1	D0
Setting Power OFF sequence	0	0	0	0	0	0	0	0	1	1
	0	1	-	-	T_VDS_OFF[1:0]		-	-	-	-

T\_VDS\_OFF [1:0]: Power OFF Sequence of VDH and VDL.

00b: 1frame (Default) 01b: 2 frames 10b: 3frames 11b:4 frame

**(5) Power ON (PON) (R04H)**

Action	W/R	C/D	D7	D6	D5	D4	D3	D2	D1	D0
Turning ON the Power	0	0	0	0	0	0	0	1	0	0

After the Power ON command, the driver will be powered ON following the Power ON Sequence. Refer to the Power ON Sequence section. In the sequence, temperature sensor will be activated for one-time sensing before enabling booster.

**(6) Power ON Measure (PMES) (R05H)**

Action	W/R	C/D	D7	D6	D5	D4	D3	D2	D1	D0
Power Measure	0	0	0	0	0	0	0	1	0	1

This command enables the internal bandgap, which will be cleared by the next POF.

**(7) Booster Soft Start (BTST) (R06H)**

Action	W/R	C/D	D7	D6	D5	D4	D3	D2	D1	D0
Starting Data Transmission	0	0	0	0	0	0	0	1	1	0
	0	1	BT_PHA 7	BT_PHA 6	BT_PHA 5	BT_PHA 4	BT_PHA 3	BT_PHA 2	BT_PHA 1	BT_PHA 0
	0	1	BT_PHB7	BT_PHB6	BT_PHB5	BT_PHB4	BT_PHB3	BT_PHB2	BT_PHB1	BT_PHB0
	0	1	-	-	BT_PHC5	BT_PHC4	BT_PHC3	BT_PHC2	BT_PHC1	BT_PHC0

BTPHA [7:6]: Soft start period of phase A.

00b: 10mS 01b: 20mS 10b: 30mS 11b: 40mS

BTPHA [5:3]: Driving strength of phase A.

000b: strength 001b: strength 2 010b: strength 3  
 011b: strength 4 100b: strength 5 101b: strength 6  
 110b: strength 7 111b: strength 8 (strongest)

BTPHA [2:0]: Minimum OFF time setting of GDR in phase B

000b: 0.27uS 001b: 0.34uS 010b: 0.40uS 011b: 0.54uS  
 100b: 0.80uS 101b: 1.54uS 110b: 3.34uS 111b: 6.58uS

BTPHB [7:6]: Soft start period of phase B.

00b: 10mS 01b: 20mS 10b: 30mS 11b: 40mS

- BTPHB [5:3]:** Driving strength of phase B  
 000b: strength 1      001b: strength 2      **010b: strength 3**  
 011b: strength 4      100b: strength 5      101b: strength 6  
 110b: strength 7      111b: strength 8 (strongest)
- BTPHB [2:0]:** Minimum OFF time setting of GDR in phase B  
 000b: 0.27uS    001b: 0.34uS    010b: 0.40uS    011b: 0.54uS  
 100b: 0.80uS    101b: 1.54uS    110b: 3.34uS    **111b: 6.58uS**
- BTPHC [5:3]:** Driving strength of phase C  
 000b: strength 1      001b: strength 2      **010b: strength 3**  
 011b: strength 4      100b: strength 5      101b: strength 6  
 110b: strength 7      111b: strength 8 (strongest)
- BTPHC [2:0]:** Minimum OFF time setting of GDR in phase C  
 000b: 0.27uS      001b: 0.34uS      010b: 0.40uS    011b: 0.54uS  
 100b: 0.80uS      101b: 1.54uS      110b: 3.34uS    **111b: 6.58uS**

(8) Deep Sleep (DSLPL) (R07H)

Action	W/R	C/D	D7	D6	D5	D4	D3	D2	D1	D0
Deep Sleep	0	0	0	0	0	0	0	1	1	1
	0	1	1	0	1	0	0	1	0	1

After this command is transmitted, the chip would enter the deep-sleep mode to save power.

The deep sleep mode would return to standby by hardware reset.

The only one parameter is a check code, the command would be executed if check code = 0xA5.

(9) Data Start Transmission 1 (DTM1) (R10H)

Action	W/R	C/D	D7	D6	D5	D4	D3	D2	D1	D0
Starting data transmission	0	0	0	0	0	1	0	0	0	0
	0	1	Pixel 1	Pixel 2	Pixel 3	Pixel 4	Pixel 5	Pixel 6	Pixel 7	Pixel 8
	0	1	..	..	..	..	..	..	..	..
	0	1	Pixel(n-7)	Pixel(n-6)	Pixel(n-5)	Pixel(n-4)	Pixel(n-3)	Pixel(n-2)	Pixel(n-1)	Pixel(n)

This command starts transmitting data and writes them into SRAM. To complete data transmission, command DSP (Data Transmission Stop) must be issued. Then the chip will start to send data/V<sub>COM</sub> for panel.

In B/W mode, this command writes "OLD" data to SRAM.

In B/W/Red mode, this command writes "B/W" data to SRAM.

In Program mode, this command writes "OTP" data to SRAM for programming.

(10) Data Stop (DSP) (R11H)

Action	W/R	C/D	D7	D6	D5	D4	D3	D2	D1	D0
Stopping Data Transmission	0	0	0	0	0	1	0	0	0	1
	1	1	data_flag	-	-	-	-	-	-	-

To stop data transmission, this command must be issued to check the data\_flag.

Data\_flag: Data flag of receiving user data.

0: Driver didn't receive all the data.

1: Driver has already received all the one-frame data (DTM1 and DTM2).

After "Data Start" (R10h) or "Data Stop" (R11h) commands and when data\_flag=1, the refreshing of panel starts and BUSY signal will become "0".

**(11) Display Refresh (DRF) (R12H)**

Action	W/R	C/D	D7	D6	D5	D4	D3	D2	D1	D0
Refreshing the display	0	0	0	0	0	1	0	0	1	0

While user sent this command, driver will refresh display (data/V<sub>COM</sub>) according to SRAM data and LUT. After Display Refresh command, BUSY signal will become "0" and the refreshing of panel starts.

**(12) VCOM LUT (LUTC) (R20H)**

This command builds Look-up Table for V<sub>COM</sub>

**(13) W2W LUT (LUTWW) (R21H)**

This command builds Look-up Table for White-to-White

**(14) B2W LUT (LUTBW/LUTR) (R22H)**

This command builds Look-up Table for Black-to-White

**(15) W2B LUT (LUTWB/LUTW) (R23H)**

This command builds Look-up Table for White - to- Black

**(16) B2B LUT (LUTBB / LUTB) (R24H)**

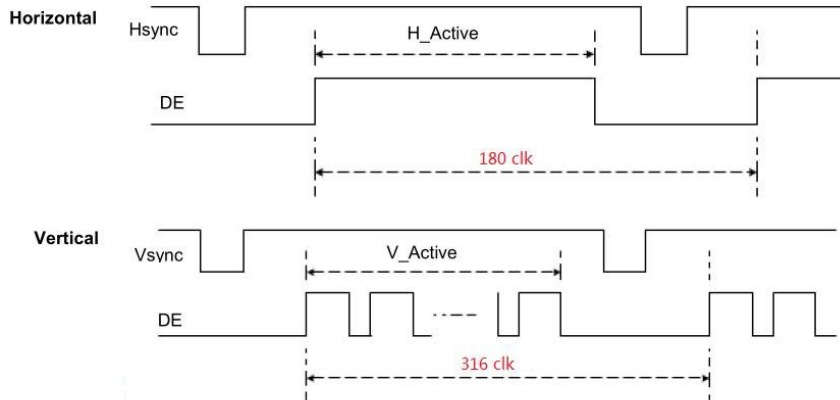
This command builds Look-up Table for Black - to- Black

**(17) PLL Control (PLL) (R30H)**

Action	W/R	C/D	D7	D6	D5	D4	D3	D2	D1	D0
Controlling PLL	0	0	0	0	1	1	0	0	0	0
	0	1	-	-	M[2:0]			N[2:0]		

The command controls the PLL clock frequency. The PLL structure must support the following frame rates:

M	N	Frame Rate	M	N	Frame Rate	M	N	Frame Rate	M	N	Frame Rate
1	1	29 Hz	3	1	86 Hz	5	1	150 Hz	7	1	200 Hz
	2	14 Hz		2	43 Hz		2	72 Hz		2	100 Hz
	3	10 Hz		3	29 Hz		3	48 Hz		3	67 Hz
	4	7 Hz		4	21 Hz		4	36 Hz		4	50 Hz (Default)
	5	6 Hz		5	17 Hz		5	29 Hz		5	40 Hz
	6	5 Hz		6	14 Hz		6	24 Hz		6	33Hz
	7	4 Hz		7	12Hz		7	20 Hz		7	29 Hz
2	1	57 Hz	4	1	114 Hz	6	1	171 Hz			
	2	29 Hz		2	57 Hz		2	86 Hz			
	3	19 Hz		3	38 Hz		3	57 Hz			
	4	14 Hz		4	29Hz		4	43 Hz			
	5	11 Hz		5	23 Hz		5	34 Hz			
	6	10 Hz		6	19 Hz		6	29 Hz			
	7	8 Hz		7	16 Hz		7	24 Hz			


**(18) Temperature Sensor Calibration (TSC) (R40H)**

Action	W/R	C/D	D7	D6	D5	D4	D3	D2	D1	D0
Sensing Temperature	0	0	0	1	0	0	0	0	0	0
	1	1	D10/TS7	D9/TS6	D8/TS5	D7/TS4	D6/TS3	D5/TS2	D4/TS1	D3/TS0
	1	1	D2	D1	D0	-	-	-	-	-

This command reads the temperature sensed by the temperature sensor.

TS [7:0]: When TSE (R41h) is set to 0, this command reads internal temperature sensor value.

D [10:0]: When TSE (R41h) is set to 1, this command reads external LM75 temperature sensor value.

TS [7:0]/D [10:3]	Temperature (°C)	TS [7:0]/D [10:3]	Temperature (°C)	TS [7:0]/D [10:3]	Temperature (°C)
1110_0111	-25	0000_0000	0	0001_1001	25
1110_1000	-24	0000_0001	1	0001_1010	26
1110_1001	-23	0000_0010	2	0001_1011	27
1110_1010	-22	0000_0011	3	0001_1100	28
1110_1011	-21	0000_0100	4	0001_1101	29
1110_1100	-20	0000_0101	5	0001_1110	30
1110_1101	-19	0000_0110	6	0001_1111	31
1110_1110	-18	0000_0111	7	0010_0000	32
1110_1111	-17	0000_1000	8	0010_0001	33
1111_0000	-16	0000_1001	9	0010_0010	34
1111_0001	-15	0000_1010	10	0010_0011	35
1111_0010	-14	0000_1011	11	0010_0100	36
1111_0011	-13	0000_1100	12	0010_0101	37
1111_0100	-12	0000_1101	13	0010_0110	38
1111_0101	-11	0000_1110	14	0010_0111	39
1111_0110	-10	0000_1111	15	0010_1000	40
1111_0111	-9	0001_0000	16	0010_1001	41
1111_1000	-8	0001_0001	17	0010_1010	42
1111_1001	-7	0001_0010	18	0010_1011	43
1111_1010	-6	0001_0011	19	0010_1100	44
1111_1011	-5	0001_0100	20	0010_1101	45
1111_1100	-4	0001_0101	21	0010_1110	46
1111_1101	-3	0001_0110	22	0010_1111	47
1111_1110	-2	0001_0111	23	0011_0000	48
1111_1111	-1	0001_1000	24	0011_0001	49



**(19) Temperature Sensor Enable (TSE) (R41H)**

Action	W/R	C/D	D7	D6	D5	D4	D3	D2	D1	D0
Enable Temperature Sensor/Offset	0	0	0	1	0	0	0	0	0	1
	0	1	TSE	-	-	-	TO[3:0]			

This command selects Internal or External temperature sensor.

TSE: Internal temperature sensor switch

0: Enable (Default)

1: Disable; using external sensor.

TO [3:0]: Temperature offset.

TO [3:0]	Calculation	TO [3:0]	Calculation
0000 b	0	1000	-8
0001	1	1001	-7
0010	2	1010	-6
...	...	...	...
0110	6	1110	-2
0111	7	1111	-1

**(20) Temperature Sensor Write (TSW) (R42H)**

Action	W/R	C/D	D7	D6	D5	D4	D3	D2	D1	D0
Write External Temperature Sensor	0	0	0	1	0	0	0	0	1	0
	0	1	WATTR[7:0]							
	0	1	WMSB[7:0]							
	0	0	WLSB[7:0]							

This command reads the temperature sensed by the temperature sensor.

WATTR: D [7:6]:  $^{\circ}\text{C}$  Write Byte Number

00b: 1 byte (head byte only)

01b: 2 bytes (head byte + pointer)

10b: 3 bytes (head byte + pointer + 1st parameter)

11b: 4 bytes (head byte + pointer + 1st parameter + 2nd parameter)

D [5:3]: User-defined address bits (A2, A1, A0)

D [2:0]: Pointer setting

WMSB [7:0]: MSByte of write-data to external temperature sensor.

WLSB [7:0]: LSByte of write-data to external temperature sensor.

**(21) Temperature Sensor Read (TSR) (R43H)**

Action	W/R	C/D	D7	D6	D5	D4	D3	D2	D1	D0
Read External Temperature Sensor	0	0	0	1	0	0	0	0	1	1
	1	1	RMSB[7:0]							
	1	1	RLSB[7:0]							

This command reads the temperature sensed by the temperature sensor.

RMSB [7:0]: MSByte read data from external temperature sensor.

RLSB [7:0]: LSByte read data from external temperature sensor.

**(22) V<sub>COM</sub> and Data Interval Setting (CDI) (R50H)**

Action	W/R	C/D	D7	D6	D5	D4	D3	D2	D1	D0
Set Interval Between V <sub>COM</sub> and Data	0	0	0	1	0	1	0	0	0	0
	0	1	VBD[1:0]		DDX[1:0]		CDI[3:0]			

This command indicates the interval of V<sub>COM</sub> and data output. When setting the vertical back porch, the total blanking will be kept (20 H<sub>SYNC</sub>).

VBD [1:0]: Border Data Selection

B/W/Red mode (BWR=0)

DDX [0]	VBD [1:0]	LUT	DDX [0]	VBD [1:0]	LUT
0	00	Floating	1(Default)	00	LUTB
	01	LUTR		01	LUTW
	10	LUTW		10	LUTR
	11	LUTB		11	Floating

B/W mode (BWR=1)

DDX [0]	VBD [1:0]	LUT	DDX [0]	VBD [1:0]	LUT
0	00	Floating	1(Default)	00	Floating
	01	LUTBW (1→0)		01	LUTWB (1→0)
	10	LUTWB (0→1)		10	LUTBW (0→1)
	11	Floating		11	Floating

DDX [1:0]: Data Polarity.

DDX [1] for RED data, DDX [0] for BW data in the B/W/Red mode  
 DDX [0] for B/W mode

B/W/Red mode (BWR=0)

DDX [1:0]	Data {Red, B/W}	LUT	DDX [1:0]	Data {Red, B/W}	LUT
00	00	LUTW	10	00	LUTR
	01	LUTB		01	LUTR
	10	LUTR		10	LUTW
	11	LUTR		11	LUTB
01(Default)	00	LUTB	11	00	LUTR
	01	LUTW		01	LUTR
	10	LUTR		10	LUTB
	11	LUTR		11	LUTW

B/W mode (BWR=1)

DDX [0]	Data {New, Old}	LUT	DDX [0]	Data {New, Old}	LUT
0	00	LUTWW (0→0)	1(Default)	00	LUTBB (0→0)
	01	LUTBW (1→0)		01	LUTWB (0→1)
	10	LUTWB (0→1)		10	LUTBW (1→0)
	11	LUTBB (1→1)		11	LUTWW (1→1)

CDI [3:0]:  $V_{COM}$  and Data Interval

CDI [3:0]	$V_{COM}$ and Data Interval	CDI [3:0]	$V_{COM}$ and Data Interval
0000 b	17 $H_{SYNC}$	0110	11
0001	16	0111	10 (Default)
0010	15	...	...
0011	14	1101	4
0100	13	1110	3
0101	12	1111	2

(23) Low Power Detection (LPD) (R51H)

Action	W/R	C/D	D7	D6	D5	D4	D3	D2	D1	D0
Detect Low Power	0	0	0	1	0	1	0	0	0	1
	1	1	-	-	-	-	-	-	-	LPD

This command indicates the input power condition. Host can read this flag to learn the battery condition.

LPD: Interval Low Power Detection Flag

0: Low power input ( $V_{DD} < 2.5V$ )

1: Normal status (default)

(24) TCON Setting (TCON) (R60H)

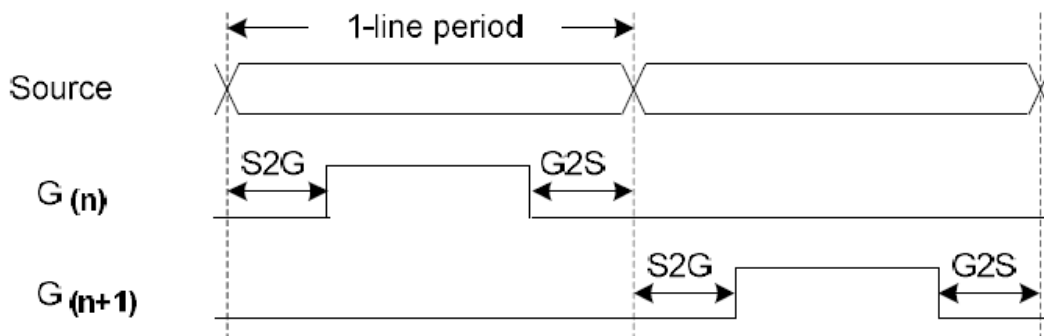
Action	W/R	C/D	D7	D6	D5	D4	D3	D2	D1	D0
Set Gate/Source Non-Overlap Period	0	0	0	1	1	0	0	0	0	0
	0	1	S2G[3:0]				G2S[3:0]			

This command defines non-overlap period of Gate and Source.

S2G [3:0] or G2S [3:0]: Source to Gate / Gate to Source Non-overlap period

S2G [3:0] or G2S [3:0]	Period	S2G [3:0] or G2S [3:0]	Period
0000b	4	...	...
0001	8	1011	48
0010	12(Default)	1100	52
0011	16	1101	56
0100	20	1110	60
0101	24	1111	64

Period = 660 nS.



**(25) Resolution Setting (TRES) (R61H)**

Action	W/R	C/D	D7	D6	D5	D4	D3	D2	D1	D0
Set Display Resolution	0	0	0	1	1	0	0	0	0	1
	0	1	HRES[7:3]					0	0	0
	0	1	-	-	-	-	-	-	-	VRES[8]
	0	0	VRES[7:0]							

This command defines alternative resolution and this setting is of higher priority than the RES [1:0] in R00H (PSR).

HRES [7:3]: Horizontal Display Resolution

VRES [8:0]: Vertical Display Resolution

Active Channel Calculation:

GD: First active gate = G0 (Fixed); LAST active gate = VRES [8:0] - 1

SD: First active source = S0 (Fixed); LAST active source = HRES [7:3]\*8 - 1

**(26) Get Status (FLG) (R71H)**

Action	W/R	C/D	D7	D6	D5	D4	D3	D2	D1	D0
Read Flags	0	0	0	1	1	1	0	0	0	1
	1	1	-	PTL_flag	I <sup>2</sup> C_ERR	I <sup>2</sup> C_BUSY	data_flag	PON	POF	BUSY

This command reads the IC status.

PTL\_FLAG: Partial display status (high: partial mode)

I<sup>2</sup>C\_ERR: I<sup>2</sup>C master error status

I<sup>2</sup>C\_BUSY: I<sup>2</sup>C master busy status (low active)

Data\_flag: Driver has already received all the one frame data

PON: Power ON status

POF: Power OFF status

BUSY: Driver busy status (low active)

**(27) Auto Measure V<sub>COM</sub> (AMV) (R80H)**

Action	W/R	C/D	D7	D6	D5	D4	D3	D2	D1	D0
Automatically Measure V <sub>COM</sub>	0	0	1	0	0	0	0	0	0	0
	0	1	-	-	AMVT[1:0]	XON	AMVS	AMV	AMVE	

This command reads the IC status.

AMVT [1:0]: Auto Measure V<sub>COM</sub> Time

00b: 3s      01b: 5s (Default)

10b: 8s      11b: 10s

XON: All Gate ON of AMV

0: Gate normally scans during Auto Measure V<sub>COM</sub> period. (Default)

1: All Gate ON during Auto Measure V<sub>COM</sub> period.

AMVS: Source output of AMV

0: Source output 0V during Auto Measure V<sub>COM</sub> period. (Default)

1: Source output VDHR during Auto Measure V<sub>COM</sub> period.

AMV: Analog signal

0: Get V<sub>COM</sub> value with the VV command (R81h) (Default)

1: Get V<sub>COM</sub> value in analog signal. (External analog to digital converter)

AMVE: Auto Measure  $V_{COM}$  Enable (/Disable)

0: No effect

1: Trigger auto  $V_{COM}$  sensing.

(28) Vcom Value (VV) (R81H)

Action	W/R	C/D	D7	D6	D5	D4	D3	D2	D1	D0
Automatically measure Vcom	0	0	1	0	0	0	0	0	0	1
	1	1	-	-	VV[5:0]					

This command gets the Vcom value.

VV [5:0]: Vcom Value Output

VV[5:0]	Vcom value
00 0000b	-0.10 V
00 0001b	-0.15 V
00 0010b	-0.20 V
:	:
11 1010b	-3.00 V

(29) VCM\_DC Setting (VDCS) (R82H)

Action	W/R	C/D	D7	D6	D5	D4	D3	D2	D1	D0
Set VCM_DC	0	0	1	0	0	0	0	0	1	0
	0	1	-	-	VDCS[5:0]					

This command sets VCOM\_DC value

VDCS [5:0]: VCOM\_DC Setting

VDCS [5:0]	Vcom value
00 0000b	-0.10 V (default)
00 0001b	-0.15 V
00 0010b	-0.20 V
:	:
11 1010b	-3.00 V

(30) Partial Window (PTL) (R90H)

Action	W/R	C/D	D7	D6	D5	D4	D3	D2	D1	D0
Set Partial Window	0	0	1	0	0	1	0	0	0	0
	0	1	HRST[7:3]					0	0	0
	0	1	HRED[7:3]					1	1	1
	0	1	-	-	-	-	-	-	-	VRST[8]
	0	1	VRST[7:0]							
	0	1	-	-	-	-	-	-	-	VRED[8]
	0	1	VRED[7:0]							
	0	1	-	-	-	-	-	-	-	PT_SCAN

This command sets partial window.

HRST [7:3]: Horizontal start channel bank. (Value 00h~13h)

HRED [7:3]: Horizontal end channel bank. (Value 00h~13h). HRED must be greater than HRST.

VRST [8:0]: Vertical start line. (Value 000h~127h)

VRED [8:0]: Vertical end line. (Value 000h~127h). VRED must be greater than VRST.

PT\_SCAN: 0: Gates scan only inside of the partial window.

1: Gates scan both inside and outside of the partial window. (Default)

(31) Partial In (PTIN) (R91H)

Action	W/R	C/D	D7	D6	D5	D4	D3	D2	D1	D0
Partial In	0	0	1	0	0	1	0	0	0	1

This command makes the display enter partial mode.

(32) Partial Out (PTOUT) (R92H)

Action	W/R	C/D	D7	D6	D5	D4	D3	D2	D1	D0
Partial In	0	0	1	0	0	1	0	0	1	0

This command makes the display exit partial mode and enter normal mode.

(33) Program Mode (PGM) (RA0H)

Action	W/R	C/D	D7	D6	D5	D4	D3	D2	D1	D0
Enter Mode Program	0	0	1	0	1	0	0	0	0	0
	0	1	1	0	1	0	0	1	0	1

After this command is issued, the chip would enter the program mode.

The mode would return to standby by hardware reset.

The only one parameter is a check code, the command would be executed if check code = 0xA5.

(34) Active Program (APG) (RA1H)

Action	W/R	C/D	D7	D6	D5	D4	D3	D2	D1	D0
Active Program OTP	0	0	1	0	1	0	0	0	0	1

After this command is transmitted, the programming state machine would be activated.

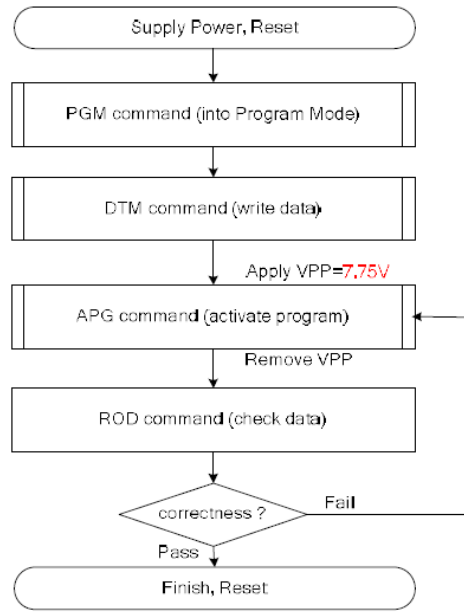
The BUSY flag would fall to 0 until the programming is completed.

(35) Read OTP Data (ROTP) (RA2H)

Action	W/R	C/D	D7	D6	D5	D4	D3	D2	D1	D0
Read OTP Data for Check	0	0	1	0	1	0	0	0	1	0
	1	1	Dummy							
	1	1	The data of address 0x000 in the OTP							
	1	1	The data of address 0x001 in the OTP							
	1	1	..							
	1	1	The data of address (n-1) in the OTP							
	1	1	The data of address (n) in the OTP							

The command is used for reading the content of OTP for checking the data of programming.

The value of (n) is depending on the amount of programmed data, the max address = 0xFFF.



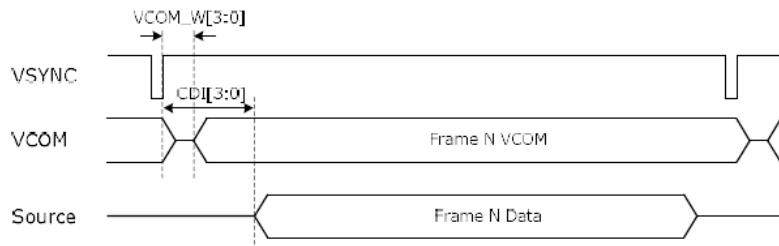
The sequence of programming OTP

(36) Power Saving (PWS) (RE3H)

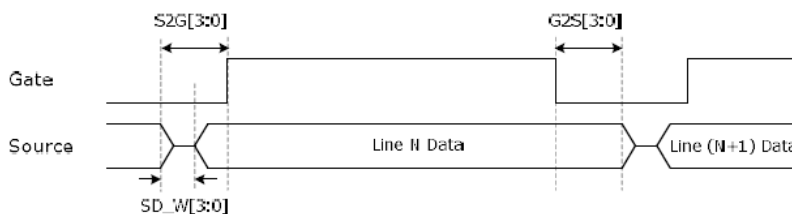
Action	W/R	C/D	D7	D6	D5	D4	D3	D2	D1	D0
Power Saving for V <sub>COM</sub> & Source	0	0	1	1	1	0	0	0	1	1
	0	1	V <sub>COM</sub> W[3:0]				SD W[3:0]			

This command is set for saving power during fresh period. If the output voltage of V<sub>COM</sub> / Source is from negative to positive or from positive to negative, the power saving mechanism will be activated. The active period width is defined by the following two parameters.

V<sub>COM</sub>\_W [3:0]: V<sub>COM</sub> power saving width (unit = line period)



SD\_W[3:0]: Source power saving width (unit = 660nS)



## 7. Electrical Characteristics

### 7.1. Absolute Maximum Rating

Parameter	Symbol	Rating	Unit
Logic Supply Voltage	V <sub>CI</sub>	-0.3 to +6.0	V
Logic Input Voltage	V <sub>IN</sub>	-0.3 to V <sub>CI</sub> +2.4	V
Operating Temp. range	T <sub>OPR</sub>	0 to +50	°C
Storage Temp. range	T <sub>STG</sub>	-25 to +70	°C
Humidity Range	RH	40~70	%

**IMPORTANT:** It is recommended that you use a UV protective film when operating the module in direct sunlight.

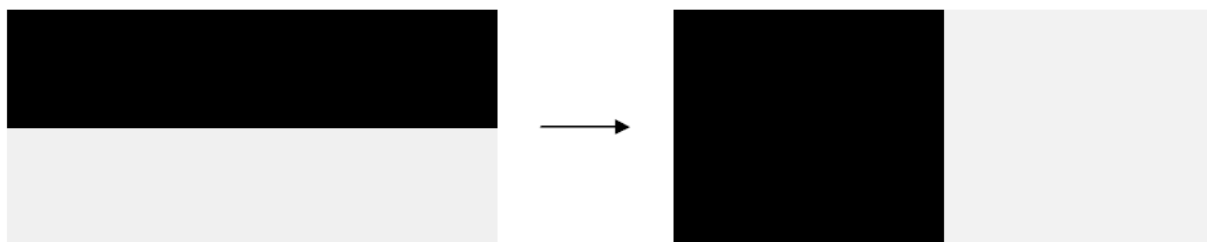
### 7.2. Panel DC Characteristics

The following specifications apply for: V<sub>SS</sub> = 0V, V<sub>CI</sub> = 3.3V, T<sub>A</sub> = 25°C

Parameter	Symbol	Conditions	Min	Typ	Max	Unit
Single ground	V <sub>SS</sub>	-	-	0	-	V
Logic Supply Voltage	V <sub>CI</sub>	-	2.3	3.3	3.6	V
High level input voltage	V <sub>IH</sub>	Digital Input Pins	0.7V <sub>CI</sub>	-	V <sub>CI</sub>	V
Low level input voltage	V <sub>IL</sub>	Digital Input Pins	0	-	0.3V <sub>CI</sub>	V
High level output voltage	V <sub>OH</sub>	Digital Input Pins, I <sub>OH</sub> = 400uA	V <sub>CI</sub> -0.4	-	-	V
Low level output voltage	V <sub>OL</sub>	Digital Input Pins, I <sub>OL</sub> = -400uA	0	-	0.4	V
Image update current	I <sub>UPDATE</sub>	-	-	8	10	mA
Standby panel current	I <sub>STANDBY</sub>	-	-	-	5	uA
Power panel update)	P <sub>UPDATE</sub>	-	-	26.4	40	mW
Standby power panel	P <sub>STBY</sub>	-	-	-	0.0165	mW
Operating temperature	-	-	0	-	50	°C
Storage temperature	-	-	-25	-	70	°C
Image update Time at 25°C	-	-	-	6	8	Sec
Deep Sleep Mode Current	I <sub>VCI</sub>	DC/DC Off No Clock No Input Load Ram Data Not Retained	-	2	5	uA
Sleep Mode Current	I <sub>VCI</sub>	DC/DC Off No Clock No Input Load Ram Data Retained	-	35	50	uA

The typical power consumption is measured with the following pattern transition: from horizontal 2 gray scale pattern to vertical 2 gray scale pattern, shown below.

Note: The standby power is the consumed power when the panel controller is in standby mode. The listed electrical/optical characteristics are only guaranteed under the controller & waveform provided by Crystalfontz. V<sub>com</sub> is recommended to be set in the range of assigned value ±0.1V.





## 8. Panel AC Characteristics

### 8.1. Oscillator Frequency

The following specifications apply for:  $V_{SS} = 0V$ ,  $V_{CI} = 3.3V$ ,  $T_A = 25^\circ C$

Parameter	Symbol	Conditions	Min	Typ	Max	Unit
Internal Oscillator Frequency	$F_{OSC}$	$V_{CI}=2.3$ to $3.6V$	-	1.625	-	MHz

### 8.2. MCU Interface

#### 8.2.1. MCU Interface Selection

In this module, there are 4-wire SPI and 3-wire SPI that can communicate with MCU. The MCU interface mode can be set by hardware selection on BS1 pins. When it is "Low", 4-wire SPI is selected. When it is "High", 3-wire SPI (9 bits SPI) is selected.

Pin Name	Data/Command Interface		Control Signal		
Bus interface	D1	D0	CS#	D/C#	RES#
SPI4	SDIN	SCLK	CS#	D/C#	RES#
SPI3	SDIN	SCLK	CS#	L	RES#

MCU Interface Assignment Under Different Bus Interface Mode

Note: "L" is connected to  $V_{SS}$ . "H" is connected to  $V_{CI}$ .

#### 8.2.2. MCU Serial Interface (4-Wire SPI)

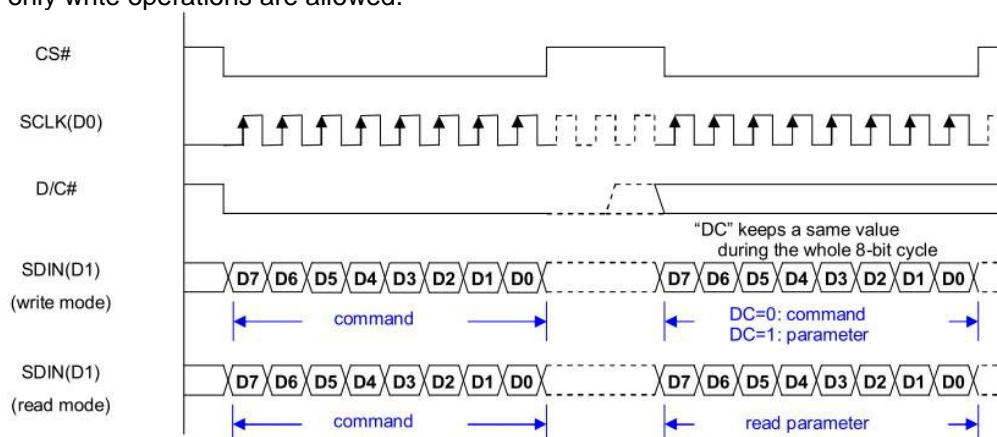
The 4-wire SPI consists of serial clock SCLK, serial data SDIN, D/C#, CS#. In SPI mode, D0 acts as SCLK, D1 acts as SDIN.

Function	CS#	D/C#	SCLK
Write Command	L	L	↑
Write data	L	H	↑

Control Pins of 4-Wire Serial Peripheral Interface

Note: ↑stands for rising edge of signal

SDIN is shifted into an 8-bit shift register in the order of D7, D6, D0. The data byte in the shift register is written to the Graphic Display Data RAM (RAM) or command register in the same clock. Under serial mode, only write operations are allowed.



Write procedure in 4-wire Serial Peripheral Interface mode

### 8.2.3. MCU Serial Interface (3-Wire SPI)

The 3-wire serial interface consists of serial clock SCLK, serial data ADIN and CS#.

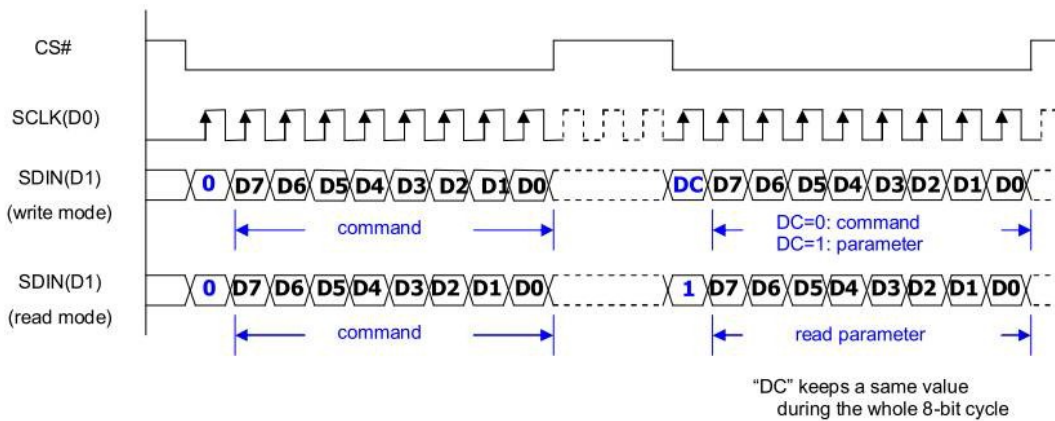
In 3-wire SPI mode, D0 acts as SCLK, D1 acts as SDIN. The pin D/C# can be connected to an external ground.

The operation is similar to 4-wire serial interface while D/C# pin is not used. There are altogether 9-bits will be shifted into the shift register on every ninth clock in sequence: D/C# bit, D7 to D0 bit. The D/C# bit (first bit of the sequential data) will determine the following data byte in shift register is written to the Display Data RAM (D/C# bit = 1) or the command register (D/C# bit = 0). Under serial mode, only write operations are allowed.

Function	CS#	D/C#	SCLK
Write Command	L	Tie LOW	↑
Write data	L	Tie LOW	↑

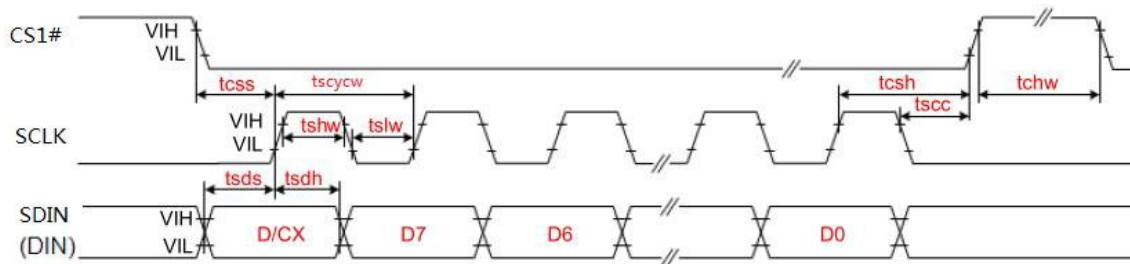
Control Pins of 3-Wire Serial Peripheral Interface

Note: ↑stands for rising edge of signal

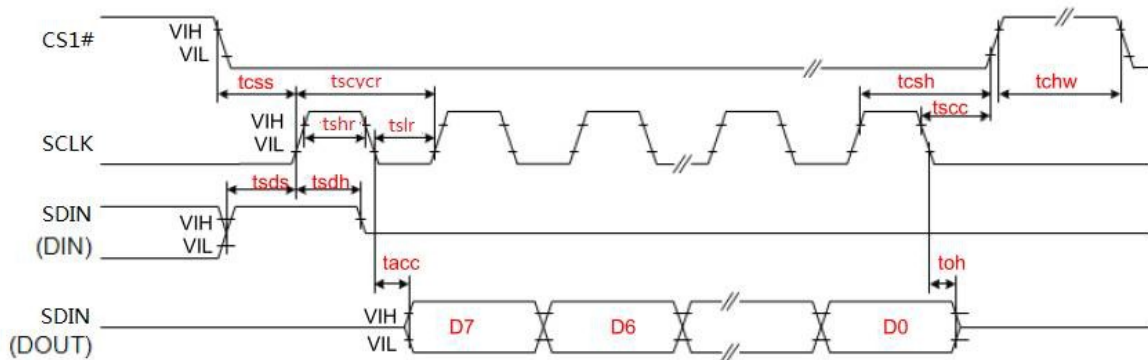


Write Procedure in 3-Wire Serial Peripheral Interface Mode

## 9. Timing Characteristics of Series Interface



3-wire Serial Interface – Write



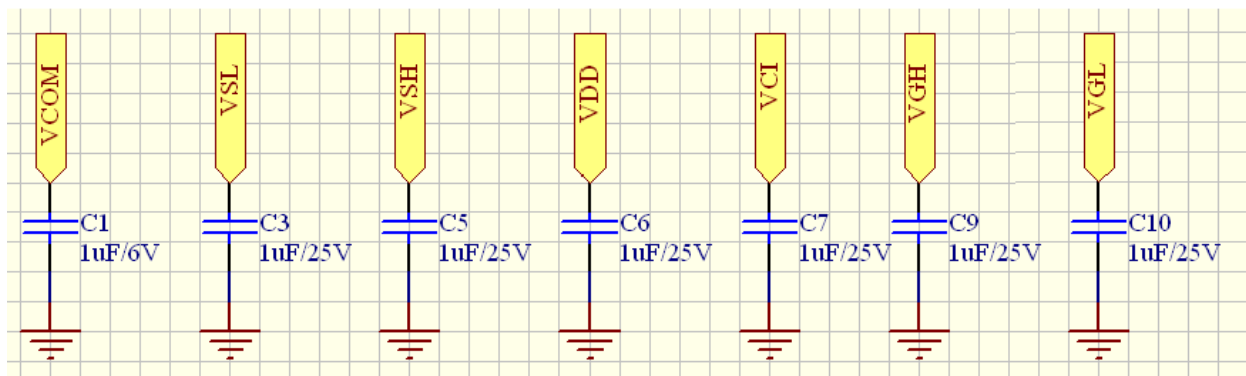
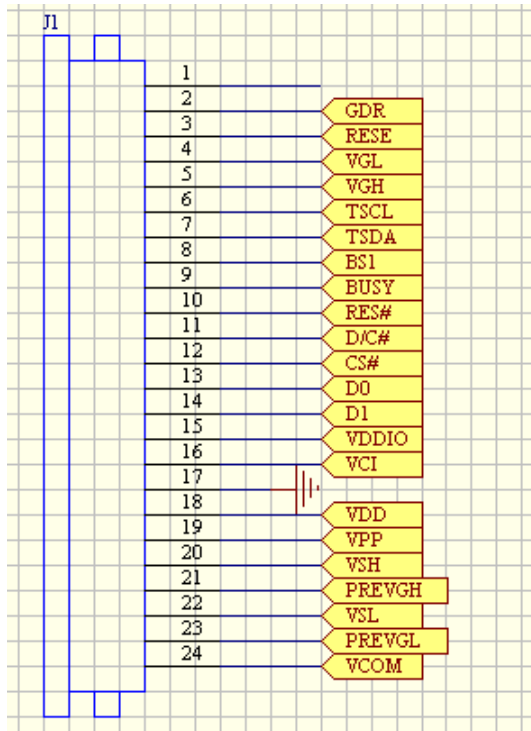
3-wire Serial Interface – Read

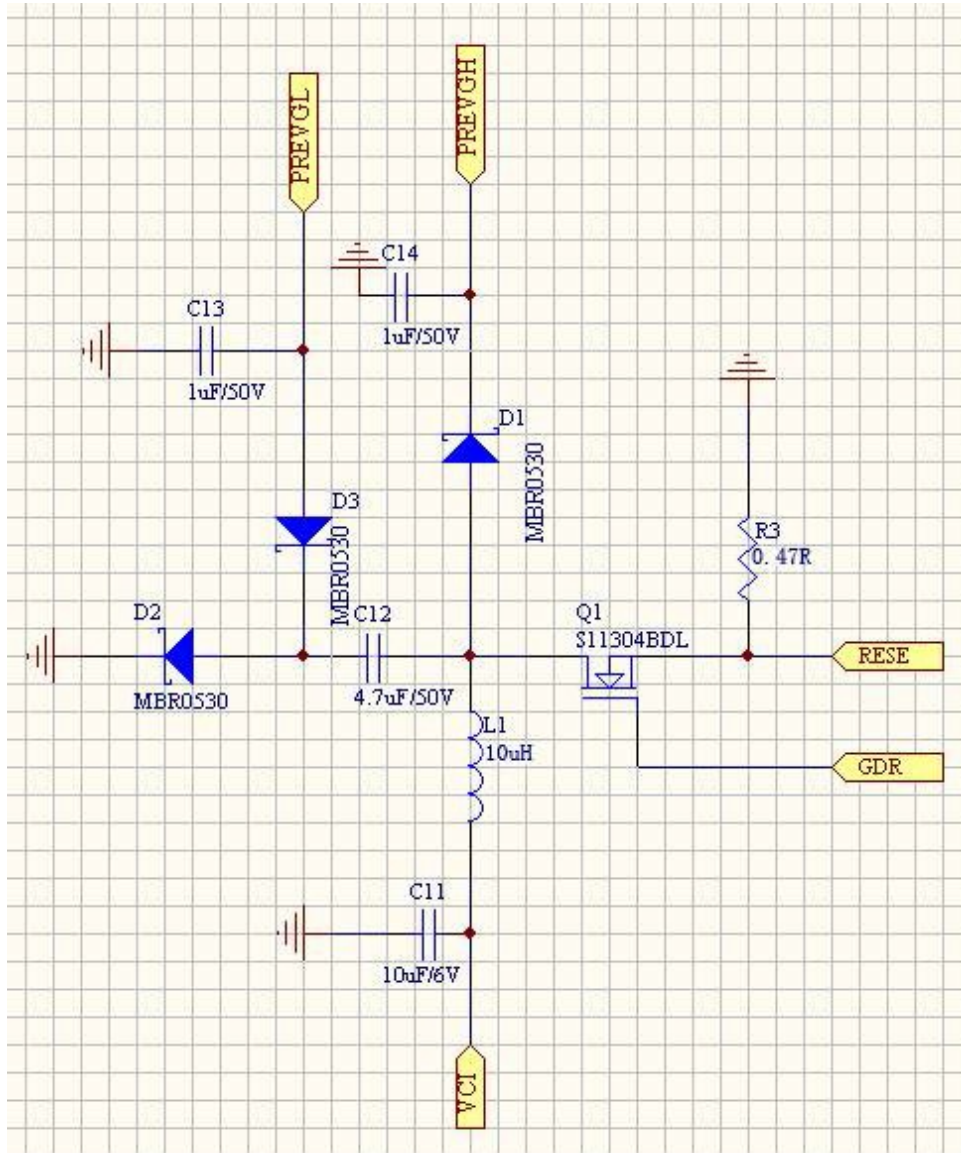
Symbol	Signal	Parameter	Min	Typ	Max	Unit
tcss	CS#	Chip Select Setup Time	60	-	-	ns
tscsh		Chip Select Hold Time	65	-	-	ns
tsccl		Chip Select Setup Time	20	-	-	ns
tchwl		Chip Select Setup Time	40	-	-	ns
tscycw	SCLK	Serial clock cycle (write)	100	-	-	ns
tshw		SCL "H" pulse width (write)	35	-	-	ns
tslw		SCL "L" pulse width (write)	35	-	-	ns
tscycr		Serial clock cycle (Read)	150	-	-	ns
tshr	SCLK	SCL "H" pulse width (Read)	60	-	-	ns
tsll		SCL "L" pulse width (Read)	60	-	-	ns
tsds	SDIN (DIN) (DOU)	Data setup time	30	-	-	ns
tsdh		Data hold time	30	-	-	ns
tacc		Access time	-	-	10	ns
toh		Output disable time	15	-	-	ns

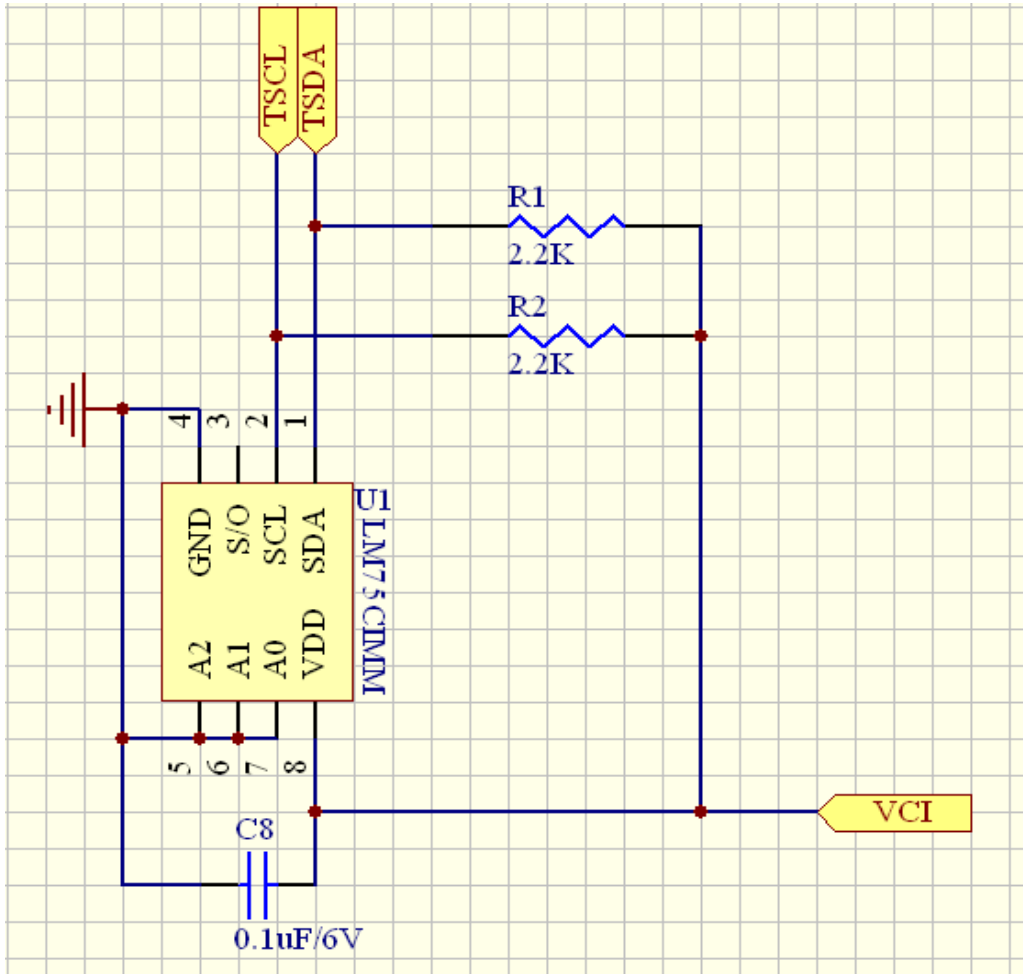
## 10. Power Consumption

Parameter	Symbol	Conditions	Typ	Max	Unit	Remark
Panel power consumption during update	-	25°C	26.4	40	mW	-
Power consumption in standby mode	-	25°C	-	0.0165	mW	-

## 11. Reference Circuit

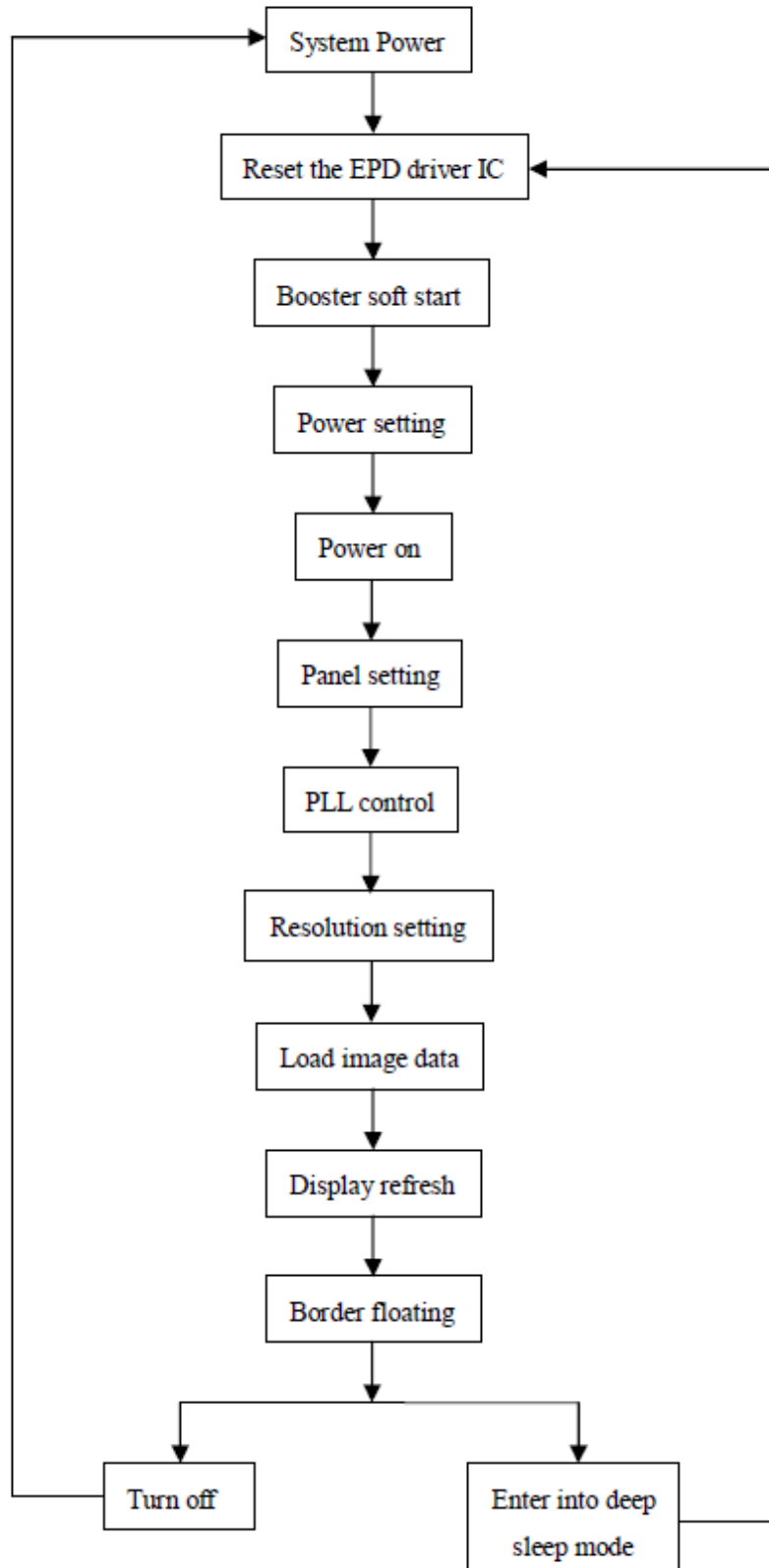




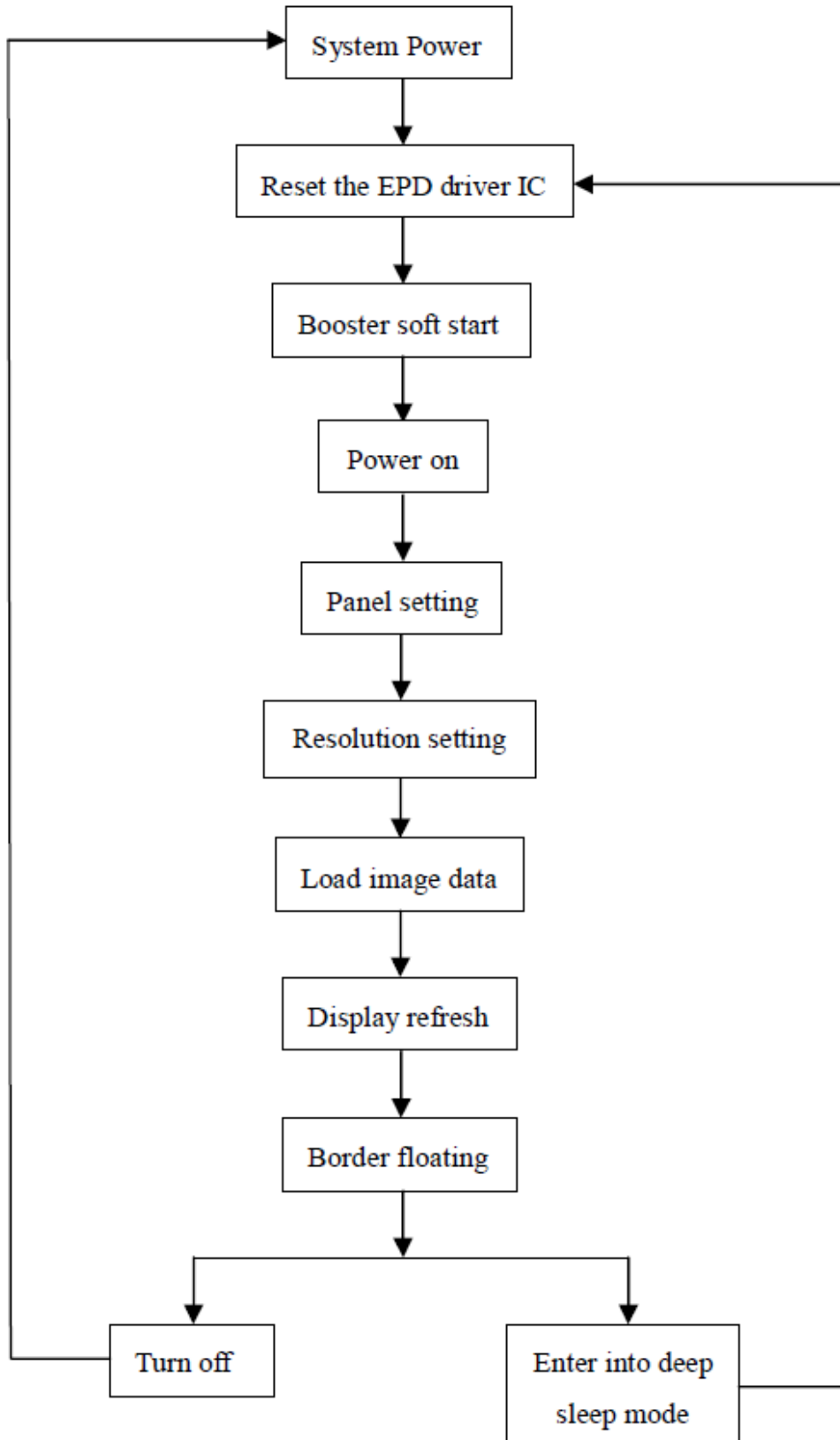


## 12. Typical Operating Sequence

### 12.1. BWR Mode & LUT from Register (Normal Operation Flow)



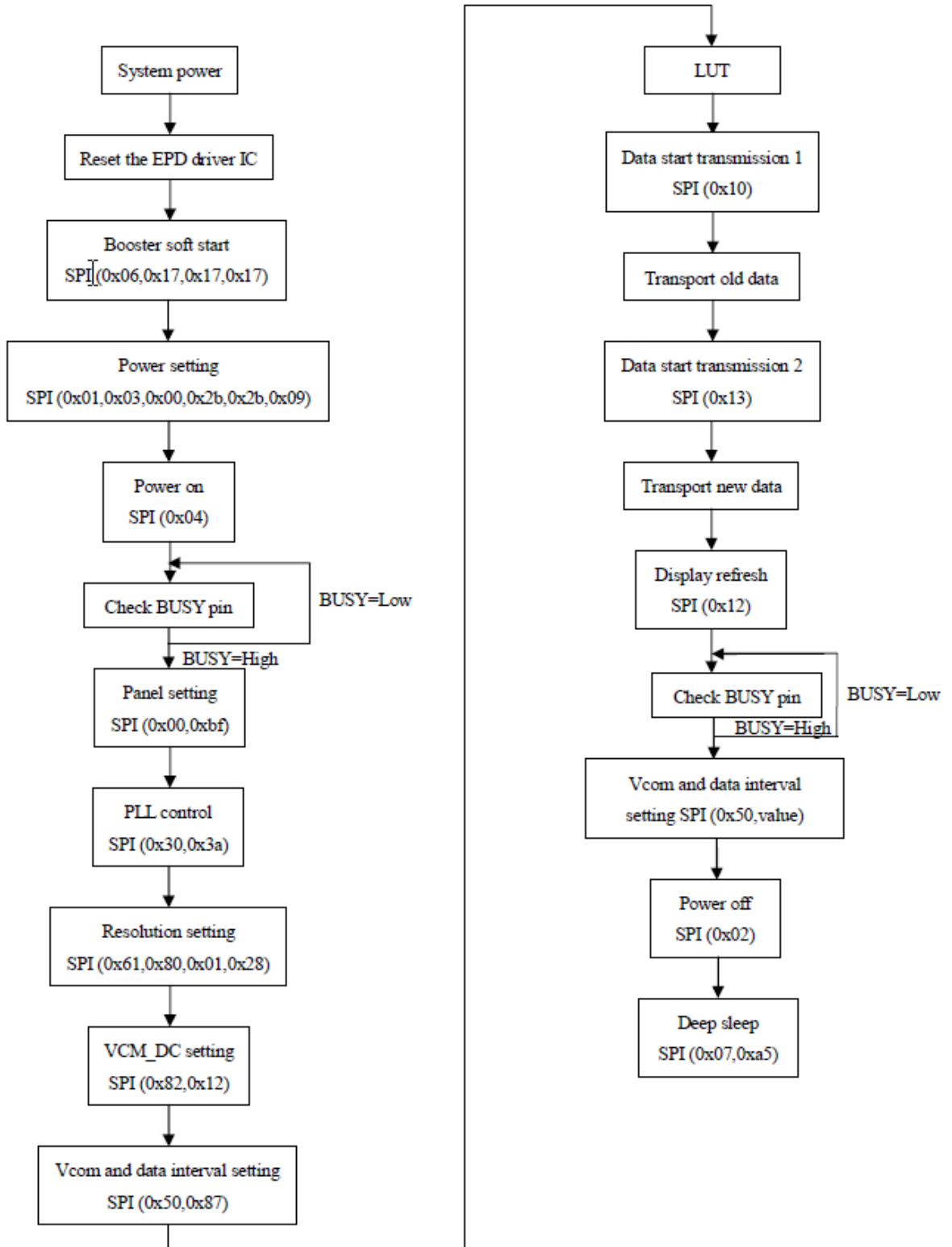
## 12.2. BWR Mode & LUT from OTP



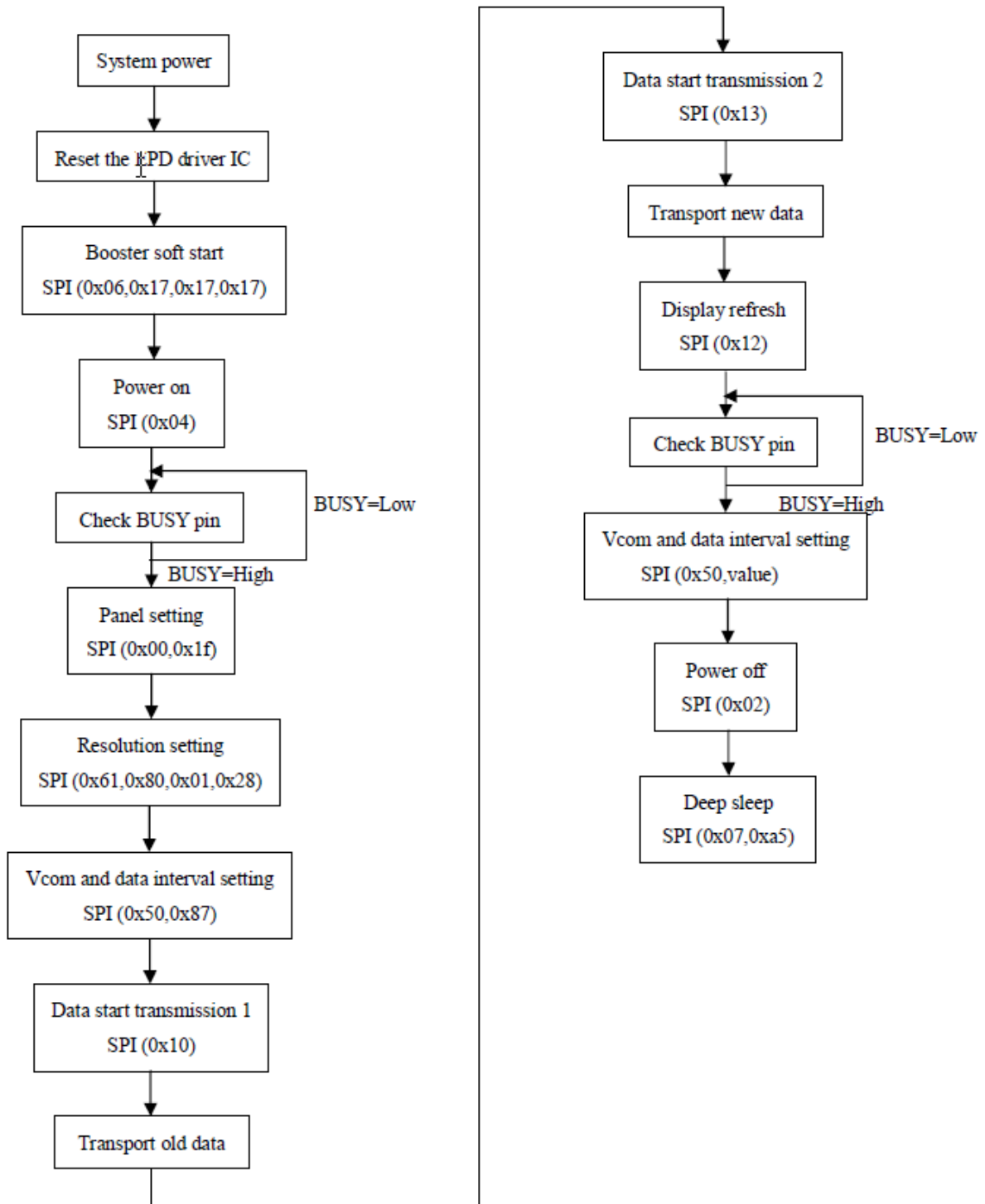


## 13. Reference Program Code

### 13.1. BWR Mode & LUT from Register



### 13.2. BWR Mode & LUT from OTP



## 14. Optical Characteristics

### 14.1. Specifications

Measurements are made with that the illumination is under an angle of 45 degrees, the detection is perpendicular unless otherwise specified.

T=25°C

Symbol	Parameter	Conditions	Min	Typical	Max	Unit	Note
R	Reflectance	White	30	35	-	%	Note 14-1
Gn	2Gray Level	-	-	$DS + (WS - DS) \times n(m-1)$	-	L*	-
CR	Contrast Ratio	Indoor	8		-	-	-
Panel Life		0°C ~50°C		1000000 times or 5 years			Note 14-2

WS: White State, DS: Dark State

Gray State from Dark to White: DS、WS

m: 2

Note (14-1): Luminance meter: Eye – One Pro Spectrophotometer

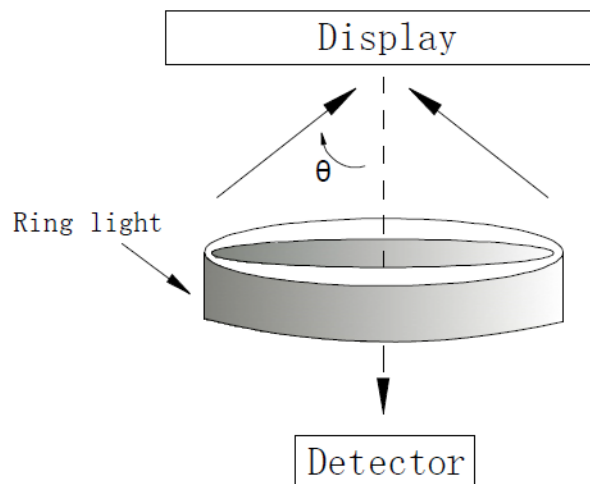
Note (14-2): Panel life is not guaranteed when worked in temperatures below 0 degrees or above 50 degrees. Each update interval time should be at a minimum of 180 seconds.

### 14.2. Definition of Contrast Ratio

The contrast ratio (CR) is the ratio between the reflectance in a full white area (R1) and the reflectance in a dark area (Rd) ():

R1: White Reflectance      Rd: Dark Reflectance

$CR = R1/Rd$

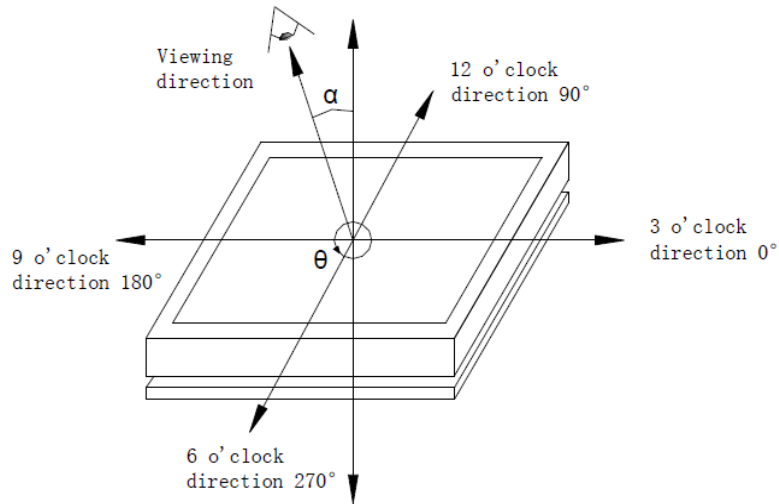


### 14.3. Reflection Ratio

The reflection ratio is expressed as:

$$R = \text{Reflectance Factor WHITE BOARD} \times (L_{\text{CENTER}} / L_{\text{WHITE BOARD}})$$

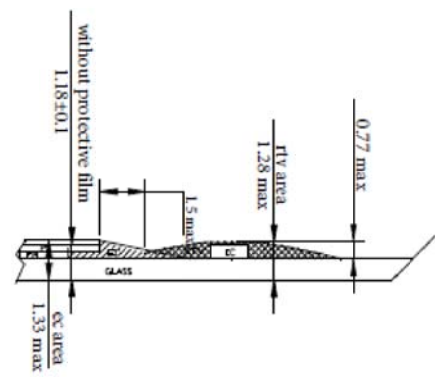
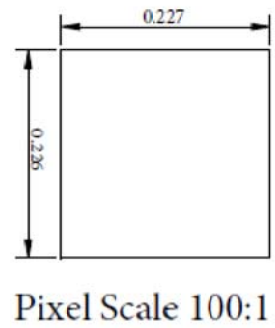
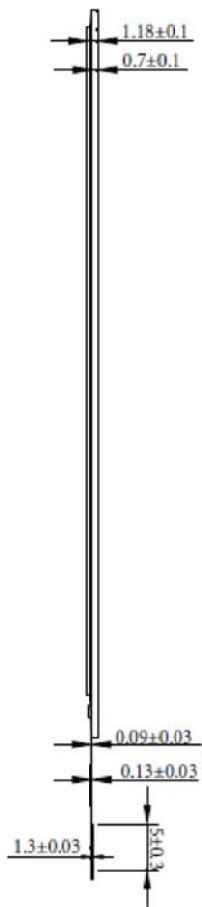
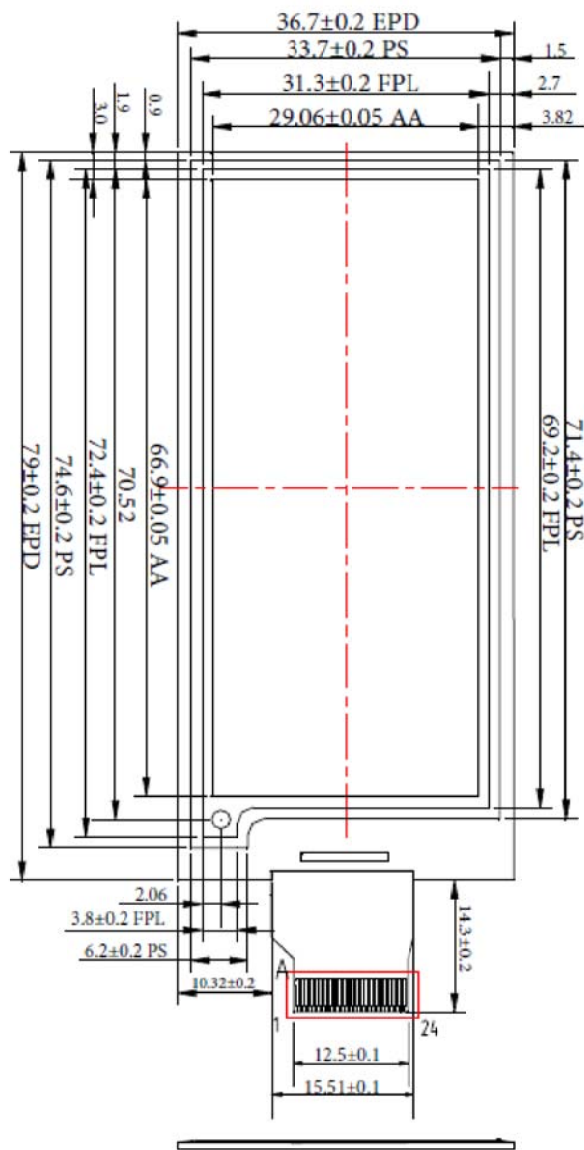
$L_{\text{CENTER}}$  is the luminance measured at center in a white area ( $R=G=B=1$ ).  $L_{\text{WHITE BOARD}}$  is the luminance of a standard white board. Both are measured with equivalent illumination source. The viewing angle shall be no more than 2 degrees.



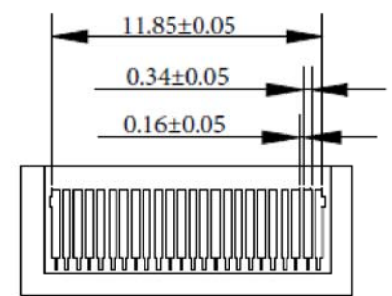
### 14.4. Bi-Stability

The Bi-Stability standard is as follows:

Bi-Stability	Result		
		AVG	MAX
24-Hour Luminance Drift	White state $\Delta L^*$	-	3
	Black state $\Delta L^*$	-	3



EPD Thickness (section drawing)



Detail A Scale 1/2.5

Tolerance is  $\pm 0.15$ mm unless specified.



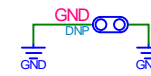
PART NUMBER(S) CFAP128296C0-0290	SCALE Not to Scale	COPYRIGHT © 2018 BY CRYSTALFONTZ AMERICA, INC. WWW.CRYSTALFONTZ.COM
DRAWING NUMBER CFAP128296C0-0290 master	UNITS Millimeters	DATE 2018-07-03

REV	ENGINEER	DATE	REMARKS
0v0	BAC	2018-04-04	Initial Creation
0v1	BAC	2018-05-17	Ind val, C12 val, JP_0P47 open, CN FPC
-	-	-	-
-	-	-	-
-	-	-	-

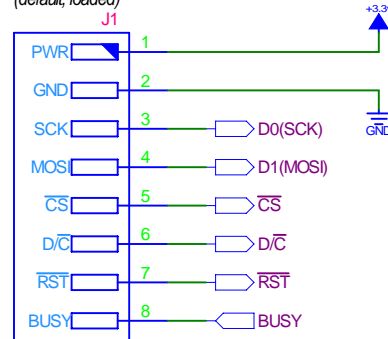
ESD border discharge



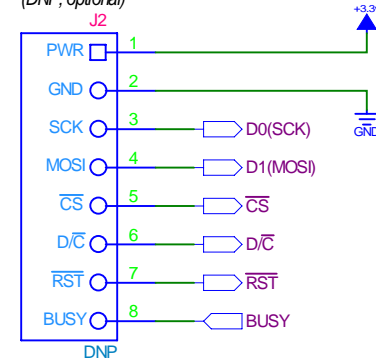
Scope Ground



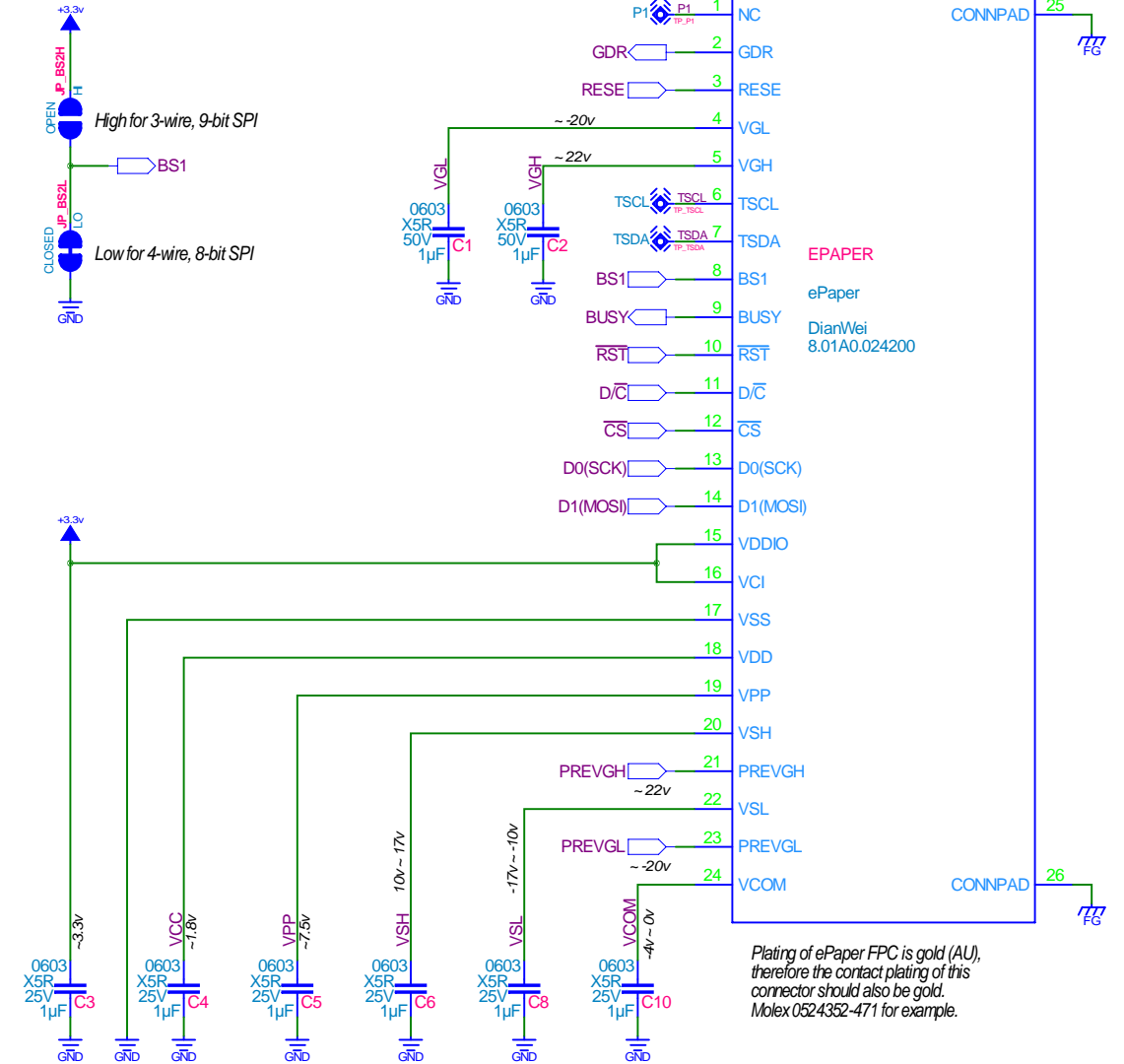
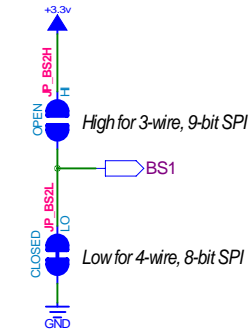
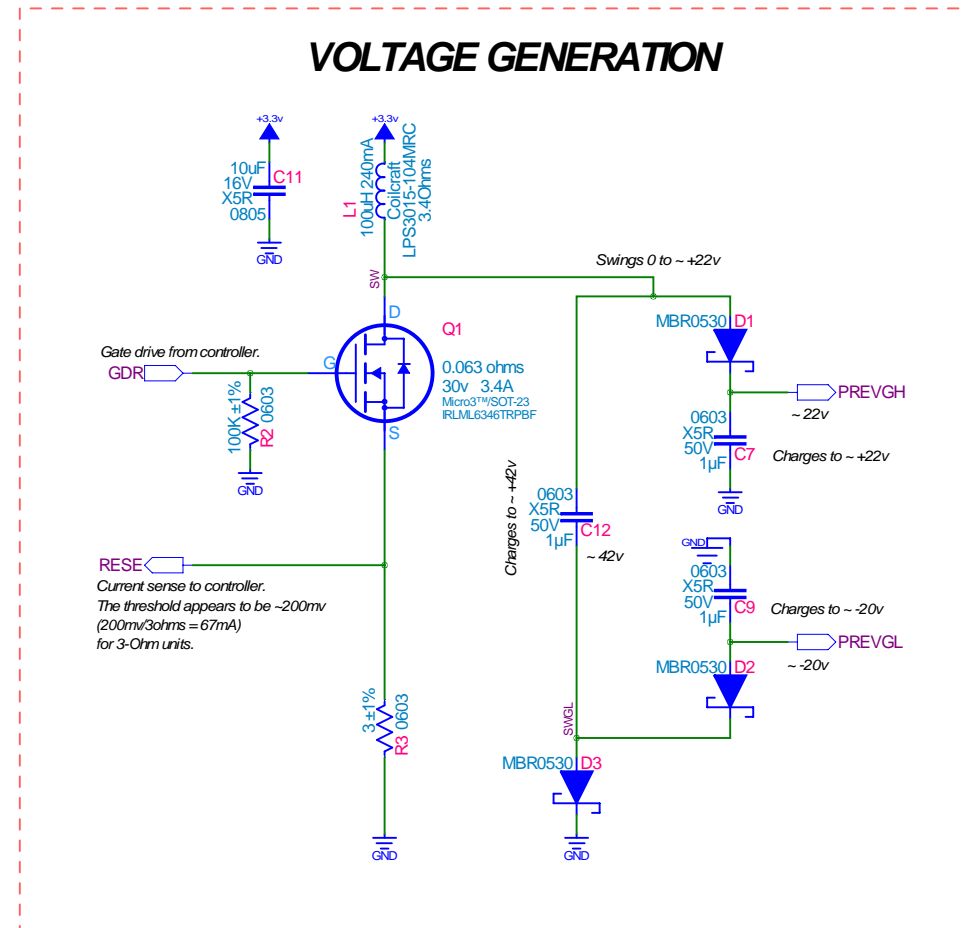
0.1" low-profile SMT header (default, loaded)



Holes for 0.1" through-hole header (DNP, optional)



### VOLTAGE GENERATION



**Crystalfontz America, Inc.**

Copyright © 2018  
Crystalfontz America, Inc.

CFA-10084: ePaper Adapter Board 24-pin (3-ohm)

Page 1/1: Schematic

PRODUCT NAME: <b>CFA-10084</b>	PRODUCT REVISION: <b>0v1</b>	PCB NUMBER: <b>PCB-10084</b>	PCB REVISION: <b>0v1</b>
-----------------------------------	---------------------------------	---------------------------------	-----------------------------