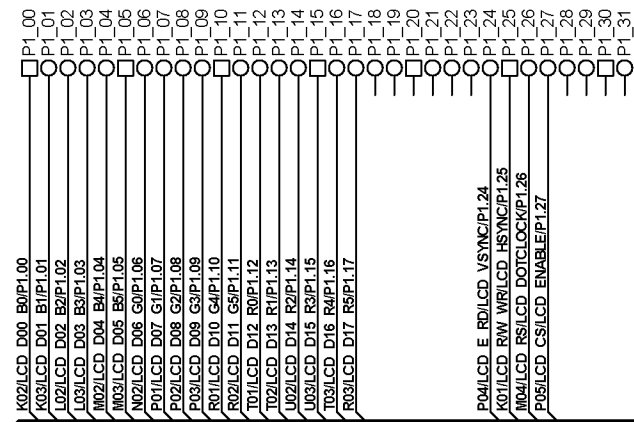
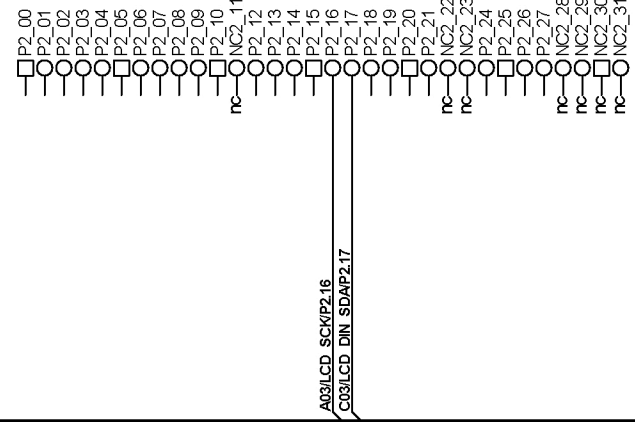


REV	ENGINEER	DATE	REMARKS
0.0	BGL	2015-02-10	Initial Creation
-	-	-	-
-	-	-	-
-	-	-	-
-	-	-	-

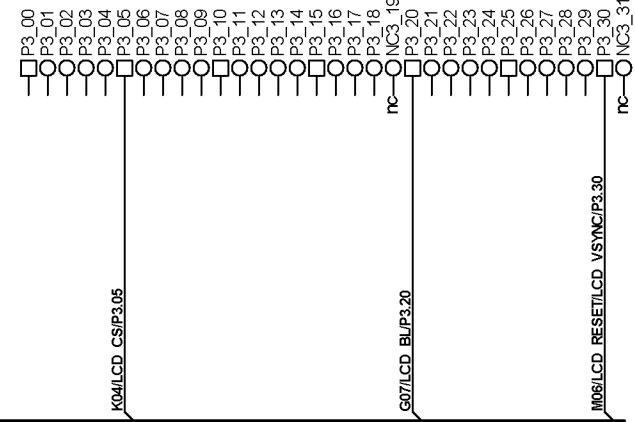
Port 1



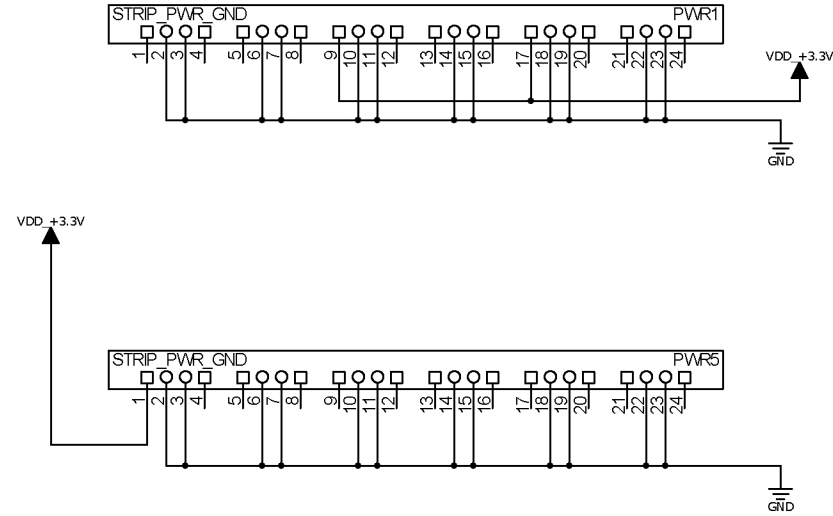
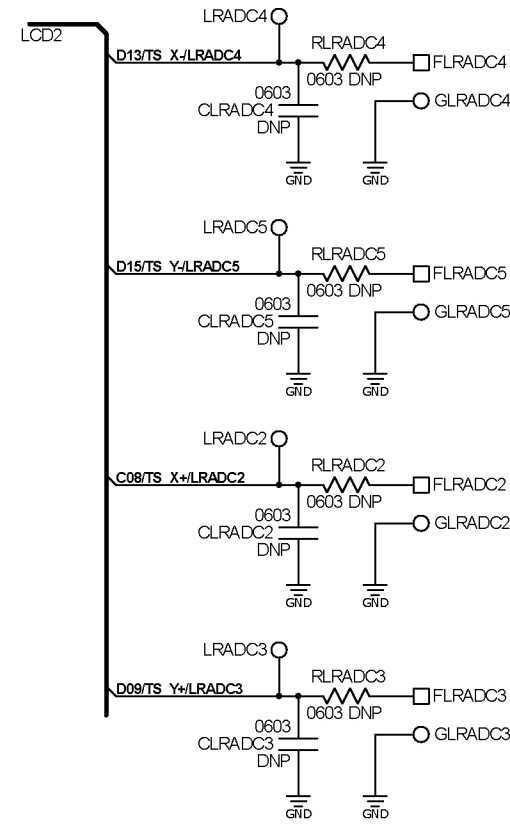
Port 2



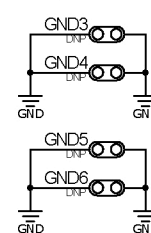
Port 3



Signal Naming:
B##/[NC/FUNC]/P#.##
B## = i.MX28 298-ball BGA ball/pin number
NC = No connect on i.MX283 processor
FUNC = dedicated function on 10K36, or i.MX28 dedicated function
P#.## = GPIO port bank and pin



Scope Grounds



Crystalfontz America, Inc.

CFA-10065: TFT LCD Demo Board for CFA-10037

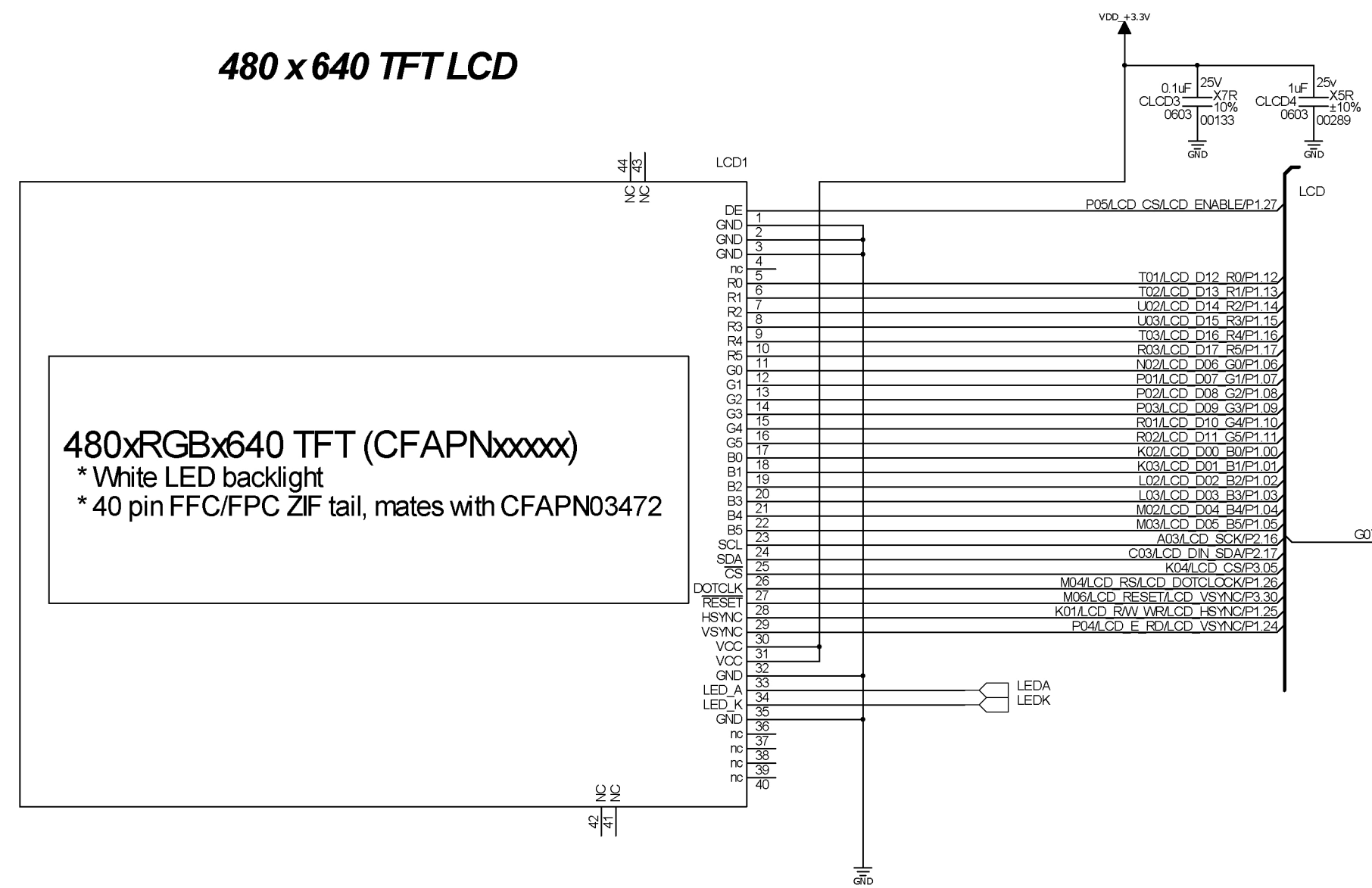
Page 1 / 3 : Connections to CFA-10037

FILE NAME:
CFA-10065.SCH

REVISION:
0.0

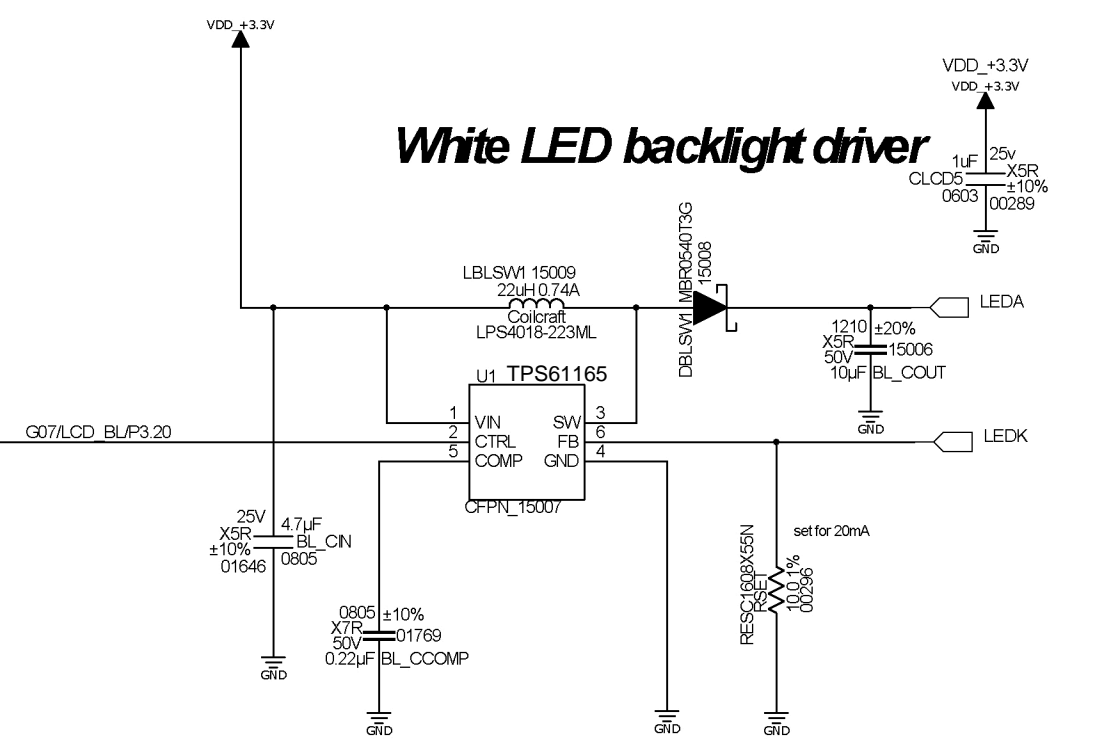
REV	ENGINEER	DATE	REMARKS
0.0	BGL	2015-02-10	Initial Creation
-	-	-	-
-	-	-	-
-	-	-	-
-	-	-	-

480 x 640 TFT LCD



480xRGBx640 TFT (CFAPNxxxxx)
 * White LED backlight
 * 40 pin FFC/FPC ZIF tail, mates with CFAPN03472

White LED backlight driver



Signal Naming:
B###[NC/FUNC][P#.##]
B### = i.MX28 298-ball BGA ball/pin number
NC = No connect on i.MX283 processor
FUNC = dedicated function on 10K36, or i.MX28 dedicated function
P#.## = GPIO port bank and pin

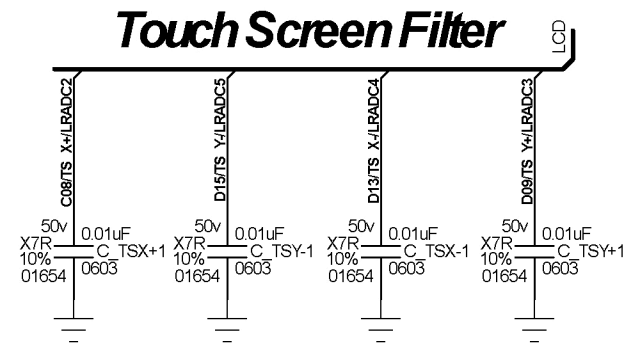
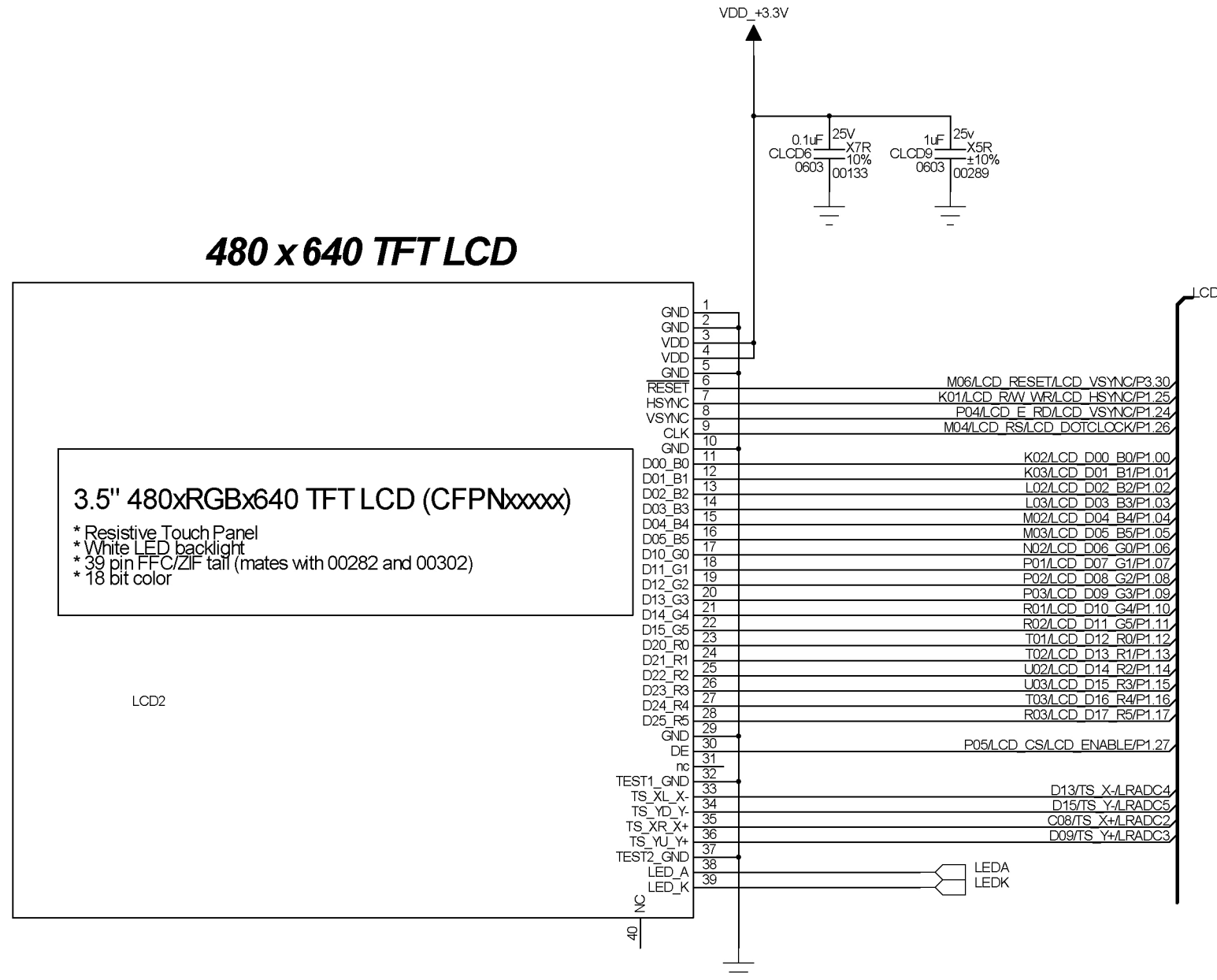
Crystalfontz America, Inc.

CFA-10065: TFT LCD Demo Board for CFA-10037

Page2 / 3 : 480 x 640 TFT LCD w/o Touch

FILE NAME: CFA-10065.SCH	REVISION: 0.0
------------------------------------	-------------------------

REV	ENGINEER	DATE	REMARKS
0.0	BGL	2015-02-10	Initial Creation
-	-	-	-
-	-	-	-
-	-	-	-
-	-	-	-



Signal Naming:
B##/[NC/FUNC]/P#.##
B## = i.MX28 298-ball BGA ball/pin number
NC = No connect on i.MX283 processor
FUNC = dedicated function on 10K36, or i.MX28 dedicated function
P#.## = GPIO port bank and pin